

SERIES **4/5**
470/477/478
570/577/578

LED TV

Installation manual

imagine the possibilities

Thank you for purchasing this Samsung product.
To receive more complete service, please register
your product at

www.samsung.com/register

Model _____ Serial No. _____



Figures and illustrations in this User Manual are provided for reference only and may differ from actual product appearance. Product design and specifications may be changed without notice.

Introduction

This TV has functionality that lets it interact with a set-back box (SBB/STB) and with other TVs in a computer controlled system for hotels and other hospitality businesses.

Interactive : When the TV is powered-up initially, it sends a command to identify the connected SBB/STB. If it identifies the SBB/STB, the TV switches to ONLINE mode which gives full control of the TV to the SBB/STB.

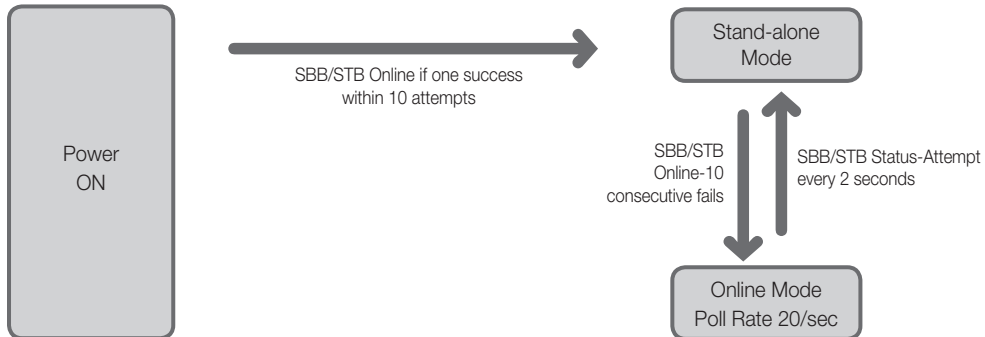
When the TV is in ONLINE mode, it stops accepting IR (Samsung remote) commands and acts according to the interface protocol.

Stand-Alone: If you are not using an SBB/STB and the TV cannot or does not identify an SBB/STB, you should switch the TV to STAND-ALONE mode with restricted operation.

Operational Modes

When this TV is in Hotel mode and is operated with an SBB/STB, it is in one of two states: ONLINE or STAND-ALONE

- In the STAND-ALONE state, the TV will act as a Hotel TV, but without active communication. This is to prevent guests from trying to cheat the system by disconnecting the SBB/STB.



To set the options for Stand-alone or Interactive (Online) mode, refer to pages 17-21 (Setting the hotel option data : Menu Items.)

- You can restrict all (or some) operations to prevent guests from "cheating" the TV system.
- You can set Volume limits and lock or unlock the Panel buttons.

Still image warning

Avoid displaying still images (such as jpeg picture files) or still image elements (such as TV channel logos, panorama or 4:3 format images, stock or news bars or crawl/s) on the screen. Displaying still pictures continually can cause uneven screen wear, which will affect image quality. To reduce the chance that this effect will occur, please follow the recommendations below:

- Avoid displaying the same TV channel for long periods.
- Always try to display a full screen image.
- Reduce brightness and contrast to help to prevent the occurrence of after-images.
- Use all TV features designed to reduce image retention and screen burn-in. Refer to the proper user manual section for details.

Securing the Installation Space

When you install the TV, maintain the distances shown below between the TV and other objects (walls, cabinet sides, etc.) to ensure proper ventilation. Failing to do so may result in a fire or problems with the TV caused by an increase in its internal temperature.

🔧 When using a stand or wall-mount, use parts provided by Samsung Electronics only.

- If you use parts provided by another manufacturer, it may cause a problem with the product or cause the product to fall, leading to serious injury.



Additional Information

🔧 The appearance of the TV and its accessories may differ from the illustrations in this manual, depending on the TV.

🔧 Be careful when you touch the TV if it is on or has been on for a period of time. Some parts can be hot.

Contents

- Introduction 2
- Operational Modes 2
- Still image warning 2
- Securing the Installation Space 2
- Additional Information 2
- Accessories 4
- Installing the LED TV Stand 5
- Assembling the swivel (32 inch TVs or larger) 7
- The Control Panel 8
- The Connection Panel 9
- The Remote Control 11
- Connecting the TV with an SBB or STB 12
- B-LAN (HG478/578) 14
- Connecting the RJP (Remote Jack Pack) 15
- Setting the Hotel Option Data 17
- Installing the Wall Mount 32
- Anti-theft Kensington Lock 33
- Specifications 34
- Dimensions 35

Symbols Used in this Manual

 **TOOLS** 

Indicates that you can press the TOOLS button on the remote control to use this function.





Note




One-Touch Button

Accessories

 Please make sure the following items are included with your LED TV. If any items are missing, contact your dealer.

 The items' color and shape may vary, depending on the model.

 The parts for the stand are listed under Stand Components on the following page.

- Remote Control (AA59-00628A) & Batteries (AAA x 2)
- Owner's Instructions
- Safety Guide / Quick Setup Guide (Not available in all locations)
- Hotel Mount Kit
- Power Cord
- Data Cable (BN39-00865B, BN39-01011C : except 478/578 model)



4 EA (M4 X L12)

- Security Screws
- Bit tool (sold separately)

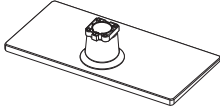
Installing the LED TV Stand

The 32" and larger LED TVs have swivel stands. You can set these stands so that the TVs swivel 20 degrees left and right, 60 degrees left and right, or 90 degrees left and right. See page 7. The 26" LED TVs do not have swivel stands.

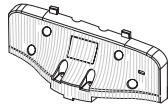
Components

When installing the stand, use the provided components and parts.

A 1 EA



B 1 EA



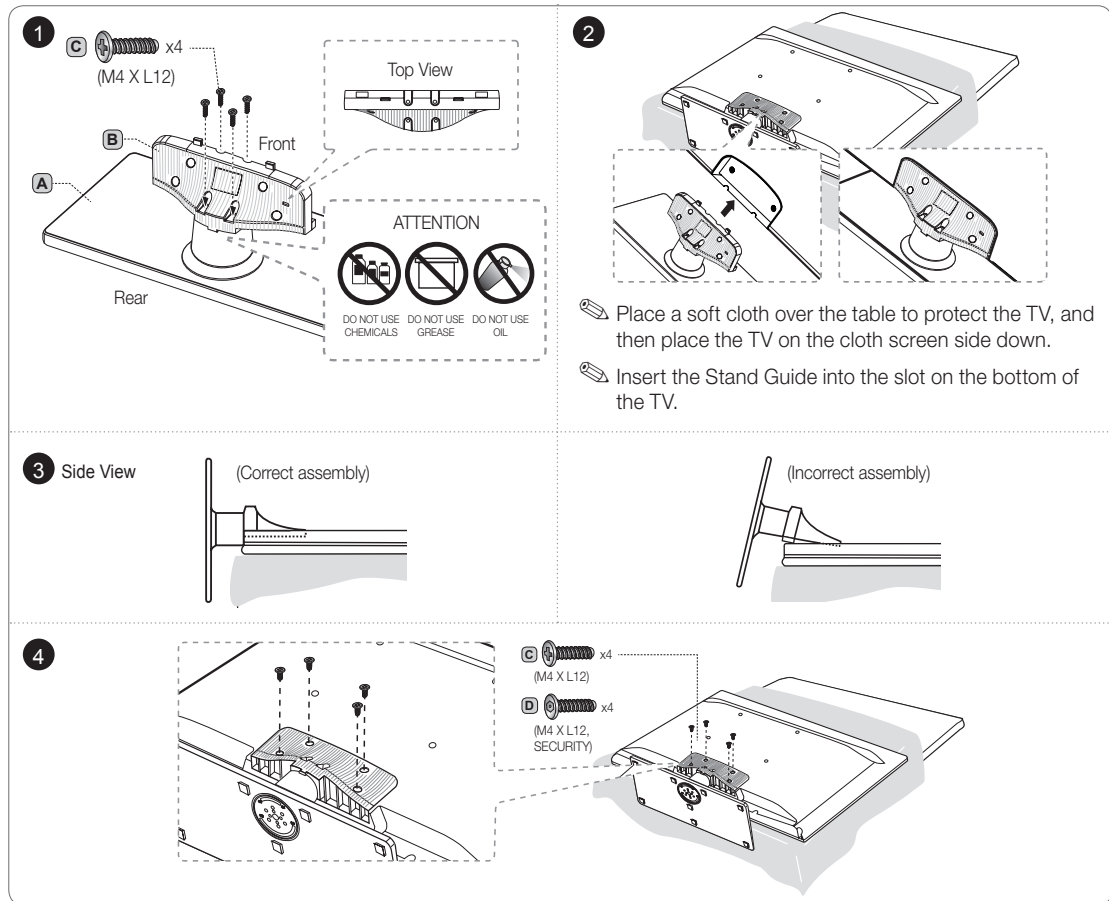
C  x8 (M4 X L12)

D  x4 (M4 X L12, SECURITY)

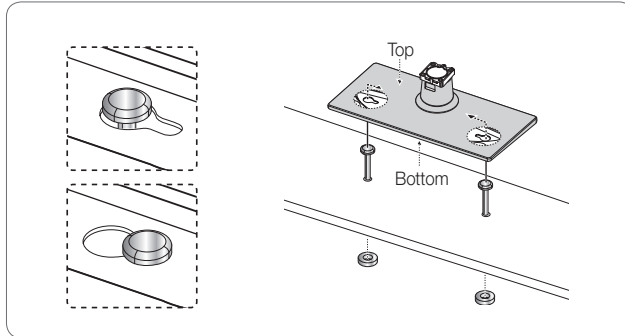
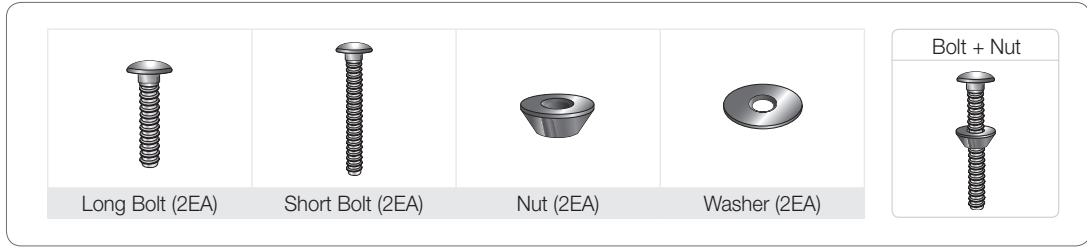
• Stand (depending on the model)

• Guide Stand

• Screws



Hotel Mount Kit



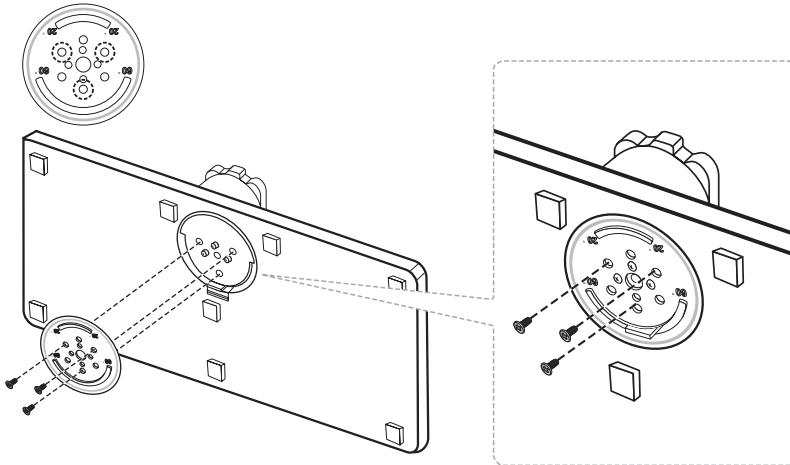
Affixing the stand to a flat surface such as a dresser top, desk top, or entertainment center.

- ⚠ Make sure to distinguish between the front and back of the Stand and Stand Guide when assembling them.
- ⚠ Make sure that at least two people lift and move the TV.

Assembling the swivel (32 inch TVs or larger)

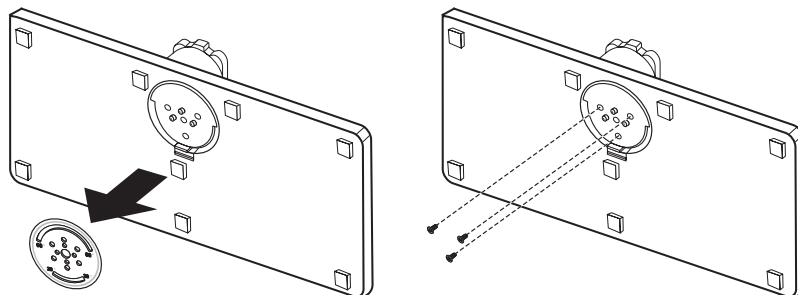
60° swivel

Leaving the BRACKET HOLDER SWIVEL unchanged lets the TV swivel 20° left and right. Rotating the BRACKET HOLDER SWIVEL 180°, and then assembling the stand as shown below lets the TV swivel 60° left and right.



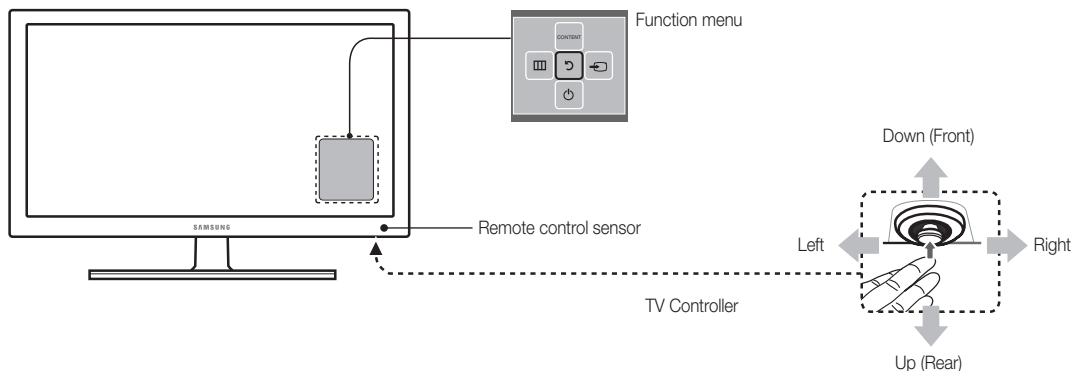
90° swivel

Removing the BRACKET HOLDER SWIVEL and assembling the stand as shown below without the BRACKET HOLDER SWIVEL lets the TV swivel 90° left and right.



Using the TV's Controller

- The color and shape of the TV Controller may vary depending on the model.
- The TV's Controller, a small joy stick like button on the bottom right side of the TV, lets you control the TV without the remote control.



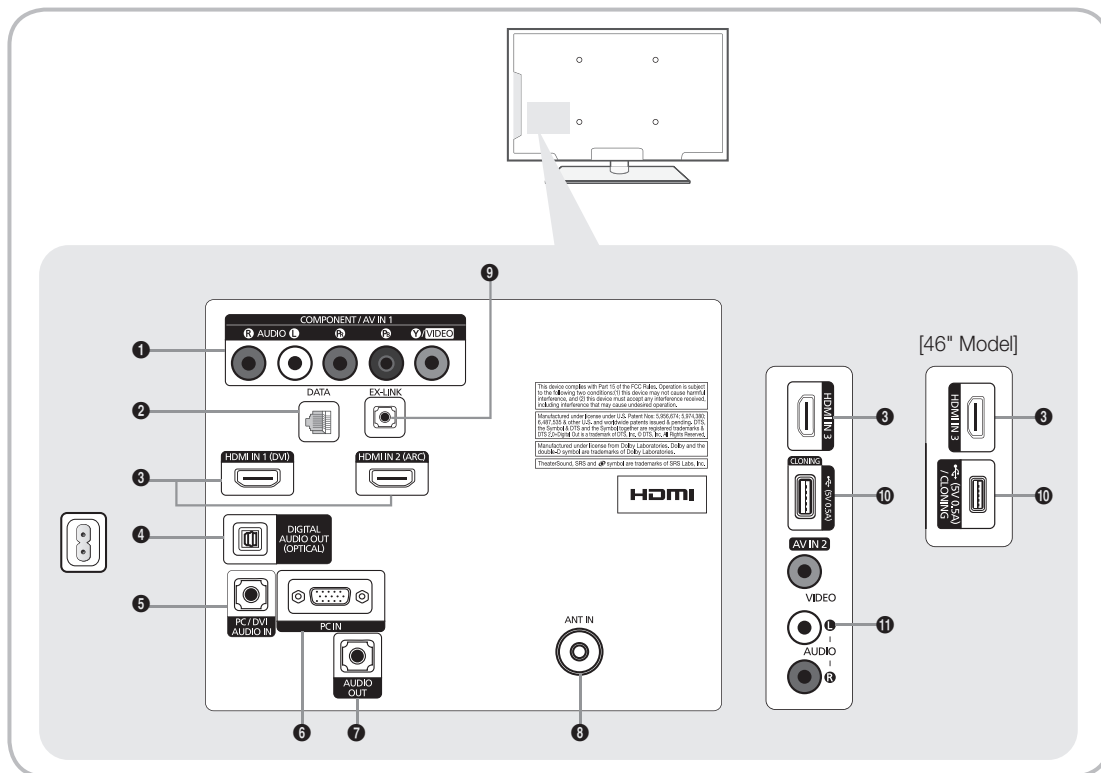
Power on	Turn the TV on by pressing the Controller when the TV is in standby mode.
Adjusting the volume	Adjust the volume by moving the Controller from side to side when the power is on.
Selecting a channel	Select a channel by moving the Controller backwards and forwards when the power is on.
Using the Function menu	To view and use the Function menu, press and release the Controller when the power is on. To close the Function menu, press and release the Controller again.
Selecting the MENU (III)	With the Function menu visible, select the MENU (III) by moving the Controller to the left. The OSD (On Screen Display) Menu appears. Select an option by moving the Controller to the right. Move the Controller to the right or left, or backwards and forwards to make additional selections. To change a parameter, select the it, and then press the Controller.
Selecting Contents Home (CONTENT)	With the Function menu visible, select Contents Home (CONTENT) by moving the Controller backwards. The Contents Home main screen appears. Select an application by moving the Controller, and then pressing the Controller.
Selecting a Source (SOURCE)	With the Function menu visible, open the Source (SOURCE) screen by pushing the Controller to the right. The Source screen appears. To select a source, move the Controller back and forth. When the source you want is highlighted, press the Controller.
Power Off (OFF)	With the Function menu visible, select Power Off (OFF) by pulling the Controller forwards, and then press the Controller.

- To close the Menu, Contents Home, or Source, press the Controller for more than 1 second.

Standby mode

Your TV enters Standby mode when you turn it off, and continues to consume a small amount of electric power. To be safe and to decrease power consumption, do not leave your TV in standby mode for long periods of time (when you are away on vacation, for example). It is best to unplug the power cord.

The Connection Panel



- Whenever you connect an external device to your TV, make sure that power on the TV and the device is turned off.
- When connecting an external device, match the color of the connection terminal to the cable.

1 COMPONENT IN / AV IN1 (46" Model: COMPONENT IN / AV IN)

- Connect audio cables to "R-AUDIO-L" on your TV and the other ends to corresponding audio out jacks on an A/V device.
- Connects Component video / audio.
- The **COMPONENT IN** jack is also used as the **VIDEO 1** jack.
- Connect component video cables (optional) to the component jacks ("Pr", "Pb", "Y") on the rear of your TV and the other ends to corresponding component video out jacks on a DVD player.
- If you wish to connect both the Set-Top Box and a DVD player, you should connect the Set-Top Box to the DVD and connect the DVD to the component jacks ("Pr", "Pb", "Y") on your TV.
- The PR, PB and Y jacks on your component devices (DVD) are sometimes labeled Y, B-Y and R-Y or Y, Cb and Cr.
- Connect RCA audio cables (optional) to "R - AUDIO - L" on the rear of the TV set and the other ends to corresponding audio out jacks on the external device.
- When connecting to **AV IN**, the color of the **AV IN [Y/VIDEO]** jack (Green) does not match the color of the video cable (Yellow).

2 DATA

- Used to support data communication between the TV and the SBB.
- Connects using RJ-12 TV type plugs.

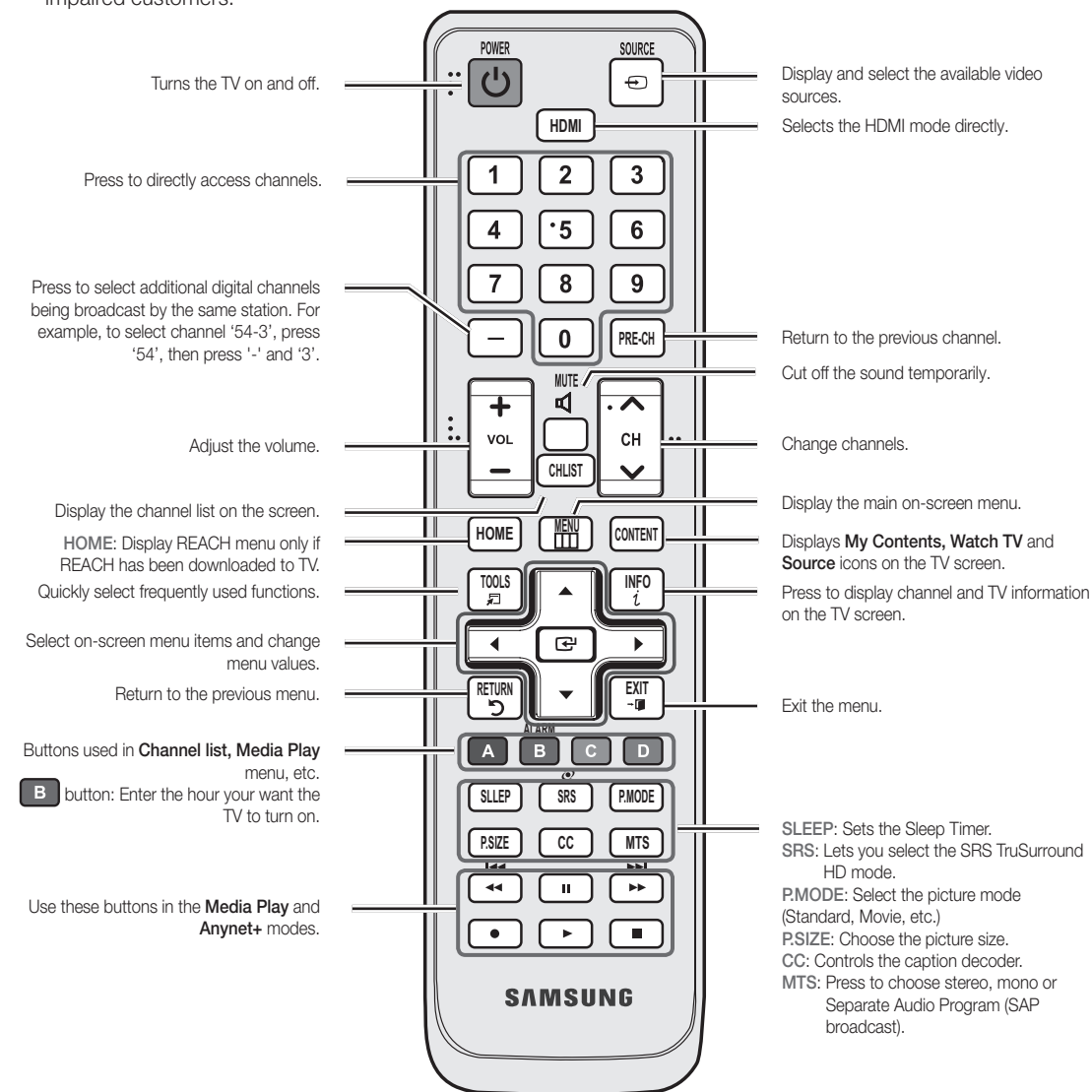
3 HDMI IN 1 (DVI), 2, 3 / PC/DVI AUDIO IN : Connects to the HDMI jack of a device with an HDMI output.

- No sound connection is needed for an HDMI to HDMI connection. HDMI connections carry both audio and video.
- Use the **HDMI IN 1** jack for a DVI connection to an external device. Use a DVI to HDMI cable or DVI-HDMI adapter (DVI to HDMI) for the video connection and the **PC/DVI AUDIO IN** jacks for audio.

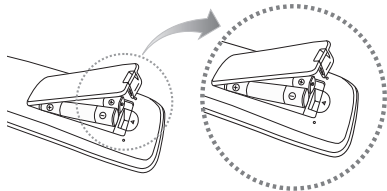
- ④ **DIGITAL AUDIO OUT (OPTICAL):** Connects to a Digital Audio component.
- ⑤ **PC / DVI AUDIO IN:** Connect to the audio output jack on your PC.
- ⑥ **PC IN:** Connect to the video output jack on your PC.
- ⑦ **AUDIO OUT:** Connects to the audio input jacks on an Amplifier/Home Theater.
- ⑧ **ANT IN**
 - To view television channels correctly, the TV must receive a signal from one of the following sources:
 - An outdoor antenna / A cable television system / A satellite receiver
- ⑨ **EX-LINK :** Connect this jack to the jack on the optional RJP (Remote Jack Pack). This will allow you to connect external devices (Camcorder, PC, DVD players etc) easily.
- ⑩ **USB / CLONING**
 - Connector for software upgrades and Media Play, etc.
 - Service connection.
- ⑪ **VIDEO / R-AUDIO-L**
 - Connect a VIDEO cable to an appropriate external A/V device such a VCR, DVD, or Camcorder.
 - Connect audio cables to "R-AUDIO-L" on your TV and the other ends to corresponding audio out jacks on the A/V device.

The Remote Control

This remote control has Braille points on the Power, Channel, and Volume buttons and can be used by visually impaired customers.



Installing the batteries (Battery size: AAA)

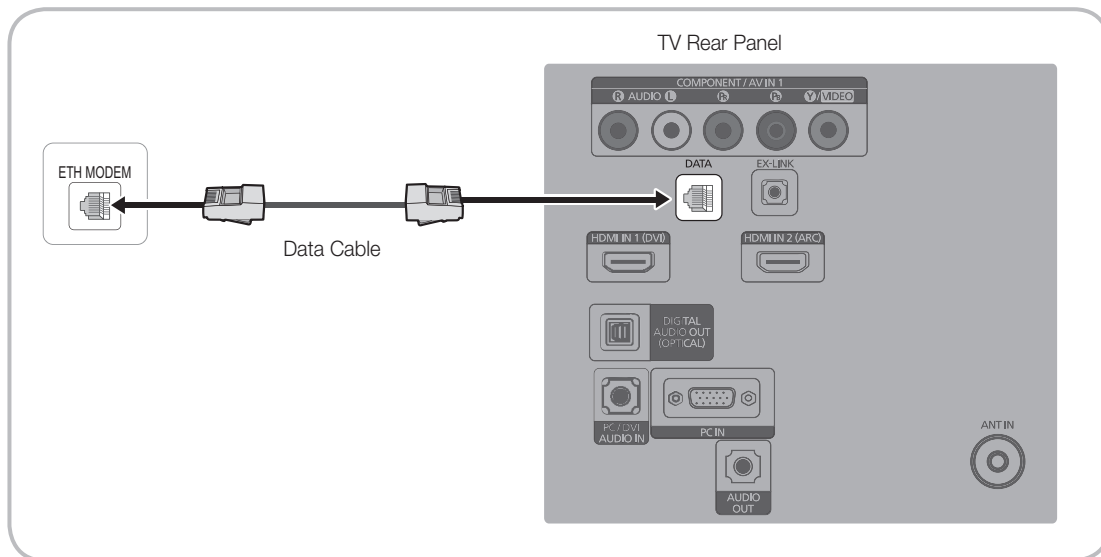


After you have installed the batteries, use a screwdriver to screw in the screw that holds the battery cover closed.


NOTE

- Use the remote control within 23~33 feet of the TV.
- Bright light may affect the performance of the remote control. Avoid using near fluorescent lights or neon signs.
- The color and shape of the remote may vary depending on the model.

Connecting the TV to an SBB or STB

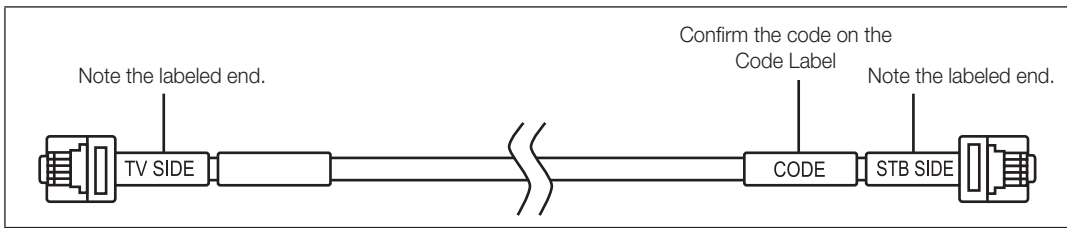


1. Connect the DATA jack of the TV to the ETH MODEM jack of the STB (SBB) with the Data cable.

 Data cables are polarized. Make sure you attach the end marked TV Side to the TV and the end marked STB Side to the STB. Also make sure you use the correct data cable for your vendor.

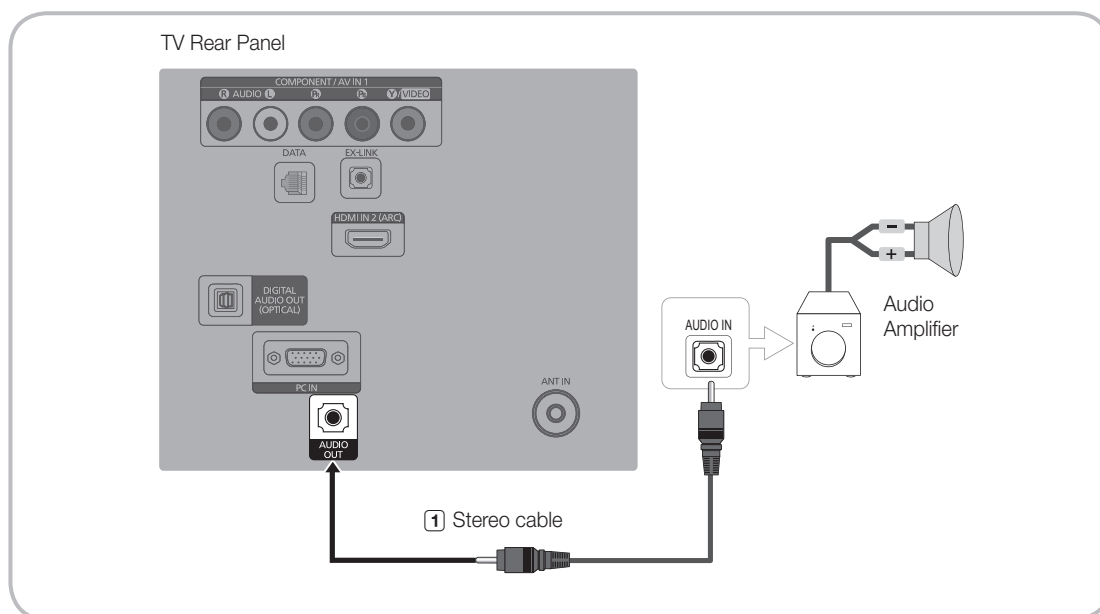
List of Vendors and Compatible Data Cables Supplied with the TV

- Confirm you are using the correct data cable for your vendor. Refer to the code label on the data cables.



Vendor	Cable code	Pin assign	Remark
OCC	BN39-00865B		Provided
NXTV	BN39-01011B		
nStreams	BN39-01110A		
MTI	BN39-01011C		LodgeNet MTI Provided

Connecting the Audio Output to an Audio Amplifier



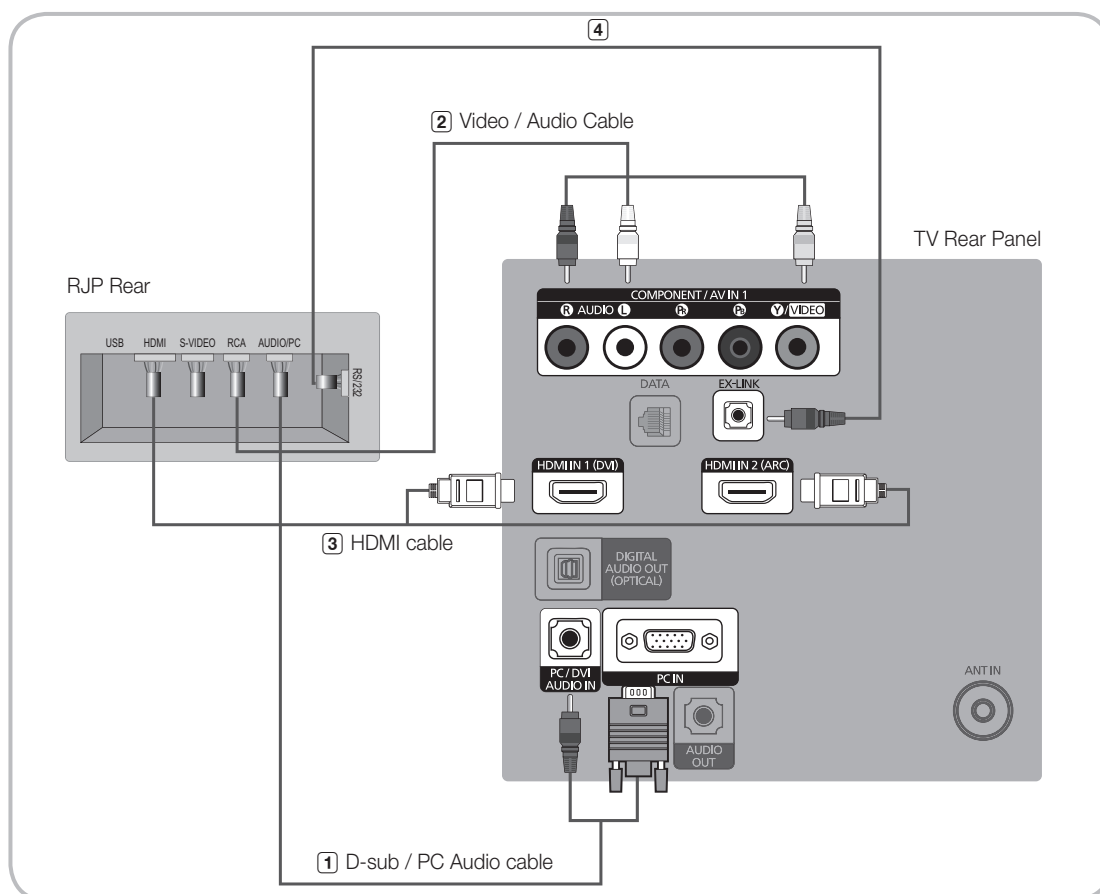
1. Connect the **AUDIO OUT** port of the TV to the **Audio In** port of an audio amplifier with a stereo cable.


B-LAN Model (HG478/HG578)

- The TV is controlled by the external network.
- Hotel Plug & Play is not supported in B-LAN models (HG478/578).

Connecting the RJP (Remote Jack Pack)

Connect the input jacks on the TV to the RJP. The RJP lets guests connect audio and video sources to the TV.



1. Connect the PC IN / PC/DVI AUDIO IN port of the TV to the PC/AUDIO port of the RJP.
 2. Connect the AV IN [VIDEO]/[R-AUDIO-L] port of the TV to the RCA port of the RJP.
 3. Connect the [HDMI] port of the TV and the HDMI port of the RJP.
 4. Connect the EX-LINK port of the TV and the RS/232 port of the RJP.
-  The RJP (Remote Jack Pack) compatible with this Samsung TV is the TeleAdapt TA-7610.


- **RJP (Remote Jack Pack):** RJP stands for Remote Jack Pack. The RJP is a hardware module that has different Audio Video inputs (A/V, Audio, PC and HDMI) and corresponding outputs. The corresponding outputs are connected from the RJP to the TV. The RJP communicates with the TV via RS232. A Hot Plug & Play function allows hotel guests to connect an external source to the RJP. The RJP communicates with the TV by sending messages regarding Active/Inactive sources.

A group of menu items, RJP Priority AV, RJP Priority PC, and RJP Priority HDMI, let you assign numbered priorities to the jacks of the RJP. 1 is the highest priority and 3 is the lowest. When a guest connects external sources to the RJP jacks, the TV will automatically switch between sources based on the priority you have assigned them in the Menu. For example, lets say AV is set to 1 and HDMI to 2. If a guest has attached a device to the HDMI jack, and then plugs a device into the AV jack, the TV automatically switches to the device plugged into the AV jack (the jack with the higher priority). Note that a guest can also switch between devices manually by pushing a button on the RJP.


 You connect the RJP to HDMI 1, 2, or 3 or AV 1 or 2.

 When the TV is on, connect the TV and the RJP within 10 seconds.


- The RJP can be returned to the factory default settings by pressing the A/V and HDMI buttons simultaneously for 10 seconds. All LEDs blink 5 times, acknowledging that the reset has been performed
- The RJP will automatically turn off any LEDs after 5 minutes to avoid unnecessary light pollution in the hotel room. The LEDs that were turned off will turn on again if the guest touches any of the buttons and the 5 minute timer will restart. If the guest then touches another source button, the TV will change to the selected source and the corresponding LED will be lit.
- After an RJP Reset or a TV Power OFF/ON, it takes approximately 10 seconds to establish communications between the TV and the RJP.
- The following table shows the approximate time in seconds it takes to switch from the TV to an input source, based on assigned or default priorities.

 Scenario 1: When no inputs are connected.

Source	To Connect
AV	2 Sec
PC	0.7 Sec
HDMI	3.9 Sec

 Scenario 2: When two or more inputs are connected and an Input source is disconnected and then reconnected.

Source	Disconnect	To Connect	Total
AV	4.5 Sec	2 Sec	6.5 Sec
PC	0.7 Sec	0.7 Sec	1.4 Sec
HDMI	3.9 Sec	3.9 Sec	7.8 Sec

 An example: If the RJP has all its live sources (AV, PC, and HDMI) connected, AV has been assigned the highest priority, the RJP is in HDMI mode, and a guest removes and reconnects the AV source, the minimum time required to switch to the AV source is 6.5 seconds.

- To connect audio (Ipod or Mp3), Music mode should be ON.
- A/V, PC, and HDMI input sources are supported.

Setting the Hotel Option Data

To let you control how the TV functions when in Hotel mode, the TV has two Hotel mode menus, the Stand-alone mode menu and the Interactive mode menu. The menu items that differ between the menus are listed below,

Items in the Standalone menu only:

- SIRCH Update Time
- Manual SIRCH
- SIRCH Channel
- SIRCH Version

Items in the Interactive menu only:

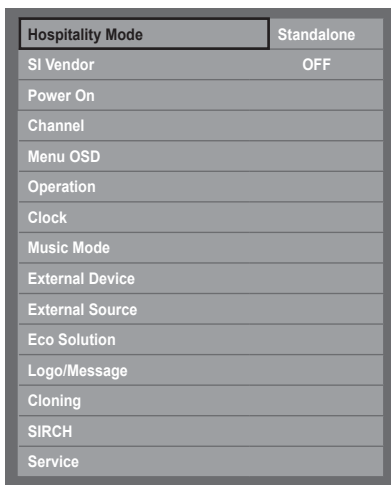
- SI Vendor
- Lodgenet Remote (If you selected MTI or EBL as your SI Vendor)

All other items appear in both menus.

To access the menus, press **MUTE** → 1 → 1 → 9 → **ENTER** on your Samsung remote.

After a menu appears, follow these general directions to navigate and change values:


- Use the Up and Down arrow buttons on the standard remote to move from menu item to menu item.
- Press the Enter or Left or Right arrow buttons to select a menu item. The screen displays that menu item only.
- Press the Left or Right arrow button to change a value. The Right arrow button increases numerical values. The Left arrow button decreases numerical values.
- When the screen is displaying one menu item, you can press the Up or Down arrow button to display the next or previous menu item.
- Press the Return button to exit a menu item and return to the Main menu.
- To exit a Hotel mode menu, turn off the TV, and then turn it on again. Any changes you made are saved except changes to SI Vendor. For changes to SI Vendor, you must turn the TV off, wait until the Standby light glows steadily, then unplug the TV, wait for the Standby light to go off, and then plug the TV in again.



Above: The Hotel mode menu.

To change menus, follow these steps:

1. Highlight the Hospitality Mode menu item in the top left corner of the menu.
2. Press the left or right arrow button on the Samsung remote. Only the Hospitality Mode menu item is displayed.
3. Press the left or right arrow button to change the Hospitality Mode item from Standalone to Interactive or from Interactive to Standalone.
4. Press the Return or Menu button on the remote. The entire menu re-appears with your selection displayed in the Hospitality Mode field.

 After you have set the values in one TV, you can clone those values to multiple TVs. See USB Cloning on page 24.

Menu Items

To Enter this menu: Press the **MUTE** → **1** → **1** → **9** → **ENTER** buttons in order.

To Exit from this menu : AC Power off, and then turn on again. Any changes you made are saved.

Menu	Item	initial Value	Description
Hospitality Mode	Hospitality Mode	Standalone	Select the Hospitality mode. <ul style="list-style-type: none"> • Standalone • Interactive
	SI Vendor	Samsung	Available in the Interactive menu only. Select the SI Vendor. <ul style="list-style-type: none"> • Samsung / OCC / MTI / Nstreams / NXTV / Enseio / Cardinal / Guestek / SeaChange / EBL
Power On	Power On Channel EN	Last Saved	Set the default values, which will be applied when the TV is turned on. <ul style="list-style-type: none"> • User Defined : Refers to the settings configured for Power On Channel, Channel Type. • Last Saved : Refers to the last saved settings.
	Power On Channel	3	When the TV is turned on, it switches automatically to this channel when in Stand Alone Hospitality mode.
	Channel Type	...	Channel search CABLE and AIR. <ul style="list-style-type: none"> • ATD, DTV : ON-AIR • CATV (Cable Analog TV), CDTV (Cable Digital TV) : CABLE TV
	Power On Volume EN	Last Saved	Set the default volume values which will be applied when the TV is turned on. <ul style="list-style-type: none"> • User Defined : Uses the settings configured for Power On Volume. • Last Saved : Uses the last saved settings.
	Power On Volume	...	TV will switch on at this Volume Level in Stand Alone Hospitality mode.
	Min Volume	0	Minimum Volume Level user can set in Stand Alone Hospitality mode.
	Max Volume	100	Maximum Volume Level user can set in Stand Alone Hospitality mode.
	Panel Button Lock	Unlock	Front panel (Local key) operation on/off. <ul style="list-style-type: none"> • Unlock : Unlock all panel keys • Lock : Lock all panel keys • Power : Lock all panel buttons except Power • Menu/Source : Lock Menu and Source
	Power On Source	TV	Select the input source the TV displays when it is turned on.
	Power On Option	Last Option	Determines the TV's state when power returns after a power failure or after you have unplugged the TV and then plugged it in again. - LAST OPT: Returns to its last Power state. If it was in Stand-by, it returns to Stand-by. If it was on, it turns on.
Channel	Channel Setup		You can use the Channel menu option in the OSD.
	Channel Editor		Edit Channel Number and Name.
	Dynamic SI	ON	<ul style="list-style-type: none"> • On : Check the DTV Program channel number. (DTV channel editor is inaccessible) • Off : No check of the DTV Program channel number. (DTV channel editor is accessible, but additional channel program number update is not supported)

Menu	Item	initial Value	Description
Menu OSD	Picture Menu Lock	OFF	Enable or disable the Picture Menu.
	Menu Display	ON	<ul style="list-style-type: none"> On : Main Menu displays. Off : Main Menu does not display.
Operation	Panel Button Lock	Unlock	<p>Front panel (Local key) operation on/off.</p> <ul style="list-style-type: none"> Unlock : Unlock all panel keys Lock : Lock all panel keys Power : Lock all panel buttons except Power Menu/Source : Lock Menu and Source
Clock	Local Time	Manual	<p>Select the way to update clock data.</p> <ul style="list-style-type: none"> Manual: Manual clock setting (without updating from TTX data)
Music Mode	Music Mode AV	OFF	To get music output from an mp3/audio player through an AV Input Source. When on, you can hear sound from the player through the TV even there is no video signal. The TV's backlight, however, remains on. And add a video signal, it works normally.
	Music Mode PC	OFF	To get music output from an mp3/audio player through a PC Input Source. When on, you can hear sound from the player through the TV even there is no video signal. The TV's backlight, however, remains on. And add a video signal, it works normally.
	Music Mode Comp	OFF	To get music output from an mp3/audio player through a Component Input Source. When on, you can hear sound from the player through the TV whether even there is no video signal. The TV's backlight, however, remains on. And add a video signal, it works normally.
	Music Mode Backlight	OFF	When set to Off, the TV's backlight is turned off entirely when a guest uses the Music mode. To save energy, set to Off.
External Device	7610 Priority AV	1	Lets you set the priority of the 7610 RJP AV jack. You can choose 1, 2, or 3, with 1 being the highest and 3 the lowest. The TV automatically displays the source with the higher priority. For example, lets say AV is set to 1 and HDMI is set to 2. If a guest has attached a device to the HDMI jack, and then plugs a device into the AV jack, the TV will automatically switch to the device plugged into the AV jack (the jack with the higher priority). Note that a guest can also switch devices manually by pushing a button on the 7610 RJP.
	7610 Priority PC	2	Lets you set the priority of the 7610 RJP PC jack. You can choose 1, 2, or 3, with 1 being the highest and 3 the lowest. The TV automatically displays the source with the higher priority. See above for a more detailed explanation.
	7610 Priority HDMI	3	Lets you set the priority of the 7610 RJP HDMI jack. You can choose 1, 2, or 3, with 1 being the highest and 3 the lowest. The TV automatically displays the source with the higher priority. See above for a more detailed explanation.
	7610 AV Option	AV1	Select RJP AV Source. (AV1/AV2)
	RJP HDMI Option	HDMI1/DVI	Select RJP HDMI Source. (HDMI1/HDMI2/HDMI3)
	HDMI Music Mode	OFF	To get music output from an mp3/audio player through a HDMI Input Source. When on, you can hear sound from the player through the TV whether there is a video signal or not. (This option is only compatible with the Guest link RJP.)
	Sound Bar Out	OFF	ON/OFF sound bar out. Refer to Page 31.

Menu	Item	initial Value	Description
External Source	USB Media Mode	Defalut	When USB is connected to the TV, <ul style="list-style-type: none"> • Default : Popup window appears. • Automatic : Enters the USB contents menu automatically. • Disable : Neither the pop-up window or nor the menu appears..
	External Source Banner	ON	Displays the External Source information when you change the TV source to external input. Press the info key and the TV turns on. <ul style="list-style-type: none"> • On : The External Source information is displayed on the TV screen. • Off : The External Source information is not displayed on the TV screen.
	Auto Source	OFF	<ul style="list-style-type: none"> • On : When an external source is connected to the TV, the TV will auto ident and switch the input source. • PC : Auto Ident PC Input only. • Off : Auto Source is Off.
	Anynet+ Return Source	Power On Src	Select Return Source for Guest-Link RJP (HDMI-CEC).
Eco Solution	Energy Saving	OFF	This feature adjusts the brightness of the TV to reduce power consumption. <ul style="list-style-type: none"> • Off: Turns off the energy saving function. • Low: Sets the TV to low energy saving mode. • Medium: Sets the TV to medium energy saving mode. • High: Sets the TV to high energy saving mode.
Logo/ Message	Welcome Message	OFF	Display the Welcome Message for 5 seconds when the TV turns On.
	Edit Welcome Message		Edit Welcome Message.
	Hospitality Logo	OFF	Turns the Hospitality logo feature on/off. The Logo is shown during the initial turn on for the amount of time set in the "Logo Display Time"
	Hospitality Logo DL	...	Hospitality Logo Download. (File name required: samsung.bmp/avi, Max file size: BMP 960 x 540 / AVI 30MB, File Type: BMP/AVI)
	Logo Display Time	...	Hospitality Logo Display Time (3/5/7 seconds).
Cloning	Clone TV to USB		Clone the current TV option values to a USB memory device.
	Clone USB to TV		Clone the saved TV option values in a USB memory device to the TV.
	Setting Auto Initialize	OFF	If you set Setting Auto Initialize to On, and the TV's power is turned off and on, guest side menu items are restored to their cloned values. See page 30.


Menu	Item	initial Value	Description
SIRCH	SIRCH update Time	12:00 PM	Available in the Standalone menu only. SIRCH (Samsung Interactive Remote Control for Hospitality) is a professional interactive remote controller for DTV that lets you deliver TV firmware updates, cloning data, and channel mapping changes to several hundred hospitality TVs simultaneously. SIRCH is sold separately.
	SIRCH Update Immediate	On	<ul style="list-style-type: none"> On : Whenever TV goes to Stand-By mode, always works SIRCH Update Off : Only works SIRCH Update on selected SIRCH Update Time
	Manual SIRCH		Upgrade SIRCH Clone / Binary by manual
	SIRCH Channel	87	Select SIRCH Update Channel
	SIRCH Version	0000	Display the current SIRCH Clone version
	SIRCH Group ID	ALL	Select SIRCH Group ID
	REACH	Off	REACH Display On/Off
	IPG Room Type	Default	Select IPG Room Type
Service	CAS	Pro:idiom	Select CAS.
	PI AES DATA	0x0000	Displays the state of Pro:Idiom operation.
	Self Diagnosis		Enter Self Diagnosis Menu. <ul style="list-style-type: none"> Picture Test: Use to check for picture problems. If the problem appears in the test picture, select Yes and follow the directions on the screen. Sound Test: Use the built-in melody sound to check for sound problems. If the problem occurs during the test, select Yes and follow the directions on the screen.
	PI AES Log	OFF	Displays the state of Pro:Idiom AES operation.
	View PI AES Log	...	Display/Save Pro:Idiom AES log.
	SW Upgrade		Upgrade the TV SW. Refer to page 30.
	Service Pattern	Off	Display SVC pattern.
	ATV Calble AGC Gain	0	Control AGC Gain for ONLY SVC.
	DTV OpenCalble AGC Gain	0	Control AGC Gain for ONLY SVC.
TV Reset		Reset the TV. Same as Factory Reset in Factory option.	

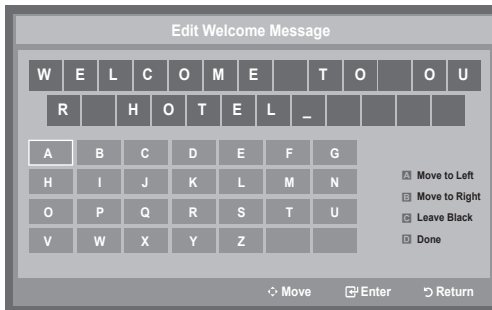
Welcome Message

The Welcome Message feature displays a custom message on the TV every time it is turned on.

- Welcome message settings are in the Hotel Option Menu.
- Set Welcome Message to ON to display the message when the TV is powered on.

Welcome Message	OFF
Edit Welcome Message	
Hospitality Logo	OFF
Hospitality Logo DL	-
Logo Display Time	-

- You can make the Welcome Message up to 25 characters long and edit it in the Hotel Service menu.
- Welcome Message supports the following characters:
 -  Capital Letters from A to Z.
- You can edit the Welcome Message by using the remote's navigation, color, and Enter buttons in the "Edit Welcome Message" OSD (See the illustration below.)



Below are the general directions for navigating and changing letters on the Edit Welcome Message screen:

- Press the A button on the remote to move to the left in the message.
- Press the B button to move to the right.
- After you have selected a position in the message, use the arrow buttons on your remote to select a letter in the alphabet below the message.
- Press Enter to place a letter into the position you selected.
- Press the C button to erase a letter in a position or enter a blank.
- Press Return or the D button to exit.

Hospitality Logo

The Hospitality Logo function displays the Hotel's picture image when the TV is powered on.

- Hospitality Logo settings are in the Hotel mode menus.
 - The Logo Download and Logo Display Menu items are enabled when you turn the Hospitality Logo option on.
 - If there is a logo image stored in the memory and Hospitality Logo option is on, the Hospitality logo is displayed when the TV is turned on.
 - The Hospitality logo is not displayed when the Hospitality Logo option is off, even if the logo image has been loaded into the TV.
- **Hospitality Logo**
 - This option lets you choose whether the Hospitality Logo image is displayed or not.
 - Initial value is OFF.
 - Can be set to OFF or ON.
 - When set to ON, the Logo Download and Logo Time Display menu items become accessible.
 - **Logo Download**
 - This option lets you download the logo image to the TV's memory from a USB device.
 - **Wait** appears while the image is being copied to the TV.
 - **Completed** appears when the copy operation has finished successfully.
 - **Failed** appears when the copy operation was unsuccessful.
 - **No USB** appears if no USB device is connected.
 - **No File** appears if there is no file to copy on the USB device or the file is in the wrong format (must be a BMP file). If No File appears and you have a logo file on the USB device, check the file format.
 - **Logo File Format**
 - The TV supports only the BMP and AVI format.
 - The file name must be samsung.bmp or samsung.avi.
 - The maximum resolution of the BMP format is 960 x 540.
 - The maximum file size of AVI format is 30MB.
 - The TV does not change the size or scale of the image.

USB Cloning

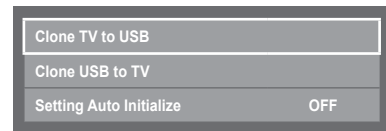
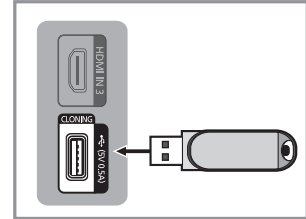
The USB Cloning function lets you download user configured settings (**Picture, Sound, Input, Channel, Setup, and Hotel Setup**) from one TV to a USB device, and then upload these settings from the USB device to other TV sets. This lets you create a standard array of settings and distribute that standard array to all the TVs in your facility.

- **Cloning from TV to USB:** Copies stored menu settings from a TV to a USB device.


1. Insert a USB drive into the **USB** port on the rear of the TV.
2. Enter the hotel option menu by pressing these buttons in order. **MUTE** → **1** → **1** → **9** → **ENTER**
3. Press the **▲** or **▼** button to select **Clone:TV to USB**, and then press the **ENTER** button.
4. The message **Clone: TV to USB** is displayed. Press the **ENTER** button.
5. The TV displays one of the following messages:
 - **In Progress:** Copying data to USB.
 - **Completed:** Copy operation was successful.
 - **Failed:** Copy operation was not successful.
 - **No USB:** USB is not connected.

The clone folder will be labeled T-MST4AUSCB.

 The cloned values include the values on the Guest side menu (brightness, picture size, contrast, etc.) and the Hotel side menu.



Cloning from USB to TV: Copies menu settings in a USB device to a TV.

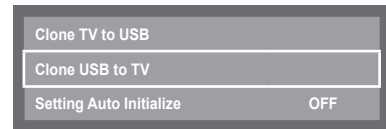
 **Shortcut:** Turn the TV off, insert the USB device, turn the TV on, and then press the **ENTER** button for 5 seconds.

To clone data to the TV using the Hotel menu, follow these steps:

1. Turn the TV off.
2. Insert the USB drive into the USB port on the rear of the TV.
3. Turn the TV on.
4. Enter the Interactive menu by pressing these buttons in order. **MUTE** → **1** → **1** → **9** → **ENTER**
5. Press the **▲** or **▼** button to select "Clone USB to TV", and then press the **ENTER** button.
6. The message **Clone: USB to TV** is displayed. Press the **ENTER** button.
7. The TV displays one of the following messages:
 - **In Progress:** Copying data to TV.
 - **Completed:** Copy operation was successful.
 - **Failed:** Copy operation was not successful.
 - **No USB:** USB is not connected
 - **No File:** There is no file to copy on the USB device. If you get a No File message, check the folder on your USB device. The folder name should be T-MS T4AUSCB.

 If you insert the USB device when the TV is on, a pop-up window may appear. If this occurs, press Exit, and then continue.

 Tables that list the settings that are cloned in the Interactive and Standalone Hotel Menus begin on the next page.



- Settings Cloned in the Hotel Menu

Menu Item	Cloning Support	Applicable Region
Hospitality Mode	Yes	All
SI Vendor	Yes	All except Brazil
Power On Channel EN	Yes	All
Power On Channel	Yes	All
Channel Type	Yes	All
Power On Volume EN	Yes	All
Power On Volume	Yes	All
Min Volume	Yes	All
Max Volume	Yes	All
Power On Source	Yes	All
Power On Option	Yes	All
Channel Setup	N/A	All except Hospital
Channel Editor	N/A	All
Channel Bank Editor	N/A	Smooovie SI and Hospital
Channel Bank Service Level	Yes	Hospital Models Only
Mixed Channel Map	Yes	EU
Dynamic SI	Yes	US and US Hospital
Channel Rescan Message	Yes	EU and EU Hospital
Pan Euro MHEG	Yes	EU and EU Hospital
Channel Auto Store	N/A	Hospital Models Only
Mychannel En	Yes	EU and EU Hospital
Genre Editor	N/A	EU and EU Hospital
Picture Menu Lock	Yes	All
Menu Display	Yes	All
Channel Menu Display	Yes	ASIA Models only
Panel Button Lock	Yes	All
Mute On CC	Yes	US Hospital Only
Subtitle Auto On	Yes	EU and EU Hospital
SW Clock	Yes	EU and EU Hospital
Local Time	Yes	EU and EU Hospital
Time Format	Yes	EU and EU Hospital
CLOCK Normal Dim.	Yes	EU
CLOCK Standby Dim.	Yes	EU
Music Mode AV	Yes	All
Music Mode PC	Yes	All
Music Mode Comp	Yes	All
Music Mode Backlight	Yes	All
7610 Priority AV	Yes	All
7610 Priority PC	Yes	All
7610 Priority HDMI	Yes	All
7610 AV Option	Yes	All


Menu Item	Cloning Support	Applicable Region
RJP HDMI Option	Yes	All
HDMI Music Mode	Yes	US and US Hsopital
Sound Bar Out	Yes	All
Video Out	Yes	ASIA Models only
USB Media Mode	Yes	US and EU
External Source Banner	Yes	All
Auto Source	Yes	All
Anynet+ Return Source	Yes	All Models except Hospital
Sub Amp Mode	Yes	All except US
Sub Amp Volume	Yes	All except US
Pillow Speaker Type	Yes	Hospital Models Only
Speaker Select	Yes	Hospital Models Only
Pillow Volume	Yes	Hospital Models Only
Energy Saving	Yes	All
Energy Saving Timer	Yes	EU
Welcome Message	Yes	All
Edit Welcome Message	N/A	All
Hospitality Logo	Yes	All
Hospitality Logo DL	N/A	All
Logo Display Time	Yes	All
Clone TV to USB	N/A	All
Clone USB to TV	N/A	All
Setting Auto Initialize	Yes	All
SIRCH Update Time	Yes	All except Brazil/ASIA_READY
SIRCH Update Immediate	Yes	All except Brazil/ASIA_READY
Manual SIRCH	N/A	All except Brazil/ASIA_READY
SIRCH Channel	Yes	All except Brazil/ASIA_READY
SIRCH Version	N/A	All except Brazil/ASIA_READY
SIRCH Group ID	No	US
REACH	Yes	All except Brazil/ASIA_READY
IPG Room Type	No	Guestek
CAS	Yes	US and US Hsopital
PI AES Data	N/A	US and US Hsopital
Self Diagnosis	N/A	All
PI AES Log	Yes	US and US Hsopital
View PI AES Log	N/A	US and US Hsopital
SW Upgrade	N/A	All
Service Pattern	Yes	All
ATV Cable AGC Gain	Yes	US and US Hsopital
DTV OpenCable AGC Gain	Yes	US and US Hsopital
TV Reset	N/A	All

Multi Code Remocon

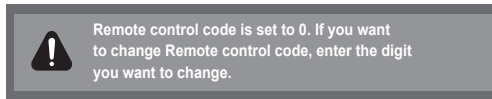
A Multi Code Remocon is a special remote which is designed to control multiple TVs.

This function is useful where there is more than one TV in a location.

You can control up to 10 TVs, each with a different ID code, with one remote. ID numbers are displayed on each TV's OSD. The Initial ID code for each TV is "0".

- You can set and reset the ID code in Analog TV mode or PC mode. (Not available in DTV mode.)
 - You can set the ID code to any digit from 0 to 9.
 - To set a TV's ID code, follow these steps:
 1. Aim the remote at the TV, and then press the Blue button on the remote for more than 7 seconds. The TV displays the current ID in the middle of the screen and displays the words. "Remote control code is set to x. If you want to change the Remote control code, enter the digit you want to change."
 2. Press the number on the remote you want to assign to the TV. The TV displays the following words: "Remote control code is changed to x."
-  The TV will display the OSD until you press the Exit button.

See the example below.



Example: After you see the message above, if you press 1, the TV and Remote will be set to ID code 1. The TV then displays the following message: "Remote control code is changed to 1"

The TV can then only be controlled by a remote which has the same ID code (1).

- If the ID code of the remote and TV do not match, the TV displays the following message: "TV ID x"(x is the TV's ID)
- To reset the ID code, press the Yellow button for more than 7 seconds. The ID codes of the TV and Remote are reset to "0". "Remote control code is set to 0." appears on the TV.

Setting Auto Initialize

When you clone settings from one TV to another, you clone both guest side menu and hotel side menu settings (Picture, Sound, Input, Channel, Setup, and Hotel Setup). This lets you set nearly all the menu values on your hospitality TVs to the same, standard settings. If you allow guests access to the guest side menus, for example, the Picture menu, they can change the settings in those menus so they are no longer standard. If you set the Setting Auto Initialize function on, the TV automatically restores (initializes) any guest side menu values to the cloned, standard values when the TV is turned off and then turned on again. Note that Setting Auto Initialize works on cloned guest side menu values only. Settings which have not been cloned are ignored.

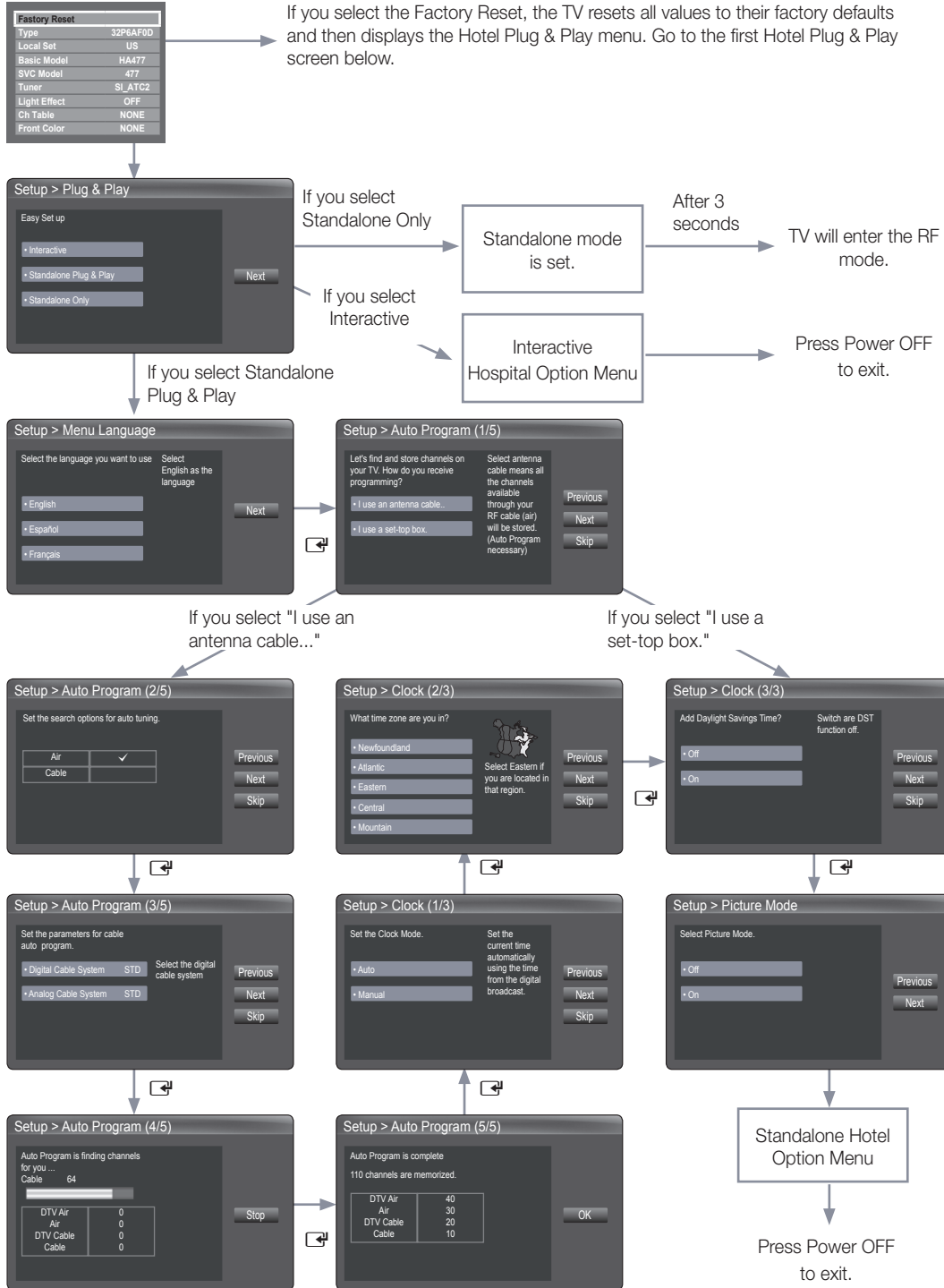
The table below lists the settings that are restored to their cloned values when you set the Setting Auto Initialize function on.

Menu	Menu Item	Menu	Menu Item
Picture Menu	Picture Mode	Sound Menu	Sound Mode
	Backlight		Sound Effect
	Contrast		SRS TruSurround HD
	Brightness		SRS TruDialog
	Sharpness		Equalizer
	Color		Broadcast Audio Options
	Tint (G/R)		Preferred Language
	Screen Adjustment		Multi-Track Sound
	Picture Size		SPDIF Output
	Advanced Settings		Audio Format
	Dynamic Contrast		Audio Delay
	Black Tone		Speaker Settings
	Flesh Tone		Speaker Select
	RGB Only Mode		Auto Volume
	Color Space		Menu Language
	White Balance	Eco Solution	
	Gamma	Energy Saving	
	Motion Lighting	No Signal Power Off	
	Picture Option	Auto Power Off	
	Color Tone	Caption	
Digital Noise Filter	Caption		
MPEG Noise Filter	Caption Mode		
HDMI Black Level	Digital Caption Options		
Film Mode	Auto Protection Time		
	General		
	Game Mode		
	Boot Logo		
	Anynet+ (HDMI-CEC) : Depend on the model.		
	Anynet+ (HDMI-CEC)		
	Auto Turn Off		
	Receiver		
		System Menu	

Hotel Plug & Play

Hotel Plug & Play function automatically performs the Hotel mode selection, Country Setup, Clock Setup, and Picture mode Setup runs once, when power is first turned ON. Setup also runs automatically after you have executed a Service Reset.

• UI Scenario



- **Hotel Plug & Play OSD**
 - Initial Highlight: Interactive
 - If you select the Standalone Only button, the Standalone hotel mode is set by default and the "Standalone mode is set" OSD appears for 3 seconds.
 - TV enters into RF mode automatically after displaying "Standalone mode is set" OSD for 3 seconds.
 - If you select the Interactive mode, the Interactive Setup Menu is displayed. Press the power off key to exit from the Interactive menu.
 - If you select the Standalone Plug & Play mode, the "Select Menu Language" OSD appears.

- **Select Menu Language OSD**
 - If you select Standalone from the "Select Hotel TV Mode" OSD, the "Select Menu Language" OSD appears.
 - Initial Highlight : English
 - Display time: OSD timeout and operation are the same as Samsung's consumer TV models.
 - If you press the Enter key, the "Select Country" OSD appears

- **Clock Mode OSD**
 - Initial Highlight: Auto.
 - Display time: 30 seconds.
 - The Clock Set item OSD appears if you select Manual.
 - If you press the Enter key after setting the clock, or while in Auto clock set, the Picture Mode OSD appears.

- **Set daylight saving time OSD**
 - Initial Highlight: Off
 - If you press the Enter key, the Select the DST area OSD appears.

- **Picture Mode OSD**
 - Initial Highlight: Dynamic.
 - The TV displays the Picture Mode OSD where you can choose the Dynamic or a Standard Picture mode.
 - After you select the picture mode, the TV displays the Standalone Setup Menu OSD. Press power off to exit.

- **Auto Search Mode OSD**
 - If you select the Skip option, the TV displays the Clock Mode OSD.
 - If you press the Enter key, the TV auto searches for channels.
 - The OSD Display time, which starts at the time that Auto Store is completed goes to the time Auto Sort starts, is 30 seconds.

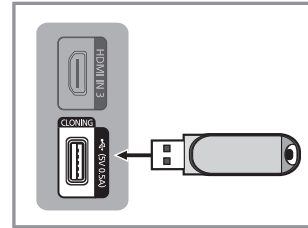
USB SW Upgrade Method

Samsung may offer upgrades to the TV's SW in the future. Please contact the Samsung Hospitality Hotline at 1-866-894-0524 to receive information about downloading upgrades and using a USB drive to update the SW by connecting the USB drive containing the upgrade to the USB port located on the TV.

When the software is upgraded, video and audio settings you have made will return to their default (factory) settings. We recommend you clone the hotel settings so that you can easily reset them after the upgrade.

To upgrade the TV's software, follow these steps:

1. Insert a USB drive containing the SW upgrade into the **USB** port on the side of the TV.
2. Press the **MENU** button to display the menu.
Press the **▲** or **▼** button to select **Support**, and then press the **ENTER** button.
3. Press the **▲** or **▼** button to select **SW Upgrade**, and then press the **ENTER** button.
The message "**Scanning for USB. This may take more than 1min.**" is displayed.
4. The message "**Upgrade version XXXX to version XXXX? The system will be reset after upgrade.**" is displayed.
Press the **◀** or **▶** to select the **OK**, and then press the **ENTER** button.



Please be careful to not disconnect the power or remove the USB drive while upgrades are being applied. The TV will turn off and turn on automatically after completing the SW upgrade. Please check the SW version after the upgrades are complete.

Sound Bar

• Samsung Sound-Bars and Hospitality TVs in 2012

- Samsung Sound-Bars and hospitality TVs support the ARC feature in HDMI 1.4. If you connect a compatible Samsung Sound-Bar to a compatible Samsung hospitality TV using a single HDMI cable, guests can listen to the TV's sound through the Sound-Bar.
- Models supporting the ARC function are listed below:
 - Sound-Bars: HW-E350/E450/E550

• Setting the Sound-Bars to Hotel Mode.

1. Set the following Hotel menu options:
 - Hotel option > External Device > Sound Bar Out = On.
 - Hotel option > Power On > Power On Volume EN = User Defined.
 - Hotel option > Power On > Power On Volume > Set greater than 0.
 - Hotel option > Power On > Max Volume > Set greater than 0.
2. Connect an HDMI cable from the HDMI OUT jack on the back of Sound-Bar to the HDMI port (supporting ARC) on the hospitality TV.
3. After the Sound-Bar is connected to the hospitality TV, when the TV turns on, the Sound-Bar automatically detects the TV, and then automatically switches to Hotel Mode.

Sound Bar Hotel mode functional characteristics:

- Power On/Off is synchronized with the TV
- HDMI_CEC defaults to On
- Functions through the "HDMI OUT" port only
- Disables the "Input mode" key on the VFD to prevent unexpected audio-source changes.
- Acquires adjustable Power On and Max Volume settings from the TV's Hotel option menu. The Sound-Bar's Power On Volume and Max Volume values, however, are ½ of the Power On Volume and Max Volume settings in the TV's Hotel option menu. Example: If the TV's Power On Volume=20 and Max Volume=90, then the Sound Bar's Power On Volume=10 and Max Volume=45.


Installing the Wall Mount

Installing the Wall Mount Kit

The wall mount kit (sold separately) allows you to mount the TV on a wall.

For detailed information on installing the wall mount, see the instructions provided with the wall mount. Contact a technician for assistance when installing the wall mount bracket. Samsung Electronics is not responsible for any damage to the product or injury to yourself or others if you elect to install the TV on your own.

Wall Mount Kit Specifications (VESA)

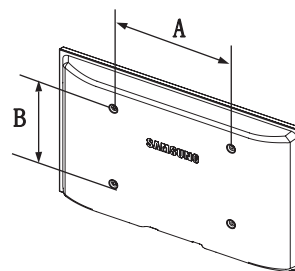
 The wall mount kit is not supplied, but sold separately.

Install your wall mount on a solid wall perpendicular to the floor. When attaching to other building materials, please contact your nearest dealer. If installed on a ceiling or slanted wall, TV may fall and result in severe personal injury.

NOTE

- Standard dimensions for wall mount kits are shown in the table below.
- Samsung wall mount kits contain a detailed installation manual. All parts necessary for assembly are provided.
- Do not use screws that do not comply with the VESA standard screw specifications.
- Do not use screws that are longer than the standard dimension or do not comply with the VESA standard screw specifications. Screws that are too long may cause damage to the inside of the TV set.
- For wall mounts that do not comply with the VESA standard screw specifications, the length of the screws may differ depending on the wall mount specifications.
- Do not fasten the screws too firmly. This may damage the product or cause the product to fall, leading to personal injury. Samsung is not liable for these kinds of accidents.
- Samsung is not liable for product damage or personal injury when a non-VESA or non-specified wall mount is used or the consumer fails to follow the product installation instructions.
- Our 57" and 63" models do not comply with VESA Specifications. Use Samsung's dedicated wall mount kit for these models.
- Do not mount the TV at more than a 15 degree tilt.
- Always have two people mount the TV onto a wall.

Product Family	TV size in inches	VESA screw hole specs (A * B) in millimeters	Standard Screw (Length* Pitch in mm)	Quantity
LED-TV	19~22	75 X 75	M4 (10~15 * 0.7)	4
	26	100 X 100		
	32~40	200 X 200	M6 (10~15 * 1.0)	
	46	400 X 400	M8 (10~15 * 1.25)	



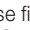


Do not install your Wall Mount Kit while your TV is turned on. It may result in personal injury due to electric shock.

Anti-theft Kensington Lock


The Kensington Lock is a device you can use to physically fix a TV to a location when you use it in a public place. The appearance and locking method may differ from the illustration at right, depending on the manufacturer. Refer to the manual provided with the Kensington Lock for additional information on proper use.


The Kensington Lock is not supplied by Samsung.

 Please find a “” icon on the rear of the TV. A Kensington slot is beside the “” icon.

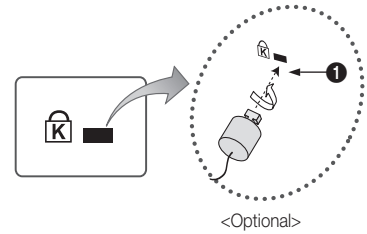
To lock the product, follow these steps:

1. Wrap the Kensington lock cable around a large, stationary object such as desk or chair.
2. Slide the end of the cable with the lock attached through the looped end of the Kensington lock cable.
3. Insert the locking device into the Kensington slot on the product **1**.
4. Lock the lock.

 These are general instructions. For exact instructions, see the User manual supplied with the locking device.

 The locking device has to be purchased separately.

 The location of the Kensington slot may be different depending on the TV model.




Specifications

Environmental Considerations	50°F to 104°F(10°C to 40°C) 10% to 80%, non-condensing -4°F to 113°F(-20°C to 45°C) 5% to 95%, non-condensing	
Operating Temperature		
Operating Humidity		
Storage Temperature		
Storage Humidity		
Model Name	HG26NA470 HG26NA477	HG32NA470 HG32NA477 HG32NA478
Display Resolution	1366 x 768	
Screen Size (Diagonal)	26" Class (26.0" measured diagonally)	32" Class (31.5" measured diagonally)
Sound (Output)	5W x 2	
Dimensions (WxDxH)		
Body	24.2 X 3.6 X 14.3 inches (615.1 X 92.9 X 365.6 (mm))	29.0 X 3.6 X 17.1 inches (738.8 X 93.2 X 436.7 (mm))
With stand	24.2 X 7.1 X 16.5 inches (615.1 X 180.7 X 419.2 (mm))	29.0 X 7.5 X 19.7 inches (738.8 X 191.7 X 500.8 (mm))
Weight		
Without Stand	9.2 lbs (4.2 kg)	12.7 lbs (5.8 Kg)
With Stand	10.5 lbs (4.8 kg)	17.3 lbs (7.8 Kg)
Stand Swivel (Left / Right)	0°	
Model Name	HG40NA570 HG40NA577 HG40NA578	HG46NA570 HG46NA577 HG46NA578
Display Resolution	1920 x 1080	
Screen Size (Diagonal)	40" Class (40.0" measured diagonally)	46" Class (45.9" measured diagonally)
Sound (Output)	10W x 2	
Dimensions (WxDxH)		
Body	36.5 X 3.6 X 21.6 inches (927.6 X 93.0 X 551.0 (mm))	41.7 X 3.7 X 24.6 inches (1059.8 X 94.3 X 625.6 (mm))
With stand	36.5 X 8.9 X 23.8 inches (927.6 X 227.6 X 607.0 (mm))	41.7 X 8.9 X 26.8 inches (1059.8 X 227.6 X 681.2 (mm))
Weight		
Without Stand	19.8 lbs (9.0 kg)	27.5 lbs (12.5 kg)
With Stand	26.2 lbs (11.9 kg)	33.9 lbs (15.4 kg)
Stand Swivel (Left / Right)	20° L and R or 90° L and R	

 Design and specifications are subject to change without prior notice.

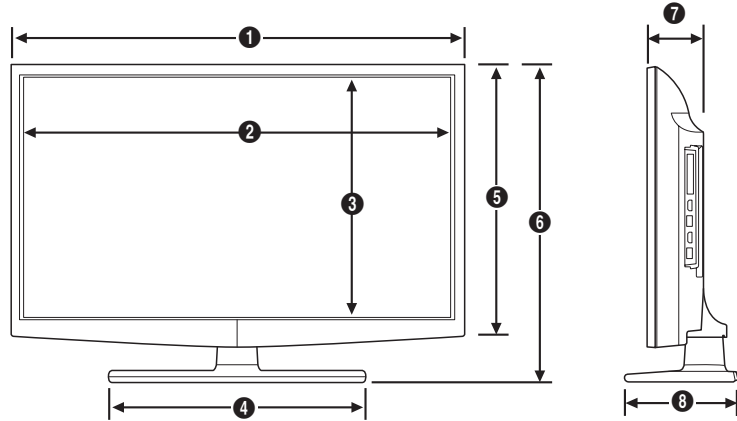
 This device is a Class B digital apparatus.

 For information about the power supply and more about power consumption, refer to the label attached to the product.

Dimensions

HG26NA470 / HG26NA477

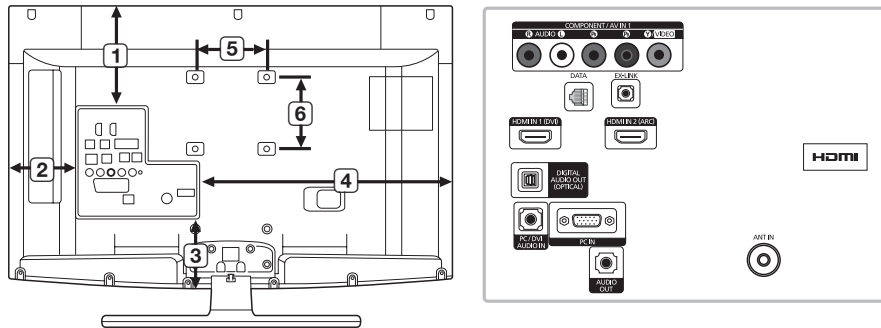
- Front view / Side view



(Unit: inches)

1	2	3	4	5	6	7	8
24.4	22.7	12.7	14.1	15.6	17.7	3.7	7.1

- Jack panel detail / Rear view

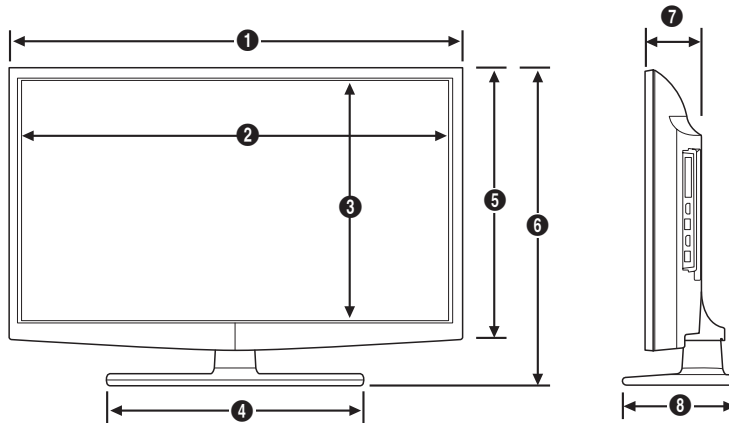


(Unit: inches)

1	2	3	4	5	6
5.5	3.6	3.8	13.9	3.9	3.9

HG32NA470 / HG32NA477 / HG32NA478

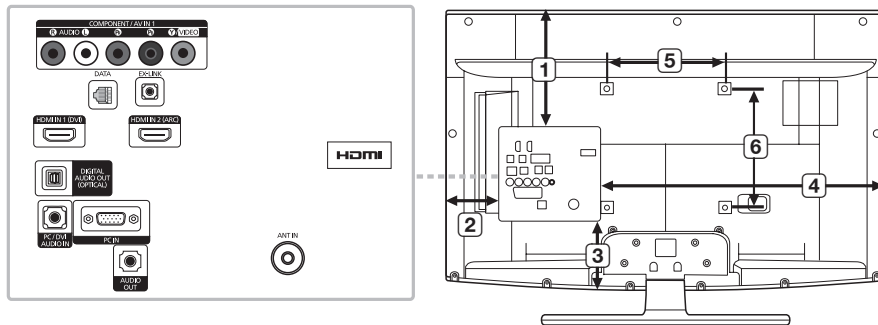
- Front view / Side view



(Unit: inches)

1	2	3	4	5	6	7	8
29.3	27.5	15.5	16.5	18.3	20.6	3.7	7.5

- Jack panel detail / Rear view

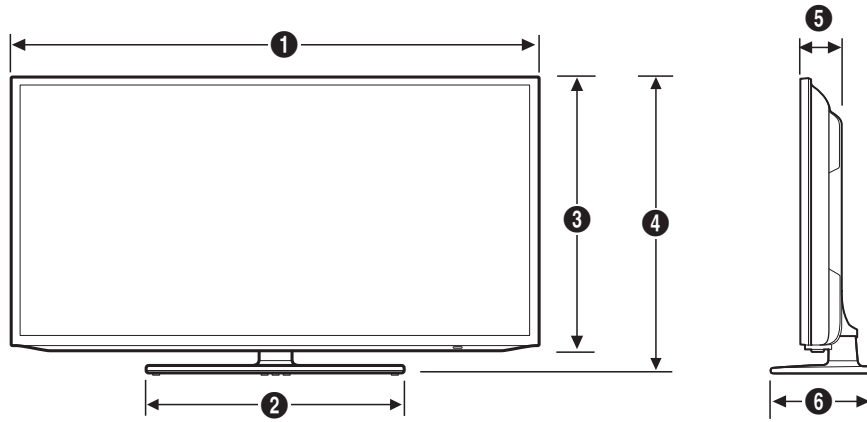


(Unit: inches)

1	2	3	4	5	6
7.5	3.5	4.6	19.0	7.8	7.8

HG40NA570 / HG40NA577 / HG40NA578

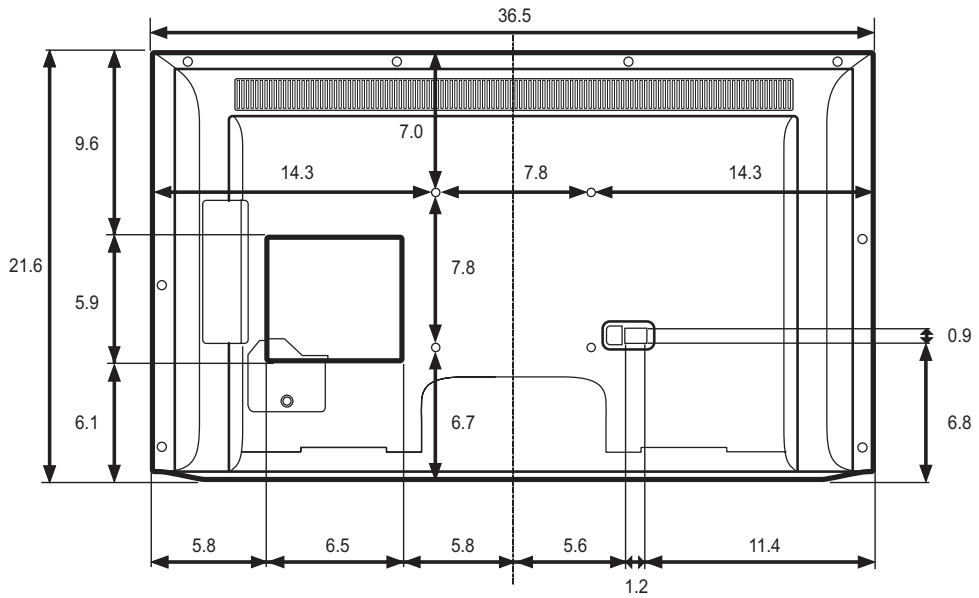
- Front view / Side view



(Unit: inches)

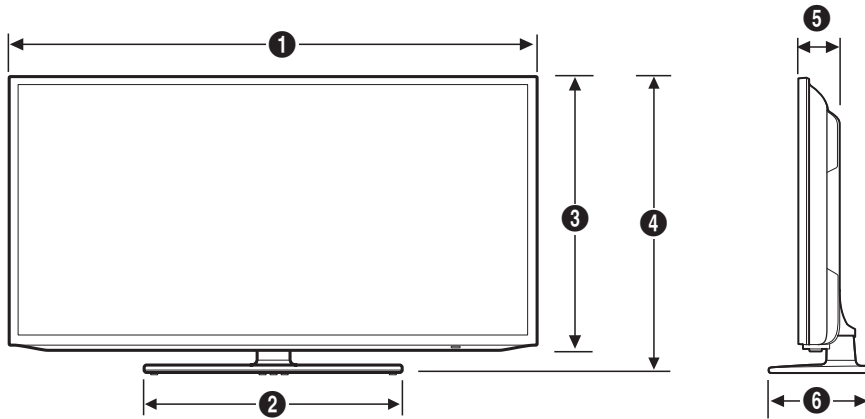
1	2	3	4	5	6
36.5	20.3	21.6	23.8	3.6	8.9

- Jack panel detail / Rear view



HG46NA570 / HG46NA577 / HG46NA578

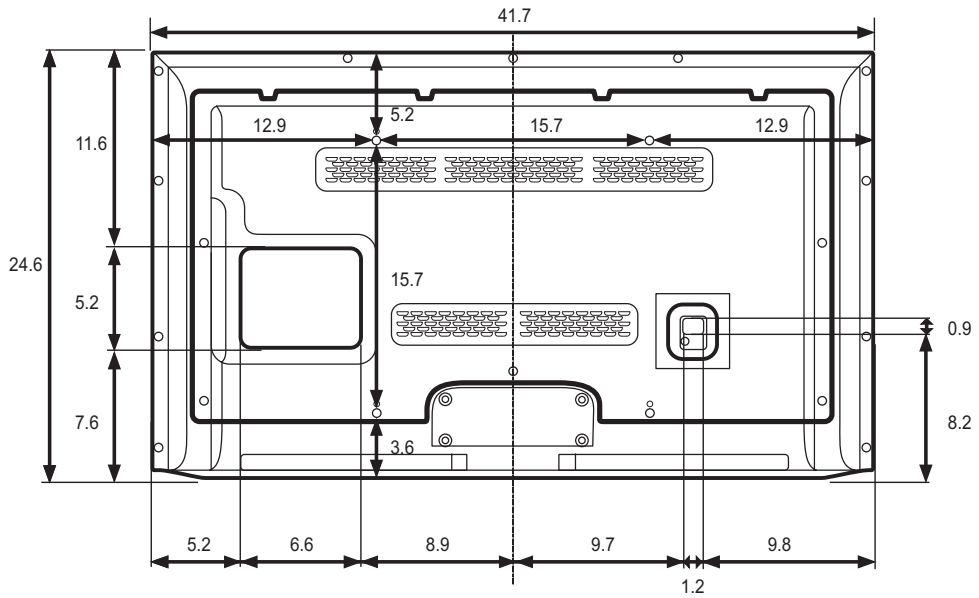
- Front view / Side view



(Unit: inches)

1	2	3	4	5	6
41.7	20.3	24.6	26.8	3.7	8.9

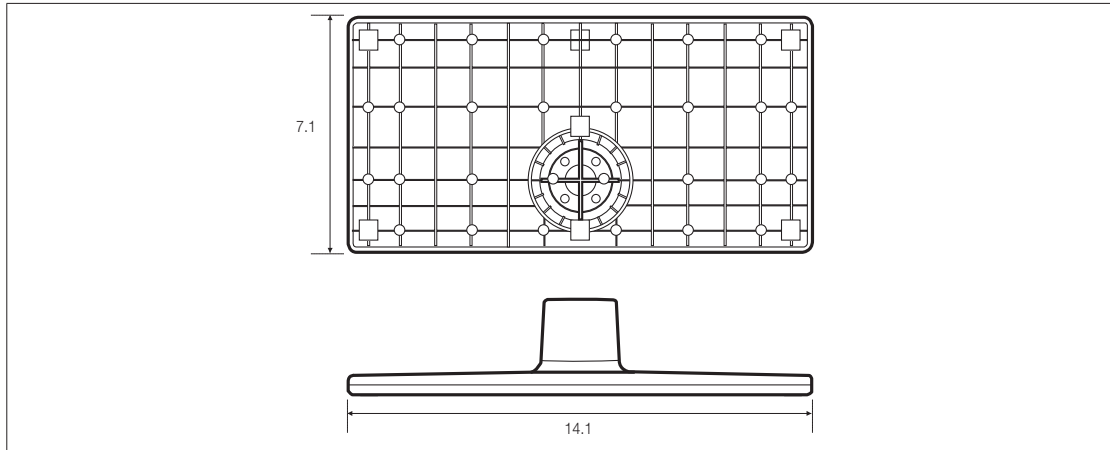
- Jack panel detail / Rear view



▪ Base Stand detail

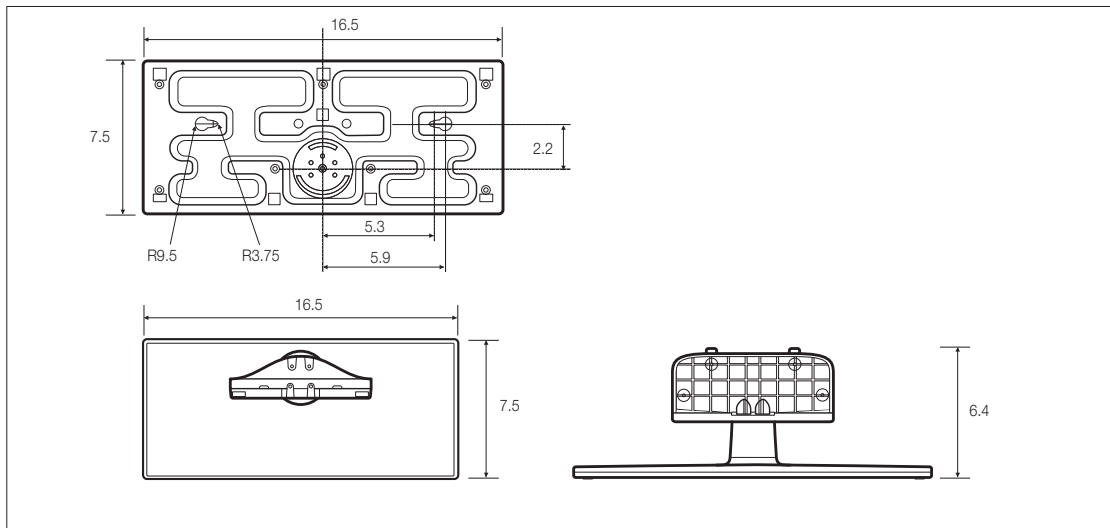
HG26NA470 / HG26NA477

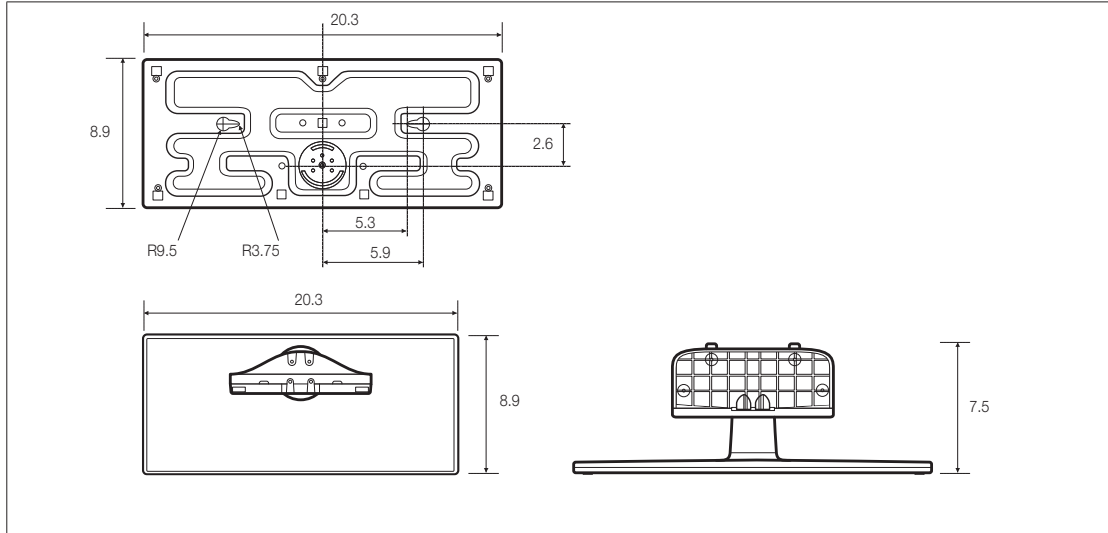
(Unit: inches)



HG32NA470 / HG32NA477 / HG32NA478

(Unit: inches)





NOTE: All drawings are not necessarily to scale. Some dimensions are subject to change without prior notice. Refer to the dimensions prior to performing installation of your TV. Not responsible for typographical or printed errors.

© 2011 Samsung Electronics America, Inc



Correct Disposal of This Product (Waste Electrical & Electronic Equipment)

(Applicable in the European Union and other European countries with separate collection systems)

This marking on the product, accessories or literature indicates that the product and its electronic accessories (e.g. charger, headset, USB cable) should not be disposed of with other household waste at the end of their working life. To prevent possible harm to the environment or human health from uncontrolled waste disposal, please separate these items from other types of waste and recycle them responsibly to promote the sustainable reuse of material resources. Household users should contact either the retailer where they purchased this product, or their local government office, for details of where and how they can take these items for environmentally safe recycling. Business users should contact their supplier and check the terms and conditions of the purchase contract. This product and its electronic accessories should not be mixed with other commercial wastes for disposal.



Correct disposal of batteries in this product

(Applicable in the European Union and other European countries with separate battery return systems)

This marking on the battery, manual or packaging indicates that the batteries in this product should not be disposed of with other household waste at the end of their working life. Where marked, the chemical symbols Hg, Cd or Pb indicate that the battery contains mercury, cadmium or lead above the reference levels in EC Directive 2006/66. If batteries are not properly disposed of, these substances can cause harm to human health or the environment. To protect natural resources and to promote material reuse, please separate batteries from other types of waste and recycle them through your local, free battery return system.

Important Warranty Information Regarding Television Format Viewing

See the warranty card for more information on warranty terms.

Wide screen format LED Displays (16:9, the aspect ratio of the screen width to height) are primarily designed to view wide screen format full-motion video. The images displayed on them should primarily be in the wide screen 16:9 ratio format, or expanded to fill the screen if your model offers this feature and the images are constantly moving. Displaying stationary graphics and images on screen, such as the dark sidebars on nonexpanded standard format television video and programming, should be limited to no more than 5% of the total television viewing per week.

Additionally, viewing other stationary images and text such as stock market reports, video game displays, station logos, web sites or computer graphics and patterns, should be limited as described above for all televisions. Displaying stationary images that exceed the above guidelines can cause uneven aging of LED Displays that leave subtle, but permanent burned-in ghost images in the LED picture. To avoid this, vary the programming and images, and primarily display full screen moving images, not stationary patterns or dark bars. On LED models that offer picture sizing features, use these controls to view different formats as a full screen picture.

Be careful in the selection and duration of television formats used for viewing. Uneven LED aging as a result of format selection and use, as well as burned-in images, are not covered by your Samsung limited warranty.

- SAMSUNG ELECTRONICS NORTH AMERICAN LIMITED WARRANTY STATEMENT**

Subject to the requirements, conditions, exclusions and limitations of the original Limited Warranty supplied with Samsung Electronics (SAMSUNG) products, and the requirements, conditions, exclusions and limitations contained herein, SAMSUNG will additionally provide Warranty Repair Service in the United States on SAMSUNG products purchased in Canada, and in Canada on SAMSUNG products purchased in the United States, for the warranty period originally specified, and to the Original Purchaser only.

The above described warranty repairs must be performed by a SAMSUNG Authorized Service Center. Along with this Statement, the Original Limited Warranty Statement and a dated Bill of Sale as Proof of Purchase must be presented to the Service Center. Transportation to and from the Service Center is the responsibility of the purchaser. Conditions covered are limited only to manufacturing defects in material or workmanship, and only those encountered in normal use of the product.

Excluded, but not limited to, are any originally specified provisions for, in-home or on-site services, minimum or maximum repair times, exchanges or replacements, accessories, options, upgrades, or consumables.

For the location of a SAMSUNG Authorized Service Center, please call toll-free:

– In the United States : 1-866-894-0524

– In Canada : 1-800-213-8513

License



TheaterSound, SRS and the  symbol are trademarks of SRS Labs, Inc.

TheaterSound technology is incorporated under licence from SRS Labs, Inc.

SRS TheaterSound™ provides the most immersive surround sound experience from the TVs built-in speakers, while maintaining steady volume and delivering rich bass and clear dialog.



Manufactured under licence from Dolby Laboratories. Dolby and the double-D symbol are trademarks of Dolby Laboratories.



Manufactured under license under U.S. Patent #'s: 5,451,942; 5,956,674; 5,974,380; 5,978,762; 6,487,535 & other U.S. and worldwide patents issued & pending. DTS and the Symbol are registered trademarks. & DTS 2.0+ Digital Out and the DTS logos are trademarks of DTS, Inc. Product Includes software. © DTS, Inc. All Rights Reserved.



DivX Certified® to play DivX® video up to HD 1080p, including premium content.

DivX®, DivX Certified® and associated logos are trademarks of DivX, Inc. and are used under license.

ABOUT DIVX VIDEO: DivX® is a digital video format created by DivX, Inc. This is an official DivX Certified® device that plays DivX video. Visit www.divx.com for more information and software tools to convert your files into DivX video.

ABOUT DIVX VIDEO-ON-DEMAND: This DivX Certified® device must be registered in order to play purchased DivX Video-on-Demand (VOD) movies. To obtain your registration code, locate the DivX VOD section in your device setup menu. Go to vod.divx.com for more information on how to complete your registration. Covered by one or more of the following U.S. patents : 7,295,673; 7,460,668; 7,515,710; 7,519,274



The terms HDMI and HDMI High-Definition Multimedia Interface, and the HDMI Logo are trademarks or registered trademarks of HDMI Licensing LLC in the United States and other countries.

Open Source License Notice

In the case of using open source software, Open Source Licenses are available on the product menu.

Open Source License Notice is written only English.

*This page is intentionally
left blank.*



Contact SAMSUNG WORLDWIDE

If you have any questions or comments relating to Samsung products, please contact the SAMSUNG customer care center.

Samsung Hospitality Hotline: 866-894-0524

Web site: <http://www.samsung.com/us/business>

Free Manuals Download Website

<http://myh66.com>

<http://usermanuals.us>

<http://www.somanuals.com>

<http://www.4manuals.cc>

<http://www.manual-lib.com>

<http://www.404manual.com>

<http://www.luxmanual.com>

<http://aubethermostatmanual.com>

Golf course search by state

<http://golfingnear.com>

Email search by domain

<http://emailbydomain.com>

Auto manuals search

<http://auto.somanuals.com>

TV manuals search

<http://tv.somanuals.com>