

HD CCTV Redefined for your safety

720p HDTV Hybrid All-In-One Security Kits



SDH-P5080

16 Channel HDTV Hybrid DVR security system

DVR

- SD (12CH) & HD (4CH) hybrid DVR
- 1080p & 720p recording
- 960H (WD1) recording support
- Auto port forwarding with quick connect technology
- HDMI outputs for convenient connection to HDTVs or monitors

Camera

- 720p HD resolution camera (x 4)
- 600TV lines SD camera (x 4)
- True Day & Night with ICR for perfect color reproduction
- IP66 weather resistant
- Samsung Super Dynamic Range feature to increase the brightness of the dark area (SSDR)
- Night vision up to 82ft



SSDR (Samsung Super Dynamic Range)

Useful in high contrast or backlight scene. Automatically lightens the dark areas within a scene whilst maintaining the brighter areas at the same level. This ensures that the dark areas become more viewable allowing the operator to view objects in the shadows.



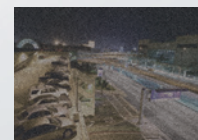
SSDR Off



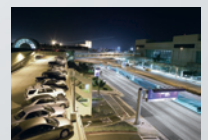
SSDR On

SSNRIII (Samsung Super Noise ReductionIII)

The 3rd generation of SSNR can be used in low light condition to enhance the image quality. This technology eliminates image noise in low light conditions without creating image blur or ghosting.



SSNRIII Off



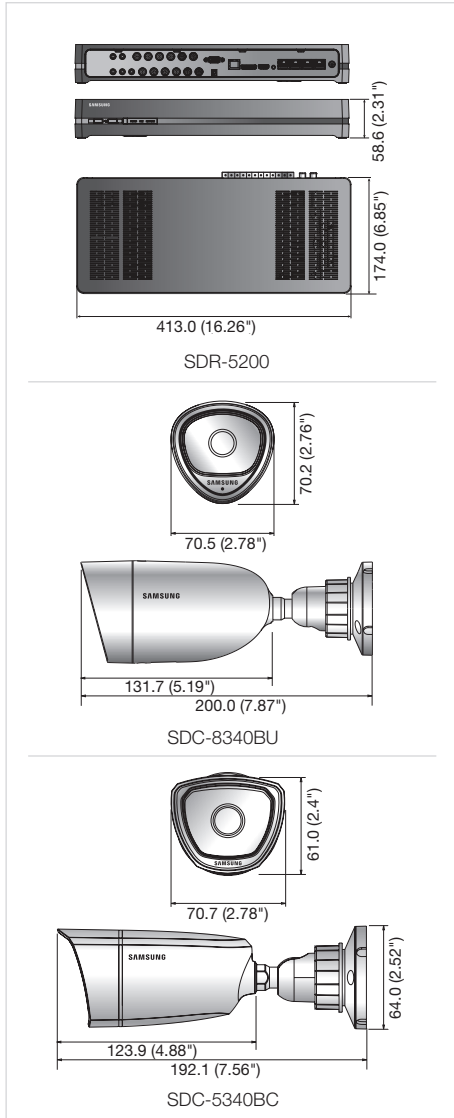
SSNRIII On

SDH-P5080



Dimensions

Unit : mm (inch)



The Eco mark represents Samsung Techwin's will to create environment-friendly products, and indicates that the product satisfies the EU RoHS Directive.

Specifications

SDR-5200		
DISPLAY		
Video	Inputs	4CH UTP, 12CH BNC (Composite)
	Resolution	1920 x 1080 (Full HD)
	Frame Rate	120fps@1920 x 1080 + 360fps@704 x 480
Live	Resolution	1920 x 1080 (Full HD), 704 x 480 (SD)
	Multi Screen Display	1 / 4 / 7 / 9 / 13 / 16A / 16B / Sequence / PIP
PERFORMANCE		
Operating System	Embedded	Linux
	Compression	H.264
	Record Rate	Up to 120fps@1920 x 1080 + 360fps@704 x 480
	Mode	Manual, Schedule (Continuous / Event), Event (Pre / Post), Time lapse (1 ~ 30fps)
Recording	Event	Video Loss, Motion (Level 1 ~ 10), Alarm, Tampering
	Overwrite Modes	Continuous
	Pre-alarm	Off / 5sec
	Post-alarm	Up to 6hour (5,10, 20, 30sec, 1, 3, 5, 10, 20min, 1, 2, 3, 4, 5, 6hour)
	Search Mode	Date/time, Event, Back up, Motion (*All search included preview function)
Search & Playback	Playback Function	Fast forward / backward (2x, 4x, 8x, 16x, 32x, 64x) *Backward play with I-frame only Slow forward / backward (1/2x, 1/4x, 1/8x) Step forward / backward *Backward play with I-frame only
	Transmission Speed	4CIF 120fps / 2CIF 240fps / CIF 480fps
	Bandwidth	Up to 32Mbps
	Bandwidth Control	Selectable
	Stream	H.264 (4CIF / 2CIF / CIF selectable)
	Max. Remote Users	Search 3 / Live unicast 10 / Live multicast 20
	Protocol Support	TCP/IP, DHCP, PPPoE, SMTP, NTP, HTTP, DDNS, RTP, RTSP, UPnP
	Monitoring	SmartViewer, Webviewer, Mobile Viewer
	Smart Phone	Android, iOS (iPhone, iPad)
	Protocol Support	RTP, RTSP, HTTP, CGI
	Transmission Speed	CIF Max. 16fps (Single channel) / CIF Max. 4fps (Quad channel)
	Max. Remote Users	Live 1
	Internal HDD	1TB SATA HDD
	External HDD / DVD Writer	External HDD (Up to 2TB)
	USB (Back up)	2 USB ports
	File Format (Back up)	BU (DVR player), SEC (Include player)
	Password Protection	1 Admin, 10 Group, 10 User per 1group
	Data Authentication	Watermark
INTERFACE		
Monitors	VGA	1 VGA (1024 x 768, 1280 x 1024)
	HDMI	1 HDMI (720p/1080p resolution)
	Inputs / Output	4 line in / 1 line out
Audio	Compression	G.711
	Sampling Rate	8KHz
Alarm	Remote Notification	Notification via e-mail
	Ethernet	1 RJ-45 10/100Mbps Base-T
	USB	USB 2.0, 2 ports (Front)
	e-SATA	e-SATA 3.0
	Application Support	Mouse, Remote control
	Protocol Support (RS-485)	Samsung-T/E, Pelco-D/P, Panasonic, Phillips, AD, Vicon, GE
GENERAL		
Electrical	Input Voltage / Current	12V DC adaptor, 4A, 100 ~ 250V AC, 50/60Hz, 48watt
	Power Consumption	Max. 40W (With 1x HDD)
Environmental	Operating Temperature / Humidity	0°C ~ +40°C (+32°F ~ +104°F) / 20% ~ 85%RH
	Dimensions (WxHxD)	413.0 x 58.6 x 174.0mm (16.26" x 2.31" x 6.85")
Mechanical	Weight (With hard disks)	1.44kg (3.2 lb)
Language		English, Spanish, French, German, Italian, Polish, Portuguese, Russian, Turkish, Japanese, Czech, Swedish, Danish, Korean, Chinese, Netherland, Thai, Romanian, Serbian, Croatian, Hungarian, Greek

	SDC-8340BUN	SDC-5340BCN
ELECTRICAL		
Input Voltage	12V DC (by PoE)	12V DC
Power Consumption	3W	3W
VIDEO		
Imaging Device	1/4" CMOS	1/3" CMOS
Active Pixels	1024 x 720 (720p)	720 x 480
Scanning System	Progressive	Interlace
Synchronization	Internal	Internal
Frequency	H : 15,734Hz / V : 59.94Hz	H : 15,734Hz / V : 59.94Hz
Horizontal Resolution	800TV lines	600TV lines
Min. Illumination	0Lux (IR LED)	0Lux (IR LED)
S/N Ratio (Y Signal)	50dB	46dB
UTP Output	Built-in UTP TX	N/A
	Maximum transmission length : 150m (UTP CAT 5e)	N/A
	Balanced differential impedance : 100 ohm	N/A
LENS		
Focal Length	3.6mm	3.6mm
Max. Aperture Ratio	2	2
Angular Field of View	D : 86°	D : 72°
OPERATIONAL		
Shutter Mode	Auto (Rolling shutter)	Auto (Rolling shutter)
Gain Control	Auto	Auto
White Balance	Auto (3,200°K ~ 6,500°K)	Auto (3,200°K ~ 6,500°K)
Contrast Enhancement	SSDR (On)	N/A
Digital Noise Reduction	SSNRIII (On)	Auto
Day & Night	Auto	Auto
IR Distance (850nm)	25m (82ft)	25m (82ft)
ENVIRONMENTAL		
Operating Temperature / Humidity	-10°C ~ +50°C (+14°F ~ +122°F) / 20% ~ 85%RH	-10°C ~ +50°C (+14°F ~ +122°F) / 20% ~ 85%RH
MECHANICAL		
Ingress Protection	IP66	IP66
Dimensions (WxHxD)	70.5 x 70.2 x 200mm (2.78" x 2.76" x 7.87")	70.7 x 61.0 x 192.1mm (2.78" x 2.40" x 7.56")
Weight	240g (0.53 lb)	241g (0.53 lb)

Design and specifications are subject to change without notice.

■ DISTRIBUTED BY

SAMSUNG TECHWIN CO., LTD. 701, Sampyeong-dong, Bundang-gu, Seongnam-si, Gyeonggi-do Korea 463-400
Tel : +82-70-7147-8741~8749, 8752~8760 Fax : +82-31-8018-3745 www.samsungsecurity.com www.samsungcctv.com

SAMSUNG TECHWIN AMERICA INC.
100 Challenger Rd, Suite 700 Ridgeland Park, NJ 07660
Customer support : +1-877-349-3149
www.samsungsv.com

SAMSUNG TECHWIN EUROPE LTD.
2st floor No5, The Height, Brookland, Weybridge, Surrey, U.K.
KT13 0NY
Customer support : 00800-8010-8011
www.samsungsecurhome.eu

SHANGHAI SAMSUNG TECHWIN CO., LTD.
32F, Bk B, International Business Center,
No. 391 Guiping Rd., Shanghai, China, 200233
Tel : +86-21-5427-1155 Fax : +86-21-5423-5122



SAMSUNG TECHWIN

Free Manuals Download Website

<http://myh66.com>

<http://usermanuals.us>

<http://www.somanuals.com>

<http://www.4manuals.cc>

<http://www.manual-lib.com>

<http://www.404manual.com>

<http://www.luxmanual.com>

<http://aubethermostatmanual.com>

Golf course search by state

<http://golfingnear.com>

Email search by domain

<http://emailbydomain.com>

Auto manuals search

<http://auto.somanuals.com>

TV manuals search

<http://tv.somanuals.com>