

Hanging Mout Adaptor

SADT-100HM **NEW**



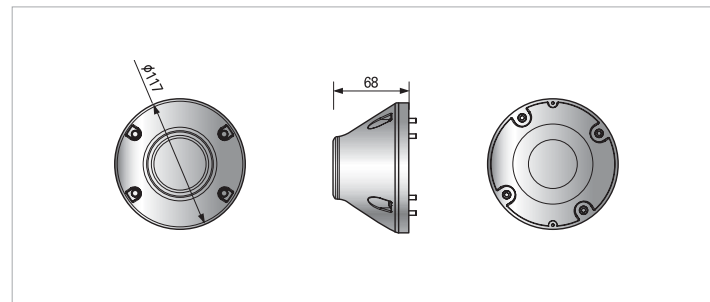
Features

- Hanging mount adaptor
- Indoor use
- Solid structure
- Aluminum material
- Applicable camera : SCC-C6433/C6435

Specifications

Model	SADT-100HM
Materials	Aluminum
Dimensions	117(Ø) x 68(H)mm
Weight	259g
Operating Temperature	-10~+50°C

Dimensions (unit:mm)



Free Manuals Download Website

<http://myh66.com>

<http://usermanuals.us>

<http://www.somanuals.com>

<http://www.4manuals.cc>

<http://www.manual-lib.com>

<http://www.404manual.com>

<http://www.luxmanual.com>

<http://aubethermostatmanual.com>

Golf course search by state

<http://golfingnear.com>

Email search by domain

<http://emailbydomain.com>

Auto manuals search

<http://auto.somanuals.com>

TV manuals search

<http://tv.somanuals.com>