

General Description

The e 945 is a fully professional super-cardioid vocal microphone which cuts through the mix and offers a smooth, natural sound. Its warm tonal response is matched with rugged construction and excellent feedback rejection.



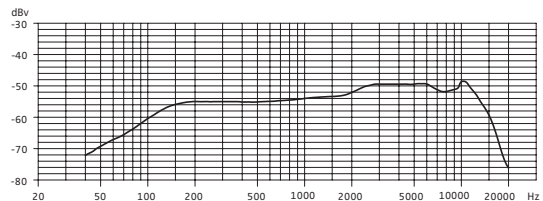
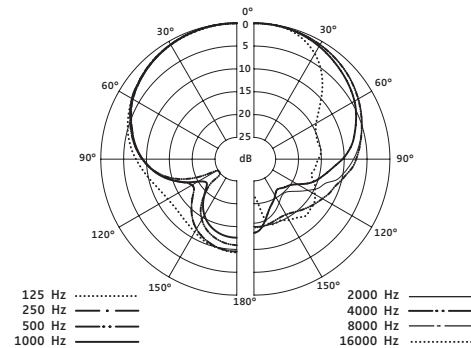
evolution

Features

- Rugged metal body
- Advanced shock-mount design
- Consistent on-/off-axis response
- Hum compensating coil
- Delivery includes a pouch and a microphone clamp

Technical Data

Transducer principle	dynamic
Pick-up pattern	super-cardioid
Frequency response	40 – 18,000 Hz
Sensitivity (free field, no load, 1 kHz)	2.0 mV/Pa at 1 kHz = -54 dB (0 dB = 1V/Pa)
Nominal impedance	350 Ω
Min. terminating impedance	1 kΩ
Dimensions	47 x 186 mm (1.85" x 7.32")
Weight	330 g (11.64 oz)



Profile

Super-cardioid professional vocal microphone, hum compensating coil, frequency response 40 – 18,000 Hz, sensitivity (free field, no load) 2.0 mV/Pa at 1 kHz = -54 dB (0 dB = 1V/Pa), nominal impedance 350 Ω, min. terminating impedance 1 kΩ dimensions 47 x 186 mm, weight 330 g (11.64 oz).

Free Manuals Download Website

<http://myh66.com>

<http://usermanuals.us>

<http://www.somanuals.com>

<http://www.4manuals.cc>

<http://www.manual-lib.com>

<http://www.404manual.com>

<http://www.luxmanual.com>

<http://aubethermostatmanual.com>

Golf course search by state

<http://golfingnear.com>

Email search by domain

<http://emailbydomain.com>

Auto manuals search

<http://auto.somanuals.com>

TV manuals search

<http://tv.somanuals.com>