

General Description

The cardioid e 905 can handle very high sound pressure levels and has an excellent transient response. It is suitable for a wide range of instruments and an perfect choice for snare drums.

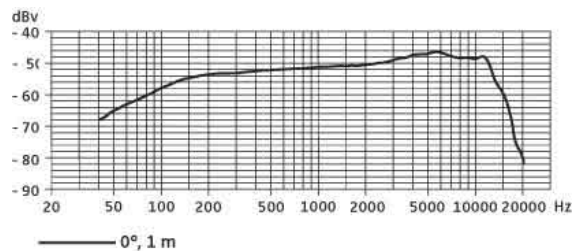
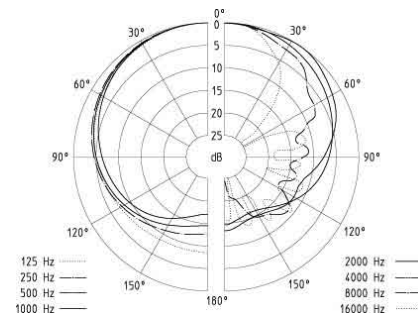


Technical Data

Transducer principle.....	dynamic
Pick-up pattern	cardioid
Frequency response	40 – 18,000 Hz
Sensitivity (free field, no load, 1 kHz).....	2.6 mV/Pa
Nominal impedance	350 Ω
Min. terminating impedance	1 kΩ
Dimensions	∅ 116 x 41 mm (∅ 4.57" x 1.61")
Weight	210 g (7.41 oz)

Features

- Impressive and full sound
- Very fast attack
- Short microphone body to facilitate optimal positioning by drums
- Integral stand mount
- Hum compensating coil
- Sturdy reinforced aluminium body
- Delivery includes: 1 e 905 microphone
pouch
Instructions for use



Free Manuals Download Website

<http://myh66.com>

<http://usermanuals.us>

<http://www.somanuals.com>

<http://www.4manuals.cc>

<http://www.manual-lib.com>

<http://www.404manual.com>

<http://www.luxmanual.com>

<http://aubethermostatmanual.com>

Golf course search by state

<http://golfingnear.com>

Email search by domain

<http://emailbydomain.com>

Auto manuals search

<http://auto.somanuals.com>

TV manuals search

<http://tv.somanuals.com>