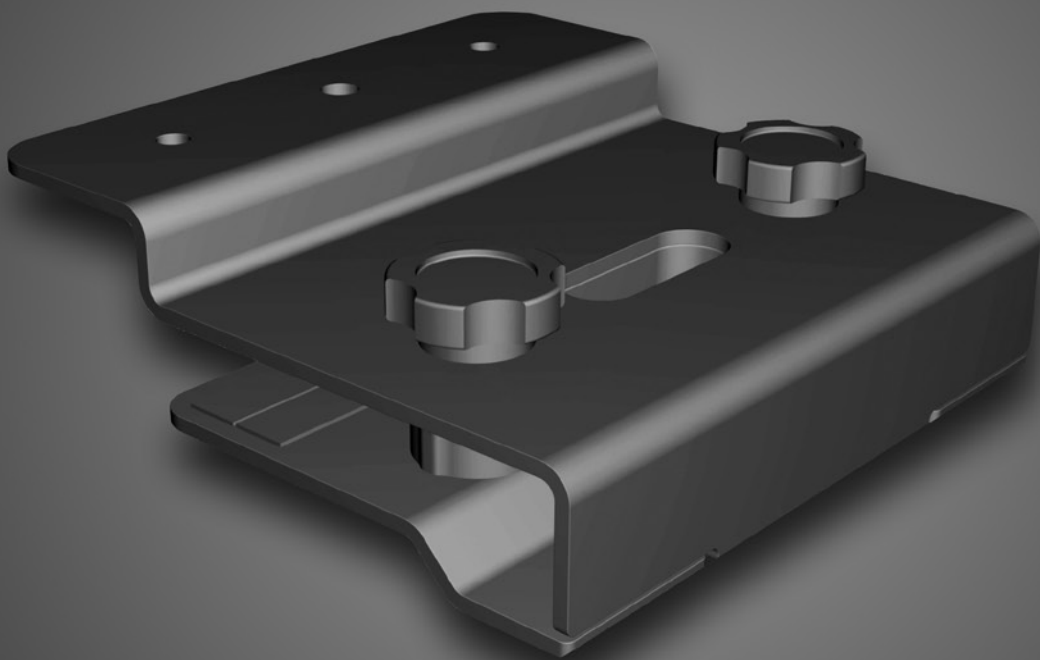
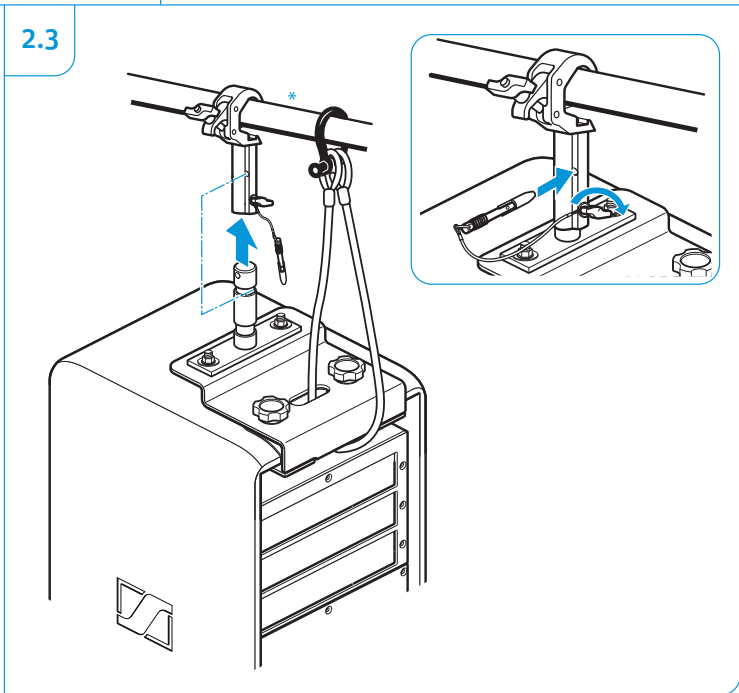
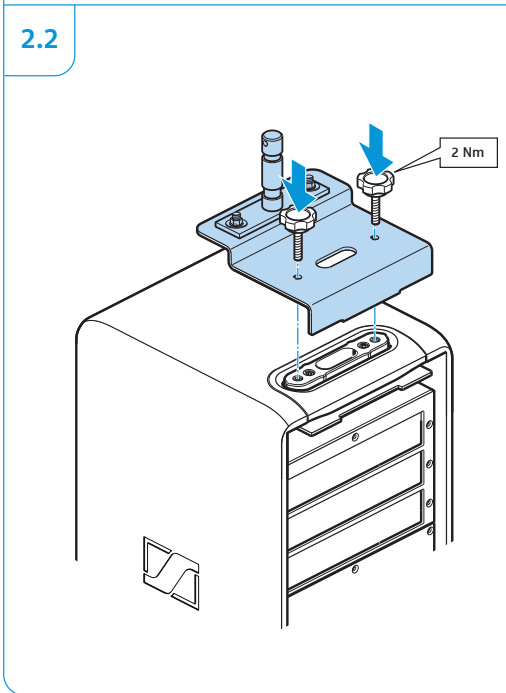
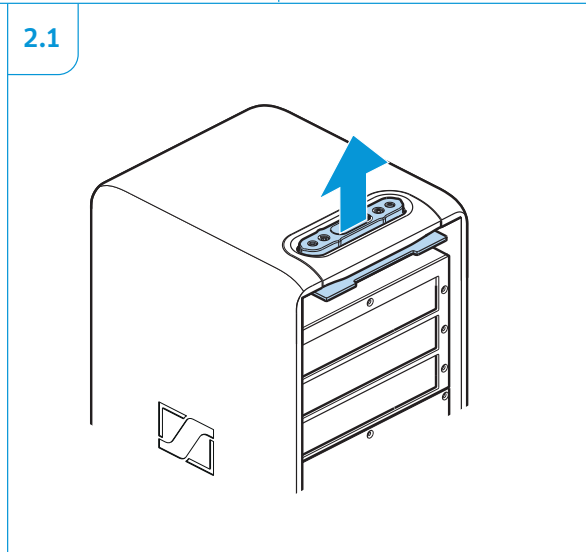
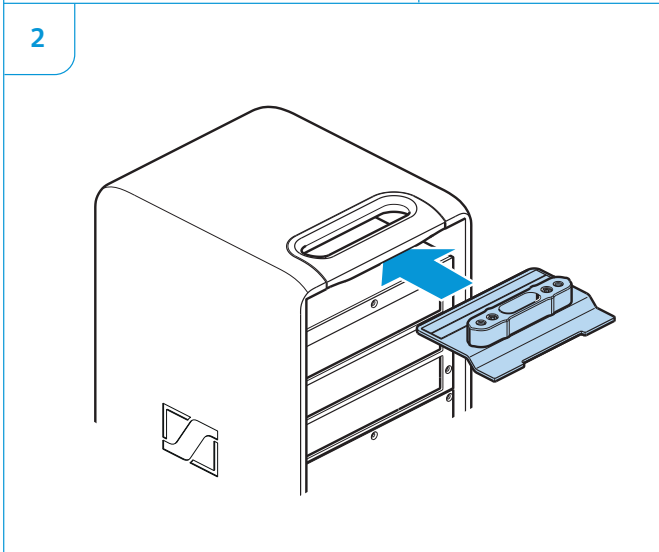
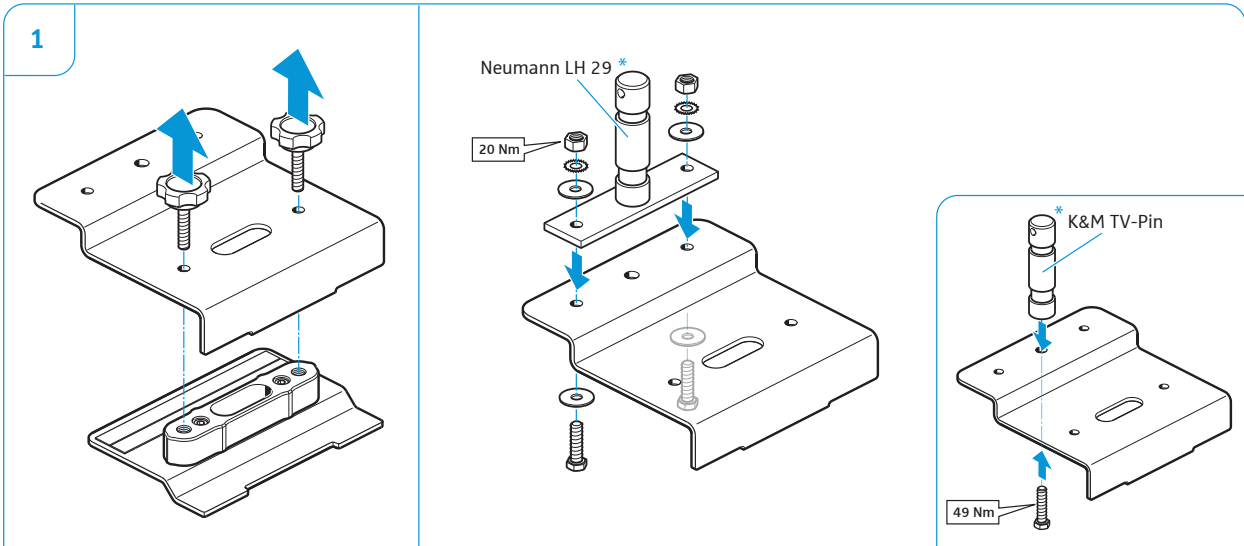


LAH 500

Loudspeaker
Mounting Hardware



Mounting instructions



* Sourced from 3rd parties

Important safety and mounting instructions

- ▶ Have the product mounted by specialists.
Due to their technical training, know-how and experience as well as knowledge of relevant provisions, regulations and standards, specialists must be able to assess assigned tasks, recognize potential hazards and ensure appropriate safety measures. The following safety and mounting instructions are addressed to specialists.
- ▶ Read and follow the safety and mounting instructions, keep these instructions and always include them when passing the LAH 500 on to third parties.
- ▶ Only use the LAH 500 for mounting the LSP 500 PRO.
- ▶ Also read and follow the safety and installation instructions contained in the operating manual of the LSP 500 PRO.
- ▶ Always use the LAH 500 in combination with the following accessories:
 - Neumann LH 29 TV spigot **or**
 - König & Meyer TV pin 24519
- ▶ Do not install the LAH 500 in locations where it is exposed to externally generated vibrations.
- ▶ Observe and follow the local, national and international regulations and standards:
 - when selecting a suitable truss and when assessing the proper attachment of the truss,
 - when selecting a suitable and sufficiently dimensioned holder for TV spigot,
 - when mounting the LAH 500 with the attached LSP 500 PRO.



CAUTION!

Danger of injury and material damage due to dropping of the LAH 500, the TV spigot/TV pin and the LSP 500 PRO

Unless the LAH 500, the TV spigot/TV pin and the LSP 500 PRO are properly attached to a truss, these parts can drop down.


- ▶ **Before** attaching to a truss, make sure that the LAH 500, the TV spigot/TV pin used and the LSP 500 PRO are fastened to each other as described in the following text and shown in the figures at the beginning of the document. Tighten all screws with the torques specified in the figures.
 - ▶ Use a safety wire to secure the LAH 500 and the LSP 500 PRO to the truss during mounting. The safety wire must be rated for the attached load. The safety wire, rope terminations and coupling links must comply in their dimensioning and condition with the regulations and standards of the country in which they are used and must reliably prevent tipping/dropping of the attached parts.
 - ▶ When mounting, have the LSP 500 PRO held by a second specialist who is physically able to do so. The requirements mentioned earlier also apply to this specialist!
-
- ▶ Make sure that the truss is undamaged, properly attached and rated for the weight to be carried.
 - ▶ Fasten and secure a suitable holder for TV spigot to the truss. The holder must be able to carry the weight of the LSP 500 PRO plus the weight of the TV spigot/TV pin and the LAH 500. Calculate the total weight and, if necessary, consider additional leverages.
 - ▶ Dismount the LAH 500 as shown in fig. 1.
 - ▶ Attach the TV spigot/TV pin to the upper mounting plate of the LAH 500 as shown in fig. 1.
 - ▶ Attach the LAH 500 to the LSP 500 PRO as shown in figs. 2 to 2.2.
 - ▶ Fasten the LAH 500 to the truss by inserting the TV spigot/TV pin to the holder for TV spigot.
 - ▶ Secure the combination of TV spigot and holder as shown in fig. 2.3. The TV spigot/TV pin has to be secured to the holder with the metal locking pin.

- ▶ Rotate the LSP 500 PRO horizontally as desired and then secure this position using the safety screw of the holder (see fig. 2.3).
- ▶ Use a safety wire to secure the LAH 500 and the LSP 500 PRO to the truss as shown in fig. 2.3. The safety wire must be rated for the attached load. The safety wire, rope terminations and coupling links must comply in their dimensioning and condition with the regulations and standards of the country in which they are used and must reliably prevent tipping/dropping of the attached parts.
- ▶ Make sure that ...
 - the LSP 500 PRO cannot tip over or drop down, even if the power or audio cables are pulled;
 - you replace the safety wires and coupling links by new ones when they have prevented tipping/dropping;
 - you check every 3 months if all screws are tightened with the torques specified in these safety and mounting instructions and if the LSP 500, the LAH 500, the TV spigot/TV pin, additional fastening elements, safety wires as well as the coupling links are in proper condition.

In case of any damage or any deviation from the safety and mounting instructions, immediately dismount the LSP 500 PRO, the LAH 500 and the additional mounting hardware used.

Package contents

- 1 upper mounting plate
- 1 lower mounting plate with spacer (premounted)
- 2 knurled screws for joining the upper and the lower mounting plate

 The Neumann LH 29 TV spigot, the König & Meyer TV pin 24519 and the safety wires have to be ordered separately.

Specifications

Weight: 2.4 kg
Dimensions: 65 x 190 x 188 mm (H x W x D)

Warranty

Sennheiser electronic GmbH & Co. KG gives a warranty of 24 months on this product.

For the current warranty conditions, please visit our website at www.sennheiser.com or contact your Sennheiser partner.



Sennheiser electronic GmbH & Co. KG

Am Labor 1, 30900 Wedemark, Germany
www.sennheiser.com

Publ. 08/13, 554629/A01

Free Manuals Download Website

<http://myh66.com>

<http://usermanuals.us>

<http://www.somanuals.com>

<http://www.4manuals.cc>

<http://www.manual-lib.com>

<http://www.404manual.com>

<http://www.luxmanual.com>

<http://aubethermostatmanual.com>

Golf course search by state

<http://golfingnear.com>

Email search by domain

<http://emailbydomain.com>

Auto manuals search

<http://auto.somanuals.com>

TV manuals search

<http://tv.somanuals.com>