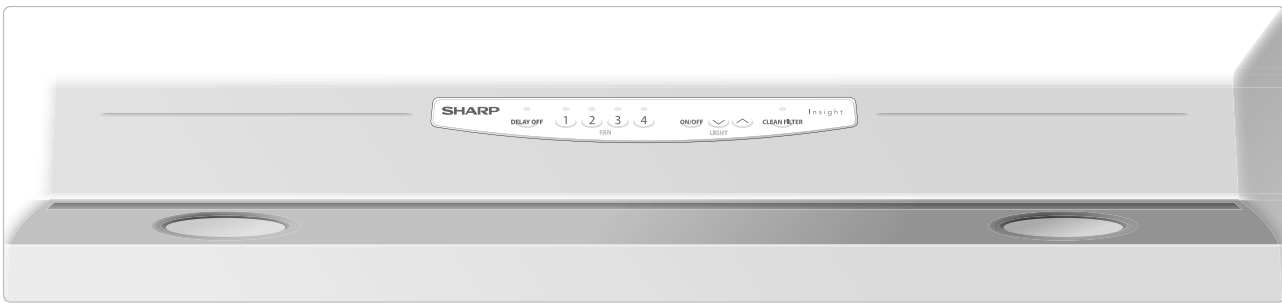


INSTALLATION INSTRUCTION / OPERATION MANUAL

MODEL **KB-0333K**

Followed by indicating color: K = black, W = white, S = stainless steel



FOR CUSTOMER ASSISTANCE	2	CONNECT WIRING	8
CONSUMER LIMITED WARRANTY	3	INSTALL HOOD	9
PRODUCT INFORMATION CARD	3	NON-DUCTED FILTERS	9
IMPORTANT SAFETY INSTRUCTIONS	4	OPERATING	10
PREPARE HOOD LOCATION	5	FUSE	10
PREPARE THE HOOD	6 - 8	CLEANING	11

SHARP[®]

Insight[™]

INSIGHT RANGE HOOD

FOR CUSTOMER ASSISTANCE

To aid in reporting this range hood, please record below the model number and serial number located on the unit. We also suggest you record all the information listed and retain for future reference.

MODEL NUMBER _____ SERIAL NUMBER _____

DATE OF PURCHASE _____ / _____ / _____

DEALER _____ TELEPHONE _____

SERVICER _____ TELEPHONE _____

TO PHONE:

DIAL 1-800-BE-SHARP (237-4277) for:

SERVICE (for your nearest Sharp Authorized Servicer)

PARTS (for your authorized parts distributor)

DIAL 1-800-642-2122 for: Charcoal Filters (model KBK-330)

TO WRITE:

Sharp Electronics Corporation
Customer Assistance Center
1300 Naperville Drive
Romeoville, IL 60446-1091

Please provide the following information when you write or call: model number, serial number, date of purchase, your complete mailing address (including zip code), your daytime telephone number (including area code) and description of the problem.

TO ACCESS INTERNET: www.sharpusa.com

CONSUMER LIMITED WARRANTY

SHARP ELECTRONICS CORPORATION warrants to the first consumer purchaser that this Sharp brand product (the "Product"), when shipped in its original container, will be free from defective workmanship and materials, and agrees that it will, at its option, either repair the defect or replace the defective Product or part thereof with a new or remanufactured equivalent at no charge to the purchaser for parts or labor for the period(s) set forth below.

This warranty does not apply to any appearance items of the Product nor to the additional excluded item(s) set forth below nor to any Product the exterior of which has been damaged or defaced, which has been subjected to misuse, abnormal service or handling, or which has been altered or modified in design or construction.

In order to enforce the rights under this limited warranty, the purchaser should follow the steps set forth below and provide proof of purchase to the servicer.

The limited warranty described herein is in addition to whatever implied warranties may be granted to purchasers by law. ALL IMPLIED WARRANTIES INCLUDING THE WARRANTIES OF MERCHANTABILITY AND FITNESS FOR USE ARE LIMITED TO THE PERIOD(S) FROM THE DATE OF PURCHASE SET FORTH BELOW. Some states do not allow limitations on how long an implied warranty lasts, so the above limitation may not apply to you.

Neither the sales personnel of the seller nor any other person is authorized to make any warranties other than those described herein, or to extend the duration of any warranties beyond the time period described herein on behalf of Sharp.

The warranties described herein shall be the sole and exclusive warranties granted by Sharp and shall be the sole and exclusive remedy available to the purchaser. Correction of defects, in the manner and for the period of time described herein, shall constitute complete fulfillment of all liabilities and responsibilities of Sharp to the purchaser with respect to the Product, and shall constitute full satisfaction of all claims, whether based on contract, negligence, strict liability or otherwise. In no event shall Sharp be liable, or in any way responsible, for any damages or defects in the Product which were caused by repairs or attempted repairs performed by anyone other than an authorized servicer. Nor shall Sharp be liable or in any way responsible for any incident or consequential economic or property damage. Some states do not allow the exclusion of incidental or consequential damages, so the above exclusion may not apply to you.

THIS WARRANTY GIVES YOU SPECIFIC LEGAL RIGHTS. YOU MAY ALSO HAVE OTHER RIGHTS WHICH VARY FROM STATE TO STATE.

Your product model number & description	KB-0333K Home Use Range Hood. (Be sure to have this information available when you need service for your Product.)
Warranty period for this product:	One (1) year parts and labor including in-home service.
Additional item(s) excluded from warranty coverage (if any):	Light Bulbs
Where to obtain service:	From a Sharp Authorized Servicer located in the United States. To find the location of the nearest Sharp Authorized Servicer, call Sharp toll free at 1-800-BE-SHARP (1-800-237-4277).
What to do to obtain service:	From a Sharp Authorized servicer located in the United States. Be sure to have Proof of Purchase available. For in-home service, the servicer will come to the unit's location. If it is necessary to remove the unit for repair, the servicer will reinstall the unit at no extra charge, provided it was installed according to Sharp's Installation Instructions.

TO OBTAIN SUPPLY, ACCESSORY OR PRODUCT INFORMATION, CALL 1-800-BE-SHARP or visit www.sharpusa.com. SAVE THE PROOF OF PURCHASE AS IT IS NEEDED SHOULD YOUR RANGE HOOD EVER REQUIRE WARRANTY SERVICE.

PRODUCT INFORMATION CARD

The Product Information Card should be completed within ten days of purchase and returned. We will keep it on file and help you access the information if needed. This will also enable us to contact you in the unlikely event that any adjustments or modifications are ever required for your range hood.

IMPORTANT SAFETY INSTRUCTIONS

READ ALL INSTRUCTIONS BEFORE USING

FOR DOMESTIC COOKING ONLY

WARNING

TO REDUCE THE RISK OF FIRE, ELECTRIC SHOCK OR INJURY TO PERSONS, OBSERVE THE FOLLOWING:

1. Use this unit only in the manner intended by the manufacturer. If you have questions, contact Sharp at the address or telephone number listed on page 2 of this manual.
2. Before servicing or cleaning unit, switch power off at service panel and lock the service disconnecting means to prevent power from being switched on accidentally. When the service disconnecting means cannot be locked, securely fasten a prominent warning device, such as a tag, to the service panel.
3. Installation work and electrical wiring must be done by a qualified person(s) in accordance with all applicable codes and standards, including fire-rated construction codes and standards.
4. Sufficient air is needed for proper combustion and exhausting of gases through the flue (chimney) of fuel burning equipment to prevent backdrafting. Follow the heating equipment manufacturer's guideline and safety standards such as those published by the National Fire Protection Association (NFPA), and the American Society of Heating, Refrigeration and Air Conditioning Engineers (ASHRAE), and the local code authorities.
5. When cutting or drilling into wall or ceiling, do not damage electrical wiring and other hidden utilities.
6. To reduce the risk of fire or electric shock, do not use this range hood with an additional speed control device.
7. Ducted fans must always be vented to the outdoors.
8. To reduce the risk of fire, use only metal ductwork.
9. Use with approved cord-connection kit only.
10. This unit must be grounded.

TO REDUCE THE RISK OF A RANGE TOP GREASE FIRE:

1. Never leave surface units unattended at high settings. Boilovers cause smoking and greasy spillovers that may ignite. Heat oils slowly on low or medium settings.
2. Always turn hood ON when cooking at high heat or when cooking flaming foods.
3. Clean ventilating fans frequently. Grease should not be allowed to accumulate on fan or filter.
4. Use proper pan size. Always use cookware appropriate for the size of the surface element.

TO REDUCE THE RISK OF INJURY TO PERSONS IN THE EVENT OF A RANGE TOP GREASE FIRE, OBSERVE THE FOLLOWING:*

1. SMOTHER FLAMES with a close-fitting lid, cookie sheet or metal tray, then turn off the burner. BE CAREFUL TO PREVENT BURNS. If the flames do not go out immediately, EVACUATE AND CALL THE FIRE DEPARTMENT.
2. NEVER PICK UP A FLAMING PAN — You may be burned.
3. DO NOT USE WATER, including wet dishcloths or towels - violent steam explosion will result.
4. Use an extinguisher ONLY if:
 - A. You know you have a Class ABC extinguisher and you already know how to operate it.
 - B. The fire is small and contained in the area where it started.
 - C. The fire department is being called.
 - D. You can fight the fire with your back to an exit.

* Based on "Kitchen Fire Safety Tips" published by NFPA.

CAUTION

1. For general ventilating use only. Do not use to exhaust hazardous or explosive materials and vapors.
2. To avoid motor bearing damage and noisy and/or unbalanced impellers, keep drywall spray, construction dust, etc. off power unit.
3. For best capture of cooking impurities, your range hood should be mounted so that the top of the hood is 24-30" above the cooking surface.
4. Please read specification label on product for further information and requirements.

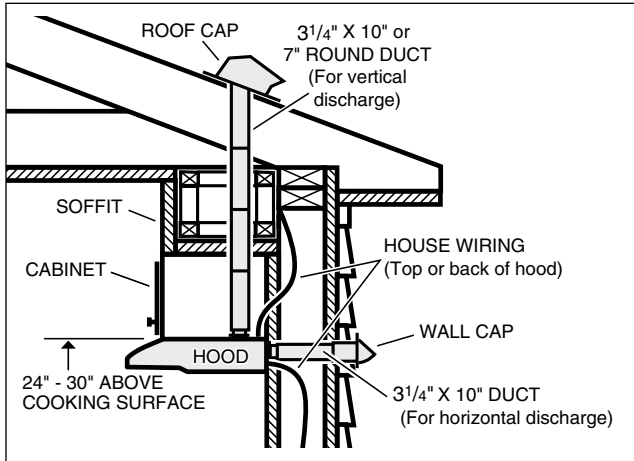
WARNING Halogen or incandescent bulbs may be hot! Refer to bulb packaging for further information.

Installer: Leave this manual with the homeowner.

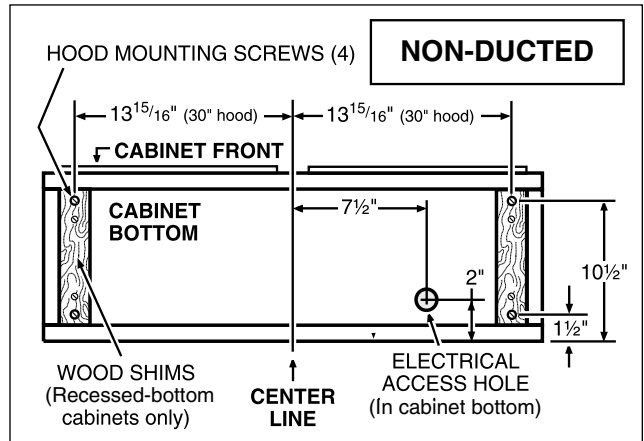
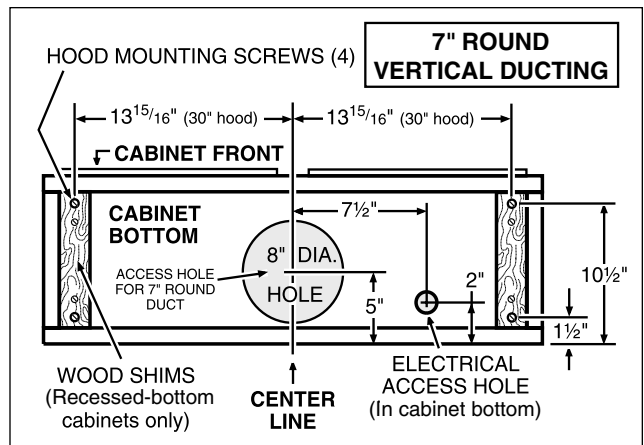
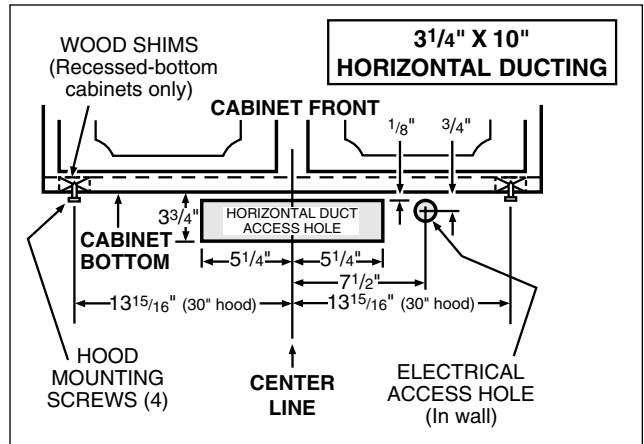
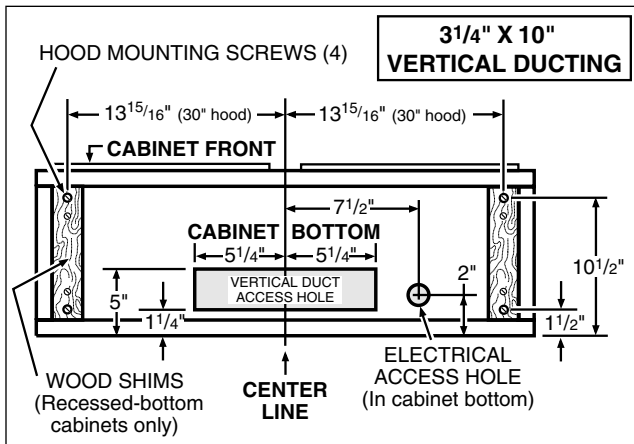
Homeowner: Operating instructions and Cleaning information are on pages 10-11.

PREPARE HOOD LOCATION

- 1** Determine whether hood will discharge vertically (3 1/4" x 10" or 7" round), horizontally (3 1/4" x 10" only) or be non-ducted. For vertical or horizontal discharge, run ductwork between the hood location and a roof cap or wall cap. For best results, use a minimum number of transitions and elbows.



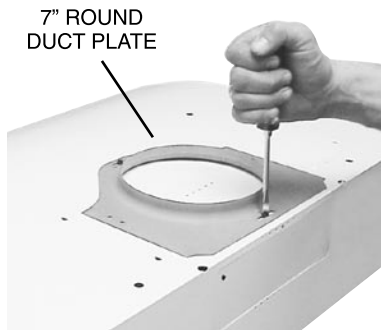
- 2** Use diagrams for proper placement of ductwork and electrical cutout in cabinet or wall. For a non-ducted installation, DO NOT cut a duct access hole.



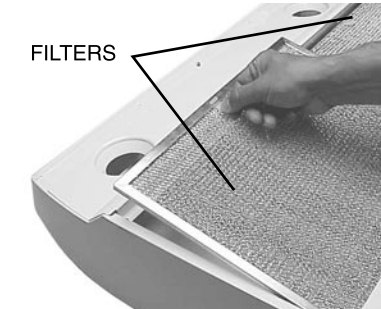
- 3** Run house wiring between service panel and hood location.

PREPARE THE HOOD

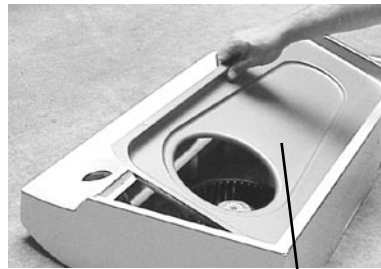
- 1** Remove **7" Round Duct Plate** from top of hood. Set duct plate aside - with mounting screws.



- 2** Remove tape holding **Filters** in place. Pull down on filter tabs or finger holes and lift filters out. Set filters aside.

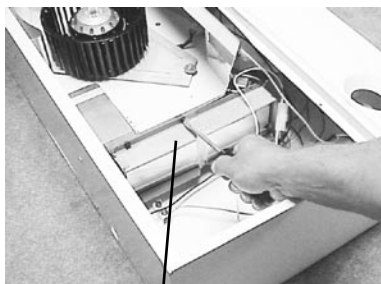


- 3** Remove **Teflon®-Coated Bottom Cover** from hood. Set cover and mounting screws aside.



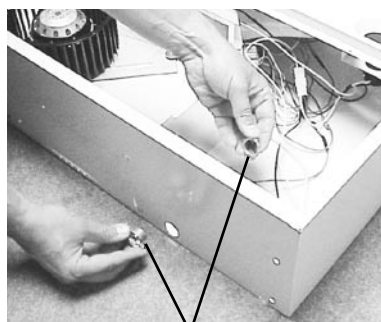
TEFLON®-COATED BOTTOM COVER
(Held in place with 2 screws)

- 4** Remove **Damper/Duct Connector** from inside the hood. Set connector aside - with mounting screws and parts bag.



DAMPER/ DUCT CONNECTOR

- 5** Remove either top or back wiring knockout and install approved **Electrical Cable Clamp**.

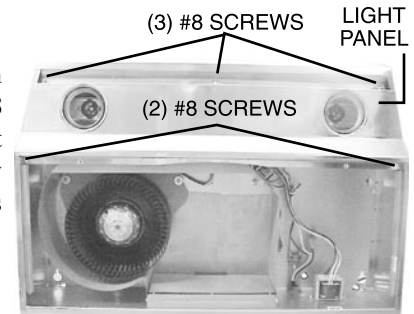


ELECTRICAL CABLE CLAMP

NON-DUCTED INSTALLATION - Skip to page 8.

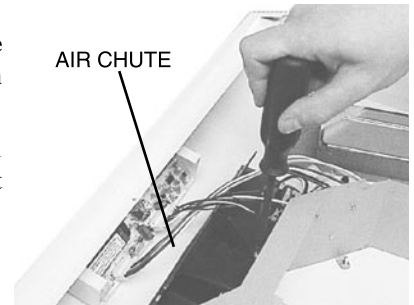
The following Steps (6 thru 14) are for **DUCTED INSTALLATION ONLY**.

- 6** Remove **Light Panel** - held in place with **(5) #8 screws**. Disconnect light assembly wire harness (white connector).

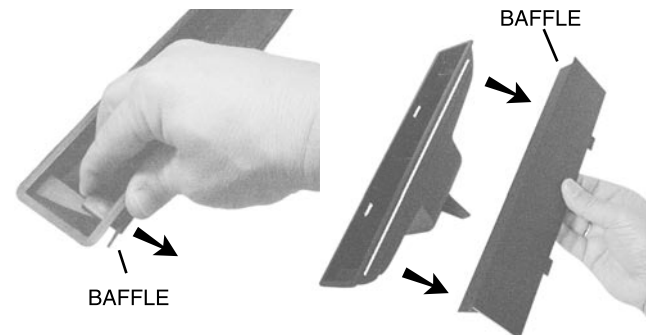


- 7** Remove **Air Chute** - held in place with one (1) screw.

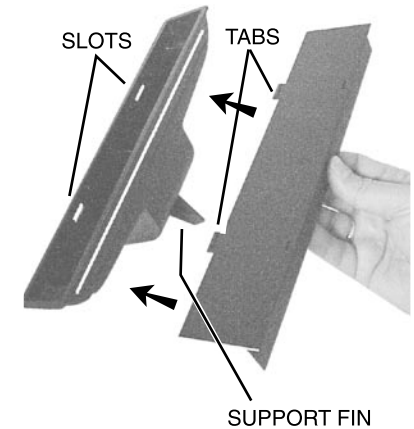
Note: Be careful not to disconnect any wires.



- 8** Remove **Baffle** from air chute.



- 9** Rotate baffle. Reinsert baffle into air chute (as shown) so that baffle **Tabs** fit all the way into **Slots** in air chute. An audible "click" will be heard when fully installed. This will close off the air flow through the non-ducted slots on top of hood.

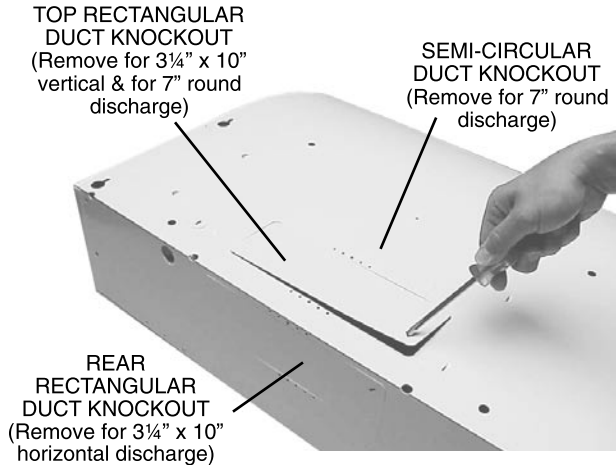


PREPARE THE HOOD

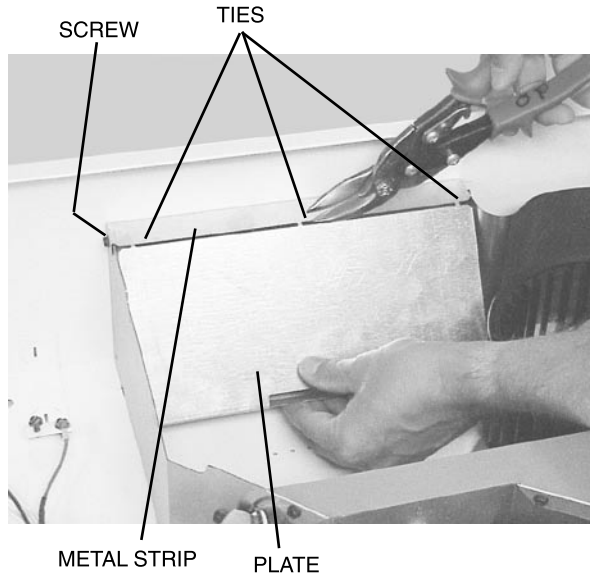
- 10** Re-install air chute and screw, re-connect wire harness and replace light panel.

Note: Be careful not to trap wires between **Support Fin** and light panel.

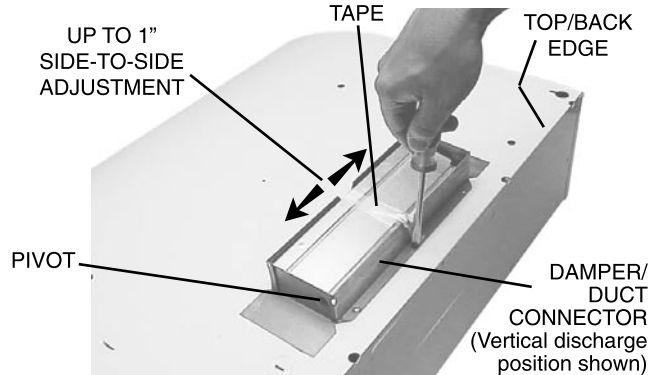
- 11** Remove appropriate **Duct Knockout(s)** from top or back of hood.



- 12** Horizontal Discharge Only: Remove the **Plate** in front of the horizontal discharge knockout. Cut the **ties**, lift plate out, and discard plate. **DO NOT REMOVE** the **Metal Strip** held in place with two **screws**.



- 13** 3 1/4" x 10" Ducted Discharge Only: Remove **tape** from damper flap and attach **Damper/Duct Connector** over knockout opening with screws removed in Step 4 under "PREPARE THE HOOD". Make sure damper **Pivot** is nearest to **top/back edge** of hood.



- 14** 7" Round Ducted Discharge Only: Re-install 7" Round Duct Plate removed in Step #1 under "PREPARE THE HOOD". Install a 7" Round Damper (purchase separately). Damper flap must open freely in direction of airflow (away from range hood).

Note: To accommodate off-center ductwork, the Damper/Duct Connector can be installed up to 1-inch on either side of hood center or the 7" Round Duct Plate can be installed up to 1/2" on either side of hood center. In extreme off-center installations, one end of the duct connector may need to be trimmed to clear the electrical cable clamp.

PREPARE THE HOOD

Non-Ducted Installations Only:

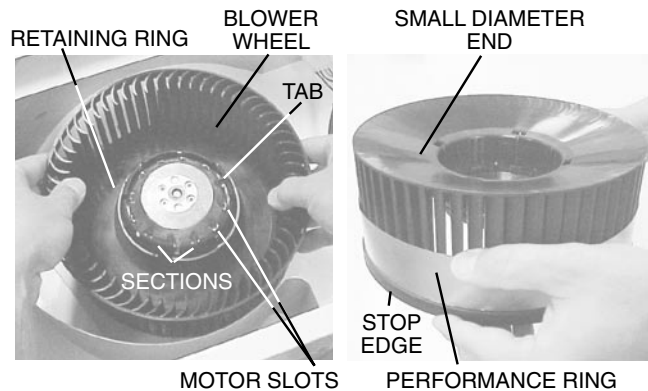
Requires a **Performance Ring** to be attached to the blower wheel. The **Performance Ring** is packed behind the Teflon®-Coated Bottom Cover.

To install ring:

1. Remove **Retaining Ring** using a flat blade screwdriver. Set aside for later. Remove the **Blower Wheel** by rocking it side to side and applying a slight force to pull wheel from motor. Turn the Blower Wheel over.
2. Slide the **Performance Ring** onto the **Small Diameter End** of the blower wheel and down to the **Stop Edge** of the wheel.
3. Reassemble wheel to motor. Make sure **Tab** on wheel fits into one of the **Motor Slots**.
4. Push wheel down until it is locked in place. Replace **Retaining Ring** from Step 1. Be sure it is within the upper and lower tabs.

5. Check that wheel is properly positioned as shown. Press **Sections** into place if necessary. Make sure wheel turns freely.

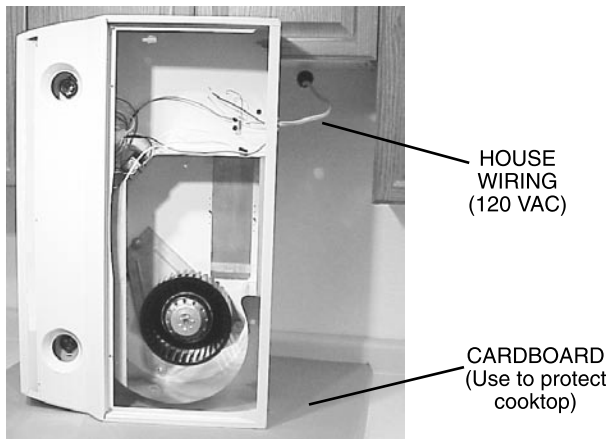
Note: For information on non-ducted filters, see page 9.



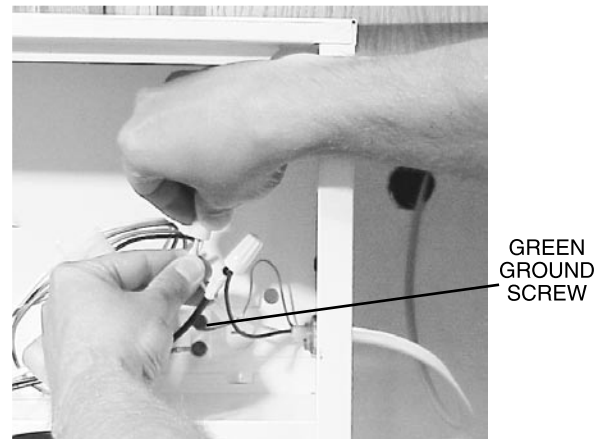
CONNECT WIRING

WARNING To reduce the risk of electric shock, make sure power is switched off at the service panel. Lock or tag service panel to prevent power from being switched on accidentally.

- 1 Connect **House Wiring** (120 VAC) to hood. Use a piece of **cardboard** to protect the cooktop, if necessary.

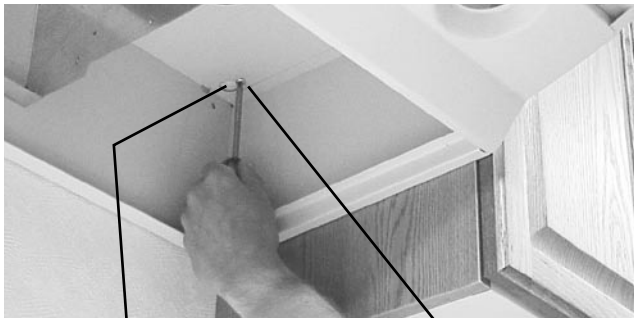


- 2 Connect house black to hood black wire, house white to hood white wire and house ground under **Green Ground Screw**. Securely tighten cable clamp onto house wiring.



INSTALL HOOD

1 Hang hood from (4) **mounting screws**. Slide hood towards wall until mounting screws are engaged in narrow end of (4) **keyholes**. Tighten mounting screws securely. A long screwdriver works best.

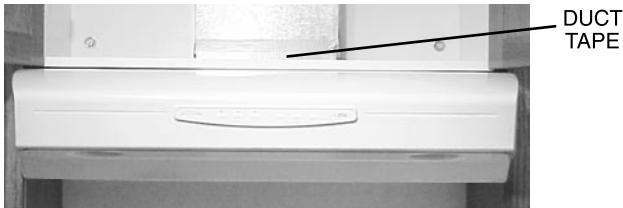


KEYHOLE (4)

MOUNTING SCREW (4)

2 Replace bottom cover.

3 Connect ductwork to hood. Use **duct tape** to make joints secure and air tight.



DUCT TAPE

4 Install (2) PAR20, 50 W Maximum **Halogen Bulbs** or (2) R16, 40 W Maximum **Incandescent Bulbs**. Purchase bulbs separately.



PAR20,
50W MAX.
HALOGEN
BULB (2)
- or -
R16,
40W MAX.
INCANDESCENT
BULB (2)

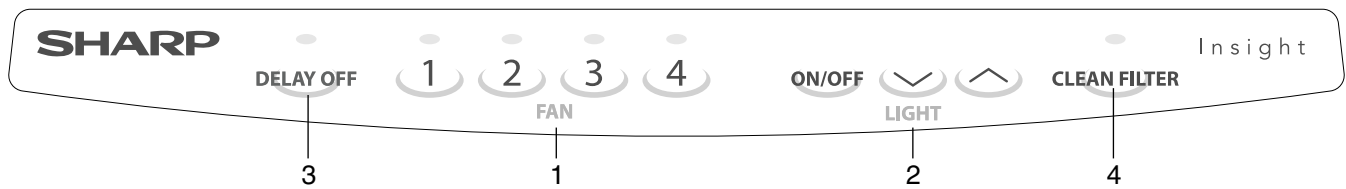
5 Replace filters, turn on power at service panel and test for proper operation.

NON-DUCTED FILTERS

If hood is to be installed Non-Ducted:

- Purchase a set of (2) charcoal filters, model KBK-330, from your local distributor, retailer or from Sharp (see page 2).
- Attach charcoal filters to the aluminum mesh filters. Be sure that the sides with the blue and yellow stripes are facing down (toward the range top).

OPERATING



1 FAN There are four fan speeds from low (1) to high (4). Push any button to select one of the four fan speeds. Press another button to change fan speed. Push the same button to turn the fan off. A light above each fan button indicates the fan speed.

2 LIGHT Press the ON/OFF button and lights will come on at their previous light level. Press the button again to turn lights off. To increase the light level, press button. To reduce light level, press the button. There are three light levels.

3 DELAY OFF While the fan is running, press the “DELAY OFF” button to allow the fan to run for 10 minutes and then turn off automatically.

4 FILTER CHANGE INDICATOR The light above “CLEAN FILTER” will come on when it is time to clean the grease filters or check non-ducted filters. After replacing the cleaned filters (or installing new ones), press the “CLEAN FILTER” button to turn off the indicator light.

HEAT SENSOR

Your Sharp Insight Range Hood is equipped with an advanced Heat Sensor.

The Sensor monitors the temperature and automatically adjusts the fan to the appropriate setting.

- If the fan is on, the Sensor will increase the fan setting when the temperature is elevated. If the temperature continues to rise, the Sensor will continue to increase the fan setting until the temperature is stabilized or reduced. The flashing light above the fan button shows the Sensor fan setting. Once the temperature has been reduced, the Sensor will change the fan to the original setting.
- If the fan is off, the Sensor will automatically turn the fan on at its highest speed when the temperature is above normal. When this occurs, the light above fan button 4 will flash on and off. After the temperature has been reduced to normal, the fan will change to the setting prior to the Sensor coming on.

FUSE

The hood control contains a fuse to protect it from power surges. If the fuse has opened (blown), the green fan-level indicators will operate properly when the fan buttons/switches are pressed, but the fan and lights will not turn on.

The fuse is a 5 x 20mm, 10 Amp, Fast-Acting, 125V (min.). Common manufacturer and part numbers are: Littlefuse, 217010; Bussmann, GMA10A; Wickmann, 1942100. Radio Shack, Digikey (1-800-344-4539), and most electronic supply stores have them in stock.

To replace the fuse:

1. Disconnect power at service entrance.
2. Remove filters, bottom panel, light wire harness and air chute.
3. Remove and inspect fuse. If it is not open (blown), additional diagnostics need to be done.
4. Install new fuse.
5. Re-assemble air chute, light wire harness, bottom panel and filters.
6. Turn on power and check hood/control operation.

WARNING To reduce the risk of electric shock, disconnect from power supply before cleaning.

Aluminum mesh filters: Clean frequently using hot water and a mild detergent. Filters are dishwasher safe.

Charcoal filters (additional filters for non-ducted installations): Clean filter surfaces frequently with a damp cloth and a mild detergent. DO NOT immerse filters in water or put in dishwasher. The special “Clean Sense” feature indicates when the filter is to be replaced. The blue and yellow stripes will blend to green when it is time to change the filter. The “Clean Sense” feature works best when facing toward the cooking surface.

To clean hood: Remove filters. Use a damp cloth and a mild detergent to wipe all grease-laden surfaces. Do not use abrasive cloth, steel wool pads or scouring powder on the Teflon®-coated bottom cover or on any painted surface. Use care when cleaning blower wheel - it must not become bent or misaligned. DO NOT ALLOW WATER TO ENTER MOTOR. Make sure all surfaces are completely dry before re-installing filters and restoring power. Motor is permanently lubricated. Do not oil or disassemble motor.

Teflon® is a registered trademark of DuPont.



– This symbol on the nameplate means the product is listed by Underwriters Laboratories, Inc.

SHARP®

SHARP ELECTRONICS CORPORATION • Sharp Plaza, Mahwah, New Jersey 07430-2135

626995B



Free Manuals Download Website

<http://myh66.com>

<http://usermanuals.us>

<http://www.somanuals.com>

<http://www.4manuals.cc>

<http://www.manual-lib.com>

<http://www.404manual.com>

<http://www.luxmanual.com>

<http://aubethermostatmanual.com>

Golf course search by state

<http://golfingnear.com>

Email search by domain

<http://emailbydomain.com>

Auto manuals search

<http://auto.somanuals.com>

TV manuals search

<http://tv.somanuals.com>