



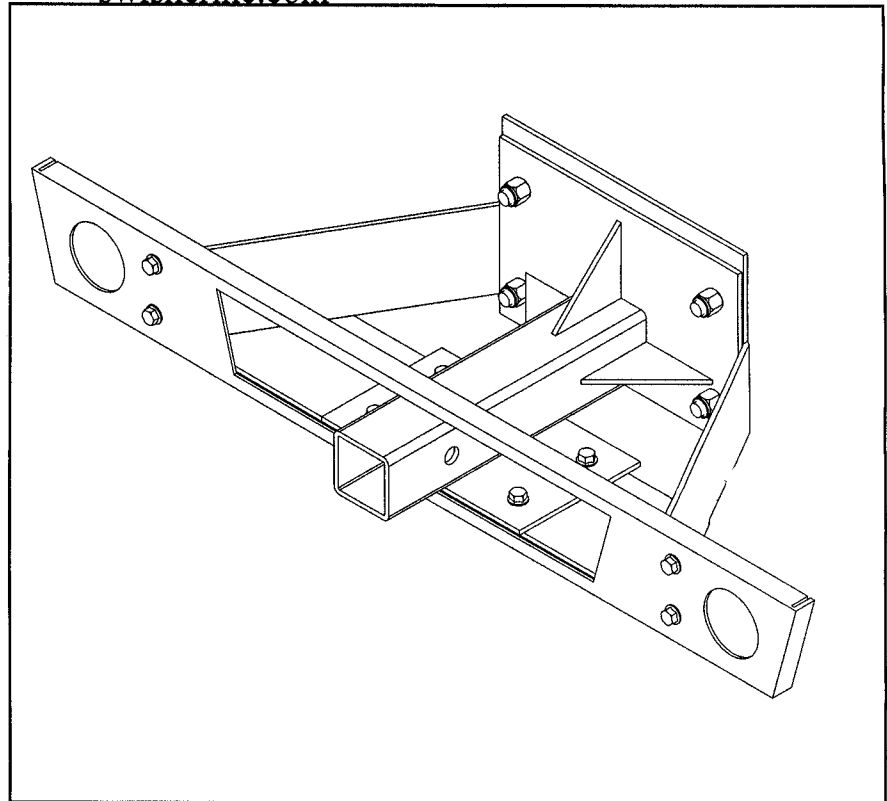
INSTRUCTION SHEET

MODEL NO.
12268



IMPORTANT
Read and follow all
Safety Precautions
and Instructions
before operating this
equipment.

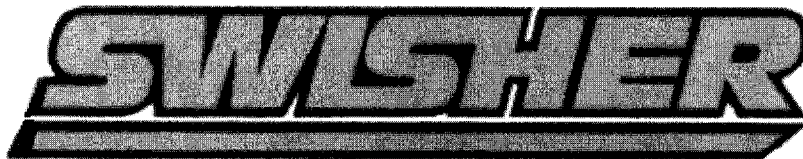
Rev 06-006



RECEIVER HITCH

SnapporPro Turf/Trall Cruiser UTV

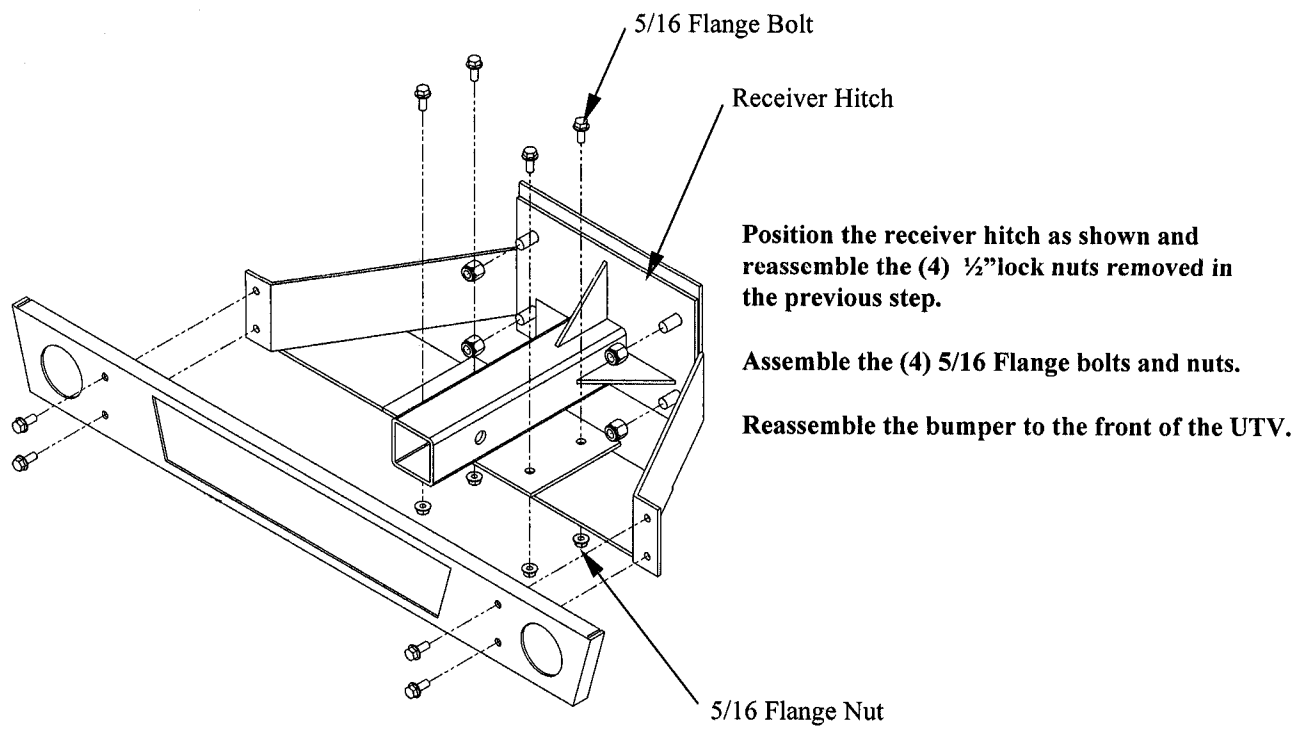
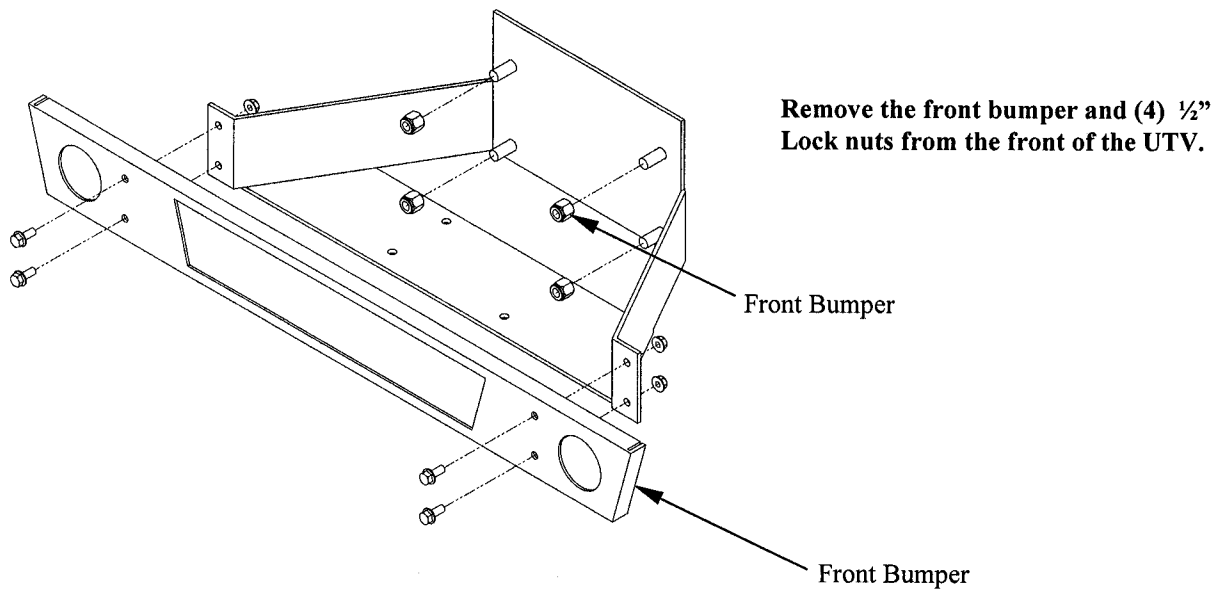
Installation
Replacement Parts



1602 CORPORATE DRIVE, P.O. BOX 67, WARRENSBURG, MISSOURI 64093
PHONE 660-747-8183 FAX 660-747-8650

Manufacturing quality lawn care equipment since 1945

Made In The
USA



QTY.	PART NO.	DESCRIPTION
1	12269TK	SNAPPER RECEIVER WELDMENT
4	NB596	5/16-18 x 3/4 SERRATED FLANGE BOLT
4	NB170	5/16-18 SERR FLANGE NUT

Free Manuals Download Website

<http://myh66.com>

<http://usermanuals.us>

<http://www.somanuals.com>

<http://www.4manuals.cc>

<http://www.manual-lib.com>

<http://www.404manual.com>

<http://www.luxmanual.com>

<http://aubethermostatmanual.com>

Golf course search by state

<http://golfingnear.com>

Email search by domain

<http://emailbydomain.com>

Auto manuals search

<http://auto.somanuals.com>

TV manuals search

<http://tv.somanuals.com>