



swisherinc.com

OWNER'S MANUAL

SERIAL # AFTER
L100313001

MODEL NO.

T844CH

T10544CH

T10544B

T844CH-12V

T1244CH-12V

T8544SP

T12544CH

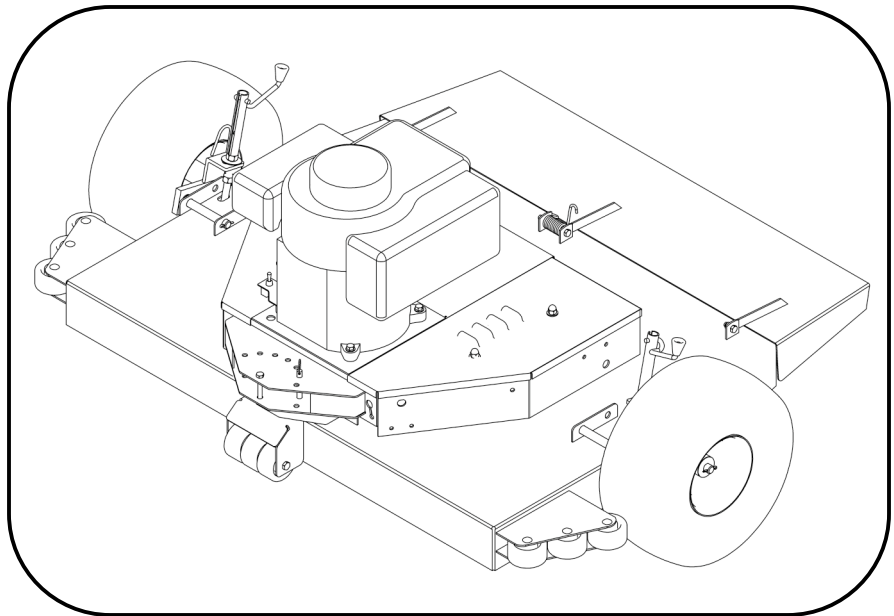
T10544TSP

T10544BSP

IMPORTANT

Read and follow all Safety
Precautions and
Instructions before
operating this equipment.

Rev.01.12.2002



44" FINISH CUT TRAILMOWER

**Assembly
Operation
Service and Adjustment
Repair Parts**

1602 CORPORATE DRIVE, WARRENSBURG, MISSOURI 64093 PHONE 660-747-8183
FAX 660-747-8650

Manufacturing quality lawn care equipment since 1945

Made In The

USA

ONT44SPH

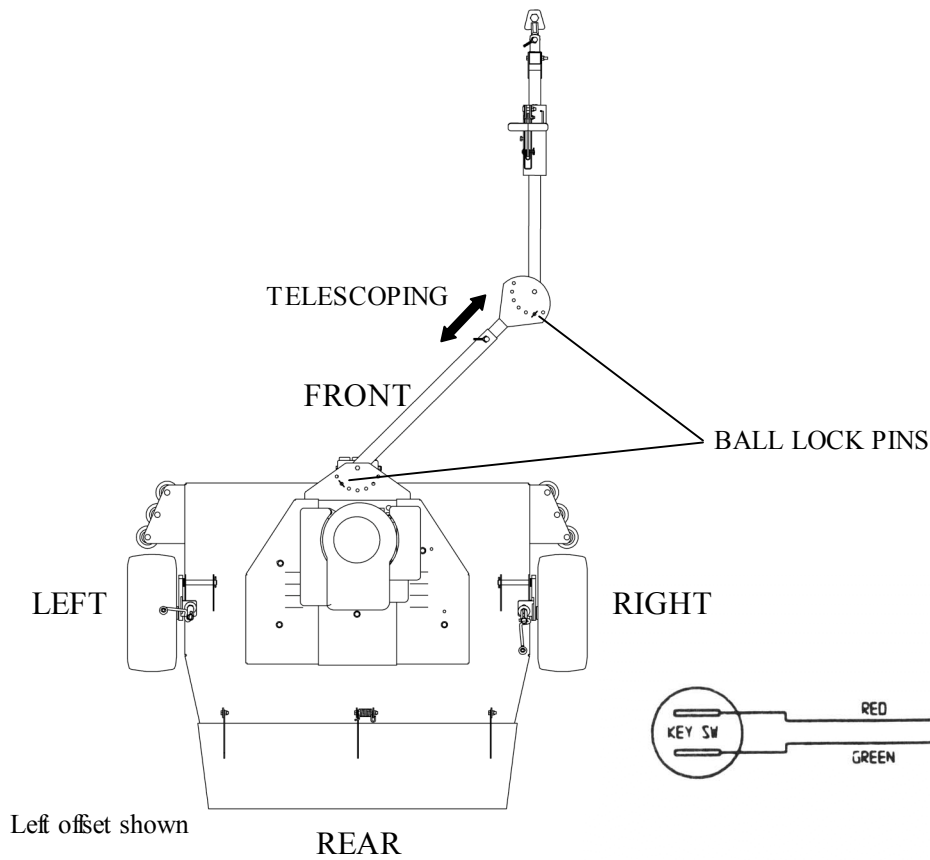
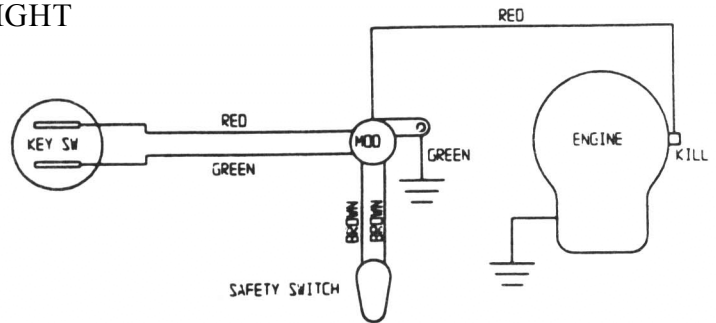


FIGURE ONE



T44 RECOIL START

Slide plastic tube snug against toggle switch.

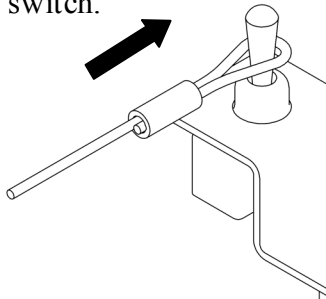
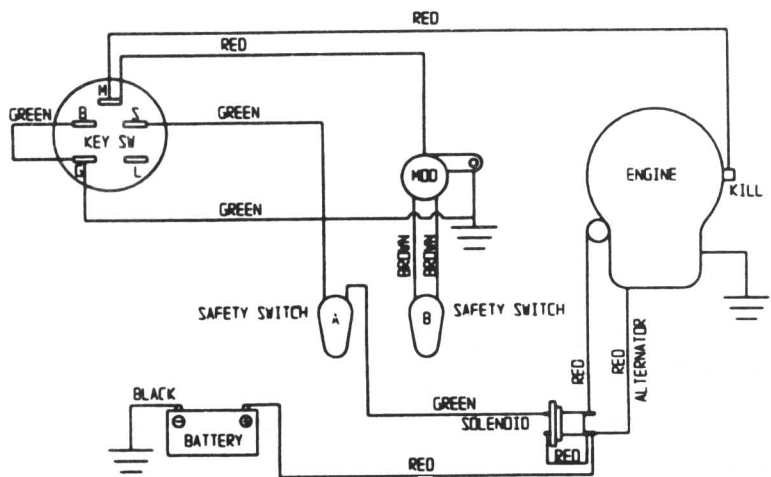


FIGURE TWO



T44 12 VOLT START

FIGURE THREE

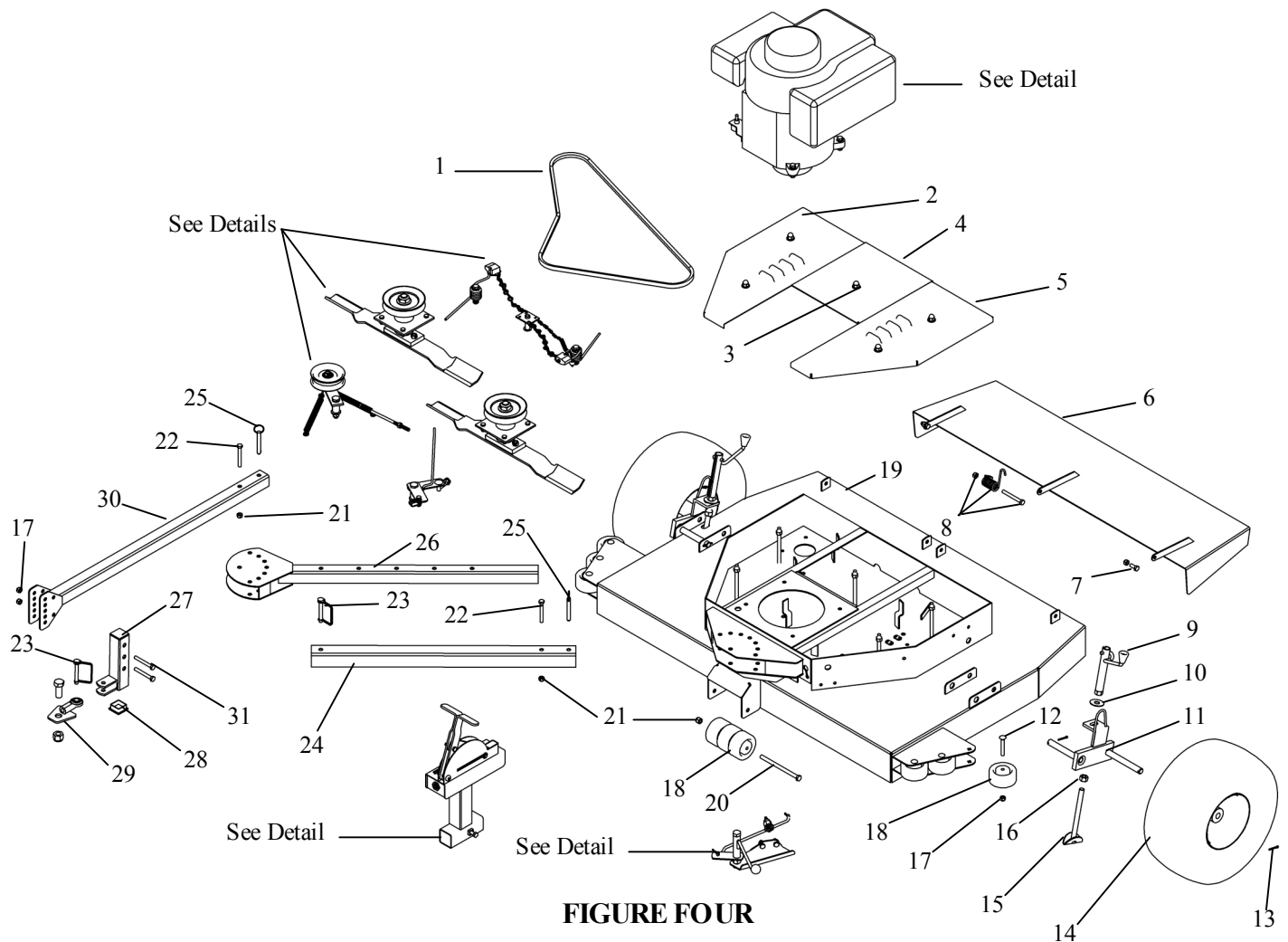


FIGURE FOUR

DUAL HEIGHT ADJUST MODELS

ITEM #	DESCRIPTION	PART #
1	BELT	BA66
2	RIGHT BELT COVER	A44155R*
3	ACORN NUT/WASHER	NB120/NB272
4	REAR BELT COVER	4430TK
5	LEFT BELT COVER	A44155L*
6	GRASS CHUTE	H41ATK
7	5/16 BOLT/NUT	NB143/NB181
8	SPRING/BOLT/NUT	H41AS/NB106/NB181
9	HEIGHT ADJUSTER	H7N
	TUBE	H7N1TK
	KNOB	H7K
	ARM	ES214
	RULER DECAL	OD41
	5/16 PAL NUT	NB276
10	THIN WASHER	TR150W
11	LEFT AXLE	H6L44*
	RIGHT AXLE	H6R44*
12	5/16 CARRIAGE BOLT	NB110
13	COTTER PIN	NB126

ITEM #	DESCRIPTION	PART #
14	TIRE/WHEEL	F44157
15	HEIGHT ADJUST BOLT	H4
16	ADJUST NUT	NB213Z
17	5/16 NUT	NB181
18	ANTI-SCALP ROLLER	AS001
19	DECK WELDMENT	4496*
20	3/8 BOLT	NB575
21	3/8 NUT	NB182
22	3/8 BOLT	NB221
23	HITCH PIN	H11
24	STRAIGHT HITCH	4473*
25	BALL LOCK PIN	NB520
26	FAN HITCH	4472*
27	"L" HITCH	H1
28	PLUG	H1P
29	SWIVEL HITCH	H10
	BOLT/NUT	NB145Z/NB561
30	FRONT HITCH	4470*
31	5/16 BOLT	NB138

* = USE PAINT CODE:

C=RED,G=GREEN;S=SLIVER

EX: A44155RC; 4473G

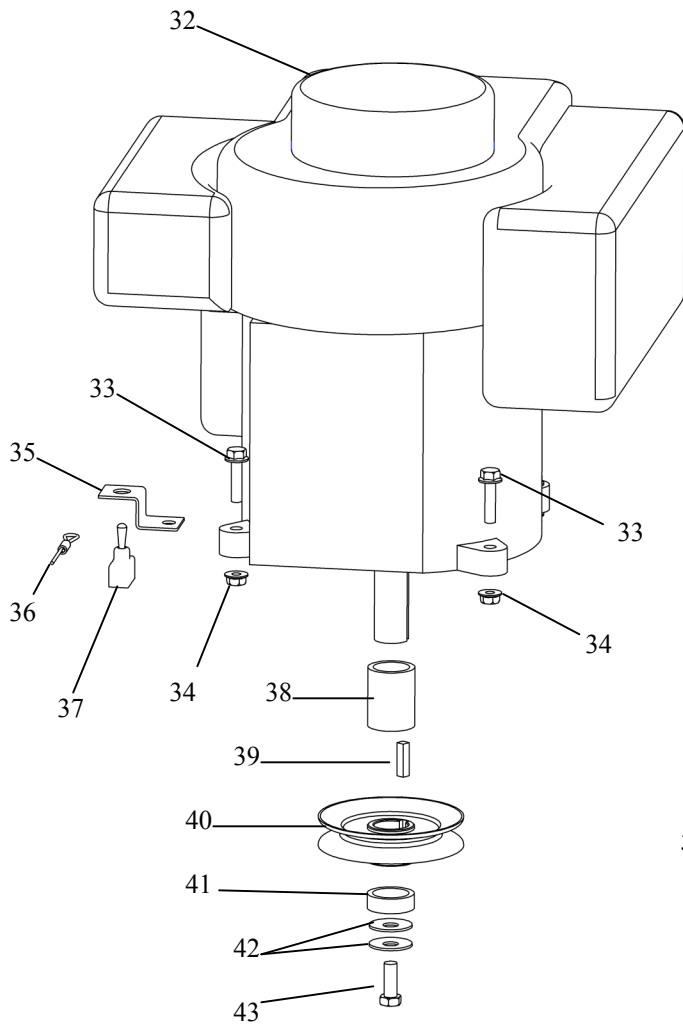
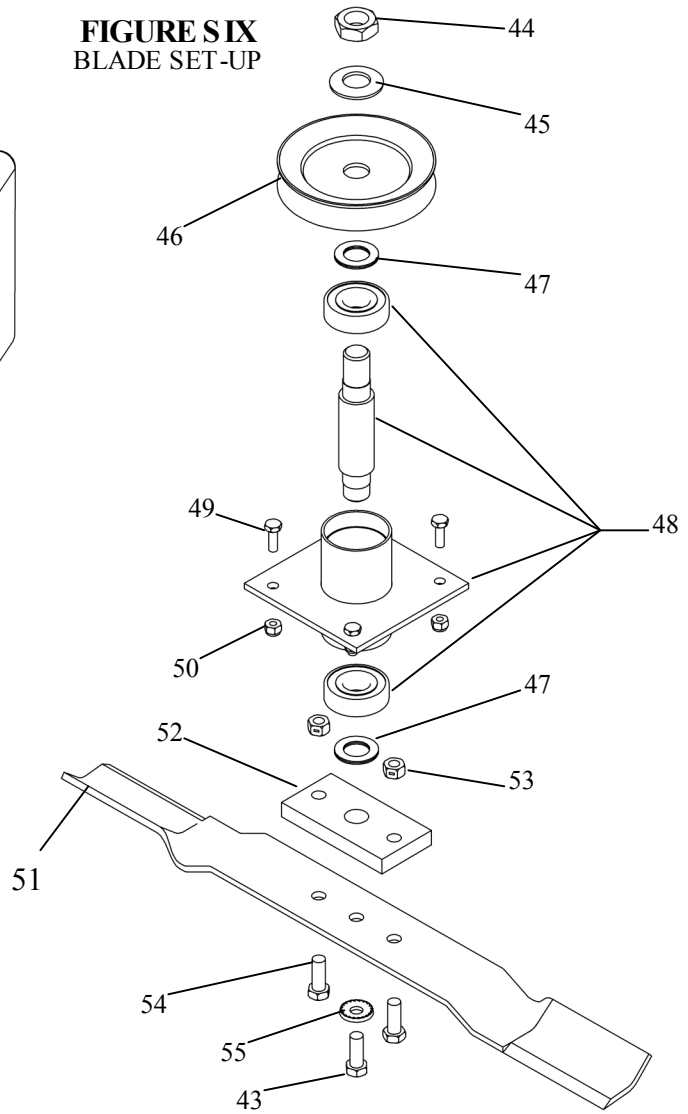


FIGURE FIVE
ENGINE SET-UP

ITEM #	DESCRIPTION	PART #
32	ENGINE	NOT AVAILABLE
33	5/16 BOLT	NB253
34	5/16 NUT	NB170
35	TOGGLE BRACKET	4483TK
36	SAFETY TETHER	6736
37	TOGGLE SWITCH	685SP
38	UPPER ENG. SPACER	BB105S
39	1/4 X 1 KEY STOCK	9031
40	ENG. PULLEY	BB105
41	LOWER ENG. SPACER	BB105SL
42	BELLEVILLE WASHER	699
43	3/8 BOLT	NB238N
	OIL DRAIN VALVE & CAP	AS122/AS123
	MODULE & SCREW	MOD1/NB137

FIGURE SIX
BLADE SET-UP



ITEM #	DESCRIPTION	PART #
44	3/4 NUT	NB175
45	UPPER BELLEVILLE	AS155
46	BLADE PULLEY	B4104
47	THIN WASHER	NB179
48	BLADE DRIVER	9085
	BEARING	B98
	5" SHAFT	9077
	BEARING HOUSING	B99TK
49	1/4 BOLT	NB250
50	1/4 NUT	NB180
51	22" BLADE	9005
52	BLADE MOUNT PLATE	9008
53	3/8 NUT	NB216
54	3/8 BOLT	NB238
55	LOWER BELLEVILLE	NB607

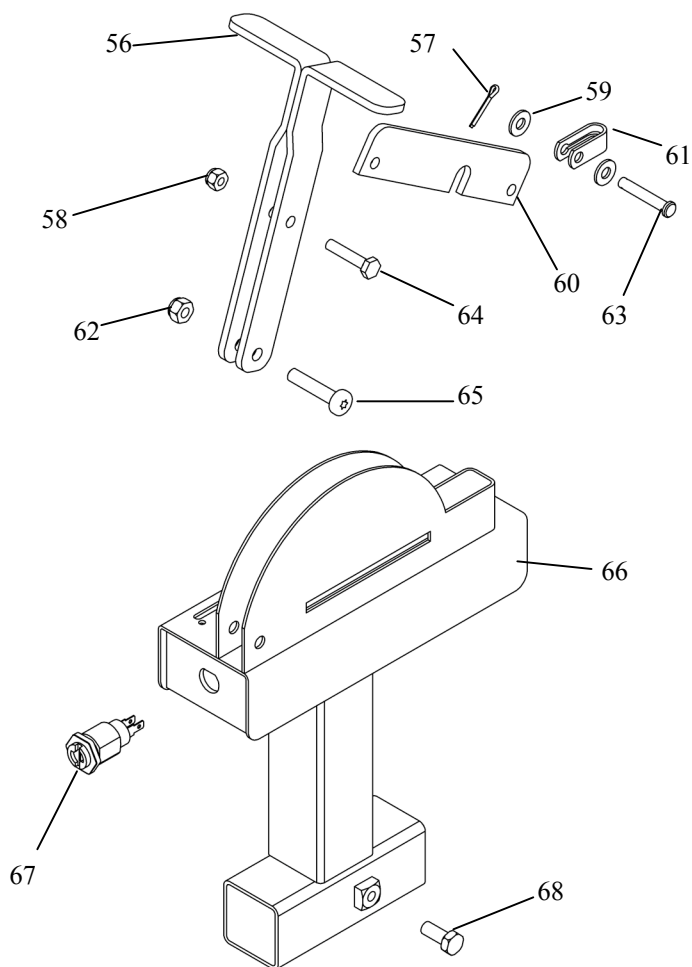


FIGURE SEVEN
T-HANDLE OPTION

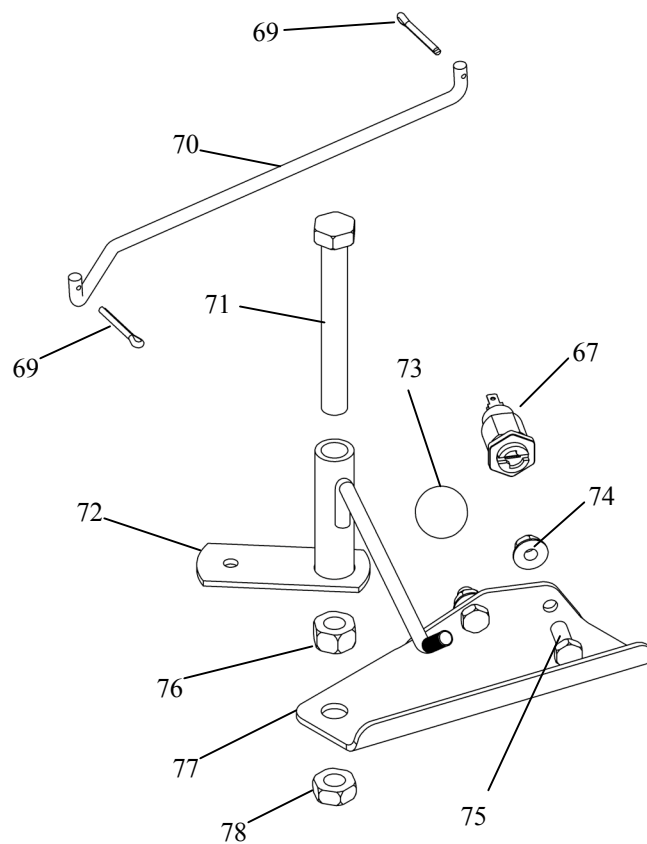


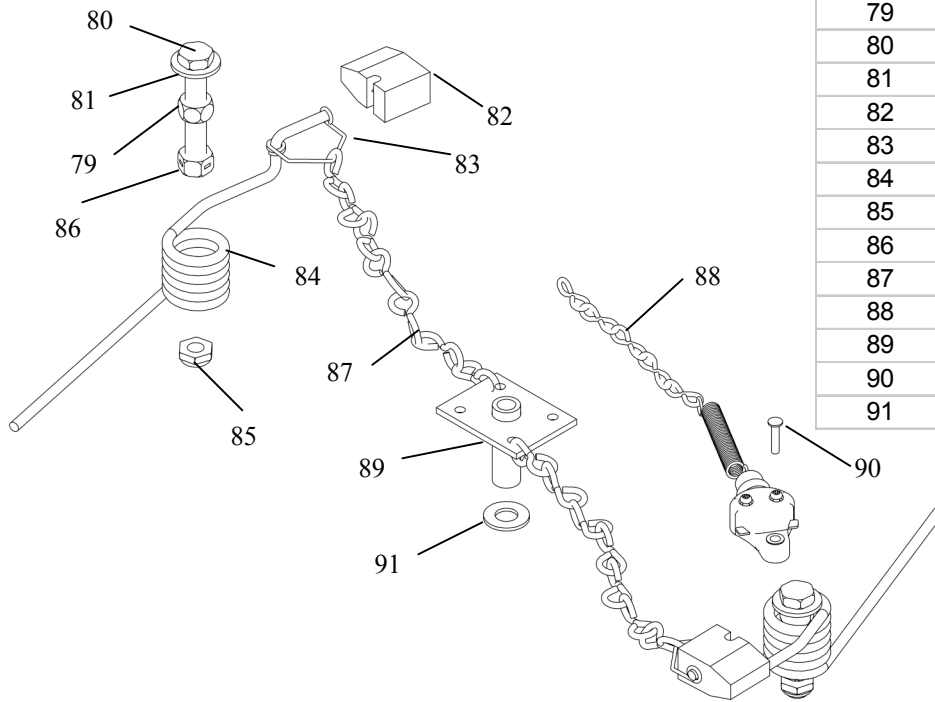
FIGURE EIGHT
STANDARD ENGAGE

ITEM #	DESCRIPTION	PART #
56	T-HANDLE LEVER	4463TK
57	COTTER PIN	NB597
58	1/4 BOLT	NB180
59	WASHER	NB274
60	ENGAGE LINK	4461TK
61	CABLE CLEVIS	9023MOD
62	5/16 NUT	NB181
63	CLEVIS PIN	NB518
64	1/4 BOLT	NB560
65	5/16 TORX BOLT	NB591
66	CONSOLE WELDMENT	4464TK
67	KEY SWITCH (RECOIL)	KSM
	KEY SWITCH (12 VOLT)	KS12
68	WING BOLT	NB523
	T-HANDLE ACCESSORY KIT	4498
	BLADE ENGAGE DECAL	OD10
	ON/OFF DECAL	OD99
	12 VOLT ON/OFF DECAL	OD28

ITEM #	DESCRIPTION	PART #
69	COTTER PIN	NB126
70	ENGAGE LINKAGE	4534*
71	1/2 BOLT	NB132
72	ENGAGE LEVER	4537*
73	HANDLE KNOB	B19BLACK
74	1/4 NUT	NB524
75	1/4 BOLT	NB250
76	1/2 NUT	NB213Z
77	ENGAGE LEVER BRACKET	4535*
78	1/2 NUT	NB121
	ON/OFF DECAL	OD10

* = USE PAINT CODE:
C=RED,G=GREEN;S=SLIVER

EX: A44155RC; 4473G



ITEM #	DESCRIPTION	PART #
79	3/8 NUT	NB212
80	3/8 BOLT	NB231
81	WASHER	NB271
82	BRAKE PAD	BP370
83	BRAKE PAD CLIP	BP370S
84	BRAKE SPRING	BT297
85	3/8 NUT	NB207
86	3/8 NUT	NB280
87	BRAKE CHAIN (9 LINKS)	AS080
88	SAFETY SWITCH	SSSC
89	BRAKE PIVOT	4097TK
90	#6 SCREW	NB259
91	WASHER	NB196

FIGURE NINE
BRAKE ASSEMBLY

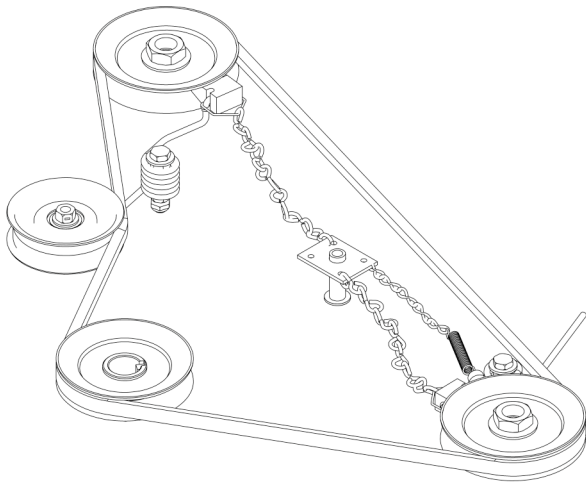


FIGURE TEN
BELT CONFIGURATION

PARTS NOT SHOWN

WIRING HARNESSES	
STANDARD ENGAGE	WH44CHNCB
T-HANDLE OPT. W/ B&S ENGINE	WH44CHB
T-HANDLE OPT. W/ TEC. ENGINE	WH44CHT
T-HANDLE OPT. W/ 12 VOLT START	WH44B12V
BLADE ENGAGE CABLE	9074
12 VOLT MODELS	
BATTERY (12N12A) RECOMMENDED	SOLD SEPARATELY
SOLENOID	9043
BATTERY CABLE - POSITIVE	BCSR
BATTERY CABLE - NEGATIVE	BCS
EXTRAS	
VELCRO STRAPS	7033
SWISHER DECAL	OD99116
44" DECAL	OD99119

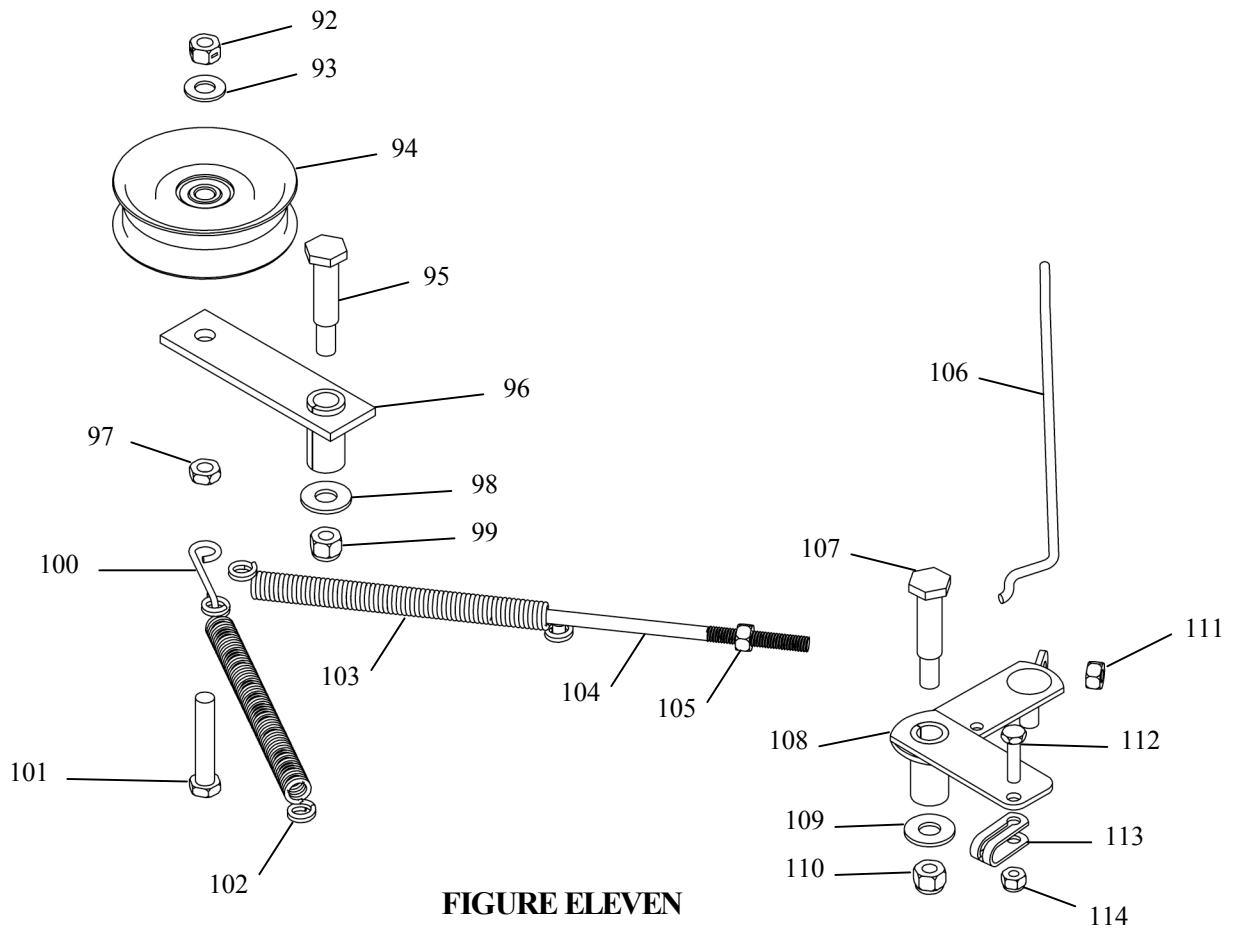


FIGURE ELEVEN
ENGAGE / TENSION ASSEMBLY

ITEM #	DESCRIPTION	PART #
92	3/8 LOCK NUT	NB280
93	WASHER	NB272
94	IDLER PULLEY	B527
95	1/2 SHOULDER BOLT	NB220
96	IDLER ARM OFFSET	687RTK
97	3/8 JAM NUT	NB174
98	WASHER	NB271
99	3/8 NYLOK NUT	NB182
100	WIRE LINK	BRS6H
101	3/8 BOLT	NB231
102	CLUTCH ROD SPRING	682S
103	CLUTCH ROD SPRING	682S
104	PULL ROD	3123TK
105	5/16 NUT	NB210
106	BRAKE LINKAGE	BL370
107	1/2 BOLT	NB220
108	ENGAGEMENT ARM	4467TK
109	WASHER	NB271
110	3/8 NUT	NB182
111	5/16 NUT	NB210
112	1/4 NUT	NB102
113	CLUTCH CABLE	9023MOD
114	1/4-20 NYLOCK NUT	NB180

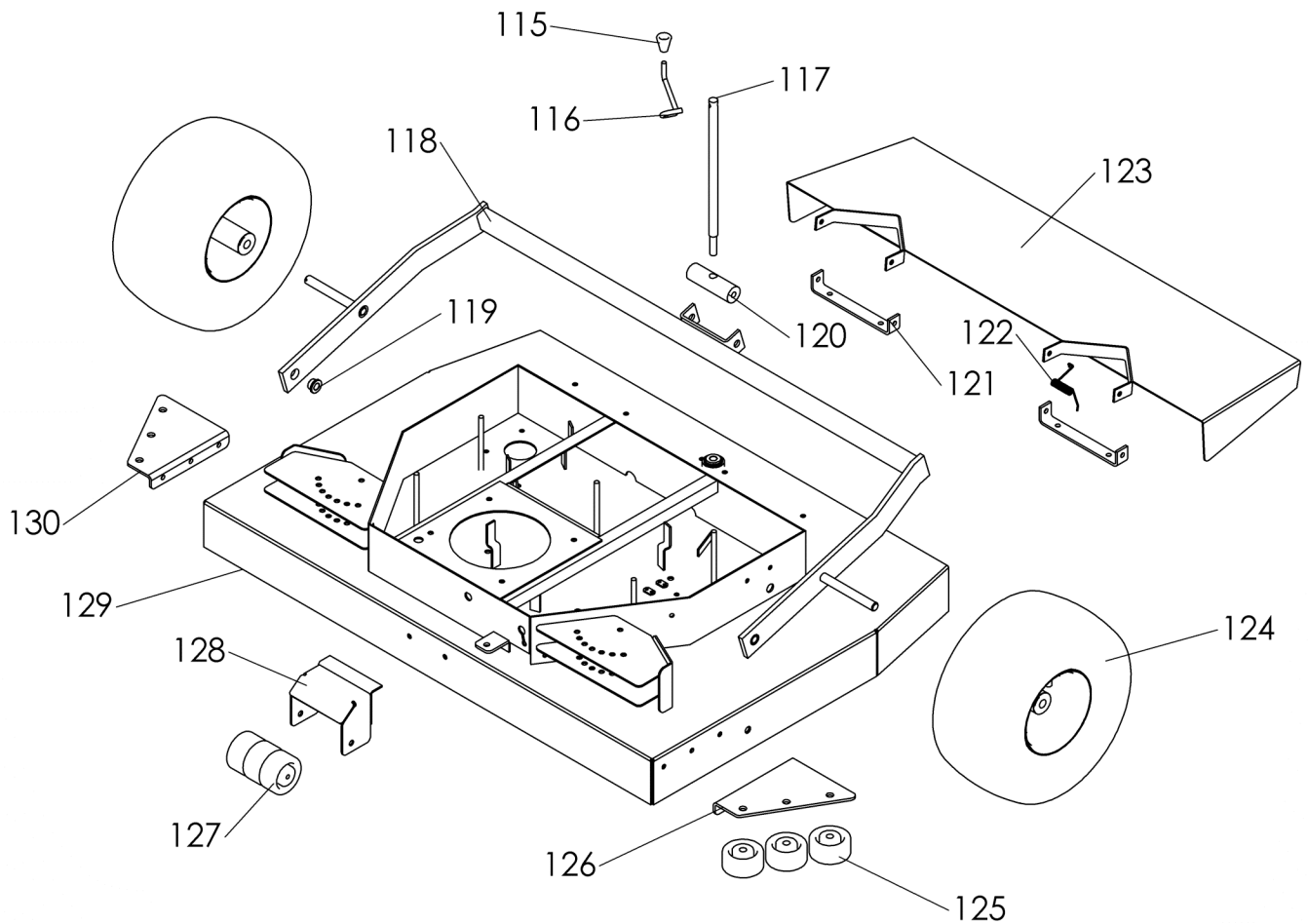


FIGURE TWELVE
SINGLE POINT HEIGHT ADJUST MODEL

ITEM #	DESCRIPTION	PART #
115	CRANK KNOB	H7K
116	CRANK HANDLE	ES214
117	CRANK ROD	4006
118	SINGLE POINT FRAME	4001TK
119	BUSHING	21008
120	PIVOT BLOCK	4007TK
121	GRASS CHUTE MOUNT	6030TK
122	CHUTE SPRING	9100
123	GRASS CHUTE	4019TK
124	TIRE/WHEEL/BEARING	F44157
125	ANTI-SCALP ROLLER 1/2"	AS003
126	LEFT ROLLER BRACKET	4015TK
127	ANTI-SCALP ROLLER 3/8"	AS001
128	FRONT ROLLER BRACKET	4018TK
129	UNIVERSAL MOUNT DECK	4017*
	CENTER HITCH DECK	4025*
130	RIGHT ROLLER BRACKET	4016TK
*	ADD PAINT CODE: C=RED;G=GREEN;S=SILVER	EX: 4017C;4025G



OWNER'S MANUAL

MODEL NO.

T844CH

T10544CH

T10544B

T844CH-12V

T1244CH-12V

T8544SP

T12544CH

T10544TSP

T10544BSP

44" FINISH CUT TRAILMOWER

HOW TO ORDER REPAIR PARTS:

Each TrailMower has its own serial number. Each engine has its own serial number. The serial number for the TrailMower will be found on the right hand side of the drive belt housing. The serial number for the engine will be found on the top of the blower fan housing.

All TrailMower parts listed herein may be ordered directly from Swisher Mower & Machine Co. Inc., your nearest Swisher dealer, or from our website. www.swisherinc.com All engine parts may be ordered from the nearest dealer of the engine supplied with your mower.

WHEN ORDERING PARTS, PLEASE HAVE THE FOLLOWING INFORMATION AVAILABLE:

- * PRODUCT - T-44 FINISH CUT TRAILMOWER
- * SERIAL NUMBER - _____
- * MODEL NUMBER - _____
- * ENGINE MODEL NUMBER - _____
TYPE - _____
- * PART NUMBER
- * PART DESCRIPTION

www.swisherinc.com
TELEPHONE - 1-800-222-8183
FAX - 1-660-747-8650

SWISHER MOWER & MACHINE CO. INC.
1602 CORPORATE DRIVE
WARRENSBURG, MO 64093

SWISHER MOWER & MACHINE CO. INC.

Free Manuals Download Website

<http://myh66.com>

<http://usermanuals.us>

<http://www.somanuals.com>

<http://www.4manuals.cc>

<http://www.manual-lib.com>

<http://www.404manual.com>

<http://www.luxmanual.com>

<http://aubethermostatmanual.com>

Golf course search by state

<http://golfingnear.com>

Email search by domain

<http://emailbydomain.com>

Auto manuals search

<http://auto.somanuals.com>

TV manuals search

<http://tv.somanuals.com>