

SHARP®

REFRIGERATOR-FREEZER OPERATION MANUAL

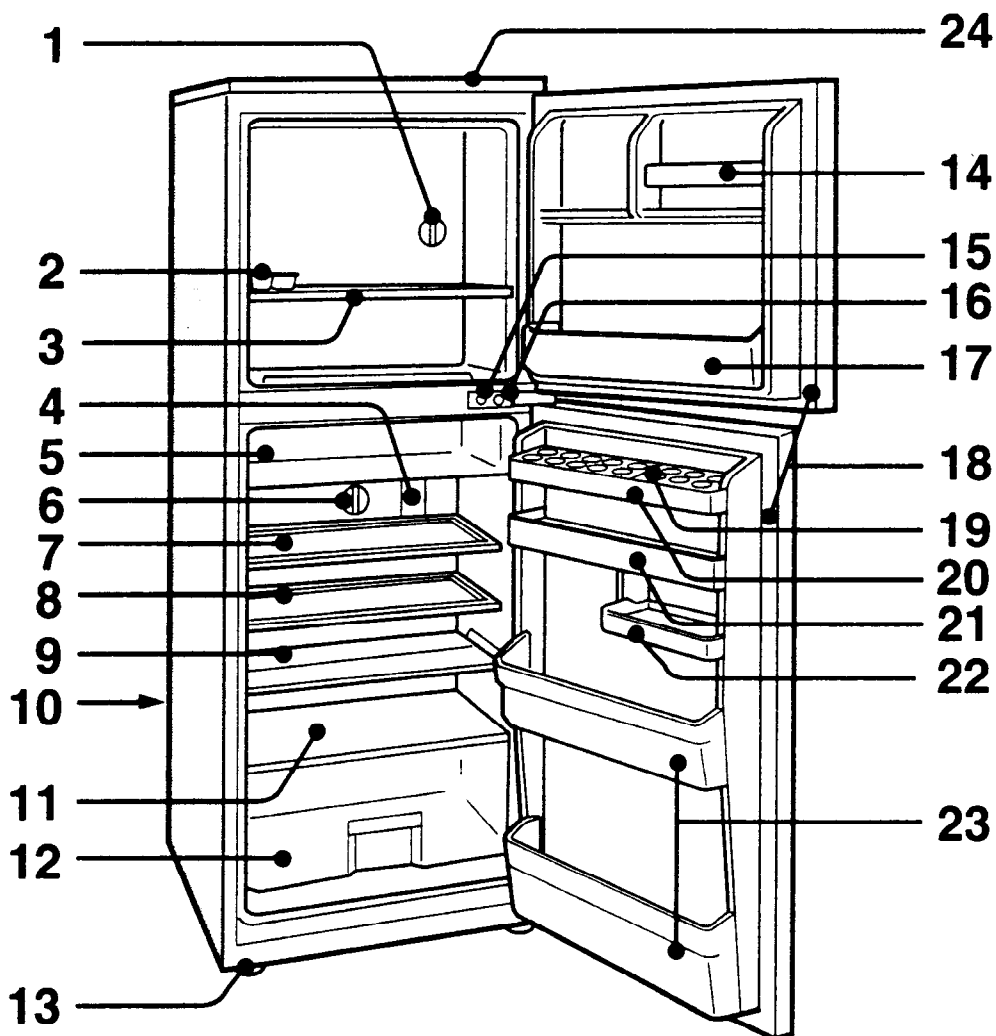
Model

SJ-24G

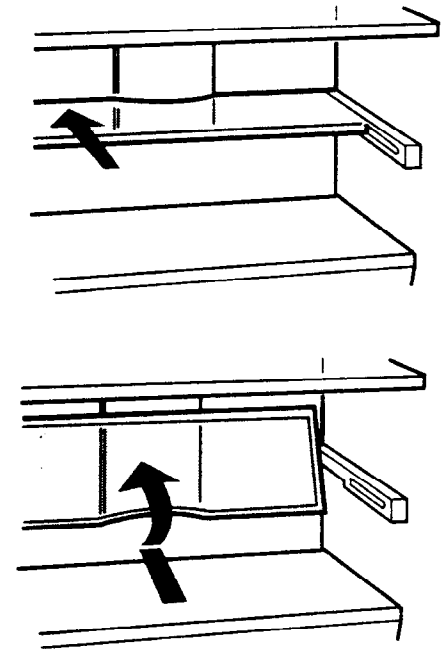
Thank you very much for buying this SHARP product.

Before using your SHARP refrigerator, please read this operation manual to ensure that you gain the maximum benefit from your new refrigerator.

DESCRIPTION



9. Three position adjustable shelf
This shelf has three positions, it can be partly or fully extended or be fully folded away simply by pushing the shelf back then lifting it up.

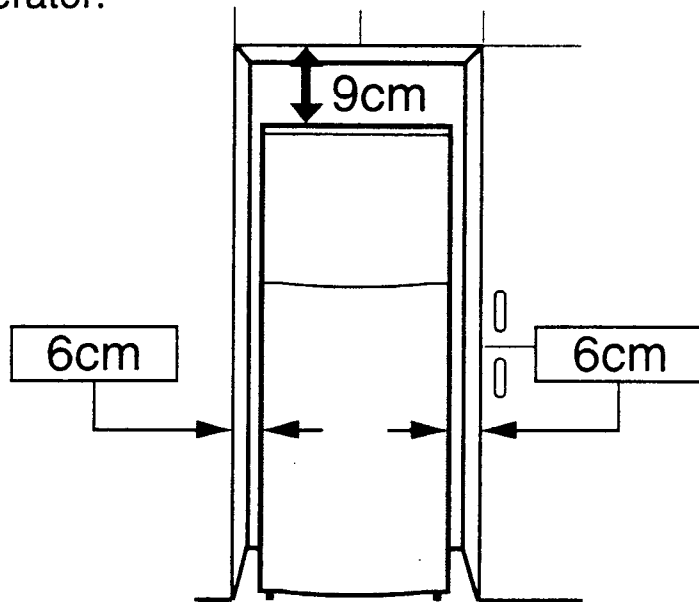


- 1. Freezer temp. control knob
- 2. Ice cube tray
- 3. Freezer shelf
- 4. Light
- 5. Chilled case
- 6. Refrigerator temp. control knob
- 7. Refrigerator shelf (SMALL)
- 8. Refrigerator shelf (LARGE)

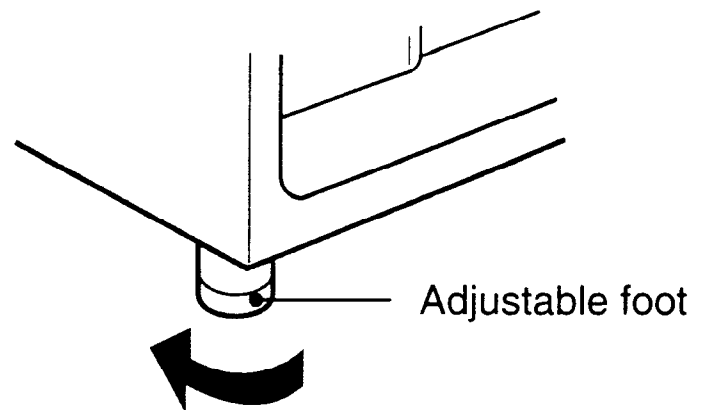
- 10. Evaporating pan(rear side)
- 11. Glass shelf
- 12. Fruit and vegetable crisper
- 13. Adjustable foot
- 14. Freezer shelf
- 15. Fan switch
- 16. Fan & light switch
- 17. Freezer pocket
- 18. Magnetic door seal
- 19. Egg holder
- 20. Egg pocket
- 21. Free pocket
- 22. Free set pocket
- 23. Bottle pocket
- 24. Table top

INSTALLATION

1. To ensure adequate ventilation for your refrigerator, install with 6 cm space at the rear and both sides, with a minimum space of 9 cm above the refrigerator.



2. Using the front Adjustable foot, ensure that the refrigerator is positioned firmly and level on the floor.



OPERATION

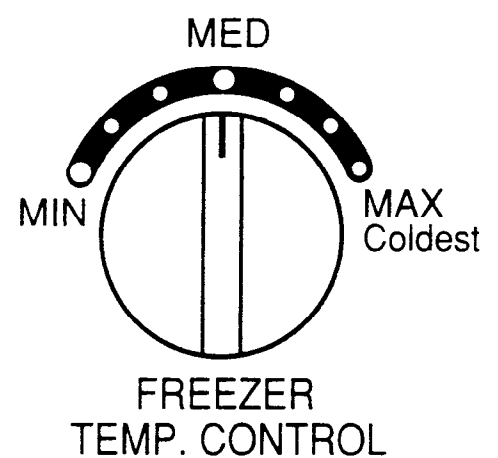
CONTROLLING TEMPERATURES

1. Initial setup

Initially, set both FREEZER and REFRIGERATOR temp. control knobs to the MED position until the temperatures have stabilized. Then make adjustments according to your needs.

2. Temperature adjustments

The overall temperature of the freezer and refrigerator is controlled by the FREEZER temp. control setting. During the warmer months, overall cooling can be increased by simply turning the FREEZER temp. control towards the MAX position. Note that when the freezer is adjusted, the refrigerator temperature will also change automatically.



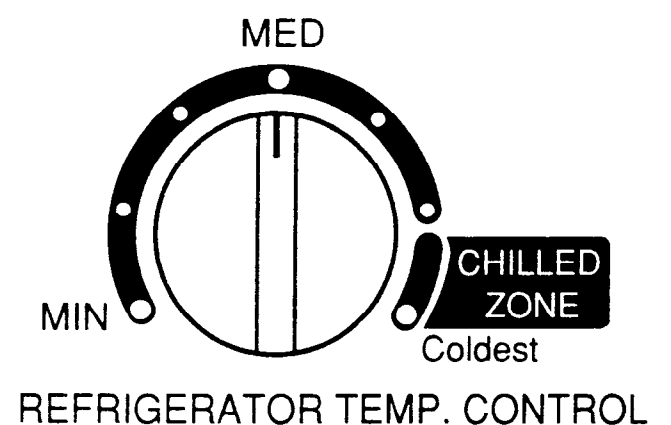
FREEZER TEMP. CONTROL

3. Refrigerator temperature adjustment

Adjusting the REFRIGERATOR temp. control changes the temperature in the refrigerator by adjusting the cold airflow from the freezer into the fridge. This temperature adjustment is normally required only if the refrigerator is suddenly filled up or nearly emptied.

NOTE

When REFRIGERATOR temp. control knob is set to CHILLED ZONE position, some foods stored may freeze. In this case reset the knob back to the MED position.



REFRIGERATOR TEMP. CONTROL

3. Connect the power plug to a 230/240 volt 10 amp power point.

NOTES

- Keep your refrigerator out of direct sunlight.
- Don't place next to heat generating appliance.

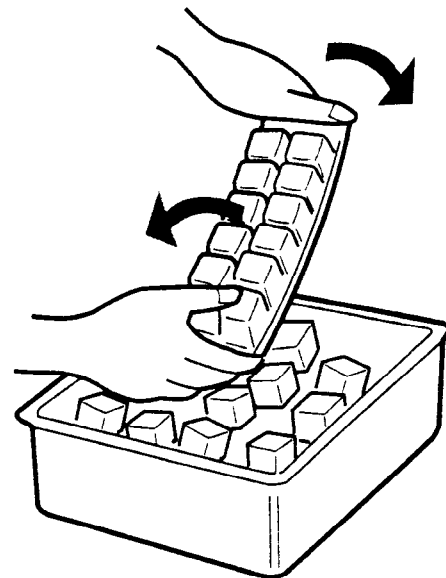
HINTS WHEN MAKING ICE

1. Do not over fill the Ice cube tray; otherwise the ice cubes will be joined together when frozen.
2. To make ice cubes quickly, set the FREEZER temp. control to MAX.

NOTE

Reset the FREEZER temp. control back to its original position as soon as the ice cubes are made; otherwise the food in the refrigerator may freeze.

3. When the ice cubes are made, hold the Ice cube tray upside down whilst twisting either end in opposite directions, allowing the ice cubes to drop out.



DEFROSTING

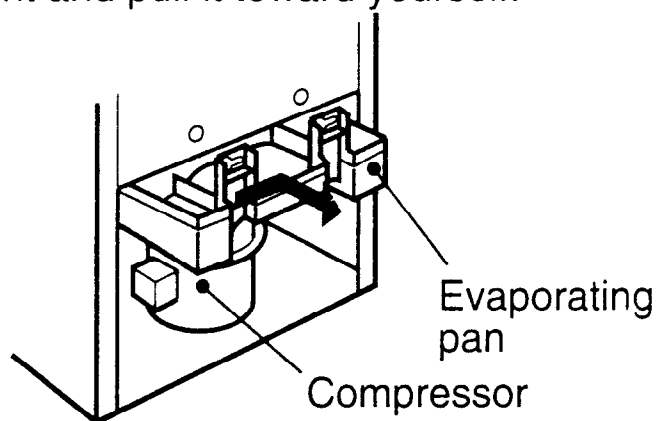
Defrosting is fully automatic due to a unique energy saving system. Whereby the defrost cycle start time is proportional to the running time of your refrigerator compressor, i. e., the less time the refrigerator compressor operates (during the winter season or you're away on holidays), the longer the time between each defrost cycle.

CARE AND CLEANING

1. Remove the shelves and pockets from the cabinet and door. Wash them in warm soapy dishwashing water; rinse in clean water and dry.
2. Clean the inside with a cloth soaked in warm soapy dishwashing water. Then wipe with cold water with a teaspoon of vanilla essence added to remove any odours.
3. Wipe the exterior with a soft cloth each time it is soiled. It is a good idea to occasionally polish the exterior with a car type polish to protect the paintwork and make cleaning easier.
4. Clean Magnetic door seal with a toothbrush and a warm water and household detergent mixture.
5. Whenever the refrigerator is moved to clean or reposition, Evaporating pan should be removed and cleaned.

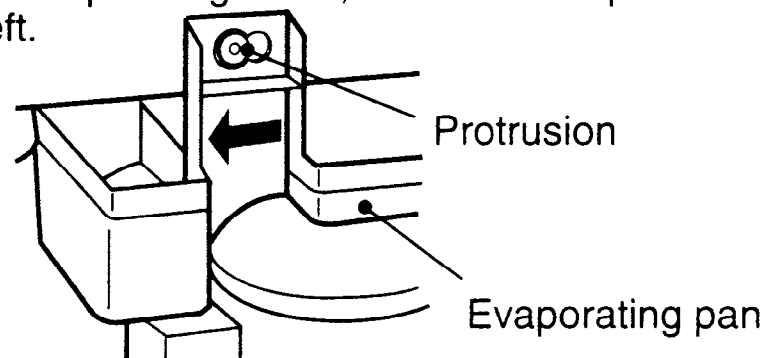
To remove Evaporating pan;

Move the Evaporating pan to the right and pull it toward yourself.



To set Evaporating pan;

Set the Evaporating pan so that the two protrusions on the machine come through its corresponding holes, and move the pan to the left.



NOTE

Do not use polishing powder, benzene, hot water etc.

Switching off your refrigerator

If you switch your refrigerator off when you are going away for an extended period, remove all food, clean the interior thoroughly. Remove the power cord plug from the power socket and leave both doors open.

WHAT TO DO BEFORE YOU CALL FOR SERVICE

Before you call for service, check the following point.

WHEN YOUR REFRIGERATOR DOES NOT WORK

- Check that the power is switched on and that the plug is correctly connected.
- Check with another appliance or lamp to see if the outlet has electric current. The fuse may be blown or a circuit breaker tripped.

WHEN THERE IS A NOISE DURING OPERATION

- Cabinet not level.
- Weak or uneven floor.
- The back of the cabinet touching the wall.
- During automatic defrosting, occasionally, a gurgling sound or the sound of parts expanding and contracting can be heard, these are quite normal.

IT IS NORMAL that the outside of a cabinet may be hot when touch. The hot pipe is in the cabinet in order to prevent the dew generation.

IF YOU STILL REQUIRE SERVICE

Refer to your nearest Service centre approved by SHARP.

NOTE Should the flexible supply cord be damaged, it must be replaced by Service centre approved by SHARP as a special cord is required.

STORING FOOD IN THE REFRIGERATOR

Refrigeration reduces the rate of food spoilage. To maximise the shelf life of perishable food products, ensure that the food is of the freshest possible quality. The table below is a general guide to help promote longer food storage.

FOOD

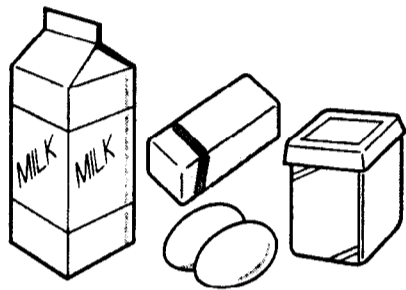
STORAGE

Fruit / Vegetables



To minimise moisture loss, fruit and vegetables should be loosely enclosed in a plastic material e.g. wrap, bags (do not seal) and place in the fruit and vegetable crisper. Those fruits and vegetables with thick skins e.g. oranges do not require wrapping.

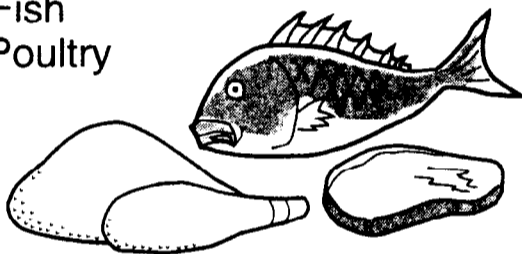
Dairy Products & Eggs



a) Most dairy products have a used by date on the outer packaging which informs the recommended temperature and shelf life of the product.

b) Eggs should be stored on the egg holder provided.

Meats (Fresh)
Fish
Poultry



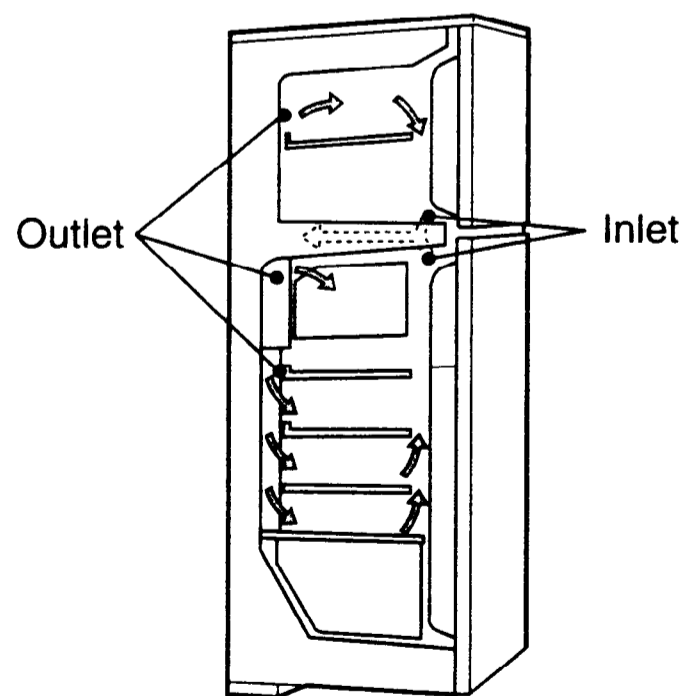
Place on a plate or dish and cover with paper or plastic wrap. If possible, place in the cold chilled room above the top shelf. For larger cuts of meat, fish or poultry place to the rear of the shelves.

(Cooked)

Ensure all cooked food is wrapped securely or placed in an air tight container. Place on one of the lower shelves away from the fresh meats.

NOTE

1. Evenly place the food on the trays to allow the cooling air to circulate efficiently.
2. Hot foods should be cooled before storing. Storing hot foods increases the temperature in the unit and increases the risk of food spoilage.
3. Do not block the outlet and inlet of the cool air circulating circuit with foods or containers; otherwise the foods will not be evenly cooled throughout the refrigerator.
4. Do not place food directly in front of cold air outlet. This may lead to the food freezing.



→ mark means cool air flow.

FOR BEST FREEZING

1. Quality of foods should be fresh.
2. Freeze small quantities of food at a time to freeze them quickly.
3. Food should be properly stored or covered and the air should be removed to seal tightly.
4. Evenly place the food in the freezer.
5. Label bags or containers to keep an inventory of freezing food.

WARNING

1. This refrigerator is airtight. TO PREVENT FATAL ACCIDENTS TO CHILDREN, please completely remove the door prior to discarding the refrigerator.
2. Highly volatile and inflammable materials such as ether, petrol, propane gas, adhesive agents and pure alcohol etc. are liable to explode.
Do not store these materials in the refrigerator.
3. This refrigerator is not suitable for the storage of materials requiring precise temperatures.
4. Do not touch the compressor unit, as it can become extremely hot during operation.
5. To prevent damage to the outer cabinet, avoid contact with highly combustible materials such as lacquer and paint.
6. When cleaning your refrigerator, do not splash water directly on the outer cabinet or the interior. This may lead to rusting and deterioration of the electrical insulation.
7. If any areas adjacent to electrical components have to be cleaned, unplug the refrigerator first then wipe the area with a dry cloth.

CAUTION

1. If the power supply is accidentally disconnected please wait for at least 5 minutes before connecting back the power, as back pressure in the compressor may trip the overload relay.
2. Avoid removing food from the freezer with your bare hands. Directly touching products stored at sub-zero temperatures can result in frostbite.
3. In high humidity conditions, please empty the drain water from the evaporating pan more often to avoid overflowing.
4. To prevent accidental power stoppage, plug the refrigerator directly to the source.
Do not use a double adaptor as loss of power could lead to the spoiling of the stored food.
5. Do not place bottles in the freezer as they may crack when frozen.
6. Keep the door securely closed. If the door is left ajar, the controlled inner temperature will rise, resulting in food spoilage and increased electricity costs.

SPECIFICATION

Model	SJ-24G	Model	SJ-24G
Rated voltage	230/240V~	Refrigerant	HFC-134a
Rated frequency	50Hz	Charge (g)	95
Rated input (W)	130/134	Rated storage volume (L)	211
Rated input of heating elements (W)	140/152	Rated gross volume (L)	229
Internal lamp input (W)	10 max	Classification (AS1430)	5

SHARP CORPORATION Osaka, Japan
SHARP CORPORATION OF AUSTRALIA PTY.LTD.
A. C. N. 003 039 405

1 HUNTINGWOOD DRIVE, HUNTINGWOOD, BLACKTOWN. N.S.W. 2148
P.O.BOX 827, BLACKTOWN. N.S.W.2148

Free Manuals Download Website

<http://myh66.com>

<http://usermanuals.us>

<http://www.somanuals.com>

<http://www.4manuals.cc>

<http://www.manual-lib.com>

<http://www.404manual.com>

<http://www.luxmanual.com>

<http://aubethermostatmanual.com>

Golf course search by state

<http://golfingnear.com>

Email search by domain

<http://emailbydomain.com>

Auto manuals search

<http://auto.somanuals.com>

TV manuals search

<http://tv.somanuals.com>