

SHURE®

LEGENDARY
PERFORMANCE™

PG ALTA™ SERIES
WIRED MICROPHONE

PGA181 USER GUIDE



© 2015 Shure Incorporated
27A27346 (Rev. 3)



PGA181

PG Alta Microphones

Congratulations on the purchase of a new Shure PG Alta series microphone. The PG Alta series delivers professional quality audio at an affordable price, with solutions for capturing nearly any source, including voice, acoustic instruments, drums, and amplified electric instruments. Suitable for live and studio applications, PG Alta microphones are built to last, and meet the same rigorous quality testing standards that make all Shure products trustworthy and reliable.

- Place the microphone as close as practical to the desired sound source.
- Work close to the microphone for extra bass response.
- Use only one microphone to pick up a single sound source.
- For better gain before feedback, use fewer microphones.
- Keep the distance between microphones at least three times the distance from each microphone to its source ("three to one rule").
- Place microphones as far as possible from reflective surfaces.
- Add a windscreen when using the microphone outdoors.
- Avoid excessive handling to minimize pickup of mechanical noise and vibration.

General Rules for Use

- Do not cover any part of the microphone grille with your hand, as this will adversely affect microphone performance.
- Aim the microphone toward the desired sound source (such as the talker, singer, or instrument) and away from unwanted sources.

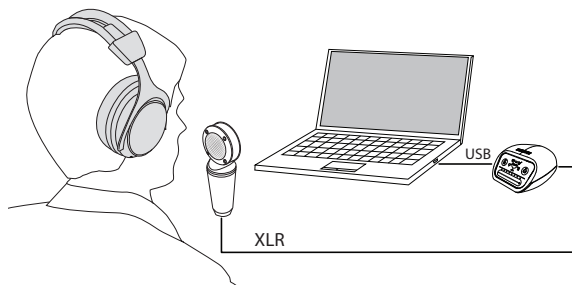
Connecting to a Mixer or Computer

Cables

Use only balanced (three-conductor) cables. Otherwise, the cable will not carry phantom power to the microphone. If using an adapter for 6.5mm (1/4") inputs, it must have tip-ring-sleeve (TRS) contacts.

Computer

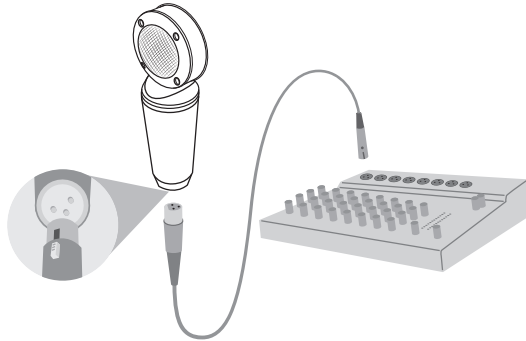
To deliver audio directly to a computer, use a USB audio interface with an XLR microphone input that provides +48V phantom power, such as the Shure MVi.



Connecting to a computer using the Shure MVi audio interface

Mixer

When connecting to a mixer, use only balanced, microphone-level inputs with phantom power. Most mixers have a switch for phantom power, so make sure phantom power is on for that channel.



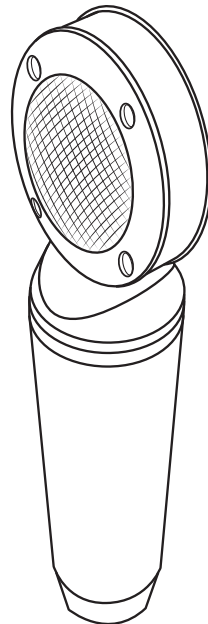
Phantom Power

All condenser microphones require phantom power to operate. This microphone performs best with a 48 V DC supply (IEC-61938), but it can operate with lower voltages.

Phantom power is provided by the mixer or audio interface that the microphone is connected to, and requires the use of a **balanced** microphone cable: XLR-to-XLR or XLR-to-TRS. In most cases, there is a switch or button to activate the phantom power. See the user guide for the mixer or interface for additional information.

Positioning the Microphone

The front of the microphone is marked by several indicators: four screws around the grille, the cardioid logo, and the PGA181 model number. Position this side toward the sound source.



Applications

The following table provides a basic starting point for several instruments. Shure offers additional educational publications on microphone placement and recording techniques. Visit www.shure.com for more information.

Application	Distance from source	Tips
Voice	1-3 inches (2-8 cm)	Use a pop filter (Shure PS-6) to prevent plosives.
Acoustic guitar	6-12 inches (15-30 cm)	Place near the sound hole for a full sound, or near the 12th fret for a balanced, natural sound.
Drums	3-6 feet (1-2 m)	Place in front of the drum kit to capture more of the kick drum, or as an overhead (above the kit, facing down) to capture more cymbals. Consider using additional Shure microphones placed on individual drums for more mixing flexibility and a thicker sound.
Amplifiers	1-6 inches (2-15 cm)	Aim towards the center of the speaker for a clear, aggressive sound, or towards the edge of the speaker for a mellow sound.
Strings or horns	1-6 feet (30 cm - 2 m)	For a single instrument, place the microphone close to the source. For a horn or string section, arrange players at an equal distance from the microphone.
Full band	3-10 feet (1-3 m)	Face the microphone towards the group, centered between instruments.

Tip: Close microphone placement results in a full sound due to the proximity effect. Placing the microphone farther from the source results in more room ambience.

Optional Accessories and Replacement Parts

7.6 m (25 ft.) Cable (XLR-XLR)	C25J
5/8" to 3/8" Thread Adapter	31A1856
4.6 m (15 ft.) Cable (XLR-XLR)	95D2153
Wireless Microphone Clip	WA371
Popper Stopper® Pop Filter with Metal Gooseneck and Microphone Stand Clamp	PS-6
Foam Windscreen for all larger Shure "ball-type" Microphones available in black, blue, gray, green, red and yellow	A58WS

Specifications

Type

Electret Condenser

Polar Pattern

Cardioid

Frequency Response

50 to 20,000 Hz

Output Impedance

at 1 kHz, open circuit voltage

120 Ω , actual

Sensitivity

at 1 kHz, open circuit voltage

-38 dBV/Pa [1] (12.7 mV)

Maximum SPL

1 kHz at 1% THD, 1 k Ω load

138 dB SPL

Polarity

Positive pressure on diaphragm produces positive voltage on pin 2 with respect to pin 3

Connector

Three-pin professional audio (XLR), male

Weight

383 g (0.8 lbs)

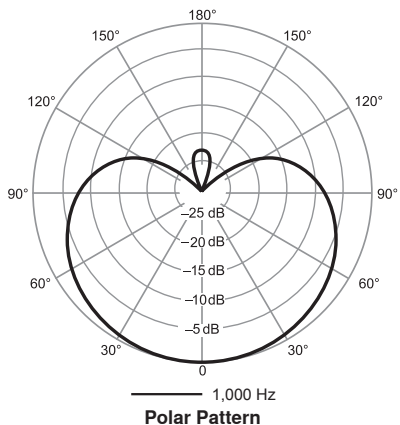
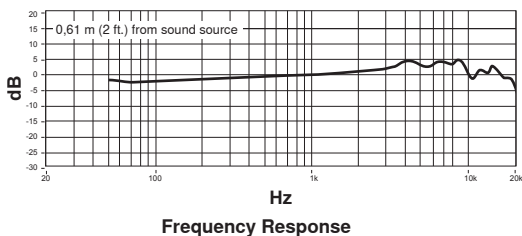
Housing

Cast Zinc

Power Requirements

48 V DC phantom power (4 mA)

[1] 1 Pa=94 dB SPL



Certifications

This product meets the Essential Requirements of all relevant European directives and is eligible for CE marking.

The CE Declaration of Conformity can be obtained from: www.shure.com/europe/compliance

Authorized European representative:

Shure Europe GmbH

Headquarters Europe, Middle East & Africa

Department: EMEA Approval

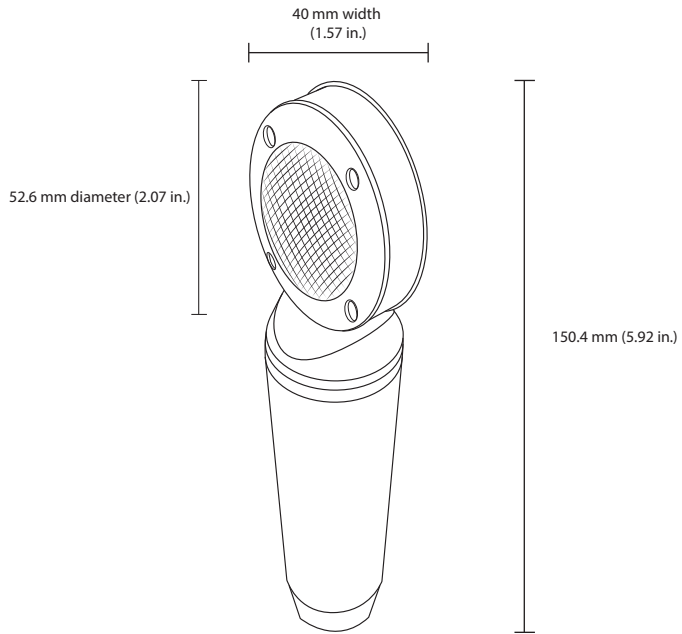
Jakob-Dieffenbacher-Str. 12

75031 Eppingen, Germany

Phone: 49-7262-92 49 0

Fax: 49-7262-92 49 11 4

Email: info@shure.de





©2014 Shure Incorporated

United States, Canada, Latin America, Caribbean:
Shure Incorporated
5800 West Touhy Avenue
Niles, IL 60714-4608 USA

Phone: 847-600-2000
Fax: 847-600-1212 (USA)
Fax: 847-600-6446
Email: info@shure.com

Europe, Middle East, Africa:
Shure Europe GmbH
Jakob-Dieffenbacher-Str. 12,
75031 Eppingen, Germany

Phone: 49-7262-92490
Fax: 49-7262-9249114
Email: info@shure.de

Asia, Pacific:
Shure Asia Limited
22/F, 625 King's Road
North Point, Island East
Hong Kong

Phone: 852-2893-4290
Fax: 852-2893-4055
Email: info@shure.com.hk

PT. GOSHEN SWARA INDONESIA
Kompleks Harco Mangga Dua Blok L No. 35 Jakarta Pusat

I.16.GSI31.00501.0211

Free Manuals Download Website

<http://myh66.com>

<http://usermanuals.us>

<http://www.somanuals.com>

<http://www.4manuals.cc>

<http://www.manual-lib.com>

<http://www.404manual.com>

<http://www.luxmanual.com>

<http://aubethermostatmanual.com>

Golf course search by state

<http://golfingnear.com>

Email search by domain

<http://emailbydomain.com>

Auto manuals search

<http://auto.somanuals.com>

TV manuals search

<http://tv.somanuals.com>