

SINGER

791D100A,D200A

MACHINE PARTS CHART

for

SINGER*

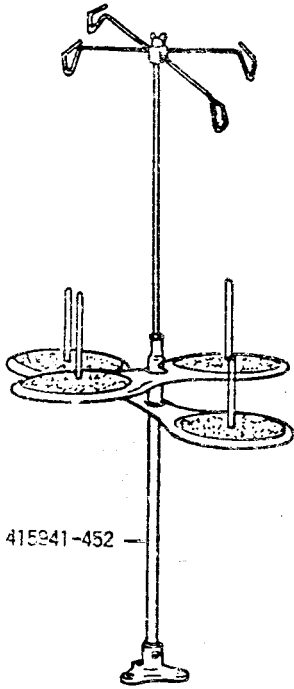
791 D100A

791 D200A

* A Trademark of THE SINGER COMPANY
Copyright© 1983 THE SINGER COMPANY
All Rights Reserved Throughout the World

ACCESSORIES

CAT. 3651-05



415941-452

415966

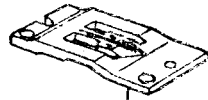
415967



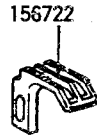
544208-001

792D 100A-NEEDLE GAUGE 3/16" (4.8mm)

415971-012



156723-012

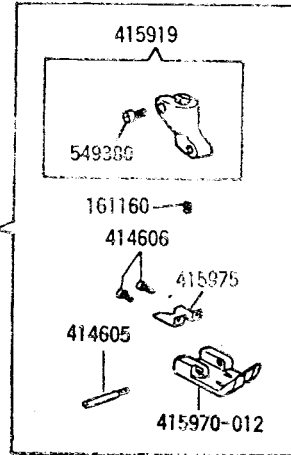


156722



518204

415969-012



415919

549380

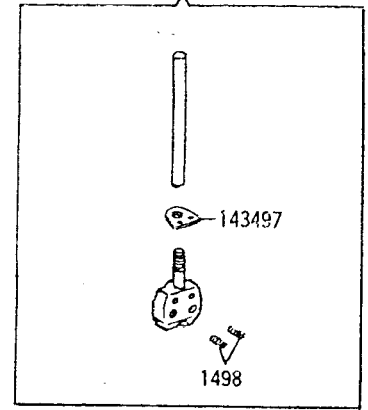
161160

414606

415975

414605

415970-012



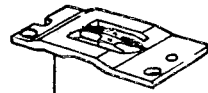
143497



1498

792D 100A-NEEDLE GAUGE 1/4" (6.4mm)

415971-016



156964

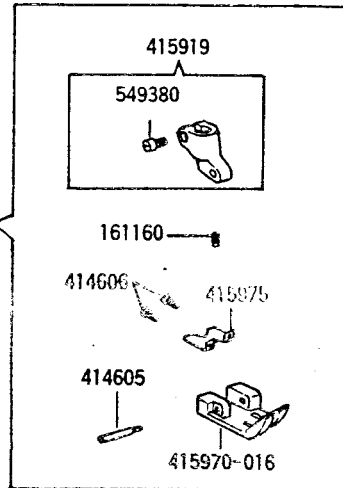


157190



518203

415969-016



415919

549380

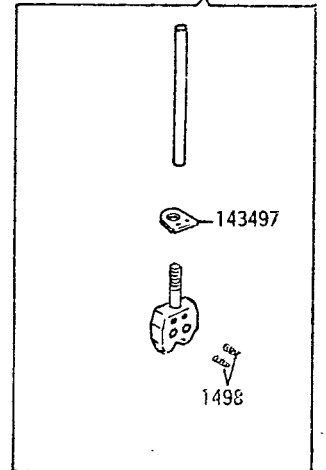
161160

414606

415975

414605

415970-016



143497



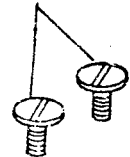
1498

AVAILABLE AT EXTRA CHARGE

792D 200A / 300A-NEEDLE GAUGE 3/16" (4.8mm)

415971-012

109051-823



156058



415974-003 (200A) (MH)
415974-012 (300A) (H)

415976-012



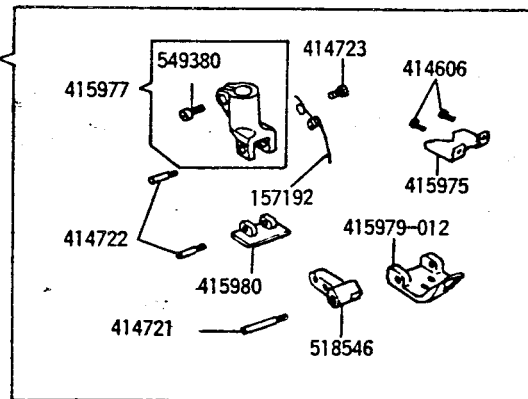
518550



518551



518204



415977

549380

414723

414606

415975

414722

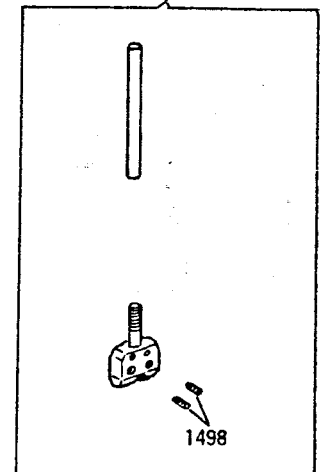
157192

415979-012

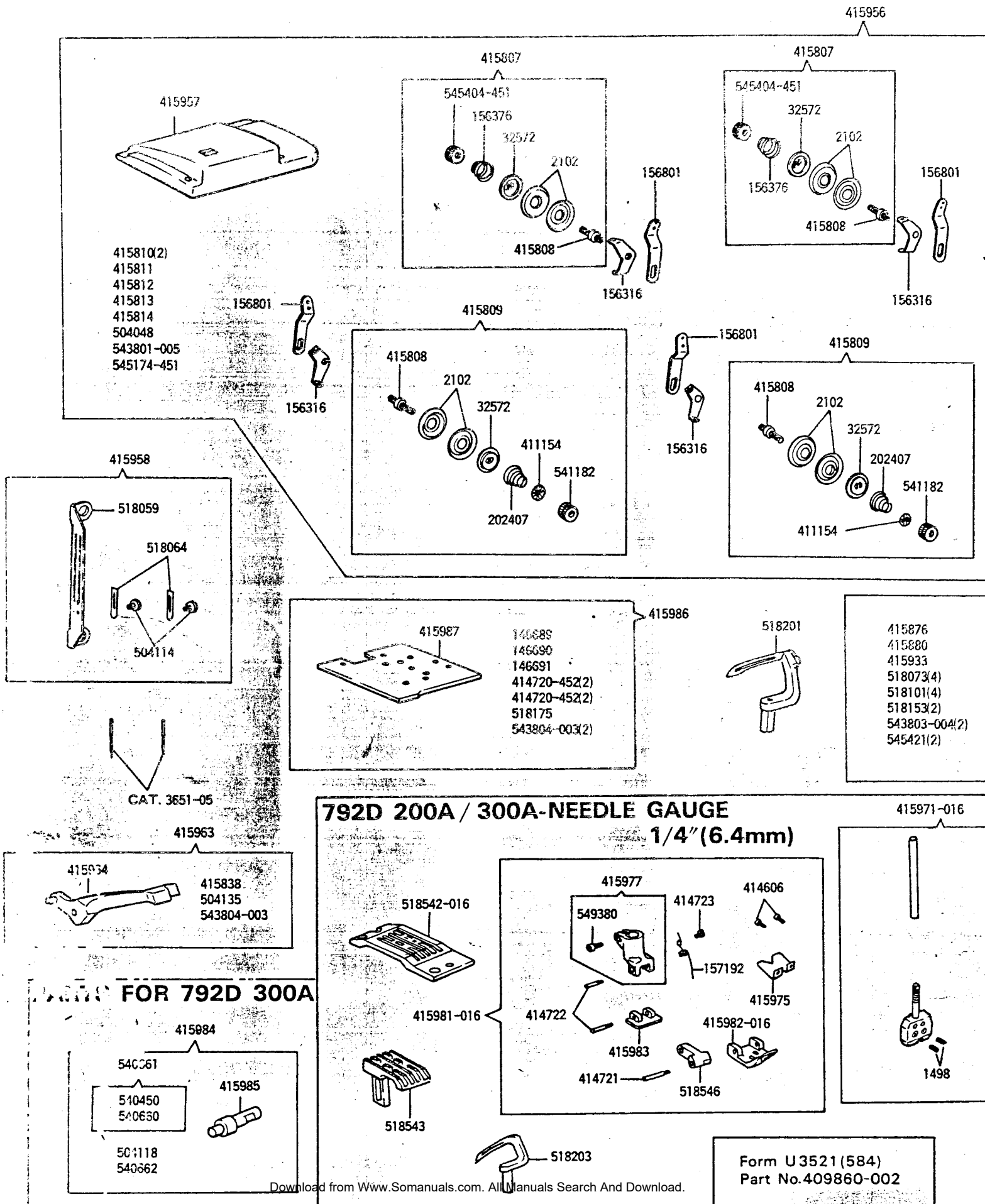
415980

518546

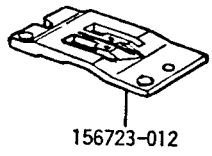
414721



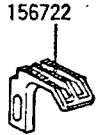
1498



792D 100A-NEEDLE GAUGE 3/16" (4.8mm)



156723-012

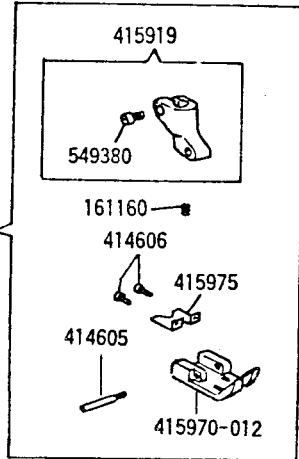


156722



518204

415969-012



415919

549380

161160

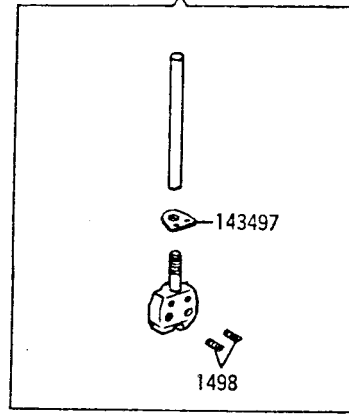
414606

415975

414605

415970-012

415971-012

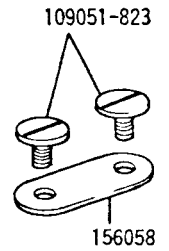


143497



1498

AVAILABLE AT EXTRA CHARGE



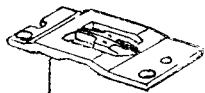
109051-823

156058



415974-003 (M)

792D 100A-NEEDLE GAUGE 1/4" (6.4mm)



156964

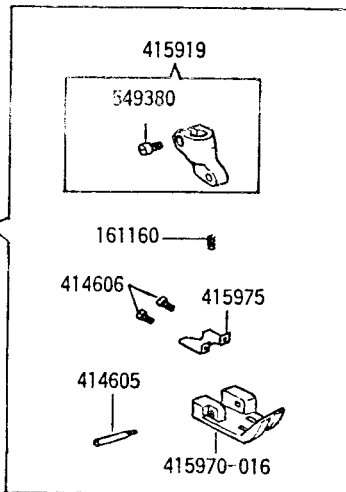


157190



518203

415969-016



415919

549380

161160

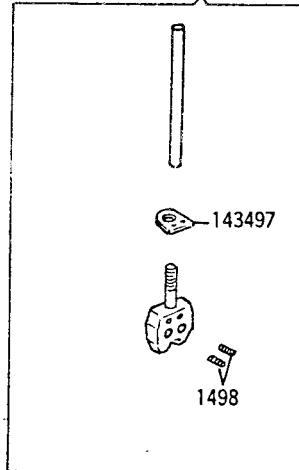
414606

415975

414605

415970-016

415971-016

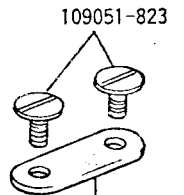


143497



1498

AVAILABLE AT EXTRA CHARGE



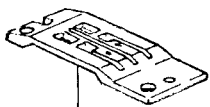
109051-823

156058

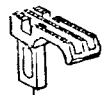


415974-004 (M)

792D 200A / 300A-NEEDLE GAUGE 3/16" (4.8mm)



518550

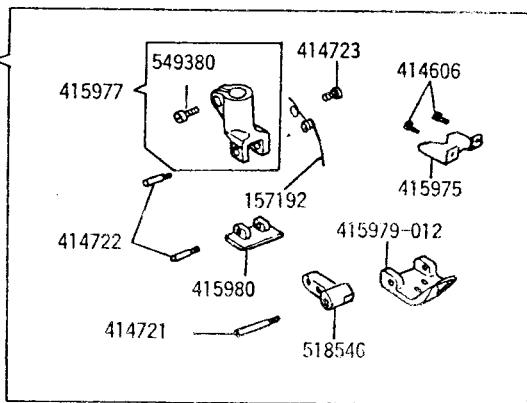


518551



518204

415976-012



415977

549380

414723

414606

415975

414722

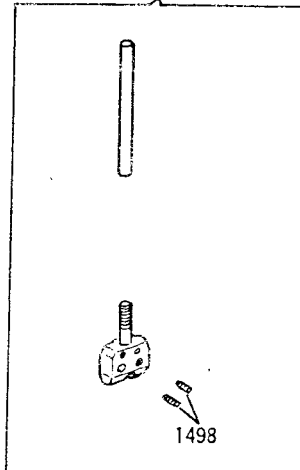
157192

415979-012

415980

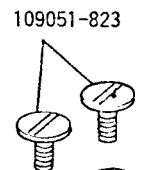
518546

415971-012



1498

AVAILABLE AT EXTRA CHARGE



109051-823

156058



415974-007 (200A) (MH)

415974-011 (300A) (H)

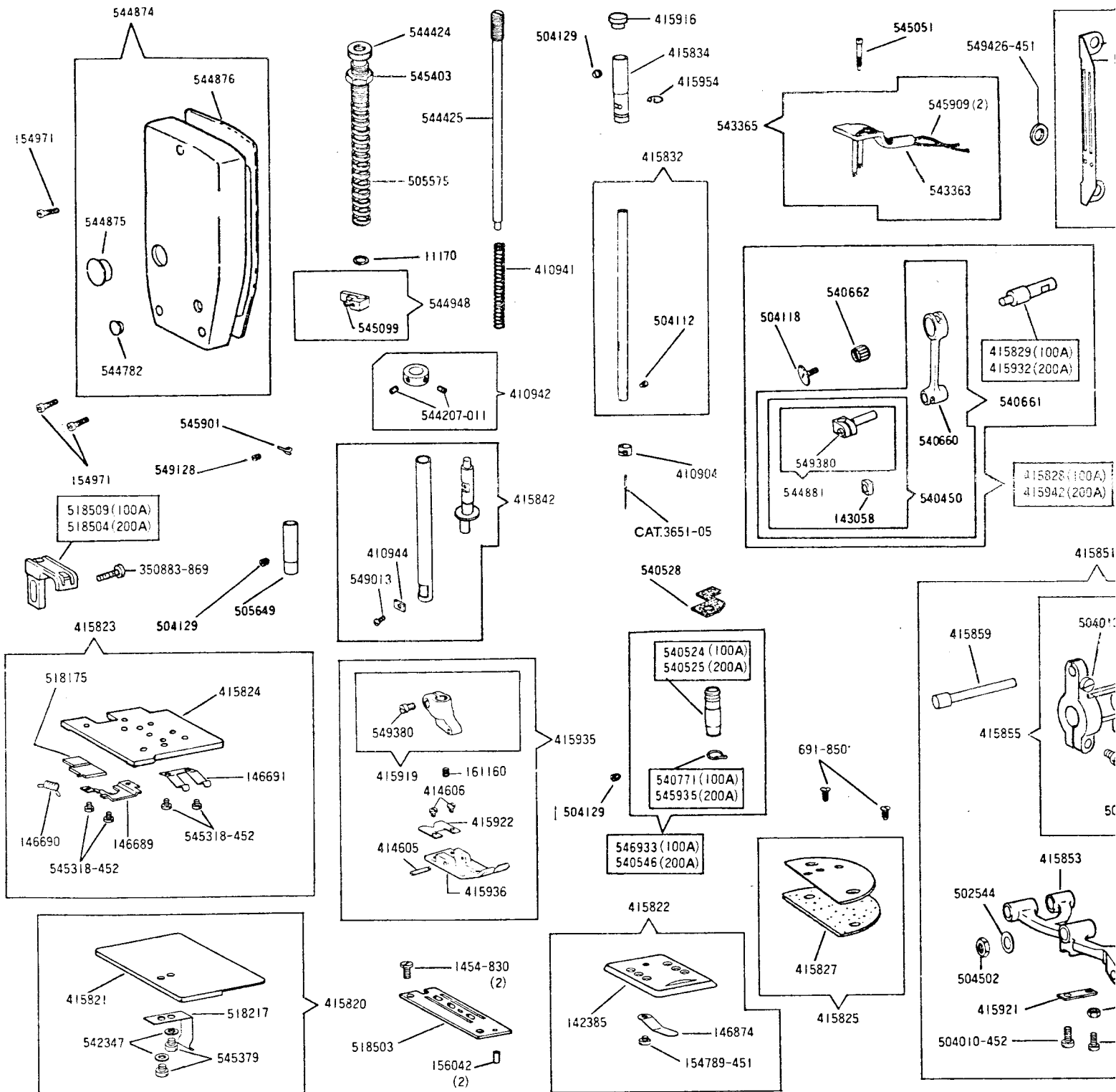
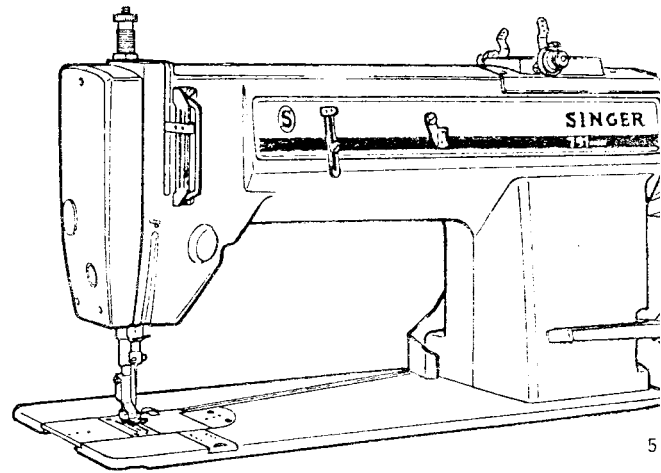
PART NO.	DESCRIPTION	PART NO.	DESCRIPTION
1498	Needle Set Screw (2)	415982-016	Presser Foot Plate (front) (for 200/300A)
2102	Looper Thread Tension Disc (4)	415983	Presser Foot Plate (back) (for 200/300A)
2102	Needle Thread Tension Disc (4)	415984	Needle Bar Eccentric Stud and Needle Bar Connecting Link Complete, Nos. 415985, 504118, 540661 and 540662 (for 300A)
32572	Looper Thread Tension Presser Disc (2)		
32572	Needle Thread Tension Releasing Disc (2)	415985	Needle Bar Eccentric Stud (for 300A)
143497	Needle Bar Thread Guard (for 100A)	415986	Looper Cover Plate (large) Complete, Nos. 146689 to 146691, 415987, 518175, two 543804-003 and four 414720-452
156316	Looper Thread Guide (2)		
156316	Needle Thread Guide (2)	415987	Looper Cover Plate (large)
156376	Looper Thread Tension Spring (2)	504114	Thread Guide Stop Set Screw (2)
156722	Feed Dog (22 teeth per inch) (for 100A)	518059	Thread Guide
156723-012	Throat Plate (for 100A)	518064	Thread Guide Stop (2)
156801	Looper Thread Guide (2)	518201	Looper (back)
156801	Needle Thread Guide (2)	518203	Looper (front)
156964	Throat Plate (for 100A)	518204	Looper (front)
157190	Feed Dog (22 teeth per inch) (for 100A)	518542-016	Throat Plate (for 200/300A)
157192	Presser Foot Plate (back) Spring (for 200/300A)	518543	Feed Dog (12 teeth per inch) (for 200/300A)
161160	Presser Foot Spring (for 100A)	518546	Presser Foot Plate Connection (for 200/300A)
202407	Needle Thread Tension Spring (2)	518550	Throat Plate (for 200/300A)
411154	Needle Thread Tension Stud Nut Washer (2)	518551	Feed Dog (15 teeth per inch) (for 200/300A)
414605	Presser Foot Screw Stud (for 100A)	541182	Needle Thread Tension Stud Nut (2)
414606	Chain Cutter Screw (2)	544208-001	Looper Set Screw (2)
414721	Presser Foot Screw Stud (for 200/300A)	545404-451	Looper Thread Tension Stud Nut (2)
414722	Presser Foot Screw Stud (2) (for 200/300A)	549380	Presser Foot Clamping Screw
414723	Presser Foot Plate (back) Spring Retainer Screw (for 200/300A)	CAT. 3651-05	Needle (#14) (2) (for 100A)
415807	Looper Thread Tension Complete (2)	CAT. 3651-05	Needle (#16) (2) (for 200A)
415808	Looper Thread Tension Stud (2)	CAT. 3651-05	Needle (#19) (2) (for 300A)
415808	Needle Thread Tension Stud (2)		
415809	Needle Thread Tension Complete (2)		
415813	Needle Thread Tension Release Arm		
415814	Needle Thread Tension Release Pivot Stud		
415919	Presser Foot (shank) with 549380 (for 100A)		
415956	Arm Top Cover and Tension Complete, Nos. 415811 to 415814, 414957, 504048, 543801-005, 545175-451, two Each 415807, 415809 and 415810, four Each 156316 and 156801	415941-452	Thread Unwinder Complete (for four spools)
415957	Arm Top Cover	CAT. 3651-05	Needle (#14) (4) (for 100A)
415958	Thread Guide Complete	CAT. 3651-05	Needle (#16) (4) (for 200A)
415963	Needle Guide and Bracket Complete, Nos. 415838, 415964, 504135 and 543804-003	CAT. 3651-05	Needle (#19) (4) (for 300A)
415964	Needle Guide Complete		
415966	Looper Frame with Looper Lever and Driving Lever Complete, Nos. 415876, 415880, 415933, two Each 518153, 543803-004 and 545421, four Each 518073 and 518101	109051-823	Lap Seam Feller Clamping Screw
415967	Looper Lever with two 544208-001	156058	Lap Seam Feller Clamping Plate
415969-012	Presser Foot Complete, Nos. 161160, 414605, 415919, 415970-012, 415975 and two 414606 (for 100A)	415974-003	Lap Seam Feller Complete (3/16 M) (for 100A)
415969-016	Presser Foot Complete, Nos. 161160, 414605, 415919, 415970-016, 415975 and two 414606 (for 100A)	415974-004	Lap Seam Feller Complete (1/4 M) (for 100A)
415970-012	Presser Foot Plate (for 100A)	415974-007	Lap Seam Feller Complete (3/16 MH) (for 200A)
415970-016	Presser Foot Plate (for 100A)	415974-008	Lap Seam Feller Complete (1/4 MH) (for 200A)
415971-012	Needle Bar with Holder, 143497 and two 1498 (for 100A)	415974-011	Lap Seam Feller Complete (3/16 H) (for 300A)
415971-012	Needle Bar with Holder and two 1498 (for 200/300A)	415974-012	Lap Seam Feller Complete (1/4 H) (for 300A)
415971-016	Needle Bar with Holder, 143497 and two 1498 (for 100A)		
415971-016	Needle Bar with Holder and two 1498 (for 200/300A)		
415975	Chain Cutter		
415976-012	Presser Foot (triple hinged) Complete, Nos. 157192, 414606, 414721, 414723, 415975, 415977, 415979-012, 415980, 518546 and two 414722 (for 200/300A)		
415977	Presser Foot (Shank) with 549380 (for 200/300A)		
415979-012	Presser Foot Plate (front) (for 200/300A)		
415980	Presser Foot Plate (back) (for 200/300A)		
415981-016	Presser Foot (triple hinged) Complete, Nos. 157192, 414606, 414721, 414723, 415975, 415977, 415982-016, 415983, 518546 and two 414722 (for 200/300A)		

ACCESSORIES

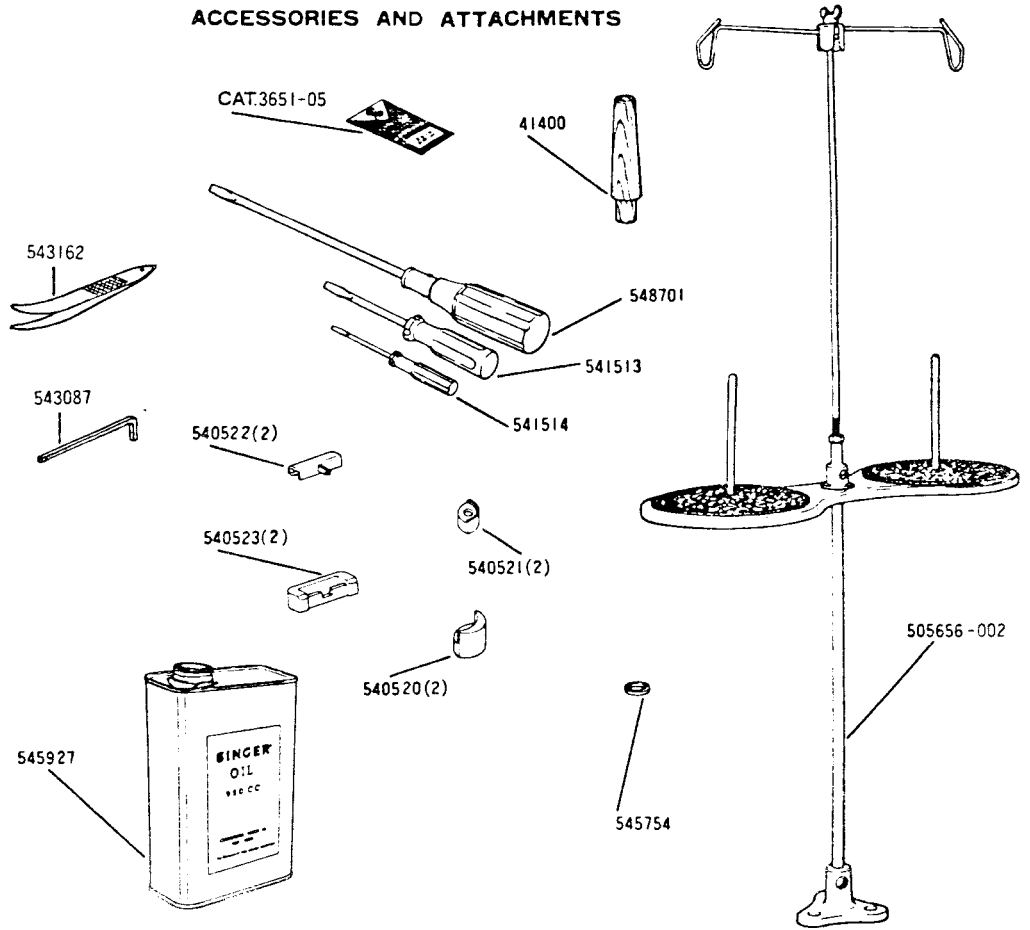
AVAILABLE AT EXTRA CHARGE

SINGER*

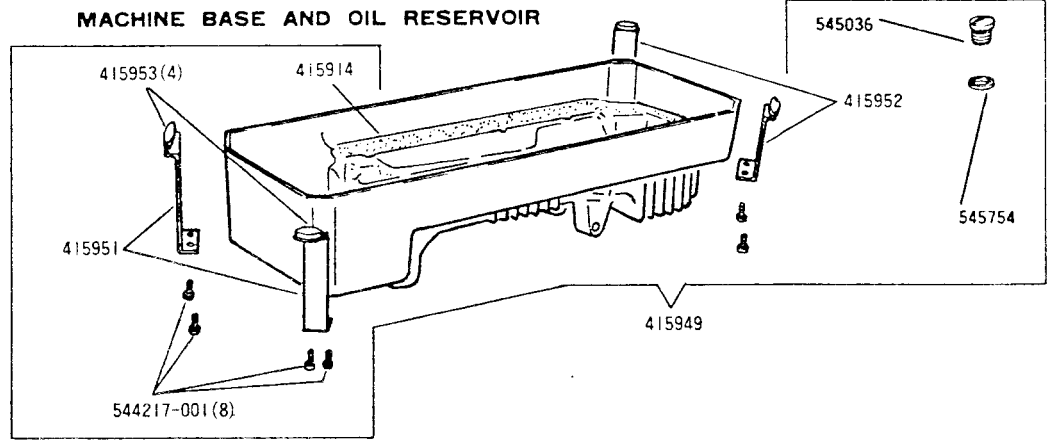
791 D100A/200A



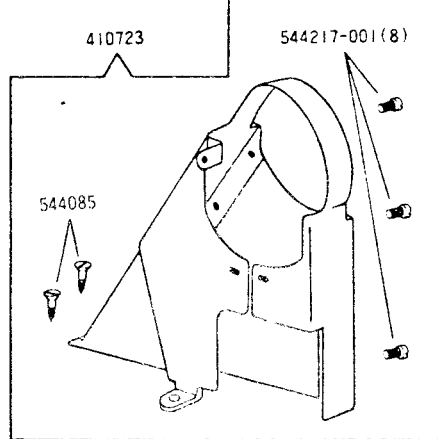
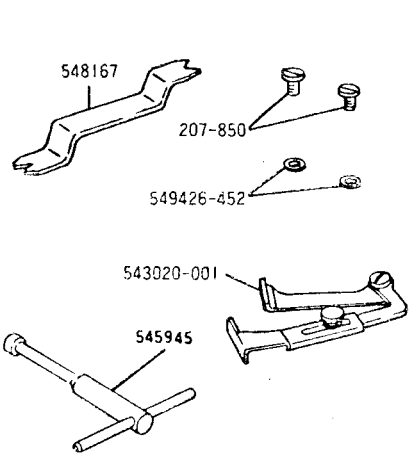
ACCESSORIES AND ATTACHMENTS



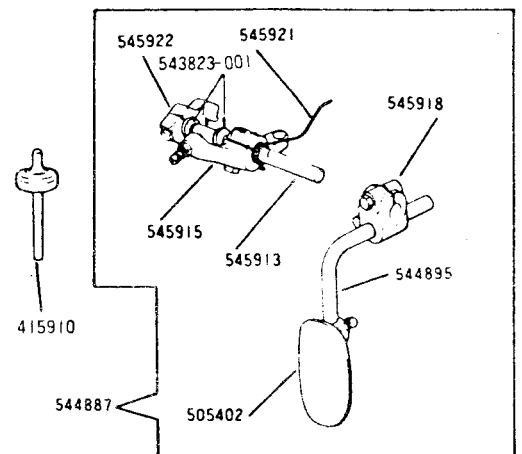
MACHINE BASE AND OIL RESERVOIR



AVAILABLE AT EXTRA CHARGE



KNEE LIFTER PARTS



NUMERICAL LIST OF PARTS FOR MACHINE 791D100A/200A

PART NO.	DESCRIPTION	PART NO.	DESCRIPTION
691-850	Looper Cover Plate (small) Screw (2)	415808	Needle Thread Tension Stud
691-850	Looper Tension Bracket Screw (2)	415809	Needle Thread Tension Complete, Nos. 32572, 202407, 411154, 415808, 541182 and two 2102
1454-830	Throat Plate Screw (2)	415810	Needle Thread Tension Releasing Pin
2102	Looper Thread Tension Disc (2)	415811	Needle Thread Tension Release Rocker Plate
2102	Needle Thread Tension Disc (2)	415812	Needle Thread Tension Release Shaft
11170	Presser Bar Spring Washer	415813	Needle Thread Tension Release Arm
16380	Oil Removing Lint Screen	415814	Needle Thread Tension Release Pivot Stud
32572	Looper Thread Tension Presser Disc	415815	Tension Release Connecting Link (top)
32572	Needle Thread Tension Releasing Disc	415816	Tension Release Connecting Link (bottom)
141339	Looper Tension Shoulder Screw	415817	Tension Release Cover with Oil Sight Glass and 410713
142385	Slide Plate	415820	Slide Plate (left) Complete, Nos. 415821, 518217, 542347 and 545379
143058	Needle Bar Connecting Stud Slide Block	415821	Slide Plate (left)
143236	Feed Lifting Rock Shaft Oil Plug Screw Washer	415822	Slide Plate Complete, Nos. 142385, 146874 and 154789-451
143236	Feed Rock Shaft Oil Plug Screw Washer	415823	Looper Cover Plate (large) Complete
146610	Presser Bar Lifting Lever Spring	415824	Looper Cover Plate (large)
146689	Looper Cover Plate (large) Latch Guide	415825	Looper Cover Plate (small) with 415827
146690	Looper Cover Plate (large) Latch Guide Spring	415827	Looper Cover Plate (small) Gasket
146691	Looper Cover Plate (large) Leaf Spring	415828	Thread Take-up Crank 415829 with 540661, 540662 and 504118 (for 100A)
146874	Slide Plate Spring	415829	Thread Take-up Crank (needle bar stroke 27 mm) (for 100A)
154781	Arm Shaft (horizontal) Thrust Collar Set Screw (2)	415830	Thread Take-up Arm 415831 with 504010-452 and 541178
154781	Presser Bar Lifting Lever Pin Set Screw	415831	Thread Take-up Arm
154789-451	Slide Plate Spring Set Screw	415832	Needle Bar (hollow) with 504112
154971	Face Plate Screw (3)	415834	Needle Bar Bushing (upper)
154983	Presser Bar Lifting Lever Connecting Rod Nut (2)	415835	Needle Guide and Bracket Complete, Nos. 415836, 415838, 504135 and 543804-003
156042	Throat Plate Support Pin (2)	415836	Needle Guide Complete
156316	Looper Thread Guide	415838	Needle Guide Bracket
156316	Needle Thread Guide	415839	Needle Guide (front)
156376	Looper Thread Tension Spring	415840	Needle Guide Frame with 350883-869 and two 544202-002
156528	Looper Tension Pressure Spring	415842	Presser Bar with Foot Extension, 410944 and 549013
156801	Looper Thread Guide	415844	Arm Shaft (upright)
156801	Needle Thread Guide	415845	Arm Shaft (upright) Bevel Gear (lower) Left Hand Spiral with two 504101
161160	Presser Foot Spring	415845	Arm Shaft (upright) Bevel Gear (upper) Left Hand Spiral with two 504101
202407	Needle Thread Tension Spring	415847	Arm Shaft (upright) Bushing (lower)
272111	Feed Bar Connecting Link Oil Wick Clamp	415848	Arm Shaft (upright) Bushing (upper)
350881-869	Looper Avoid Driving Arm Clamping Screw	415849	Feed Lifting Rock Shaft Complete, Nos. 143236, 415850, 504111 and 545810
350881-869	Looper Avoid Pivot Shaft (right) Clamping Screw	415850	Feed Lifting Rock Shaft
350881-869	Looper Drive Crank Clamping Screw	415851	Feed Dog Carrier Complete, Nos. 415852, 415853, 414603, 415855, 415858, 415859, 415921, 502544, 504010-452, 504502, 541178 and 545040
350883-869	Feed Dog Screw	415852	Feed Dog Holder
350883-869	Needle Guide (front) Frame Screw	415853	Feed Dog Carrier
350944-451	Looper Drive Crank Clamping Screw	415855	Feed Bar Carrier with three 504013
409213	Looper Thread Guide Wave Washer (2)	415857	Looper Drive Shaft Bushing (enter)
410713	Tension Release Cover Gasket	415858	Feed Bar Carrier Oil Wick (felt)
410718	Presser Bar Lifting Lever with 154781	415859	Feed Bar Carrier Hinge Pin
410720	Feed Reverse Lever Hinge Stud Flanged Bushing	415860	Looper Drive Shaft (eccentric)
410725	Presser Bar Lifting Lever Connecting Rod	415861	Looper Drive Shaft Bevel Gear with two 504101
410729	Feed and Feed Lifting Eccentric with two 545313	415863	Looper Drive Shaft Bushing (left)
410731	Feed Rock Shaft Complete, Nos. 143236, 410732, 504111 and 545839	415864	Looper Drive Shaft Bushing (right)
410732	Feed Rock Shaft	415865	Looper Drive, Transverse, Complete, Nos. 415866, 415868, 415870, 415871, 415872 and 415874
410736	Feed Rock Shaft Driving Frame Complete, Nos. 410737, 410741, 410742, 410808, 410809, 540639, 540644, 540648, 544394, 545264, 548091, two each 410738 to 410740 and 549288	415866	Looper Avoid Eccentric (inner race) with two 544209-005
410737	Feed Rock Shaft Crank Connecting Rod Pin	415868	Looper Avoid Eccentric (outer race) with 404604
410738	Feed Rock Shaft Driving Link (large) (2)	415870	Looper Avoid Eccentric Bearing
410739	Feed Rock Shaft Driving Link (small) (2)	415871	Looper Avoid Eccentric (core)
410740	Feed Rock Shaft Driving Link (small) Pin (2)	415872	Looper Avoid Driving Arm with 350881-869 and 504029
410741	Feed Rock Shaft Crank Pin	415874	Looper Avoid Driving Arm Pivot Pin
410742	Feed Rock Shaft Driving Frame with 410807 545289 and two 545072	415875	Looper Frame with Looper Lever and Driving Lever Complete, Nos. 415876, 415878, 415880, 415933, two each 518153, 543803-004, 545421, four each 518073 and 518101
410745	Feed Rock Shaft Driving Frame Hinge Pin (back)	415876	Looper Frame with 350881-869, 549086, two each 504029, 504507 and 549046
410746	Feed Rock Shaft Driving Frame Hinge Pin (front)	415878	Looper Lever with 544208-001
410774	Arm Side Shield	415880	Looper Drive Crank with 350881-869 and 350944-451
410807	Feed Rock Shaft Driving Frame Extension Arm	415882	Looper Avoid Pivot Shaft (left)
410808	Feed Reverse Lever Hinge Stud Crank Connecting Link	415883	Looper Avoid Pivot Shaft (right)
410809	Feed Reverse Lever Hinge Stud Crank with 549028	415884	Looper Avoid Pivot Shaft Bushing (left)
410837	Feed Regulating Dial with 50134, 540689 and 545492	415885	Looper Avoid Pivot Shaft Bushing (center)
410904	Needle Bar Thread Guard	415886	Looper Avoid Pivot Shaft Bushing (right)
410941	Presser Foot Spring (compression)	415887	Looper Drive Connecting Link with Ball Joint Complete
410942	Presser Foot Collar with two 544207-011	415888	Looper Drive Connecting Link Complete
410944	Presser Foot Retainer	415894	Thread Puller with 541165-001 and 544212-052
411154	Needle Thread Tension Stud Nut Washer		
414603	Regulating Screw		
414604	Looper Avoid Driving Arm Pivot Pin Screw		
414605	Presser Foot Screw Stud		
414606	Chain Cutter Screw (2)		
414639	Looper Thread Guide Screw		
415804	Bed Leg (left) (2)		
415805	Arm Top Cover and Tension Complete, Nos. 415806, 415807, 415809 to 415814, 504048, 543801-005, 545174-451, two each 156316 and 156801		
415806	Arm Top Cover		
415807	Looper Thread Tension Complete, Nos. 32572, 156376, 415808, 545404-451 and two 2102		
415808	Looper Thread Tension Stud		

NUMERICAL LIST OF PARTS FOR MACHINE 791D100A/200A

PART NO.	DESCRIPTION	PART NO.	DESCRIPTION
415896	Looper Avoid Pivot Shaft (right) Collar with two 504048	504119	Machine Pulley Set Screw (2)
415898	Looper Thread Guard	504120	Needle Bar Crank Position Screw
415899	Looper Thread Guide (2)	504125	Needle Bar Bushing (lower) Set Screw
415900	Looper Thread Guide Driver Screw (4)	504129	Needle Bar Bushing (upper) Set Screw
415901	Looper Tension Bracket Complete, Nos. 141339, 156528, 415902, two each 518042 and 518045	504129	Presser Bar Bushing Set Screw
415902	Looper Tension Bracket	504134	Feed Regulating Dial Set Screw
415903	Looper Tension Thread Deflector (left)	504134	Feed Reverse Lever Hinge Stud Collar Set Screw
415904	Looper Tension Thread Deflector (right)	504135	Needle Guide Screw
415905	Bed Leg (right)	504145	Oil Removing Tube Retaining Clamp Screw
415906	Oil Pipe 415907 with 545846 and 545847	504502	Feed Dog Holder Nut
415907	Oil Pipe	504507	Looper Drive Crank Ball Joint Clamping Screw Nut
415908	Oil Pipe 415909 with 540719 and 545849	505001	Looper Lever Threaded Stud Bushing Screw Nut (2)
415909	Oil Pipe	505402	Arm Dowel Pin (2)
415916	Needle Bar Bushing (upper) Plug	505575	Rock Shaft Knee Arm Plate Complete
415919	Presser Foot (shank) with 549380	505649	Presser Bar Spring
415921	Feed Dog Adjusting Screw Strap	518001	Presser Bar Bushing
415922	Chain Cutter	518001	Looper
415923	Feed Reverse Lever Spring Retainer Stud	518040	Looper Thread Guide (right) Complete
415927	Looper Drive Crank Ball Joint Complete	518042	Looper Tension Plate (2)
415930	Oil Removing Tube Complete	518043	Looper Thread Guide (2)
415932	Thread Take-up Crank (needle bar stroke 30 mm) (for 200A)	518045	Looper Tension Thread Guide (2)
415933	Looper Lever Thread Stud	518046	Looper Thread Guide (left)
415934	Looper Thread Guide Screw	518049	Looper Thread Guide Bushing
415935	Presser Foot (spring hinged) and Chain Cutter Complete, Nos. 161160, 414605, 415919, 415922, 415936 and two 414606	518058	Finger Guard
415936	Presser Foot (plate)	518059	Thread Guide
415939	Looper Avoid Pivot Shaft (right) Oil Wick	518062	Thread Guide
415942	Thread Take-up Crank 415932 with 540661, 540662 and 504118 (for 200A)	518063	Thread Guide
415954	Oil Wick Retainer	518064	Thread Guide Stop
415959	Feed Reverse Lever and Feed Regulating Dial Complete, Nos. 410837, 504051, 540624, 540625, 415960, 540690, 541165-001, 544203-005, 549382 and 549383	518073	Looper Lever Threaded Stud Washer (felt) (4)
415960	Feed Reverse Lever with 545046	518074	Shield (right) Complete
415962	Feed Regulating Plate	518075	Shield (left) Complete
493480-001	Looper Drive Connecting Link Ball Bearing (2)	518101	Looper Lever Threaded Stud Ring (4)
502544	Feed Dog Holder Washer	518139	Looper Washer (0.3 mm)
504002	Arm Shaft (horizontal) Bushing (center) Set Screw	518140	Looper Washer (0.5 mm)
504002	Arm Shaft (horizontal) Flanged Bushing (back) Set Screw	518153	Looper Lever Threaded Stud Bushing with Ball Bearing Complete (2)
504002	Arm Shaft (horizontal) Flanged Bushing (front) Set Screw	518158	Thread Guide 518059 with 518064 and 504114
504002	Looper Drive Shaft Bushing (right) Set Screw	518175	Looper Cover Plate (large) Latch Complete
504007	Feed Lifting Rock Shaft Collar Set Screw (4)	518217	Slide Plate (left) Spring
504007	Feed Rock Shaft Collar Set Screw (2)	518503	Throat Plate
504010-451	Arm Side Shield Screw	518509	Feed Dog (20 teeth per inch)
504010-451	Finger Guard Set Screw	540406	Arm Shaft (horizontal) Flanged Bushing (front)
504010-451	Oil Removing Pump Piston Spring Bracket Set Screw	540450	Needle Bar Connecting Stud and Slide Block
504010-451	Thread Guide Set Screw (2)	540524	Needle Bar Bushing (lower) (for 100A)
504010-452	Feed Dog Adjusting Screw Strap Clamping Screw	540525	Needle Bar Bushing (lower) (for 200A)
504010-452	Looper Tension Thread Deflector Set Screw (2)	540528	Needle Bar Bushing (lower) Felt
504010-452	Thread Take-up Arm Clamping Screw	540541	Feed Lifting Rock Shaft Oil Wick (outer) (cotton)
504013	Feed Bar Carrier Clamping Screw (2)	540541	Feed Rock Shaft Oil Wick (outer) (cotton)
504013	Feed Bar Hinge Pin Clamping Screw	540546	Needle Bar Bushing (lower) 540525 with 545935 (for 200A)
504020	Looper Drive Shaft Screw Plug	540547	Feed Bar Connecting Link Oil Wick (cotton)
504025	Bell Crank Bracket Set Screw (2)	540553	Oil Removing Pump (body) Complete
504029	Feed Rock Shaft Driving Frame Hinge Pin Set Screw (2)	540555	Oil Removing Pump Bracket
504029	Looper Avoid Driving Arm Set Screw	540556	Oil Removing Pump Piston
504029	Looper Avoid Pivot Shaft (left) Set Screw	540557	Oil Removing Pump Piston Spring Bracket
504029	Looper Avoid Pivot Shaft (right) Set Screw	540605	Arm Shaft (horizontal)
504029	Looper Drive Shaft Bushing (center) Set Screw	540606	Arm Shaft (horizontal) and Needle Bar Crank with 504095, 504117, 504120 and two 549230
504029	Looper Drive Shaft Bushing (left) Set Screw	540608	Arm Shaft (horizontal) Thrust Collar with two 154781
504048	Looper Avoid Pivot Shaft (right) Collar Set Screw (2)	540617	Bell Crank Complete
504048	Needle Thread Tension Release Pivot Stud Set Screw	540624	Feed Regulating Dial Lock Pin
504051	Feed Regulating Dial Stopper Screw	540625	Feed Regulating Dial Lock Pin Spring
504063	Finger Guard Set Screw	540625	Oil Removing Pump Piston Spring
504064	Arm Screw (small) (2)	540630	Feed Reverse Lever Hinge Stud
504066	Arm Shaft (horizontal) Bevel Gear Set Screw (2)	540631	Feed Reverse Lever Hinge Stud Complete, Nos. 540630, 545047 and 545825
504071	Oil Pump (centrifugal) (body) Screw (2)	540633	Feed Reverse Lever Hinge Stud Collar with 504134
504094	Feed Rock Shaft Flanged Bushing (front) Set Screw	540639	Feed Reverse Lever Spring
504095	Thread Take-up Crank Set Screw	540641	Feed Reverse Lever Spring Retainer
504099	Arm Top Cover Screw (4)	540644	Feed Rock Shaft Crank with 545181 and 549183
504101	Arm Shaft (upright) Bevel Gear (lower) Set Screw (2)	540648	Feed Rock Shaft Crank Connecting Rod with 545181 and two 545059
504101	Arm Shaft (upright) Bevel Gear (upper) Set Screw (2)	540660	Needle Bar Connecting Link
504101	Looper Drive Shaft Bevel Gear Set Screw (2)	540661	Needle Bar Connecting Link 540660 with 540450
504103	Feed Bar Connecting Link Cap Screw (2)	540662	Needle Bar Connecting Link Roller Bearing
504111	Feed Lifting Rock Shaft Oil Plug Screw	540670	Presser Bar Lifting Lever Link
504111	Feed Rock Shaft Oil Plug Screw	540689	Feed Regulating Dial Pin
504112	Needle Set Screw	540690	Feed Regulating Dial Stopper
504114	Thread Guide Stop Set Screw	540706	Arm Shaft (horizontal) Flanged Bushing (back)
504117	Thread Take-up Crank Clamping Screw	540707	Arm Shaft (horizontal) Flanged Bushing (back) Oil Seal
504118	Needle Bar Connecting Link Cap Screw	540708	Arm Shaft (horizontal) Flanged Bushing (back) Ring
		540719	Oil Pipe Clamping Sleeve Nut
		540720	Arm Shaft (horizontal) Flanged Bushing (front) with 540722
		540722	Arm Shaft (horizontal) Flanged Bushing (front) Oil Drain Tube Tape

NUMERICAL LIST OF PARTS FOR MACHINE 791D100A/200A

PART NO.	DESCRIPTION	PART NO.	DESCRIPTION
540771	Needle Bar Bushing (lower) Thread Eyelet (for 100A)	545775	Bed Hole Plug
541165-001	Stitch Shortening Adjustable Limit Screw Nut	545788	Feed Bar Connecting Link
541165-001	Thread Puller Clamping Screw Nut	545789	Feed Bar Connecting Link 545788 with 272111 and 540547
541178	Feed Dog Adjusting Screw Nut	545799	Feed Lifting Rock Shaft Crank (back) Connecting Rod Hinge Stud
541178	Thread Take-up Arm Nut	545806	Feed Lifting Rock Shaft Collar with two 504007 (2)
541182	Needle Thread Tension Stud Nut	545397	Feed Lifting Rock Shaft Crank (back) with two 549183
542347	Slide Plate (left) Washer (2)	545808	Feed Lifting Rock Shaft Crank (front)
543335	Oil Removing Tube Retainer	545810	Feed Lifting Rock Shaft Oil Wick (cotton)
543363	Oil Wick Holder and Pipe	545812	Feed Lifting Rock Shaft Crank (back) Connecting Rod with two 545059
543365	Oil Wick Holder Complete	545825	Feed Reverse Lever Hinge Stud O-ring
543371	Oil Removing Tube Retaining Clamp	545836	Feed Rock Shaft Flanged Bushing (front)
543801-005	Needle Thread Tension Release Arm Stop Ring	545837	Feed Rock Shaft Collar with two 504007
543803-003	Thread Guide Washer (2)	545839	Feed Rock Shaft Oil Wick (cotton)
543803-004	Looper Lever Threaded Stud Washer (2)	545846	Oil Pipe Clamping Sleeve
543804-003	Needle Guide Bracket Washer	545847	Oil Pipe Clamping Sleeve Nut
543826	Arm Screw (front) Washer (2)	545849	Oil Pipe Clamping Sleeve
544202-002	Needle Guide (front) Set Screw	545854	Oil Pump (centrifugal)
544203-005	Stitch Shortening Adjustable Limit Screw	545855	Oil Pump (centrifugal) Cover
544207-011	Presser Foot Collar Screw	545856	Oil Pump (centrifugal) Impeller
544208-001	Looper Set Screw	545857	Oil Pump (centrifugal) Screen
544209-005	Looper Avoid Eccentric (inner race) Set Screw (2)	545858	Oil Pump (centrifugal) Screen Frame
544212-001	Tension Release Connecting Link Set Screw (2)	545868	Presser Bar Lifter
544212-052	Thread Puller Clamping Screw	545872	Presser Bar Lifting Lever Connecting Rod Oil Mist Retaining Disc (felt)
544258	Looper Thread Guide (left) Screw	545873	Presser Bar Lifting Lever Connecting Rod Swivel
544368	Arm Screw (front) (2)	545875	Presser Bar Lifting Lever Pin
544394	Feed Reverse Lever Spring Screw	545901	Thread Eyelet (side of arm)
544424	Presser Regulating Thumb Screw	545909	Oil Wick (cotton) (2)
544425	Low Pressure Adjusting Screw	545935	Needle Bar Bushing (lower) Thread Eyelet (for 200A)
544782	Arm Shaft (horizontal) Flanged Bushing (front) Oil Tube Plug	545949	Feed Lifting Rock Shaft Flanged Bushing (2)
544782	Face Plate Plug (small)	545949	Feed Rock Shaft Flanged Bushing (back)
544874	Face Plate with 544782, 544875 and 544876	546933	Needle Bar Bushing (lower) 540524 with 540771 (for 100A)
544875	Face Plate Plug (large)	548091	Feed Rock Shaft Driving Frame Spring
544876	Face Plate Gasket	548479	Oil Pump (centrifugal) (body) Position Pin (2)
544881	Needle Bar Connecting Stud with 549380	548970	Presser Bar Lifting Lever Pin Spring
544901	Machine Pulley with two 504119	549013	Presser Foot Retainer Screw
544948	Presser Bar Guide Bracket with 545099	549028	Feed Reverse Lever Hinge Stud Crank Clamping Screw
545033	Arm Screw (back) (2)	549046	Looper Drive Crank Ball Joint Clamping Screw
545036	Arm Shaft (upright) Bevel Gear (upper) Set Screw Hole Plug Screw	549046	Looper Lever Threaded Stud Bushing Screw (2)
545037	Thread Take-up Crank Clamping Screw Hole Plug Screw	549086	Looper Avoid Pivot Shaft (left) Set Screw
545040	Feed Dog Adjusting Screw	549128	Thread Eyelet (side of arm) Screw
545043	Feed Lifting Rock Shaft Crank (front) Clamping Screw	549168	Feed Regulating Plate Screw (2)
545046	Feed Reverse Lever Clamping Screw	549183	Feed Lifting Rock Shaft Crank (back) Clamping Screw (2)
545047	Feed Reverse Lever Hinge Stud Cap Screw	549183	Feed Rock Shaft Crank Clamping Screw
545049	Oil Pump (centrifugal) Impeller Locking Screw	549230	Arm Shaft (horizontal) Screw Plug (front, back) (2)
545050	Oil Pump (centrifugal) Screen Frame Screw (3)	549288	Feed Reverse Lever Hinge Stud Crank Connecting Link Screw (2)
545051	Oil Wick Holder Screw	549338	Tension Release Connecting Link Screw
545053	Presser Bar Lifter Hinge Screw	549380	Needle Bar Connecting Stud Clamping Screw
545054	Presser Bar Lifting Lever Hinge Screw	549380	Presser Foot Clamping Screw
545059	Feed Lifting Rock Shaft Crank (back) Connecting Rod Cap Screw (2)	549382	Feed Regulating Screw
545059	Feed Rock Shaft Crank Connecting Rod Cap Screw (2)	549383	Feed Regulating Screw Guide Screw
545072	Feed Rock Shaft Driving Link (small) Pin Set Screw (2)	549426-451	Thread Guide Washer
545084	Looper Thread Guide (right) Screw	CAT. 3651-05	Needle (#14) (for 100A)
545095	Needle Guide Bracket Set Screw	CAT. 3651-05	Needle (#16) (for 200A)
545099	Presser Bar Guide Bracket Clamping Screw		
545103	Looper Drive Connecting Link Stud		
545174-451	Needle Thread Tension Release Shaft Set Screw		
545180	Shield (left) Screw (3)		
545180	Shield (right) Screw (3)		
545181	Feed Rock Shaft Crank Connecting Rod Pin Set Screw		
545181	Feed Rock Shaft Crank Pin Set Screw		
545183	Feed Reverse Lever Spring Retainer Screw		
545239	Oil Removing Pump Bracket Set Screw (3)		
545264	Feed Rock Shaft Driving Frame Spring Stud		
545289	Feed Rock Shaft Driving Frame Extension Arm Screw		
545313	Feed and Feed Lifting Eccentric Set Screw (2)		
545318-452	Looper Cover Plate (large) Latch Guide Set Screw (2)		
545318-452	Looper Cover Plate (large) Leaf Spring Set Screw (2)		
545342	Looper Drive Shaft Cap Screw		
545379	Slide Plate (left) Spring Set Screw (2)		
545403	Presser Regulating Thumb Screw Lock Nut		
545404-451	Looper Thread Tension Stud Nut		
545421	Looper Lever Threaded Stud Nut (2)		
545492	Feed Regulating Nut		
545754	Arm Shaft (upright) Bevel Gear (upper) Set Screw Hole Plug Screw Gasket		
545755	Thread Take-up Crank Clamping Screw Hole Plug Screw Gasket		
545757	Arm Shaft (horizontal) Bevel Gear with two 504066		
545758	Arm Shaft (horizontal) Busing (center)		
545761	Arm Shaft (horizontal) Flanged Bushing (front) Oil Tube		
		41400	Machine Rest Pin (wood)
		505656-002	Thread Unwinder (for two spools) Complete, with three Wood Screw (purchased part)
		540520	Machine Base and Oil Reservoir Cushion (front) with two Wire Nail (2)
		540521	Machine Base and Oil Reservoir Cushion (back) with two Wire Nail (2)
		540522	Machine Hinge Connection (2)
		540523	Machine Hinge Connection Cushion (2)
		541513	Screw Driver (large)
		541514	Screw Driver (small)
		543087	Hexagon Wrench Key
		543162	Tweezers
		545754	Machine Base and Oil Reservoir Oil Drain Plug Screw Gasket
		545927	Oil Can (950 cc, filled with Singer type "C" oil)
		548701	Screw Driver (long)
		CAT. 3651-05	Needle (#14) (3) (for 100A)
		CAT. 3651-05	Needle (#16) (3) (for 200A)

ACCESSORIES AND ATTACHMENTS

NUMERICAL LIST OF PARTS FOR MACHINE 791D100A/200A

PART NO. DESCRIPTION

MACHINE BASE AND OIL RESERVOIR

415914 Machine Base and Oil Reservoir Gasket
 415949 Machine Base and Oil Reservoir with 415914, 545036,
 545754, two each 415951, 415952, four 415953 and
 eight 544217-001
 415951 Machine Base and Oil Reservoir Retainer (long) (2)
 415952 Machine Base and Oil Reservoir Retainer (short) (2)
 415953 Machine Rest (rubber) (4)
 544217-001 Machine Base and Oil Reservoir Retainer Screw (8)
 545036 Machine Base and Oil Reservoir Oil Drain Plug Screw
 545754 Machine Base and Oil Reservoir Oil Drain Plug Screw
 Gasket

KNEE LIFTER PARTS

415910 Bell Crank Plunger
 5483823-001 Rock Shaft Thrust Washer (2)
 544887 Rock Shaft Complete, Nos. 505402, 544895, 545913,
 545915, 545918, 545921, 545922 and two
 543823-001
 544895 Rock Shaft Knee Arm
 545913 Rock Shaft
 545915 Rock Shaft Crank
 545918 Rock Shaft Knee Arm Hub
 545921 Rock Shaft Spring
 545922 Rock Shaft Stop Dog

AVAILABLE AT EXTRA CHARGE

207-850 Swing Out Edge Guide Screw (2)
 410723 Belt Guard with two 544085 and eight 544217-001
 518167 Hook Setting Gage
 543020-001 Swing Out Edge Guide
 544085 Belt Guard (lower) Wood Screw (2)
 544217-001 Belt Guard Plate Screw (4)
 544217-001 Belt Guard Screw (4)
 545945 Box Wrench
 549426-452 Swing Out Edge Guide Washer (2)

NUMERICAL LIST OF PARTS

PART NO.	DESCRIPTION
1498	Needle Set Screw (2)
2102	Looper Thread Tension Disc (4)
2102	Needle Thread Tension Disc (4)
32572	Looper Thread Tension Presser Disc (2)
32572	Needle Thread Tension Releasing Disc (2)
143497	Needle Bar Thread Guard (for 100A)
156316	Looper Thread Guide (2)
156316	Needle Thread Guide (2)
156376	Looper Thread Tension Spring (2)
156722	Feed Dog (22 teeth per inch) (for 100A)
156723-012	Throat Plate (for 100A)
156801	Looper Thread Guide (2)
156801	Needle Thread Guide (2)
156964	Throat Plate (for 100A)
157190	Feed Dog (22 teeth per inch) (for 100A)
157192	Presser Foot Plate (back) Spring (for 200/300A)
161160	Presser Foot Spring (for 100A)
202407	Needle Thread Tension Spring (2)
411154	Needle Thread Tension Stud Nut Washer (2)
414605	Presser Foot Screw Stud (for 100A)
414606	Chain Cutter Screw (2)
414721	Presser Foot Screw Stud (for 200/300A)
414722	Presser Foot Screw Stud (2) (for 200/300A)
414723	Presser Foot Plate (back) Spring Retainer Screw (for 200/300A)
415807	Looper Thread Tension Complete (2)
415808	Looper Thread Tension Stud (2)
415808	Needle Thread Tension Stud (2)
415809	Needle Thread Tension Complete (2)
415813	Needle Thread Tension Release Arm
415814	Needle Thread Tension Release Pivot Stud
415919	Presser Foot (shank) with 549380 (for 100A)
415956	Arm Top Cover and Tension Complete, Nos. 415811 to 415814, 414957, 504048, 543801-005, 545175-451, two Each 415807, 415809 and 415810, four Each 156316 and 156801
415957	Arm Top Cover
415958	Thread Guide Complete
415963	Needle Guide and Bracket Complete, Nos. 415838, 415964, 504135 and 543804-003
415964	Needle Guide Complete
415966	Looper Frame with Looper Lever and Driving Lever Complete, Nos. 415876, 415880, 415933, two Each 518153, 543803-004 and 545421, four Each 518073 and 518101
415967	Looper Lever with two 544208-001
415969-012	Presser Foot Complete, Nos. 161160, 414605, 415919, 415970-012, 415975 and two 414606 (for 100A)
415969-016	Presser Foot Complete, Nos. 161160, 414605, 415919, 415970-016, 415975 and two 414606 (for 100A)
415970-012	Presser Foot Plate (for 100A)
415970-016	Presser Foot Plate (for 100A)
415971-012	Needle Bar with Holder, 143497 and two 1498 (for 100A)
415971-012	Needle Bar with Holder and two 1498 (for 200/300A)
415971-016	Needle Bar with Holder, 143497 and two 1498 (for 100A)
415971-016	Needle Bar with Holder and two 1498 (for 200/300A)
415975	Chain Cutter
415976-012	Presser Foot (triple hinged) Complete, Nos. 157192, 414606, 414721, 414723, 415975, 415977, 415979-012, 415980, 518546 and two 414722 (for 200/300A)
415977	Presser Foot (Shank) with 549380 (for 200/300A)
415979-012	Presser Foot Plate (front) (for 200/300A)
415980	Presser Foot Plate (back) (for 200/300A)
415981-016	Presser Foot (triple hinged) Complete, Nos. 157192, 414606, 414721, 414723, 415975, 415977, 415982-016, 415983, 518546 and two 414722

5 FOR MACHINE 792D 100A/200A/300A

PART NO.	DESCRIPTION
415982-016	Presser Foot Plate (front) (for 200,300A)
415983	Presser Foot Plate (back) (for 200,300A)
415984	Needle Bar Eccentric Stud and Needle Bar Connecting Link Complete, Nos. 415985, 504118, 540661 and 540662 (for 300A)
415985	Needle Bar Eccentric Stud (for 300A)
415986	Looper Cover Plate (large) Complete, Nos. 146689 to 146691, 415987, 518175, two 543804-003 and four 414720-452
415987	Looper Cover Plate (large)
504114	Thread Guide Stop Set Screw (2)
518059	Thread Guide
518064	Thread Guide Stop (2)
518201	Looper (back)
518203	Looper (front)
518204	Looper (front)
518542-016	Throat Plate (for 200/300A)
518543	Feed Dog (12 teeth per inch) (for 200/300A)
518546	Presser Foot Plate Connection (for 200/300A)
518550	Throat Plate (for 200/300A)
518551	Feed Dog (15 teeth per inch) (for 200/300A)
541182	Needle Thread Tension Stud Nut (2)
544208-001	Looper Set Screw (2)
545404-451	Looper Thread Tension Stud Nut (2)
549380	Presser Foot Clamping Screw
CAT. 3651-05	Needle (#14) (2) (for 100A)
CAT. 3651-05	Needle (#16) (2) (for 200A)
CAT. 3651-05	Needle (#19) (2) (for 300A)

ACCESSORIES

415941-452	Thread Unwinder Complete (for four spools)
CAT. 3651-05	Needle (#14) (4) (for 100A)
CAT. 3651-05	Needle (#16) (4) (for 200A)
CAT. 3651-05	Needle (#19) (4) (for 300A)

AVAILABLE AT EXTRA CHARGE

109051-823	Lap Seam Feller Clamping Screw
156058	Lap Seam Feller Clamping Plate
415974-003	Lap Seam Feller Complete (3/16 M) (for 100A)
415974-004	Lap Seam Feller Complete (1/4 M) (for 100A)
415974-007	Lap Seam Feller Complete (3/16 MH) (for 200A)
415974-008	Lap Seam Feller Complete (1/4 MH) (for 200A)
415974-011	Lap Seam Feller Complete (3/16 H) (for 300A)
415974-012	Lap Seam Feller Complete (1/4 H) (for 300A)

Free Manuals Download Website

<http://myh66.com>

<http://usermanuals.us>

<http://www.somanuals.com>

<http://www.4manuals.cc>

<http://www.manual-lib.com>

<http://www.404manual.com>

<http://www.luxmanual.com>

<http://aubethermostatmanual.com>

Golf course search by state

<http://golfingnear.com>

Email search by domain

<http://emailbydomain.com>

Auto manuals search

<http://auto.somanuals.com>

TV manuals search

<http://tv.somanuals.com>