

Parts Manual for
SNAPPER®

**TWO STAGE LARGE FRAME
SNOW THROWER
(2005) SERIES 7**



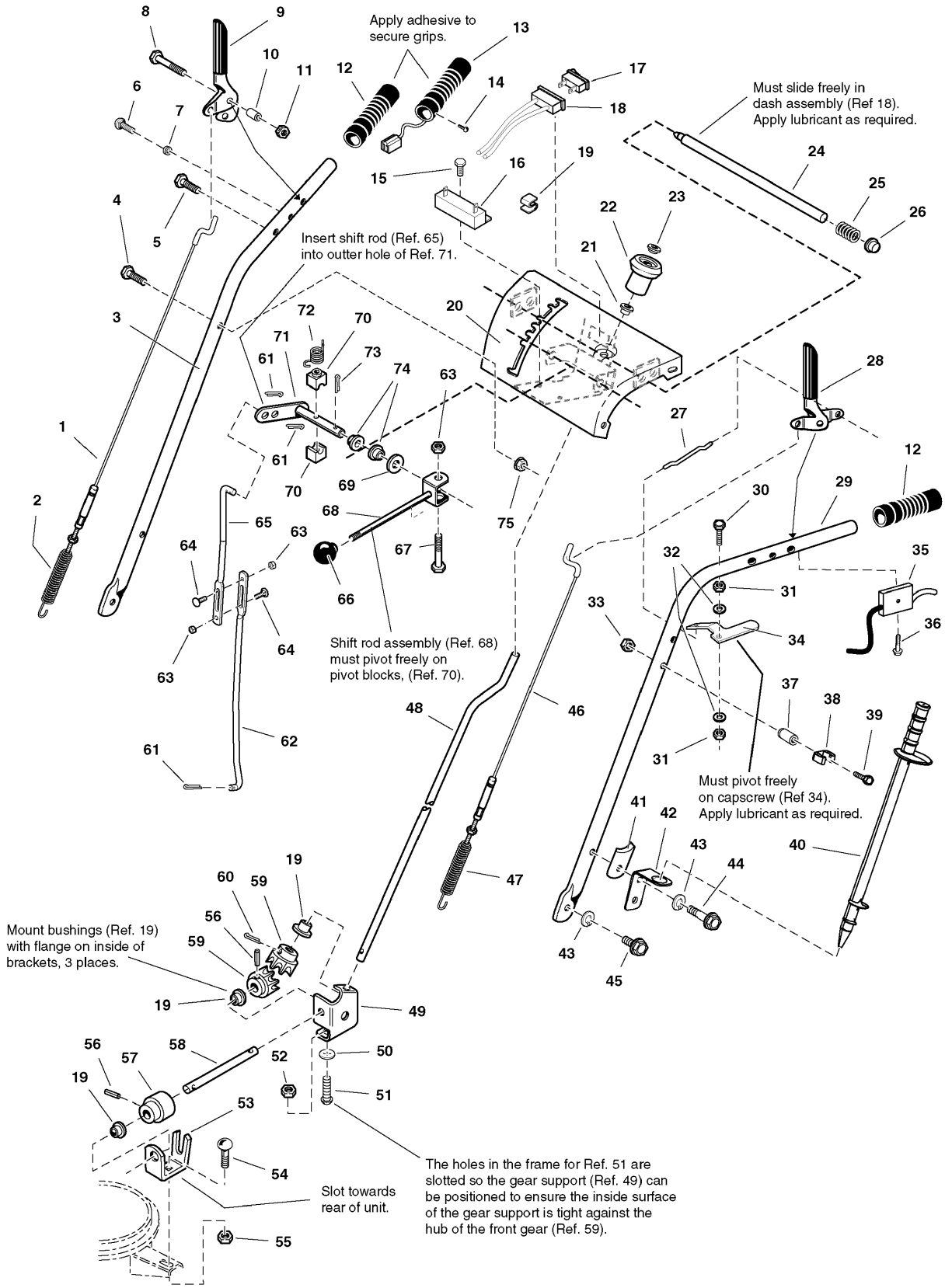
MODEL

**9247E (1694602)
10287E (1694603)
11327E (1694604)
12387E (1694605)
E9247 (1694606)
E10287 (1694607)
E11327 (1694608)
E12387 (1694609)**

SNAPPER® McDonough, GA, 30253 U.S.A.

PAGE	GROUP
4	Handles and Controls Group
8	Auger Housing and Chute Group - 24, 28 & 32"
12	Auger Housing and Chute Group - 38 inch
16	Auger Drive Group
20	Engine and Frame Group
24	Traction Drive Group
28	Wheel & Tires Group
30	Decal Group
32	Headlight Group

Handles and Controls Group



Handles and Controls Group

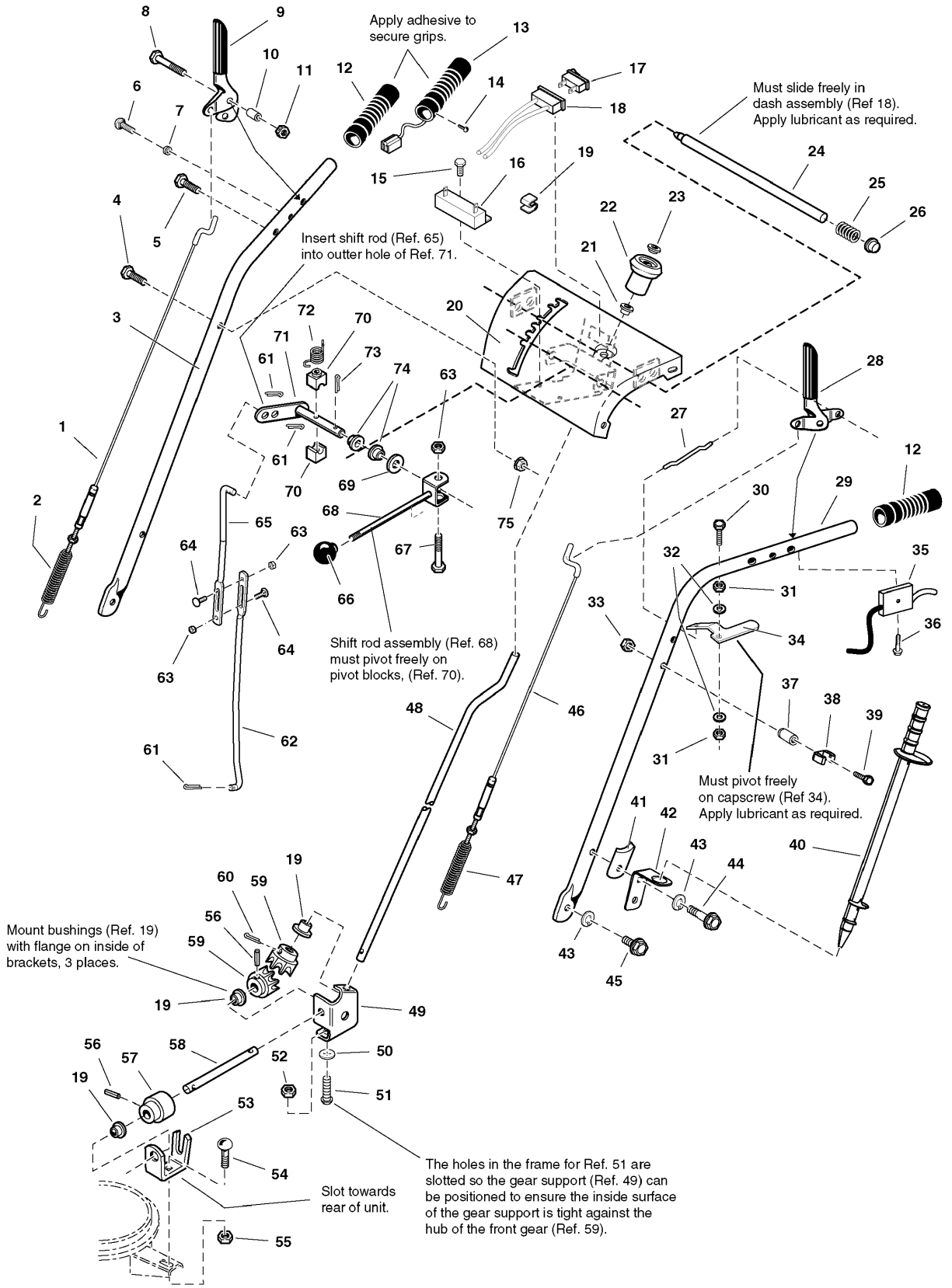
Item	Part No	Qty	Description	Note
1	1726833	1	CABLE AND SPRING ASSEMBLY, R.H. Auger	
2	1701996	1	SPRING, Torsion	
3	1727087A	1	HANDLE, Tube, R.H.	
4	7091908	1	CAPSCREW, Hex Head, 5/16-18 x 1-3/4 G5	Was 1922127
5	7091540	3	CAPSCREW, Hex Head, 5/16-18 x 1-1/2 G5	Was 1921221
6	1960671	2	SCREW, Pan Head Torx, 1/4-20 x 3/4, Thread Cutting	
7	1715654	2	SPACER, 1/4ID x 25/64OD x 11/64LG	
8	1922837	2	CAPSCREW, Hex Head, 1/4-20 x 1-1/2 G5	
9	1722638	1	HANDLE, Clutch R.H.	
10	1715655	2	SPACER	
11	1923358	2	NUT, Hex Centerlock, 1/4-20	
12	1726317	2	GRIP	see Note 1
13	1723965	2	HAND GRIP, Heated 1" Diameter	see Note 2
14	1726422	2	RIVET, Pop	see Note 2
15	1923341	1	CAPSCREW, Hex Head 1/4-20 x 3/4 G5	see Note 2
16	1724037	1	RESISTOR BLOCK, 2 Male Terminal	see Note 2
17	1723967	1	SWITCH, Hand Warmer	see Note 2
18	1725409	1	HARNESS, Wiring	see Note 2
19	1715956	1	CLIP, Wire	see Note 2
20	1726983A	1	DASH AND SUPPORT ASSEMBLY, Tubular	
21	1667588	4	BUSHING, 47/125ID x 437/1000OD x 1/5LG	see Note 1
22	1714084	1	KNOB, Spinner	see Note 1
23	1960093	1	NUT, Push Pal, 3/8" Diameter Stud Capped	see Note 1
24	1722633	1	ROD AND SPRING ASSEMBLY, w/Pin	
25	1722690	1	SPRING, Complete	
26	1960519	1	PUSH NUT, Stud Cap, 1/2	
27	1722630	1	ROD, 4/25" Diameter, E-Coat	
28	1722667	1	HANDLE, Clutch L.H.	
29	1727086A	1	HANDLE, Tube, L.H.	
30	1960662	1	CAPSCREW, Hex Head, 1/4-20 x 2 G5	
31	1920397	2	NUT, Hex Lock ESNA Light, 1/4-20NC-3B	
32	1921319	2	WASHER, 1/4	
33	1933896	1	NUT, Hex Lock, 10-24	
34	1722631A	1	LEVER, Pivot	
35	1718791	1	CABLE AND HANDLE ASSEMBLY, Clutch	
36	1725702	1	SCREW, Pan Head Torx, #10 x 1/2 Thread Cut	
37	1726995	1	SPACER, 1-1/4 LG Beveled End	

Footnotes:

Note 2: Used on 12387E, E12387

Note 1: Used on all models except 12387E, E12387

Handles and Controls Group



Handles and Controls Group

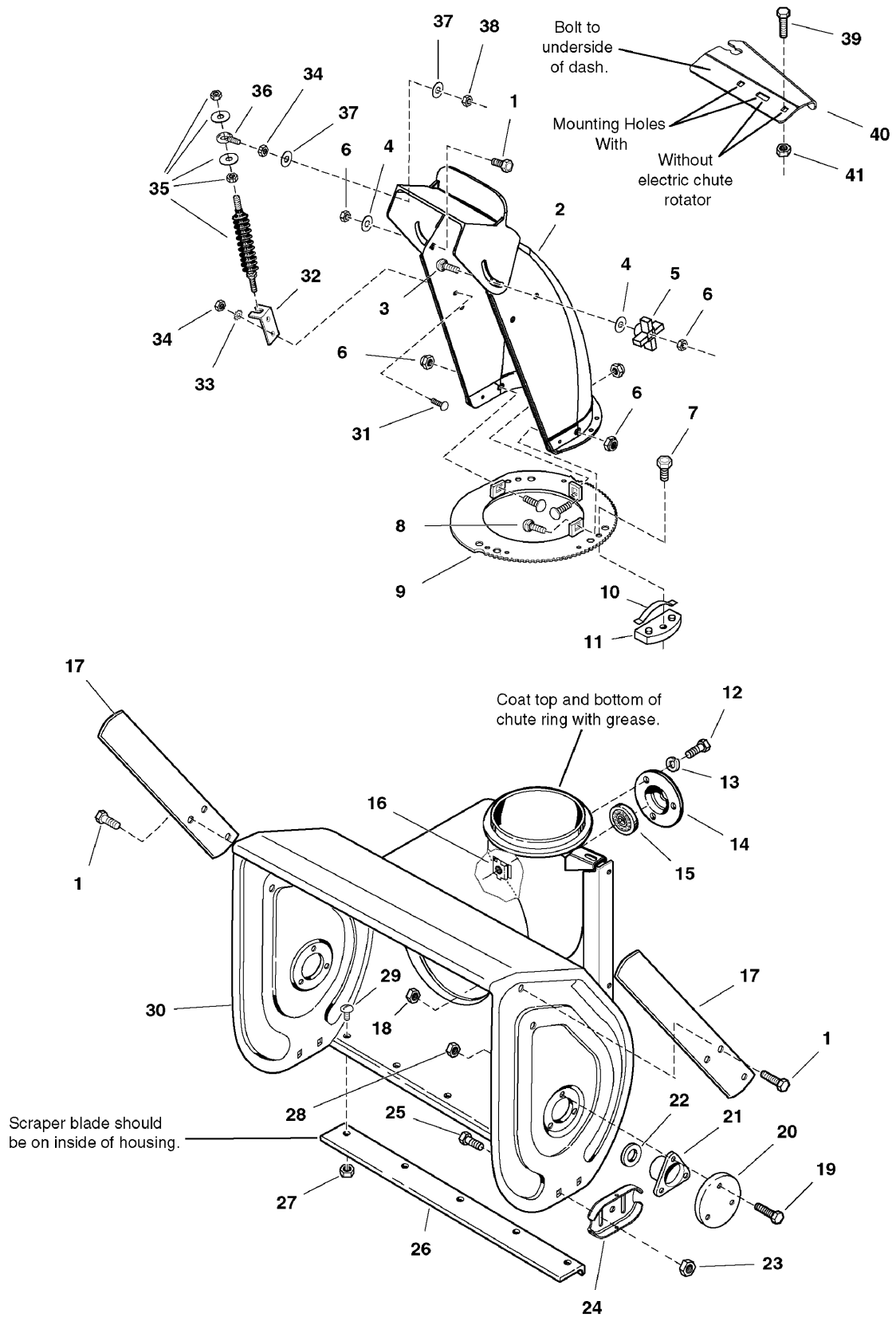
Item	Part No	Qty	Description	Note
38	1726728	1	CLIP, Snow Stick	
39	1960727	1	SCREW, Hex Flange Slot, #10-24 x 2-1/2	
40	7075909	1	STICK, Snow Removal	
41	1720452	2	CLAMP, Saddle Snow Handle E-Coat	
42	1726727A	1	BRACKET, Clean Out Tool	
43	1917356	4	LOCKWASHER, Spring, 5/16	
44	1921978	2	CAPSCREW, Hex Head 5/16-18 x 2 G5	
45	1930591	2	SCREW, Hex Whiz Lock Flange, 5/16-18 x 3/4	
46	1726832	1	CABLE AND SPRING ASSEMBLY, L.H. Traction	
47	1707452	1	SPRING, Extension	
48	1727088	1	ROD, 3/8" Diameter, 26"LG, E-Coat	see Note 1
49	1718793A	1	SUPPORT, Gear, Black	see Note 1
50	1960518	2	NUT, Push for 1/4 Diameter Thread	see Note 1
51	1960252	2	CARRIAGE BOLT, 1/4-20 x 5/8 G5	see Note 1
52	1960294	2	NUT, Hex Flange, 1/4-20, Whiz Lock Small	see Note 1
53	1611911	1	SUPPORT, Worm	see Note 1
54	1931333	1	CARRIAGE BOLT, 5/16-18 x 3/4 G5	see Note 1
55	1960684	1	NUT, Hex Keps, 5/16-18, Conical Washer	
56	2916168	2	PIN, Spring 1/8 x 3/4	see Note 1
57	1668186	1	WORM, Chute, L.H.	see Note 1
58	1725283	1	ROD, 3/8" Diameter, Chute Worm E-Coat	see Note 1
59	1718593	2	GEAR, Powdered Metal, Metafusion	see Note 1
60	1918452	1	PIN, Cotter 1/4 x 1	see Note 1
61	1722460	1	PIN, Quick	
62	1666255	1	ROD, 3/4" Diameter	
63	1960685	3	NUT, Hex KEPS, 1/4-20, Conical Washer	12387E and E12387 Uses Quantity of 4
64	1931317	2	CARRIAGE BOLT, 1/4-20 x 3/4 G5	
65	1726304	1	ROD, 3/4" Diameter, Shift Upper E-Coat, 11-19/50LG	
66	1726734	1	KNOB, Intermediate Thread, 3/8-16	
67	1960705	1	SCREW, Hex Whiz Lock Flange, 1/4-20 x 2-1/4	
68	1668523	1	ROD AND CLEVIS ASSEMBLY, Shift, Threaded	
69	7091587	1	WASHER, 1/2	Was 1924361
70	1668524	2	BLOCK, Pivot, 3/4 x 3/4, Powdered Metal	
71	1720240	1	ROD AND ARM ASSEMBLY, Pivot	
72	1715123	1	SPRING, Torsion	
73	1960074	1	CLIP, Hair Pin	
74	1668185	2	BUSHING, 1/2ID x 3/4OD x 1/4LG	
75	1960686	4	NUT, Hex Flange, 5/16-18 ESNA	

Footnotes:

Note 2: Used on 12387E, E12387

Note 1: Used on all models except 12387E, E12387

Auger Housing and Chute Group - 24, 28 & 32"

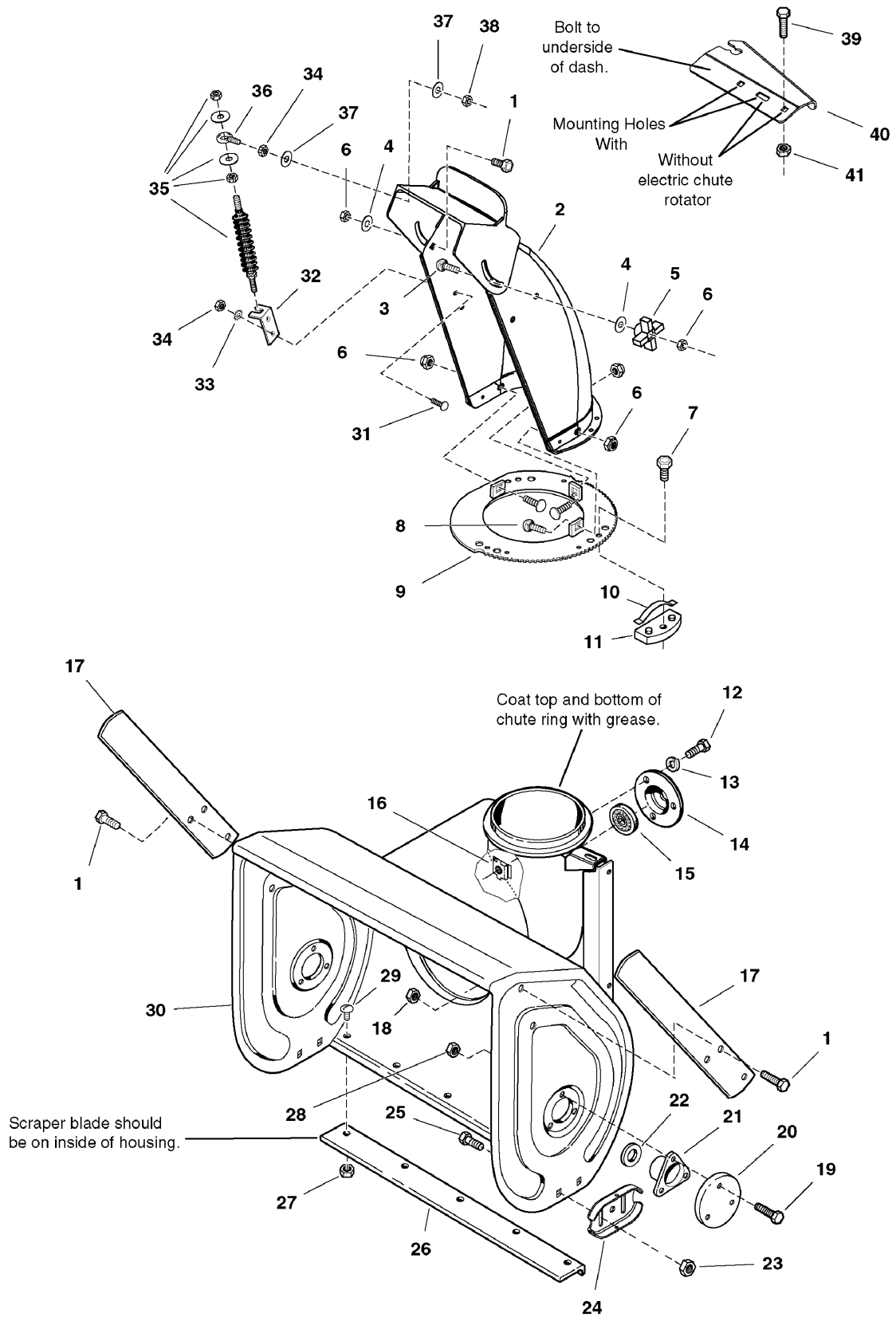


Auger Housing and Chute Group - 24, 28 & 32"

Item	Part No	Qty	Description	Note
1	1921332	2	CAPSCREW, Hex Head, 5/16-18 x 3/4 G5	10287E and E10287 Used Quantity of 5, 11327E and E11327 Uses Quantity of 6
2	702881	1	CHUTE AND DEFLECTOR ASSEMBLY, w/Remote	
2	702850	1	CHUTE AND DEFLECTOR ASSEMBLY, Manual	
3	1931335	1	CARRIAGE BOLT, 5/16-18 x 1 G5	
4	1919326	2	WASHER, 5/16	
5	1670578	1	KNOB, Internal Thread, 5/16	
6	1919438	4	NUT, Hex Lock ESNA Light, 5/16-18NC-3B	10287E, E10287, 11327E and E11327 Used Quantity of 5
7	1960001	3	SCREW, Hex Washer Head Pastite, 10-14 x 5/8	
8	1726958A	1	RING AND TABS ASSEMBLY, Gear	
9	1960282	1	CARRIAGE BOLT, 5/16-18 x 3/4	
10	1667865	3	SPRING, Flat	
11	1666613	3	HOLD DOWN, Chute	
12	7091138	3	CAPSCREW, Hex Head, 5/16-18 x 5/8 G5	Was 1925205
13	1917356	3	LOCKWASHER, Spring, 5/16	
14	1665982A	1	RETAINER, Bearing	
15	2108202	1	BEARING, Ball	
16	1930659	3	NUT, Retainer Speed, 5/16-18	
17	1715787D	2	CUTTER, Drift, 1/4" Thick, 20LG	
18	1960684	4	NUT, Hex Keps, 5/16-18, Conical Washer	
19	1923325	6	CAPSCREW, Hex Head 5/16-18 x 7/8 G5	
20	1668639CD	2	CAP, Bearing, 3-3/4OD	
21	1665980	2	BEARING, Flange	
22	1663189	2	SPACER, Low	
23	1960687	4	NUT, Hex Flange 3/8-16 ESNA	
24	1726725	2	SKID SHOE, Reversible	
25	1960711	4	CARRIAGE BOLT, 3/8-16 x 3/4 G5	
26	1709946A	1	BLADE, Scraper, 24"	
26	1709947A	1	BLADE, Scraper, 28"	
26	1709948A	1	BLADE, Scraper, 32"	
27	1935048	5	NUT, Hex Flange, 5/16-18, Two-Way Lock GA	11327E and E11327 Uses Quantity of 7
28	1923362	6	NUT, Hex Centerlock, 5/16-18	
29	1960699	5	CARRIAGE BOLT, 5/16-18 x 5/8 G5	11327E and E11327 Uses Quantity of 7
30	1612184D	1	HOUSING AND IMPELLER ASSEMBLY, 24", Red	
30	1612185D	1	HOUSING AND IMPELLER ASSEMBLY, 28"	
30	1612186D	1	HOUSING AND IMPELLER ASSEMBLY, 32", Red	
31	1931315	2	CARRIAGE BOLT, 1/4-20 x 1/2 G5	
32	7032813	1	MOUNT, Cable (See Only 986719)	

Footnotes:

Auger Housing and Chute Group - 24, 28 & 32"

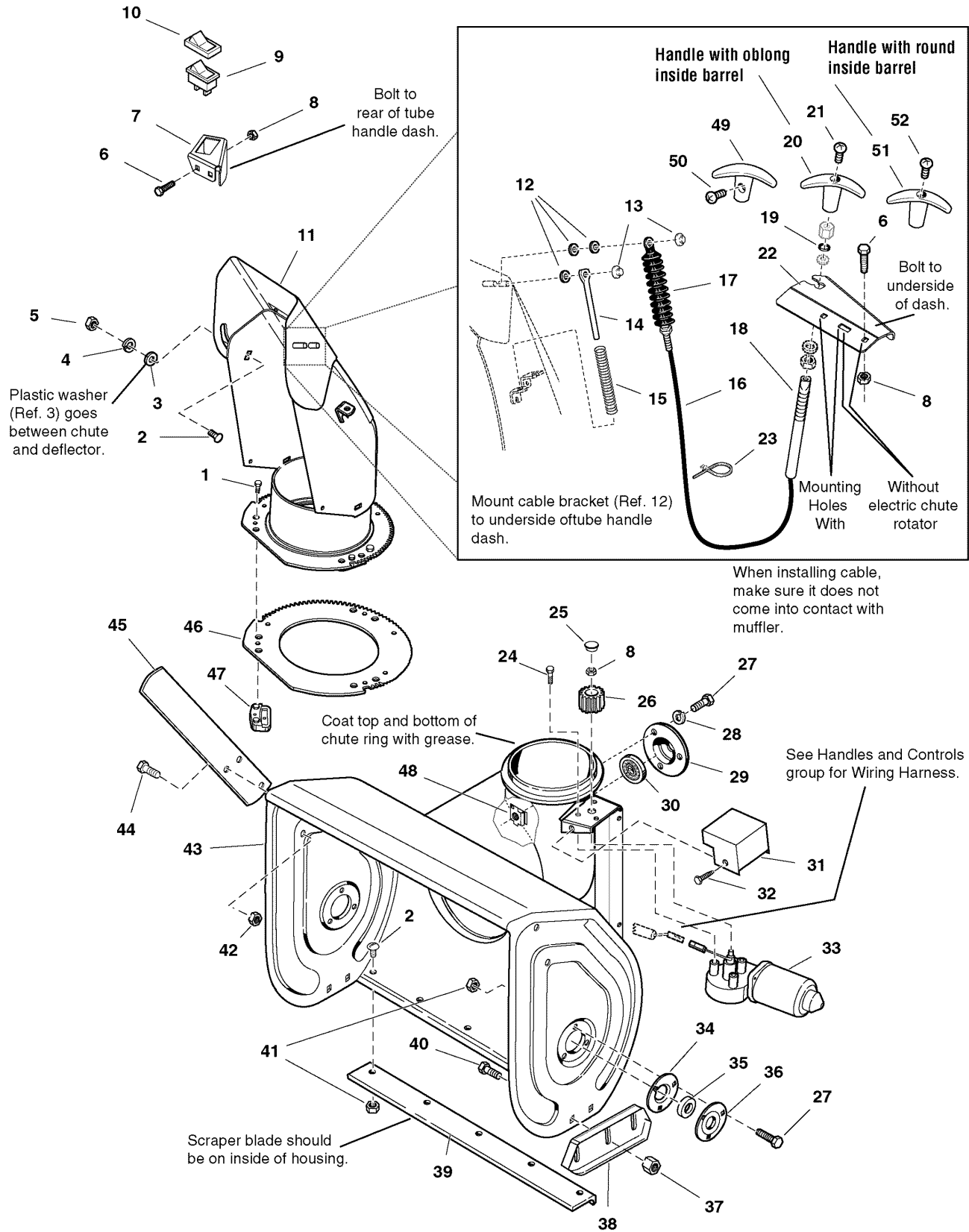


Auger Housing and Chute Group - 24, 28 & 32"

Item	Part No	Qty	Description	Note
33	1921880	2	LOCKWASHER, External Tooth, 1/4	
34	1916622	3	NUT, Hex, 1/4-20 NC-2B	
35	7045172	1	CABLE, Remote Chute Deflector, 60"	
36	7023798	1	EYEBOLT, 1/4-20 x 1-1/2 LG	
37	1921319	2	WASHER, 1/4	
38	1920397	1	NUT, Hex Lock ESNA Light, 1/4-20NC-3B	
39	1923341	2	CAPSCREW, Hex Head 1/4-20 x 3/4 G5	
40	1726992A	1	SUPPORT, Cable Tubular Handles, 12GA	
41	1960685	2	NUT, Hex KEPS, 1/4-20, Conical Washer	

Footnotes:

Auger Housing and Chute Group - 38 inch

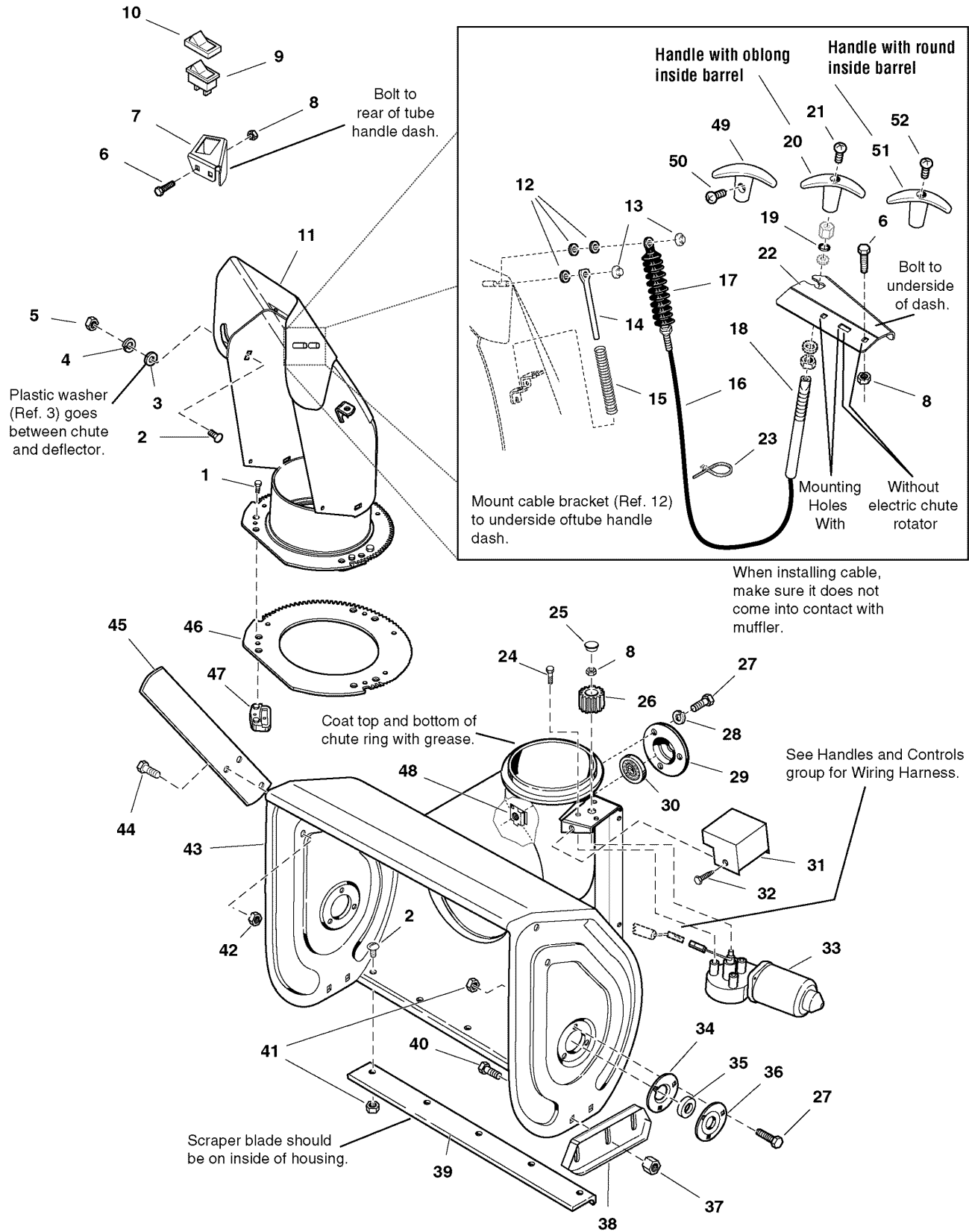


Auger Housing and Chute Group - 38 inch

Item	Part No	Qty	Description	Note
1	1960001	3	SCREW, Hex Washer Head Pastite, 10-14 x 5/8	
2	1931333	10	CARRIAGE BOLT, 5/16-18 x 3/4 G5	
3	2860210	1	WASHER, Special, 97/250ID x 1-3/25OD x 3/100 Thick	
4	1919326	1	WASHER, 5/16	
5	1919438	1	NUT, Hex Lock ESNA Light, 5/16-18NC-3B	
6	1923341	2	CAPSCREW, Hex Head 1/4-20 x 3/4 G5	
7	1727001A	1	SUPPORT, Switch 14GA	
8	1960685	5	NUT, Hex KEPS, 1/4-20, Conical Washer	
9	1724205	1	SWITCH, Rocker Chute	
10	1725696	1	BOOT, Rocker Switch	
11	1727193D	1	CHUTE AND DEFLECTOR ASSEMBLY, Riveted, w/Pigtail, Red	
12	1702219	3	SPACER, Heat Treated	
13	1960126	2	NUT, Push Pal, 1/4" Diameter Stud Capped	
14	1611945	1	ROD, 5/16" Diameter, Spring Guide	
15	1611939	1	SPRING, Complete	
16	1720446	1	CABLE AND KNOB ASSEMBLY, Chute (Includes Ref. No. 17, 18, 19, 20 & 21)	
17	1611989	1	BOOT, Bellows	
18	1719140	1	COLLET	
19	1719139	1	SEAL, Rod	
20	1719138	1	KNOB	(Handle with oblong inside barrel)
21	1960600	1	SCREW, 8-32	
22	1726992A	1	SUPPORT, Cable Tubular Handles, 12GA	
23	2925094	1	TIE, Self Locking	
24	2960664	3	SCREW, Hex Sems Washer, 1/4-20 x 7/8	
25	1724553	1	CAPLUG, For 3/4" Hole	
26	1724604	1	PINION, 1-3/20 LG	
27	7091138	9	CAPSCREW, Hex Head, 5/16-18 x 5/8 G5	Was 1925205
28	1917356	3	LOCKWASHER, Spring, 5/16	
29	1665982A	1	RETAINER, Bearing	
30	2108202	1	BEARING, Ball	
31	1723930A	1	COVER, Pinion, 18GA	
32	1925003	2	CAPSCREW, Hex Washer Head Taptite, 1/4-20 x 1/2	
33	1715885	1	MOTOR, Electric 60" Mower Rocky	
34	2172279A	2	FLANGE, Bearing, w/Fitting	
35	2173934	2	BEARING, Cartridge	
36	2172278A	2	FLANGE, Bearing, 3/8" Deep	
37	1960687	4	NUT, Hex Flange, 3/8-16 ESNA	

Footnotes:

Auger Housing and Chute Group - 38 inch

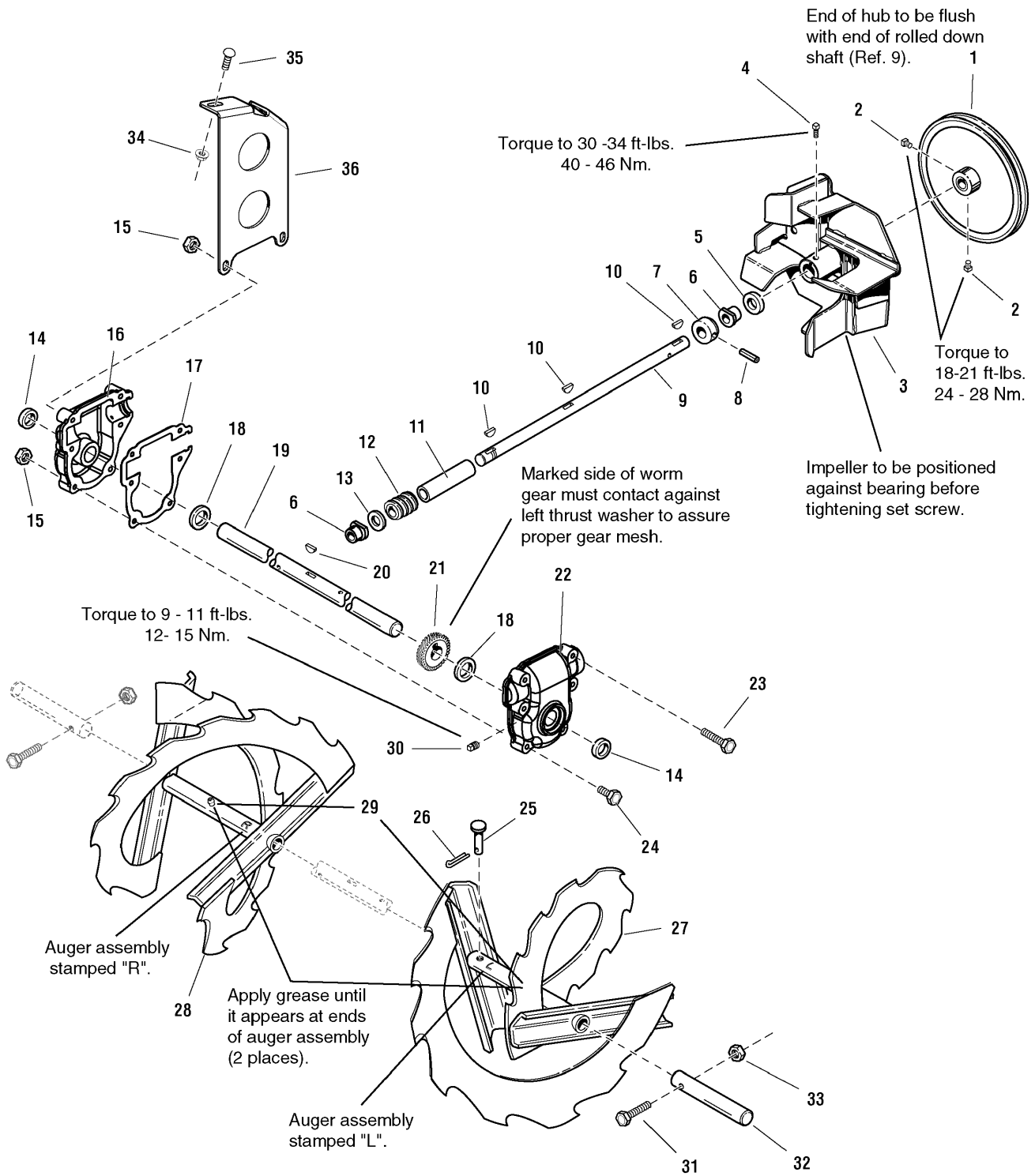


Auger Housing and Chute Group - 38 inch

Item	Part No	Qty	Description	Note
38	1725747A	2	SKID SHOE, 7GA Formed, Heat Treated	
39	1723921A	1	BLADE, Scraper, 35-3/4 for 38"	
40	1960702	4	CARRIAGE BOLT, 3/8-16 x 1 G5	
41	1935048	15	NUT, Hex Flange, 5/16-18, Two-Way Lock GA	
42	1960684	4	NUT, Hex Keps, 5/16-18, Conical Washer	
43	1723902D	1	HOUSING AND IMPELLER ASSEMBLY, 38", Red	
44	1921332	4	CAPSCREW, Hex Head, 5/16-18 x 3/4 G5	
45	1715787D	2	CUTTER, Drift, 1/4" Thick, 20LG	
46	1666613	3	HOLD DOWN, Chute	
47	1717477A	1	GEAR, Chute, Black	
48	1930659	3	NUT, Retainer Speed, 5/16-18	
49	1715799	1	HANDLE "T"	
50	1930547	1	SCREW, Set, Hex #10-24 x 3/8	
51	1706201	1	HANDLE "T"	(Handle with round inside barrel)
52	1960399	1	SCREW, Round Head	

Footnotes:

Auger Drive Group

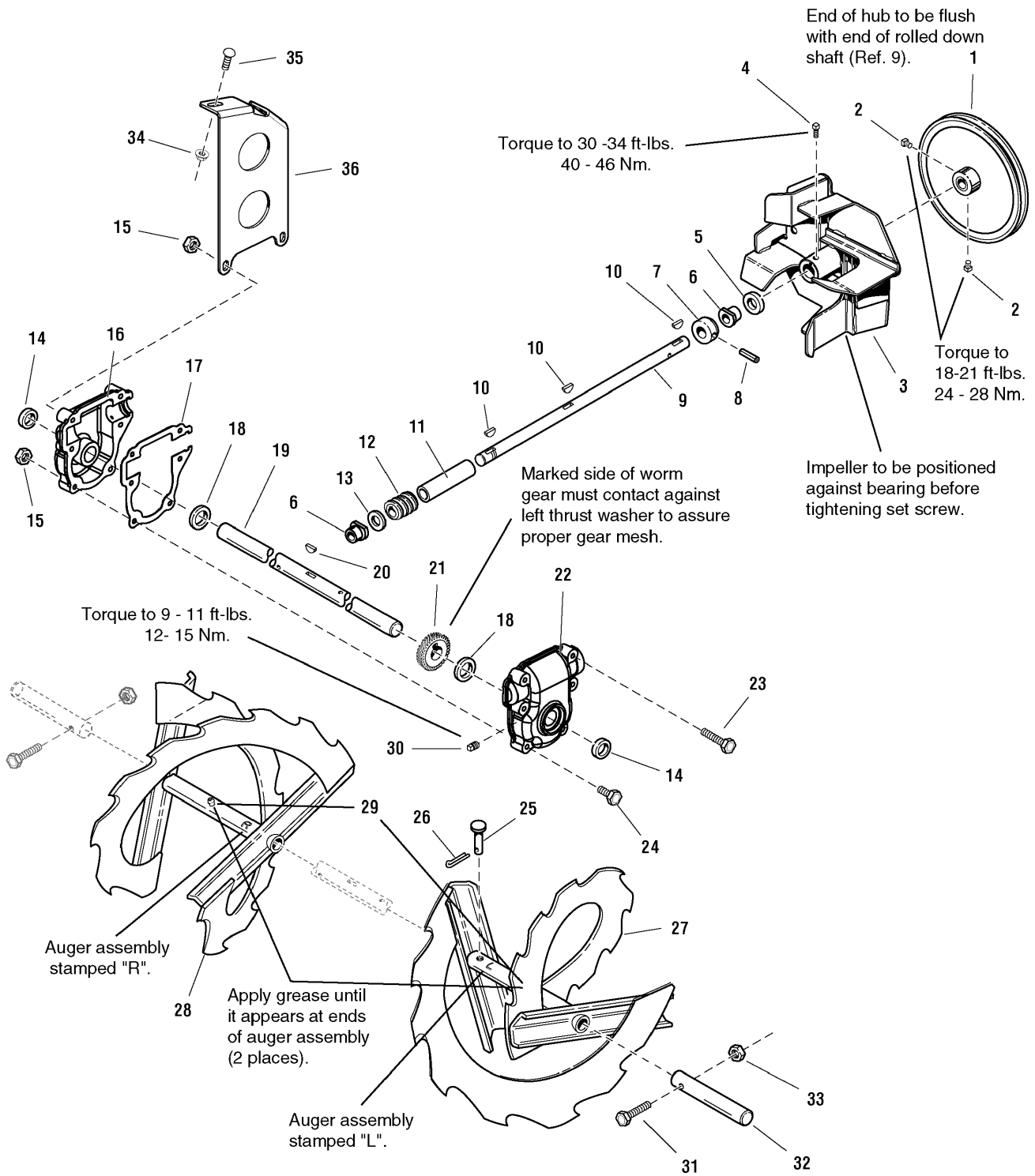


Auger Drive Group

Item	Part No	Qty	Description	Note
1	1679293	1	PULLEY, w/Hub	
2	1928721	2	SCREW, Set Square Head Cup Point, 5/16-18 x 1/2 G8	
3	1612187A	1	IMPELLER ASSEMBLY	
4	1960474	1	SCREW, Set Square Head Cup Point, 3/8-16 x 1/2 G8	
5	1612093	1	SEAL, Oil 1/4" Thick	
6	1612149	2	BUSHING, 377/500 ID x 1-1/10 OD x 1-1/100 LG Powderdered Metal	
7	1612127	1	COLLAR, Thrust 3/4 LG	
8	2936098	1	PIN, Drive Lock Type A 3/16 x 1-1/2	
9	1612129	1	SHAFT, Worm 18-1/10 LG	
10	2918312	3	KEY, Woodruff, 47/250 x 5/8	
11	1612111	1	TUBE, 9/10 OD 39/50 ID, 7-1/2 LG	
12	1612142	1	GEAR, Worm 1-3/8 LG	
13	2168111	1	WASHER, Thrust	
14	2118118	2	SEAL, Oil, 1/4" Thick	
15	1930642	8	NUT, Hex Flange, 1/4-20 Toplock Small	12387E, E12387, 10287E, E10287 Quantity of 6
16	1612137	1	CASE, Gear R.H.	
17	1612124	1	GASKET, Gear Case	
18	2118315	2	WASHER, Thrust	
19	1612117	1	SHAFT, 16 LG Auger 3 Holes	
20	2930246	1	KEY, Woodruff 1/4 x 3/4	
21	1612141	1	GEAR, Worm 7/8 LG	
22	1612136	1	CASE, Gear L.H.	
23	1923282	2	CAPSCREW, Hex Head, 1/4-20 x 2-1/2 G5	
24	1960346	8	CAPSCREW, Hex Head, 1/4-20 x 2-1/4 G5	12387E, E12387, 10287E, E10287 Quantity of 6
25	1668344	2	PIN, Flat Head Drilled	
26	1918447	2	PIN, Cotter 47/50 x 3/4	
27	1718782A	1	AUGER ASSEMBLY, L.H. 9-1/2 LG	
27	1718784A	1	AUGER ASSEMBLY, L.H. 11-1/2 LG	
27	1718786A	1	AUGER ASSEMBLY, L.H. 13-1/2 LG	
27	1723945A	1	AUGER ASSEMBLY, L.H. 15-9/10 LG	
28	1718783A	1	AUGER ASSEMBLY, R.H. 9-1/2 LG	
28	1718785A	1	AUGER ASSEMBLY, R.H. 11-1/2 LG	
28	1718787A	1	AUGER ASSEMBLY, R.H. 13-1/2 LG	
28	1723944A	1	AUGER ASSEMBLY, R.H. 15-9/10 LG	
29	2921133	2	FITTING, Lube 1/4 Drive, No Check Ball	
30	1668971	1	FITTING, Pipe Plug, Square Head	
31	7091553	2	CAPSCREW, Hex Head, 1/4-20 x 1-3/4 G5	Was 1921962

Footnotes:

Auger Drive Group

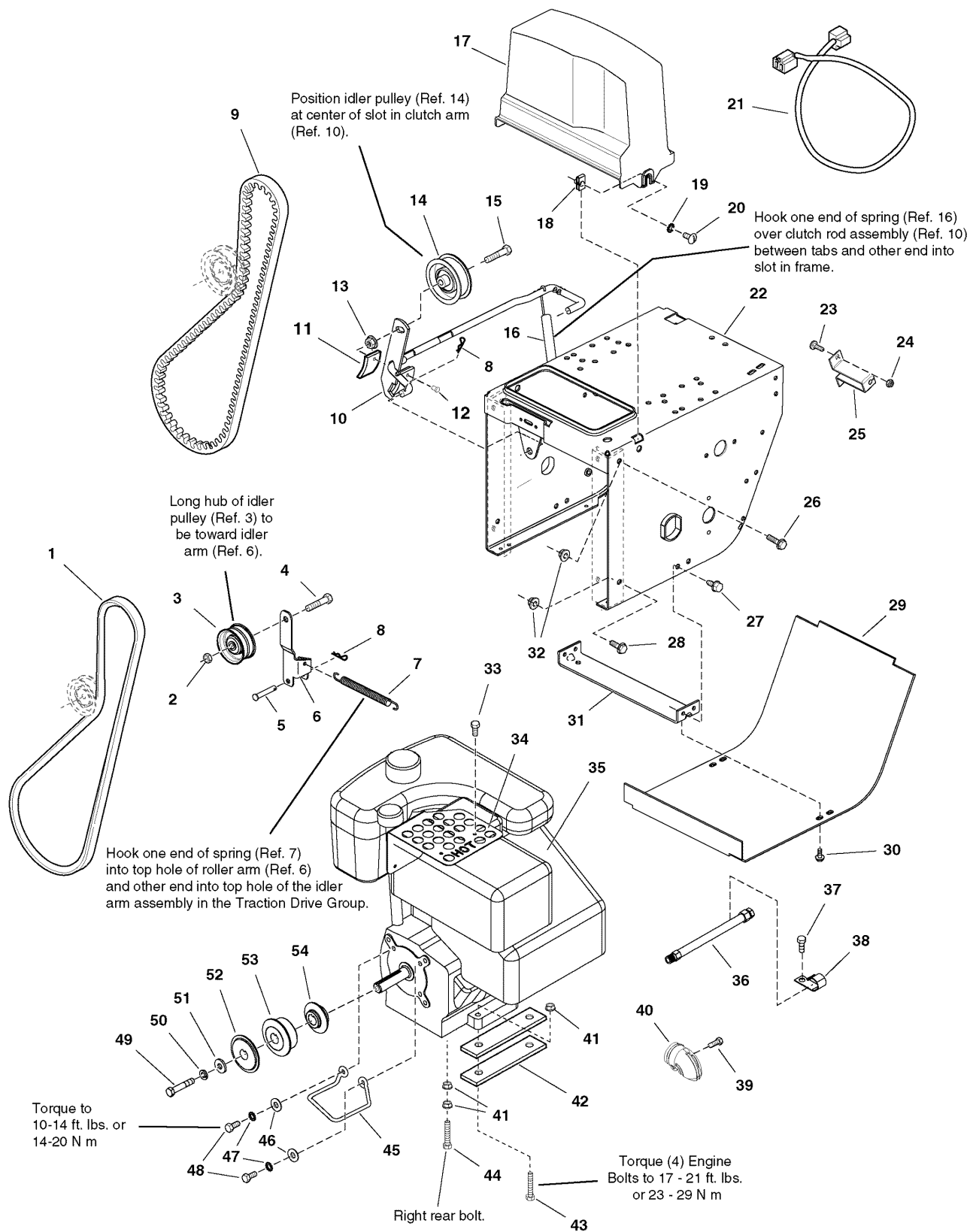


Auger Drive Group

Item	Part No	Qty	Description	Note
32	1723931	2	SHAFT, E-Coat, 5 LG	
33	1920397	2	NUT, Hex Lock ESNA Light, 1/4-20NC-3B	
34	1931277	2	NUT, Hex Flange, 5/16-18, Whiz Lock Small	
35	1931333	2	CARRIAGE BOLT, 5/16-18 x 3/4 G5	
36	1723922A	1	SUPPORT, Gear Box 10GA	

Footnotes:

Engine and Frame Group



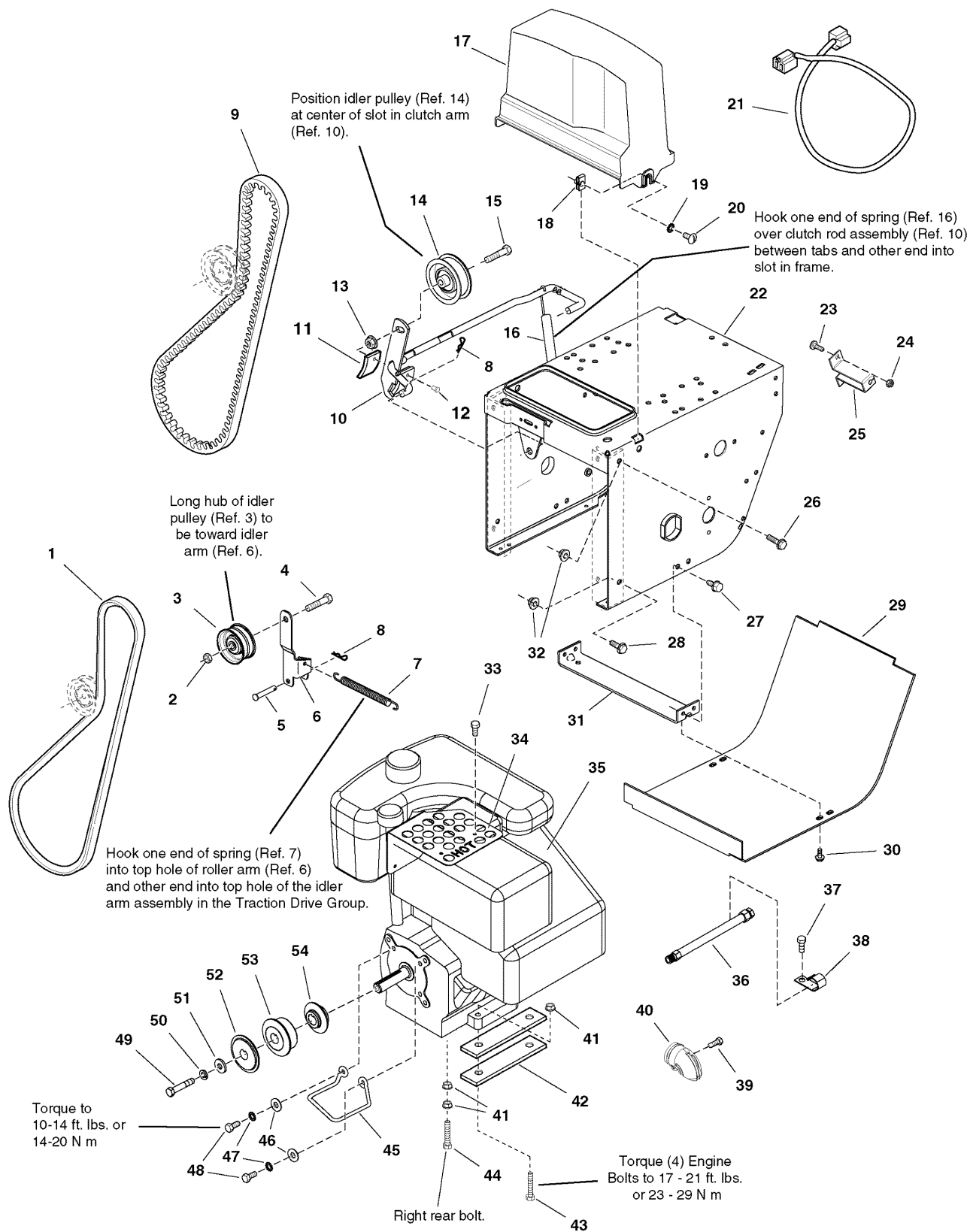
Engine and Frame Group

Item	Part No	Qty	Description	Note
1	1700415	1	V-BELT, 3L (Use on all models Except 12387E, E12387)	
1	1672732	1	V-BELT, 3L (Used on models 12387E, E12387)	
2	1928731	1	NUT, Hex, Toplock, Jam, 3/8-16	
3	1668477	1	PULLEY, Idler	
4	1960647	1	SCREW, Hex Head, 3/8-16 x 1-1/2	
5	1665994	1	PIN, Flat Head Drilled	
6	1703046A	2	ARM, Idler, 5-3/4 LG	
7	1727149	1	SPRING, Extension	
8	1722460	1	PIN, Quick	
9	1666655	1	V-BELT, HA (Used on models 12387E, E12387)	
9	1725416	2	V-BELT, HA (Use on all models Except 12387E, E12387)	
10	1727058A	1	ROD AND ARM ASSEMBLY, Clutch, Brake w/Pad	
11	1669313	1	PAD, Brake	
12	2925160	1	RIVET, Pop	
13	1928352	1	NUT, Hex Flange, 3/8-16 Whiz Lock Large	
14	1726348	1	PULLEY, Idler	
15	2960709	1	SCREW, Hex Whiz Lock Flange, 3/8-16 x 1-3/4	
16	1727059	1	SPRING, Extension	
17	1725287	2	COVER, Belt	
18	1935255	1	NUT, Speed, 5/16-18, Lug Type	
19	7090395	2	LOCKWASHER, External Tooth, 5/16	Was 920426
20	1918249	2	SCREW, Truss head Slotted, 5/16-18 x 3/4	
21	1724064	1	CORD, Electric Extension	
22	1726568D	4	FRAME ASSEMBLY, Chain/Tube Handles, Red	
23	1931317	1	CARRIAGE BOLT, 1/4-20 x 3/4 G5	
24	1960685	2	NUT, Hex KEPS, 1/4-20, Conical Washer	
25	1720404A	4	SUPPORT, Clutch Cable, 16GA	
26	1930591	1	SCREW, Hex Whiz Lock Flange, 5/16-18 x 3/4	
27	7091541	1	SCREW, Hex Washer Head Taptite, 5/16-18 x 3/4	Was 1664847
28	1930595	1	SCREW, Hex Whiz, 31/100-18 x 1-1/4	
29	1726870D	4	COVER, Bottom Frame, 20GA, Red	
30	1925003	1	SCREW, Hex Washer Head Taptite, 1/4-20 x 1/2	
31	1727004A	2	SUPPORT, Tie Bar, Black	
32	1927557	4	NUT, Hex Flange, 5/16-18, Whiz Lock Large	
33	1725664A	1	GUARD, Muffler, 18GA	
34	1929477	1	SCREW, Hex Washer Head Taptite, #10-24 x 1/2	
35	--	1	ENGINE, 9/12 HP B&S Electric Start Engine Model: 20G4140-0111-E1	

Footnotes:

Purchase engine parts from engine manufacture dealer.

Engine and Frame Group



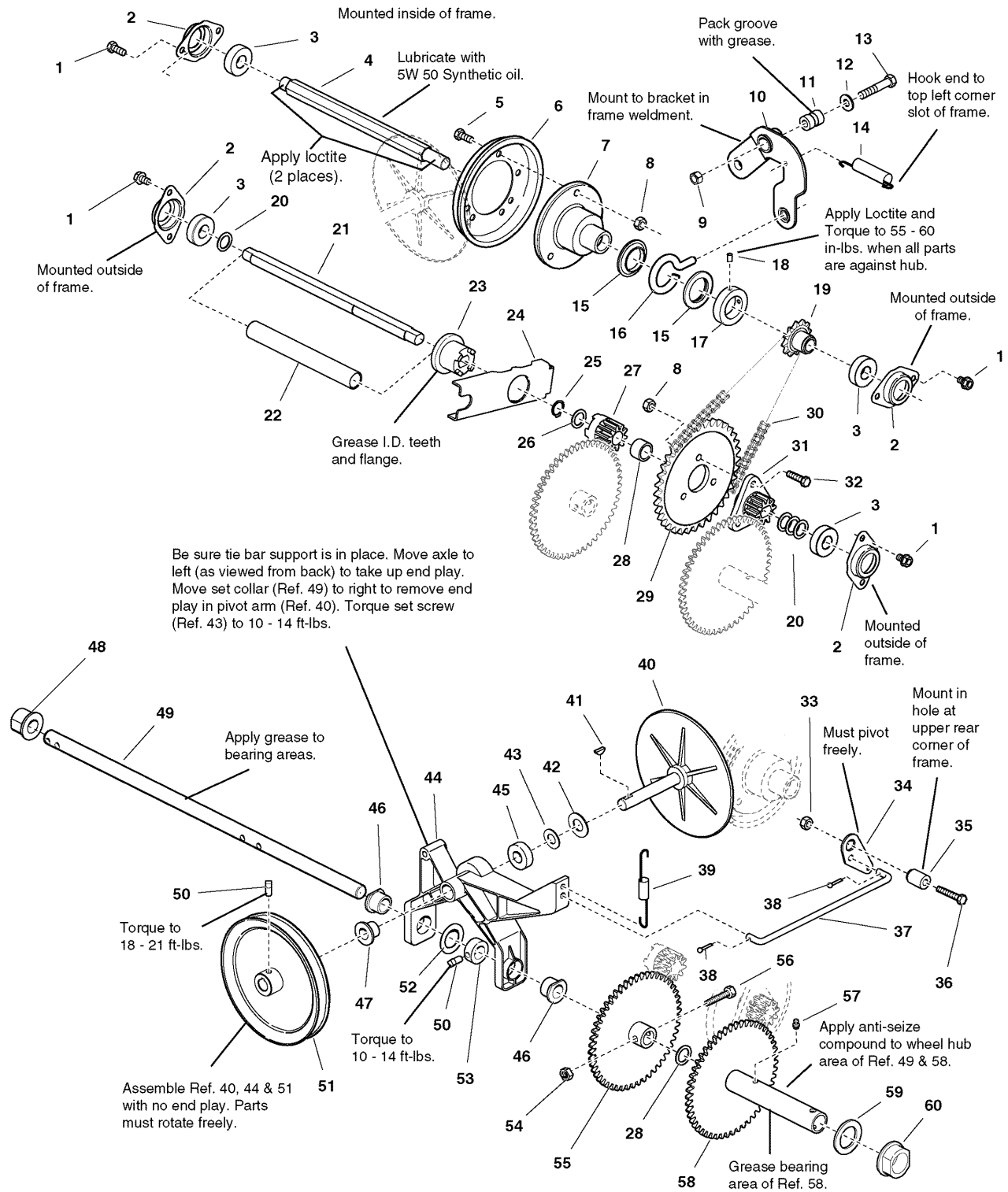
Engine and Frame Group

Item	Part No	Qty	Description	Note
35	--	1	ENGINE, 9/12 HP B&S Electric Start (CE) Engine Model: 20G4160-0110E1	
36	1726942	2	HOSE, Oil Drain, w/Fittings	
37	7091541	1	CAPSCREW, Hex Washer Head, 5/16-18 x 3/4	Was 1664847
38	1727068	1	CLIP, "J"	
39	1727033	1	SCREW, Muffler Deflector	
40	1727032	3	DEFLECTOR, Rain Guard, B&S Snow Muffler	
41	7091601	3	NUT, Hex Flange, 5/16-18, Whiz Lock Small	Was 931277
42	1725326CD	1	SUPPORT, Engine Riser, 3/8" Thick, 1-1/4 x 4-31/50	Used on all models except 12387E, E12387
43	1935159	1	CAPSCREW, Hex Whiz Lock Flange, 5/16-18 x 2-1/4	Used on all models except 12387E, E12387
43	7091540	1	CAPSCREW, Hex Head, 5/16-18 x 1-1/2 G5	Was 1921221 (Used on 12387E, E12387)
44	2960551	4	CAPSCREW, Hex Washer Head Taptite, 5/16-18 x 2-1/2	Used on all models except 12387E, E12387
44	7091908	3	CAPSCREW, Hex Head 5/16-18 x 1-3/4 G5	Was 922127 (Used on 12387E, E12387)
45	1668174	1	STOP, Belt	
46	1919326	2	WASHER, 5/16	
47	1917356	2	LOCKWASHER, Spring, 5/16	
48	7091608	1	CAPSCREW, Hex Head, 5/16-24 x 3/4 G5	Was 1921515
49	1922128	1	CAPSCREW, Hex Head, 3/8-24 x 1-1/2 G8	
50	3031008	1	LOCKWASHER, Spring, 3/8	Was 1916965
51	1922755	1	WASHER, 3/8	
52	1726867	1	PULLEY, Engine Outside, Powdered Metal	
53	1726866	1	PULLEY, Engine Middle, Powdered Metal	
54	1726865	1	PULLEY, Half Powdered Metal	

Footnotes:

Purchase engine parts from engine manufacture dealer.

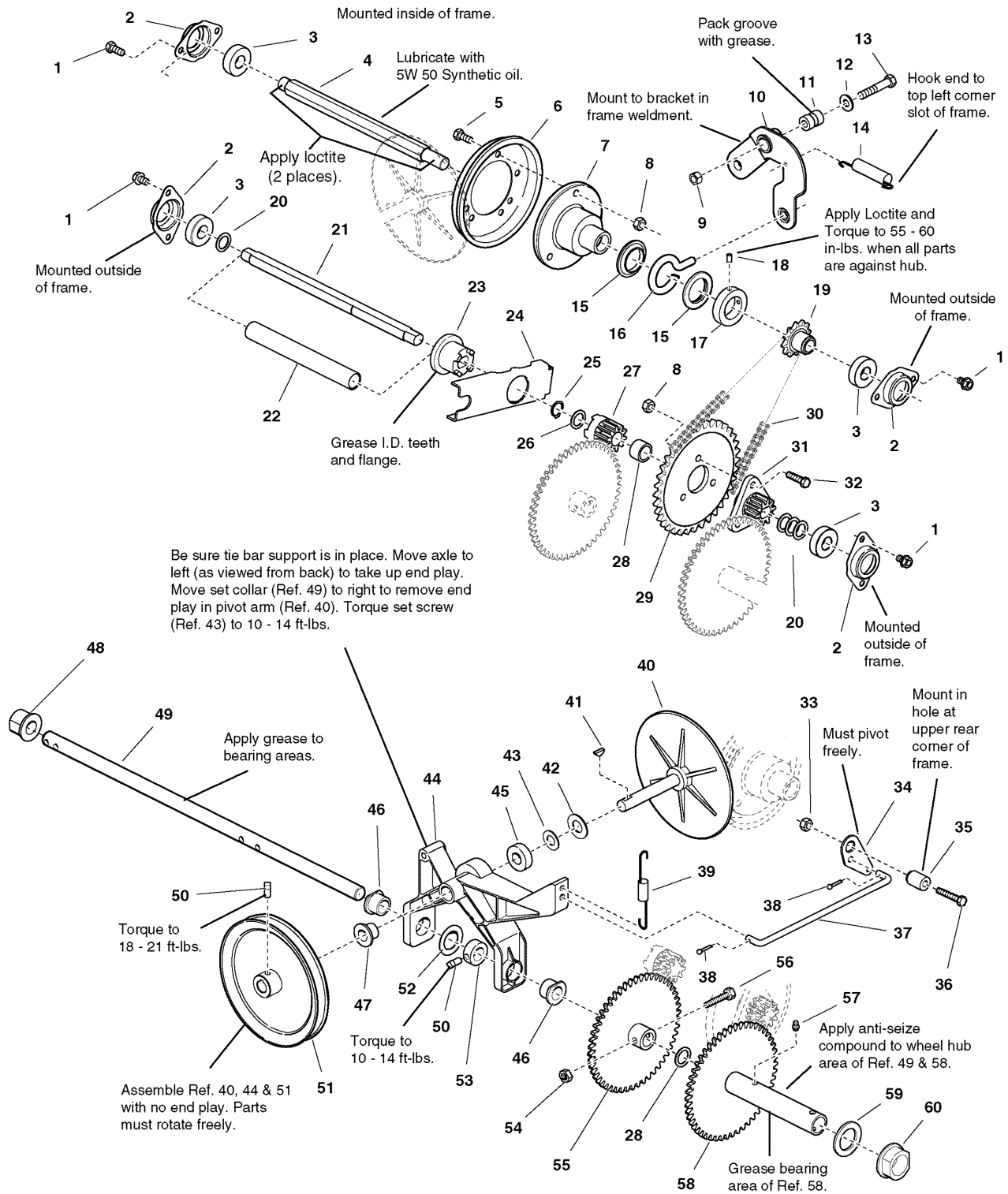
Traction Drive Group



Traction Drive Group

Item	Part No	Qty	Description	Note
1	1930601	8	SCREW, Hex Washer Head Taptite, 5/16-18 x 5/8	
2	1667341	4	RETAINER, Bearing	
3	1722703	4	BEARING, Ball	
4	1726856	1	SHAFT, Hex	
5	1921332	3	CAPSCREW, Hex Head, 5/16-18 x 3/4 G5	
6	1725428	1	DISC, Friction with Insert	
7	1665995	1	HUB, Friction Disc	
8	1960684	6	NUT, Hex Keps, 5/16-18, Conical Washer	
9	1960687	1	NUT, Hex Flange, 3/8-16 ESNA	
10	1669256	1	ARM ASSEMBLY, Shift w/Bushing	
11	1666114	1	BUSHING, 19/50 ID x 3/4 OD x 1-3/100 LG	
12	7090122	1	WASHER, 3/8	Was 1924940
13	1923701	1	CAPSCREW, Hex Head, 3/8-16 x 2 G5	
14	1668255	1	SPRING, Extension	
15	1678956	2	COLLAR, Thrust	
16	1666207	1	PIN, Loop	
17	1667335	1	COLLAR, Set	
18	1724333	2	SCREW, Set Square Head Cup Point, 1/4-20 x 1/2	
19	1726931	1	SPROCKET, 10 Tooth	
20	2960164	4	WASHER, 5/8	
21	1718752	1	JACKSHAFT, Double D	
22	1720298	1	SPRING, Complete	
23	1718689	1	CLUTCH, Sliding, 1/5LG, Powdered Metal	
24	1720078A	1	ARM, Clutch	
25	2927732	1	RING, Retaining Extension	
26	1960114	3	WASHER, 3/4	
27	1718688	1	GEAR, Stationary Clutch	
28	1679556	1	SPACER, Heat Treated, 31/100 LG	
29	1667330	1	SPROCKET	
30	1666980	1	CHAIN, Roller	
31	1718687	1	GEAR, Double D	
32	1921333	3	CAPSCREW, Hex Head, 5/16-18 x 1 G5	
33	1960686	2	NUT, Hex Flange, 5/16-18 ESNA	
34	1700473	1	BELLCRANK	
35	1666106	1	BUSHING, 11/32 ID x 3/4 OD x 1-3/50 LG	
36	7091908	1	CAPSCREW, Hex Head, 5/16-18 x 1-3/4 G5	Was 1922127
37	1726467	1	ROD, Pivot, 9-15/100 LG	

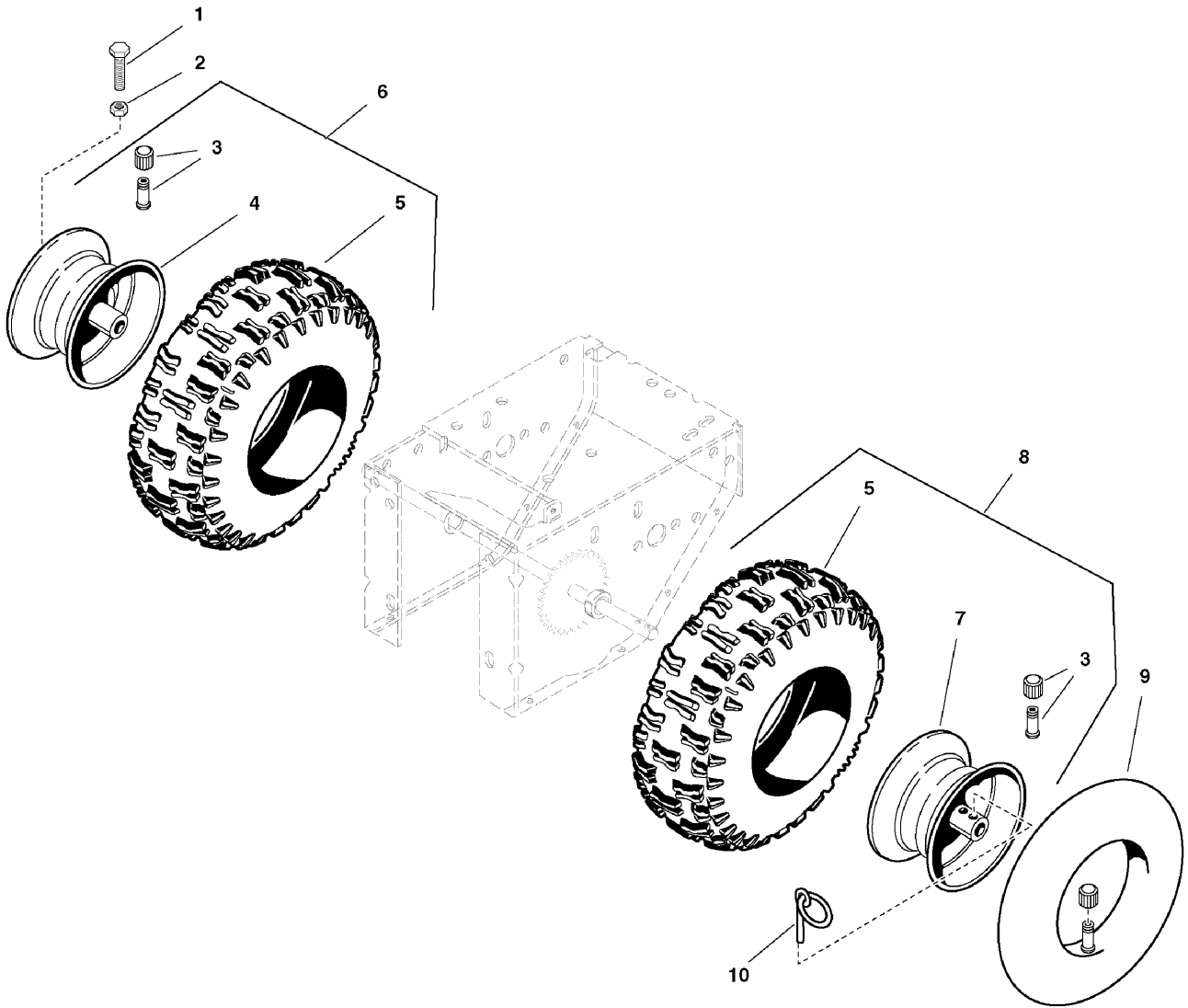
Footnotes:



Traction Drive Group

Item	Part No	Qty	Description	Note
38	1722460	1	PIN, Quick	
39	1725666	1	SPRING, Extension	
40	1719879	1	DRIVE DISC with SPINDLE	
41	2918312	1	KEY, Woodruff, 47/250 x 5/8	
42	1960114	1	WASHER, 5/8	
43	1924366	1	WASHER, 5/8	
44	1670849	1	ARM, Pivot with Bushings & Bearings	
45	1665521	1	BEARING, Ball	
46	1666425	2	BUSHING, 3/4 ID x 1 OD x 3/4 LG, Powder Metal	
47	1666855	1	BUSHING, 5/8 ID x 13/16 OD x 3/4 LG, Powder Metal	
48	1666001	1	BUSHING, 377/100 ID x 1-13/100 OD x 1 LG, Powdered Metal	
49	1720299	1	AXLE, Round	
50	1928721	2	SCREW, Set Square Head Cup Point, 5/16-18 x 1/2 G8	
51	1672595A	1	PULLEY AND HUB ASSEMBLY	
52	1919394	1	WASHER, 1	
53	1729254	1	COLLAR, Set	
54	1919438	3	NUT, Hex Lock, 5/16-18	
55	1720300	1	GEAR AND HUB ASSEMBLY- RH	
56	1930570	1	CAPSCREW, Hex Head, 5/16-18 x 1-1/2 G8	
57	2921133	1	FITTING, Lube 1/4 Drive, No Check Ball	
58	1720716	1	GEAR AND HUB ASSEMBLY with BUSHINGS	
59	2960169	1	WASHER, 1-47/250	
60	1720305	1	BUSHING, 1-27/200 ID x 1-157/250 OD x 3/4 LG	

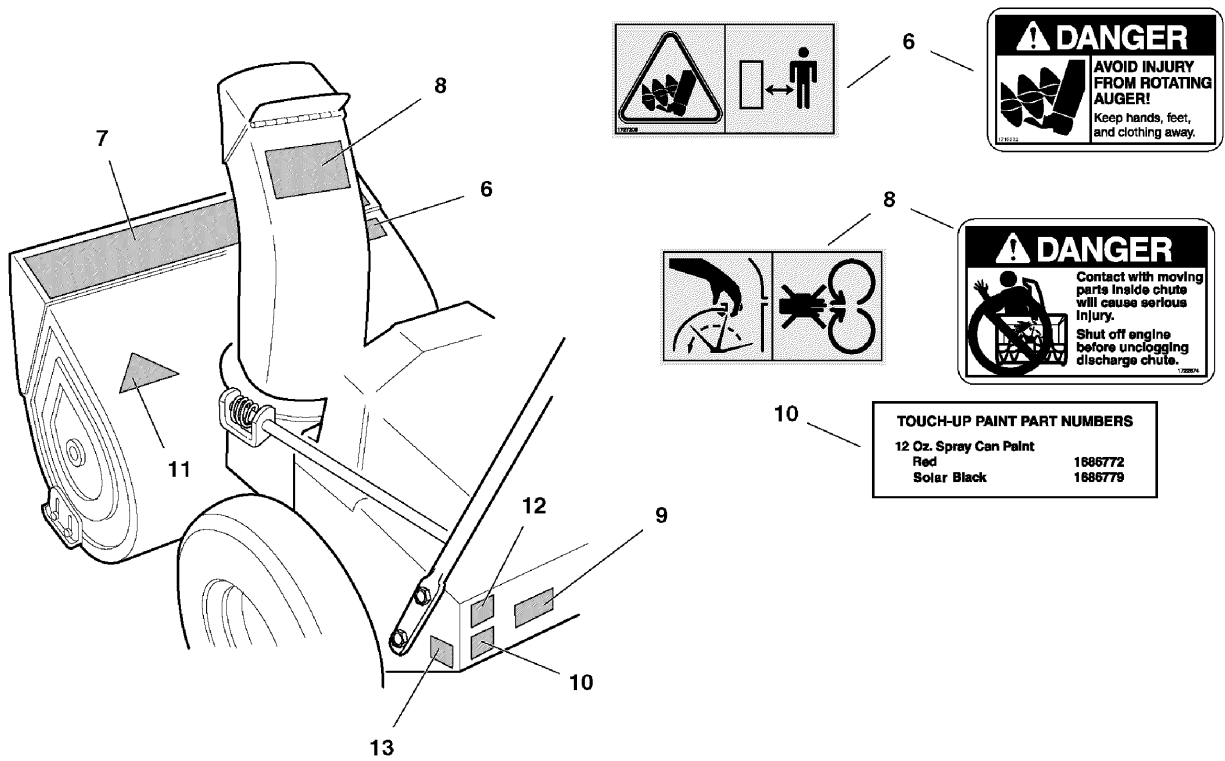
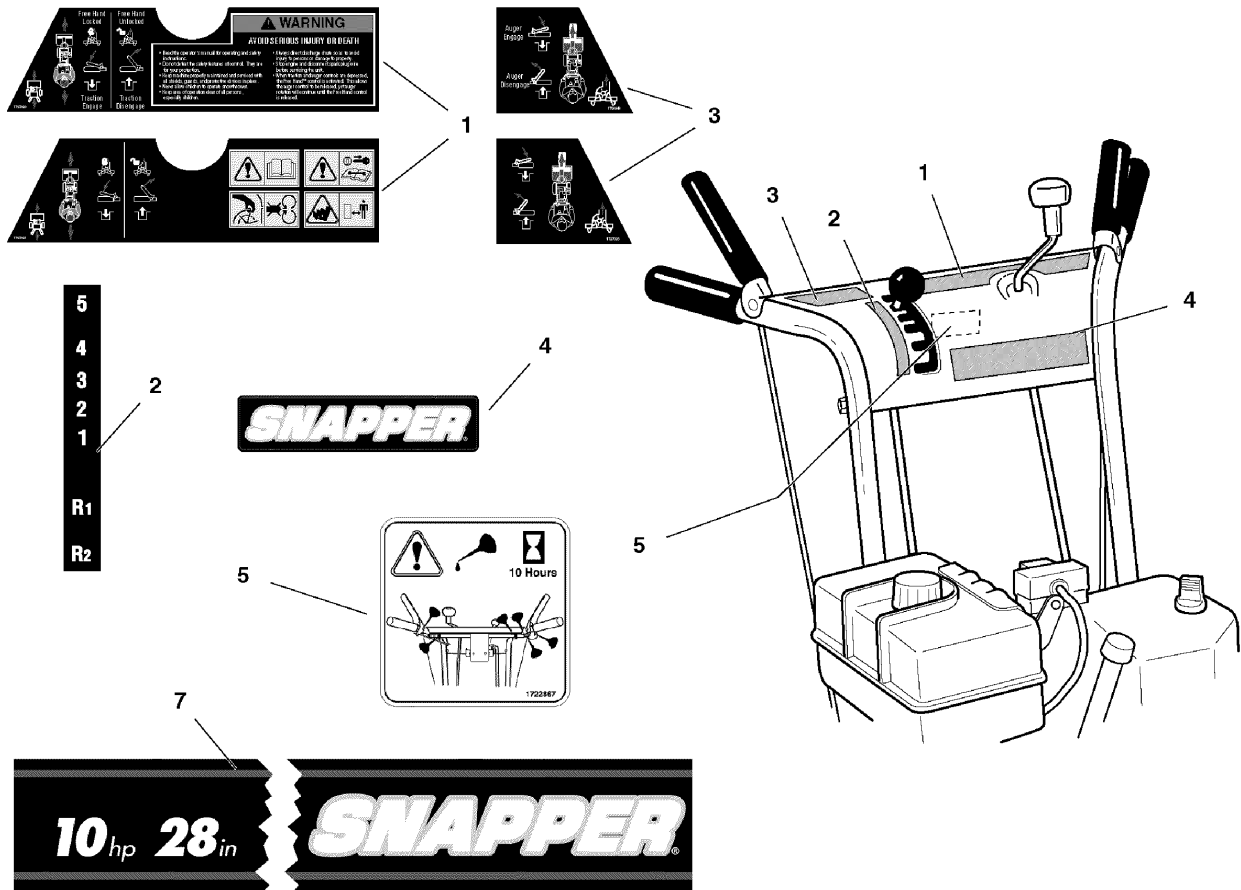
Footnotes:



Wheel & Tires Group

Item	Part No	Qty	Description	Note
1	1921978	1	CAPSCREW, Hex Head, 5/16-18 x 2	
2	1919438	1	NUT, Hex Lock ESNA Light, 5/16-18	
3	2172353	2	VALVE STEM & CAP	
4	1714242	1	HUB, Wheel, RH	<i>For Models 9247E, E9247, 10287E, E10287</i>
4	1722762	1	HUB, Wheel, RH	<i>For Models 11327E, E11327, 12387E, E12387</i>
5	1612000	2	TIRE, 4.80-4.00-8	<i>For Models 9247E, E9247, 10287E, E10287</i>
5	1722597	2	TIRE, 16 x 6.50-6	<i>For Models 11327E, E11327, 12387E, E12387</i>
6	1714235	1	WHEEL & TIRE ASSEMBLY, RH (Includes Ref. Nos. 3, 4 & 5)	<i>For Models 9247E, E9247, 10287E, E10287</i>
6	1722599	1	WHEEL & TIRE ASSEMBLY, RH (Includes Ref. Nos. 3, 4 & 5)	<i>For Models 11327E, E11327, 12387E, E12387</i>
7	1720307	1	HUB, Wheel, LH	<i>For Models 9247E, E9247, 10287E, E10287</i>
7	1722761	1	HUB, Wheel, LH	<i>For Models 11327E, E11327, 12387E, E12387</i>
8	1720306	1	WHEEL & TIRE ASSEMBLY, LH (Includes Ref. Nos. 3, 5 & 7)	<i>For Models 9247E, E9247, 10287E, E10287</i>
8	1722598	1	WHEEL & TIRE ASSEMBLY, LH (Includes Ref. Nos. 3, 5 & 7)	<i>For Models 11327E, E11327, 12387E, E12387</i>
9	2153038	2	TUBE, Tire	
10	1666969	1	KLIK-PIN	

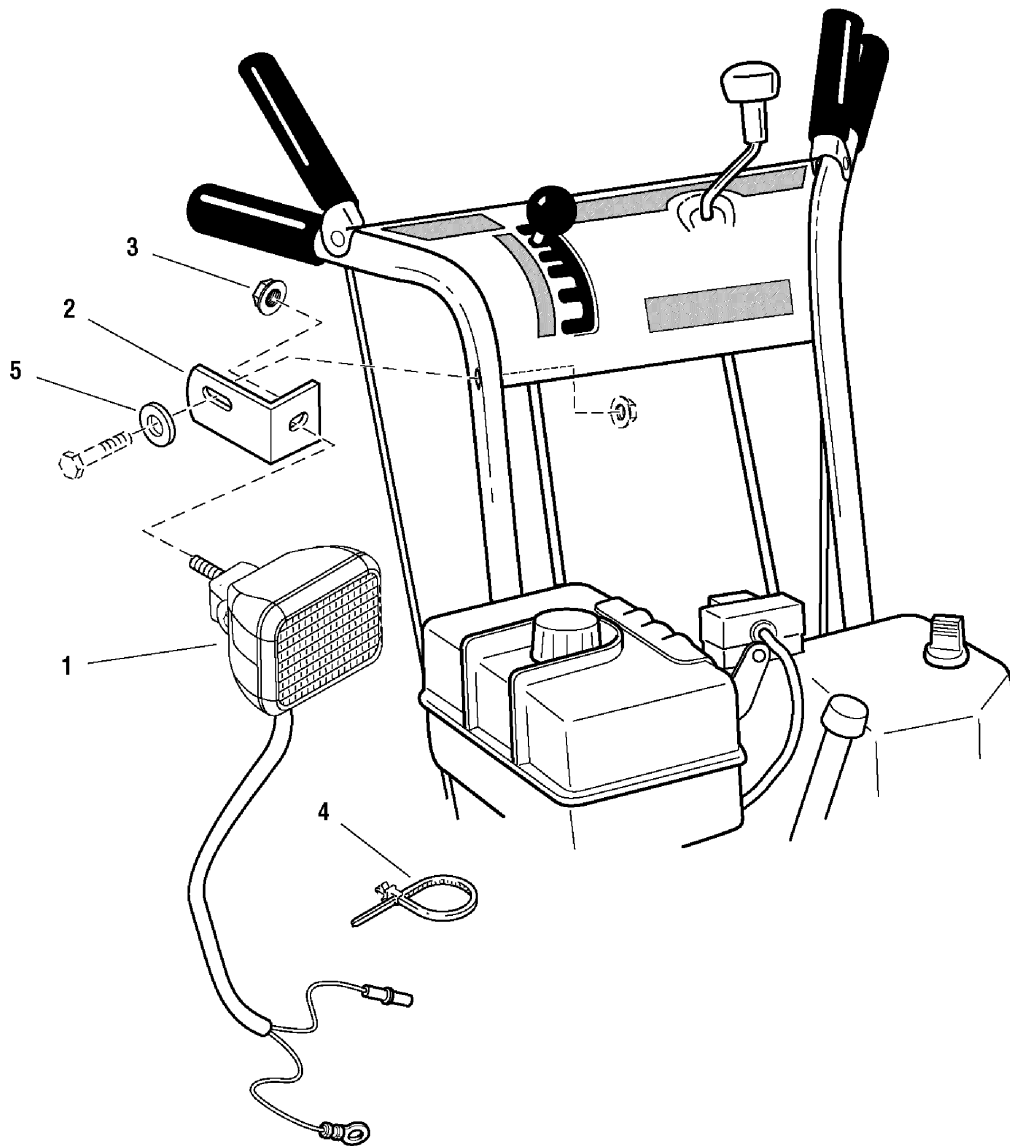
Footnotes:



Decal Group

Item	Part No	Qty	Description	Note
1	1727022	1	DECAL, Dashboard	
1	1726945	1	DECAL, Dashboard (CE)	
2	1715557	1	DECAL, Shift Pattern	
3	1727023	1	DECAL, Auger Control	
3	1726946	1	DECAL, Auger Control (CE)	
4	1726721	1	DECAL, Snapper, Front Dash, 1-3/4 x 7-1/2	
5	1722867	1	DECAL, Handle Lubrication	
6	1716532	1	DECAL, Auger Impeller Warning	
6	1727208	1	DECAL, Auger Impeller Warning (CE)	
7	1726948	1	DECAL, Snapper, 9HP, 24" Stripe	
7	1726722	1	DECAL, Snapper, 10HP 28" Stripe	
7	1726723	1	DECAL, Snapper, 11HP 32" Stripe	
7	1726724	1	DECAL, Snapper, 12HP 38" Stripe	
8	7071880	1	DECAL, Discharge Chute, Danger	
8	1727207	1	DECAL, Discharge Chute, Danger (CE)	
9	--	1	DECAL, Patent	<i>Not a serviceable part.</i>
10	1725072	1	DECAL, Touch Up Paint Snapper/Massey Red	
11	--	1	DECAL, OPEI Certified ANSI	<i>Not a serviceable part.</i>
12	--	2	LABEL, ID Plate	<i>Not a serviceable part.</i>
13	--	2	LABEL, Decibel (CE)	<i>Not a serviceable part.</i>

Footnotes:



Headlight Group

Item	Part No	Qty	Description	Note
1	1727076	1	HEADLIGHT ASSEMBLY, Clear Rectangle	
2	1715509A	1	BRACKET, Headlight	
3	1960684	1	NUT, Hex Keps, 5/16-18, Conical Washer	
4	2925094	2	TIE, Self Locking	
5	1919326	1	WASHER, 5/16	

Footnotes:

Parts Manual for

SNAPPER®

TWO STAGE LARGE FRAME SNOW THROWER (2005) SERIES 7

IT IS THE POLICY OF BRIGGS & STRATTON CORP TO IMPROVE ITS PRODUCTS WHENEVER IT IS POSSIBLE AND PRACTICAL TO DO SO. WE RESERVE THE RIGHT TO MAKE CHANGES OR ADD IMPROVEMENTS AT ANY TIME WITHOUT INCURRING ANY OBLIGATION TO MAKE SUCH CHANGES ON PRODUCTS

SNAPPER® McDonough, GA, 30253 U.S.A.

Free Manuals Download Website

<http://myh66.com>

<http://usermanuals.us>

<http://www.somanuals.com>

<http://www.4manuals.cc>

<http://www.manual-lib.com>

<http://www.404manual.com>

<http://www.luxmanual.com>

<http://aubethermostatmanual.com>

Golf course search by state

<http://golfingnear.com>

Email search by domain

<http://emailbydomain.com>

Auto manuals search

<http://auto.somanuals.com>

TV manuals search

<http://tv.somanuals.com>