

## Setup Instructions for Intermediate & Large Frame Snowthrowers

**EN** Initial setup

**SE** Först anägga

**DE** Ersteinrichtung

**FR** Assemblage initial

**NO** Forbokstav monterer

**IT** Installazione iniziale

This Dealer Setup Instruction applies to the following units:

Mfg. No.	Description		
1694836	7555M, 7.5HP, Snowthrower	1694857	115327E, 11.5HP Snowthrower
1694837	7555EX, 7.5HP, Snowthrower (CE)	1694858	E115327, 11.5HP Snowthrower (CE)
1694845	8560EI, 8.5HP OHV, Snowthrower	1694859	13387E, 13HP Snowthrower
1694846	8560EX, 8.5HP OHV, Snowthrower (CE)	1694860	E13387, 13HP Snowthrower (CE)
1694847	10560E, 10.5HP Snowthrower	1694867	9560E, 9.5HP Snowthrower
1694848	10560EX, 10.5HP Snowthrower (CE)	1694872	1390E, 13HP Snowthrower
1694849	11570E, 11.5HP Snowthrower	1694914	9560EX, 9.5HP Snowthrower (CE)
1694850	11570EX, 11.5HP Snowthrower (CE)	1694915	1390EX, 13HP Snowthrower (CE)
1694851	1380E, 13HP Snowthrower	7800000	I75225, 7.5HP, Snowthrower
1694852	1380EX, 13HP Snowthrower (CE)	7800001	EI75225, 7.5HP, Snowthrower (CE)
1694853	95247E, 9.5HP Snowthrower	7800017	I85245E, 8.5HP OHV, Snowthrower
1694854	E95247, 9.5HP Snowthrower (CE)	7800018	EI85245, 8.5HP OHV, Snowthrower (CE)
1694855	105287E, 10.5HP Snowthrower		
1694856	E105287, 10.5HP Snowthrower (CE)		




© Copyright 2005 Simplicity Manufacturing, Inc.  
All rights reserved. Printed in USA.

Form No. 1731295  
Revision 01  
Revision Date 8/2005

# SAFETY RULES



Read these safety rules and follow them closely. Failure to obey these rules could result in loss of control of unit, severe personal injury or death to you, or bystanders, or damage to property or equipment. The triangle  in text signifies important cautions or warnings which must be followed.

## GENERAL OPERATION

- Read, understand, and follow all instructions in the manual and on the unit before starting.
- Only allow responsible adults, who are familiar with the instructions, to operate the unit (local regulations can restrict operator age).
- Clear the area of objects such as rocks, toys, wire, etc., which could be picked up and thrown.
- Be sure the area is clear of other people. Stop unit if anyone enters the area.
- Always look down and behind before and while travelling in reverse.
- Be aware of the discharge direction and do not point it at anyone. Do not point the discharge at glass enclosures, automobiles, or windows.
- Disengage all clutches (release drive and auger control levers) before starting the engine.
- Never leave a running unit unattended. Always disengage the auger and traction controls, stop engine, and remove keys.
- Stop engine before unclogging chute.
- Operate only in daylight or good artificial light.
- Do not operate the unit while under the influence of alcohol or drugs.
- Watch for traffic when operating near or crossing roadways.
- Use extra care when loading or unloading the unit into a trailer or truck.
- Keep in mind the operator is responsible for accidents occurring to other people or property.
- Data indicates that operators, age 60 years and above, are involved in a large percentage of power equipment-related injuries. These operators should evaluate their ability to

- operate the unit safely enough to protect themselves and others from injury.
- All operators should seek and obtain professional and practical instruction.
- Always wear substantial footwear and appropriate winter clothing. Wear foot-ware that improves traction on slippery slopes. DO NOT wear long scarves or loose clothing that could become entangled in moving parts.
- Before using, always visually check that all hardware is present, in-tact, and secure. Replace worn or damaged parts.
- Never operate the machine with defective guards, or without safety protective devices in place.
- Stop engine before: refuelling, removing an attachment, making adjustments (unless the adjustment can be made from the operator's position).
- Follow the manufacturer's recommendation for wheel weights or counterweights.
- Adjust skid shoe height to clear gravel or crushed rock surfaces.
- Do not touch snowthrower parts which may be hot from operation. Allow such parts to cool before attempting to service the unit.

## CLEARING A CLOGGED DISCHARGE CHUTE

Hand contact with the rotating impeller inside the discharge chute is the most common cause of injury associated with snowthrowers. Always use a clean out tool, not your hands, to clean out the discharge chute.

To clear the chute:

1. SHUT OFF THE ENGINE.
2. Wait 10 seconds to be sure the impeller blades have stopped rotating.
3. Always use a clean out tool, not your hands.

## SLOPE OPERATION

### WARNING

Never operate on slopes greater than 17.6 percent (10°) which is a rise of 3-1/2 feet (106 cm) vertically in 20 feet (607 cm) horizontally.

When operating on slopes use additional wheel weights or counterweights. See your dealer to determine which weights are available and appropriate for your unit.

Select slow ground speed before driving onto slope. Travel UP and DOWN the slope, never across the face, use caution when changing directions and DO NOT START OR STOP ON SLOPE.

Slopes are a major factor related to loss-of-control and tip-over accidents, which can result in severe injury or death. All slopes require extra caution. If you cannot back up the slope or if you feel uneasy on it, do not operate on it.

## EMISSIONS

- Engine exhaust from this product contains chemicals known, in certain quantities, to cause cancer, birth defects, or other reproductive harm.
- Look for the relevant Emissions Durability Period and Air Index information on the engine emissions label.

## Do

- See your authorized dealer for recommendations counterweights to improve stability.
- Travel up and down slopes, not across.
- Remove obstacles such as rocks, tree limbs, etc.
- Watch for holes, ruts, or bumps. Uneven terrain could overturn the unit. Snow can hide obstacles.
- Use slow speed. Tires may lose traction on slopes. Choose a low gear so that you will not have to stop or shift while on the slope.
- Keep all movement on the slopes slow and gradual. Do not make sudden changes in speed or direction.
- Always keep unit in gear especially when traveling downhill.

## Do Not

- Do not start or stop on a slope. If tires lose traction, disengage the auger and proceed slowly straight down the slope.
- Do not turn on slopes unless necessary, and then, turn slowly and gradually downhill, if possible.
- Do not operate near drop-offs, ditches, or embankments. The unit could suddenly turn over if a wheel is over the edge of a cliff or ditch, or if an edge caves in.
- Do not operate on wet surfaces. Reduced traction could cause sliding.
- Do not shift to neutral and coast down hills.

**(EN)**

## Contents:

1. Uncrate .....	4
2. Check Tire Pressure .....	4
3. Install Drift Cutters .....	5
4. Install Chute .....	5
5. Install Handles .....	6
6. Connect Spout Rotator .....	7
7. Tube Handle Levers .....	7
8. Electrical Connections .....	7
9. Speed Selector Connection .....	8
10. Auger Drive Connection .....	9
10. Traction Drive Connection .....	9
11. Speed Selector Adjustment .....	10
12. Auger Drive Tension .....	10
13. Traction Drive Tension .....	11
14. Connect Chute Control .....	22
15. Connect Easy Turn .....	22
16. Easy Turn Cable Adjustment .....	23
17. Auger Gear Case Lubrication .....	24
18. Checks Before Each Start-up .....	25

**(DE)**

## Inhaltsverzeichnis:

1. packen Sie aus .....	4
2. Prüfung des Reifendrucks .....	4
3. bringen Sie an Schneeantrieb	
Scherblock .....	5
4. bringen Sie an Rutsche .....	5
5. bringen Sie an Lenkstangen .....	6
6. schließen Sie Tüllerrotator .....	7
7. Schlauch-Handgriff-Hebel .....	7
8. electrical Anschlüsse .....	7
9. Geschwindigkeit Wählcaooenction	8
10. Schneckenwelle Antrieb	
connenction .....	9
10. Zugkraft-Antrieb connenction .....	9
11. Einstellung des	
Gangwahlschalters .....	10
12. Spannung des	
Schneckenantriebs .....	10
13. pannung des Fahrtrieb .....	11
14. Schließen Sie RutschcSteuerung	
An .....	22
15. schließen Sie an Easy Turn .....	22
16. Einstellung des Easy	
Turn-Seilzugs .....	23
17. Prüfung des Ölstands im	
Schneckenförderer-Getriebegehäuse .....	24
18. Sicherheitsprüfungen vor jeder	
Inbetriebnahme .....	25

**(NO)**

## Artikkel:

1. Dekasse .....	4
2. Kontrol av lufttrykket i dekkene .....	4
3. Insetallere Bakke Skjære .....	5
4. Insetallere Ventil .....	5
5. Insetallere Sykkelstyre .....	6
6. Forbindelse Ventil Rotator .....	7
7. rørhåndtakvektstenger .....	7
8. elektrisk forbindelse .....	7
9. Fart Skiftenøkkel Forbindelse .....	8
10. Skrue Forerø Forbindelse .....	9
10. Fengsle Fart Forbindelse .....	9
11. Justering av hastighetsvelgeren .....	10
12. Stramming av skovle drivet .....	10
13. Stramming av friksjonsdrivet .....	11
14. Forbindelse Chute Control .....	22
15. Forbindelse Easy Turn .....	22
16. Justering av Easy Turn-kabelen .....	23
17. Smør akselene og	
kontrollspakene .....	24
18. Følgende kontroller skal utføres	
for hver .....	25

**(SE)**

## Innehåll:

1. Depacke, .....	4
2. Kontroll av ringtrycket .....	4
3. Installera Trave Klippa .....	5
4. Installera Tub .....	5
5. Installera Styrstång .....	6
6. Ansluta Tub Roter .....	7
7. Modeller med rörhandtag	
hävstång .....	7
8. Electrical förhållande .....	7
9. Fart Urval Förbindelse .....	8
10. Skruv Aktur Förbindelse .....	9
10. Tag Aktur Förbindelse .....	9
11. Justering av hastighetsväljaren .....	10
12. Skruvens drivremsspänning .....	10
13. Hjuldrivningens	
drivremsspänning .....	11
14. Ansluta Tub Kontroll .....	22
15. Ansluta Easy Turn .....	22
16. Justering av	
Easy Turn-kabeln .....	23
17. Kontroll av smörjmedelsnivån i	
skruvens växellåda .....	24
18. Kontroller före varje	
användning .....	25

**(FR)**

## Matières:

1. Dépaqueter .....	4
2. Contrôle de la pression	
des pneus .....	4
3. Emménagent Amas de Neige	
Coupeur .....	5
4. Emménagent Chute .....	5
5. Emménagent Guidon .....	6
6. Connecter Rotateur de Bec .....	7
7. Leviers De Poignée De Tube .....	7
8. raccordements electrical .....	7
9. Galoper Select Connexion .....	8
10. Pas de Vis Traquer Connexion .....	9
10. Grippe Traquer Connexion .....	9
11. Réglage du sélecteur de vitesse .....	10
12. Tension de la commande	
de fraise .....	10
13. Tension de la commande	
de traction .....	11
14. Connecter Glissière Contrôle .....	22
15. Connecter Easy Turn .....	22
16. Réglage du câble Easy Turn .....	23
17. Niveau d'huile de la boîte	
d'engrenages de la fraise .....	24
18. Contrôles avant chaque	
démarrage .....	25

**(IT)**

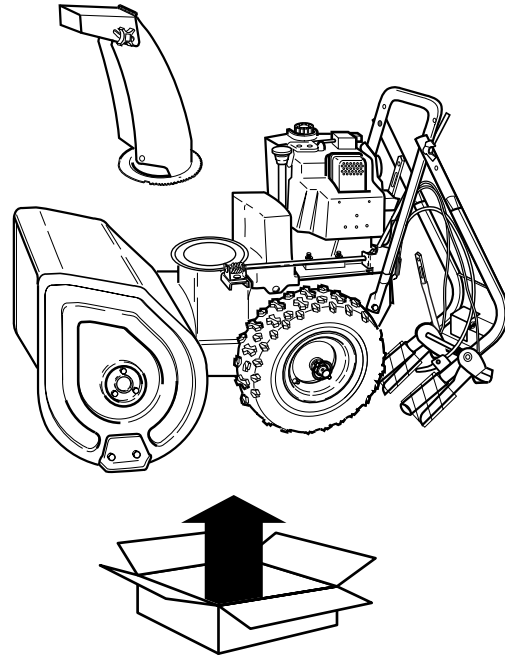
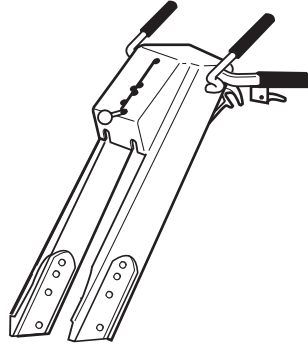
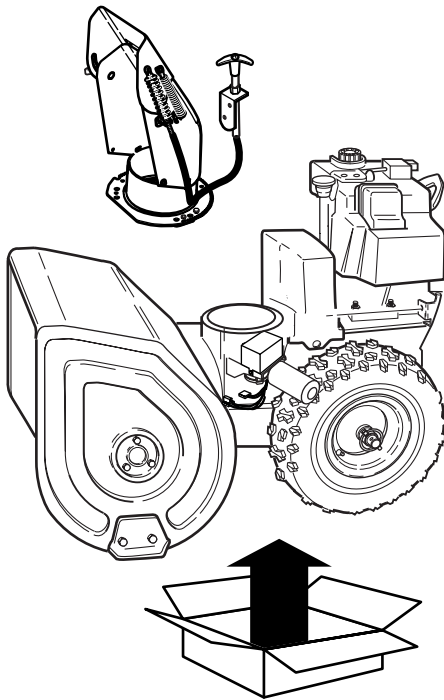
## Indice:

1. Deimpaccare .....	4
2. Controllo della pressione degli	
pneumatici .....	4
3. Mettere Catasta Tagliato .....	5
4. Mettere Solco .....	5
5. Mettere Manici .....	6
6. Copulare Tubo Rotare .....	7
7. Leve Della Maniglia Del Tubo .....	7
8. Collegamenti Elettrici .....	7
7. Velocità Eletta Congiuntura .....	8
10. Trapano Andara Congiuntura .....	9
10. Acchiappare Andara	
Congiuntura .....	9
11. Regolazione del cambio .....	10
12. Tensione della cinghia di trasmis-	
sione della coclea .....	10
13. Tensione della cinghia di trasmis-	
sione della trazione .....	11
14. Copulare Solco Controllo .....	22
15. Copulare Easy Turn .....	22
16. Regolazione del cavo	
Easy Turn .....	23
17. Controllo della lubrificazione della	
scatola ingranaggi della coclea .....	24
18. Controlli prima	
dell'avviamento .....	25

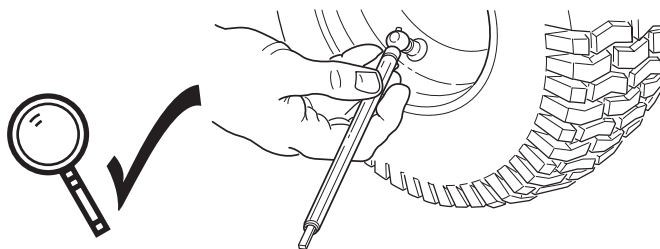
# Intermediate & Large Frame Snowthrowers



# 1



# 2



Pressure
20 psi (137 kPa)



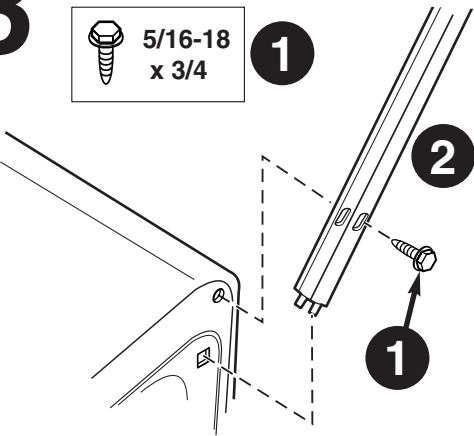
## 3

5/16-18  
x 3/4

1

2

1



1

5/16-18  
5/16  
5/16-18  
x 3/4

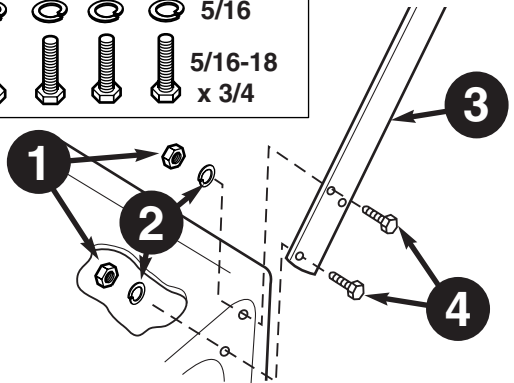
4

1

2

3

4

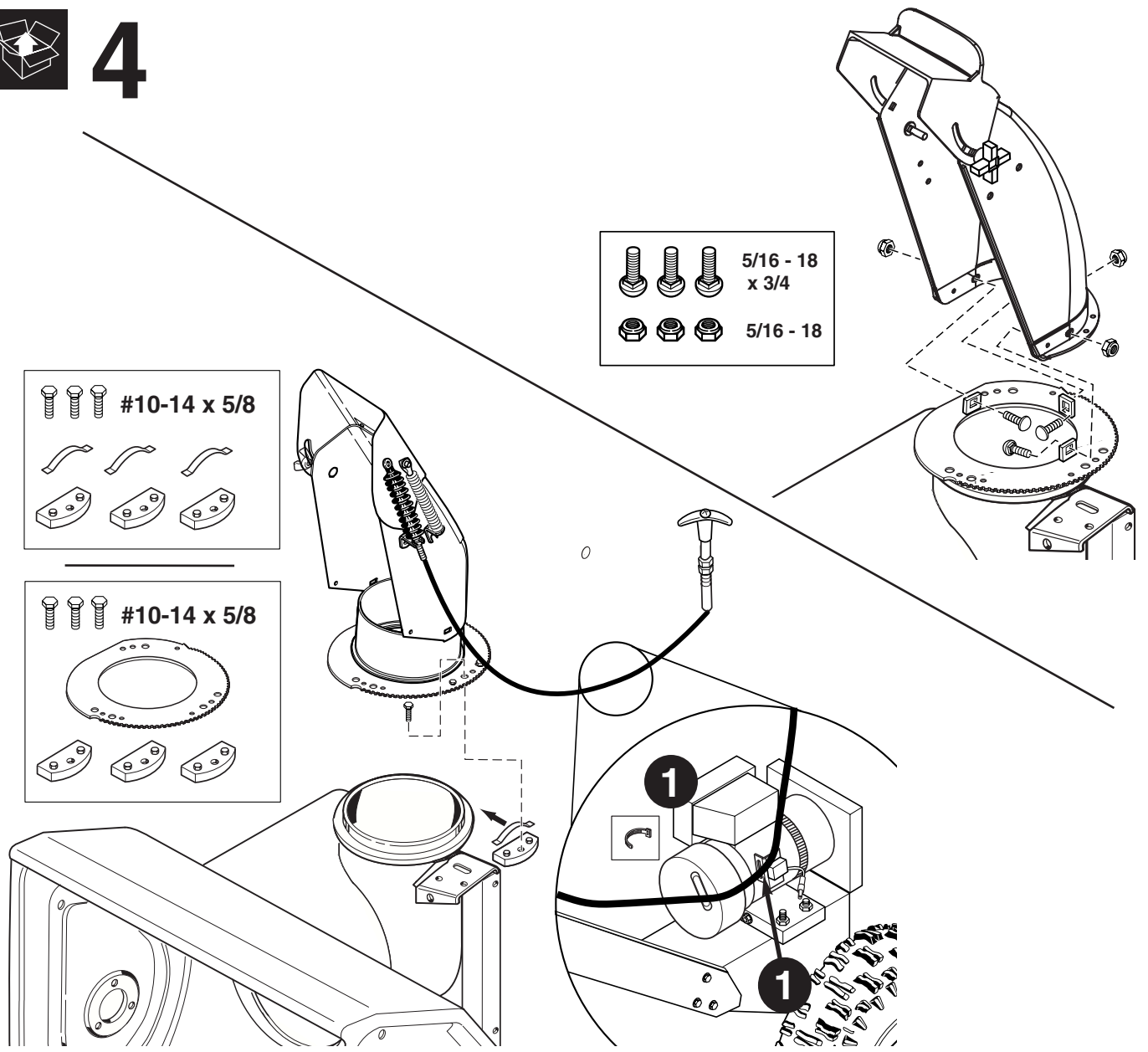


## 4

5/16 - 18  
x 3/4  
5/16 - 18

#10-14 x 5/8

#10-14 x 5/8

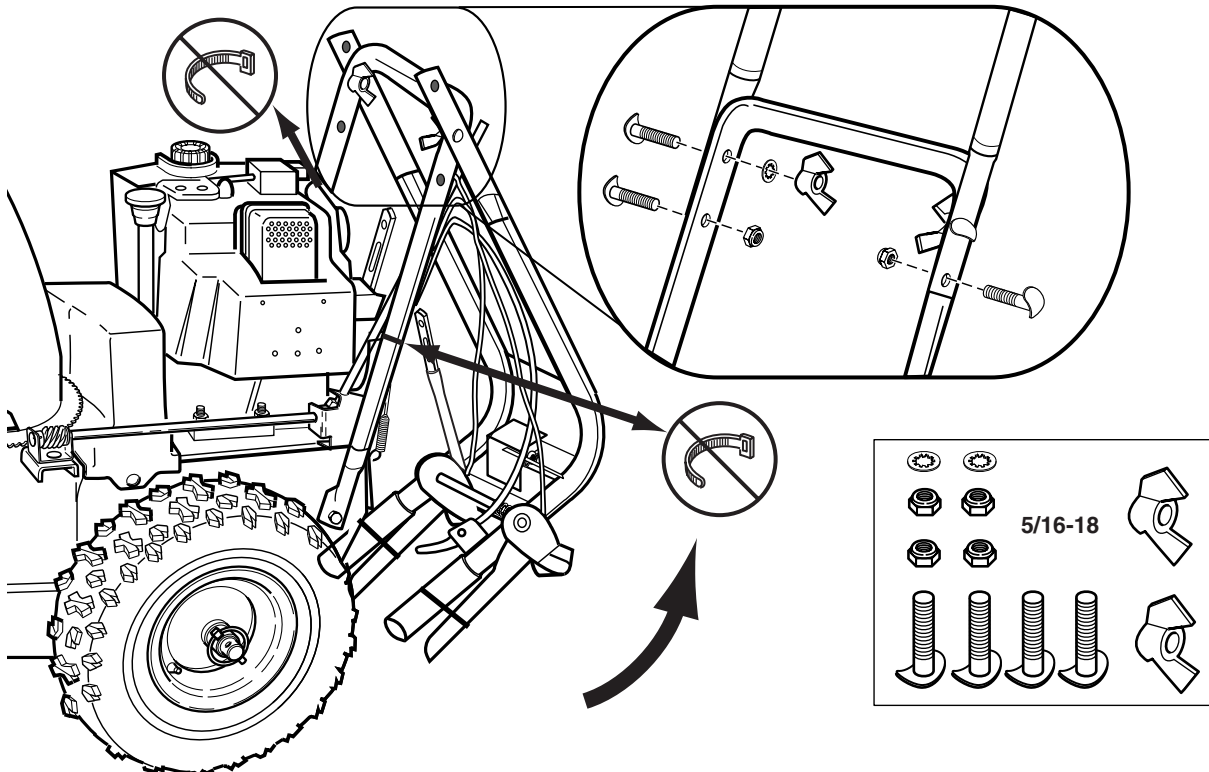
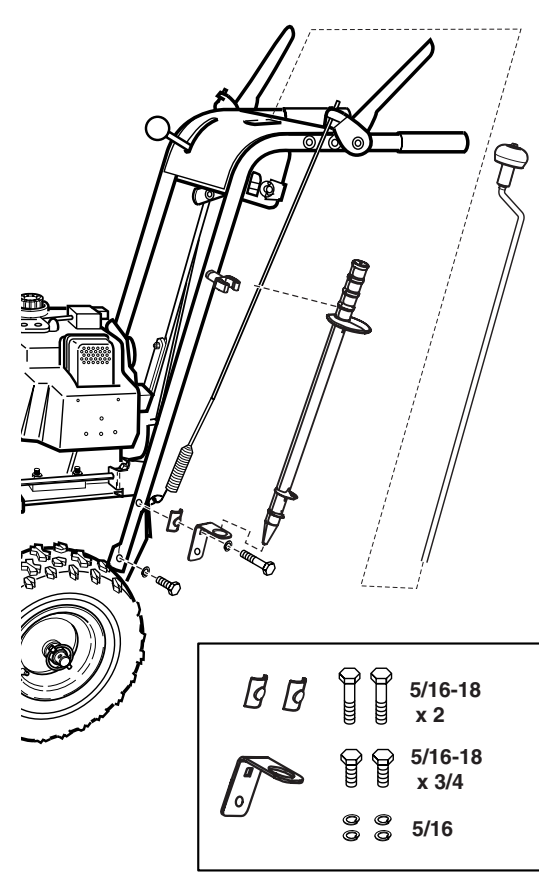
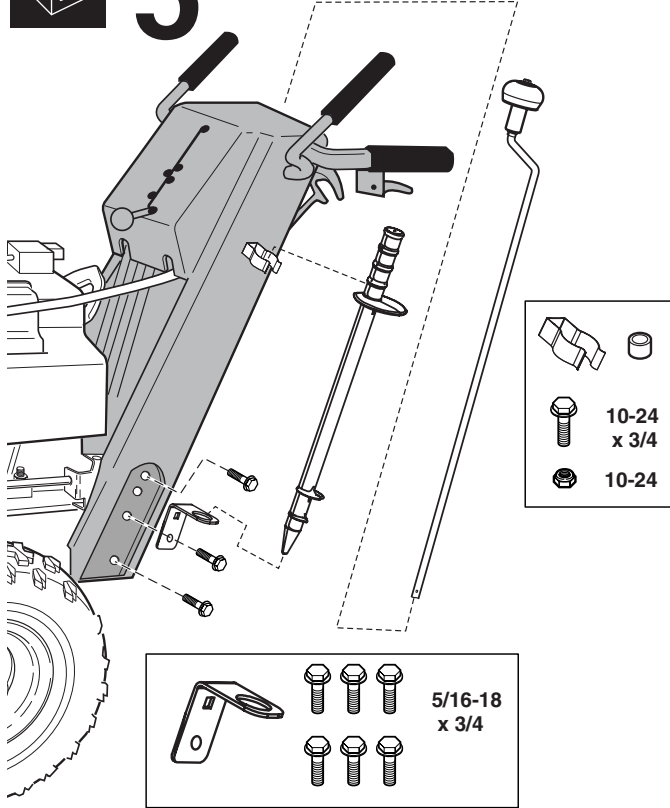




# Intermediate & Large Frame Snowthrowers

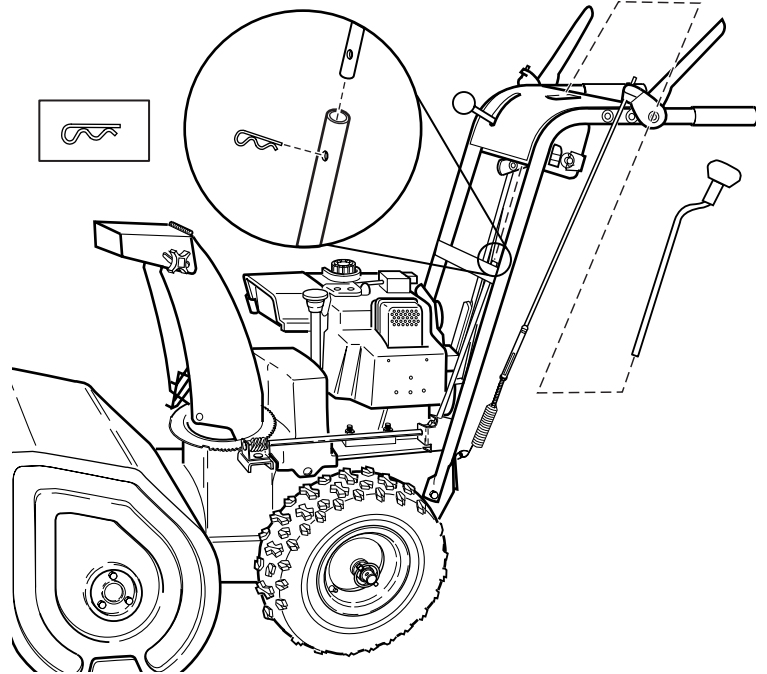
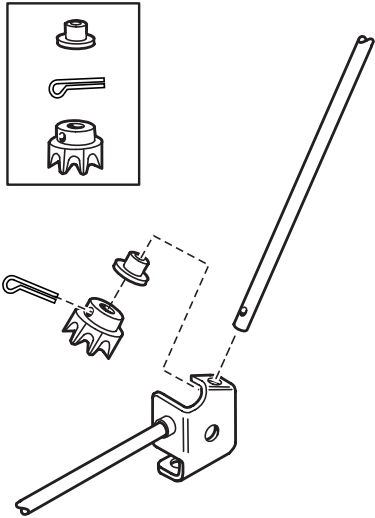


5

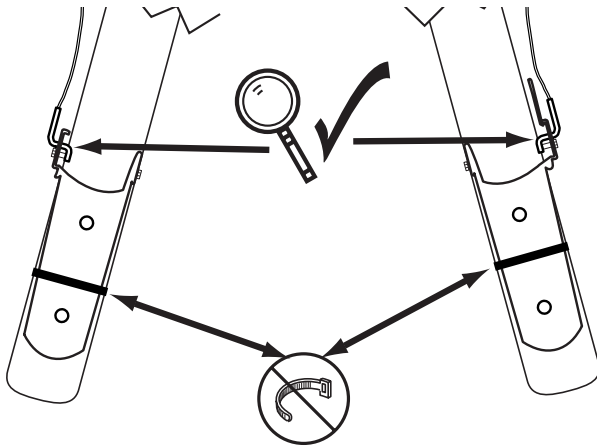




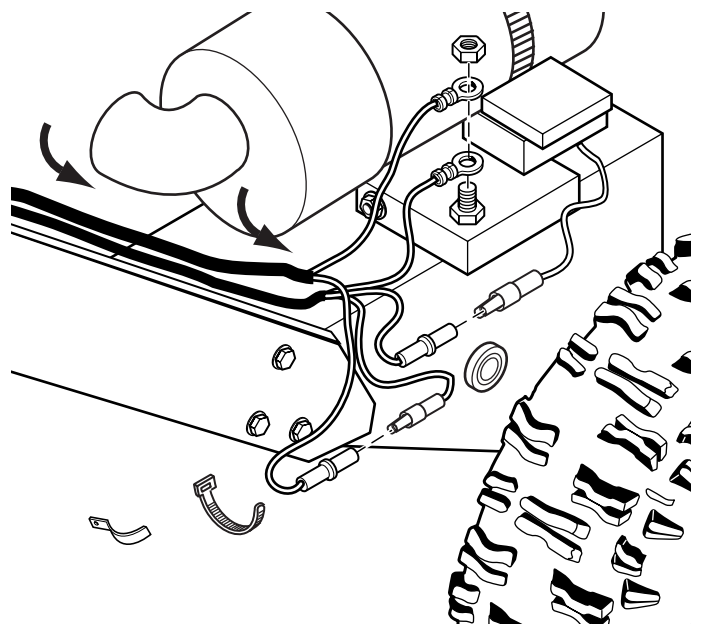
6



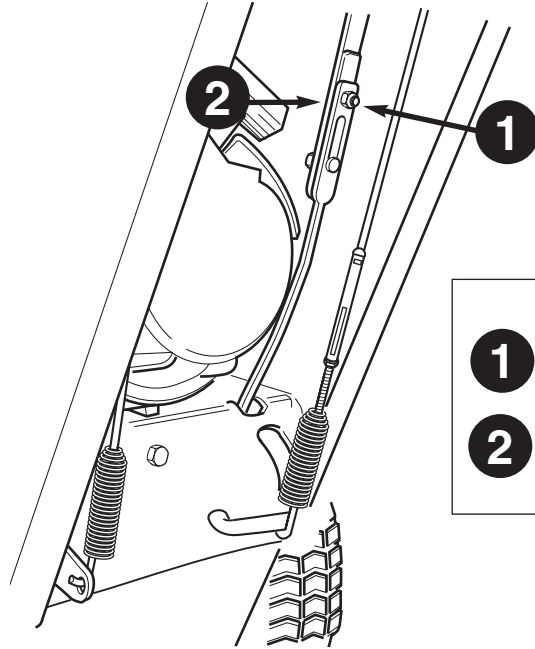
7

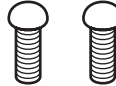



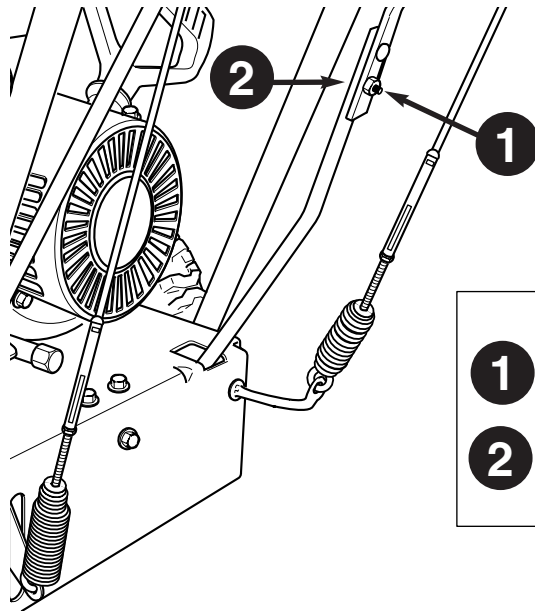
8

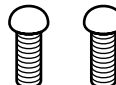



 9



<b>1</b>		1/4-20 x 3/4
<b>2</b>		1/4-20

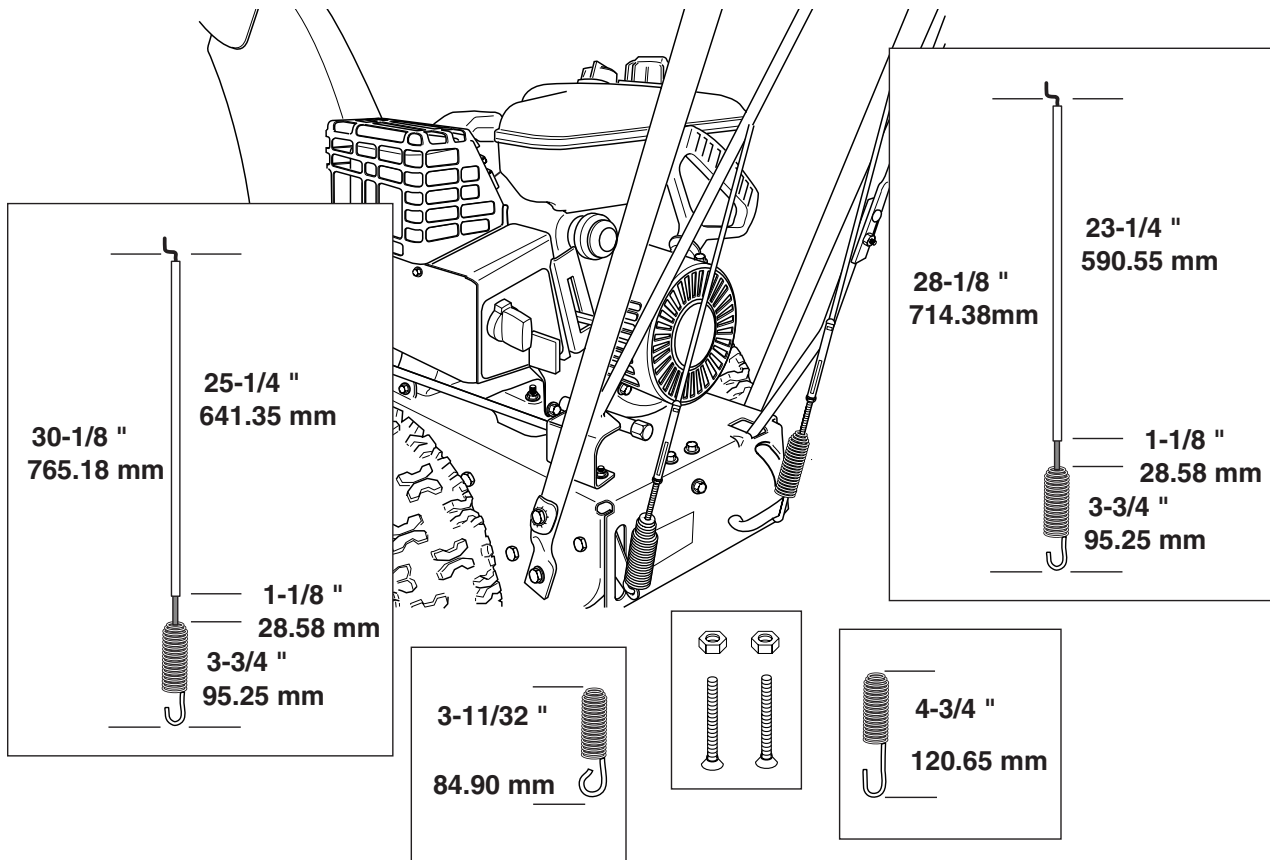


<b>1</b>		1/4-20 x 5/8
<b>2</b>		1/4-20





# 10





## 11 Speed Selector

### SPEED SELECTOR ADJUSTMENT

1. Loosen the two nuts (C, Figure 18).
2. Place the shift lever in 5th gear.
3. Push the lower rod (A) into the housing and tighten the two nuts (C). Do not lift up or down on rods while tightening. Make sure the shoulders of the carriage bolts (D) are in the slots.
4. Always check traction drive tension and auger drive tension after adjusting speed selector.

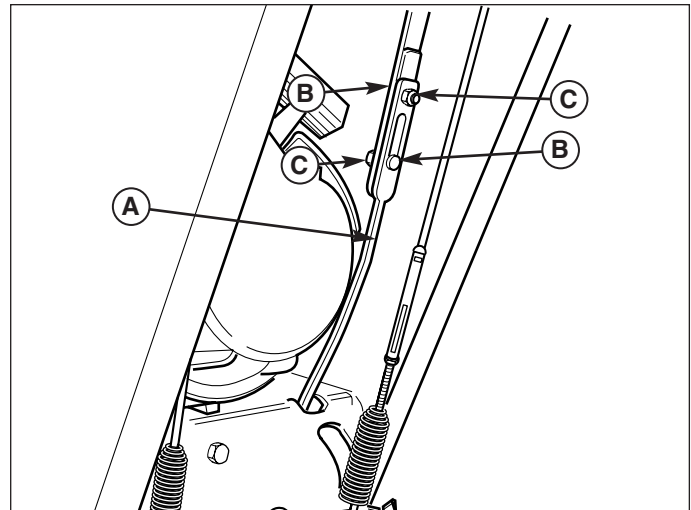


Figure 18. Speed Selector Linkages

- A. Shift Rod
- B. Carriage Bolts
- C. Nuts



## 12 Auger Drive

### AUGER DRIVE TENSION

1. With the drive lever released, the hook (B, Figure 19) should barely touch the lever (C) without raising it. There can be a maximum 1/32" clearance as shown.
2. To adjust, loosen nut (D, Figure 19) by holding the adjusting flats (A) and turning nut (D). Turn adjustment flats and hold screw. The adjustment screw is a phillips screw and the head can be held or turned by inserting a screwdriver through the spring.
3. Hold adjusting flats (A) and tighten nut (D).
4. Start unit and check auger. auger must not be engaged unless auger control is depressed.
5. With engine running, fully depress auger control, the auger should engage and run normally.
6. Release auger control. **Auger must stop within 5 seconds.**
7. If auger does not operate properly, stop engine and recheck drive linkage adjustments.
8. If drive linkage is properly adjusted, auger drive belt tension may require adjustment. See "Adjusting Auger Drive Belt".

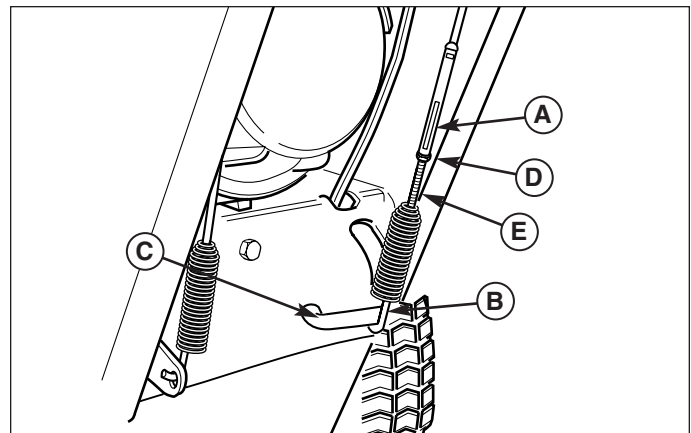


Figure 19. Auger Drive Adjustment

- A. Adjusting Flats
- B. Spring Hook
- C. Lever
- D. Nut
- E. Adjustment Screw



# 13 Traction Drive

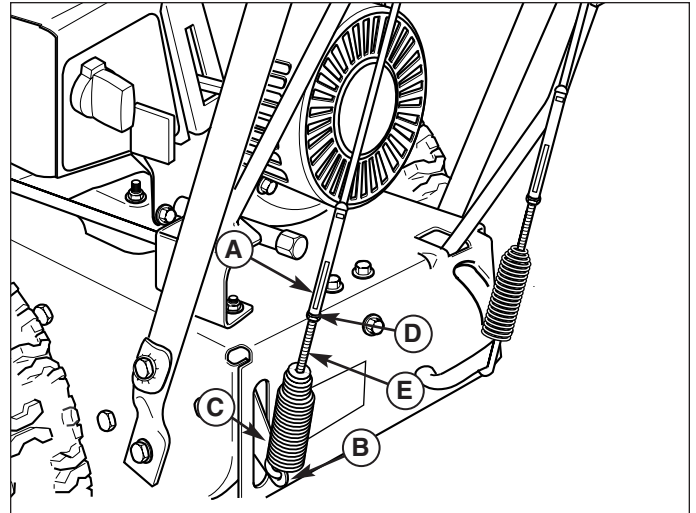
## TRACTION DRIVE TENSION

### Initial Adjustment

1. With the drive lever released there should be no slack in the cable when moved slightly from side to side, but bellcrank arm remains in fully down position.
1. To adjust tension on the cable loosen adjustment hex nut (D, Figure 20) by holding the adjusting flats (A). Turn the adjustment screw. The adjustment screw is a phillips screw and the head can be held or turned by inserting a screwdriver through the traction drive clutch cable spring.
3. Engage the drive lever to check the adjustment. When correct, tighten hex nut securely. The unit should be able to be pushed forward and back freely.

### Run-In Adjustment

1. After 5 hours of use, check for proper adjustment. Readjust clutch cable if necessary by increasing tension on cable. A small amount of bellcrank arm movement is permissible if unit passes operating checks described in the Caution below.



**Figure 20. Traction Drive Adjustment (Tube Handle Models)**

- A. Adjusting Flats**
- B. Spring Hook**
- C. Bellcrank Arm**
- D. Nut**
- E. Adjustment Screw**

## WARNING

Do not over-tighten, as this may cause traction drive to engage without depressing the traction drive control (bellcrank arm must remain in down position).

Verify that the cables are not over-tightened: With speed selector in position 1 and traction drive control fully released, push snowthrower forward. The unit should move forward freely.

If unit does not move forward freely, the cable has been over-tightened. To remedy, loosen tension on clutch cable slightly, and recheck.

DE

## EINSTELLUNG DES GANGWAHLSCHALTERS

1. Beide Muttern lösen (C, Abbildung 18).
2. Den Schalthebel in den 5. Gang bewegen.
3. Das untere Gestänge in das Gehäuse schieben und die beiden Muttern anziehen. Die Gestänge beim Anziehen nicht nach oben oder unten bewegen. Sicherstellen, dass die Bündel der Schlossschrauben (D) sich in den Schlitzen befinden.
4. Nach jeder Einstellung des Gangwahlschalters stets die Spannung des Schnecken- und Fahrtriebs prüfen.

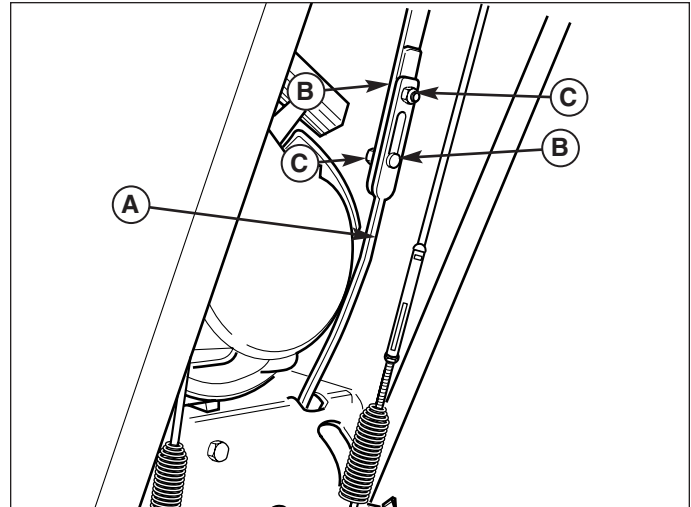


Abbildung 18. Gangwahl- und Schneckenantriebsgestänge

- A. Unteres Gestänge
- B. Schlossschrauben
- C. Muttern

## SPANNUNG DES SCHNECKENANTRIEBS

1. Bei freigegebenem Antriebshebel muss der Haken (B, Abbildung 19) den Hebel (C) leicht berühren, ohne ihn anzuheben. Das maximale Spiel beträgt 0,8 mm (1/32 in.) (siehe Abbildung).
2. Zum Einstellen die Mutter (D, Abbildung 19) durch Fixieren der Abflachungen (A) und Drehen der Mutter (D) lockern. Die Abflachungen drehen und die Schraube fixieren. Die Stellschraube ist eine Kreuzschlitzschraube. Der Schraubenkopf kann durch Einführen eines Schraubendrehers durch die Feder fixiert bzw. gedreht werden.
3. Die Abflachungen (A) fixieren und die Mutter (D) festziehen.
4. Den Motor starten und den Schneckenförderer prüfen. Der Schneckenförderer darf nur eingekuppelt sein, wenn der Schneckenfördererhebel gedrückt ist.
5. Den Schneckenfördererhebel bei laufendem Motor vollständig nach unten drücken. Der Schneckenförderer muss eingekuppelt werden und sich drehen.
6. Den Schneckenfördererhebel freigeben. Der Schneckenförderer muss innerhalb von 5 Sekunden zum Stillstand kommen.
7. Wenn der Schneckenförderer nicht ordnungsgemäß funktioniert, den Motor abstellen und die Einstellung des Antriebsgestänges überprüfen.
8. Wenn das Antriebsgestänge ordnungsgemäß eingestellt ist, muss ggf. die Spannung des Schneckenantriebsriemens eingestellt werden. Siehe „Einstellung des Schneckenantriebsriemens“.

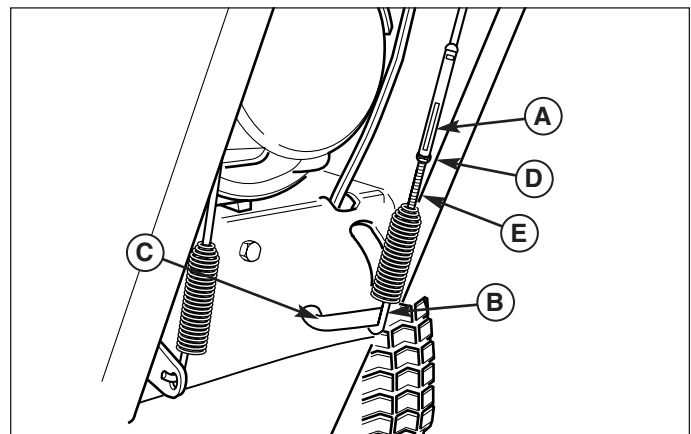
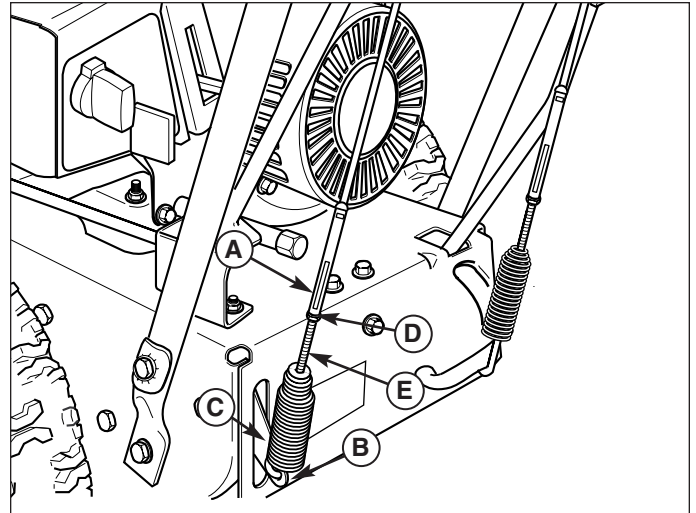


Abbildung 19. Auger Drive Adjustment A. Abflachungen der Mutter

- B. Federhaken
- C. Hebel
- D. Mutter
- E. Stellschraube

## SPANNUNG DES FAHRANTRIEBS

1. Bei freigegebenen Antriebshebel darf kein Durchhang im Seilzug vorhanden sein, wenn der Seilzug leicht von Seite zu Seite bewegt wird und der Winkelhebelarm in der untersten Position verbleibt.
2. Zum Einstellen der Seilzugspannung die Sechskant-Stellmutter (D, Abbildung 20) durch Fixieren der Abflachungen der Mutter (A) lockern. Die Stellschraube drehen. Die Stellschraube ist eine Kreuzschlitzschraube. Der Schraubenkopf kann durch Einführen eines Schraubendrehers durch die Feder des Fahrtriebskupplungs-Seilzugs fixiert bzw. gedreht werden.
3. Den Antriebshebel drücken, um die Einstellung zu prüfen. Wenn die Spannung richtig eingestellt ist, die Sechskantmutter fest anziehen. Die Schneefräse muss sich ungehindert vorwärts und rückwärts bewegen lassen.



**Figure 20. Einstellung des Fahrtriebs**

- A. Abflachungen der Mutter**
- B. Federhaken**
- C. Winkelhebelarm**
- D. Mutter**
- E. Stellschraube**

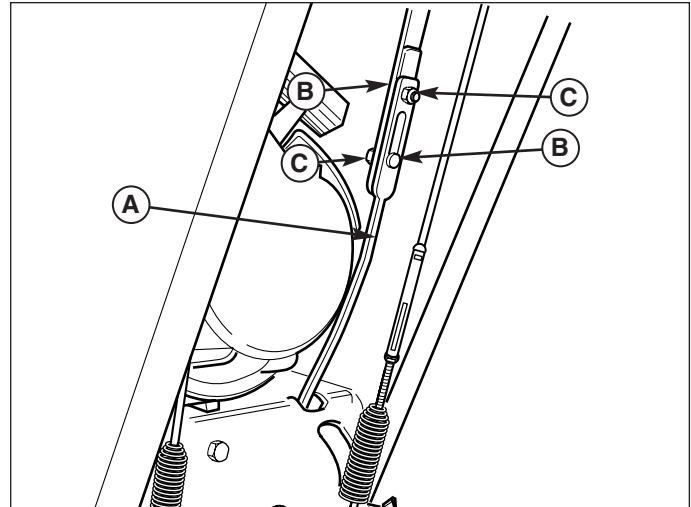
(NO)

## JUSTERING AV HASTIGHETSVELGEREN

1. De to mutrene løsnes (C, figur 18).
2. Plasser girspaken i 5. gir.
3. Skyv den nederste stangen inn i kassen, og stram de to mutrene. Løft ikke stengene opp eller ned under stramming. Påse at skuldrene på låseboltene (D) står i sporene.
4. Kontroller alltid strammingen av friksjonsdrivet og skovlelivet etter at du har justert hastighetsvelgeren.

## STRAMMING AV SKOVLEDRIVET

1. Når betjeningsspaken slippes, skal kroken (B, figur 19) bare såvidt berøre spaken (C) uten at den løfter den. Det kan, som vist, ikke være mer enn 1/32" klaring.
2. For å justere, løsne mutteren (D, figur 19) ved å holde på justeringsflatene (A) og vri på mutteren (D). Vri på justeringsflatene og hold skruen. Justeringsskruen er en stjerneskrue og hodet kan holdes eller vris ved å sette inn en skrutrekker gjennom fjæren.
3. Hold på justeringsflatene (A) og stram mutteren (D).
4. Start enheten og kontroller innmatingskruen. Innmatingskruen må ikke være koplet til med mindre betjeningen av innmatingskruen er trykt ned.
5. Når motoren går, trykkes innmatingskruebetjeningen helt ned og innmatingskruen skal koples seg til og gå normalt.
6. Utløsning av innmatingskruebetjeningen. Innmatingskruen må stoppe innen 5 sekunder.
7. Stopp motoren og kontroller drivkjedejusteringene én gang til hvis innmatingskruen ikke fungerer som den skal.
8. Hvis drivkjeden er justert riktig, kan det være at strammingen av drivbeltet på innmatingskruen trenger justering. Se "Justering av drivbeltet på innmatingskruen".



Figur 18. Leddkoplinger for hastighetsvelgeren og skovlelivet

- A. Nedre stang
- B. Låsebolter
- C. Mutre

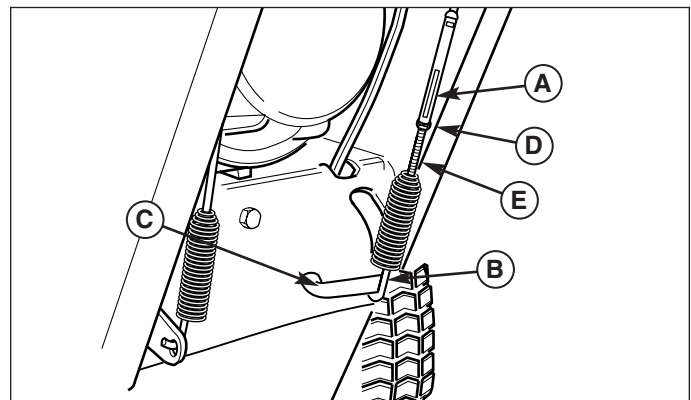


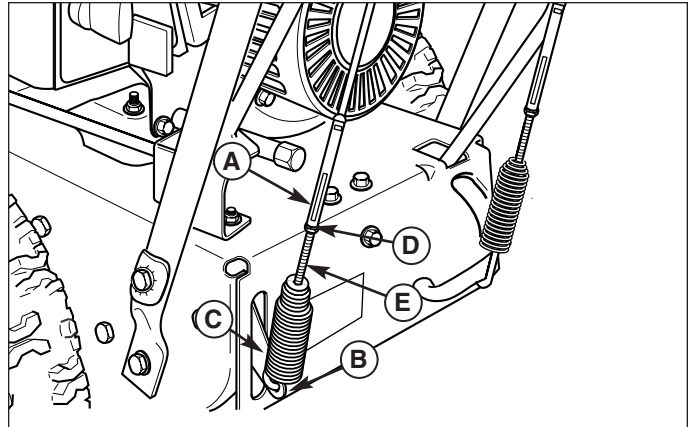
Figure 19. Stramming av skovlelivet

- A. Justeringsflater
- B. Karabinkrok
- C. Spaken
- D. Mutter
- E. Justeringsskrue



## STRAMMING AV FRIKSJONSDRIVET

1. Når betjeningsspaken er løst ut skal det ikke være noe slakk i kabelen når den beveges forsiktig fra side til side, men knearmen blir værende i en stilling helt nede.
2. For å justere strammingen av kabelen, løsens justeringssekskantmutteren (D, figur 21) ved å holde på justeringsflatene (A). Vri på justeringsskruen. Justeringsskruen er en stjerneskrue og hodet kan holdes eller vris ved å sette i en skrutrekker gjennom kabel fjæren på trekraftclutchen.
3. Kople til betjeningsspaken for å kontrollere justeringen. Når den er riktig, strammes sekskantmutteren godt. Det skal være mulig å skyve enheten frem og tilbake uten problemer.



**Figure 21. Stramming av friksjonsdrivet**

**A. Justeringsflater**

**D. Mutter**

**B. Karabinkrok**

**E. Justeringsskrue**

**C. Spaken**

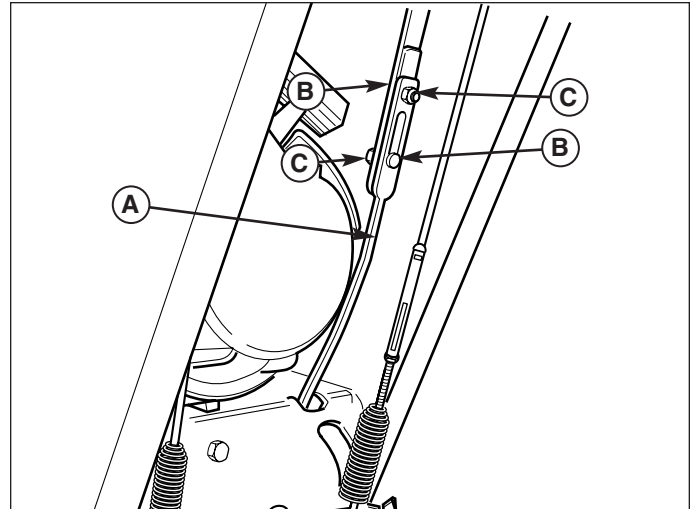
SE

## JUSTERING AV HASTIGHETSVÄLJAREN

1. Lossa de två muttrarna (C, figur 18).
2. Lägg i den 5:e växeln.
3. Skjut in den undre stängen i kåpan och spänn åt de två muttrarna. Flytta inte stängerna uppåt eller nedåt medan du spänner åt. Kontrollera att rundskruvarnas ansatser (D) sitter i spåren.
4. Kontrollera alltid remspänningen för hjuldrivningen och redskapets drivning efter att hastighetsväljaren justerats.

## SKRUVENS REMSPÄNNING

1. När drivarmen är släppt ska kroken (B, figur 19) nått och jämnt vidröra armen (C) utan att denna lyfts upp. Maximalt kan ett avstånd på 0,8 mm finnas som visas.
2. Justera genom att lossa på mutter (D, figur 19) och hålla fast justeringsflatorna (A) och vrida muttern (D). Vrid på justeringsflatorna och håll skruven. Justeringsskruven är en kryssskruv och huvudet kan hållas fast eller vridas genom att föra in en skruvmejsel genom fjädern.
3. Håll fast justeringsflatorna (A) och dra åt muttern (D).
4. Starta enheten och kontrollera skruven. Skruven får inte kopplas i om inte skruvens reglage är nedtryckt.
5. Tryck ned skruvens reglage helt medan motorn kör. Skruven bör koppla ur och köra normalt.
6. Släpp upp skruvens reglage. Skruven måste stanna inom 5 sekunder.
7. Om skruven inte fungerar riktigt, stanna motorn och kontrollera drivlänkens justeringar igen.
8. Om drivlänken är riktigt justerad, kanske skruvens drivremsspänning behöver justeras. Se "Justera skruvens drivrem".



Figur 18. Hastighetsväljare och länksystemet för skruvens drivmekanism

- A. Undre stång
- B. Rundskruvar
- C. Muttrar

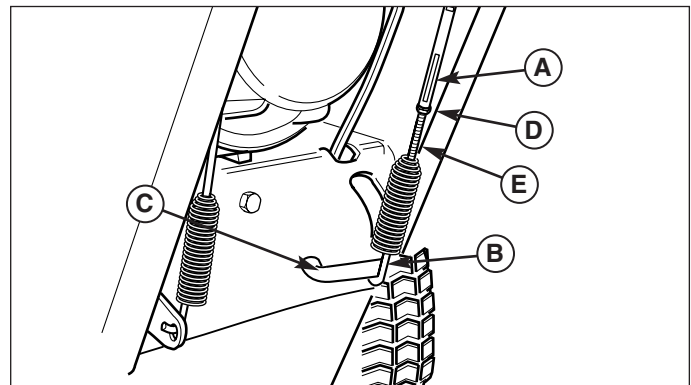
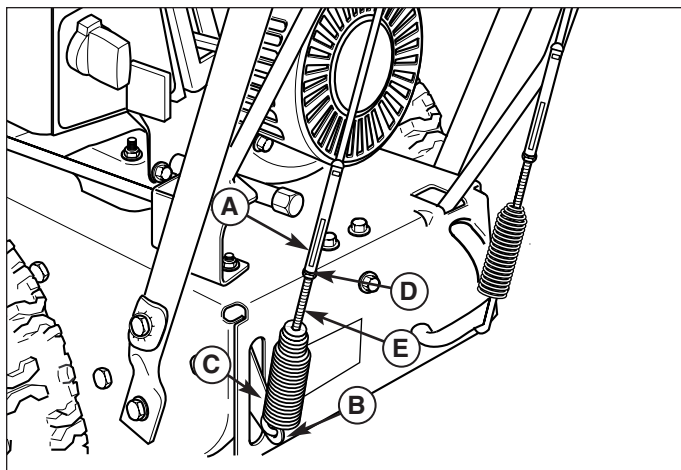


Figure 19. Skruvens remspänning

- A. Justeringsflator
- B. Fjäderhake
- C. Hävstång
- D. Mutter
- E. Justeringsskruv

### HJULDRIVNINGENS REMSPÄNNING

1. Med drivarmen släppt ska kabeln vara spänd när den flyttas något från sida till sida, men vinkelhävarmen fortsätter att vara i helt nedläge.
2. När du vill justera kabelns spänning ska du lossa på justeringssexkanstmuttern (D, figur 20) genom att hålla fast justeringsflatorna (A). Vrid på justeringsflatorna. Justeringskruven är en kryssskruv och huvudet kan hållas fast eller vridas genom att föra in en skruvmejsel genom kabelfjäders för hjuldrivningens koppling.
3. Kontrollera justeringen genom att koppla in drivarmen. När den är rätt ska du dra åt sexkanstmuttern ordentligt. Det ska gå lätt att skjuta enheten framåt och tillbaka.



**Figure 20. Traction Drive Adjustment**

**A. Justeringsflator**

**D. Mutter**

**B. Fjäderhake**

**E. Justeringskruv**

**C. Vinkelhävarm**

(FR)

## RÉGLAGE DU SÉLECTEUR DE VITESSE

1. Desserrer les deux écrous (C, Figure 18).
2. Placer le levier en 5ème vitesse.
3. Pousser la tringle inférieure dans logement et serrer les deux écrous. Ne pas tirer ou pousser sur les tringles pendant le serrage. Vérifier que les épaulements des boulons (D) sont dans les trous oblongs.
4. Après avoir réglé le sélecteur de vitesse, toujours vérifier la tension de la commande de traction et de la commande de fraise.

## TENSION DE LA COMMANDE DE FRAISE

1. Lorsque le levier de commande est relâché, le crochet (B, Figure 19) doit à peine toucher le levier (C) sans le soulever. Il peut y avoir un jeu de 0,8 mm maximum.
2. Pour régler, desserrer l'écrou (D, Figure 19) en tenant les méplats de réglage (A) et en tournant l'écrou (D). Tourner les méplats et tenir la vis. La vis de réglage est une vis Phillips dont la tête peut être immobilisée ou tournée en introduisant un tournevis à travers le ressort.
3. Tenir les méplats de réglage (A) et serrer l'écrou (D).
4. Démarrer la machine et contrôler la fraise. La fraise ne doit pas être engagée si la commande de fraise n'est pas enfoncée.
5. Moteur en marche, enfoncer à fond la commande de fraise, la fraise doit embrayer et fonctionner normalement.
6. Relâcher la commande de fraise. La fraise doit s'arrêter dans les 5 secondes.
7. Si la fraise ne fonctionne pas correctement, arrêter le moteur et revérifier les réglages de la timonerie d'entraînement.
8. Si la timonerie est correctement réglée, il est possible que la tension de la courroie d'entraînement de la fraise doive être ajustée. Voir « Régler la courroie d'entraînement de la fraise ».

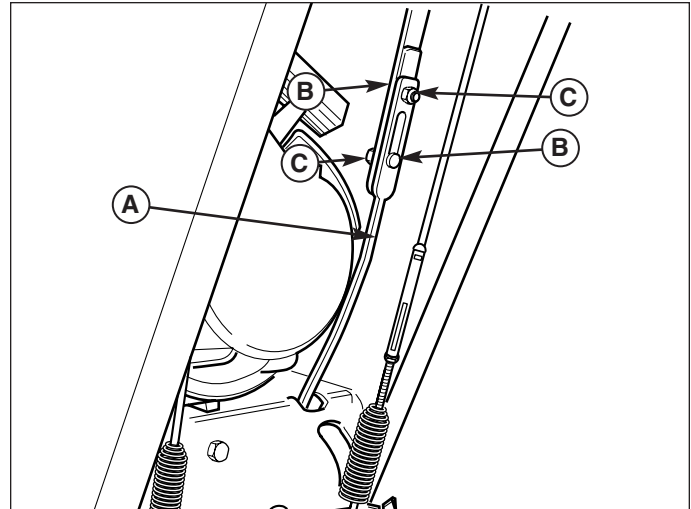


Figure 18. Timonerie du sélecteur de vitesse et de l'entraînement de la fraise

- A. Tringle inférieure
- B. Boulons mécaniques
- C. Écrous

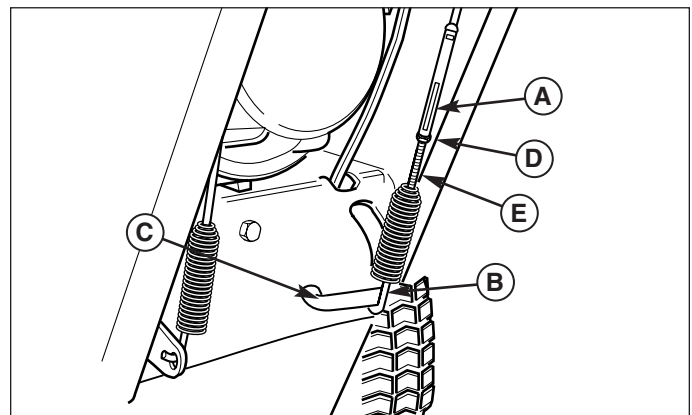
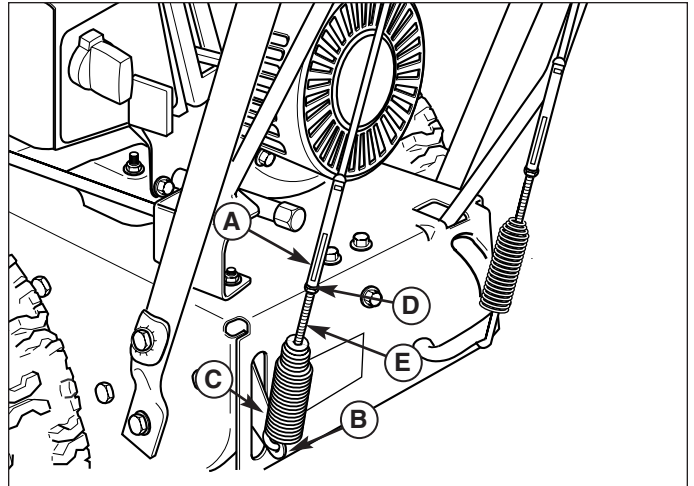


Figure 19. Tension de la commande de fraise

- A. Méplats de réglage
- B. Crochet à ressort
- C. Levier
- D. Écrou
- E. Vis de réglage

## TENSION DE LA COMMANDE DE TRACTION

1. Lorsque le levier est lâché, il ne doit y avoir aucun mou dans le câble lorsqu'il est poussé légèrement d'un côté à l'autre, mais que le bras de renvoi reste en position basse.
2. Pour régler la tension du câble, desserrer l'écrou de réglage (D, Figure 20) en tenant les méplats de réglage (A). Tourner la vis de réglage (E). La vis de réglage est une vis Phillips dont la tête peut être immobilisée ou tournée en introduisant un tournevis à travers le ressort du câble d'embrayage de traction.
3. Engager le levier de commande pour vérifier le réglage. S'il est correct, bien resserrer l'écrou hexagonal. La machine doit pouvoir être poussée librement vers l'avant et l'arrière.



**Figure 20. Réglage de la commande de traction**  
A. Méplats de réglage                      D. Écrou  
B. Crochet à ressort                        E. Vis de réglage  
C. Bras de renvoi

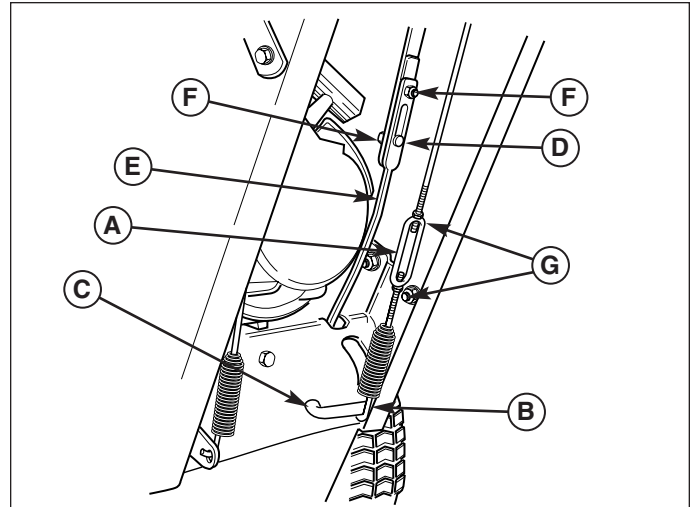
IT

## REGOLAZIONE DEL CAMBIO

1. Allentare i due dadi (C, Figura 18).
2. Portare la leva del cambio in quinta.
3. Spingere l'asta inferiore nell'alloggiamento e serrare i due dadi. Non sollevare o abbassare le aste nel corso del serraggio. Controllare che gli spallamenti dei dadi a testa tonda (D) siano inseriti nelle scanalature.
4. Una volta regolato il cambio, controllare sempre la tensione del comando della trazione e la tensione del comando della coclea.

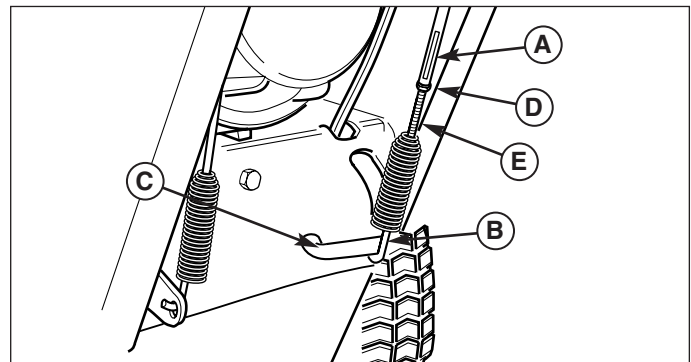
## TENSIONE COMANDO COCLEA

1. Con la leva sganciata, il gancio (B, figura 19) dovrà toccare appena la leva (C) senza alzarla. Può esserci una distanza massima di 0,8 mm (1/32 di pollice).
2. Per regolare, allentare il dado (D, figura 19) facendo presa sui lati piani di regolazione (A) e ruotando il dado. Ruotare i lati piani di regolazione e tenere ferma la vite. La vite di regolazione è con taglio a croce e la sua testa può essere presa o ruotata inserendo un cacciavite attraverso la molla.
3. Tenere i lati piani di regolazione (A) e stringere il dado (D).
4. Avviare l'unità e controllare la coclea. La coclea deve essere inserita a meno che il comando della coclea non sia stato premuto.
5. Con il motore in marcia e il comando della coclea premuto del tutto, la coclea dovrà essere ingranata e funzionare regolarmente.
6. Disinserire il comando della coclea. La coclea deve fermarsi entro 5 secondi.
7. Se la coclea non funziona in modo corretto, arrestare il motore e controllare di nuovo la regolazione del beverage della trasmissione.
8. Se il beverage della trasmissione è regolato correttamente, potrà essere necessario regolare la tensione della cinghia della trasmissione della coclea. Vedere "Regolazione della cinghia della trasmissione della coclea".



**Figura 18. Tiranteria del cambio e del comando della coclea**

- A. Asta inferiore
- B. Bullone a testa tonda
- C. Dadi



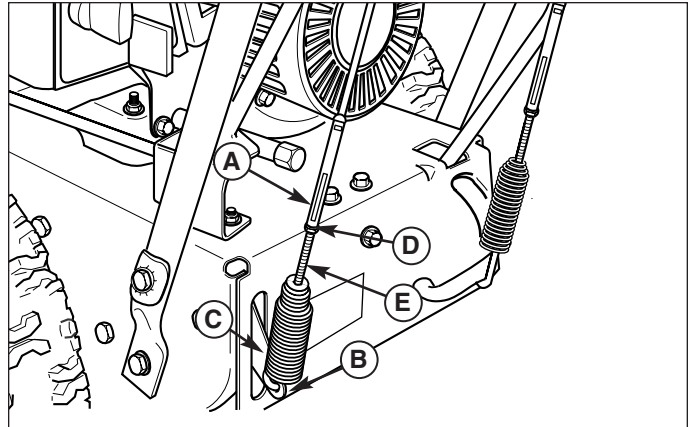
**Figure 19. Tensione comando coclea**

- A. Lati piani di regolazione
- B. Gancio della molla
- C. Leva
- D. Dado di regolazione
- E. Vite di regolazione



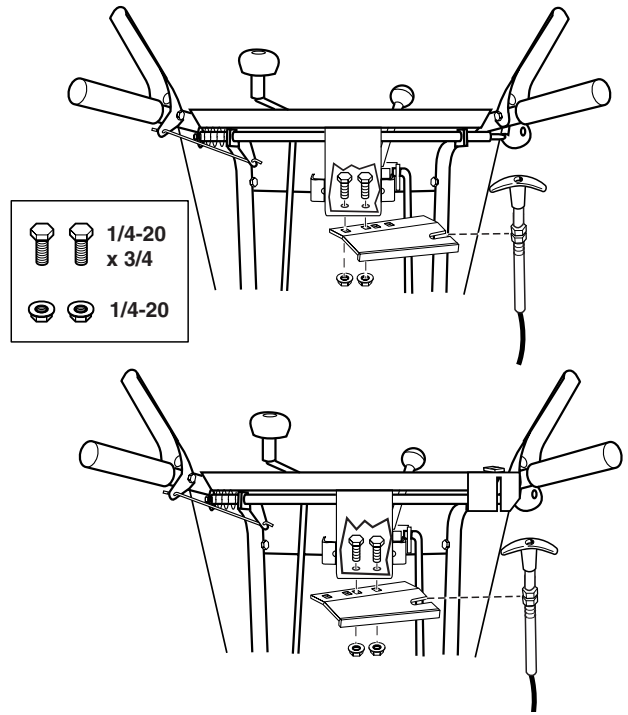
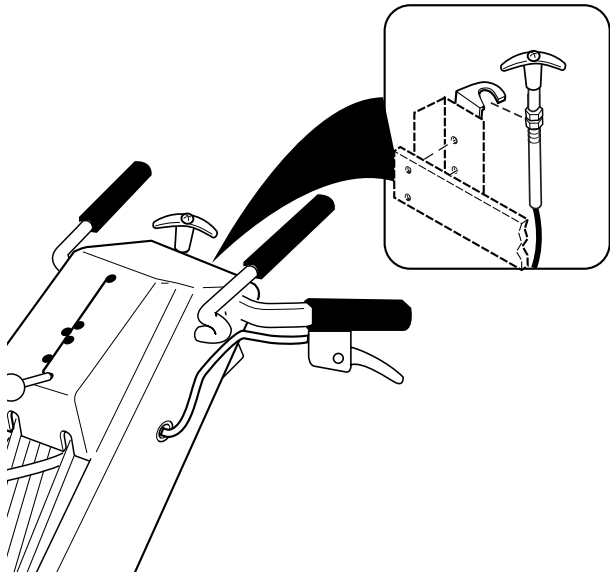
## TENSIONE DEL COMANDO DELLA TRAZIONE

1. Con la leva della trasmissione sganciata non ci dovrà essere lasco nel cavo, quando lo si muove leggermente da lato a lato, ma la leva a squadra rimane nella sua posizione più bassa.
2. Per regolare la tensione del cavo, allentare i dadi esagonali di regolazione (D, figura 21) facendo presa sui lati piani di regolazione (A). Ruotare la vite di regolazione. 2. La vite di regolazione è con taglio a croce e la sua testa può essere presa o ruotata inserendo un cacciavite attraverso la molla del cavo della frizione della trasmissione della trazione.
3. Ingranare la leva della trasmissione per controllare la regolazione. Quando si sia ottenuta la tensione corretta, serrare il dado esagonale in modo sicuro. Si deve poter spingere liberamente l'unità avanti e indietro.

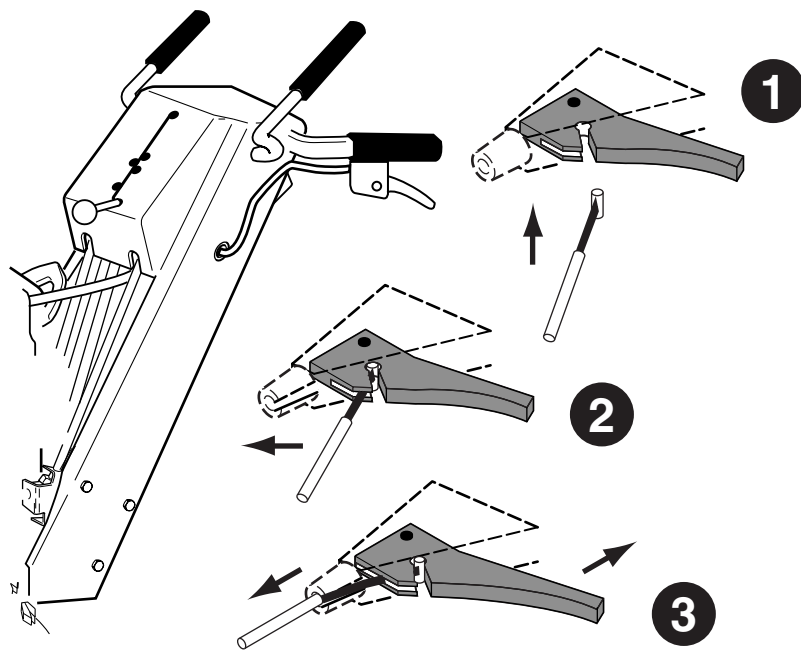


**Figure 20. tensione del comando della trazione**  
**A. Lati piani di regolazione D. Dadot**  
**B. Gancio della molla E. Vite di regolazione**  
**C. Leva a squadra**

 **14**



 **15**





# 16

## Easy Turn™ Cable Adjustment

If the Easy Turn™ cable has stretched, the gears will not disengage when the control lever is activated. Adjust the cable using the following procedure.

1. Turn the engine off and disconnect the spark plug wire.
2. Loosen the jam nut (B, Figure 21).
3. Turn the adjustment nut (A) to lengthen or shorten the cable. The cable should be tightened just until all slack is removed from the lever, however it must not engage the Easy Turn™ release without depressing the control lever.
4. Tighten the jam nut.

(DE)

### EINSTELLUNG DES EASY TURN(TM)-SEILZUGS

Wenn sich der Easy Turn(tm)-Seilzug gedehnt hat, werden die Zahnräder bei Betätigung des Bedienhebels evtl. nicht ausgekuppelt. Den Seilzug wie folgt einstellen:

1. Motor abstellen und Zündkabel abklemmen.
2. Die Gegenmutter lösen (B, Abbildung 21).
3. Die Stellmutter (A) drehen, um den Seilzug zu verlängern oder zu verkürzen. Der Seilzug sollte so gespannt werden, dass der Hebel kein Spiel mehr aufweist. Dabei muss jedoch darauf geachtet werden, dass die Easy Turn(tm)-Freigabe nur beim Drücken des Bedienhebels betätigt wird.
4. Die Gegenmutter anziehen.

(NO)

### JUSTERING AV EASY TURN™ KABELN

Hvis Easy Turn™ kablen er forstrukket, blir ikke tannhjulene utkoppet når du aktiverer kontrollspaken. Juster kablen på følgende måte.

1. Slå av motoren og frakople tennpluggledningen.
2. Løsne sperremutteren (B, figur 21).
3. Vri justeringsmutteren (A) for å forkorte eller forlenge kablen. Kablen skal strammes slik at det ikke er slak i spaken, men kablen skal derimot ikke innkople Easy Turn™ funksjonen uten at kontrollspaken blir trykket inn.
4. Stram sperremutteren

(SE)

### JUSTERING AV EASY TURN™-KABELN

Om Easy Turn™-kabeln tänjts ut kommer dreven inte att kopplas ur när reglaget används. Justera kabeln enligt följande:

1. Stäng av motorn och ta bort tändstiftskabeln.
2. Lossa låsmuttern (B, figur 21).
3. Vrid justeringsmuttern (A) för att förlänga eller förkorta kabeln. Kabeln bör endast spännas tills allt spel i reglaget försvinner. Dock ska Easy Turn™-mekanismen inte kunna kopplas ur utan att reglaget trycks in.
4. Spänn åt låsmuttern.

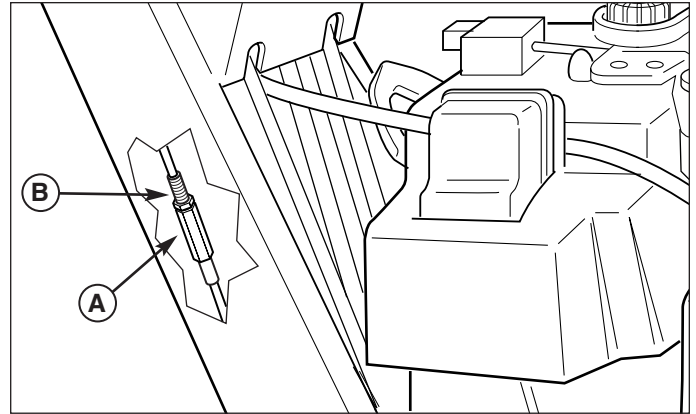


Figure 21. Cable Adjustment

(FR)

### RÉGLAGE DU CÂBLE EASY TURN(TM)

Si le câble Easy Turn(tm) est détendu, les pignons ne se débrayent pas lorsque le levier de commande est actionné. Le câble se règle de la manière suivante.

1. Couper le moteur et débrancher le câble de bougie.
2. Desserrer le contre-écrou (B, Figure 21).
3. Tourner l'écrou de réglage (A) de manière à allonger ou raccourcir le câble. Le câble doit être juste assez tendu pour éliminer tout jeu au niveau du levier, mais sans pour autant engager le mécanisme Easy Turn(tm) lorsque le levier de commande est au repos.
4. Serrer le contre-écrou.

(IT)

### REGOLAZIONE DEL CAVO EASY TURN(TM)

Se il cavo Easy Turn(tm) si è allentato, gli ingranaggi non si disinseriranno all'attivazione della leva di comando. Regolare il cavo, seguendo la procedura seguente.

1. Spegner il motore e scollegare il filo della candela.
2. Allentare il controdado (B, Figura 21).
3. Girare il dado di regolazione (A) in modo da allungare o accorciare il cavo. Il cavo va stretto quel tanto che basta per la rimozione di tutta la lentezza dalla leva ma non deve far sbloccare l'Easy Turn(tm) senza che venga premuta la leva di comando.
4. Serrare il controdado.

## 17

### AUGER GEAR CASE LUBRICATION

1. Place the snowthrower on a level surface.
2. Remove the pipe plug (A, Figure 22).
3. Check the lubricant level. It should be level with the lower edge of the plug opening. If not, add Simplicity Winter Weight Worm Gear Oil (available from your dealer).
4. Re-install pipe plug, and tighten securely.

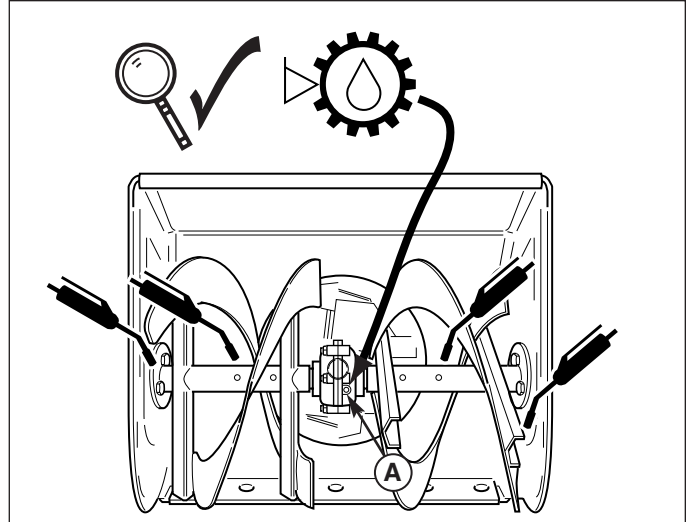
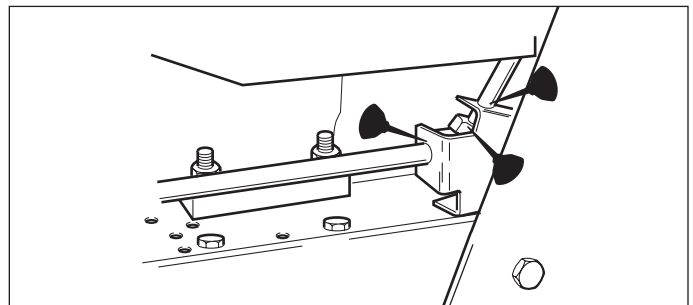
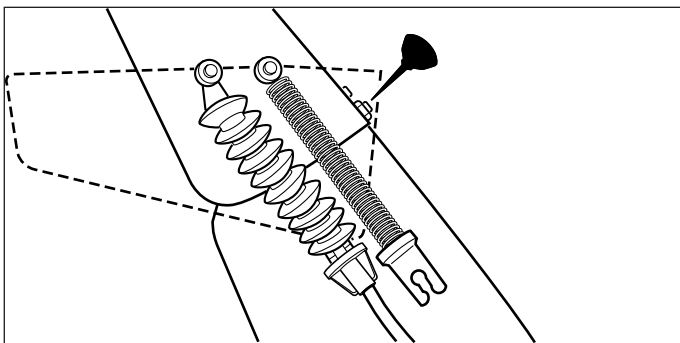
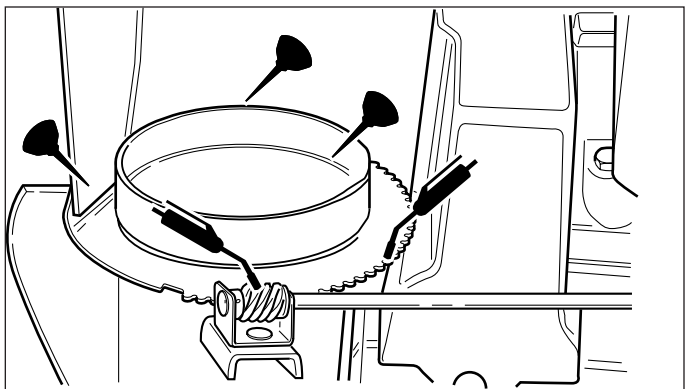
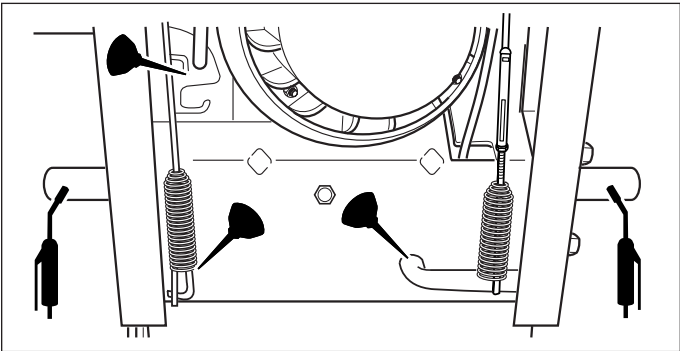
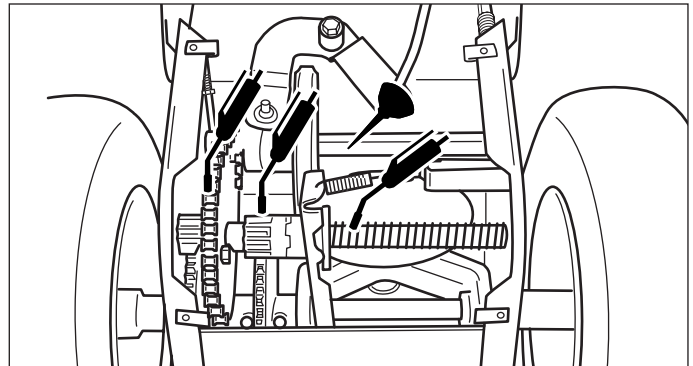
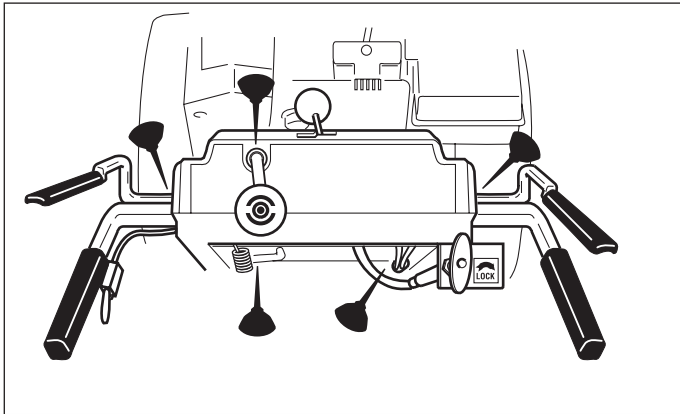


Figure 22. Auger Lubrication  
A. Pipe Plug



## CHECKS BEFORE EACH START-UP

1. Make sure all safety guards are in place and all nuts, bolts and clips are secure.
2. Check to make sure that the clean-out is attached to the handle on the machine. Do not operate the machine without the clean-out tool properly stored on the handle.
3. Check the engine oil level. See your engine Owner's Manual for procedure and specifications.
4. Check to make sure spark plug wire is attached and spark plug is tightened securely. If necessary, torque spark plug to 15 ft. lbs.
5. Check the fuel supply. Fill the tank no closer than 1/4 to 1/2 inch of top of tank to provide space for expansion. See your engine Owner's Manual for fuel recommendations.
6. Check the Scraper Bar to make sure it is set at the desired height. Adjust the Skid Shoes if necessary.
7. Check the Drive Control (B, Figure 23), and Auger Control (C) for proper operation. If adjustment is required, see the Service section for procedures.
8. Check the Chute Direction Control (D or F Figure 23) for proper operation. The discharge chute should rotate freely in both directions. See the Service section for adjustment procedures and troubleshooting.
9. Check the Chute Deflector (E, Figure 23) for proper operation. The deflector should pivot freely up and down when the Chute Deflector Knob is loosened.
10. Position the chute at the desired starting direction and set the deflector at the desired angle.
11. Check the Speed Selector (A, Figure 23) for smooth operation. The control must move freely into each speed position gate and remain in position when released. If the Speed Selector does not move freely into all forward and reverse speed positions, contact your local authorized dealer for assistance.

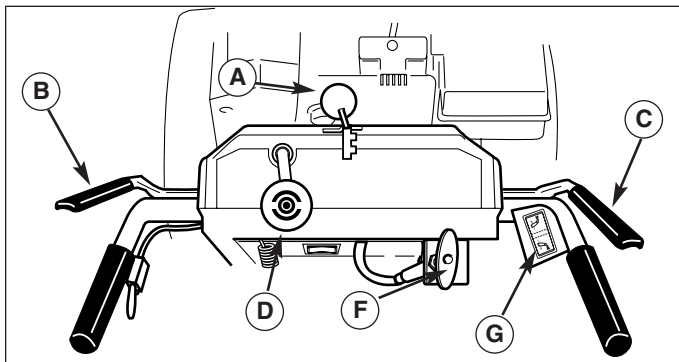


Figure 23. Controls (from operator's position)

- A. Speed Selector
- B. Traction & Free-Hand™ Control
- C. Auger Engage Control
- D. Chute Direction Control
- E. Chute Deflector (not shown)
- F. Remote Deflector Control
- G. Chute Direction Control (Electric)

## ⚠ WARNING

This unit is a “two-stage” snowthrower.

The first stage is the auger, which feeds the snow back into the impeller housing. The second stage is the impeller, which throws the snow out the discharge chute. If bodily contact is made with the auger or impeller when they are rotating, severe personal injury will occur.

To avoid injury, keep others and yourself away from the auger and the discharge chute whenever the engine is running. Read and follow all of the safety rules and warnings in this manual.

## ⚠ DANGER

Do not clean out discharge chute with hands. Contact with moving parts inside chute will cause serious injury. Use clean out tool provided with machine. Use the following procedure to remove objects or clear the chute:

1. Stop the engine. Remove the key
2. Wait 10 seconds to be sure the auger/impeller blades have stopped rotating.
3. Always use the clean-out tool. DO NOT use your hands.

## ⚠ WARNING

For your safety, operation on slopes should be in an up and down direction only. If it becomes necessary to move across the face of a slope, use caution and do not blow snow. Be very careful when changing direction on a slope.

Proper winter footwear is recommended for the operator to help prevent slipping. Never attempt to clean snow from excessively steep slopes. The maximum slope for any operation is 17.7% (10°).

## ⚠ WARNING

Gasoline is highly flammable and must be handled with care. Never fill the tank when the engine is hot or running. Always move outdoors to fill the tank. Keep snowthrower and gasoline away from open flame or spark

DE

## **WARNUNG**

**Kraftstoff ist leicht entflammbar und muss mit äußerster Vorsicht gehandhabt werden. Den Kraftstofftank niemals bei laufendem oder heißem Motor befüllen. Den Tank nur im Freien füllen. Schneefräse und Kraftstoff von offenen Flammen und Funken fernhalten.**

## **Sicherheitsprüfungen vor jeder Inbetriebnahme**

1. Sicherstellen, dass alle Sicherheitsabdeckungen installiert und alle Muttern, Schrauben und Klemmschellen fest angezogen sind.
2. Sicherstellen, dass das Reinigungswerkzeug am Griff der Maschine befestigt ist. Die Maschine nur verwenden, wenn das Reinigungswerkzeug ordnungsgemäß am Griff angebracht ist.
3. Motorölstand prüfen. Anweisungen und Spezifikationen der Betriebsanleitung des Motors entnehmen.
4. Sicherstellen, dass das Zündkabel angeschlossen und die Zündkerze fest angezogen ist. Die Zündkerze nach Bedarf mit einem Drehmoment von 20,3 Nm (15 ft. lbs.) anziehen.
5. Kraftstoffzufuhr prüfen. Im Tank immer 8 mm bis 12 mm vom Deckelrand freilassen, damit der Kraftstoff sich ausdehnen kann. Kraftstoffempfehlungen der Betriebsanleitung des Motors entnehmen.
6. Schürfleiste prüfen um sicherzustellen, dass sie auf die gewünschte Höhe eingestellt ist. Gleitschuhe nach Bedarf einstellen.
7. Antriebshebel (B, Abbildung 23) und Schneckenfördererhebel (C) auf ordnungsgemäße Funktion prüfen. Ggf. notwendige Einstellungsverfahren dem Abschnitt "Service" entnehmen.
8. Auswurfrichtungs-Einstellhebel (D / F Abbildung 23) auf ordnungsgemäße Funktion prüfen. Der Auswurfschacht muss sich in beiden Richtungen frei drehen. Ggf. notwendige Einstellungsverfahren und Abhilfemaßnahmen dem Abschnitt "Service" entnehmen.
9. Ablenklech des Auswurfschachts (E, Abbildung 23) auf ordnungsgemäße Funktion prüfen. Das Ablenklech muss sich frei nach oben und unten bewegen lassen, wenn der Knopf des Auswurfschacht-Ablenklechs gelöst ist.
10. Auswurfschacht in der gewünschten Startrichtung positionieren und das Ablenklech auf den gewünschten Winkel einstellen.
11. Gangwahlschalter (A, Abbildung 23) auf Leichtgängigkeit prüfen. Der Schalter muss sich leicht in alle Gangpositionen bewegen lassen und bei Freigabe in der jeweiligen Position fixiert bleiben. Wenn sich der

## **WARNUNG**

**Dieses Gerät ist eine Zweistufen-Schneefräse. Bei der ersten Stufe wird der Schnee von der Schnecke nach hinten in das Auswurfgehäuse gefördert. Bei der zweiten Stufe schleudert das Auswurfgebläse den Schnee aus dem Auswurfschacht. Kontakt mit dem rotierenden Schneckenförderer oder Auswurfgebläse führt zu schweren Verletzungen.**

**Um Verletzungen zu vermeiden, sich selbst und andere Personen vom Schneckenförderer und Auswurfschacht fernhalten, wenn der Motor läuft. Alle Sicherheitsbestimmungen und Warnhinweise in dieser Anleitung lesen und befolgen.**

## **WARNUNG**

**Den Auswurfschacht nicht mit den Händen reinigen. Kontakt der Hände mit beweglichen Teilen im Auswurfschacht kann schwere Verletzungen verursachen. Ausschließlich das an der Maschine angebrachte Reinigungswerkzeug verwenden. Zum Entfernen von Objekten oder Reinigen des Auswurfschachts das folgende Verfahren verwenden:**

1. Den Motor abstellen und den Zündschlüssel abziehen.
2. 10 Sekunden lang warten, um sicherzustellen, dass Schneckenförderer/Auswurfrad zum Stillstand gekommen sind.
3. Ausschließlich das Reinigungswerkzeug verwenden. NICHT mit den Händen in den Schacht fassen.

## **WARNUNG**

**Der Betrieb an Hängen sollte zur Sicherheit des Bedieners Bergaufwärts und Bergabwärts erfolgen. Wenn das Gerät quer zum Hang bewegt werden muss, vorsichtig vorgehen und keinen Schnee auswerfen. Bei Richtungsänderungen an Hängen ist besondere Vorsicht geboten.**

**Geeignetes Schuhwerk tragen, um Ausrutschen zu vermeiden. Das Gerät niemals an besonders steilen Hängen betreiben. Die maximale Steigung beträgt 17,7 Prozent (10°).**

Gangwahlschalter nicht in alle Vorwärts- und Rückwärtsgänge bewegen lässt, an den Fachhändler wenden.



NO

## ADVARSEL

Bensin er meget brennbart og må behandles forsiktig. Tanken må aldri fylles opp mens motoren er varm eller i gang. Du må alltid oppholde deg utendørs når du fyller opp tanken. Hold den roterende snøfreseren og bensinen borte fra åpen flamme eller gnister.

## FØLGENDE KONTROLLER SKAL UTFØRES FØR HVER OPPSTART

1. Påse at alle sikkerhetsvern er på plass, og at alle mutre, bolter og klemmer er godt strammet.
2. Kontroller for å være sikker på at stakeverktøyet er festet til håndtaket på maskinen. Ikke bruk maskinen uten at stakeverktøyet er på plass i håndtaket slik det skal være.
3. Kontroller oljenivået i motoren. Slå opp i bruker-håndboken for motoren for å finne fremgangsmåte og spesifikasjoner.
4. Kontroller at tennpluggledningen er tilkopleet og at tennpluggen er strammet godt. Stram eventuelt tennpluggen til 20 Nm (15 ft.lbs.)
5. Kontroller drivstoffnivået. Fyll tanken til maks. 8 til 12 mm fra den øverste kanten i tanken, slik at det er rom for ekspansjon. Slå opp i brukerhåndboken for motoren for å finne anbefalinger for drivstoff.
6. Kontroller at skrapebladet er innstilt til riktig høyde. Juster eventuelt meiene, hvis nødvendig.
7. Kontroller at driv-kontrollen (B, figur 23) og innkoplingskontrollen for skovlen (C) fungerer på riktig måte. Slå opp på kapitlet Service hvis det er nødvendig med justeringer.
8. Kontroller at retningskontrollen for utkasterrøret (D / F figur 23) fungerer på riktig måte. Utkasterrøret skal bevege seg fritt i begge retninger. Slå opp på kapitlet Service hvis du trenger opplysninger om justeringsprosedyrer og feilsøking.
9. Kontroller at deflektoren på utkasterrøret (E, figur 23) fungerer på riktig måte. Deflektoren skal kunne svinges fritt opp og ned når deflektorknappen på utkasterrøret er løsnet.
10. Vri utkasterrøret til riktig startstilling, og still deflektoren i riktig vinkel.
11. Kontroller at hastighetsvelgeren (A, figur 23) fungerer som den skal. Kontrollen skal kunne flyttes fritt til alle hastighetsstillingene og forbli i den aktuelle stillingen når du slipper opp kontrollen. Ta kontakt med nærmeste autoriserte forhandler for å få hjelp hvis hastighetsvelgeren ikke kan flyttes fritt til alle hastighetsstillingene forover og i revers.

## ADVARSEL

Denne maskinen er en "to-trinns" snøfreser.

Det første trinnet er skovlen, som mater snøen tilbake inn i drivkraftsstativet. Det andre trinnet er drivfjæren, som kaster snøen ut gjennom utkasterrøret. Hvis kroppen kommer i kontakt med skovlen eller drivfjæren mens rotering pågår, vil alvorlig kroppsskade finne sted.

For å unngå skade, må du holde deg selv og andre borte fra skovlen og utkasterrøret hver gang motoren er i gang. Les og følg alle sikkerhetsreglene og advarslene i denne håndboken.

## ADVARSEL

Ikke stake en utmatertut med hendene. Å komme i kontakt med bevegelige deler inni utmatertuten vil føre til alvorlig skade. Bruk stakeverktøyet som følger med maskinen. Bruk følgende fremgangsmåte ved fjerning av gjenstander i eller for å åpne utmatertuten.

1. Stopp motoren. Ta ut nøkkelen.
2. Vent i 10 sekunder for å være sikker på at innmatingskruen/viftehjulet har sluttet å rotere.
3. Alltid bruk stakeverktøyet. IKKE bruk hendene dine.

## ADVARSEL

Av sikkerhetsmessige årsaker bør all drift i bakker bare utføres i opp- og nedretninger. Hvis det blir nødvendig å bevege seg på tvers over en bakke, må du være forsiktig og ikke kaste snøen. Vær ytterst forsiktig hvis du må endre retning mens du befinner deg i en bakke.

Passende fottøy til vinterbruk anbefales for vedkommende som bruker snøfreseren for å unngå å skli. Du må aldri prøve å fjerne snø fra meget store bakker. Den maksimale bakken til bruk av snøfreseren er 17,7% (10°).

SE

## VARNING!

Bensin är mycket antändbart och måste hanteras med försiktighet. Fyll aldrig på tanken medan motorn är varm eller igång. Fyll alltid på tanken utomhus. Förvara inte snöslungan eller bensinen i närheten av öppen låga eller gnista.

## KONTROLLER FÖRE VARJE ANVÄNDNING

1. Kontrollera att samtliga säkerhetsanordningar finns på plats samt att alla muttrar, bultar och klämmor sitter ordentligt fast.
2. Kontrollera att rengöringsverktyget är fastsatt på maskinens handtag. Kör inte maskinen utan att rengöringsverktyget är fastsatt på rätt sätt på handtaget.
3. Kontrollera motorns oljenivå. Se instruktionsboken för motorn för förfaranden och specifikationer.
4. Kontrollera att tändstiftskabeln sitter ordentligt fast och att tändstiftet är ordentligt fastspänt. Vid behov, momentdrag tändstiftet med 20 Nm (15 ft lbs).
5. Kontrollera bränsleförsörjningen. Fyll inte upp tanken mer än 8 till 12 mm under tankens övre del så att möjlighet ges för expansion. Se instruktionsboken för motorn för bränslerekommendation.
6. Kontrollera att skrapbladet är inställt på önskad höjd. Justera medarna vid behov.
7. Kontrollera att hjuldrivningens kopplingsgrepp (B, figur 23) och redskapets kopplingsgrepp (C) fungerar på rätt sätt. Om justering krävs, se avsnittet Service för rätt förfarande.
8. Kontrollera att utkastets reglage (D / F figur 23) fungerar på rätt sätt. Utkastet ska kunna rotera fritt åt båda hållen. Se avsnittet Service för justeringsförfaranden och felsökning.
9. Kontrollera att utkastets stänkskydd (E, figur 23) fungerar på rätt sätt. Stänkskyddet ska kunna vridas fritt uppåt och nedåt när vredet för utkastets stänkskydd lossas.
10. Ställ in utkastet på önskad startriktning och ställ in stänkskyddet på önskad vinkel.
11. Kontrollera att hastighetsväljaren (A, figur 23) fungerar jämnt. Reglaget måste lätt kunna föras till varje hastighetsläge och stanna där när det släpps. Om hastighetsväljaren inte kan föras fritt mellan alla hastighetslägena både framåt och bakåt, ska du kontakta din auktoriserade återförsäljare för hjälp.

## VARNING!

Den här snöslungan är av "tvåstegstyp".

Första steget består av skruven som för in snö bakåt till skovelhjulets kåpa. Det andra steget består av skovelhjulet som slungar ut snön genom utkastet. Om kroppskontakt uppstår med skruven eller skovelhjulet då dessa roterar, resulterar detta i allvarlig personskada.

Undvik skada genom att hålla både dig själv och andra borta från skruven och utkastet medan motorn är igång. Läs igenom och följ samtliga säkerhetsregler och varningar i denna handbok.

## VARNING!

Rensa inte utkastet med händerna. Kontakt med rörliga delar inuti utkastet orsakar allvarlig skada. Använd rengöringsverktyget som medföljer maskinen. Ta bort föremål eller rensa utkastet genom följande förfarande:

1. Stanna motorn. Ta ur tändningsnyckeln
2. Vänta 10 sekunder för att säkerställa att skruvens/skovelhjulets blad har slutat rotera.
3. Använd alltid rengöringsverktyget. Använd INTE händerna.

## VARNING!

För din personliga säkerhet bör användning på sluttande mark endast ske i rörelse uppför och nedför sluttningen. Om du måste förflytta dig utmed sluttningen ska du iakttä försiktighet och inte aktivera snöslungan. Var mycket försiktig då du ändrar riktning på sluttande mark.

Vi rekommenderar att du som användare bär fotbeklädnad lämplig för vintertid för att inte tappa fotfästet. Försök aldrig rensa bort snö från extremt branta sluttningar. Maximal lutning för all användning överstiger ej 17,7 % (10°).

(FR)

**AVERTISSEMENT**

L'essence est hautement inflammable et doit être manipulée avec précaution. Ne jamais remplir le réservoir alors que le moteur est chaud ou en marche. Toujours remplir le réservoir en plein air. Tenir la déneigeuse à fraise et l'essence à l'écart de flammes nues ou d'étincelles.

**CONTROLES AVANT CHAQUE DÉMARRAGE**

1. Vérifier que tous les capots de protection sont en place et que tous les écrous, boulons et attaches sont bien serrés.
2. Vérifier que l'outil de nettoyage est attaché au guidon de la machine. Ne pas utiliser la machine sans l'outil de nettoyage correctement rangé sur le guidon
3. Contrôler le niveau d'huile du moteur. Se reporter aux instructions et caractéristiques figurant dans le mode d'emploi du moteur.
4. Vérifier que le câble de bougie est branché et que la bougie est correctement serrée. Au besoin, serrer la bougie à un couple de 20 Nm (15 ft-lb).
5. Contrôler l'alimentation en essence. Ne pas remplir à moins de 8 à 12 mm du haut du réservoir afin de laisser un volume suffisant pour la dilatation. Voir le carburant recommandé dans le mode d'emploi du moteur.
6. Vérifier que la racle est à la hauteur souhaitée. Régler les patins au besoin.
7. Contrôler le bon fonctionnement de la commande d'avance (B, Figure 23) et de la commande de fraise (C). Si des réglages s'avèrent nécessaires, se reporter aux instructions de la section Entretien et réparation.
8. Contrôler le bon fonctionnement de la commande de direction d'éjection (D / F Figure 23). La manche d'éjection doit tourner librement dans les deux sens. Se reporter aux instructions de réglage et de dépannage dans la section Entretien et réparation du manuel.
9. Contrôler le bon fonctionnement du déflecteur d'éjection (E, Figure 23). Le déflecteur doit pivoter librement vers le haut et la bas lorsque le bouton de réglage est desserré.
10. Tourner la manche dans la direction initiale souhaitée puis régler l'angle du déflecteur.
11. Contrôler le fonctionnement du sélecteur de vitesse (A, Figure 23). La manette doit passer librement d'un rapport de vitesse à l'autre et rester en position

**AVERTISSEMENT**

Cette machine est une déneigeuse à fraise à « deux étages ».

Le premier étage est la fraise, qui envoie la neige vers la turbine. Le second étage est la turbine, qui projette la neige vers la manche d'éjection. Tout contact du corps avec la fraise ou la turbine en rotation peut entraîner des dommages corporels graves.

Pour écarter tout risque de blessure, l'utilisateur et autres personnes présentes doivent se tenir à l'écart de la fraise et de la manche d'éjection lorsque le moteur est en marche. Lire et respecter l'ensemble des règles de sécurité et avertissements figurant dans ce manuel.

**AVERTISSEMENT**

Ne pas nettoyer la manche d'éjection avec les mains. Le contact avec des pièces en mouvement à l'intérieur de la manche causera des blessures graves. Utiliser l'outil de nettoyage fourni avec la machine. Pour extraire des objets ou dégager la manche :

1. Arrêter le moteur. Retirer la clé.
2. Attendre 10 secondes pour s'assurer que les pales de la fraise/turbine ont cessé de tourner.
3. Toujours utiliser l'outil de nettoyage. NE PAS se servir des mains.

**AVERTISSEMENT**

Pour des raisons de sécurité, le travail sur les terrains en pente doit se faire en montant ou en descendant uniquement. S'il est nécessaire de se déplacer horizontalement en travers de la pente, avancer avec précaution sans chasser la neige. Faire preuve de beaucoup de prudence lors des changements de direction sur une pente.

Pour éviter de glisser, il est conseillé de porter des chaussures ou bottes d'hiver appropriées. Ne jamais tenter de déneiger des terrains trop inclinés. La pente maximale pouvant être déneigée est de 17,7% (10°).

lorsqu'elle est relâchée. S'il n'est pas possible de placer sans difficulté le sélecteur de vitesse dans toutes les positions avant et arrière, contacter le revendeur local agréé.

(IT)



## AVVERTENZA

La benzina è altamente infiammabile e va maneggiata con cautela. Mai fare rifornimento con il motore caldo o avviato. Riempire il serbatoio sempre all'aperto. Tenere lo spazzaneve e la benzina a distanza da fiamme libere o scintille.

## FUNZIONAMENTO GENERALE CONTROLLI PRIMA DELL'AVVIAMENTO

1. Controllare che tutte le protezioni siano installate e che tutti i dadi, i bulloni e le clip siano fissati.
2. Controllare il livello dell'olio motore. Per la procedura e le caratteristiche tecniche, fare riferimento al manuale dell'operatore del motore.
3. Controllare il livello dell'olio motore. Per la procedura e le caratteristiche tecniche, fare riferimento al manuale dell'operatore del motore.
4. Controllare che il filo della candela sia collegato e la candela sia fissata saldamente in sede. Se necessario, serrare la candela ad una coppia di 20 Nm (15 piedi-libbre).
5. Controllare l'alimentazione del combustibile. Riempire il serbatoio fino a 8-12 mm dalla sommità, in modo da lasciare spazio per l'espansione del combustibile. Per il tipo di combustibile consigliato, fare riferimento al manuale dell'operatore del motore.
6. Controllare la barra del raschiatore, per controllare che sia impostata all'altezza corretta. Regolare i pattini, se necessario.
7. Controllare che il comando della trasmissione (B, Figura 23) e quello della coclea (C) funzionino correttamente. Qualora sia necessario effettuare una regolazione, fare riferimento al capitolo Manutenzione, per le procedure corrette.
8. Controllare che il comando di orientamento dello scivolo (D / F Figura 23) funzioni correttamente. Lo scivolo di scarico deve essere libero di girare in entrambe le direzioni. Per le procedure di regolazione e l'individuazione dei guasti, fare riferimento al capitolo Manutenzione.
9. Controllare che il deflettore dello scivolo (E, Figura 23) funzioni correttamente. Il deflettore deve essere libero di ruotare in alto ed in basso, una volta allentata la manopola del deflettore dello scivolo.
10. Orientare lo scivolo nella direzione iniziale necessaria ed impostare il deflettore all'angolo desiderato.



## AVVERTENZA

Questa unità è uno spazzaneve "a due fasi".

Nella prima fase la coclea alimenta la neve attraverso l'alloggiamento della girante. Nella seconda fase la girante espelle la neve attraverso lo scivolo di scarico. Il contatto con la coclea e la girante nel corso del loro funzionamento può provocare infortuni gravi.

Per evitare infortuni, tenersi e tenere gli astanti a distanza dalla coclea e dallo scivolo di scarico con il motore in funzione. Leggere e seguire tutte le norme di sicurezza e le avvertenze contenute nel presente manuale.



## AVVERTENZA

Non pulire lo scivolo di scarico con le mani. Il contatto con gli elementi moventi all'interno dello scivolo causeranno lesioni gravi. Usare solo l'utensile per la pulizia in dotazione all'unità. Per togliere oggetti dallo scivolo eseguire la procedura seguente:

1. Fermare il motore. Rimuovere la chiavetta.
2. Attendere 10 secondi per essere sicuri che le lame della coclea/girante hanno smesso di muoversi.
3. Usare sempre l'utensile per la pulizia. NON usare le mani.



## AVVERTENZA

Per garantire la sicurezza personale, guidare la macchina esclusivamente in salita ed in discesa lungo un pendio. Qualora si renda necessario procedere trasversalmente sul pendio, fare attenzione e non spazzare la neve. Prestare molta attenzione quando si effettua una svolta su un pendio.

Onde evitare di scivolare, l'operatore dovrebbe calzare scarpe adatte. Non tentare mai di rimuovere la neve lungo pendii troppo scoscesi. L'inclinazione massima per il funzionamento su pendii è di 17,7% (10°).

11. Controllare che la leva del cambio (A, Figura 23) possa essere manovrata agevolmente. Il comando deve essere in grado di ingranare le varie marce e restare in sede una volta rilasciato. Se il cambio non è in grado di passare da una marcia all'altra (marcia avanti e retromarcia), rivolgersi alla concessionaria di fiducia per assistenza.







## Free Manuals Download Website

<http://myh66.com>

<http://usermanuals.us>

<http://www.somanuals.com>

<http://www.4manuals.cc>

<http://www.manual-lib.com>

<http://www.404manual.com>

<http://www.luxmanual.com>

<http://aubethermostatmanual.com>

Golf course search by state

<http://golfingnear.com>

Email search by domain

<http://emailbydomain.com>

Auto manuals search

<http://auto.somanuals.com>

TV manuals search

<http://tv.somanuals.com>