

INSTALLATION INSTRUCTIONS,

REAR LIFT KIT
MFG. NO. 1691765

KIT PARTS

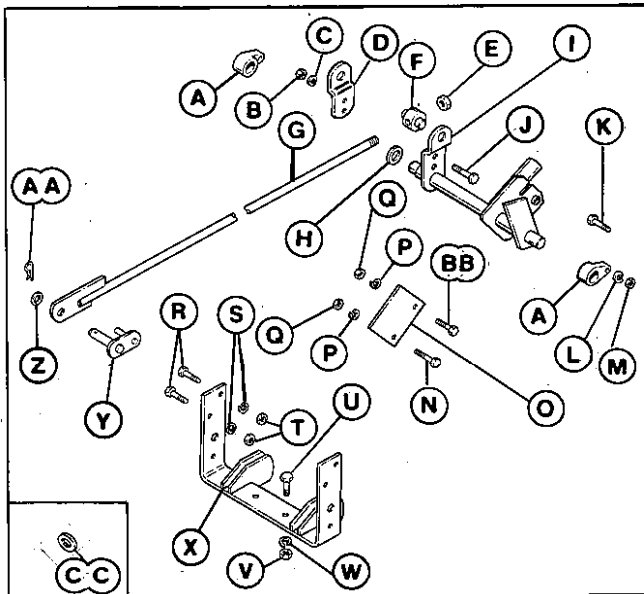


Figure 1. Kit Parts

Ref.	Description	Qty.
A.	Searing	2
B.	Nut, 3/8	2
C.	Lockwasher, 3/8	2
D.	Lift Arm	1
E.	Nut, Centerlock	1
F.	Trunnion, Rear	1
G.	Lift Rod	1
H.	Washer, 1	1
I.	Lift Shaft	1
J.	Capscrew, 3/8-16 x 1	2
K.	Capscrew, 5/16	2
L.	Lockwasher, 5/16	2
M.	Nut, 5/16	2
N.	Capscrew, 7/16-14 x 1-1/2	1
O.	Upstop Plate	1
P.	Lockwasher, 7/16	2
Q.	Nut, 7/16	2
R.	Capscrew, 7/16-14 x 1-1/4	4
S.	Lockwasher, 7/16	4
T.	Nut, 7/16	4
U.	Capscrew, 1/2-13 x 1-1/4	2
V.	Lockwasher, 1/2	2
W.	Nut, 1/2	2
X.	Hitch	1
Y.	Trunnion, Front	1
Z.	Washer	1
AA.	Clip	1
BB.	Capscrew, 7/16 x 1-1/4	1
CC.	Washer, Special	1

INSTALLATION

1. Install the lift rod (G, figure 1) as follows:

- Open tractor hood.
- Remove the tractor lower side panel (A, figure 2) on right-hand side by removing four screws.

- Remove the tunnel cover (B) by removing two screws at rear and loosening left front screw.
- Remove upper side panel (C) by removing three screws. Retain the hood catch for reassembly.

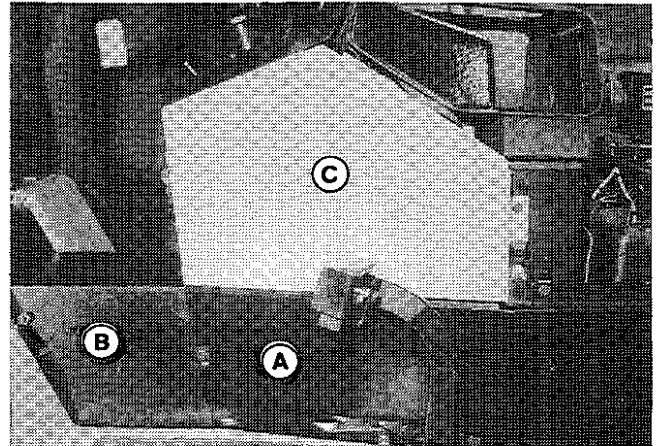


Figure 2.

- A. Lower Side Panel
- B. Tunnel Cover
- C. Upper Side Panel

- Insert lift rod (G, figure 1) from rear of tractor up to the tractor lift lever. The rear end of lift rod is shown in figure 8. Figure 3 shows the lift rod as it is positioned in tractor.
- The cylinder (figure 3) is connected to the tractor lift lever. Remove the clip and pin, and disconnect the cylinder from the lift lever.

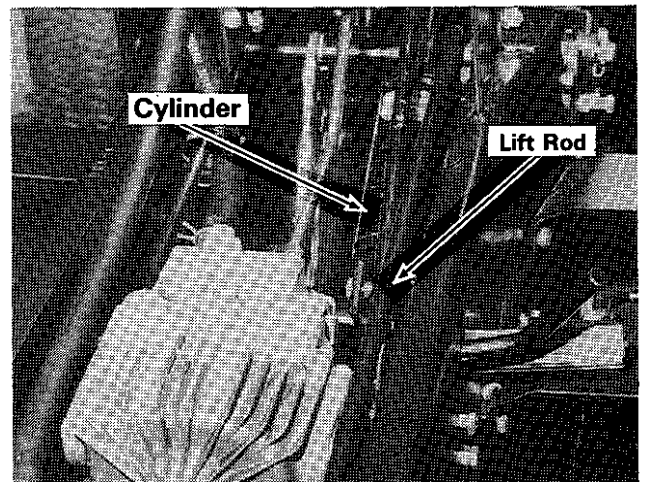


Figure 3.

FORM ■ 1702006
PRINTED IN U.S.A.
11/88

- g. Using the front trunnion (Y, figure 1), connect the cylinder and lift rod(G) to the tractor lift lever. (See figure 4.) Position cylinder and insert short leg of trunnion through it. Connect lift rod to long leg of trunnion. Be sure lift rod is positioned with flat side as shown.

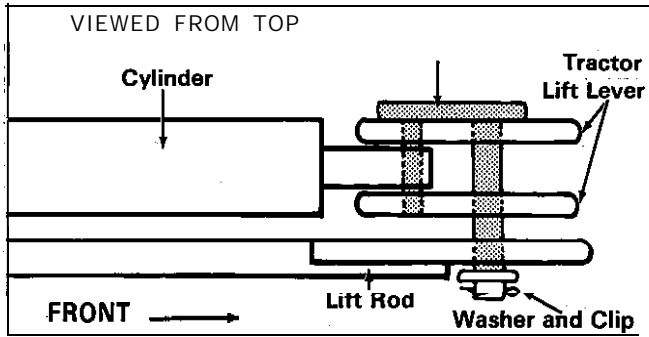


Figure 4.

2. For 18 hp models, Mfg. No. 1691307, and older, install special washer (CC, figure 1) as follows:
 - a. Remove cotter pin (A, figure 5) and remove ground speed control rod (B) from cam plate (C).
 - b. Install special washer (D) on control rod (B). Reinstall rod to cam plate and secure with cotter pin.

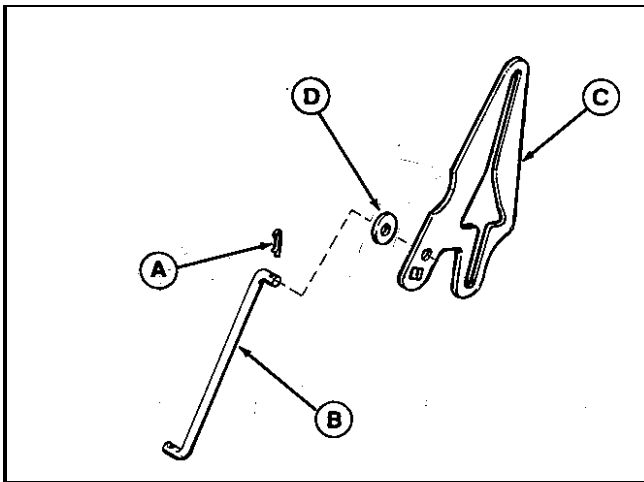


Figure 5. Special Washer Installation

- A. Cotter Pin
- B. Ground Speed Control Rod
- C. Cam Plate
- D. Special Washer

3. If a rear PTO has been installed on the tractor, it is not necessary to install the upstop plate (O, figure 1). To install, proceed as follows:

- a. Remove and discard the rear-most screw from the transmission support (figure 6).
- b. Install the plate in mounting holes (C, figure 7) shown. Use 7/16-14 x 1-1/2" screw (D) at front hole and 7/16-14 x 1-1/4" screw (E) at rear hole. Install lockwashers and nuts.

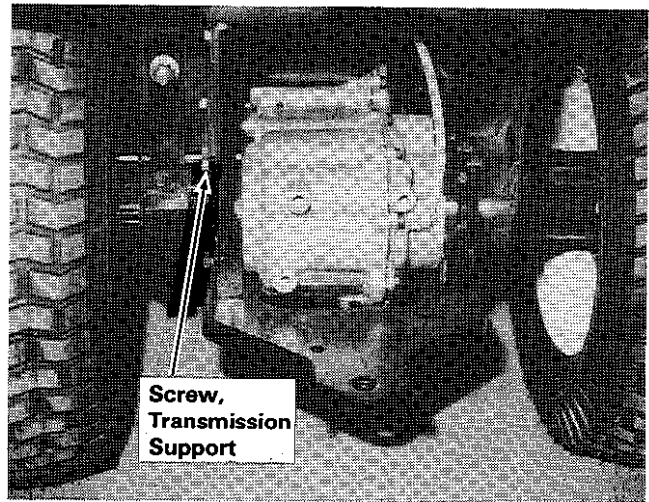


Figure 6.

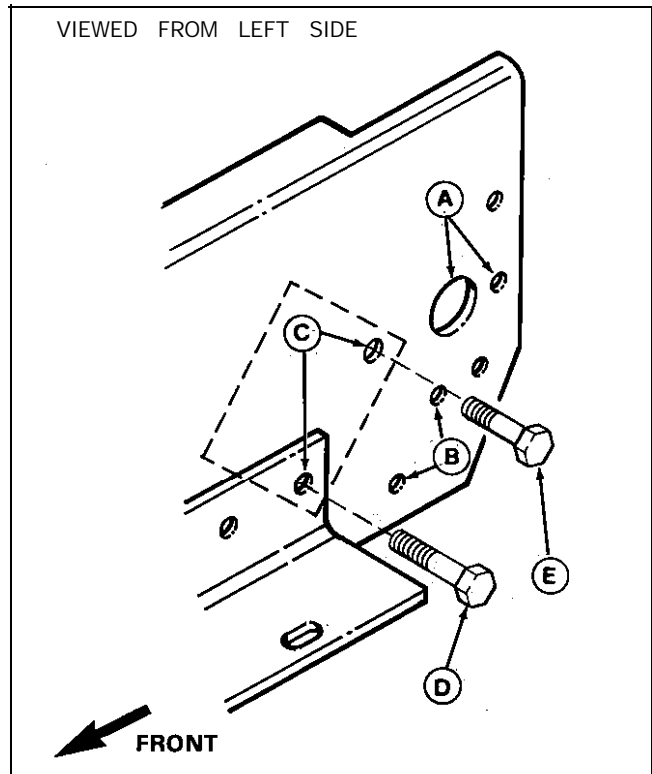


Figure 7.

- A. Lift Shaft Mtg. Holes
- B. Hitch Mtg. Holes
- C. Upstop Plate Mtg. Holes
- D. Screw, 7/16-14x 1-1/2
- E. Screw, 7/16-14 x 1-1/4

1702-06

4. Insert the lift shaft (A, figure 8) into position, place bearing (B) on to each end, and secure with **capscrew** lockwasher and nut (C) on each side.
5. Position the rear **trunnion** (D) onto the lift rod. Install the lift arm half(E) to lift shaft(F) and secure with two **3/8-16x 1" capscrews, 3/8" lockwashers and 3/8" nuts** (G). Install centerlock nut on end of lift rod.

7. From top, connect **hitch (A)** to **drawbar with two 1/2-13 x 1-1/4 capscrews (C), 1/2" lockwashers, and 1/2" nuts.**
8. Reinstall panels and cover removed in step 1.

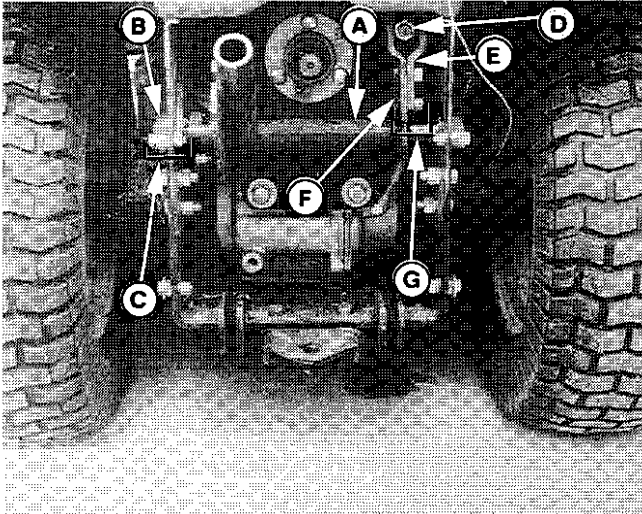


Figure 8.

- | | |
|------------------|------------------|
| A. Lift Shaft | E. Lift Arm |
| S. Bearing | F. Lift Shaft |
| C. Mtg. Hardware | G. Mtg. Hardware |
| D. Rear Trunnion | |

6. Position the hitch (A, figure 9) as shown and install two **7/16-14 x 1-1/4" capscrews 7/16" lockwasher and 7/16" nuts** (B) each side. See mounting holes (B, figure 7).

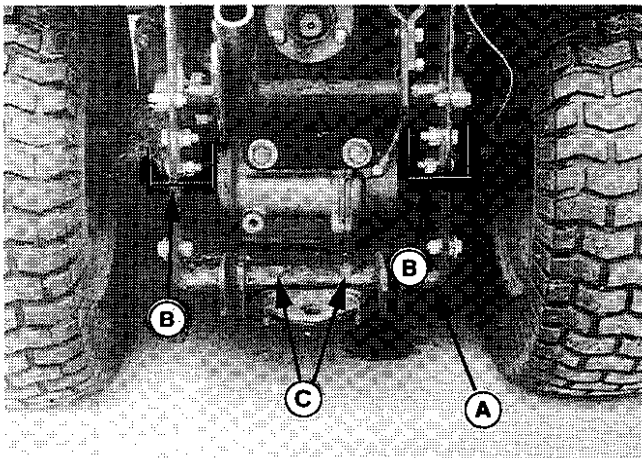


Figure 9.

- | |
|------------------|
| A. Hitch |
| S. Mtg. Hardware |
| c. Capscrew |

Free Manuals Download Website

<http://myh66.com>

<http://usermanuals.us>

<http://www.somanuals.com>

<http://www.4manuals.cc>

<http://www.manual-lib.com>

<http://www.404manual.com>

<http://www.luxmanual.com>

<http://aubethermostatmanual.com>

Golf course search by state

<http://golfingnear.com>

Email search by domain

<http://emailbydomain.com>

Auto manuals search

<http://auto.somanuals.com>

TV manuals search

<http://tv.somanuals.com>