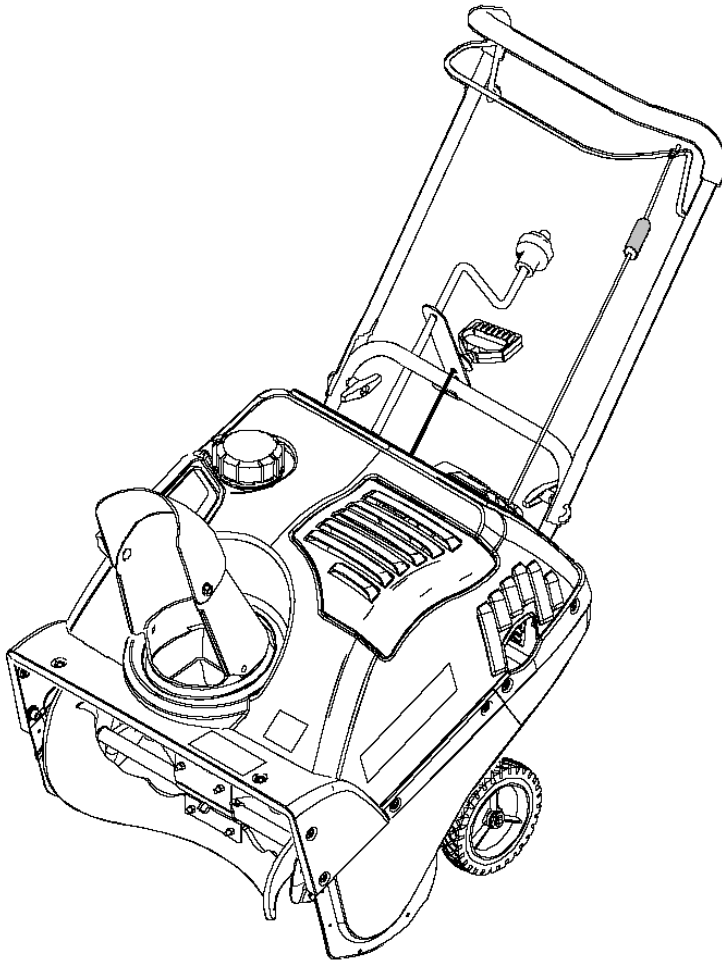


Parts Manual for

SNAPPER®

5HP 22" SINGLE STAGE SNOW THROWER (2009)

MODEL
ESS5220E (1695511)
SS5220E (1695470)



Briggs & Stratton Yard Power Products Group

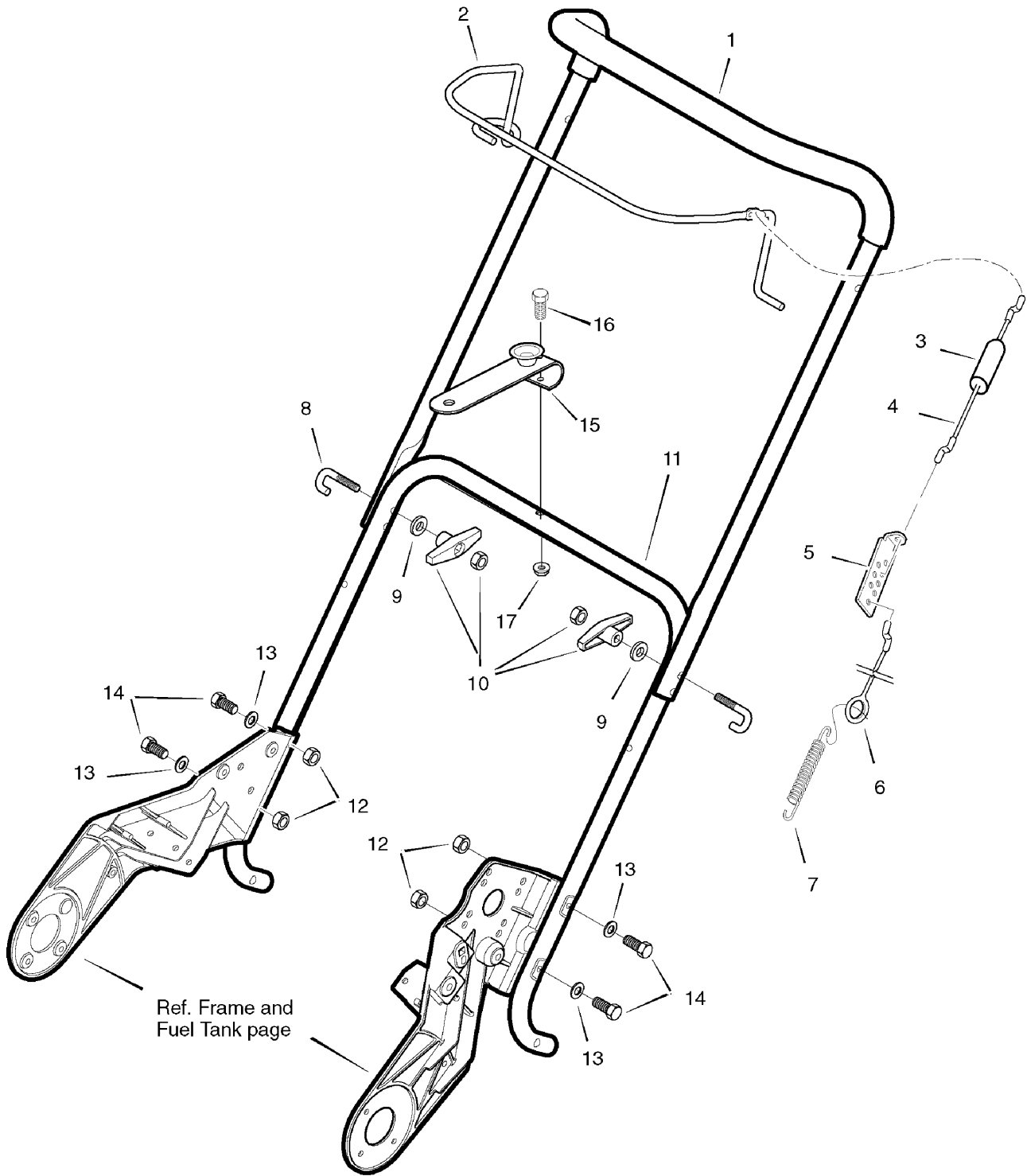
535 Macon Road
McDonough, GA, 30253 U.S.A.
800-935-2967

Revision IR, 11/25/2008

Manual No. 7006480

TP 400-5420-IR-SX-N

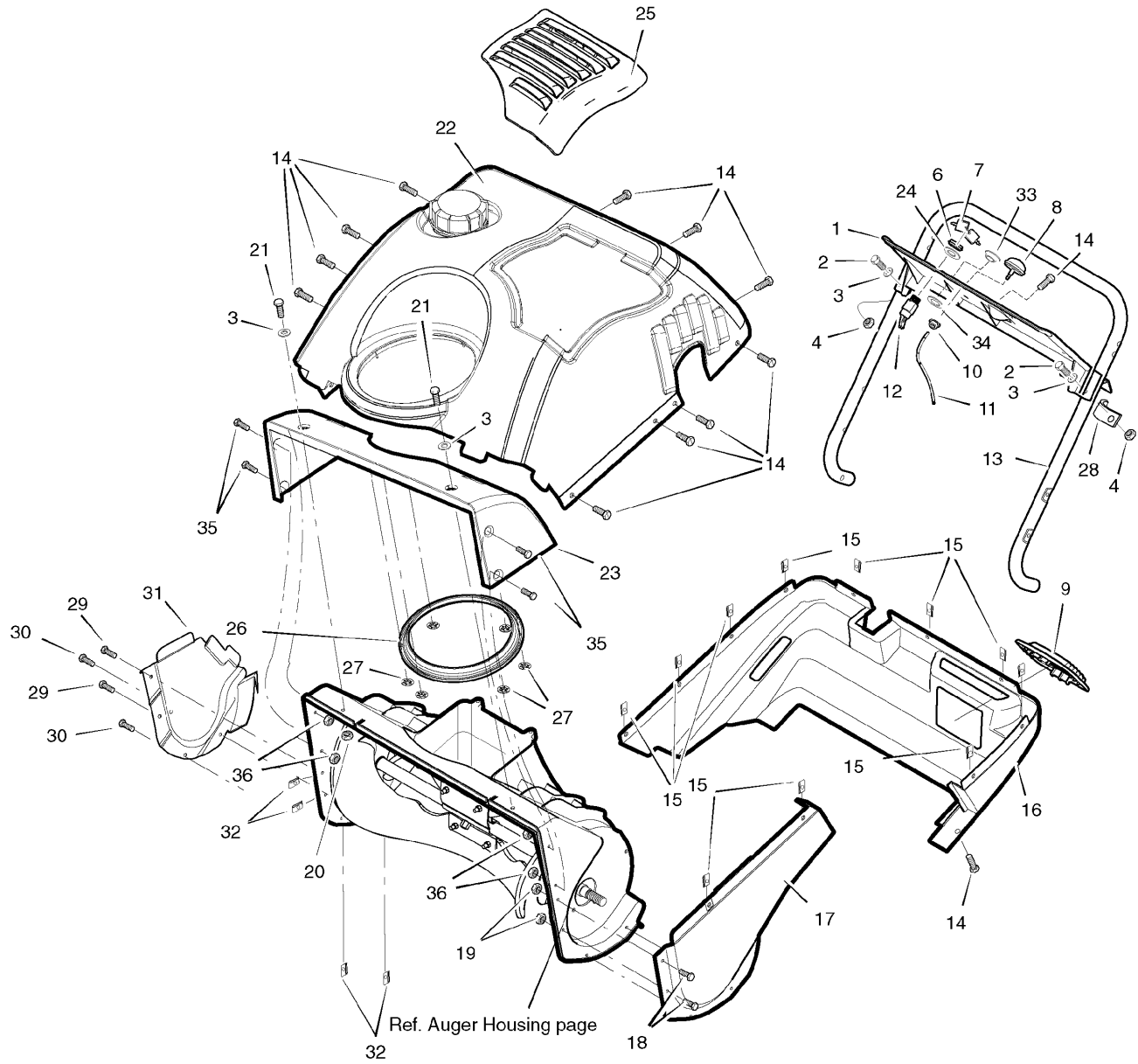
PAGE	GROUP
4	Handle Assembly Group
6	Body Covering Group
8	Auger and Housing Group
10	Chute System Group
14	Frame and Fuel Tank Group
16	Engine Drive System Group
18	Electric Starter Group
20	Wheel Assembly Group
22	Decals Group



Handle Assembly Group

Item	Part No	Qty	Description	Note
1	722348	1	HANDLE & GRIP ASSEMBLY	
2	1742021H	1	CONTROL, Bail	
3	723154	1	BOOT, Clutch Spring	
4	722366	1	CABLE, Upper Control	
5	723259	1	BRACKET, Control Adjust	
6	723261	1	CABLE, Lower Control	
7	723263	1	SPRING	
8	722326	2	Bolt, "U"	
9	723239	2	WASHER	
10	1740436	2	KNOB, "T"	
11	1741982H	1	HANDLE, Lower	
12	725429	20	NUT	
13	725330	18	WASHER	
14	723280	6	SCREW, 1/4 - 20 x 1-1/4	
15	1733377A	1	BRACKET & CUP ASMY-CHUTE -BLACK	
16	1740344	1	BOLT, Hex-Head, 1/4-20 X 1.50	
17	1740345	1	NUT, Hex-Head, Nylock, 1/4-20	

Footnotes:

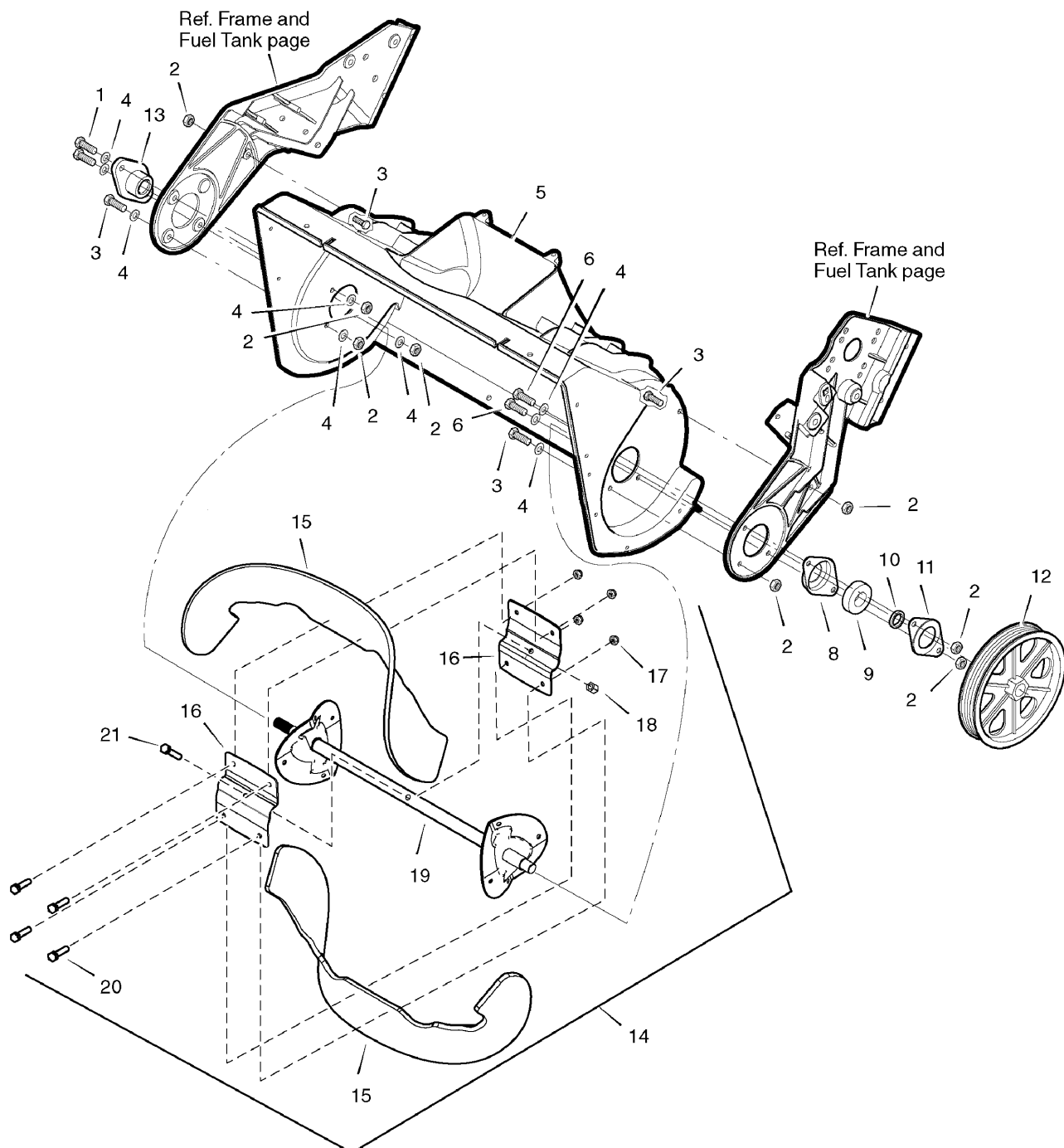


Body Covering Group

Item	Part No	Qty	Description	Note
1	1740006	1	PANEL, Control	
2	723280	4	SCREW, 1/4 - 20 x 1-1/4	
3	725330	4	WASHER	
4	722398	1	NUT, 1/4 - 20	
6	722906	1	NUT, 5/8 - 32	
7	691959	1	KEYS & RING, Starter	
8	394281S	1	BULB, Fuel Primer	
9	722327	1	COVER, Access	
10	727479	1	NUT, Keps 1/4 - 20	
11	723672	1	HOSE, Primer, 9.5"	
12	724504	1	SWITCH, Ignition	
13	1741982H	1	HANDLE, Lower	
14	1740053	4	SCREW, 1/4 - 14 x 3/4	
15	724571	14	NUT, 1/4 - 10	
16	1740004	1	COVER, Bottom	
17	1740005	1	COVER, Belt	
18	1740051	4	SCREW, 10 - 24 x 1/2	
19	1740052	4	NUT, Hex Center Lock, 10 - 24	
20	1740056	2	LOCKNUT, Hex 1/4 - 20	
21	1740425	2	SCREW, 1/4 - 20 x 9/10	
22	1740351	1	COVER, Top	
23	1740007	1	COVER, Auger Top	
24	727970	1	WASHER	
25	1740385	1	COVER, Oil Access	
26	722347	1	Gasket, Chute Ring	
27	720384	6	NUT, Push Pal	
28	729475	1	CLIP, Cable	
29	1740426	2	SCREW, 10-24 x .72	
30	1740427	2	SCREW, 10-24 x .95	
31	1740071	1	COVER, R.H. Auger Housing	
32	1740407	4	J-NUT, 1/4-10	
33	729580	1	GROMMET, Rope	
34	729667	1	WASHER, Rope Grommet	
35	721923	4	SCREW, 10-24 X 1/2"	
36	723243	4	NUT, Hex, Center-lock, 10-24	

Footnotes:

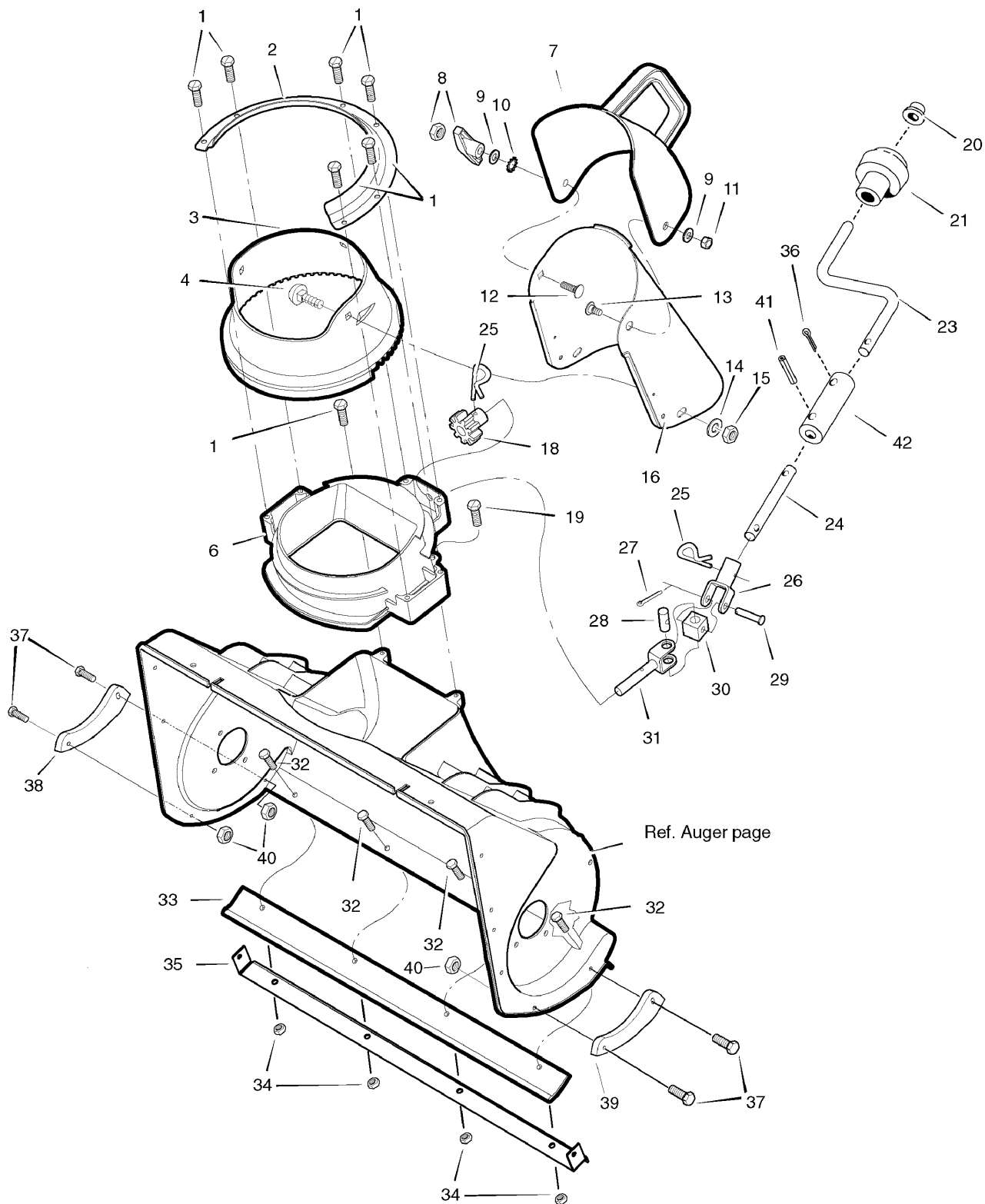
Auger and Housing Group



Auger and Housing Group

Item	Part No	Qty	Description	Note
1	725304	2	SCREW, 1/4 - 20 x 1	
2	725429	2	NUT, Hex, 1/4 - 20	
3	723010	2	SCREW, 1/4 - 20 x 3/4	
4	725330	4	WASHER, Flat	
5	1736375	1	HOUSING ASSEMBLY, Auger	
6	728095	2	SCREW, 1/4 - 20 x 5/8	
8	724638	1	BEARING, Retainer	
9	727286	1	Bearing	
10	724570	1	SLEEVE, Spacer	
11	723659	1	PLATE, Bearing Retainer	
12	723622	1	PULLEY, Auger Drive V6	
13	724547	1	BEARING, Flange	
14	1735771	1	AUGER HOUSING	<i>Incl. Ref. Nos. 15, 16, 17, 18, 19, 20, & 21</i>
15	1735606	1	BLADE, Auger, Black	
16	1735609	1	BRACKET, Auger, Center	
17	1920397	12	NUT, Nylock	
18	1919438	1	NUT, Hex-Lock, ESNA Light, 5/16-18, NC3B, Black	
19	1735610	1	SHAFT, Sub	
20	5025299X8	4	BOLT, 1/4-20 X 1"	
21	1921221	1	CAPSCREW, Hex-Head, 5/16-18 x 1-1/2, G5 Black	

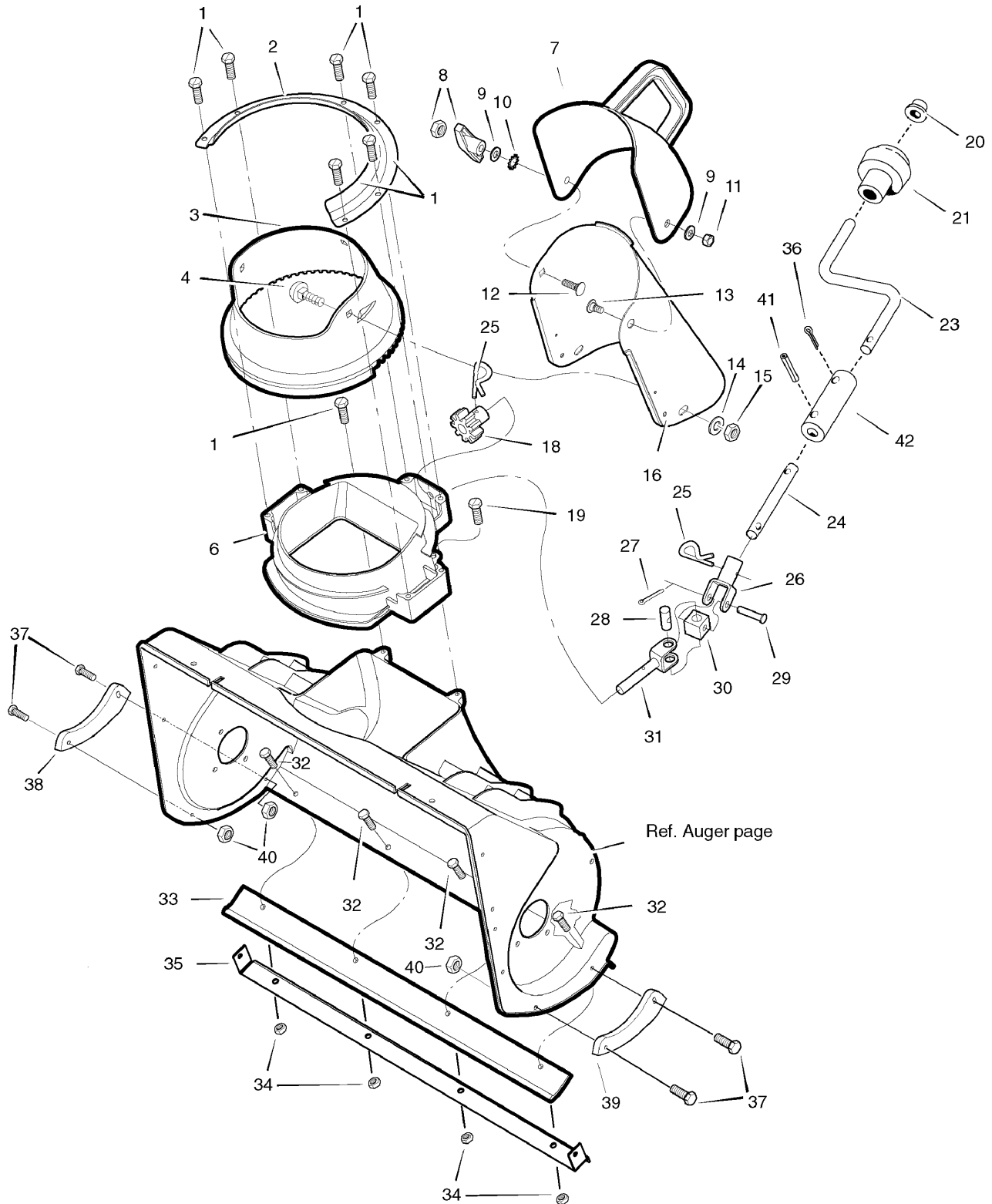
Footnotes:



Chute System Group

Item	Part No	Qty	Description	Note
1	723283	2	SCREW, 1/4 - 14	
2	727525	1	RETAINER, Chute Ring	
3	727528	1	RING, Chute	
4	1740430	3	BOLT, Carriage, 5/16 - 18 x 3/4	
6	1736069	1	NECK, Chute	
7	722334	1	CHUTE, 22" Upper	
8	722136	1	KNOB, Wing	
9	725331	5	WASHER	
10	1742155	1	LOCKWASHER, Shakeproof	
11	725408	6	LOCKNUT, Hex, 5/16 - 18	
12	1742154	1	BOLT, Carriage, 5/16 - 18	
13	1742157	1	BOLT, Upper Chute	
14	1740431	5	WASHER, Flat, 11/16	
15	1740432	4	NUT, Nylock, 5/16-18	
16	1736382	1	CHUTE, Lower	
18	722073	1	GEAR, 9-Tooth	
19	723283	8	SCREW, 1/4 - 14 x 3/4	
20	7091135	1	NUT, Push	
21	1714084	1	KNOB, Sleeve	
23	1733369	1	CRANK, Chute Rotation	
24	1720576	1	HANDLE, Chute Rotator, Lower	
25	722139	2	PIN, Hair	
26	1741997	1	YOKE ASSEMBLY, Adapter	
27	724605	1	PIN, Cotter, .5	
28	724564	1	PIN, Universal Joint	
29	724579	1	PIN, Clevis	
30	724565	1	HOUSING, Universal	
31	722322	1	ROD, Lower Crank	
32	723010	9	SCREW, 1/4 - 20 x 3/4	
33	722315	1	BLADE, Scraper	
34	722398	3	LOCKNUT, Hex, 1/4 - 20	
35	1734321	1	PLATE, Reinforcement	
36	1740346	1	CLIP, Hairpin, 3/32 x 1-5/8"	
37	1741504	4	SCREW, 10-32 x 3/4	
38	1740398	1	SKID SHOE, RH	
39	1740397	1	SKID SHOE, LH	

Footnotes:

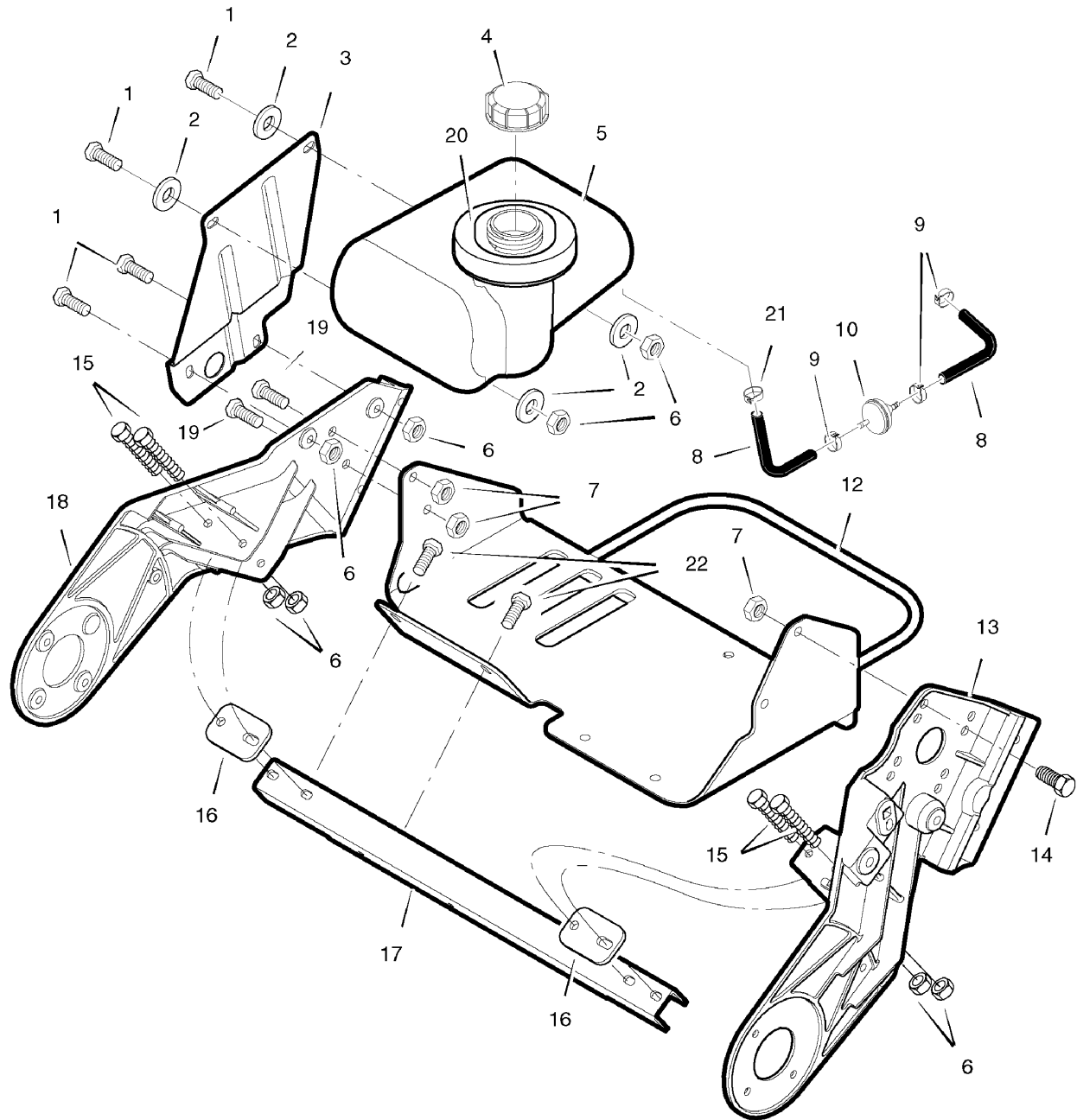


Chute System Group

Item	Part No	Qty	Description	Note
40	1740382	4	NUT, Nylock, 10-32	
41	1740347	1	PIN, Spring, 5/32 x 1"	
42	1720577	1	SPLICE, Chute Handle	

Footnotes:

Frame and Fuel Tank Group

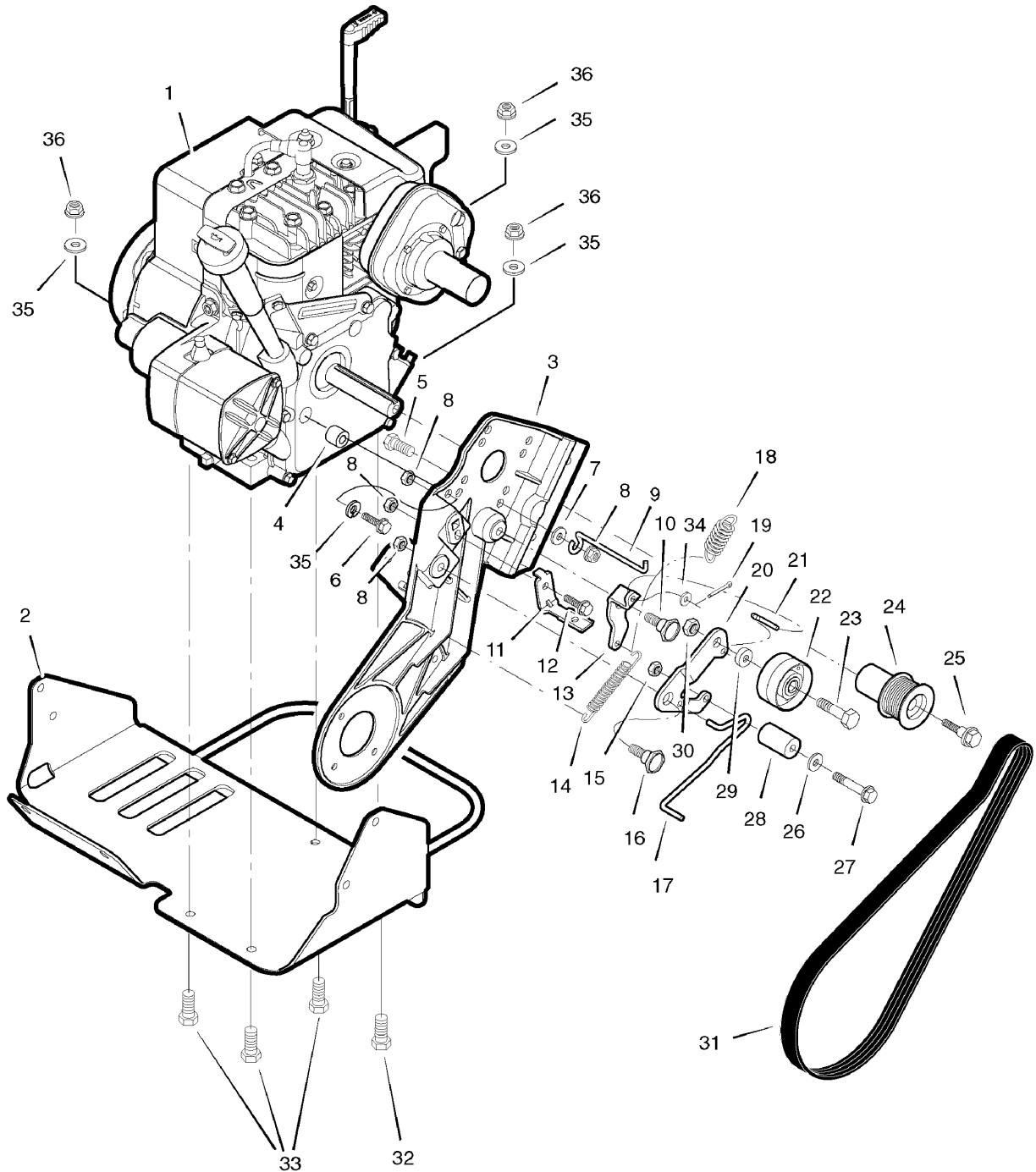


Frame and Fuel Tank Group

Item	Part No	Qty	Description	Note
1	723010	9	SCREW, 1/4 - 20 x 3/4	
2	725330	18	WASHER	
3	1741771H	1	BRACKET, Fuel Tank	
4	1715917	1	CAP, Fuel Tank	
5	1716634	1	TANK, Fuel	
6	725429	20	NUT, Hex 1/4 - 20	
7	725408	6	NUT, Hex 5/16 - 18	
8	7200111	1	HOSE, Fuel Line, Low Perm, 9"	(Cut to length)
9	723462	1	CLAMP, Fuel Line	
10	7014359	1	* FILTER, Fuel Line (B&S #298090S)	or 722264
12	1741989H	1	CRADLE ASSEMBLY, Engine	
13	722321	1	FRAME, L.H.	
14	727291	1	SCREW, 5/16-18 x 5/8	
15	727940	5	SCREW, 1/4 - 20 x 2	
16	727517	1	PLATE, Mounting Support	
17	722305	1	SUPPORT, Frame	
18	1741988A	1	FRAME, R.H.	
19	722633	2	SCREW, 5/16-18 x 3/4	
20	1740032	1	RING, Foam	
21	724068	1	CLAMP, Fuel Line	
22	723210	2	SCREW, 1/4 - 20 x 5/8	

Footnotes:

Note* See your local Briggs & Stratton distributor for parts and service.

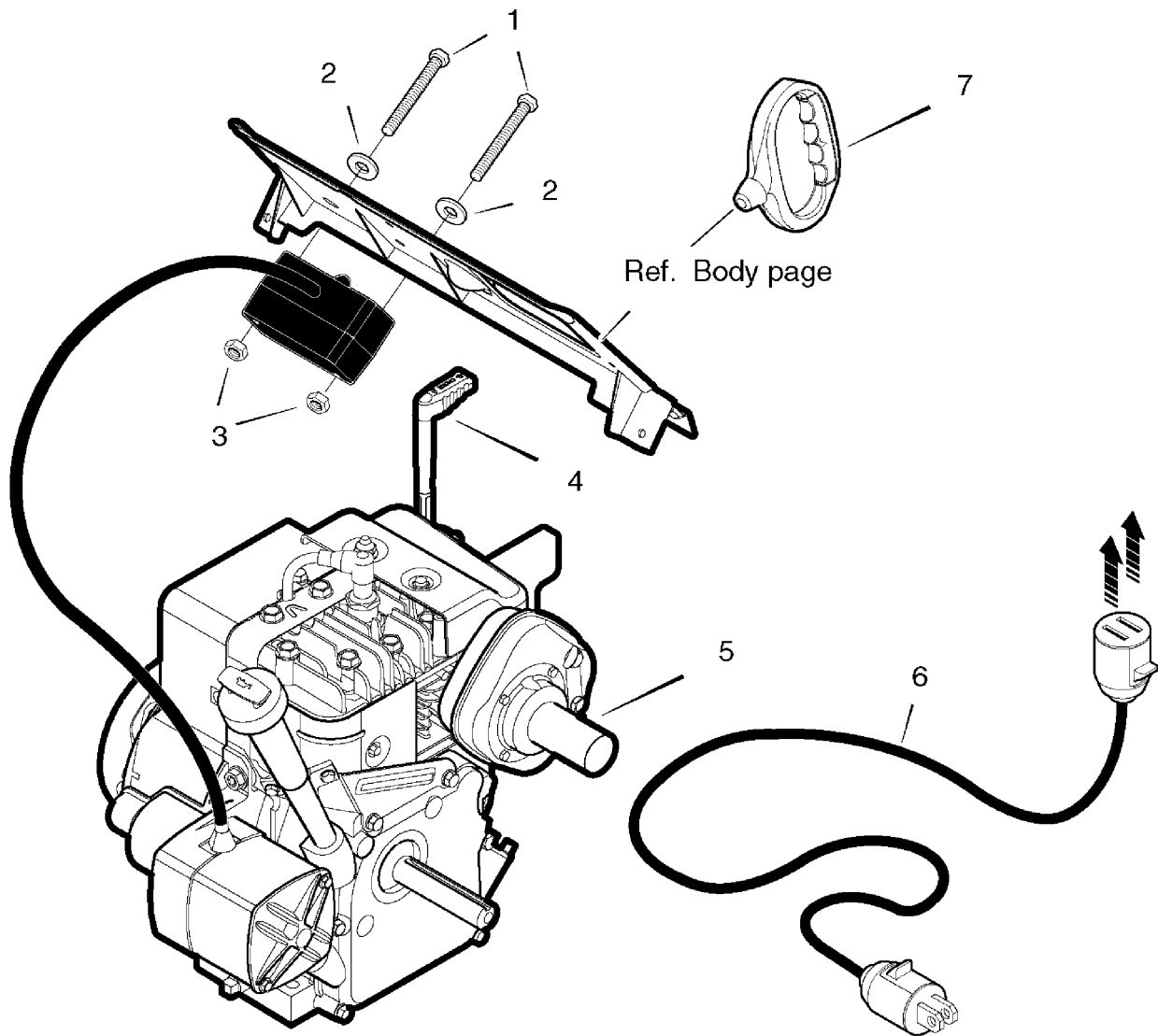


Engine Drive System Group

Item	Part No	Qty	Description	Note
1	----	1	* ENGINE, 5.25GT 4CY B&S Electric Start Mod. 09A413-0202-E1	(Domestic Only)
1	----	1	* ENGINE, 5.25GT 4CY B&S Electric Start Mod. 09A413-0203-E1	(CE/Export Only)
2	1741989H	1	CRADLE ASSEMBLY, Engine	
3	722321	1	FRAME, L.H.	
4	722360	1	ANTI-VIBRATION MOUNT, Engine	
5	727947	1	BOLT, Hex, 5/16 - 18	
6	725244	1	BOLT, Hex, 5/16 - 24	
7	725331	3	WASHER, Flat	
8	725408	6	NUT, Hex Center Lock, 5/16 - 18	
9	723651	1	GUIDE, Belt	
10	723625	2	BOLT	
11	723648	1	PAD, Brake	
12	728095	3	SCREW, 1/4 - 20 x 5/8	
13	727078	1	IDLER, Arm Pivot	
14	723264	1	SPRING	
15	725429	20	NUT, Hex 1/4 - 20	
16	723625	2	BOLT	
17	722046	1	WIRE, Brake	
18	723263	1	SPRING	
19	727500	1	PIN, Cotter	
20	1741727	1	ARM, Idler	
21	723256	1	ROD, Clutch Linkage	
22	724085	1	PULLEY, Idler	
23	1741500	1	SCREW, 3/8 - 16 x 1-5/8	
24	722331	1	PULLEY, Engine	
25	722330	1	BOLT, Engine Pulley	
26	725330	18	WASHER, Flat	
27	727940	5	SCREW, 1/4 - 20 x 2	
28	729335	1	PINCH ROLLER	
29	1741499	1	SPACER, Idler	
30	724840	1	NUT, Hex	
31	723627	1	BELT, Drive	
32	720025	1	BOLT, Hex, 5/16 - 18	
33	724071	3	SCREW, 3/8 - 16 x 1	
34	723979	3	WASHER, Flat	
35	725326	3	LOCKWASHER, Split	
36	725320	6	NUT, 5/16 - 18	

Footnotes:

Note* See your local Briggs & Stratton distributor for parts and service.

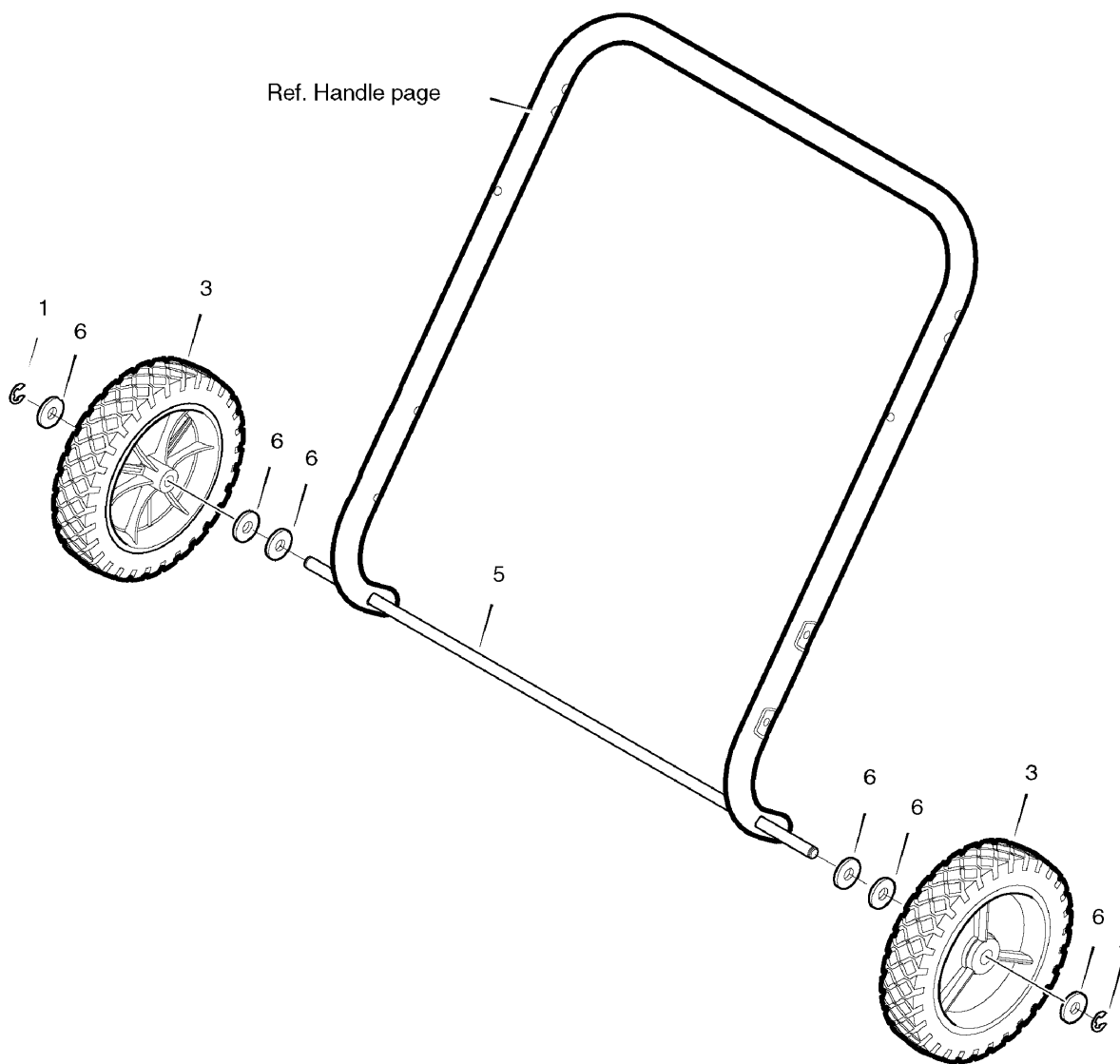


Electric Starter Group

Item	Part No	Qty	Description	Note
1	723237	2	SCREW, # 8 - 32 x 3	
2	723979	2	WASHER	
3	722892	2	NUT, Keps	
4	791534	1	* LEVER, Choke	
5-1	699565	1	* Muffler	
5-2	691880	1	* GASKET, Muffler	
5-3	699554	1	* SCREW, Torx, Socket-Head, Muffler	
5-4	725326	1	WASHER, Split Lock	
5-5	725320	1	NUT, Hex, 5/16 - 18	
5-6	720025	1	BOLT, Hex, 5/16 - 18	
6	724865	1	CORD, Extension	(Domestic Only)
6	728168	1	CORD, Extension	(CE/Export Only)
7	699334	1	* GRIP, Mitten	

Footnotes:

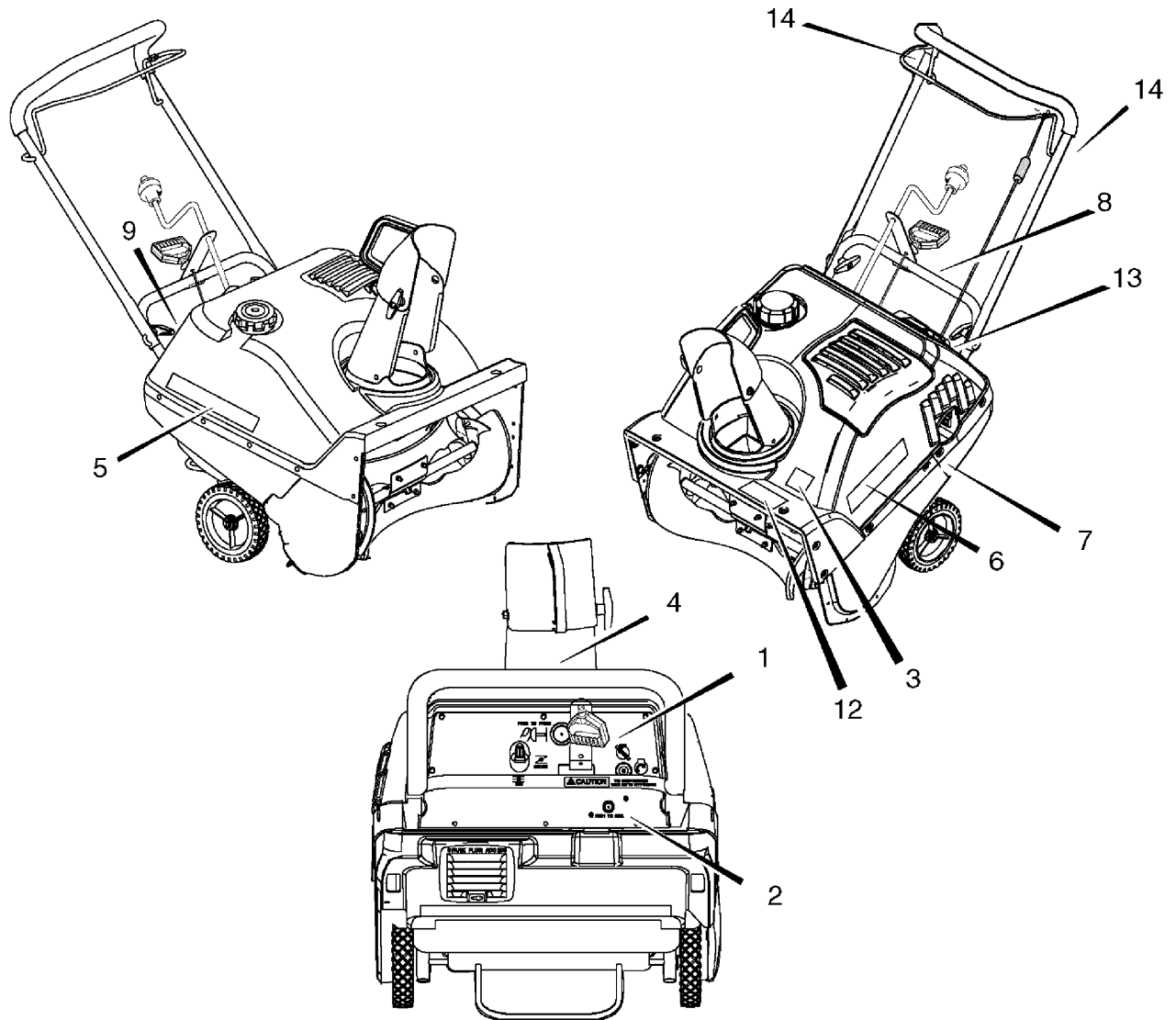
Note* See your local Briggs & Stratton distributor for parts and service.



Wheel Assembly Group

Item	Part No	Qty	Description	Note
1	724559	2	RETAINER, E-Ring	
3	725603	2	WHEEL & TIRE, 7" x 1-1/2"	
5	722328	1	ROD, Axle	
6	724750	6	WASHER	

Footnotes:



Decals Group

Item	Part No	Qty	Description	Note
1	1740428	1	DECAL, Control Panel Electric Start	<i>(Domestic Only)</i>
1	1740400	1	DECAL, Control Panel Electric Start	<i>(CE/Export Only)</i>
2	729693	1	DECAL, Electric Start	
3	725257	1	DECAL, Danger Auger	
4	724267	1	DECAL, Danger Chute	
5	1740367	1	DECAL, 522 Snapper R.H.	
6	1740368	1	DECAL, 522 Snapper L.H.	
7	725241	1	DECAL, Hot Muffler	
8	727378	1	DECAL, Auger Control	
9	1740422	1	DECAL, Choke	
12	1740365	1	DECAL, 522E	
13	1742320	1	DECAL, Warning, Access Cover	
14	1741994	2	DECAL, Handle protector	
15	1742179	1	MANUAL, Operator's	

Footnotes:

Parts Manual for

SNAPPER[®]

5HP 22" SINGLE STAGE SNOW THROWER (2009)

IT IS THE POLICY OF BRIGGS & STRATTON CORP. TO IMPROVE ITS PRODUCTS WHENEVER IT IS POSSIBLE AND PRACTICAL TO DO SO. WE RESERVE THE RIGHT TO MAKE CHANGES OR ADD IMPROVEMENTS AT ANY TIME WITHOUT INCURRING ANY OBLIGATION TO MAKE SUCH CHANGES ON PRODUCTS MANUFACTURED

Briggs & Stratton Yard Power Products Group

535 Macon Road
McDonough, GA, 30253 U.S.A.
800-935-2967

www.snapper.com

Copyright © 2008 Briggs & Stratton Corporation
Milwaukee, WI USA. All Rights Reserved

**Manual No. 7006480
Revision IR, 11/25/200
TP 400-5420-IR-SX-N**

Free Manuals Download Website

<http://myh66.com>

<http://usermanuals.us>

<http://www.somanuals.com>

<http://www.4manuals.cc>

<http://www.manual-lib.com>

<http://www.404manual.com>

<http://www.luxmanual.com>

<http://aubethermostatmanual.com>

Golf course search by state

<http://golfingnear.com>

Email search by domain

<http://emailbydomain.com>

Auto manuals search

<http://auto.somanuals.com>

TV manuals search

<http://tv.somanuals.com>