

OPERATOR'S MANUAL

MOWER DRIVEN
VACUUM COLLECTOR

BLOWER ASSEMBLY
MFG. NO. 1691260

CART COLLECTOR
MFG. NO. 1691187
MFG. NO. 1691320

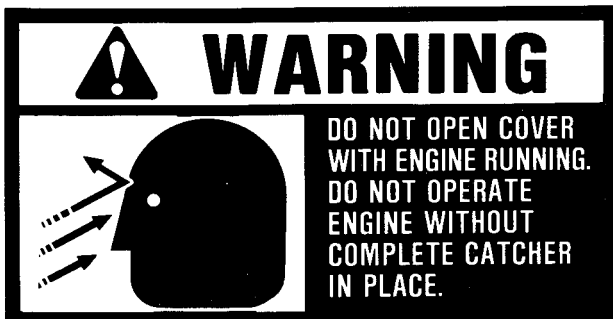
Table of Contents

DECALS
SAFETY RULES
INSTALLATION - BLOWER ASSEMBLY
INSTALLATION - CART COLLECTOR
OPERATION

DECALS



Part No. 1700259. Located on Blower.



Part No. 1676923. Located on Cart
(Installed During Setup).




Part No. 1700346. Located on Bracket
(Installed During Setup).

FILE COPY

FORM - 1679658
PRINTED IN U.S.A.
8610

Safety Rules



Read these safety rules and the safety rules in your Operator's Manual and follow them closely. Failure to obey these rules could result in loss of control of vehicle, severe personal injury to yourself, or damage to property or equipment. The triangle  in the text signifies important cautions or warnings which must be followed.

1. Know the tractor's controls and how to stop quickly. READ THE TRACTOR'S OWNERS MANUAL.
2. Shut the tractor's engine (motor) off before attaching, adjusting, or disconnecting the Cart Collector.
3. Check the mounting bracket to make sure it is bolted tightly to the tractor's drawbar and back plate.
4. Always secure the Cart Collector to the bracket with two clevis pins and two hairpin cotters.
5. Check the latch handle to make sure it is engaged so the cart's box is locked to the frame.
6. Allow room for the Cart Collector when turning and backing. Look behind to make sure the area is clear before backing up.
7. DO NOT turn sharply when the Cart Collector is alongside a building or any object.
8. DO NOT back and turn the Cart Collector in soft ground. When the wheel is buried in dirt, the swivel cannot turn and may be damaged. Always travel forward through soft ground.
9. DO NOT move loads in the Cart Collector in excess of 250 pounds.
10. DO NOT carry passengers in the Cart.
CAUTION:
11. For added tractor stability and to prevent tipping or loss of control when using the Cart Collector:
 - A. DO drive in reduced speed on uneven ground and when turning corners.
 - B. Reduce loads on hillsides. It is recommended that the Cart Collector be kept only half full when negotiating any slopes. Start mowing on slopes when the Cart Collector is empty.
 - C. DO NOT tow the Cart Collector on slopes steeper than 15 degrees. Mow up and down the face of slopes; *never across the face of any slope.*
12. **CAUTION:** Objects may be thrown from mower. For your safety:
 - A. DO NOT open the door of the Cart Collector while the mower blades are turning. Shut off the tractor's engine before opening the door or removing the grass chute.
 - B. Be sure the complete Cart Collector is in place (door closed and grass chute connected) before operating the tractor's mower.
 - C. DO check the cart cover frequently for wear and tear. Replace with new cover for safety protection.
13. For best results when mowing grass: Set the mower to cut from 1 to 2 inches of grass. If grass is exceptionally tall, set your mower as high as possible for first cutting. Lower cutting height at succeeding cuttings until proper height is reached. It may be necessary to mow tall grass at a slower tractor speed.

INSTALLATION - BLOWER ASSEMBLY

1. Remove the right-hand arbor cover (A, figure 1) by removing bolts, washers and nuts in front that hold cover to deck. Also, remove nut (B) and washers that secure rear tab to arbor.
2. Slip mower belt off the right hand pulley. Remove the pulley from the arbor by removing capscrew and washers. Save washers for re-installation. Use wood block to prevent blade from turning.

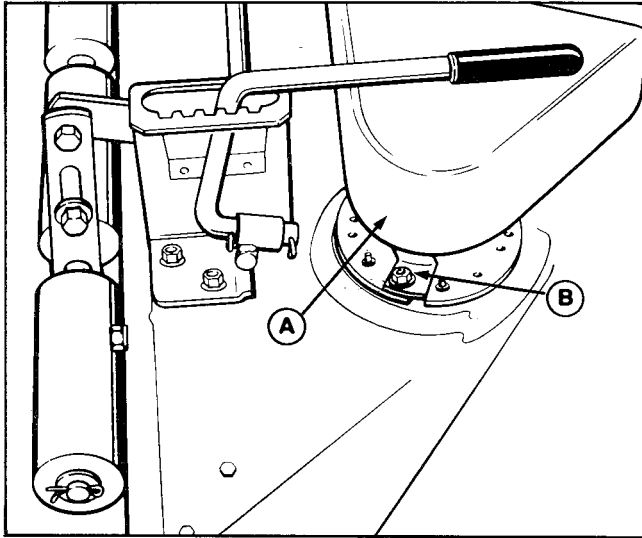


Figure 1.

A. Arbor Cover B. Nut Cover

3. Remove two self-tapping screws from arbor and install two 5/16 - 18 x 1-1/4 capscrews (A, figure 2). Tighten the capscrews.

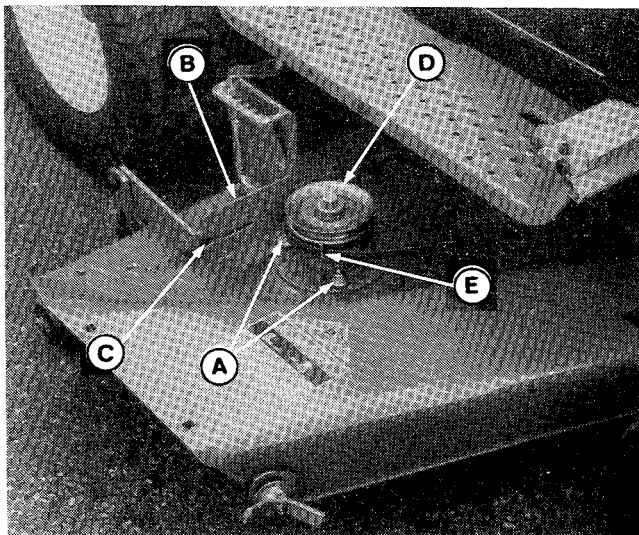


Figure 2.

A. Capscrews D. Arbor Pulley
 B. Arbor Bracket E. Belt Stop, Front
 C. Notch

4. Install the arbor bracket (B, figure 2) as shown in figure 3. Note different holes for 42" and 48" mowers. Note belt stop (C, figure 3) is also installed. (Tighten nut that secures belt stop snug only - will be adjusted later.)

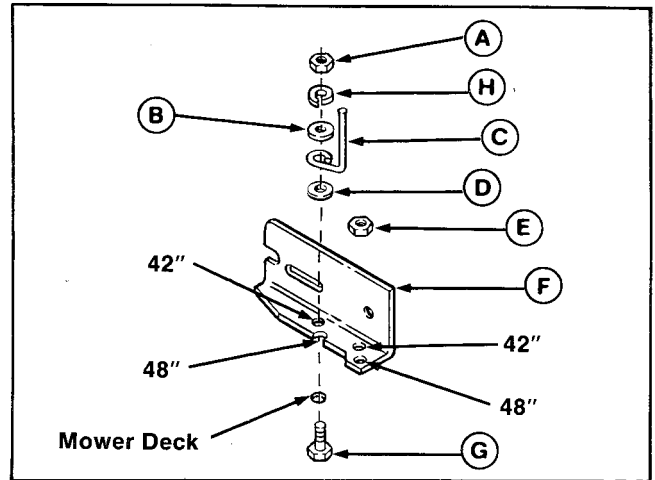


Figure 3.

A. Nut, 5/16 E. Locknut, 5/16
 B. Washer, 5/16 F. Arbor Bracket
 C. Belt Stop G. Capscrew, 5/16 - 18 x 1-1/4
 D. Washer, 5/16 H. Lockwasher, 5/16

5. Install the other belt stop (E, figure 2) onto the other capscrew installed in step 3 with 5/16 washer, 5/16 lockwasher and 5/16 nut (snug).
6. Install new arbor pulley (D, figure 2) with hub down. Use new 7/16 - 14 x 2-1/4 capscrew and washers removed in step 2. Torque to 55 to 60 ft. lbs. Use wood block to prevent blade from turning.
7. Slip the mower drive belt onto the lower groove of the new pulley (D, figure 2). With the belt engaged, adjust the belt stops 1/8" from belt. Tighten the hardware.

NOTE

The belt for the 42" mower is part number 1679717 and is 32" long. The belt for the 48" mower is part number 1678600 and is 33-1/2" long.

8. The blower belt (A, figure 4) is installed for use with 42" mower. For use with 48" mower, replace belt with the other belt shipped loose. Loosen idler pulley belt stop to change belt. Tighten in original position.
9. The baffle (E, figure 4) is installed in the blower housing for use with 42" mower. For use with 48" mower, remove the baffle and install in hole marked 48".

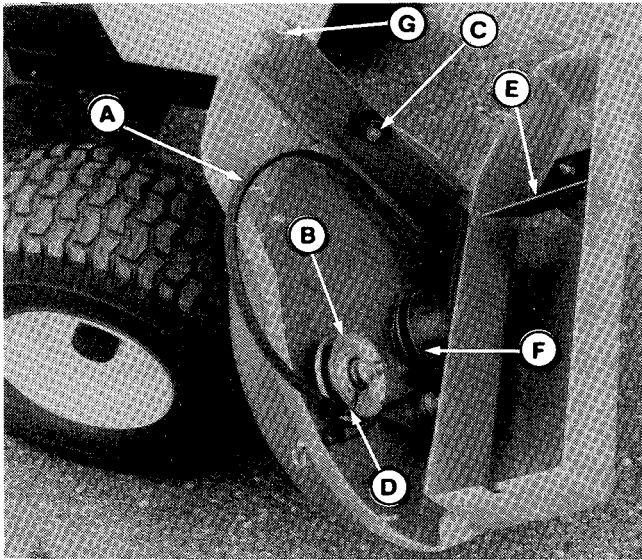


Figure 4.

- | | |
|-----------------------------|-------------------------|
| A. Blower Drive Belt | E. Baffle |
| B. Idler Pulley | F. Driven Pulley |
| C. Spacer | G. Notch |
| D. Belt Guide | |

NOTE

On 42" and 48" mowers, the capscrew installed in next step is used in the hole occupied by a screw held in place by a retaining nut. (This screw secured the right-front corner of the arbor cover.) Remove this screw from mower deck by tapping out with a hammer or prying off the retaining nut.

10. Install the belt cover (B, figure 5) with hardware shown, Items E through M. (Figure 5 shows blower housing but it is not installed at this point of the procedure.)

11. Install wing nut (N, figure 5) as follows:
- Remove existing hardware from front end of stone guard.
 - From inside deck, install new 5/16 - 18 x 2-1/4 carriage bolt (F, figure 6). Then install the cup (A, figure 6), 5/16 lockwasher (B), and 5/16 nut (C). Tighten the nut.
 - Thread the wing nut (D) far enough onto the screw so that the 5/16 locknut (E) can be threaded on flush with the end of screw.

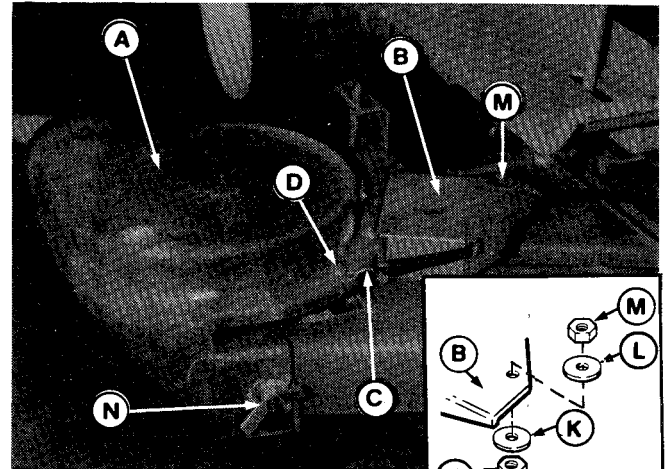


Figure 5.

- | | |
|----------------------------|-------------------------|
| A. Blower Housing | M. Locknut, 5/16 |
| B. Arbor Cover | N. Wing Nut |
| C. Hook | |
| D. Clip | |
| E. Capscrew | |
| F. Washer, 5/16 | |
| G. Washer, 5/16 | |
| H. Spacer | |
| I. Lockwasher, 5/16 | |
| J. Nut, 5/16 | |
| K. Washer, 5/16 | |
| L. Washer, 5/16 | |

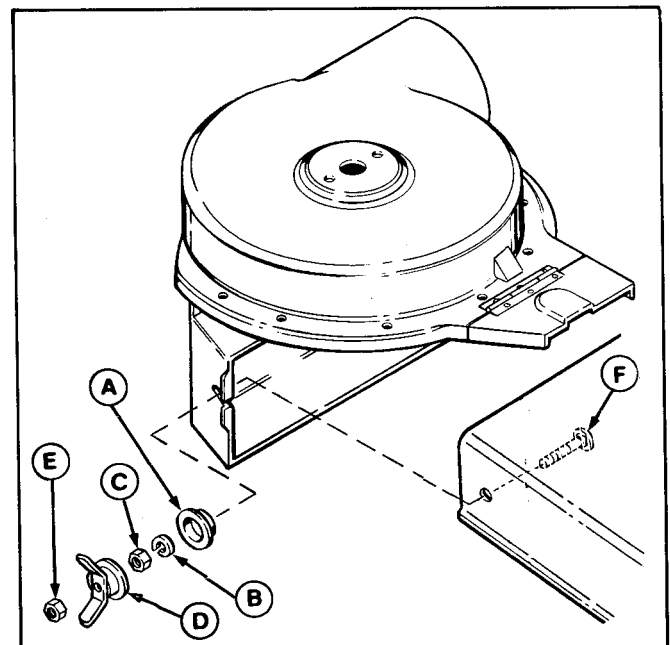
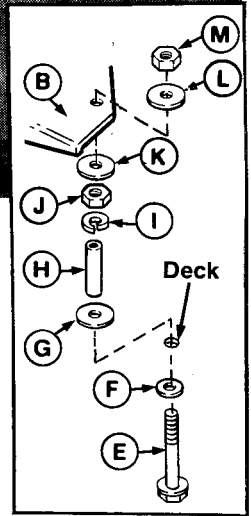


Figure 6.

- | | |
|----------------------------|--------------------------|
| A. Cup | D. Wing Nut |
| B. Lockwasher, 5/16 | E. Lock Nut, 5/16 |
| C. Nut, 5/16 | F. Carriage Bolt |

12. Install the new baffle (A, figure 7) in deck on stone guard using existing hardware. Hardware may be installed with nut to inside or nut to outside.

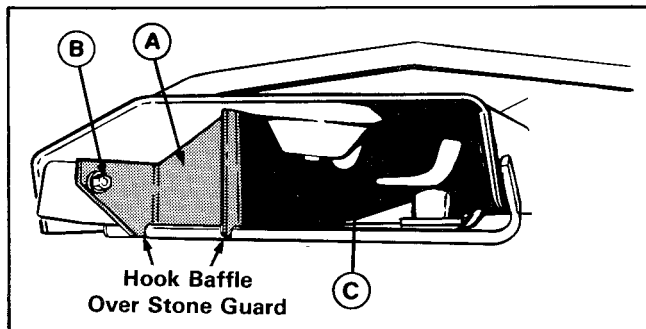


Figure 7.

- A. Baffle**
B. Carriage Bolt
C. Mower Discharge Opening

13. Install the blower assembly as follows:

- a. Pivot cover (B, figure 5) away to expose the arbor.
- b. Align the notch (G, figure 4) with spacer on arbor bracket. Align spacer (C, figure 4) with notch (C, figure 2) on arbor bracket. Slide the assembly into place as shown in Figure 8, while aligning front notch between cup and wing nut (D, figure 6). Tighten wing nut.
- c. Place mower in low cut position. Raise the flap (A, figure 9) and install the blower drive belt (C) in the top groove of the pulley (B). (Pivot cover B, figure 5, away to expose flap.)
- d. Rotate the pivoting cover (B, figure 5) into place and attach the hook (C) to the clip (D) on the housing.

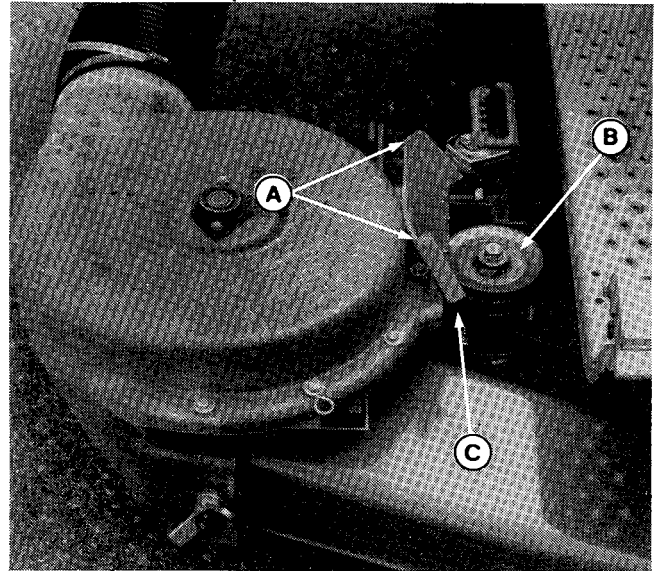


Figure 9.

- A. Flap**
B. Pulley
C. Belt

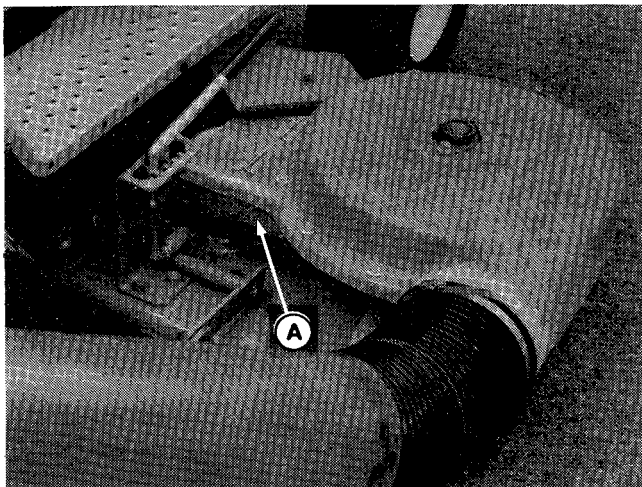


Figure 8.

- A. Arbor Bracket**

INSTALLATION - CART COLLECTOR

ASSEMBLY

1. Remove all parts from inside the cart's box. Open the bag of parts and sort the fasteners into groups for easier assembly of the cart (figure 10).
2. Turn cart box on one side.
 - a. Bolt U-bracket to bottom of box with two 5/16 x 3/4 long round head bolts. Secure with two 5/16 lockwashers and nuts.
 - b. Bolt latch handle to front side of box. Place one 5/16 x 1 long hex bolt with 5/16 flat washer through the inside of the box. Next place a 5/16 flat washer, latch handle, 5/16 flat washer, spring washer (side with grooves on outside), and locknut. Tighten the locknut until the latch handle moves slowly.
3. Bolt four round stakes inside cart's box.
 - a. Align each stake with the two holes at the corner side of the cart. Place two 5/16 x 1-1/2 long hex bolts with 5/16 flat washers through the outside of the cart's box and through the stake.
 - b. Secure with two locknuts on the inside of the box.
 - c. Install the two door hooks when bolting the rear stakes. Each door hook is bolted to the outside of
4. Bolt swivel wheel to the H-frame.
 - a. Place the head of the swivel (end with four slotted holes) inside the H-frame (side with the ends bent upward).
 - b. Align the holes and place four 3/8 x 1 long hex bolts with 3/8 flat washers through the head of the swivel and frame.
 - c. Secure with four lockwashers and nuts.
5. Turn cart's box upside down on four stakes and install H-frame to U-bracket.
 - a. Align the two ends of the H-frame (end with the swivel wheel attached) to the U-bracket and secure with two 1/2 x 1-1/4 long hex bolts and 1/2 locknuts.
 - b. DO NOT over tighten the locknuts. The box pivots at this point for dumping.
6. Turn latch handle to lock the H-frame to the cart's box and turn cart upright. Install the plastic caps over the top of the stakes.

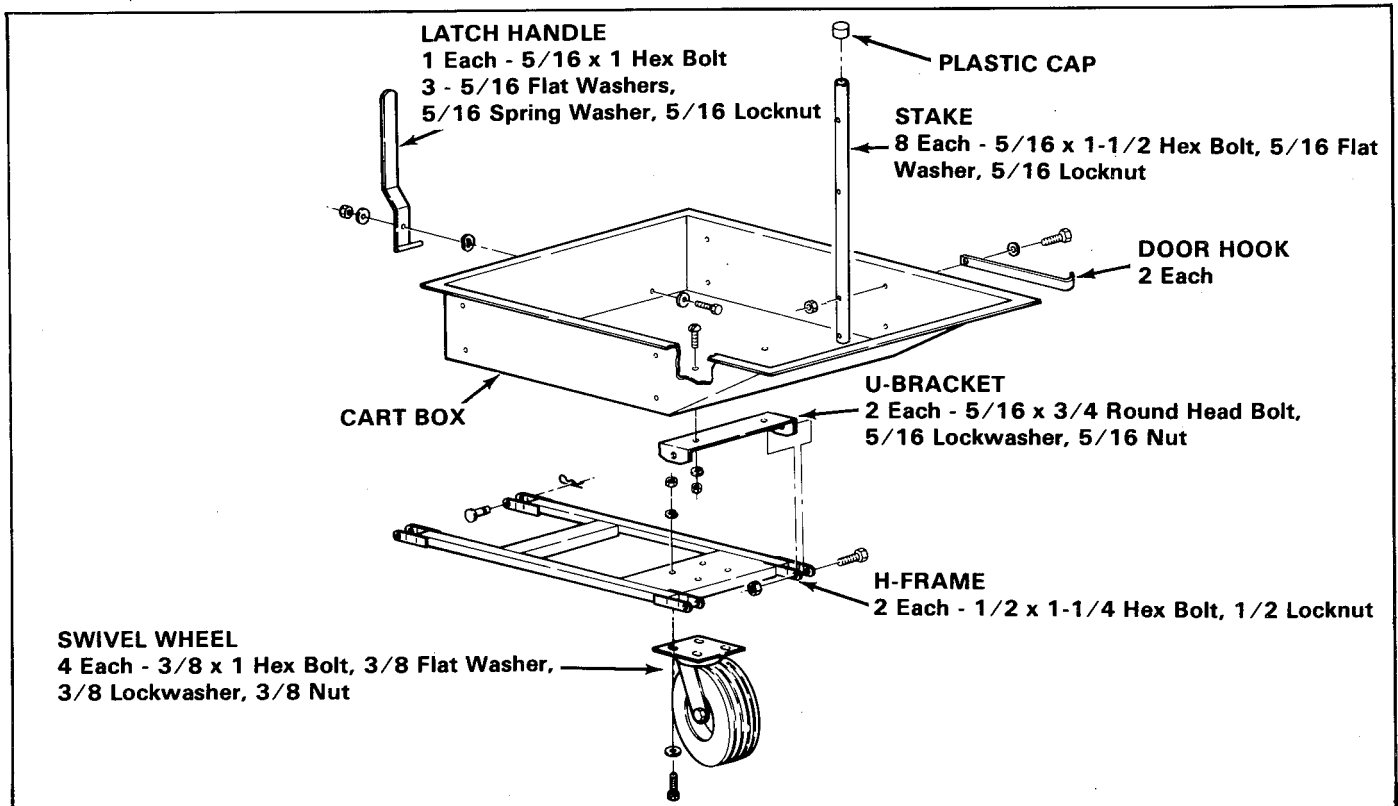


Figure 10.

BRACKET INSTALLATION

The Cart Collector attaches to a mounting bracket, which is bolted to the tractor's back plate. The same bracket is used on the riding mowers and the lawn tractors. Once bolted in place, the bracket never needs to be removed. For lawn tractors, see Section A. For tractors with 3-forward speeds, see Section B.

Section A: Bracket Installation on Lawn Tractor

1. Remove the drawbar plate from the back plate of the lawn tractor.
2. Install the bracket (figure 11) to the back plate through the same holes where the drawbar plate was bolted. Use the three 3/8-16 x 1 hex bolts, lockwashers, and nuts (A, figure 12).

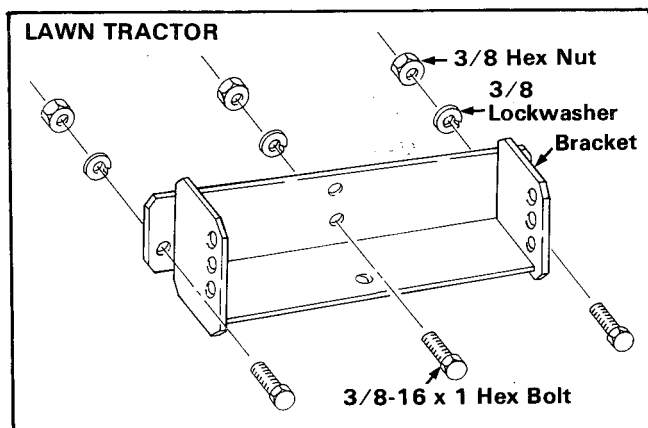


Figure 11.

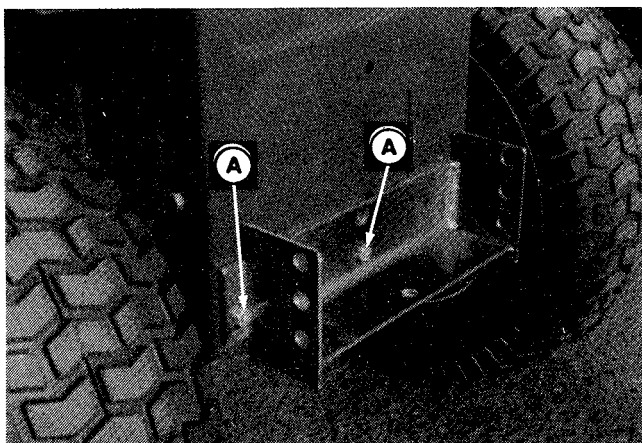


Figure 12.

A. Hardware

Section B: Bracket Installation on Tractor with 3 Forward Speeds and 23" Diameter Rear Tires.

1. Install the bracket to the back plate as shown in figure 13, using three 3/8-16 x 1 hex bolts, lockwashers and nuts. In the top, center hole (A) install a 3/8 x 3/4 bolt and 3/8 locknut to prevent bracket being used as a drawbar.



CAUTION

Do not remove the existing drawbar. Do not use the bracket as a drawbar.

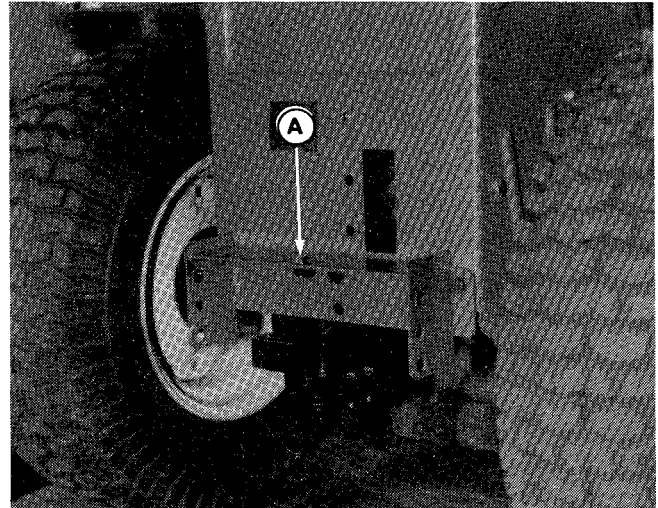


Figure 13.

A. Top, Center Hole

2. Install the decal, part number 1700346 (see first page) to top of bracket beside hole (A, figure 13).

ASSEMBLY OF WOOD SIDES AND CART COVER

1. Assemble the wood sides and metal collar to the cart's metal stakes as shown in figure 14. Apply warning decal (Part No. 1676923) and identification plate to front of cart as shown in figure 14 as follows. Make sure surface is clean. Remove backing paper and tack edge of decal in position. Then apply with heel of hand, smoothing out bubbles. The edge of a ruler can also be used.



WARNING

It is important for the operator's safety, that the warning decal be installed.

2. Assemble cart cover over the top of cart.
 - a. Unfold the cover and place the side of the cover with the window over the front of the cart first. Align the corners above the window side over each of the two front stakes.
 - b. Pull the elastic bottom of the cover over the front edge of the cart. Next pull the cover back to the ends of the wood sides and slide the pockets (at the end of the cover) over the ends of the two wood boards on each side. (See figure 15).
 - c. Pull the elastic bottom of the cover over the side edges of the cart and secure the two ends together

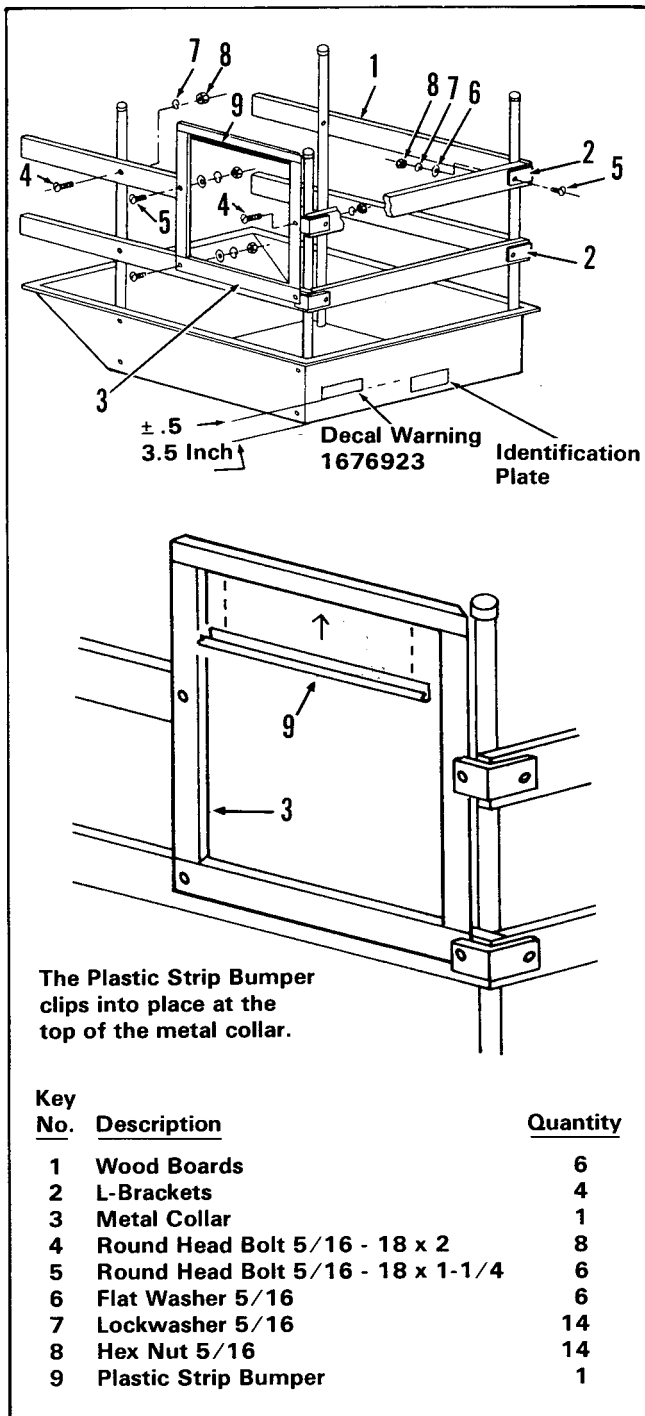


Figure 14.

at the back with a 19 inch rubber strap through the eyelets. Be sure that the door hook protrudes out from the end of the cover at point A. (See figure 16).

- d. To close the door: pull the elastic door over the back edge of the cart and hook the corners around each side over the door hook. To open door: grasp the bottom two corners on the door and raise over the top of the four stakes. Hook the door over the two front stakes to store it out of the way.



Figure 15.

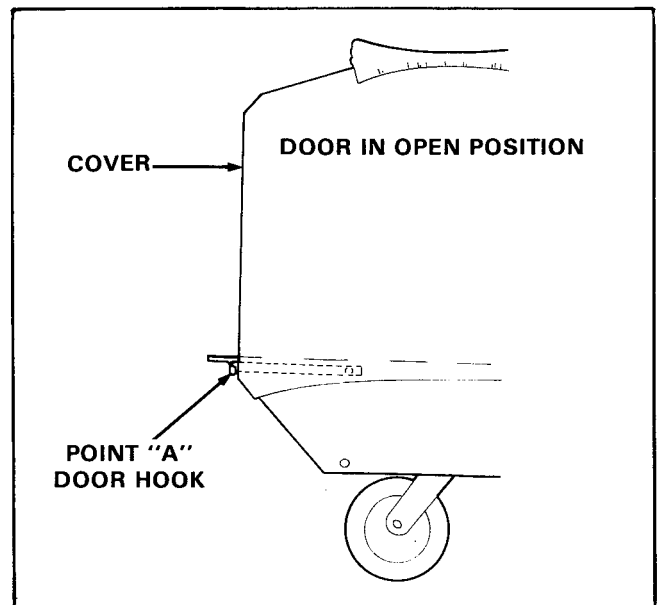


Figure 16.

INSTALLATION OF TRACTOR'S GRASS CHUTE TO CART COLLECTOR

1. Attach the hose to the housing with clamp (A, figure 17) and tighten with a screwdriver or wrench.

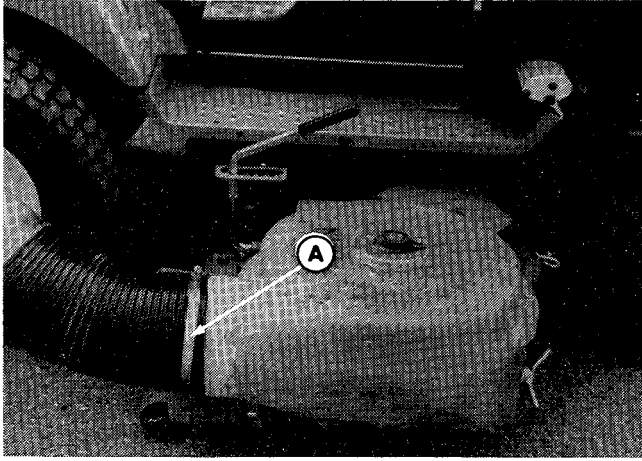


Figure 17.

A. Clamp

2. Insert the elbow (E, figure 18) onto the hose.

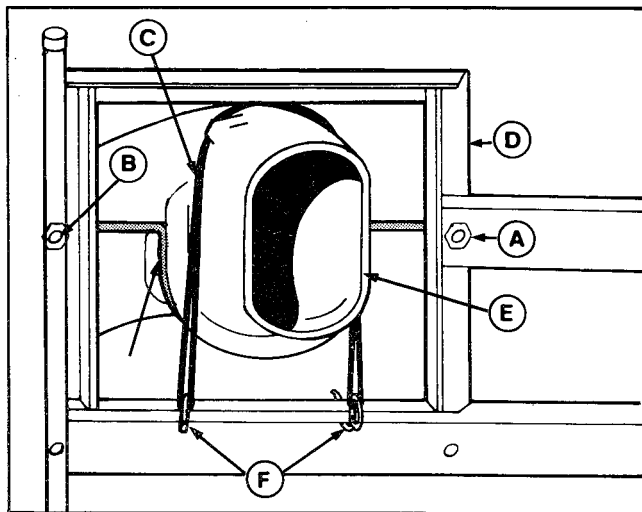


Figure 18.

- A. Capscrew, 5/16 - 18 x 1-1/2 & Flat Washer
- B. Capscrew, 5/16 - 18 x 2-1/2 & Flat Washer
- C. Stretch Cord
- D. Metal Collar
- E. Elbow
- F. Hooks

3. Attach the collar (D, figure 18) to the cart. Remove existing capscrews (A and B). Use new 5/16-18 x 1-1/2 capscrew and flat washer at "A". Use new 5/16-18 x 2-1/2 capscrew and flat washer at "B". Secure with existing washers and nuts.
4. Align the elbow with the collar. Wrap the stretch cord (C) over the elbow (E) and hook to the frame to secure the elbow in position.

OPERATION

⚠ SHUT THE TRACTOR'S ENGINE OFF BEFORE ATTACHING, ADJUSTING, OR DISCONNECTING THE CART COLLECTOR. BE SURE THE COMPLETE CART COLLECTOR IS IN PLACE (DOOR CLOSED AND GRASS CHUTE CONNECTED) BEFORE OPERATING THE TRACTOR'S MOWER.

⚠ DO NOT TOW THE CART COLLECTOR ON SLOPES GREATER THAN 15 DEGREES. MOW UP AND DOWN THE FACE OF SLOPES; NEVER ACROSS THE FACE OF ANY SLOPE.

1. Attaching:

- a. Attach the cart to the tractor by aligning the two ends of the H-frame to the holes in the bracket (figure 19). Use the holes that will make the cart level. Secure the cart to the bracket with two clevis pins and hairpin cotters.
- b. Attach the cart to the bracket at points "B" or "C".

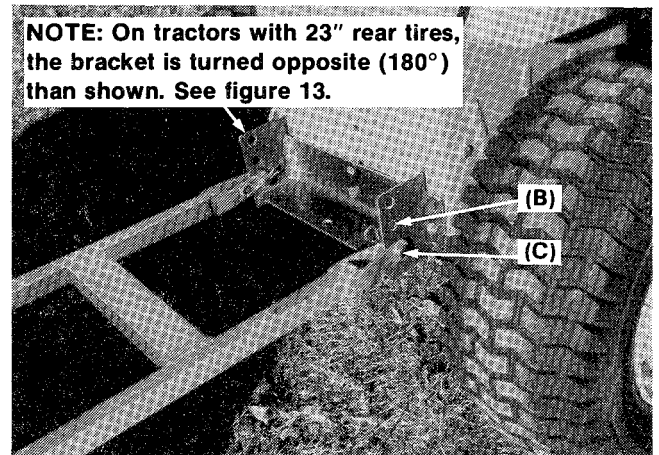


Figure 19.

2. Dumping:

- a. Back the tractor to the desired place for unloading. Set parking brake. Shut the tractor's engine off before getting off the tractor seat.
- b. Open the door of the Cart Collector. Raise and hook the door over the four stakes.
- c. Lift the elbow off the clear plastic tube.
- d. Push the latch handle to unlock the cart's box and lift the front-end of the box to dump the load (figure 20).
- e. If there is no place to dump the load, the grass can be pulled from the cart into lawn bags or the grass can be dumped on a tarp for throwing into a trailer or truck.

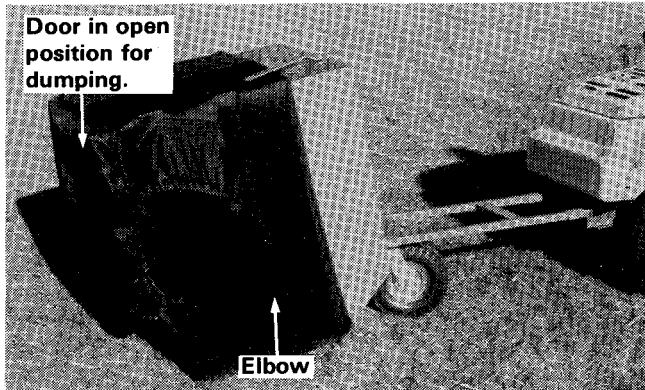


Figure 20.

3. Hauling:

- a. The Cart Collector's cover can be left on the cart when the cart is being used to haul other loads. Just raise the door and hook it over the four stakes to store it out of the way.

CAUTION

Do not haul sharp objects that may puncture the cover.

- b. The cover can be removed entirely from the cart. Unhook the rubber strap at the back of the cart and pull the pockets at the end of the cover away from the ends of the boards before lifting the entire cover off the cart (figure 21).
- c. Once the cover is removed, the cart can be used for hauling bulky loads. Lawn bags can be hooked over the top of the stakes for easy filling.

CAUTION

Be sure to store the cover in a safe place where it cannot be torn.

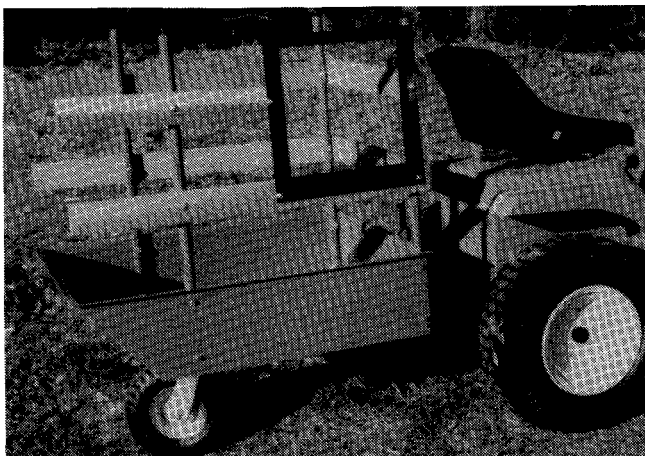


Figure 21.

OPERATING WITHOUT COLLECTION SYSTEM

WARNING

When blower assembly is removed from mower deck, the deflector must be installed as described in this section.

To operate without the grass collection system, remove the blower assembly by removing the front wing nut and cup washer, and slipping belt off of the pulley. Reinstall the mower deflector (figure 22) and the original hardware. Install two carriage bolts from bottom and install washers and nuts (A). Install the front washers (B) and nut (C). Be sure flat washers and lockwashers are used at all three locations.

Pivot the cover (A, figure 23) over the arbor pulley and hook into position.

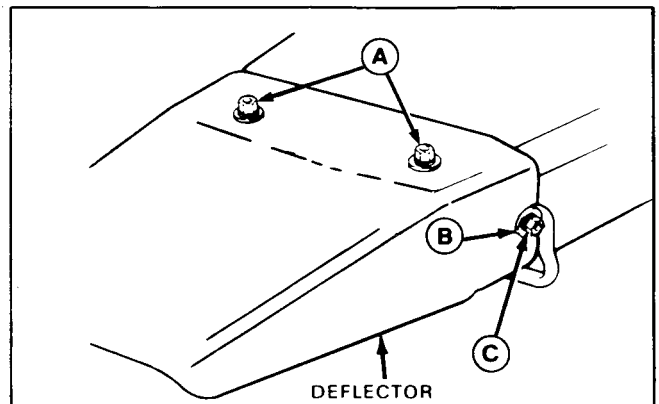


Figure 22.

- A. Nut
- B. Washer
- C. Nut

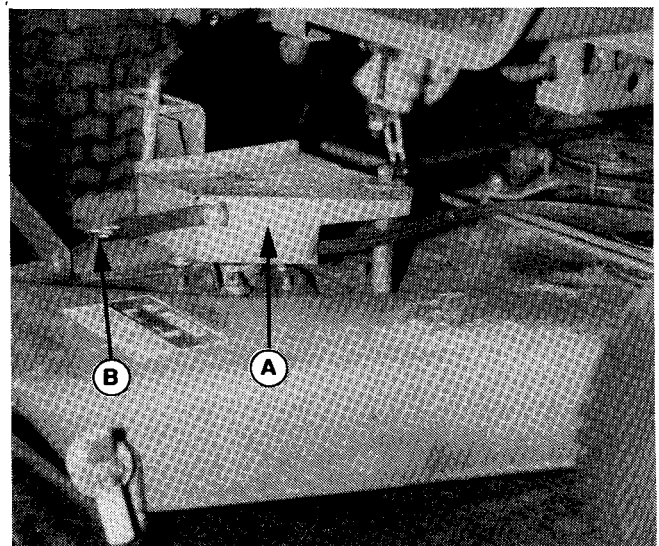


Figure 23.

- A. Cover
- B. Hook

Free Manuals Download Website

<http://myh66.com>

<http://usermanuals.us>

<http://www.somanuals.com>

<http://www.4manuals.cc>

<http://www.manual-lib.com>

<http://www.404manual.com>

<http://www.luxmanual.com>

<http://aubethermostatmanual.com>

Golf course search by state

<http://golfingnear.com>

Email search by domain

<http://emailbydomain.com>

Auto manuals search

<http://auto.somanuals.com>

TV manuals search

<http://tv.somanuals.com>