

SONY®

COLOR VIDEO CAMERA

BVP-E

You can find the Operation Manual in English, French, German, Italian and Spanish (all manuals are packed together). For details on the manuals supplied with the CD-ROM Manual" on page 4.

Power HAD



M MORG

TM

OPERATION MANUAL English
1st Edition

WARNING

To prevent fire or shock hazard, do not expose the unit to rain or moisture.

To avoid electrical shock, do not open the cabinet. Refer servicing to qualified personnel only.

For the customers in the USA

This equipment has been tested and found to comply with the limits for a Class A digital device, pursuant to Part 15 of the FCC Rules. These limits are designed to provide reasonable protection against harmful interference when the equipment is operated in a commercial environment. This equipment generates, uses, and can radiate radio frequency energy and, if not installed and used in accordance with the instruction manual, may cause harmful interference to radio communications. Operation of this equipment in a residential area is likely to cause harmful interference in which case the user will be required to correct the interference at his own expense.

You are cautioned that any changes or modifications not expressly approved in this manual could void your authority to operate this equipment.

The shielded interface cable recommended in this manual must be used with this equipment in order to comply with the limits for a digital device pursuant to Subpart B of Part 15 of FCC Rules.

For the customers in Europe

This product with the CE marking complies with the EMC Directive (89/336/EEC) issued by the Commission of the European Community.

Compliance with this directive implies conformity to the following European standards:

- EN55103-1: Electromagnetic Interference (Emission)
- EN55103-2: Electromagnetic Susceptibility (Immunity)

This product is intended for use in the following Electromagnetic Environment(s):

E1 (residential), E2 (commercial and light industrial), E3 (urban outdoors) and E4 (controlled EMC environment, ex. TV studio).

Pour les clients européens

Ce produit portant la marque CE est conforme à la Directive sur la compatibilité électromagnétique (EMC) (89/336/CEE) émise par la Commission de la Communauté européenne.

La conformité à cette directive implique la conformité aux normes européennes suivantes :

- EN55103-1: Interférences électromagnétiques (émission)
- EN55103-2: Sensibilité électromagnétique (immunité)

Ce produit est prévu pour être utilisé dans les environnements électromagnétiques suivants:

E1 (résidentiel), E2 (commercial et industrie légère), E3 (urbain extérieur) et E4 (environnement EMC contrôlé, ex. studio de télévision).

Für Kunden in Europa

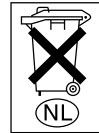
Dieses Produkt besitzt die CE-Kennzeichnung und erfüllt die EMV-Richtlinie (89/336/EWG) der EG-Kommission.

Angewandte Normen:

- EN55103-1: Elektromagnetische Verträglichkeit (Störaussendung)
- EN55103-2: Elektromagnetische Verträglichkeit (Störfestigkeit),

für die folgenden elektromagnetischen Umgebungen: E1 (Wohnbereich), E2 (kommerzieller und in beschränktem Maße industrieller Bereich), E3 (Stadtbereich im Freien) und E4 (kontrollierter EMV-Bereich, z.B. Fernsehstudio)

Voor de Klanten in Nederland



Gooi de batterij niet weg, maar lever hem in als KCA.

Note on laser beams

Laser beams may damage the CCDs. If you shoot a scene that includes a laser beam, be careful not to let a laser beam become directed into the lens of the camera.

Table of Contents

Using the CD-ROM Manual	4
CD-ROM System Requirements	4
Preparations	4
Reading the CD-ROM Manual	4
Overview	5
Features.....	5
Optional Accessories	7
Location and Function of Parts	8
Side Panels.....	8
Front Panel.....	10
Setting Up the Camera	12
Attaching a Lens to the Camera.....	12
Attaching a 1.5-type/2-type Viewfinder	13
Attaching the Camera Adaptor or Wireless Camera Transmitter	15
Adjusting the Shoulder Pad Position	16
Mounting the Camera to a Tripod	17
Using a Memory Stick	18
Notes on Memory Stick.....	18
Display on the Viewfinder Screen	20
Menu Operation	21
Displaying the Menu.....	21
Displaying the TOP MENU.....	21
Selecting a Menu Page From the CONTENTS Screen	21
Setting the Menu.....	21
Using the USER Menu	22
MENU Items.....	25
Specifications	33

Using the CD-ROM Manual

The supplied CD-ROM includes versions of the Operation Manual for the BVP-E30 series (Japanese, English, French, German, Italian, and Spanish versions).

CD-ROM System Requirements

The following are required to access the supplied CD-ROM disc.

- Computer: PC with Intel Pentium CPU
 - Installed memory: 64 MB or more
 - CD-ROM drive: ×8 or faster
- Monitor: Monitor supporting resolution of 800 × 600 or higher
- Operating system: Microsoft Windows Millennium Edition, Windows 2000 Service Pack 2, Windows XP Professional or Windows XP Home Edition

When these requirements are not met, access to the CD-ROM disc may be slow, or not possible at all.

Preparations

One of the following programs must be installed on your computer in order to use the operation manuals contained on the CD-ROM disc.

- Adobe Acrobat Reader Version 4.0 or higher
- Adobe Reader Version 6.0 or higher

Note

If Adobe Reader is not installed, you can download it from the following URL:

<http://www.adobe.com/>

Reading the CD-ROM Manual

To read the operation manual contained on the CD-ROM disc, do the following:

- 1 Insert the CD-ROM disc in your CD-ROM drive.

A cover page appears automatically in your browser. If it does not appear automatically in the browser, double-click the index.htm file on the CD-ROM disc.
- 2 Select and click the operation manual that you want to read.

This opens the PDF file of the operation manual.

Note

If you lose the CD-ROM disc or become unable to read its content, for example because of a hardware failure, you can do one of the following:

- You can purchase a new CD-ROM disc to replace one that has been lost or damaged. Contact your Sony service representative.
- You can purchase printed versions of the operation manuals. Contact your Sony service representative. When ordering, be sure to specify the part number of the manual you want.
 - 3-854-246-0x (Japanese version for NTSC models only)
 - 3-854-247-0x (English version)
 - 3-854-248-0x (French version)
 - 3-854-249-0x (German version)
 - 3-854-250-0x (Italian version)
 - 3-854-251-0x (Spanish version)
- Intel and Pentium are registered trademarks of Intel Corporation or its subsidiaries in the United States and other countries.
- Microsoft and Windows are registered trademarks of Microsoft Corporation in the United States and/or other countries.
- Adobe, Acrobat, and Adobe Reader are trademarks of Adobe Systems Incorporated in the United States and/or other countries.

Overview

The BVP-E30-series Color Video Camera is a digital portable camera with functions and performance suitable for use in a studio as well as for outside broadcast applications. The BVP-E30 (NTSC model) and BVP-E30P (PAL model) are designed only for the aspect ratio 4:3. With the BVP-E30WS (NTSC model) and BVP-E30WSP (PAL model), the aspect ratio is switchable between 4:3 and 16:9.

By using the BVP-E30-series camera with a camera adaptor (CA), camera control unit (CCU), video selector (VCS), master setup unit (MSU), remote control panel (RCP), etc., a wide variety of systems from a basic to a large system can be configured for your special purposes. While based on Sony's long-cultivated technologies for the BVP-series camera for broadcasting use, the BVP-E30-series camera is a new-generation camera with advanced performance, functions, and quality, achieved by adopting a Mega Pixel CCD, the newly developed 8-million-gate process LSI, and excellent circuit and mounting technologies.

Features

High quality

The newly developed Mega Pixel Power HAD EX CCD assures higher signal-to-noise ratio, higher sensitivity, broader dynamic range, and less smear. In addition, by adopting the double-density CCD, Progressive Scan (PsF) is also possible.

High S/N

A higher signal-to-noise ratio, -67 dB (typical) for NTSC, and -65 dB (typical) for PAL, has been achieved as a result of the newly adopted Power HAD EX CCD and excellent circuit and mounting technologies.

High sensitivity

A sensitivity of F11 at 2,000 lux (typical) has been achieved. When the video gain is raised by 42 dB, a video level of 100% is obtained with minimum subject illuminance of 0.25 lux.

Wide dynamic range

With 600% dynamic range assured, capabilities such as knee saturation and adaptive knee enable reproducing high-luminance subjects clearly.

Lower smear

Thanks to the Power HAD EX technology, the smear level has been largely improved by about 25 dB (compared with the Sony IT POWER HAD CCD) to -145 dB or less.

Progressive Scan (PsF)

By adopting the double-density CCD, Progressive Scan (PsF) is possible. Progressive Scan signals from the CCD are converted to and output as interlaced signals by the frame memory (Segment Frame system), thus enabling handling of a Progressive Scan system without changing the existing system.

Versatility, high reliability

Thanks to the newly developed 8-million-gate large-processing LSI using 0.18-micron processing technology, most of signal processing of camera is handled by a single chip, achieving a drastic reduction in power consumption, as well as variety of functions, higher picture quality, and higher reliability.

Cross-color suppression

A high-performance cross-color-suppression circuit built into this camera suppresses cross colors in composite video signals without degrading the resolution. As the circuit processes signals as RGB component signals, this function is also effective for CCU output and digital component output.

Low key saturation

Coloring in dark parts, in which colors are difficult to distinguish, can be controlled.

Selectable gamma curves

The gamma curve is selectable from among various options.

Digital encoder

The digitalized encoder circuits, converged into a single LSI chip, produce accurate and stable signal output.

2D-black-shading/3D-white-shading/dynamic-shading compensation functions

High-accuracy shading compensation for both dark and bright parts allows pictures with less shading. The dynamic-shading function is activated only when a lens allowing this function is attached.

Knee saturation/adaptive saturation

Greatly improved knee saturation and adaptive saturation enable reproducing high-luminance subjects clearly and gaining pictures with a wider dynamic range.

Electronic soft focus

Compared with the conventional detail compensation, which could only sharpen images, the electronic soft-focus

mechanism adopted in this camera also allows you to soften images.

Triple-skin-tone-detail control

Skin-tone detail correction that allows detail to be set independently for each of the three separate color ranges is provided. The combination of the skin-tone detail control and the above-mentioned electronic soft focus results in more effective detail compensation.

16-axis multimatrix hue control

Hue is divided into 16 blocks, and their phases and saturations can be controlled independently. Thus, subtle hue adjustment in cases where as hue adjustment is required among various cameras, can be easily made.

NAM V DTL (vertical detail generation mode)

Vertical detail signals are made for R, G, and B signals individually, and the largest signal among them is selected as the final V-detail signal. This method, compared with the conventional simple addition method, allows you to improve resolution with a highly saturated subject. The conventional V-detail generation method can also be selected, if necessary.

Slow-Shutter mode

By controlling CCD reading, shooting in Slow-Shutter mode of 7 frames at maximum is enabled.

Excellent operability

Memory Stick and file system

In addition to the conventional reference file, scene file, and lens file, the operator file is newly adopted. In the operator file, data such as switch settings of the camera and customized sets of menu selections are stored. File data are stored in the **Memory Stick**, and can be quickly called from it.

USER Menu and OPERATION Menu

The USER Menu, which allows you to place only menu items of your choice in any order, and the OPERATION Menu, which allows you to select items to be displayed in the viewfinder and to assign switch settings, are provided.

PAINT Menu and MAINTENANCE Menu

Adjustment and maintenance of the camera can be made by menu operation.

Assignable button and Handle buttons

To the Assignable button at the top of the side panel, any function among 5600K, ATW, and CROP (only for the BVP-E30WS/E30WSP) can be assigned.

To the two handle buttons located on the handle of the camera, any two functions among return video, intercom, and zoom control of the lens (only for lenses with zoom control function) can be assigned.

Electronic color-temperature conversion (5600K)

Color-temperature conversion at 5600K is electronically conducted. Thus, instead of an optical color-temperature conversion filter, the number of ND filters can be increased.

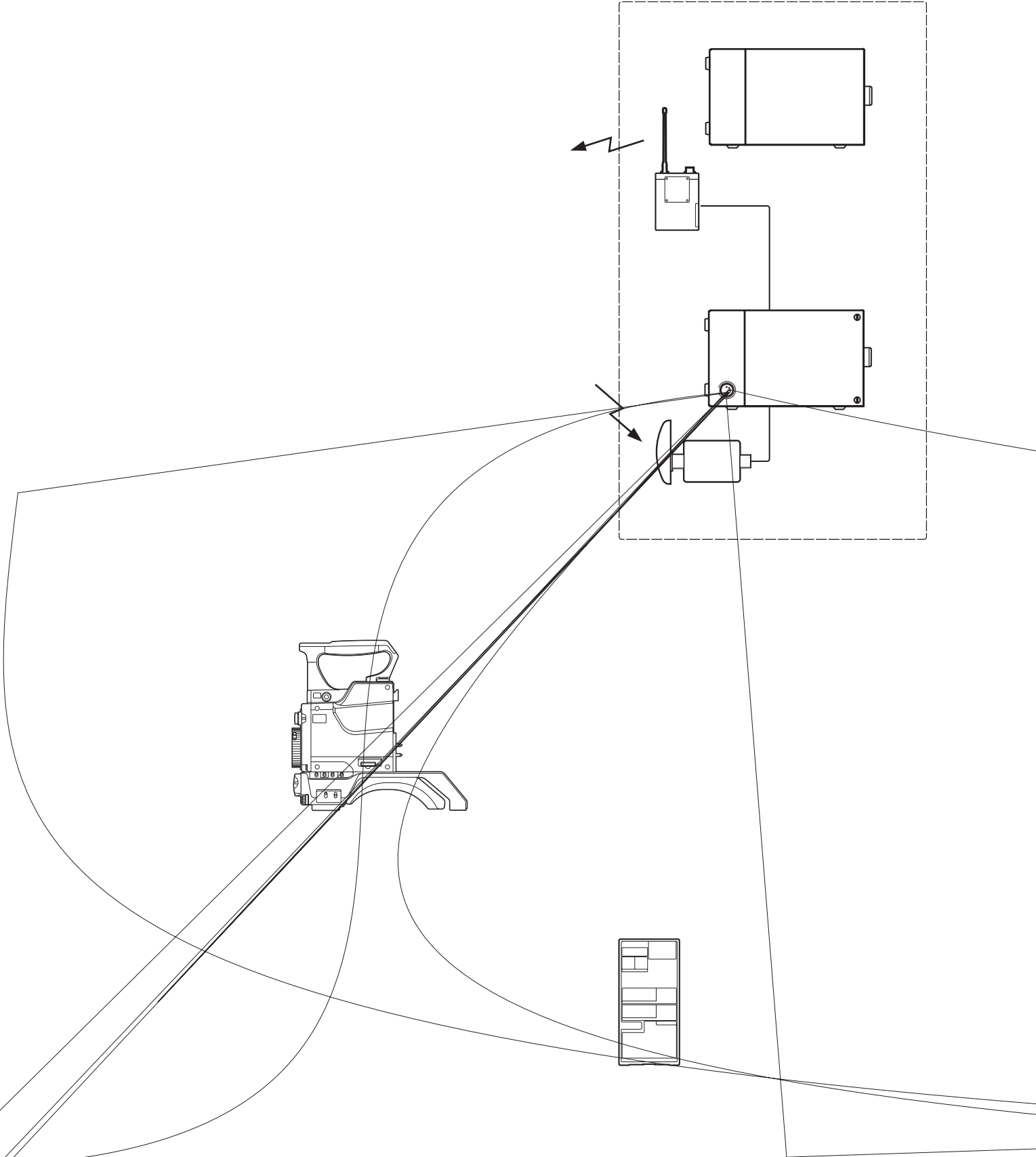
Full-servo optical-filter discs

A pair of motor-operated optical-filter discs are standard equipment with the BVP-E30/E30WS/E30WSP. This enables you to remotely control the camera from an MSU or RCP, facilitating system operation.

For the BVP-E30P, a single manual filter is provided.

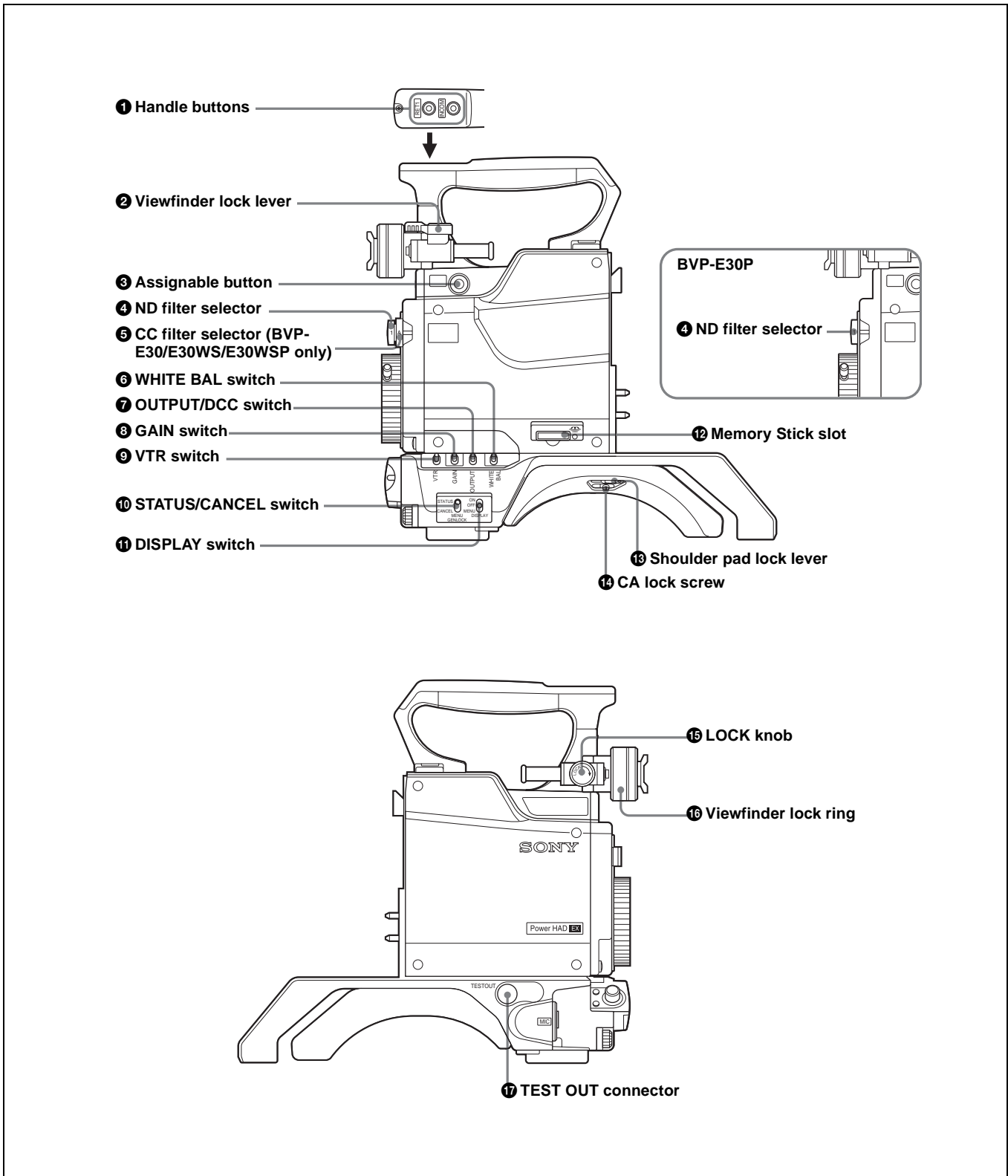
Optional Accessories

The following optional accessories are available.



Location and Function of Parts

Side Panels



1 Handle buttons

The function of each of these buttons is assignable in the menu operation.

At the factory, the front-side button is set to RET 1, and the rear-side button is set to INCOM 1.

RET 1 (return video 1): A return video 1 signal from the Camera Control Unit (CCU) is displayed on the viewfinder screen while this button is pressed.

INCOM (intercom 1): The intercom microphone is ON while this button is pressed.

For details, see "Menu Operation" on page 21.

2 Viewfinder lock lever

Locks the viewfinder after adjusting the position in the front-to-rear direction together with the LOCK knob.

3 Assignable button

Desired function can be assigned to this button by the menu operation.

On the BVP-E30P, a color temperature conversion filter of 5600K is set for the button at the factory. The setting can be changed with the OPERATION Menu.

On the BVP-E30/E30WS/E30WSP, nothing is set. Set the function with the OPERATION Menu as required.

For details, see "Menu Operation" on page 21.

4 ND filter selector

Selects the desired ND filter.

Filter No.	Filter
1	Clear
2	1/4ND
3	1/16ND
4	1/64ND

5 CC (color temperature conversion) filter (BVP-E30/E30WS/E30WSP only)

Selects the desired CC filter suitable for the lighting conditions.

Filter No.	Filter
A	Cross filter
B	3200K (Clear)
C	4300K
D	6300K

6 WHITE BAL (white balance memory select) switch

Selects the white balance adjustment method and memory cell to store the adjusted value.

PRESET: White balance is automatically adjusted to the preset value for the color temperature of 3200K.

A or B: Memory cell A or B is selected.

7 OUTPUT/DCC (output signal select/auto knee) switch

Selects an output signal supplied to a VTR, viewfinder, and video monitor (color-bar signals or camera picture). When a camera picture is selected, the auto knee function can be activated.

BARS/OFF: Color-bar signals are output, and the auto-knee circuit does not function.

CAM/OFF: A camera picture is output, but the auto-knee circuit does not function.

CAM/ON: A camera picture is output, and the auto-knee circuit functions.

8 GAIN switch

Selects the appropriate video gain according to the illumination of the subject to be shot. The values for positions L, M, and H, are set with the OPERATION Menu.

For details, see "Menu Operation" on page 21.

9 VTR switch

When a portable VTR is connected to the camera via the CA-570/570P/950/950P Camera Adaptor, the VTR starts recording as follows:

SAVE: Power-save position for recording. Recording starts a few seconds after the VTR START button is pressed. A newly recorded picture may not smoothly be connected to the previously recorded part.

STBY (standby): Recording starts immediately upon pressing the VTR START button.

Note

The WHITE BAL, OUTPUT/DCC, GAIN, and VTR switches do not function when the camera is connected to a Camera Control Unit (CCU), Remote Control Panel (RCP) or Remote Control Unit (RM).

10 STATUS/CANCEL switch

STATUS: The setting status of the camera is displayed on the viewfinder screen when the switch is set to this position after setting the DISPLAY switch to ON.

CANCEL: When the DISPLAY switch is in the MENU position, set the switch to this position to cancel the selection made by the MENU SELECT knob and restore the previously selected menu item.

11 DISPLAY switch

Used for displaying the current status of the camera, settings of format and assignable buttons, and menu on the viewfinder screen.

ON: Display function activated

OFF: Display function not activated

MENU: A screen for setting the displaying items and functions appears.

For details, see "Menu Operation" on page 21.

12 Memory Stick slot

Insert a **Memory Stick** to store file data.

For details, see “Using a Memory Stick” on page 18.

13 CA lock screw

Tighten the screw to secure the CA-570/570P/950/950P Camera Adaptor or the WLL-CA55 Wireless Camera Transmitter to the camera.

14 Shoulder pad lock lever

Raise up the lever to move the shoulder pad forwards or backwards. Do this to ensure the best balance when shooting with the camera on your shoulder.

For details, see “Adjusting the Shoulder Pad Position” on page 16.

15 LOCK knob

Locks the viewfinder after adjusting the position in the front-to-rear direction together with the viewfinder lock lever.

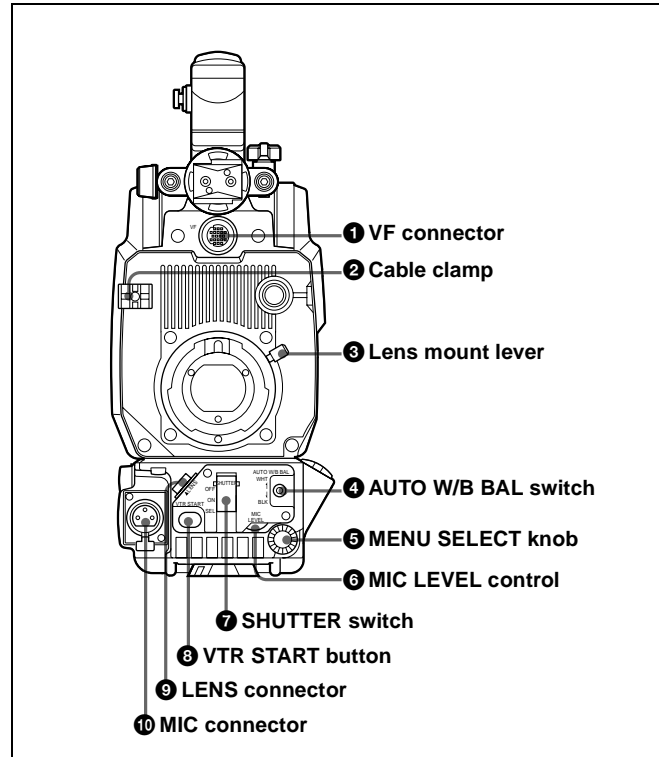
16 Viewfinder lock ring

Locks the viewfinder after adjusting the position side to side.

17 TEST OUT connector (BNC type)

Supplies the signal selected with the menu operation or the remote control panel.

Front Panel



1 VF (viewfinder) connector (20-pin)

Connect the 20-pin viewfinder cable of the BVF-10/10CE/20W/20WCE Viewfinder.

2 Cable clamp

Secures a microphone cable and lens cable.

3 Lens mount lever

Secures the lens to the lens mount.

For details, see “Attaching a Lens to the Camera” on page 12.

4 AUTO W/B BAL (automatic white balance/black balance adjustment) switch

Adjusts the white balance and black balance automatically.

WHT: The white balance is automatically adjusted. When the WHITE BAL switch on the side of the camera is set to A or B, the adjusted value is stored in memory cell A or B.

BLK: The black balance is automatically adjusted. The black set is simultaneously adjusted.

Notes

- The AUTO W/B BAL switch does not function when the camera is connected to a CCU, RCP, or RM.
- Do not turn off the power while automatic adjustment of white balance or black balance is in progress. The setup values of the camera may not be correctly stored.

5 MENU SELECT knob

When the DISPLAY switch on the side panel is set to MENU and the menu is displayed, turn this control knob to select a menu item and press it to register the selection.

For details, see "Menu Operation" on page 21.

6 MIC LEVEL (microphone level) control

When a portable VTR is connected using the CCZ cable of the CA-570/570P Camera Adaptor, the microphone level can be adjusted by turning this control.

When the CA-570/570P Camera Adaptor is used and the LEVEL/MIC switch on the rear panel of the camera adaptor is set to FRONT/OFF, the sound volume of the intercom can be adjusted using this control.

7 SHUTTER switch

OFF: An electronic shutter does not function.

ON: An electronic shutter is activated.

SEL: The shutter speed and shutter mode change each time the switch is set to this position.

When you set the shutter mode to SLS, the camera enters Slow-Shutter mode (Accumulation mode). You can select the accumulation time in the range of 1 to 7 frames using the PAINT Menu.

Notes

- In Slow-Shutter mode, the following restrictions are generated:
 - Iris: When a remote control unit is connected, AUTO IRIS mode is set to OFF. When no remote control unit is connected and the camera is used in AUTO IRIS mode, the iris is forcibly opened. If you wish to adjust the iris, set AUTO IRIS to OFF using the MAINTENANCE Menu and adjust it manually.
 - Flare compensation: The FLARE setting on the SW STATUS (P1) page selected from the PAINT Menu is forcibly set to OFF.
 - Auto white balance: The time required for automatic white balance adjustment may be prolonged depending on the setting of accumulation time.
- The following phenomena are due to the characteristics of a CCD in Slow-Shutter mode and are not defects of the product. For details, consult your Sony service personnel:
 - White dots on the CCD become clear when you increase the number of frames for Slow-Shutter mode.
 - The picture is distorted when the camera is switched to Slow-Shutter mode.
- The SHUTTER switch does not function when the camera is connected to a CCU, RCP, or RM.

8 VTR START button

When a Camera Control Unit (CCU) is connected, the audio signal of the intercom is sent to the CCU while this button is held pressed.

When a VTR is connected using the CCZ cable of the CA-570/570P, pressing this button starts recording, and

pressing it again stops recording. It is the same function as with the VTR button on the lens.

9 LENS connector (12-pin)

Connect a lens cable.

10 MIC (microphone) connector (3-pin)

Connect a microphone cable.

Normally, connect the microphone supplied with the BVF-10/10CE/20W/20WCE Viewfinder.

Phantom powering is turned off with the appropriate internal switch setting.

For setting the switch, consult your Sony service personnel.

Setting Up the Camera

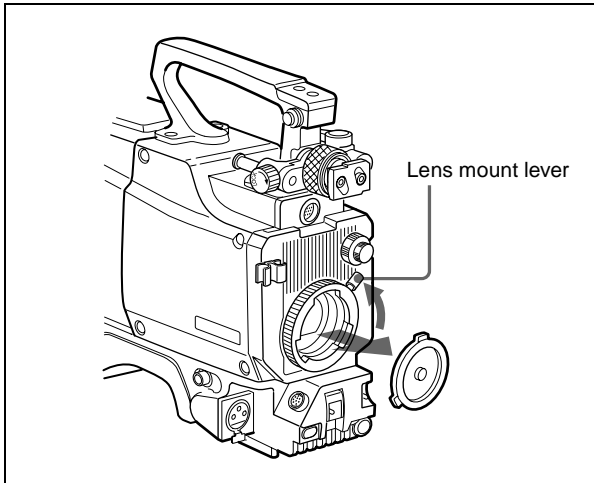
Attaching a Lens to the Camera

Attach an optional lens as described below.

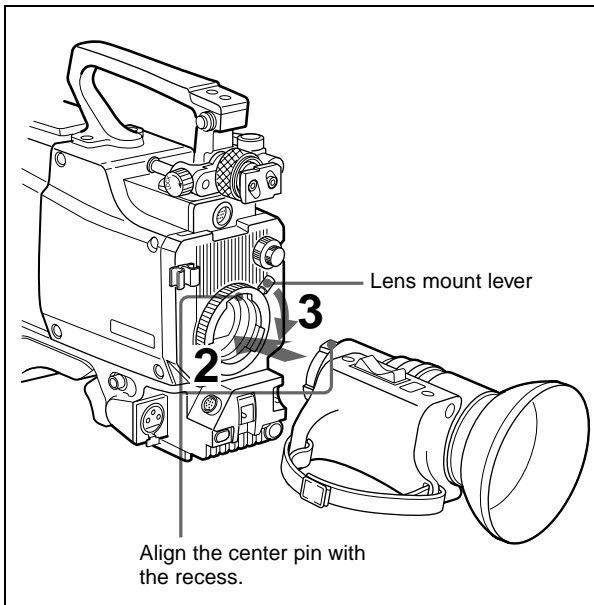
For details on the lens, refer to the instruction manual furnished with the lens.

Attaching procedure

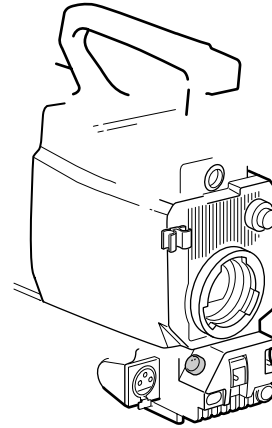
- 1 Turn the lens mount lever on the front panel fully counterclockwise and remove the mounting cap.



- 2 Align the center pin of the lens with the recess at the top of the lens mount section and set the lens in place.



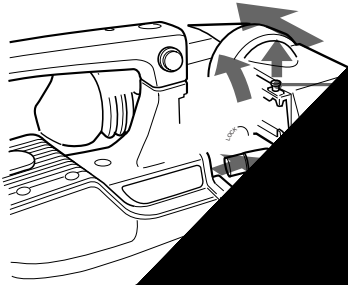
- 3 Turn the lens mount lever fully clockwise while holding the lens to secure it.
- 4 Connect the lens cable to the LENS connector.



- 5 Secure a cable with the cable clamp.

Detaching the viewfinder

- 1 Turn the viewfinder lock ring to loosen it.



- 2 Pull the viewfinder barrel out of the camera body.

- 3 Disconnect the viewfinder from the camera body.

- 4 Disconnect the viewfinder from the camera body.

Attaching the eyepiece

Align the red match mark on the locking ring with the match mark on the viewfinder.

Align the match mark on the eyepiece with the match marks on the eyepiece locking ring and the viewfinder barrel, then insert the eyepiece into the viewfinder barrel.

- 3 Turn the eyepiece locking ring clockwise until its LOCK indication arrowhead is aligned with the match mark on the viewfinder barrel.

Cleaning the viewfinder

To ensure a clear view while shooting, you must keep the interior of the viewfinder clean. To clean the viewfinder, remove the viewfinder from the camera and take care not to scratch any of the components within the viewfinder.

For details on detaching the viewfinder, see "Detaching the viewfinder" on page 14.

To remove dust from the viewfinder screen or surface of the mirror inside the barrel

Use a dust blower.

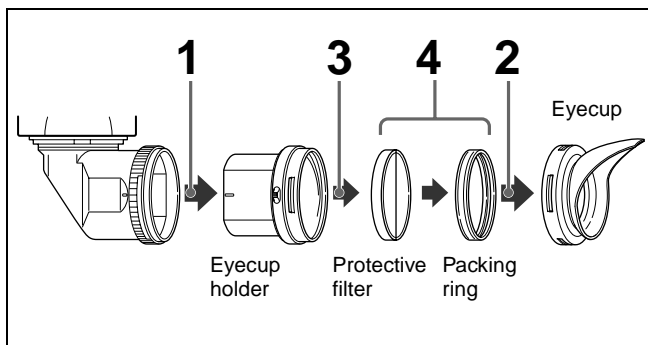
To clean the lens or protective filter

Use a commercially available lens cleaner.

Note

Never use organic solvents such as thinner.

Disassembling the eyepiece



- 1 Detach the eyepiece unit from the viewfinder.
For details, see "Detaching the eyepiece" on page 14.
- 2 Remove the eyecup from the eyecup holder.
- 3 Remove the protective filter, together with the packing ring from inside the eyecup holder.
- 4 Detach the protective filter from the packing ring.

Fog-proof filter

Depending on the temperature and humidity, the protecting filter may mists, especially if you breathe near it. You can replace the protecting filter with an optional fog-proof filter (Part No. 1-547-341-12) to prevent the fogging.

Attaching the fog-proof filter

Remove the protecting filter together with the packing ring, and in their place attach the fog-proof filter.

Note

When cleaning the fog-proof filter, wipe the filter very gently with a soft cloth to avoid impairing the anti-fogging effect.

Attaching the Camera Adaptor or Wireless Camera Transmitter

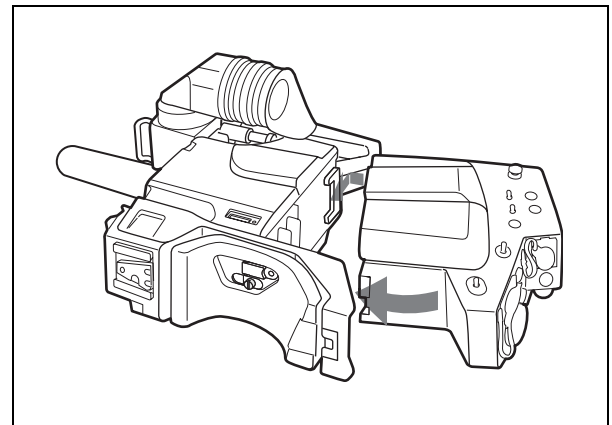
If you attach the CA-570/570P/950/950P Camera Adaptor to the camera, a portable VTR, camera control unit or AC adaptor can be connected to the camera.

By attaching the WLL-CA55 Wireless Camera Transmitter, video and audio signals can be transmitted to a distance.

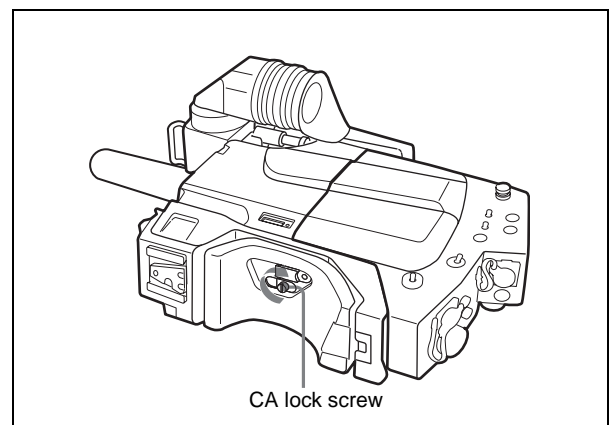
Attaching the camera adaptor or transmitter

- 1 Attach the camera adaptor or transmitter to the back of the camera.

Hook the upper part then push the lower part securely in place. Then make sure the adaptor or transmitter is firmly attached to the camera.



- 2 Tighten the CA lock screw to secure the adaptor or transmitter.

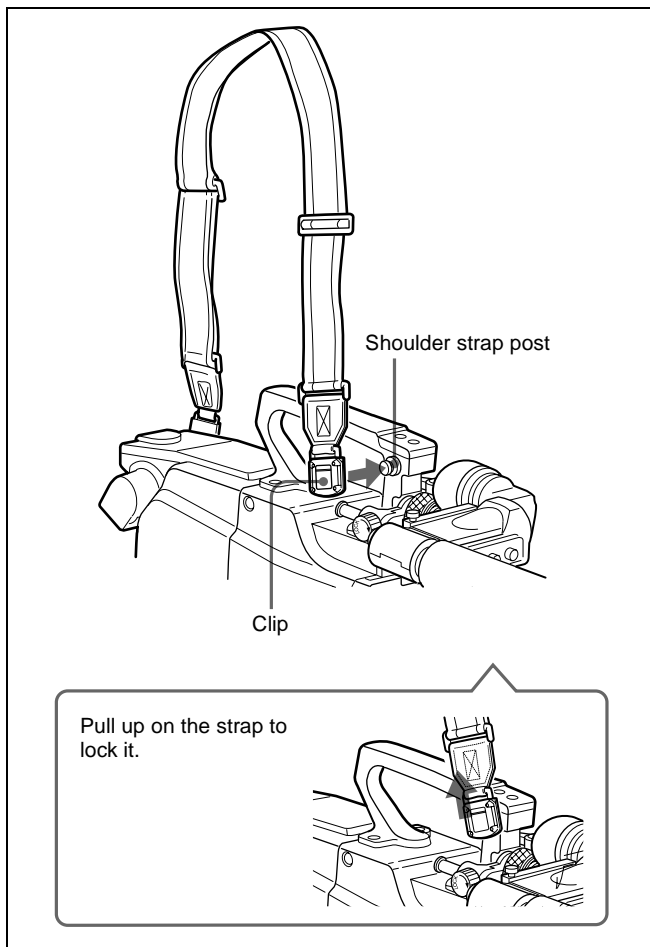


Removing the camera adaptor or transmitter

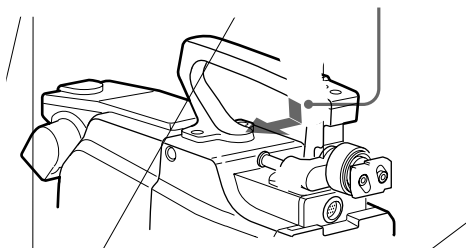
Turn the CA lock screw counterclockwise until it idles and then remove the adaptor or transmitter while holding the screw pushed in.

Attaching a shoulder strap

Attach a shoulder strap as shown below.



Detaching a shoulder strap



Adjusting the Shoulder Pad Position

You can shift the shoulder pad from its center position (factory setting) backward by up to 10 mm (3/8 inch) or forward by up to 25 mm (1 inch). This adjustment helps you get the best balance for shooting with the camcorder on your shoulder.

Adjusting procedure

- 1 Raise the lever in the center of the shoulder pad to unlock the shoulder pad.
- 2 Slide the shoulder pad backward or forward until it is in the most convenient position.
- 3 Bring down the lever to lock the shoulder pad in the selected position.

Mounting the Camera to a Tripod

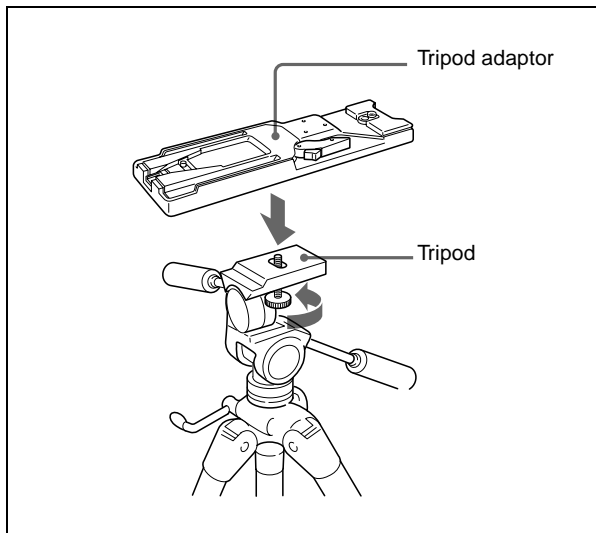
Mount the camera to a tripod using a VCT-14 Tripod Adaptor.

Caution

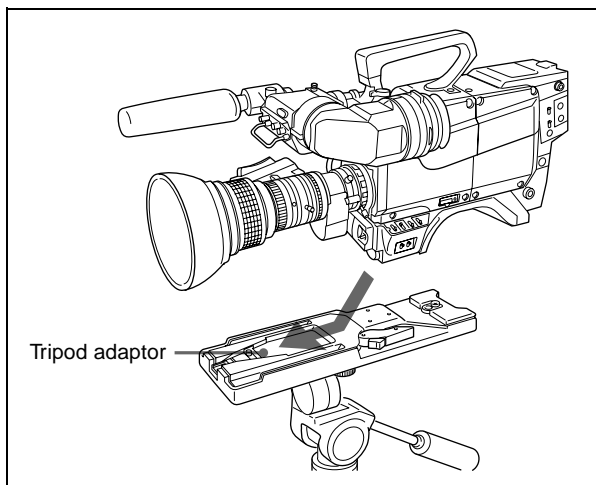
- Select an appropriate hole from among those at the bottom of the tripod adaptor considering the balance of the weight of the camera and the tripod adaptor. If an inappropriate hole is selected, the camera may fall over.
- Check that the size of the selected hole matches that of the screw of the tripod. If they do not match, the tripod adaptor cannot be attached to the tripod securely.

Mounting procedure

- 1 Attach the tripod adaptor to the tripod and secure it with the screw.

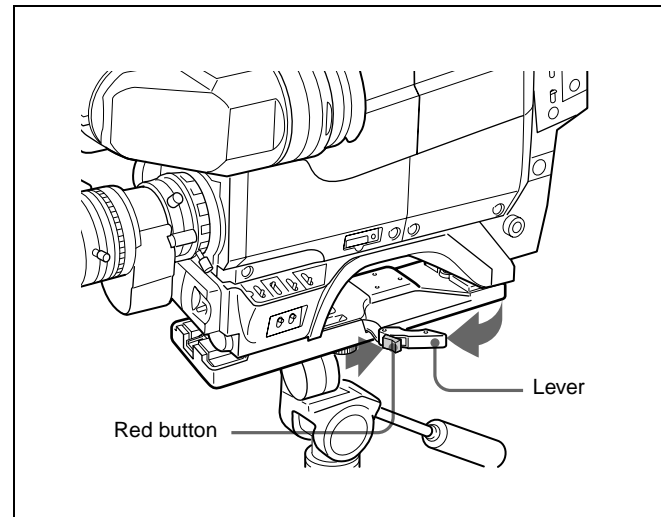


- 2 Place the camera on the tripod adaptor, and slide forward it along the groove of the tripod adaptor until it clicks.



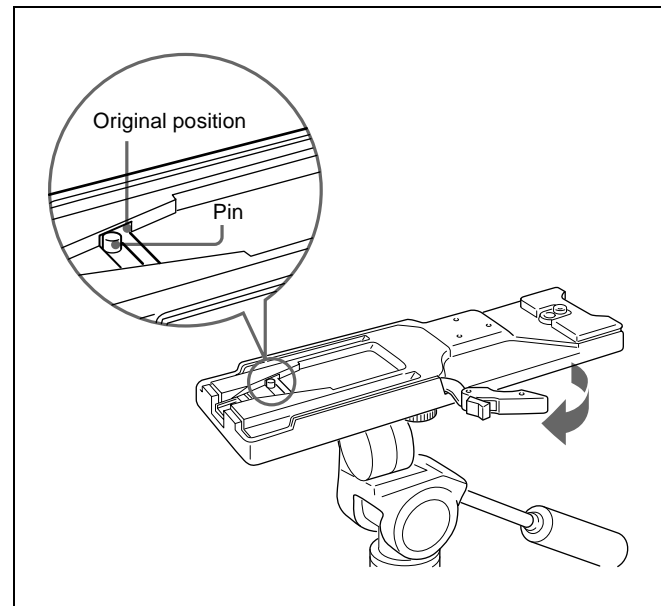
Removing the camera from the tripod adaptor

Hold down the red button and pull the lever in the direction of the arrow.



If the pin of the tripod adaptor does not return to its original position

After removing the camera, if the pin of the tripod adaptor does not return to its original position, hold down the red button and move the lever in the direction of the arrow to return the pin to its original position. It is not possible to mount a camera with the pin not seated.

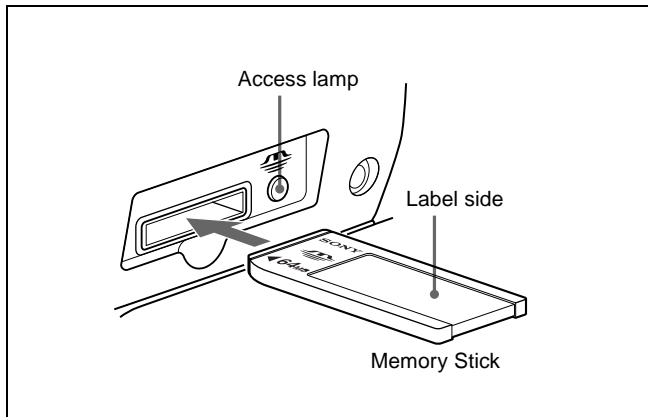


Using a Memory Stick

When a “Memory Stick” is inserted in the camera, the file data can be stored on the “Memory Stick,” which enables you to share data among cameras.

Inserting a Memory Stick

Insert a “Memory Stick” with the label side up into the “Memory Stick” slot until it clicks and the access lamp lights in red.



Notes

- Never insert/remove a “Memory Stick” while the red access lamp is lit or flashing.
- If ERROR appears on the viewfinder screen, wait until ERROR disappears, then remove the “Memory Stick.”

To remove a Memory Stick

If you push the inserted “Memory Stick,” the “Memory Stick” will pop out a little. Then pull the “Memory Stick” out.

Precautions

- To prevent data loss, make backups of data frequently. In no event will Sony be liable for any loss of data.
- Unauthorized recording may be contrary to the provisions of copyright law. When you use a “Memory Stick” that has been pre-recorded, be sure that the material has been recorded in accordance with copyright and other applicable laws.
- The “Memory Stick” application software may be modified or changed by Sony without prior notice.

Notes on Memory Stick

What is “Memory Stick”?

“Memory Stick” is a new compact, portable and versatile IC (Integrated Circuit) recording medium with a data capacity that exceeds that of a floppy disk. “Memory Stick” is specially designed for exchanging and sharing digital data among “Memory Stick”-compatible products. Because it is removable, “Memory Stick” can also be used for external data storage.

“Memory Stick” is available in two sizes: standard size and compact “Memory Stick Duo” size. Once attached to a “Memory Stick Duo” adapter, “Memory Stick Duo” is to the same size as standard “Memory Stick” and thus can be used with products compliant with standard “Memory Stick.”

Types of “Memory Stick”

“Memory Stick” is available in the following six types to meet various functional requirements.

“Memory Stick”

Stores any type of data except copyright-protected data that require MagicGate copyright protection technology.

“Memory Stick (MagicGate/High-Speed Transfer Compatible)”

Equipped with MagicGate copyright protection technology and allows high-speed data transfer.

This type of “Memory Stick” can be used with “Memory Stick”-compliant, “MagicGate Memory Stick”-compliant, and “Memory Stick PRO”-compliant products.*

* Operation is not guaranteed for all of the compliant products (Some products may not accept this type of “Memory Stick.”)

The BVP-E30-series is not compliant with high-speed data transfer with this type of “Memory Stick.”

“MagicGate Memory Stick”

Equipped with MagicGate copyright protection technology.

“Memory Stick-ROM”

Stores prerecorded, read-only data. You cannot record on “Memory Stick-ROM” or erase the prerecorded data.

“Memory Stick (with Memory Select Function)”

Composed of multiple 128MB memory units.

The mechanical switch at the back of the “Memory Stick” allows you to select the memory unit to be used depending on usage.

The memory units cannot be used simultaneously and continuously.

“Memory Stick PRO”

“Memory Stick” with MagicGate copyright protection technology, exclusive for “Memory Stick PRO”-compliant products.

This type of “Memory Stick” cannot be used with the BVP-E30 series.

Available types of “Memory Stick”

You can use a “Memory Stick” with the BVP-E30 series (8, 16, 32, 64 and 128 MB compatible).

Note

You can not use a “Memory Stick Duo” alone with the BVP-E30 series. To use a “Memory Stick Duo” with this camera, be sure to attach it to an optional Memory Stick Duo Adaptor. If you insert a “Memory Stick Duo” without the adaptor, it may become stuck in the slot and impossible to remove.

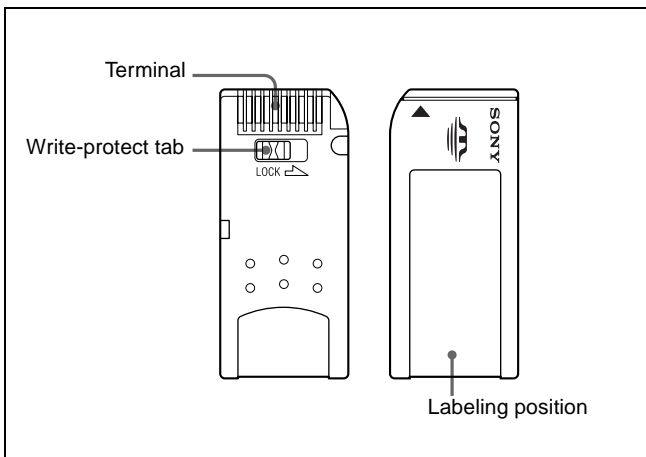
Note on data read/write speed

Data read/write speed may vary depending on the combination of the “Memory Stick” and “Memory Stick” compliant product you use.

What is MagicGate?

MagicGate is copyright protection technology that uses encryption technology.

Before using a Memory Stick



- You cannot record or erase data when the write-protect tab on the “Memory Stick” is set to LOCK.
- We recommend backing up important data.
- Image data may be damaged in the following cases:
 - If you remove the “Memory Stick,” or turn the power off when the access lamp is lit or flashing
 - If you use a “Memory Stick” near static electricity or a magnetic field

Notes

- Do not attach anything other than the supplied label to the “Memory Stick” labeling position.

- Attach the label so that it does not stick out beyond the labeling position.
- Carry and store the “Memory Stick” in its case.
- Do not touch the connector of the “Memory Stick” with anything, including your finger or metallic objects.
- Do not strike, bend, or drop the “Memory Stick.”
- Do not disassemble or modify the “Memory Stick.”
- Do not allow the “Memory Stick” to get wet.
- Do not use or store the “Memory Stick” in a location that is:
 - Extremely hot, such as in a car parked in the sun
 - Under direct sunlight
 - Very humid or subject to corrosive substances

Display on the Viewfinder Screen

On the viewfinder screen, the current status of the camera, as well as menu items, can be displayed.

Status display

Set the DISPLAY switch to ON. The current settings of the switches on the camera and automatically adjusted values will appear.

```
EX F255                Z99
                        CAM?
                        CA?

        WHITE:OK

D56 00 ATW                S1
1A W:A 0dB 1/125  □□□□ F-15 F5.6
```

Status screen

On the status screen, you can see the current format, settings of the assignable buttons, etc.

- 1 Set the DISPLAY switch to ON.
- 2 Push the STATUS/CANCEL switch to STATUS.

```
FORMAT      :59.94I
LENS VTR S/S:RET2 SW
CAM VTR S/S:RET2 SW
WHITE B     :ATW
OUTPUT DCC  :AUTO KNEE
ASSIGNABLE  :5600K
HANDLE SW   :RET/INCOM

!GAIN       :3dB
!SHUTTER    :1/100
!FORMAT     :29.97PsF
```

Menu screen

Set the DISPLAY switch to MENU, and the menu screen will appear.

```
<TEST/VF OUT> 1 TOP
TEST OUT      :→ENC
TEST CHARA.  : ON
TEST MARKER   : OFF

VF OUT       : Y
MIX VF       : OFF

CHARACTER SYNC: VF
```

Menu Operation

To perform menu operations, first display the menu on the viewfinder screen.

Displaying the Menu

Set the DISPLAY switch to MENU. The OPERATION or USER menu, whichever was displayed when the camera was turned off, will appear.

To display a desired menu page

- 1 Turn the MENU SELECT knob to move the arrow to the figure on the top of the screen.
- 2 Push the MENU SELECT knob.
The arrow changes to the question mark.
- 3 Turn the MENU SELECT knob until the desired menu page appears.
- 4 Push the MENU SELECT knob.
The question mark changes to the arrow, and the selected page is displayed.

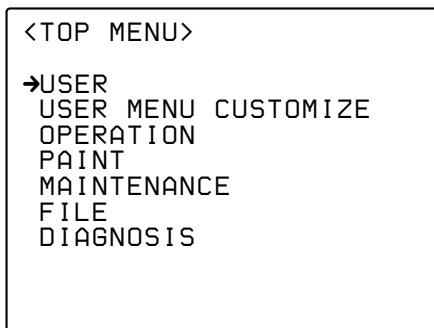
To make the menu disappear

Set the DISPLAY switch to OFF.

Displaying the TOP MENU

You can display the TOP MENU by one of the following methods:

- While holding down the MENU SELECT knob, set the DISPLAY switch from OFF to ON.
- While holding down the MENU SELECT knob, turn on the camera.
- Select TOP at the right top on the menu.



To make TOP MENU disappear

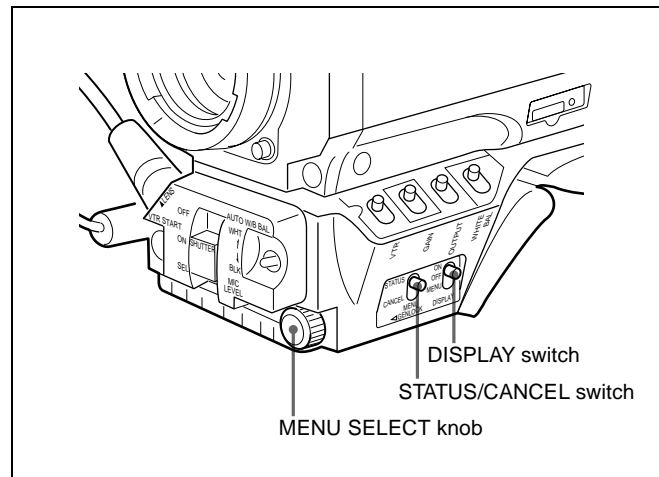
Turn off the camera, or while holding down the MENU SELECT knob, set the DISPLAY switch from ON to OFF.

Selecting a Menu Page From the CONTENTS Screen

When you display the CONTENTS screen (page 0) of each menu, the pages of the menu are listed on the display. Turn the MENU SELECT knob to move the arrow to the desired page, and push the MENU SELECT knob. The selected menu page is displayed.

Setting the Menu

Display the menu page on which you wish to make settings, then follow the procedure below.



- 1 Turn the MENU SELECT knob to move the arrow to the item to be selected.
- 2 Push the MENU SELECT knob.
The arrow changes to a question mark.
- 3 Turn the MENU SELECT knob to select a setting item or value.
- 4 Push the MENU SELECT knob.
The question mark changes to an arrow, and the selected item or value is set.

Repeat steps 1 through 4 as required.

- 5 Set the DISPLAY switch to OFF when you are finished making settings.

To cancel a setting

Push the STATUS/CANCEL switch to CANCEL while the question mark is displayed in step 3. The original setting will be restored.

Using the USER Menu

You can select desired pages from the OPERATION, PAINT, MAINTENANCE, FILE, and DIAGNOSIS menu pages, and copy and set them on the USER Menu. If you set pages frequently used on the USER Menu, you can easily call the pages and use them.

On the USER Menu, USER PAGE 1 through USER PAGE 5 are provided. You can place up to ten desired menu items on each of these pages.

Setting desired menu pages on the USER Menu

- 1 Display the TOP MENU screen.

For details on displaying the TOP MENU screen, see "Displaying the TOP MENU" on page 21.

- 2 Turn the MENU SELECT knob to select USER MENU CUSTOMIZE, then push the MENU SELECT knob.

The CONTENTS screen appears.

```
<CONTENTS>    →E00    TOP
1 : <PAGE EDIT>
2 : <USER P1 EDIT>
3 : <USER P2 EDIT>
4 : <USER P3 EDIT>
5 : <USER P4 EDIT>
6 : <USER P5 EDIT>
7 : <COSTOMIZE RESET>
```

- 3 Turn the MENU SELECT knob to select 1: <PAGE EDIT>, then push the MENU SELECT knob.

The PAGE EDIT screen appears.

```
<PAGE EDIT>    U1 TOP
→1 : <USER PAGE 1>
2 : <USER PAGE 2>
3 : <USER PAGE 3>
4 : <USER PAGE 4>
5 : <USER PAGE 5>
6 : -----
7 : -----
8 : -----
9 : -----
```

Upon setting of numbers 1 through 5, <USER PAGE 1> through <USER PAGE 5> have been set. You can change these settings as desired.

- 4 Turn the MENU SELECT knob to select the number for which the menu page is to be set, then push the MENU SELECT knob.

The operation select screen appears.

```
→OVERWRITE
INSERT
MOVE
DELETE
BLANK

RET
```

- 5 Turn the MENU SELECT knob to select OVERWRITE or INSERT, and push the MENU SELECT knob.

The PAGE SELECT screen appears.

```
<PAGE SELECT>    ESC
↓ ↓ ↓
→1 : <TEST/VF OUT>
2 : <CURSOR>
3 : <ZEBRA/VF DTL>
4 : <MARKER>
5 : <VF DISPLAY>
6 : <'!' IND1>
7 : <'!' IND2>
8 : <SWITCH ASSIGN1>
9 : <SWITCH ASSIGN2>
10 : <PRESET WHITE>
```

- 6 Turn the MENU SELECT knob to select a menu page to be set, then push the MENU SELECT knob.

The selected menu page is set on the USER Menu, and the screen returns to the TOP MENU screen.

To change the order of the pages

- 1 Select USER MENU CUSTOMIZE on the TOP MENU screen.
- 2 Select 1: <PAGE EDIT> on the <CONTENTS> screen to display the PAGE EDIT screen.
- 3 Turn the MENU SELECT knob to select the menu page to be moved, then push the MENU SELECT knob.

The operation select screen appears

- Turn the MENU SELECT knob to select MOVE, then push the MENU SELECT knob.

The PAGE EDIT screen is restored.

- Turn the MENU SELECT knob to move the arrow to the position where the selected page is to be moved, then push the MENU SELECT knob.

The selected page moves to the position pointed by the arrow.

To delete a page

- Select USER MENU CUSTOMIZE on the TOP MENU screen.
- Select 1: <PAGE EDIT> on the <CONTENTS> screen to display the PAGE EDIT screen.
- Turn the MENU SELECT knob to select the menu page to be deleted, then push the MENU SELECT knob.
- Turn the MENU SELECT knob to select DELETE or BLANK, then push the MENU SELECT knob.

The operation select screen appears.

The selected menu page is deleted, and the PAGE EDIT screen is restored.

Setting desired items on a USER PAGE

To set desired items on a USER PAGE, follow the procedure below.

- Set <USER PAGE 1> through <USER PAGE 5>.

For setting <USER PAGE 1> through <USER PAGE 5>, see "Setting desired menu pages on the USER Menu" on page 22.
- Display the TOP MENU screen.

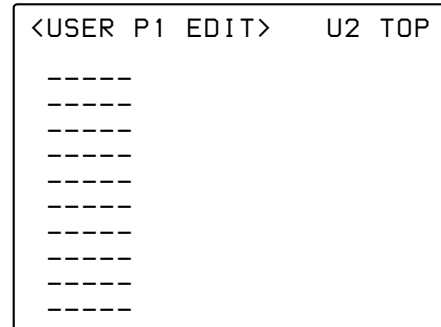
For details on displaying the TOP MENU screen, see "Displaying the TOP MENU" on page 21.
- Turn the MENU SELECT knob to select USER MENU CUSTOMIZE, then push the MENU SELECT knob.
- Select 1: <PAGE EDIT> on the <CONTENTS> screen to display the PAGE EDIT screen.
- Turn the MENU SELECT knob to move the arrow to U1 at the top of the screen, then push the MENU SELECT knob.

The arrow changes to a question mark.

- Turn the MENU SELECT knob to select any of U2 through U6, then push the MENU SELECT knob.

A USER PAGE setting screen appears.

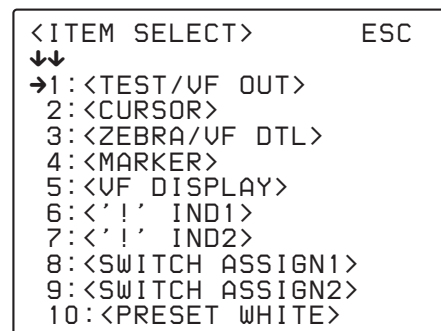
- U2: USER PAGE 1 setting screen <USER P1 EDIT>
- U3: USER PAGE 2 setting screen <USER P2 EDIT>
- U4: USER PAGE 3 setting screen <USER P3 EDIT>
- U5: USER PAGE 4 setting screen <USER P4 EDIT>
- U6: USER PAGE 5 setting screen <USER P5 EDIT>



- Turn the MENU SELECT knob to move the arrow to the first line, then push the MENU SELECT knob.
- Turn the MENU SELECT knob to select OVERWRITE or INSERT, and push the MENU SELECT knob.

The operation select screen appears.

The ITEM SELECT screen appears.



- Turn the MENU SELECT knob to select the page that contains the item to be set, then push the MENU SELECT knob.
- Turn the MENU SELECT knob to select an item to be set, then push the MENU SELECT knob.

The selected page is displayed.

The USER P1 EDIT screen is restored, and the selected item is displayed.

Repeat steps 7 to 10 as required.

- 11 When setting of all items on the page is completed, turn the MENU SELECT knob to move the arrow to TOP at the top of the screen, then push the MENU SELECT knob.

The TOP MENU screen is restored.

To change the order of the items

You can change the order of the items by the same method as that for the menu pages.

To delete an item

You can delete an item by the same method as that for the menu pages.

Displaying the USER Menu

- 1 Display the TOP MENU screen.

For details on displaying the TOP MENU screen, see "Displaying the TOP MENU" on page 21.

- 2 Turn the MENU SELECT knob to select USER, then push the MENU SELECT knob.

The menu page set for setting number 1 on the PAGE EDIT screen appears.

To display other pages

- 1 Turn the MENU SELECT knob to move the arrow to the figure at the top of the screen, then push the MENU SELECT knob.

The arrow changes to a question mark.

- 2 Turn the MENU SELECT knob until the desired menu page appears, then push the MENU SELECT knob.

The selected page is displayed.

Resetting the USER Menu settings

- 1 Display the TOP MENU screen.

- 2 Turn the MENU SELECT knob to select USER MENU CUSTOMIZE, then push the MENU SELECT knob.

The CONTENTS screen appears.

- 3 Turn the MENU SELECT knob to select 7: <CUSTOMIZE RESET>, then push the MENU SELECT knob.

The CUSTOMIZE RESET screen appears.

- 4 Turn the MENU SELECT knob to select CUSTOMIZE RESET, then push the MENU SELECT knob.

The message "CUSTOMIZE RESET OK?" is displayed.

- 5 Push the MENU SELECT knob.

The USER menu settings are reset.

MENU Items

The names of menu items are listed on page 0
<CONTENTS> of each menu.

OPERATION Menu

Menu	Page	Items: default setting	Setting values
<TEST/VF OUT>	1	TEST OUT : ENC	ENC/Y/R/G/B/RETURN/VF
		TEST CHARA : ON	ON/OFF
		TEST MARKER : OFF	ON/OFF
		VF OUT : Y	Y/R/G/B/COLOR
		MIX VF : OFF	ON/OFF
		CHARACTER SYNC : VF	VF/TEST
<CURSOR>	2	CURSOR : OFF	ON/OFF
		H POSITION : 50	0 to 99
		W POSITION : 50	0 to 99
		H WIDTH : 50	0 to 99
		V HEIGHT : 50	0 to 99
<ZEBRA/VF DETAIL>	3	ZEBRA : ON : 1&2	ON/OFF 1/2/1&2
		ZEBRA1 LEVEL : 75% WIDTH : 10%	50 to 109% 0 to 30%
		ZEBRA2 LEVEL : 100%	50 to 109%
		VF DTL : ON	ON/OFF
		VF DTL GAIN : 25	0 to 99
<MARKER>	4	SAFETY ZONE : OFF : 90% : NORMAL	ON/OFF 80/90/100/80+100/90+100 NORMAL/ASPECT
		ASPECTIND : OFF : 4:3	LINE/MASK/LINE&MASK/OFF 15:9 /14:9/13:9/4:3/ -- (BVP-E30WS/E30WSP only)
		CENTER MARKER : ON	ON/OFF
		H POSITION : 0	-99 to +99
		V POSITION : 0	-99 to +99
<VF DISPLAY>	5	EX : ON	3S/ON/OFF
		ZOOM : OFF	3S/ON/OFF
		DISP : LEFT	LEFT/RIGT (only for the lenses with this function)
		FOCUS : ON	3S/ON/OFF (only for the lenses with this function)
		ND : ON	3S/ON/OFF
		CC : ON	ON/OFF (BVP-E30WS/E30WSP only)
		IRIS : ON	ON/OFF
		WHITE : ON	3S/ON/OFF
		5600K : ON	3S/ON/OFF
		GAIN : ON	3S/ON/OFF
		SHUTT : ON	3S/ON/OFF
		RETURN : ON	3S/ON/OFF
ATW : ON	3S/ON/OFF		

<VF DISPLAY> (Continued)	5	SCENE : ON	3S/ON/OFF
		AUDIO : OFF	ON/OFF
		TAPE : OFF	3S/ON/OFF
		INCOM : ON	ON/OFF
		C. TEMP : OFF	3S/ON/OFF
		MESSAG : ALL	ALL/WRN/AT/OFF
<'!' IND1>	6	ND [IND] [NORMAL] : ON 1 - - -	ON/OFF 1234
		CC : ON - B - -	ON/OFF ABCD
		WHITE : ON - A B	ON/OFF PAB
		5600K : ON OFF	ON/OFF ON/OFF
		GAIN : ON - - L	ON/OFF HLM
		SHUTTER : ON OFF	ON/OFF ON/OFF
		EXTENDER : ON OFF	ON/OFF ON/OFF
		FORMAT : ON 59.94I (NTSC)/ 50I (PAL)	ON/OFF 59.94I/29.97PsF, 50I/25PsF
		16:9/4:3 : ON 16:9	ON/OFF 16:9/4:3
<'!' IND2>	7	x0.8/4:3 : ON	ON/OFF
<SWITCH ASSIGN1>	8	GAIN [L] : 0dB	-3/0/3/6/9/12/18/24/30/36/42
		[M] : 9dB	-3/0/3/6/9/12/18/24/30/36/42
		[H] : 18dB	-3/0/3/6/9/12/18/24/30/36/42
		WHITE [B] : B	B/ATW
		OUTPUT [DCC] : AUTO KNEE	AUTO KNEE/ADAPTIVE
		RE.ROTATION : STD	STD/RVS
<SWITCH ASSIGN2>	9	LENS VTR S/S : RET2 SW	RET2 SW/INCOM1/INCOM2
		CAM VTR S/S : RET2 SW	RET2 SW/INCOM1/INCOM2
		ASSIGNABLE : 5600K (BVP-E30P) : -- (BVP-E30/E30WS/ E30WSP)	5600K/ATW/CROP/--
		DIMMER : --	0 to 9/--
		HANDLE SWITCH : RET-INCOM1	RET-INCOM1/RET-INCOM2/RET-PROD/ RET-ENG/ZOOM/--
		ZOOM SPEED : --	00 to 99/--
<PRESET WHITE>	10	COLOR TEMP : 3200K	2000K to 10000K
		FINE : 0	-99 to +99
		R GAIN : 0	-99 to +99
		B GAIN : 0	-99 to +99
<OPERATOR FILE>	11	MEMORY STICK	
		READ (MS→CAM)	Reading from a "Memory Stick"
		WRITE (CAM→MS)	Writing to a "Memory Stick"
		PRESET	Restoring the preset data
		FILE ID	Comment for the operation file stored in a "Memory Stick"
		CAM CODE : BVP-E30	
		DATE	
TIME			

<LENS FILE>	12	FILE : 1	1 to 16
		HA14x8	
		F2.0	

PAINT Menu

Menu	Page	Items: default setting	Setting values
<SW STATUS>	P1	FLARE : ON	ON/OFF
		GAMMA : ON	ON/OFF
		BLK GAM : OFF	ON/OFF
		KNEE : ON	ON/OFF
		WHT CLIP : ON	ON/OFF
		DETAIL : ON	ON/OFF
		LEVEL DEP : ON	ON/OFF
		SKIN DETAIL : OFF	ON/OFF
		MATRIX : ON	ON/OFF
<VIDEO LEVEL>	P2	WHITE [R] [G] [B] [M] : 0 0 0 0	-99 to +99
		BLACK : 0 0 0 0	-99 to +99
		FLARE : 0 0 0 0	-99 to +99
		GAMMA : 0 0 0 0	-99 to +99
		V MOD : 0 0 0 0	-99 to +99
		FLARE : ON	ON/OFF
		V MOD : ON	ON/OFF
		TEST OUT : ENC	ENC/Y/R/G/B/VF/RETURN
<GAMMA>	P3	LEVEL [R] [G] [B] [M] : 0 0 0 0	-99 to +99
		COARSE : 0.45	0.35 to 0.90 (0.05 unit)
		GAMMA TYPE : 1 or 2	1 to 7
		GAMMA : ON	ON/OFF
		TEST OUT : ENC	ENC/Y/R/G/B/VF/RETURN
<BLACK GAMMA>	P4	LEVEL [R] [G] [B] [M] : 0 0 0 0	-99 to +99
		RANGE : HIGH : OFF	LOW/MID L/MID H/HIGH ON/OFF
		TEST OUT : ENC	ENC/Y/R/G/B/VF/RETURN
<LOW KEY SAT>	P5	LEVEL : 0	-99 to +99
		RANGE : HIGH : OFF	LOW/MID L/MID H/HIGH ON/OFF
		TEST OUT : ENC	ENC/Y/R/G/B/VF/RETURN

<KNEE>	P6	K POINT	[R] [G] [B] [M] : 0 0 0 0	-99 to +99
		K SLOPE	: 0 0 0 0	-99 to +99
		KNEE	: ON	ON/OFF
		KNEE MAX	: OFF	ON/OFF
		KNEE SAT	: 0 OFF	-99 to +99 ON/OFF
		AUTO KNEE	: OFF	OFF/AUTO/ADAPTIVE
		POINT LIMIT	: 0	-99 to +99
		SLOPE	: 0	-99 to +99
<WHITE CLIP>	P7	W-CLIP	[R] [G] [B] [M] : 0 0 0 0 : ON	-99 to +99 ON/OFF
<DETAIL 1>	P8	DETAIL	: ON	ON/OFF
		LEVEL	: 0	-99 to +99
		LIMITER [M]	: 0	-99 to +99
		[WHT]	: 0	-99 to +99
		[BLK]	: 0	-99 to +99
		CRISP	: 0	-99 to +99
<DETAIL 2>	P9	H/V RATIO	: 0	-99 to +99
		FREQ	: 0	-99 to +99
		MIX RATIO	: 0	-99 to +99
		FINE DTL	: 0 OFF	0 to +99 ON/OFF
		KNEE APT	: 0 OFF	-99 to +99 ON/OFF
		DTL COMB	: -50	-99 to 0
<SKIN DETAIL>	P10	SKIN DTL	: OFF	ON/OFF
		SKIN GATE	: OFF	OFF/1/2/3
		CH SW	[1] [2] [3] : (ON) OFF OFF	ON/OFF
		HUE	: AUTO AUTO AUTO	Executing Auto Hue
		PHASE	: 0 0 0	0 to 359
		WIDTH	: 29 29 29	0 to 90
		SAT	: -89 -89 -89	-99 to +99
		LEVEL	: 0 0 0	-99 to +99
<USER MATRIX>	P11	R:	[-R] [-G] [-B] : - 0 0	-99 to +99
		G:	: 0 - 0	-99 to +99
		B:	: 0 0 -	-99 to +99
		MATRIX	: ON	ON/OFF
		PRESET	: -	ON/OFF
		USER MATRIX	: -	ON/OFF

<MULTI MATRIX>	P12	PHASE : 0	0/23/45/68/90/113/135/158/180 /203/225/248/270/293/315/338
		HUE : 0	-99 to +99
		SAT : 0	-99 to +99
		ALL CLEAR	Clearing the values for PHASE, HUE, and SAT
		MATRIX : ON	ON/OFF
		PRESET : ON	ON/OFF
		MULTI MATRIX : OFF	ON/OFF
<CROSS COLOR>	P13	SUPPRESSION : 0 : OFF	0 to 99 ON/OFF
<SATURATION>	P14	LEVEL : 0 : OFF	-99 to +99 ON/OFF
<SHUTTER>	P15	SHUTTER : OFF : 1/100 ^{a)}	OFF/ON/ECS
		ECS FREQ : 30.0Hz ^{b)}	
		SLS : 1 FRAME	1 FRAME to 7 FRAME
		EVS : OFF	ON/OFF/-
<SCENE FILE>	P16	1 2 3 4 5 STORE	1 to 5/-
		STANDARD	
		MEMORY STICK	
		READ (MS→CAM)	
		WRITE (CAM→MS)	
		FILE ID:	
		CAM CODE	
		DATE	

a) NTSC: 1/100, 1/125, 1/250, 1/500, 1/1000, 1/2000
PAL: 1/60, 1/125, 1/250, 1/500, 1/1000, 1/2000
NTSC/sF: 1/60, 1/120, 1/125, 1/250, 1/500, 1/1000
PAL/sF: 1/50, 1/100, 1/125, 1/250, 1/500, 1/1000

b) NTSC: 60.1 to 6000 Hz
PAL: 50.2 to 6000 Hz
NTSC/sF: 30.00 to 6000 Hz
PAL/sF: 25.00 to 6000 Hz

MAINTENANCE Menu

Menu	Page	Items: default setting	Setting values
<AUTO SETUP>	M1	AUTO BLACK	
		AUTO WHITE	
		AUTO LEVEL	
		AUTO WHITE SHADING	
		AUTO BLACK SHADING	
		TEST SIGNAL : OFF	OFF/TEST1/TEST2
<GENLOCK> (effective in the standalone operation only)	M2	H PHASE [COARSE] : 0	-99 to +99
		[FINE] : 0	-99 to +99
		SC PHASE : 0	-99 to +99
		GENLOCK : ENABLE	ENABLE/DISABLE
		VF VIDEO : NORMAL	NORMAL/GENLOCK
<FORMAT>	M3	FORMAT : 59.94I	NTSC: 59.94I/29.97PsF, PAL: 50I/25PsF
		PsF-SHUTTER LINK : OFF	ON/OFF
		CROP : OFF (16:9)	OFF (16:9)/ON (4:3) (BVP-E30WS/ E30WSP only)
<AUTO IRIS>	M4	WINDOW : 1	1/2/3/4/5/6
		OVERRIDE : 0	-99 to +99
		IRIS LEVEL : 0	-99 to +99
		APL RATIO : 80	-99 to +99
		IRIS GAIN : 0	-99 to +99
		AUTO IRIS : ON	ON/OFF
<WHITE SHADING>	M5	[R] [G] [B] [M] V SAW : 0 0 0 0	-99 to +99
		V PARA : 0 0 0 0	-99 to +99
		H SAW : 0 0 0 0	-99 to +99
		H PARA : 0 0 0 0	-99 to +99
		WHITE : 0 0 0 0	-99 to +99
		AUTO WHITE SHADING	
		WHITE SHAD MODE : RGB	RGB/RB
		3D WHITE SHAD : ON	ON/OFF
<BLACK SHADING>	M6	[R] [G] [B] [M] V SAW : 0 0 0 0	-99 to +99
		V PARA : 0 0 0 0	-99 to +99
		H SAW : 0 0 0 0	-99 to +99
		H PARA : 0 0 0 0	-99 to +99
		BLK SET : 0 0 0 0	-99 to +99
		BLACK : 0 0 0 0	-99 to +99
		MASTER GAIN : 0dB	-3/0/3/6/9/12/18/24/30/36/42
		AUTO BLACK SHADING	
		2D BLACK SHAD : ON	ON/OFF
<ENCODER>	M7	CHU COLOR BARS : OFF	ON/OFF
		CB MODE : SMPTE (NTSC)/ FULL(75%) (PAL)	SMPTE/EIA/FULL(75%)/FULL(100%) (NTSC;SMPTE/PAL;FULL(75%) standard)
		Q-FILTER : WIDE	NORMAL/WIDE (NTSC only)

<DATE/TIME>	M8	2000/04/30 08:32	day, time
		DATE TYPE : 1 Y/Mn/D	1 to 6
<OHB MATRIX>	M9	[-R] [-G] [-B] R : - 0 0	-99 to +99
		G : 0 - 0	-99 to +99
		B : 0 0 -	-99 to +99
		PHASE : 0	0/23/45/68/90/113/135/158/180 /203/225/248/270/293/315/338
		HUE : 0	-99 to +99
		SAT : 0	-99 to +99
		OHB MATRIX : OFF	ON/OFF
<OTHERS>	M10	V DTL CREATION : NAM	NAM/Y/G/R+G
		DTL H/V MODE : H/V	H/V V
		TEST2 MODE : 3 STEP	3 STEP/10 STEP
		WHITE SETUP MODE : A. LVL	A. LVL/AWB
		V BLANKING : 20H	19H/20H/21H (NTSC only)
		FLT WHT MEM : ON	ON/OFF
		WHITE GAMMA RGB : OFF	ON/OFF
		F. No. DISP : CONTROL	CONTROL/RETURN
		MENU RESUME : OPE & USER	OPE&USER/ALL/OFF
<INITIAL SET>	M11	DESTINATION : UC	UC/J
		ALL PRESET	
		STORE FILE	

FILE Menu

Menu	Page	Items: default setting	Setting values
<OPERATOR FILE>	F1	READ (MS→CAM)	
		WRITE (CAM→MS)	
		PRESET	
		STORE PRESET FILE	
		FILE ID	
		CAM CODE	
		DATE	
<SCENE FILE>	F2	1 2 3 4 5 STORE	
		STANDARD	
		MEMORY STICK	
		READ (MS→CAM)	
		WRITE (CAM→MS)	
		FILE ID	
		CAM CODE	
		DATE	

<REFERENCE>	F3	STORE FILE	
		STANDARD	
		ALL PRESET	
		READ (MS→CAM)	
		WRITE (CAM→MS)	
		FILE ID	
		CAM CODE	
		DATE	
<LENS FILE>	F4	STORE FILE	
		No.	
		NAME	
		F NO	
		SELECT CURRENT LENS : 1	
<OHB FILE>	F5	STORE FILE	
<FILE CLEAR>	F6	PRESET OPERATOR	
		REFERENCE (ALL)	
		10 SEC CLEAR : OFF	
		LENS (CURRENT)	
		OHB BLACK SET	
		OHB WHITE SHADE	
		OHB BLACK SHADE	
		OHB ND OFFSET	
		OHB MATRIX	
		MS FORMAT	

DIAGNOSIS Menu

Menu	Page	Items: default setting	Setting values
<DIAGNOSIS>	D1	ROM : --	
		CAMERA : --	
		OHB : --	
		VA : --	
		DPR : --	
		IF : --	
		AT : --	
		HUR : 0H	
		RM : NC	
		CA-570 : --	
		MD : --	
		AU : --	
		TR : --	

Note

If NG appears, consult your Sony service personnel.

Specifications

Pick-up device

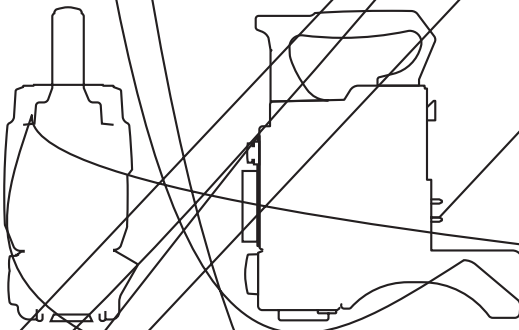
Pick-up device 2/3-type, interline transfer CCD
Device configuration RGB 3-CCD system
Picture elements BVP-E30/E30WS: 980 (h) × 988 (v)
BVP-E30P/E30WSP:
980 (h) × 1164 (v)

Optical specifications

Spectral system F1.4 prism system
Built-in filters ND filters
1: Clear
2: 1/4 ND
3: 1/16 ND
4: 1/64 ND
Color temperature conversion filters
(BVP-E30/E30WS/E30WSP only)
A: Cross filter
B: 3200K (Clear)
C: 4300K
D: 6300K

General

Power requirements 12 V DC (10.7 to 17 V DC)
Power consumption 13 W
Operating temperature -20°C to +45°C (-4°F to +113°F)
Storage temperature -20°C to +60°C (-4°F to +140°F)
Mass Approx. 2.4 kg (5 lb 5 oz) (not including viewfinder)
Dimensions



Electrical characteristics

Sensitivity 2,000 lux (F11, typical)
Reflection ratio of 89.9%
Minimum subject illumination About 0.25 lux (F1.4, +42 dB gain)
Video signal-to-noise ratio BVP-E30/E30WS: -67 dB (typical)
BVP-E30P/E30WSP: -65 dB (typical)
Modulation BVP-E30/E30P:
80% (typical) at 5 MHz
BVP-E30WS/E30WSP:
80% (typical) at 5 MHz (16:9)
60% (typical) at 5 MHz (4:3)
Smear -145 dB (typical)
Dynamic range 600%

Input connectors

MIC XLR 3-pin, female (1)
-60 dBu (adjustable to -20 dBu with the CCL), balanced

Output connectors

TEST OUT BNC-type (1)
1.0 Vp-p, 75-ohm terminated
VF 20-pin (1)

Input/output connectors

LENS 12-pin (1)
CA 68-pin (2)

Supplied accessories

Operation Manual (English version) (1) (Japanese version is provided only for NTSC models.)
CD-ROM Operation Manual (1)
Label for assignable button and handle buttons (1 set)

Optional accessories

For BVP-E30/E30WS

BVF-10 1.5-type Black-and-White Viewfinder
BVF-20W 2-type Black-and-White Viewfinder
BVF-55 5-type Black-and-White Viewfinder
CA-570/950 Camera Adaptor

For BVP-E30P/E30WSP

BVF-10CE 1.5-type Black-and-White Viewfinder
BVF-20WCE 2-type Black-and-White Viewfinder
BVF-55CE 5-type Black-and-White Viewfinder
CA-570P/950P Camera Adaptor

Common to BVP-E30/E30P/E30WS/E30WSP

WLL-CA55 Wireless Camera Transmitter
 CAC-12 Microphone Holder
 VCT-14 Tripod Adaptor
 VFH-550 5-inch Viewfinder Sports Hood
 Memory Stick

Recommended equipment

WLL-RX55 Wireless Camera Receiver Unit
 CCU-550D/550DP/700A/700AP/900/900P Camera
 Control Unit
 MSU-700A/750 Master Setup Unit
 RCP-700/750-series Remote Control Panel
 RM-B150/B750 Remote Control Unit
 VCS-700 Video Selector
 CNU-500/700 Camera Command Network Unit

Design and specifications are subject to change without notice.

BVF-10/10CE/20W/20WCE Viewfinder (Optional)

Power requirements 9.3 V DC
 Power consumption
 BVF-10/10CE: 1.6 W
 BVF-20W/20WCE: 2.3 W
 Operating temperature -20°C to +45°C (-4°F to +113°F)
 Storage temperature -20°C to +60°C (-4°F to +140°F)
 Dimensions (w/h/d)
 BVF-10/10CE:
 229 × 76 × 215 mm
 (9 1/8 × 3 × 8 1/2 inches)
 BVF-20W/20WCE:
 239 × 76 × 215 mm
 (9 1/2 × 3 × 8 1/2 inches)
 Mass BVF-10/10CE: 530 g (1 lb 3 oz)
 BVF-20W/20WCE: 580 g (1 lb 4 oz)
 CRT BVF-10/10CE: 1.5-type monochrome
 BVF-20W/20WCE: 2-type monochrome
 Horizontal resolution 600 TV lines (at center)
 Indicators REC/TALLY, BATT, VTR SAVE, !
 Accessories supplied
 Microphone (1)

Accessories not supplied

BKW-401 Viewfinder Rotation Bracket
 Fog-proof filter (Part No. 1-547-341-12)
 Lens assembly (farsighted) (-2.8 D to +2.0 D)
 (Part No. A-8262-537-A)
 Lens assembly (low magnification) (-3.6 D to -0.8 D)
 (Part No. A-8262-538-A)
 Lens assembly (standard magnification with special compensation for aberrations)
 (-3.6 D to +0.4 D)
 (Part No. A-8267-737-A)
 Lens assembly (high-performance triple magnification)
 (-2.42 D to +0.5 D)
 (Part No. A-8314-798-A)
 Lens assembly (compensation for distortion)
 (-3.5 D to +0.4 D)
 (Part No. A-8328-756-A)
 Cushioned eyecup
 • Pad (Part No. X-3678-187-1)
 • Attachment (Part No. 3-682-494-02)

Design and specifications are subject to change without notice.

The material contained in this manual consists of information that is the property of Sony Corporation and is intended solely for use by the purchasers of the equipment described in this manual.

Sony Corporation expressly prohibits the duplication of any portion of this manual or the use thereof for any purpose other than the operation or maintenance of the equipment described in this manual without the express written permission of Sony Corporation.

Sony Corporation
B & P Company

<http://www.sony.net/>

BVP-E30 series (UC/CE)



Printed in Belgium
2004.05.08
© 2004

Free Manuals Download Website

<http://myh66.com>

<http://usermanuals.us>

<http://www.somanuals.com>

<http://www.4manuals.cc>

<http://www.manual-lib.com>

<http://www.404manual.com>

<http://www.luxmanual.com>

<http://aubethermostatmanual.com>

Golf course search by state

<http://golfingnear.com>

Email search by domain

<http://emailbydomain.com>

Auto manuals search

<http://auto.somanuals.com>

TV manuals search

<http://tv.somanuals.com>