

- U.S. DOE Compliant for Water and Energy Standards
- ADA Compliant
- Ultra High Efficient With High Speed Extract and Low Water Consumption

MULTI-HOUSING Manual Control

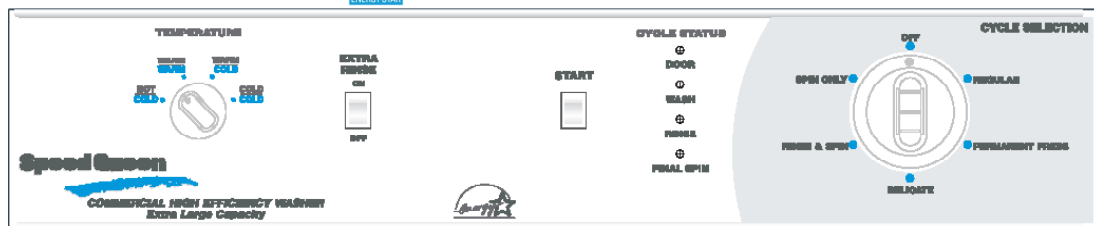
Commercial
Front Load Washer

Rear Control

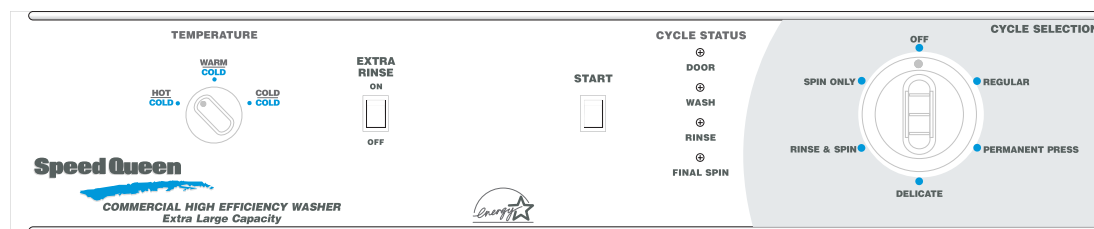
Speed Queen®



ENERGY STAR® Qualified



LTSAOAWN



LFNAORSP111TW01

RELIABLE COMMERCIAL PRODUCTS

Large Door Opening
With Stainless Steel Hinge



Multi-Compartment
Supply Dispenser

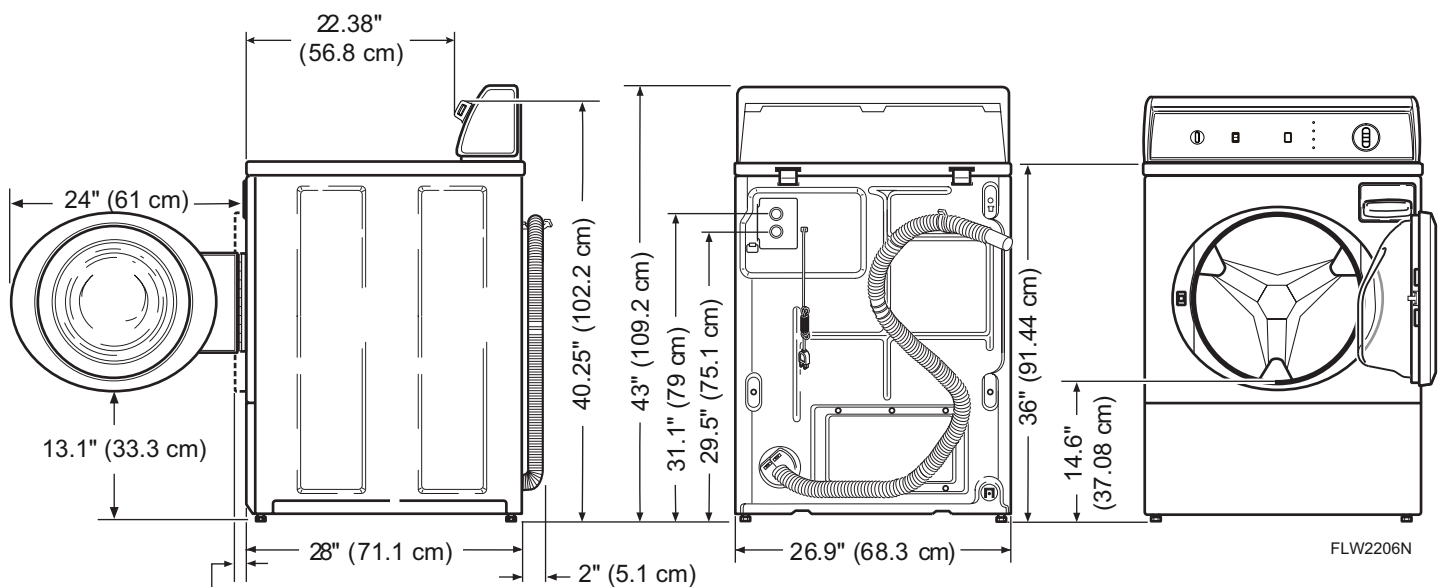


- Durable Stainless Steel Washtub
- High Speed Extract of 1000 RPM Spins Clothes Out Drier
- Energy Efficient Wash Cycles
- Door Swing 180°

MANUAL FRONT LOAD WASHER SPECIFICATIONS

REAR CONTROL	L TSAOAWN	LFNAORSP111TW01
Activation	Manual	Manual
Appearance		
Color	White	White
Control Panel Selection	Rear	Rear
Water and Energy Info		
Modified Energy Factor "MEF" ft ³ /kWh/cycle (Liters/kWh/cycle)	2.04 (57.77)	2.24 (63.44)
Water Factor "WF" - gal/ft ³ (Liters/Liter/cycle)	4.9 (0.65)	4.5 (0.6)
Water Consumption - gal (Liter)	13.9 (52.6)	12.8 (48.4)
Average Hot Water - gal (Liter)	1.74 (6.6)	1.59 (6.0)
Technical Info		
Weight - lb (kg)	230 (105)	230 (105)
Shipping Weight - lb (kg)	250 (113)	250 (113)
Electrical Requirements	120/60/1 15 amp	120/60/1 15 amp
Overall Dimensions - WxDxH in (mm): 26 7/8" (683) x 28" (711) x 43" (1092)		
Stainless Steel Basket Volume - cu. ft. (liters)	2.84 (80)	2.84 (80)
Wash Temp - Hot/Cold, Warm/Cold, Cold/Cold		
Motor	1 HP 750 W	1 HP 750 W
Water Pressure psi (Bar) Pressure Fill 20 to 120 psi	1.4/8.3	1.4/8.3
Spin Speeds - RPM	500, 650, 1000	500, 650, 1000
Drain	Pump	Pump
Performance/Features		
Extra-Large Capacity		
Freestanding Front Load Washer		
Agency Approval	cULus	cULus

For the most accurate information, the installation guide should be used for all design and construction purposes. Due to continuous product improvements, design and specifications subject to change without notice. The quality management system of Alliance Laundry Systems' Ripon facility has been registered to ISO9001:2008.



Free Manuals Download Website

<http://myh66.com>

<http://usermanuals.us>

<http://www.somanuals.com>

<http://www.4manuals.cc>

<http://www.manual-lib.com>

<http://www.404manual.com>

<http://www.luxmanual.com>

<http://aubethermostatmanual.com>

Golf course search by state

<http://golfingnear.com>

Email search by domain

<http://emailbydomain.com>

Auto manuals search

<http://auto.somanuals.com>

TV manuals search

<http://tv.somanuals.com>