



USER'S MANUAL

LC-1511

LC-1521

DOT MATRIX PRINTERS

Federal Communications Commission Radio Frequency Interference Statement

The 120V version equipment has been tested and found to comply with the limits for a Class B digital device, pursuant to Part 15 of FCC Rules. These limits are designed to provide reasonable protection against harmful interference in a residential installation. This equipment generates, uses and can radiate radio frequency energy and, if not installed and used in accordance with the instructions, may cause harmful interference to radio communications. However, there is no guarantee that interference will not occur in a particular installation. If this equipment does cause harmful interference to radio or television, which can be determined by turning off and on, the user is encouraged to try to correct the interference by one or more of the following measures.

- Reorient or relocate the receiving antenna.
- Increase the separation between the equipment and receiver.
- Connect the equipment into an outlet on a circuit different from that to which the receiver is connected.
- Consult the dealer or an experienced radio/TV technician for help.

Unauthorized modifications of this product by the user will void his authority to operate the equipment unless expressly approved by the party responsible for compliance.

For compliance with the Federal Noise Interference Standard, this equipment requires a shielded cable.

The 220V version equipment has been tested and found to comply with the limits for a Class A digital device, pursuant to Part 15 of the FCC Rules. These limits are designed to provide reasonable protection against harmful interference when the equipment is operated in a commercial environment. This equipment generates, uses, and can radiate radio frequency energy and, if not installed and used in accordance with the instruction manual, may cause harmful interference to radio communications.

Operation of this equipment in a residential area is likely to cause harmful interference in which case the user will be required to correct the interference at his own expense.

For compliance with the Federal Noise Interference Standard, this equipment requires a shielded cable.

The above statement applies only to printers marketed in the U.S.A.

Statement of The Canadian Department of Communications Radio Interference Regulations

This digital apparatus does not exceed the Class B limits for radio noise emissions from digital apparatus set out in the Radio Interference Regulations of the Canadian Department of Communications.

Le présent appareil numérique n'émet pas de bruits radioélectriques dépassant les limites applicables aux appareils numériques de la classe B prescrites dans le Règlement sur le brouillage radioélectrique édicté par le Ministère des Communications du Canada.

The above statement applies only to printers marketed in Canada.

CE Manufacturer's Declaration of Conformity

EC Council Directive 89/336/EEC of 3 May 1989

This product, has been designed and manufactured in accordance with the International Standards EN 50081-1/01.92 and EN 50082-1/01.92, following the provisions of the Electro Magnetic Compatibility Directive of the European Communities as of May 1989.

EC Council Directive 73/23/EEC and 93/68/EEC of 22 July 1993

This product, has been designed and manufactured in accordance with the International Standards EN 60950, following the provisions of the Low Voltage Directive of the European Communities as of July 1993.

The above statement applies only to printers marketed in EU.

Ambient Noise Statement

Machine Noise Information Ordinance 3. GSGV, January 18, 1991: The sound pressure level at the operator position is equal or less than 70 dB(A) according to ISO 7779.

The above statement applies only to printers marketed in EU.

Trademark acknowledgments

FR-15, IS-8H192, IS-32H768, LC-1511, LC-1521, PT-15HA, SF-15HA, SPC-8K, XR-1500, XR-1520, ZA-250:
Star Micronics Co. Ltd.

EX-800, FX-1170: Seiko Epson Corporation

IBM PC, IBM Proprinter, IBM Proprinter II, IBM Proprinter III, OS/2:
International Business Machines Corporation.

TrueType: Apple Computer Inc.

MS-DOS, Microsoft Windows, Windows 3.1, Windows 95: Microsoft Corporation

Notice

- All rights reserved. Reproduction of any part of this manual in any form whatsoever, without STAR's express permission, is strictly forbidden.
- The contents of this manual are subject to change without notice.
- All efforts have been made to ensure the accuracy of the contents of this manual at the time of printing. However, should any errors be found, STAR would greatly appreciate being informed of them.
- The above notwithstanding, STAR can assume no responsibility for any errors in this manual.

© Copyright 1995 Star Micronics Co., Ltd.

About this manual

This manual describes how to set up, use, and care for the Star LC-1511 and LC-1521 printers. The following is a list of what you can expect to find in each chapter.

- Chapter 1** Choosing a place for your printer, unpacking and setup, ribbon cassette installation, loading paper, connecting to your computer
- Chapter 2** How to use the control panel
- Chapter 3** How to use the printer's Electronic DIP Switch (EDS) Mode to set up the printer to match the needs of your system and software
- Chapter 4** Installing, starting up and using the User Setup Utility
- Chapter 5** How to set up for printing with Microsoft Windows 3.1, how to prepare for printing, how to print a document
- Chapter 6** How to set up for printing with Microsoft Windows 95, how to prepare for printing, how to print a document
- Chapter 7** How to set up for printing with IBM OS/2 Warp, how to prepare for printing, how to print a document
- Chapter 8** How to set up for printing with MS-DOS
- Chapter 9** Selecting the best type of paper, adjusting for paper thickness, manual sheet feeding, clearing paper jams
- Chapter 10** Optional accessories that are available for your printer
- Appendix A** How to deal with printing problems
- Appendix B** Specifications
- Appendix C** Interface information
- Appendix D** Character sets
- Appendix E** Printer control codes
- Appendix F** Glossary
- Appendix G** Control panel operation guide

Contents

Chapter 1: Printer Setup ... 1

- Choosing a place for the printer ... 1
- Unpacking the printer ... 2
- General guide ... 3
- Opening the front cover ... 4
- Removing the protective materials ... 4
- Installing the platen knob ... 6
- Installing the ribbon cassette ... 6
- Removing the ribbon cassette ... 8
- Installing the paper guide ... 9
- Standing up the paper guide ... 10
- Connecting to a power outlet and turning power on and off ... 11
- Loading fanfold paper ... 12
- Printing on fanfold paper ... 16
- Parking fanfold paper ... 17
- Unparking fanfold paper ... 17
- Using the tear-off function ... 18
- Connecting to your computer ... 18

Chapter 2: Control Panel Operations ... 20

- Switching between on-line and off-line ... 20
- Selecting a font ... 21
- Entering the Font Lock Mode ... 21
- Setting the character pitch ... 22
- Entering the Pitch Lock Mode ... 22
- Line feed ... 23
- Paper eject (cut-sheet paper) ... 23
- Form feed (fanfold paper) ... 23
- Parking fanfold paper ... 23
- Micro feed ... 23
- Setting the top of form position ... 24
- Tear-off function (fanfold paper) ... 24
- Selecting the Quiet Print Mode ... 24
- Changing the auto load position ... 25
- Saving a macro ... 26
- Clearing the printer's buffer ... 26
- Initializing the printer ... 27
- Entering the Multi-part Mode ... 27

Chapter 3: Using the EDS Mode ... 28

- About EDS Mode settings ... 28
- Entering the EDS Mode ... 28
- Selecting a bank ... 29
- Selecting a switch ... 29
- Changing a switch setting ... 29
- Printing the current switch settings ... 30
- Checking the settings of switches in a bank ... 30
- Exiting the EDS Mode ... 30
- EDS Mode Settings ... 31

Chapter 4: User Setup Utility ... 40

- Installing the User Setup Utility ... 40
- Starting the User Setup Utility ... 41
- Changing the General, Font, Paper and Adjust Settings ... 42
- Adjusting the dot alignment ... 43
- Changing the printer port ... 44
- Saving setup data in a configuration file ... 44
- Importing setup data from a configuration file ... 45
- Returning to default settings ... 45
- Exiting the User Setup Utility ... 45
- Using the Help menu ... 45

Chapter 5: Using the Printer with Windows 3.1 ... 46

- Setting up for printing with Microsoft Windows 3.1 ... 46
- Getting ready to print ... 48
- Printing a document ... 49
- Installing TrueType fonts ... 50
- Selecting fonts in Windows applications ... 51

Chapter 6: Using the printer with Windows 95 ... 52

- Setting up the printer in Windows 95 ... 52
- Preparing to print ... 55
- Printing a document ... 57
- Installing TrueType fonts ... 58

Chapter 7: Using the Printer with OS/2 Warp ... 59

- Setting up for printing with OS/2 Warp ... 59
- Getting ready to print ... 60
- Printing a document ... 60

Chapter 8: Using the Printer with MS-DOS ... 61

Setting up for printing with MS-DOS ... 61

Chapter 9: Paper Handling ... 62

Selecting paper types ... 62

Adjusting for paper thickness ... 63

Automatic fanfold feeding ... 64

Manual sheet feeding ... 64

Clearing paper jams ... 65

Chapter 10: Optional Accessories ... 66

Automatic Sheet Feeder (SF-15HA) ... 66

Pull Tractor Unit (PT-15HA) ... 67

Serial Interface Unit (IS-8H192 and IS-32H768) ... 67

Serial-to-Parallel Converter (SPC-8K) ... 69

Appendix A: Troubleshooting ... 70

Appendix B: Specifications ... 81

Appendix C: Interface Pin Outs ... 84

Appendix D: Character Sets ... 85

Appendix E: Printer Control Codes ... 95

Appendix F: Glossary ... 100

Appendix G: Control Panel Operation Guide ... 101

Chapter 1: Printer Setup

This chapter contains important information on setting up your printer. Be sure to read this chapter carefully before using the printer for the first time. In this chapter you will learn about:

- Choosing a place for the printer
- Unpacking and setting up the printer
- Installing the platen knob
- Installing the ribbon cassette
- Loading paper
- Connecting to your computer

Choosing a place for the printer

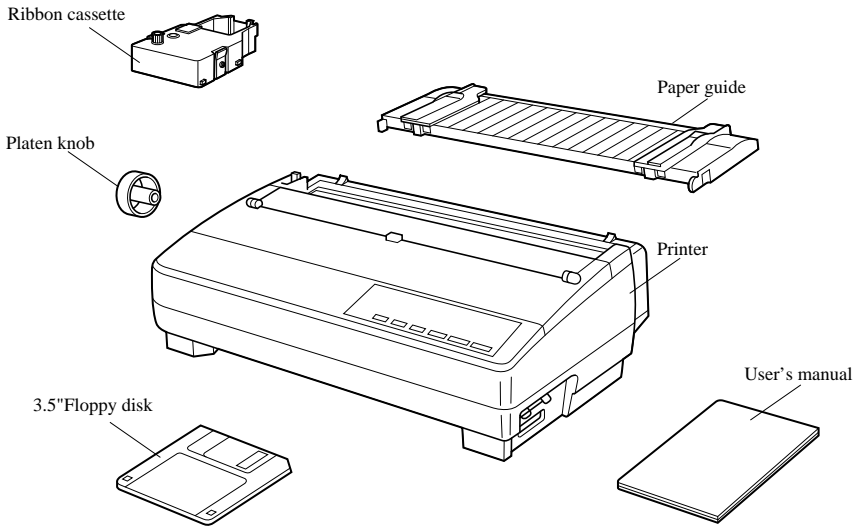
Before actually unpacking the printer, you should take a few minutes to think about where you plan to use it. Remember the following points when doing this.

- ✓ Choose a firm, level surface where the printer will not be exposed to vibration.
- ✓ The power outlet you plan to connect to for power should be nearby and unobstructed.
- ✓ Make sure that the printer is close enough to your computer for you to connect the two with your printer cable.
- ✓ Allow six inches (15 centimeters) of free space on either side of the printer. If you are going to use fanfold paper, make sure that there is adequate space for paper behind the printer.
- ✓ Make sure that the printer is not exposed to direct sunlight.
- ✓ Make sure that the printer is well away from heaters.
- ✓ Make sure that the surrounding area is clean, dry, and free of dust.
- ✓ Make sure that the printer is connected to a reliable power outlet. It should not be on the same electric circuit as copiers, refrigerators, or other appliances that cause power spikes.
- ✓ Use a power outlet that matches the power rating noted on the label affixed to the bottom of your printer.
- ✓ Make sure that the room where you are using the printer is not too humid.

2 *Printer Setup*

Unpacking the printer

Check to make sure that the carton contains each of the items shown in the following illustration.



If anything is missing, contact the store where you bought the printer and ask them to supply the missing part. Note that it is a good idea to keep the original box and all the packing materials just in case you need to pack the printer up again and send it somewhere at a later date.

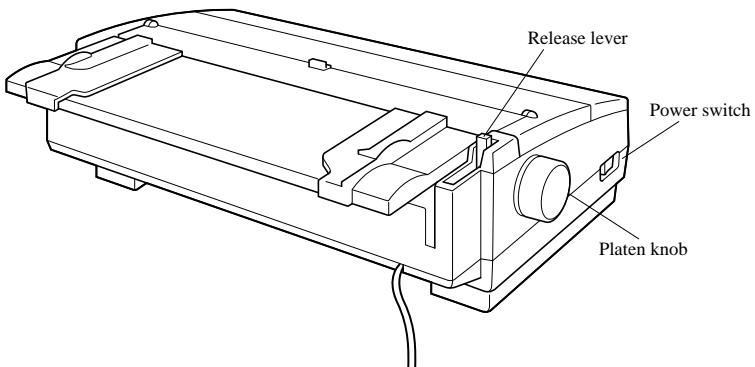
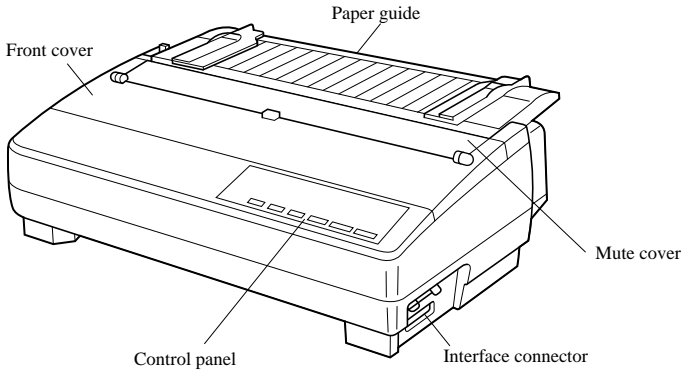
A serial-to-parallel interface converter (SPC-8K), a serial interface unit (IS-8H192 or IS-32H768), a pull tractor (PT-15HA), and an Automatic Sheet Feeder (SF-15HA) are also available as options. Consult your dealer for details.

Important!

There are several versions of this printer designed for different voltages. It is not possible to change the voltage of a printer. If the voltage shown on the label on the bottom of your printer does not match the voltage for your area, contact your dealer immediately.

General guide

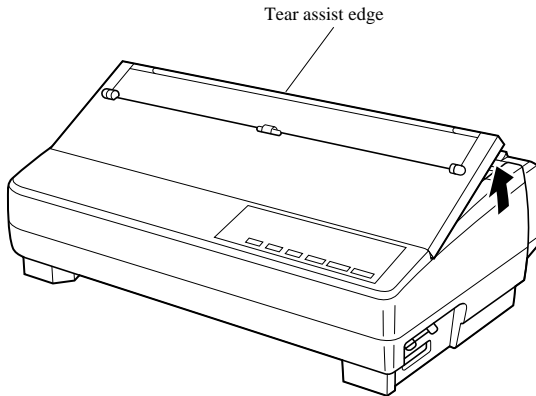
The following illustrations show the major components of your printer.



4 Printer Setup

Opening the front cover

- Lift up on the front cover and swing it open until it stops.



- To close the front cover, simply lower it back into place.

Caution!

The tear assist edge is rather sharp. Take care to avoid injuring your hands.

Note:

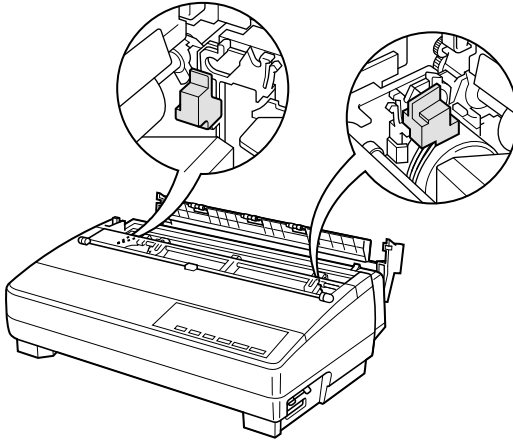
You can completely remove the front cover from the printer or you can stand it up. You should normally leave the front cover closed, because it protects against objects getting into the printer, and it cuts down on printer noise.

Removing the protective materials

Two small pieces of packing material are inserted into the printer to protect components during shipping. Be sure to remove them before using the printer.

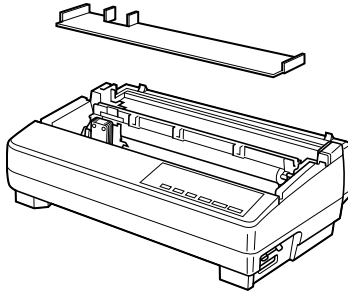
- Open the rear cover by pushing it back so that the cover swings back and down.

- Remove the two white pieces of packing from inside the printer as shown in the illustration.



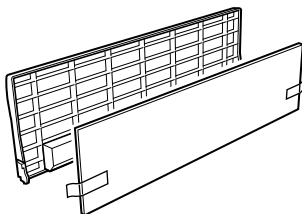
A piece of cardboard is inserted into the printer to protect components during shipping. Be sure to remove it before using the printer.

- Open the front cover.
- Remove the cardboard from the inside of the front cover as shown in the illustration.



In addition, remove the cardboard from the back of the paper guide.

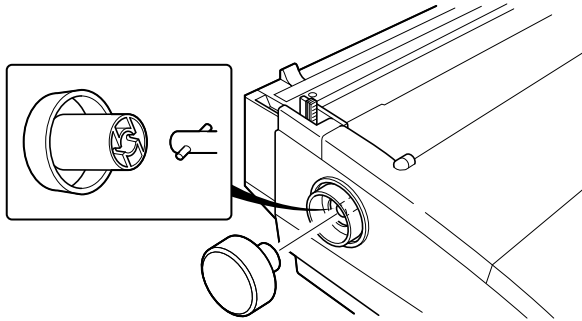
- Remove the tape.
- Remove the cardboard from the paper guide as shown in the illustration.



Installing the platen knob

The platen knob is packed into a recess in the packaging material.

- Install the knob on the shaft located inside the large hole on the left side of the printer. Make sure that the two splines of the platen shaft inside the printer fit into the slots inside the knob's spindle. Press the knob carefully but firmly into place as far as it will go.



Installing the ribbon cassette

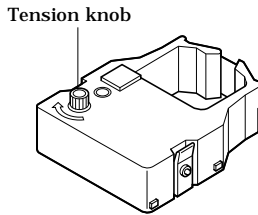
- Make sure the printer is unplugged from its power outlet.

Caution!

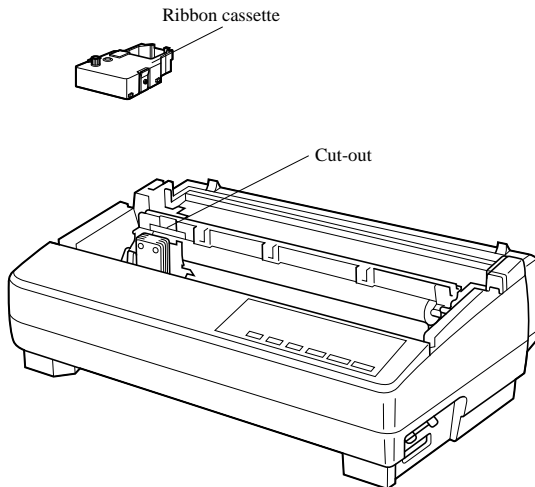
Never move the print head while the printer is turned on. Doing so can damage the printer. If you have just finished printing, let the print head cool for a few minutes before you touch it.

- Remove the front cover of the printer.
- Remove the ribbon cassette from its package.

- ❑ Rotate the knob on the ribbon cassette clockwise to take up any slack in the ribbon.

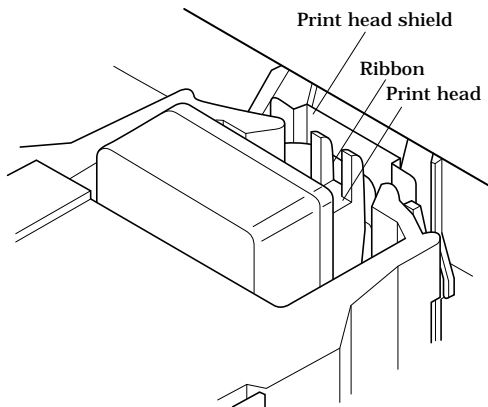


- ❑ By hand, move the cartridge holder to the left side where there is a cut-out in the top guide to allow easy installation and removal of the ribbon cassette.
- ❑ Carefully place the cassette onto the cartridge holder making sure that the spindle of the holder fits into the socket on the bottom of the cassette. Also make sure that the side tabs fit into the grooves on the sides of the cartridge holder.



8 *Printer Setup*

- While guiding the ribbon between the print head and print head shield, press down gently but firmly on the cartridge until the side tabs snap securely into place.



- Rotate the knob on the cassette again to take up any slack.
- Replace the front cover of the printer.

Important!

Printing that is poor quality or too light is almost always due to a ribbon that is simply worn out or “used up.” If you experience problems with print quality, check the condition of the ribbon. If the black part looks gray and well-worn, replace the ribbon with a new one.

Removing the ribbon cassette

Use the following procedure to remove the ribbon cassette from the printer when you want to replace it with a new one.

- Make sure that the printer is unplugged from its power outlet.

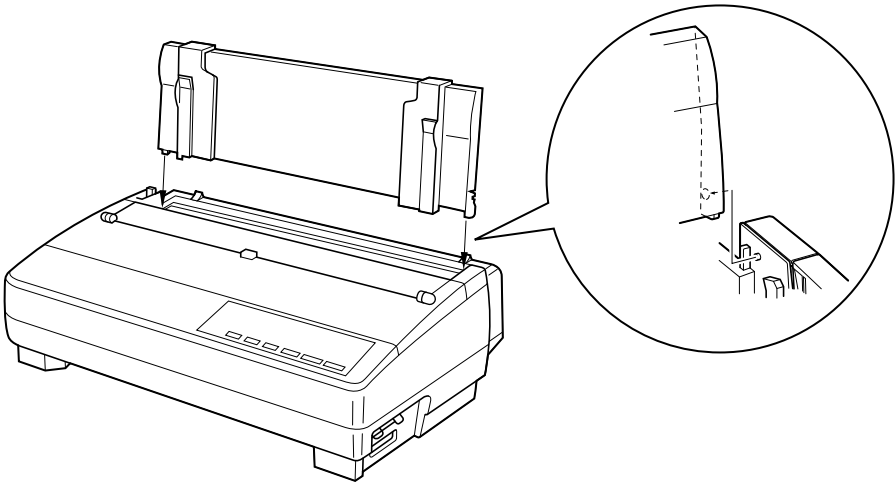
Caution!

Never move the print head while the printer is turned on. Doing so can damage the printer. If you have just finished printing, let the print head cool for a few minutes before you touch it.

- ❑ Open the front cover of the printer.
- ❑ By hand, move the cartridge holder to the left side where there is a cutout in the top guide to allow easy installation and removal of the ribbon cassette.
- ❑ Using your thumb and forefinger to squeeze the two tabs on the ribbon cassette towards the center, carefully remove the cassette from the holder.
- ❑ Use the procedure under “Installing the ribbon cassette” on page 6 to install a new cassette.

Installing the paper guide

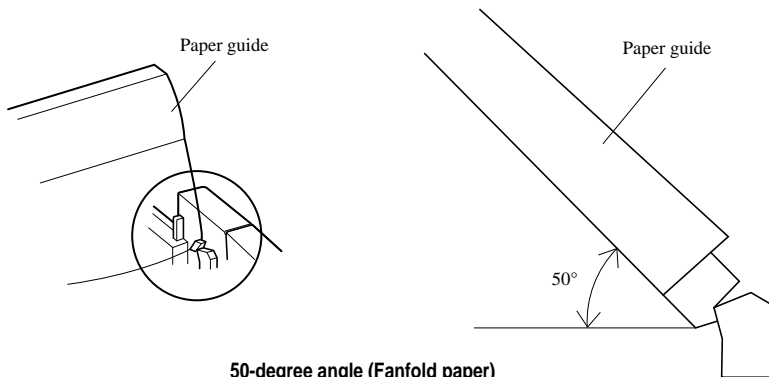
- ❑ Insert the two tabs on the rear cover of the printer into the holes in the bottom of the paper guide.



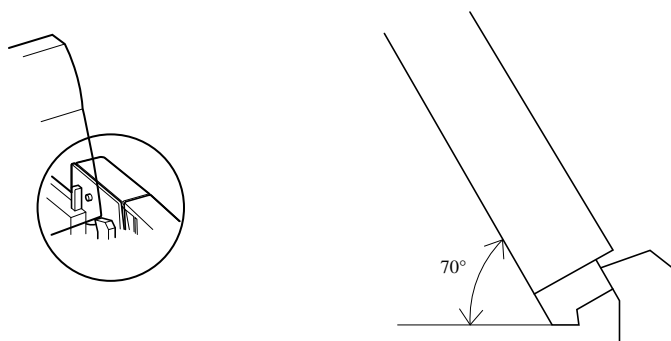
- ❑ To remove the paper guide from the printer, simply pull the tabs out of the holes.

Standing up the paper guide

- ❑ You can move the paper guide so that it is at angles of 50 or 70 as shown in the illustrations below. The correct angle depends on the type of the paper you are using.



50-degree angle (Fanfold paper)



70-degree angle (Cut-sheet paper)

The following table shows the correct angle to use for each type.

Paper Type	Paper Guide Angle
Fanfold	50 degrees
Cut-sheet	70 degrees

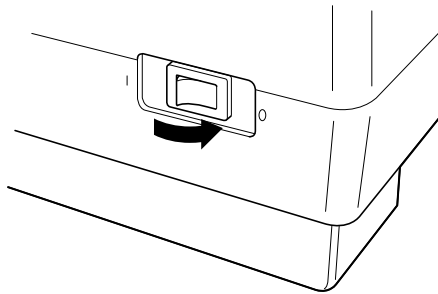
Connecting to a power outlet and turning power on and off

- ❑ Plug the power cord of the printer into a standard power outlet whose voltage matches the power rating noted on the label affixed to the bottom of your printer.

Caution!

If the voltage marked on the bottom of your printer does not match the voltage from the outlet you are using, do not plug in the power cord. Contact your dealer for assistance.

- ❑ Set the switch on the left of the printer to 1 (ON) to turn power on, and to 0 (OFF) to turn power off.



Caution!

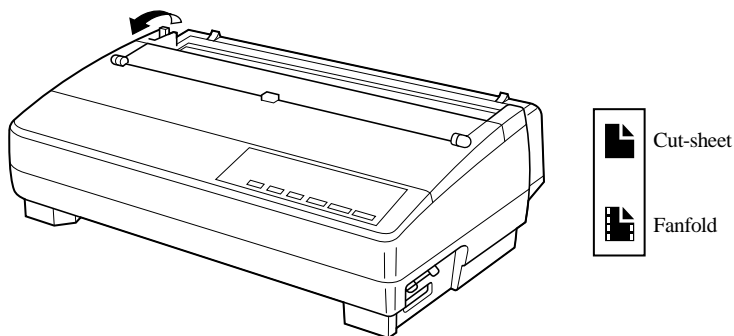
Whenever you turn off the power, wait for at least five seconds before turning it back on. Otherwise you may damage the printer. We also recommend that you unplug the printer from the power outlet whenever you do not plan to use it for long periods. Because of this, you should locate the printer so that the power outlet it is plugged into is nearby and easy to access.

At this point you may want to perform a test of the printer to make sure it is working properly. See “Testing the printer” on page 70 for details on how to perform tests.

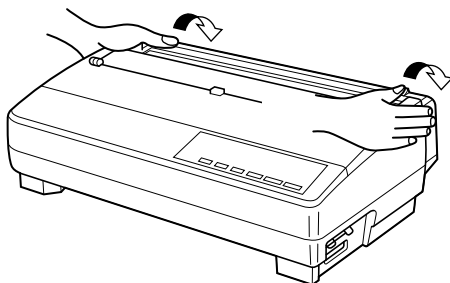
Loading fanfold paper

This section tells you how to load fanfold paper. Note that you can also use cut-sheet paper. For details on using other types of paper, see “Paper Handling” on page 62 of this manual.

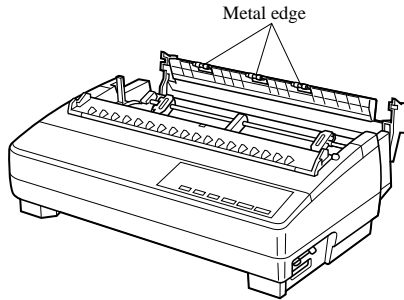
- Remove the paper guide from the printer.
- Make sure printer power is turned off.
- Set the release lever to the fanfold position.



- Grasping the two back corners of the printer with the palms of your hands, press back on the two raised areas on the top of the rear cover until it opens.



- Swing the rear cover back and down until it stops.



Note:

You can also completely remove the rear cover by simply pulling it away from the back of the printer after you open it.

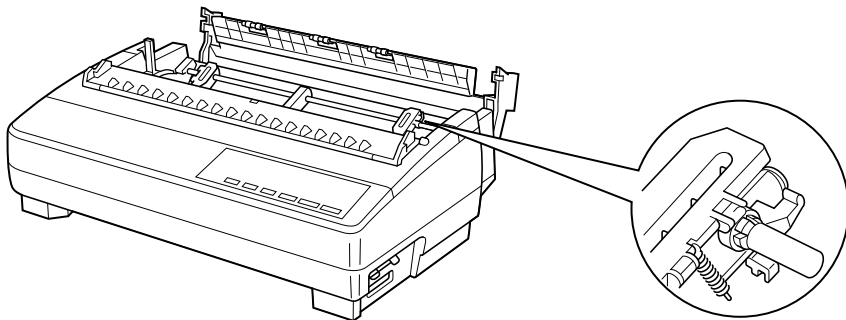
Caution!

The metal edge of the cover is rather sharp. Take care to avoid injuring your hands when handling it.

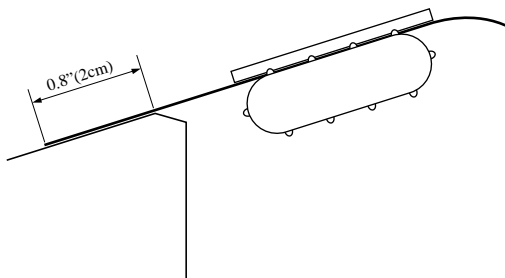
- Pass the fanfold paper through the space between the printer case and the rear cover.
- Unlock the two tractor covers by pulling their gray levers up, and slide them so they are aligned approximately with the holes on the sides of the paper. Also move the center paper support so that it is approximately halfway between the two tractors.
- Open the covers of both tractors and insert the paper so the tractor pins fit.

14 Printer Setup

- ❑ Close the tractor covers. At this point you can make final adjustments to the paper position by releasing the gray levers and moving the tractors. The paper should lie flat with no buckling or bulging (tractors too close) or no stretching or elongation of the holes (tractors too far apart). After making these adjustments, be sure that you re-lock the tractors by pushing the gray levers back into their original positions.



- ❑ Before printing, make sure that the leading edge of the fanfold paper extends about 0.8 inch (two centimeters) past the front the paper chute, as shown in the illustration below.

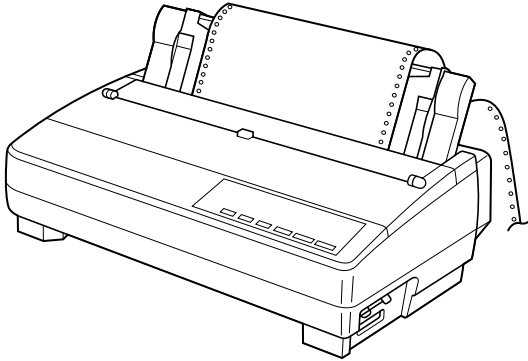


- ❑ Close the rear cover and press down gently on it until it locks into place with a click.

Caution!

Since printing with an open rear cover may cause paper feeding problems, be sure to close the rear cover before printing.

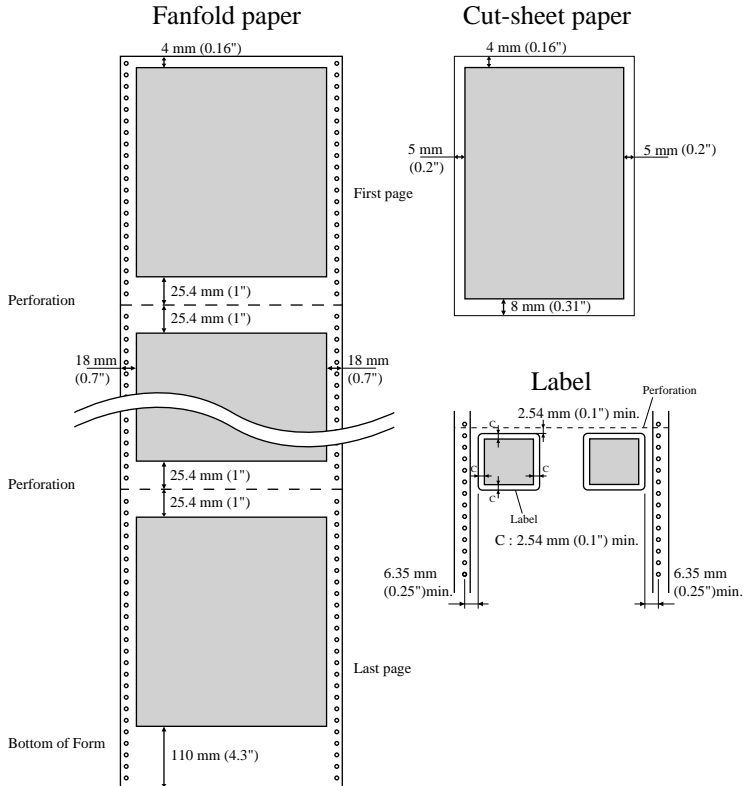
- ❑ Install the paper guide so that it is standing up (at a 50-degree angle) as shown on page 10. In this position, the paper guide keeps the printed paper separate from the unprinted paper. Then slide the right and left paper guides apart so they do not interfere with the fanfold paper feeding.



- ❑ Turn on the printer.
The printer will beep a number of times to indicate that paper is not loaded properly. Also, the control panel's **POWER** indicator flashes whenever paper is not loaded.
- ❑ Press the **SET/EJECT/PARK** button to feed the paper to the starting position.

Printing on fanfold paper

When printing on fanfold paper, take care not to print too close to the perforations that separate each sheet. The following shows the recommended print area for fanfold paper, cut-sheet paper and label paper.



Parking fanfold paper

It is not necessary to remove fanfold paper currently loaded in the printer in order to print on cut-sheet paper. Instead, simply use the following procedure to *park* the fanfold paper.

- Tear off the paper at a perforation so there is no more than half a page sticking out of the front cover of the printer.
If necessary, you can press the control panel's **ON LINE** button to put the printer off-line, and then use the **LINE FEED** button to feed the paper until a perforation is just past the front cover.
- Press the control panel's **ON LINE** button to put the printer off-line.
- Press the control panel's **SET/EJECT/PARK** button. The printer automatically reverse feeds the fanfold paper until it is no longer in contact with the platen, which is indicated by the printer beeping a number of times. Also, the control panel's **POWER** indicator starts to flash because paper is not loaded.
- Move the release lever to the cut-sheet position.
- Change the paper guide to its upright position.
You can now load cut-sheet paper into the printer using the procedures under "Manual sheet feeding" on page 64.

Unparking fanfold paper

After you are finished printing on cut-sheet paper, use the following procedure to unpark fanfold paper and make it available for printing.

- Remove all cut-sheet paper from the printer.
- Move the paper guide so that it is at a 50-degree angle. (Refer to page 10.)
- Move the release lever to the fanfold position.
- Press the **SET/EJECT/PARK** button to feed the paper to the starting position.
The printer automatically goes back on-line at this time.

Using the tear-off function

The following procedure makes it easy to tear off fanfold paper.

- Check to make sure that the printer is on-line.
- Press the **FORM FEED** button to perform the long tear-off operation, or press the **LINE FEED** button to perform the short tear-off operation.

The long tear-off operation causes the paper to be fed automatically so the tear assist edge of the printer cover is aligned with the paper's next perforation.

The short tear-off operation causes the paper to be fed automatically so the tear assist edge of the printer cover is located just below the last line printed on the paper.
- Pull the paper against the tear assist edge to tear it off.

Connecting to your computer

The computer sends data to the printer through a cable. This printer does not come with a cable, so you must purchase one separately. You will probably want to use a standard parallel cable for connection, but note that you can also use an optional serial-to-parallel interface converter (SPC-8K) or an optional serial interface unit (IS-8H192 or IS-32H768).

Important!

The following instructions apply to the Centronics parallel cable that is used with an IBM-compatible personal computer. Note that they do not apply to all types of computers and cables. If you are unsure about what type of cable you should use to connect with your computer, consult your dealer.

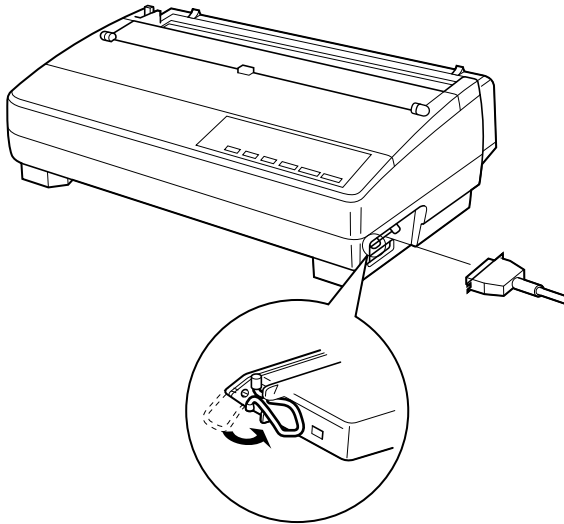
For an IBM-compatible personal computer:

- ✓ Use a standard 36-pin Centronics parallel cable.
- ✓ The parallel cable should be no longer than six feet (two meters). Longer cables can result in poor transfer of information.

Important!

Make sure that the printer and the computer are turned off before connecting them.

- ❑ Plug one end of the parallel cable into the parallel port of your computer. The parallel port should be labeled “Printer,” “Parallel,” “PRN,” “LPT1,” or something similar.
- ❑ Plug the other end of the parallel cable into the socket on the side of the printer and secure it in place with the clips.

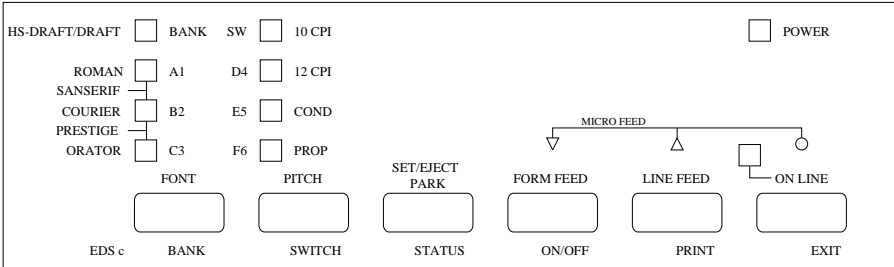


Note:

Consult your dealer for details on how to set up your computer when using the optional SPC-8K serial-to-parallel interface converter or the IS-8H192 (or IS-32H768) serial interface unit.

Chapter 2: Control Panel Operations

The control panel gives you push-button control over the printer's operations. It includes indicator lights, which tell you the current status of the printer at a glance.



This chapter describes control panel functions that can be performed while the printer is turned on and either on-line or off-line. The buttons perform different functions in the EDS and Dot Adjustment Modes. Functions of control panel buttons in these modes are described in the relevant sections covering them.

Switching between on-line and off-line

- Press **ON LINE** to switch the printer between being on-line and off-line.
- When the printer is on-line, the **ON LINE** indicator is lit and the printer can receive data from the computer. You should make sure that the printer is on-line whenever you are trying to print.
- When the printer is in off-line, the **ON LINE** indicator goes out, which means that the printer cannot receive any data.
- Note that you can also press **ON LINE** while a printing operation is in progress to stop the printing.

Important!

Make sure that the on-line/off-line setting of the printer is correct before performing a control panel operation.

Selecting a font

- Make sure the printer is off-line (**ON LINE** indicator is not lit).
- Press **FONT** to change the font selection. An indicator lights to the left of the name of the font that is currently selected. HS-Draft is selected when all font indicators on the LC-1521 are off.

Lit Indicator	Font
DRAFT	Draft
ROMAN	Roman
ROMAN + COURIER	Sanserif
COURIER	Courier
COURIER + ORATOR	Prestige
ORATOR	Orator

Note:

The font setting you make with the above procedure can be changed if the software you are using overrides the setting on the control panel. You can prevent this by using the following procedure to put the printer into the Font Lock Mode when you turn it on.

Entering the Font Lock Mode

When the printer is in the Font Lock Mode, the font settings you make on the control panel are used even if your software tries to override the font. Use the following procedure to enter the Font Lock Mode.

- Turn off the printer.
- While holding down **FONT**, turn printer power on.

The printer is now in the Font Lock Mode. You could enter the Font Lock Mode and Pitch Lock Mode (page 22) at the same time by holding down both **FONT** and **PITCH** when you turn on printer power.

To exit the Font Lock Mode, simply turn the printer off.

Important!

Font lock will not function if you are using Windows Truetype fonts.

Setting the character pitch

The character pitch setting controls how many characters are printed per inch. Use the following procedure to select the pitch you want.

- Make sure the printer is off-line (**ON LINE** indicator is not lit).
- Press **PITCH** to change the pitch selection.

The following shows the meanings of the indicators that light on the control panel when you press **PITCH**.

Lit Indicators	Meaning
10CPI	10 characters per inch (Pica)
12CPI	12 characters per inch (Elite)
10CPI + COND	17 characters per inch (Condensed Pica)
12CPI + COND	20 characters per inch (Condensed Elite)
PROP	Proportional

Note:

The pitch setting you make with the above procedure can be changed if the software you are using overrides the setting from the control panel. You can prevent this by using the following procedure to put the printer into the Pitch Lock Mode when you turn it on.

Entering the Pitch Lock Mode

When the printer is in the Pitch Lock Mode, the pitch settings you make on the control panel are used even if your software tries to override the pitch. Use the following procedure to enter the Pitch Lock Mode.

- Turn off the printer.
- While holding down **PITCH**, turn printer power on.

The printer is now in the Pitch Lock Mode. You could enter the Pitch Lock Mode and Font Lock Mode (page 21) at the same time by holding down both **FONT** and **PITCH** when you turn on printer power.

To exit the Pitch Lock Mode, simply turn the printer off.

Important!

Pitch lock will not function if you are using Windows Truetype fonts.

Line feed

- Make sure the printer is off-line (**ON LINE** indicator is not lit).
- Press **LINE FEED** once to feed paper one line. Holding down **LINE FEED** continually feeds paper, one line at a time, until you release the button.

Paper eject (cut-sheet paper)

- Make sure the printer is off-line (**ON LINE** indicator is not lit).
- Press **SET/EJECT/PARK** to eject the paper.
- After the paper is ejected, the printer will beep and the **POWER** indicator will flash to indicate there is no paper in the printer.

Form feed (fanfold paper)

- Make sure the printer is off-line (**ON LINE** indicator is not lit).
- Press **FORM FEED** and the printer will automatically feed the paper to the top of the next page.

Parking fanfold paper

- Make sure the printer is off-line (**ON LINE** indicator is not lit).
- Press the control panel's **SET/EJECT/PARK** button.
- The printer automatically reverse feeds the fanfold paper until it is no longer in contact with the platen.

Micro feed

Use the following operation to feed the paper in very small increments. This makes it possible to align the print head exactly where you want it.

- Make sure the printer is off-line (**ON LINE** indicator is not lit).
- While holding down **ON LINE**, press **LINE FEED** to feed the paper forward or **FORM FEED** to feed the paper backward.

Setting the top of form position

The current position of paper loaded in the printer is automatically set as the top of the page whenever you turn power on. You can also use the following procedure at any time to specify a different position as the top of the page.

- Make sure the printer is off-line (**ON LINE** indicator is not lit).
- Use the micro feed operations (see above) to move the paper so that the print head is located where you want the new top of form position to be.
- While holding down **FONT**, press **SET/EJECT/PARK**.

The printer will beep once to indicate that a new top of form position has been set.

Tear-off function (fanfold paper)

This procedure feeds fanfold paper to a position where it can be torn off easily.

- Check to make sure that the printer is on-line.
- Press the **FORM FEED** button to perform the long tear-off operation, or press the **LINE FEED** button to perform the short tear-off operation.

The long tear-off operation causes the paper to be fed automatically so the tear assist edge of the printer cover is aligned with the paper's next perforation.

The short tear-off operation causes the paper to be fed automatically so the tear assist edge of the printer cover is located just below the last line printed on the paper.

- Pull the paper against the tear assist edge to tear it off.
- When you resume printing, the printer reverse feeds the paper to its former position.

Selecting the Quiet Print Mode

The Quiet Print Mode lets you print with less noise than that produced with normal printing. Use the following procedure to enter and exit the Quiet Print Mode.

Important!

Though the Quiet Print Mode prints more quietly, it also causes printing to take considerably longer than normal printing.

- Make sure the printer is on-line (**ON LINE** indicator is lit).
- Press **SET/EJECT/PARK**, to toggle between the Quiet Print Mode and normal printing.
The printer emits one short beeps when the Quiet Print Mode is selected, and two short beep when normal printing is selected.

Changing the auto load position

Normally the printer automatically feeds paper to a standard position (1/6-inch from the top of the paper). This is called the auto load position. You can use the following procedure to specify a different auto load position.

- Make sure the printer is off-line (**ON LINE** indicator is not lit).
- While holding down **ON LINE**, press **SET/EJECT/PARK** and then release the two buttons.
The printer will automatically eject the cut-sheet that is in the printer, or reverse feed fanfold paper until it is no longer in contact with the platen. Also, all the font and pitch indicators on the control panel will light.
- Press **SET/EJECT/PARK** to feed the paper to the starting position.
- Feed the paper so the print head is located where you want the new auto load position to be.
Press **LINE FEED** to feed the paper forward and **FORM FEED** to feed the paper backward. This is the micro feed operation.
- After you have the paper at the position you want, hold down **ON LINE** and press **LINE FEED** to make the current print head position the new auto load position. The printer will beep twice to indicate that the new auto load position is set.
- To clear the new auto load position and return to the one that you set previously (using the above procedure), press **ON LINE**. To clear the currently set auto load position and return to the standard position (1/6-inch from the top of the paper), hold down **ON LINE** and press **SET/EJECT/PARK**.

Note:

The auto load position you set remains in effect until you turn the printer off. If you want to save the auto load position in memory, press FORM FEED instead of LINE FEED while holding down ON LINE in the above step.

Saving a macro

Normally, any settings you make on the control panel are cleared when you turn the printer off. Use the following procedure to save the current control panel settings so that they are used whenever you turn the printer on.

- Make the control panel settings you want.
- Use **ON LINE** to put the printer off-line (**ON LINE** indicator is not lit).
- Hold down **FONT** and then **PITCH**. Keep both buttons held down until the printer beeps twice.

Pressing **FONT** normally changes the font setting, so when you press it in the above step the indicator for the next font lights. Pressing **PITCH**, however, returns the font setting to what it was before you pressed **FONT**. This procedure saves the following settings.

- Current font and pitch settings
- Quiet Print Mode status

These items can be set separately for the Standard mode and the IBM mode.

- To clear saved control panel settings repeat the above procedure, but keep **FONT** and **PITCH** depressed after the printer beeps twice. Soon the printer will beep again three times to indicate that the saved control panel settings have been cleared.

Clearing the printer's buffer

When the printer receives data from a computer, it temporarily stores it in a memory called a buffer. If you stop a printing job partway through, there is the chance that some data will remain in the buffer. The following procedure clears the printer's buffer by deleting any data that might be there.

- Execute the necessary command in the program you are using to stop the print job.

Important!

Be sure to stop the print job before taking the printer off line. Otherwise, the print job will resume from where you interrupted it when you put the printer back on-line.

- Use **ON LINE** to take the printer off line (**ON LINE** indicator is not lit).
- Hold down **FONT** and then **FORM FEED**. Keep both buttons held down until the printer beeps once, which indicates that the buffer is cleared.

Initializing the printer

The following procedure initializes the printer to its power-on settings. If you have control panel settings stored in memory, this procedure sets up the printer using them.

- Use **ON LINE** to take the printer off line (**ON LINE** indicator is not lit).
- Hold down **FONT** and then **FORM FEED**. Keep both buttons held down until the printer beeps once (indicating the printer buffer is cleared) and then beeps again three times, which indicates that the printer is reset.

Entering the Multi-part Mode

When the printer is in the Multi-part Mode, the print head prints with greater impact. It should be noted, however, that printing in the Multi-part Mode also reduces the life of the print head. Because of this, you should use the Multi-part Mode only for printing on four or five-ply paper. Return to the normal mode for printing on one to three-ply paper.

Use the following procedure to enter the Multi-part Mode

- Turn off the printer.
- While holding down the control panel's **SET/EJECT/PARK** button, turn the printer back on.
- To exit the Multi-part Mode, Simply turn the printer off and back on again.

Chapter 3: Using the EDS Mode

The letters “EDS” stand for “Electronic DIP Switches.” Just like the small DIP switches that are used by many computers, printers, and other devices, the EDS mode lets you configure the printer so that it matches your system and software needs. This chapter describes how to enter the printer’s EDS Mode and provides details about available settings and how to change them.

All switch settings, except for F-2, are ON when the printer is shipped from the factory.

About EDS Mode settings

EDS Mode settings are grouped among six “banks” (representing banks of switches) that are identified by the letters A through F. Each bank contains a number of “switches” numbered 1 through 6 that you can turn on and off to configure the printer.

Entering the EDS Mode

- Make sure that paper is loaded in the printer.
- Turn off the printer.
- While holding down the control panel’s **ON LINE**, **LINE FEED**, and **FORM FEED** buttons, turn the printer back on.

This causes the following message to be printed, which indicates the printer is in the EDS Mode.

CURRENT EDS SETTINGS

Bank	A	B	C	D	E	F
Switch	123456	123456	123456	123456	123456	123456
ON	*****	*****	*****	*****	*****	* ***
OFF						*

Selecting a bank

- ☐ While in the EDS Mode, use the control panel's **BANK** button to select a bank. When the **BANK** indicator flashes it indicates the current bank selected.

Lit Indicator	Selected Bank
A1	A
B2	B
C3	C
D4	D
E5	E
F6	F

Selecting a switch

- ☐ While in the EDS Mode, use the control panel's **SWITCH** button to select a bank switch. When the **SW** indicator flashes it indicates the current switch selected.

Lit Indicator	Selected Switch
A1	1
B2	2
C3	3
D4	4
E5	5
F6	6

Changing a switch setting

- ☐ After selecting a bank and switch, press the control panel's **ON/OFF** button to turn the switch on and off. The current setting of the switch is indicated by the **ON LINE** indicator: the indicator is lit when the switch is on, and is not lit when the switch is off.

Printing the current switch settings

- In the EDS Mode, press the control panel's **PRINT** button to print out the current switch settings. Asterisks on the printout show whether a switch is turned on or off.

Checking the settings of switches in a bank

- After selecting a bank, press the control panel's **STATUS** button to view the status of each switch in that bank. The control panel's font indicator is lit when the switch is on, and is not lit when the switch is off.

Lit Indicator	Selected Switch
A1	1
B2	2
C3	3
D4	4
E5	5
F6	6

Exiting the EDS Mode

- Press the control panels **EXIT** button to exit the EDS Mode.

EDS Mode Settings

The following details all of the settings you can program in the EDS Mode. You can print out a detailed overview of all the settings by performing a test of the printer (page 70).

BANK A

Switch 1: Emulation

Selects Standard emulation (ON) or IBM emulation (OFF). Standard emulation causes the printer to act like the Epson ESC/P (9-pin), while IBM emulation makes it act like the IBM Proprinter III.

Switch 2: Character Table

The function of this switch depends on whether you are using IBM or Standard emulation.

Emulation	Switch 2 Setting	Description
Standard	ON	Graphics: IBM Character Set #2
	OFF	Italics: Italic character table used
IBM	ON	IBM Character Set #2
	OFF	IBM Character Set #1

Switch 3: RAM Usage

Specifies whether RAM should be used as an input buffer (ON) or as a download buffer (OFF). Selecting input buffer (ON) tells the printer to use available RAM to store data it receives from the computer, which speeds up the printing. Selecting download buffer (OFF) tells the printer to use available RAM to store character patterns.

Switch 4: Automatic Sheet Feeder

Specifies whether the optional SF-15HA Automatic Sheet Feeder is installed (OFF) or not installed (ON).

Switch 5: Paper Out Detector

Specifies whether the printer's paper out detector is enabled (ON) or disabled (OFF). When the paper out detector is enabled (ON), the printer automatically stops printing whenever it senses there is no more paper. When it is disabled (OFF), the printer continues printing as long as there is data. Selecting disabled (OFF) makes it possible to print right up to the bottom of a page, but it also creates the danger of printing when there is no paper loaded in the printer, which can damage the print head and platen.

Switch 6: Multi-Part Mode

Specifies whether the printer's Multi-Part Mode is enabled (OFF) or disabled (ON). When the Multi-Part Mode is enabled (OFF), the impact of the print head is increased, but head life is decreased. Enable the Multi-Part Mode when printing on four to five-ply paper. Disable the Multi-Part Mode when printing on 1 to 3-ply paper.

BANK B

Switch 1: Graphics Direction

Selects uni-directional (OFF) or bi-directional (ON) printing for graphics. Bi-directional printing (ON) is faster, while uni-directional (OFF) printing generally provides better print quality in the graphics mode.

Switch 2: Auto Tear-off (Long)

Specifies whether the printer's auto tear-off (long) feature (page 24) is enabled (OFF) or disabled (ON). Note that this setting controls the application software's tear-off function only. It does not affect the manual tear-off function that is performed using the control panel buttons as described on page 18. The manual tear-off function is always enabled.

Switch 3: Line Spacing

Selects 1/6-inch (ON) or 1/8-inch (OFF) spacing between lines.

Switch 4: Auto LF with CR

Specifies whether auto LF with CR is enabled (OFF) or disabled (ON). When auto LF with CR is enabled (OFF), the printer automatically performs a line feed whenever it receives a carriage return from the computer. When it is disabled (ON), the computer must send both a line feed code and a carriage return code at the end of each line. Most applications do this automatically. Note the following check points when trying to figure out which setting to use here:

- ✓ If you find that your output is double-spaced when it should not be, turn this switch ON (Disabled).
- ✓ If you find that lines are printing over each other, turn this switch OFF (Enabled).

Switch 5: Zero Style

Specifies whether a normal zero (ON) or a slashed zero (OFF) will be used. Selecting Normal (ON) prints zeros without lines running through them, while Slashed (OFF) prints zeros with a diagonal slash running through them.

Switch 6: Reserved

BANK C**Switches 1, 2: Print Mode**

Turn these switches on or off to select the print mode you want to use.

Print Mode	SW1	SW2
Draft	ON	ON
NLQ	ON	OFF
HS-Draft*	OFF	ON

* LC-1521 only. Not used with LC-1511.

Switches 3, 4, 5: Print Pitch

Turn these switches on or off to form the pattern that matches the print pitch setting you want to make.

Print Pitch	SW3	SW4	SW5
10cpi	ON	ON	ON
12cpi	OFF	ON	ON
17cpi	ON	OFF	ON
20cpi	OFF	OFF	ON
Proportional	ON	ON	OFF

Switch 6: Quiet

When the Quiet Mode is enabled (OFF), the printer prints with less noise than normal printing. Though the Quiet Mode prints more quietly, it also takes considerably longer than normal printing.

BANK D**Switches 1, 2, 3, 4: Page Length**

Turn these switches on or off to form the pattern that matches the Page Length setting you want to use.

Page Length	SW1	SW2	SW3	SW4
11"/Letter	ON	ON	ON	ON
8"	OFF	ON	ON	ON
11.7"/A4	ON	OFF	ON	ON
12"	OFF	OFF	ON	ON
8.5"/Letter	ON	ON	OFF	ON
14"/Legal	OFF	ON	OFF	ON
10.5"/Executive	ON	OFF	OFF	ON
7.25"/Executive	OFF	OFF	OFF	ON
3.5"	ON	ON	ON	OFF
5.5"	OFF	ON	ON	OFF

Switch 5: CR Centering Position

Specifies whether the printer's CR centering is long (ON) or short (OFF). When the CR centering position is long (ON), the carriage moves to the center of the platen before the paper is inserted or ejected. When CR centering is short (OFF), the carriage moves to the left side of the platen.

In order to prevent paper feeding problems, set the CR centering position to short (OFF) when narrow (less than 5.6") paper is used and set it to long (ON) when wider (more than 5.6") paper is used.

BANK E**Switches 1, 2, 3, 4, 5: Code Page/International Character Set**

If your EDS settings specify IBM emulation (Bank A, Switch 1 OFF) with either character table (Bank A, Switch 2), or Standard emulation (Bank A, Switch 1 ON) with the graphics character table (Bank A, Switch 2 ON), use the Bank E switches to select the default character code page you want to use.

Code Page	SW1	SW2	SW3	SW4	SW5
#437 IBM-PC	ON	ON	ON	ON	ON
#850 Multi-lingual	OFF	ON	ON	ON	ON
#860 Portuguese	ON	OFF	ON	ON	ON
#861 Icelandic	OFF	OFF	ON	ON	ON
#863 Canadian French	ON	ON	OFF	ON	ON
#865 Nordic	OFF	ON	OFF	ON	ON
#866 Russian	ON	OFF	OFF	ON	ON
#3840 IBM-Russian	OFF	OFF	OFF	ON	ON
#3841 Gost-Russian	ON	ON	ON	OFF	ON
#3843 Polish	OFF	ON	ON	OFF	ON
#3844 CS2	ON	OFF	ON	OFF	ON
#3845 Hungarian	OFF	OFF	ON	OFF	ON
#3846 Turkish	ON	ON	OFF	OFF	ON
#3847 Brazil-ABNT	OFF	ON	OFF	OFF	ON
#3848 Brazil-ABICOMP	ON	OFF	OFF	OFF	ON
#852 Latin-2	OFF	OFF	OFF	OFF	ON
#1001 Arabic	ON	ON	ON	ON	OFF
#737 Greek	OFF	ON	ON	ON	OFF
#851 Greek	ON	OFF	ON	ON	OFF
#869 Greek	OFF	OFF	ON	ON	OFF
#928 Greek	ON	ON	OFF	ON	OFF
#2001 Lithuanian-KBL	OFF	ON	OFF	ON	OFF
#772 Lithuanian	ON	OFF	OFF	ON	OFF
#774 Lithuanian	OFF	OFF	OFF	ON	OFF
#3001 Estonian-1	ON	ON	ON	OFF	OFF
#3002 Estonian-2	OFF	ON	ON	OFF	OFF
#3011 Latvian-1	ON	OFF	ON	OFF	OFF
#3012 Latvian-2	OFF	OFF	ON	OFF	OFF
#3021 Bulgarian	ON	ON	OFF	OFF	OFF
#3031 Hebrew	OFF	ON	OFF	OFF	OFF
#3041 Maltese	ON	OFF	OFF	OFF	OFF

A code page is the set of symbols and characters that your printer can print. Your printer converts ASCII hexadecimal data according to a code page to print symbols and characters. By supporting different code pages, the printer can print in a variety of different languages. The following table shows detailed information about code pages.

Code Page	Name	Country	Remarks
#437	IBM PC	United Kingdom, France, Germany, Italy, Austria, Switzerland, United States, Spain	
#850	Multi-Lingual	United Kingdom, France, Germany, Italy, Austria, Switzerland, United States, Spain	Preferred by Microsoft
#860	Portuguese	Portugal	
#861	Icelandic	Iceland	
#863	Canadian French	Canada	
#865	Nordic	Denmark, Finland, Norway, Sweden	Preferred by Microsoft
#866	Russian	Russia	Preferred by Microsoft
#3840	IBM-Russian	Russia, Bulgaria	
#3841	Gost-Russian	Russia	Gost: government standard
#3843	Polish	Poland	Also called "Mazowia"
#3844	CS2	Czech Republic	Also called "Kamenicky"
#3845	Hungarian	Hungary	
#3846	Turkish	Turkey	
#3847	Brazil-ABNT		
#3848	Brazil-ABICOMP		
#852	Latin-2	Croatia, Czech Republic, Hungary, Poland, Romania, Serbia, Slovak Republic, Slovenia	Preferred by Microsoft
#1001	Arabic	Egypt, Saudi Arabia	Mainly in Arabic speaking countries
#737	Greek	Greece	Almost 80%
#851	Greek	Greece	
#869	Greek	Greece	

Code Page	Name	Country	Remarks
#928	Greek	Greece	For UNIX
#2001	Lithuanian-KBL	Lithuania	Commonly used for DOS
#772	Lithuanian	Lithuania	New standard
#774	Lithuanian	Lithuania	
#3001	Estonian-1	Estonia	
#3002	Estonian-2	Estonia	Most often used
#3011	Latvian-1	Latvia	
#3012	Latvian-2	Latvia	Government standard
#3021	Bulgarian	Bulgaria	
#3031	Hebrew	Israel	
#3041	Maltese	Malta	

If your EDS settings specify Standard emulation (Bank A, Switch 1 ON) with the italic character table (Bank A, Switch 2 OFF), use the Bank E switches to select the international character set you want to use. This setting determines the assignment of 14 character codes in the Standard Italic character set.

International Character Set	SW1	SW2	SW3	SW4	SW5
U.S.A.	ON	ON	ON	ON	ON
France	OFF	ON	ON	ON	ON
Germany	ON	OFF	ON	ON	ON
England	OFF	OFF	ON	ON	ON
Denmark-1	ON	ON	OFF	ON	ON
Sweden	OFF	ON	OFF	ON	ON
Italy	ON	OFF	OFF	ON	ON
Spain-1	OFF	OFF	OFF	ON	ON
Japan	ON	ON	ON	OFF	ON
Norway	OFF	ON	ON	OFF	ON
Denmark-2	ON	OFF	ON	OFF	ON
Spain-2	OFF	OFF	ON	OFF	ON
Latin America	ON	ON	OFF	OFF	ON
Korea	OFF	ON	OFF	OFF	ON
Ireland	ON	OFF	OFF	OFF	ON
Legal	OFF	OFF	OFF	OFF	ON

BANK F**Switches 1, 2, 3, 4, 5: NLQ Font Selection**

Turn these switches on or off to form the pattern that identifies the font you want to use for NLQ printing.

Font	SW1	SW2	SW3	SW4	SW5
Roman	ON	ON	ON	ON	ON
Sanserif	OFF	ON	ON	ON	ON
Courier	ON	OFF	ON	ON	ON
Prestige	OFF	OFF	ON	ON	ON
Orator	OFF	OFF	OFF	ON	ON

Note:

Bank C switches 1 and 2 need to be in the correct positions before the above setting will have any effect.

Chapter 4: User Setup Utility

The User Setup Utility is included on the floppy disk that comes with the printer. It allows you to change the EDS settings of the printer from your computer.

To run the User Setup Utility, you need an IBM-compatible computer running PC-DOS or MS-DOS. The computer must be equipped with a 3.5" floppy drive and a hard disk drive.

In this chapter you will learn about:

- Installing the User Setup Utility
- Starting the User Setup Utility
- Editing setup data
- Loading and saving setup data
- Exiting the User Setup Utility and sending the settings to the printer

Important!

See the "readme.txt" file for important information that became available after this documentation was printed.

All the procedures in this chapter assume that you are using a mouse and that you are familiar with common mouse operations like click and double-click. If you need information on mouse operations, see your computer manual. If you want to operate the User Setup Utility using the keyboard instead of the mouse, follow the instructions that appear on your computer's screen.

Installing the User Setup Utility

- Insert the disk that contains the User Setup Utility into one of your computer's disk drives. This explanation assumes you are using the A: drive, but you could use any drive. Just remember to change the "A:" drive name specifications in the following steps to the name of the drive you are using.
- Execute the following commands to start installation of the User Setup Utility. The following commands assume you are starting from drive C:, and the floppy that contains the User Setup Utility is inserted in drive A:

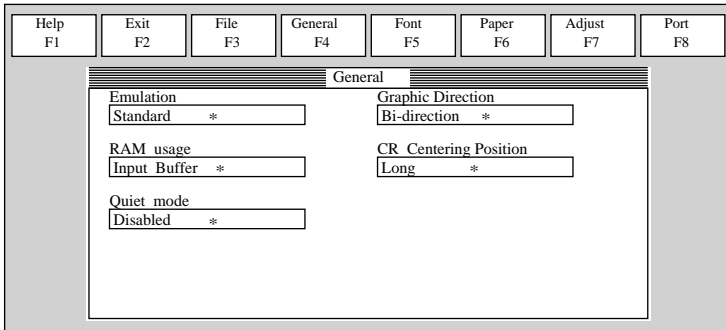
```
C:\>A: ↵  
A:\>CD UTILITY↵  
A:\UTILITY>SETUP↵
```


The screenshot shows a dialog box titled "Setting for Install". It has three input fields: "Language:" containing "English", "Printer Type:" containing "LC-1511", and "Install Directory:" containing "c:\star". At the bottom, there are two buttons: "F1=Install" and "F2=Cancel".

- Pull down the list of available languages under **Language:** and double-click the one you want to use.
- Pull down the list of available printers under **Printer Type:** and double-click on the one you want to use. For this printer you should select LC-1511 or LC-1521.
- Click the **Install Directory:** box to change it into an input box.
- Input the drive name and directory where you want the User Setup Utility installed. Make sure to include the full path to the directory.
You can use your computer's left and right arrow keys, **Delete** key, and backspace key to move around the input box and make changes to the text inside it.
- Click **Install** to install the User Setup Utility and start it up.

Starting the User Setup Utility

- After you install the User Setup Utility, you can start it any time by moving to the directory you specified under "Installing the User Setup Utility" in the previous section and inputting the following:
STARSET ↵



When you start the User Setup Utility, it reads and displays the last settings that were sent to the printer by the utility.

Note:

The utility does not read the settings from the printer. It reads the settings from a file that was created the last time the utility was run, which are stored on your computer's hard disk. If the EDS settings have been changed using the printer's control panel, those control panel settings will not be shown by the utility, and they will be replaced by the current User Setup Utility settings if you specify that current settings should be sent to the printer (page 45) when you exit the utility.

- Now you can use the User Setup Utility to make the setup changes you want.
You can press the **F1** function key at any time to access on-screen help for the setup utility.

Changing the General, Font, Paper and Adjust Settings

The following are basic operations to change settings in the General, Font, Paper and Adjust windows.

To select a window

- Click on the name of the window you want to select (General, Font, Paper, Adjust, Port) by clicking on its name at the top of your computer's screen. When you do, the corresponding window appears on the screen. You can also select a window by pressing a function key from **F4** to **F8**.

To select a setting box

- ❑ Click on the box you want to select or move to by using your keyboard's **Tab** or **arrow keys**. The currently selected setting box is highlighted on the screen.

To change a setting

- ❑ After you select a setting box, click on the box or press **Enter** to pull down a list of available settings.
- ❑ Select the setting you want to use in the list by double-clicking on it, or by moving to it with the arrow keys and pressing **Enter**.

Note:

An asterisk to the right of a setting indicates that it is the default.

The settings in the General, Font, and Paper windows are identical to those in the EDS Mode. See “EDS Mode Settings” on page 31 for details.

Adjusting the dot alignment

- ❑ Click on Adjust or press the **F7** function key.

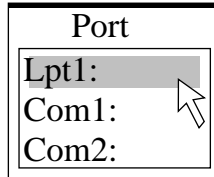
The screenshot shows a window titled "Adjust" with a grid of settings. Each setting consists of a text box containing a value and an asterisk to its right, indicating it is the default. The settings are arranged in two columns:

Adjust	
Multi-Part Mode	Normal-Density
Normal Mode *	0 *
DRAFT	Plotter-Graphics
0 *	0 *
D-Density/Speed	CRT Graphics I
0 *	0 *
D-Density P-Graphics	CRT Graphics II
0 *	0 *
NLQ	Double-Density
0 *	0 *
Quadruple-Density	
0 *	
F9:Test	F10:Test All

- ❑ Use the above window to test and adjust the vertical alignment of the printer in each printing mode. See “Adjusting the dot alignment” on page 72 for full details on dot alignment.

Changing the printer port

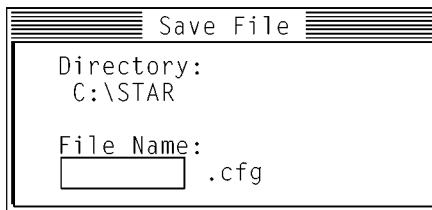
- Click on Port or press the **F8** function key.



- Select the port you want to use by double-clicking on it, or by moving to it with the arrow keys and pressing **Enter**.

Saving setup data in a configuration file

- To save setup data in a configuration file so you can recall it later, click on File or press the **F3** function key.
- Select **Save** from the menu that drops down by double-clicking on it, or by moving the highlighting to it with the arrow keys and pressing **Enter**.



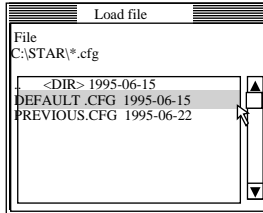
- Input the name that you want to assign to the configuration file and press **Enter**. The configuration is automatically stored in the directory you specified under "Installing the User Setup Utility" on page 40, and assigned the extension ".cfg".

Important!

Remember that changing User Setup Utility settings on the computer screen does not directly change them in the printer. To change the printer settings to those shown on the screen, use the Exit command (page 45).

Importing setup data from a configuration file

- Click on **File** or press the **F3** function key.
- Select **Load** from the menu that drops down by double-clicking on it, or by moving the highlighting to it with the arrow keys and pressing **Enter**.



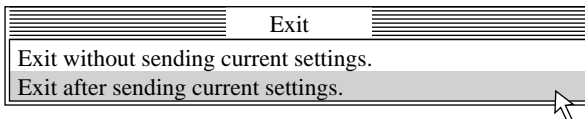
- Select the file that contains the configuration you want to use by double-clicking on its name, or by moving the highlighting to its name with the arrow keys and pressing **Enter**.

Returning to default settings

- To make all settings revert to their defaults, perform the procedure under “Importing setup data from a configuration file” in the previous section and select the file named “DEFAULT.CFG”.

Exiting the User Setup Utility

To exit the User Setup Utility, pull down the **File** menu and select **Exit**.



- Select the option you want by double-clicking on it, or by moving the highlighting to it with the arrow keys and pressing **Enter**.
 “Exit after sending current settings” sends all User Setup Utility settings to the printer, which replaces any settings that may have been made using the printer’s control panel. “Exit without sending current settings” exits the User Setup Utility without sending anything to the printer.

Using the Help menu

- To get information on how to use the User Setup Utility, click **Help** or press function key **F1**.

Chapter 5: Using the Printer with Windows 3.1

This chapter contains specific information you need to know when using the printer with Microsoft Windows 3.1 or later. It also tells you how to install the printer driver on your computer so that it can control the printer correctly. In this chapter, you will learn about:

- How to set up for printing with Microsoft Windows 3.1
- How to prepare for printing
- How to print a document
- How to install TrueType fonts
- How to select fonts from within an application

Important!

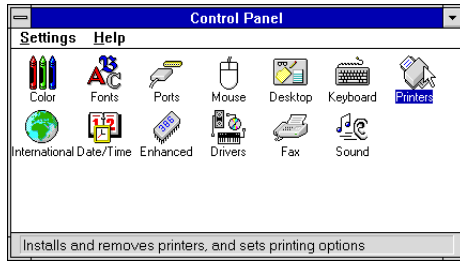
See the "readme.txt" file for important information that became available after this documentation was printed.

Setting up for printing with Microsoft Windows 3.1

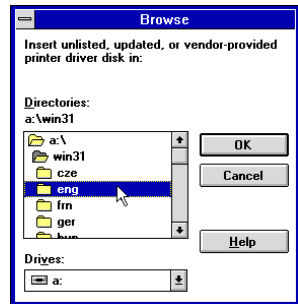
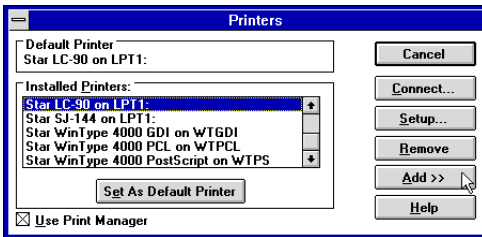
This printer is designed to work best with computers running Microsoft Windows 3.1. If you are running an earlier version of Windows, we recommend that you upgrade to 3.1.

Before you can use the printer with Windows, you must first use the procedure outlined below to install the printer driver that is supplied on the 3.5" floppy disk that comes with the printer. This procedure assumes that you are using a mouse and that you are familiar with common mouse operations like *click* and *double-click*. If you need information on mouse operations or if you want to install the printer driver without using a mouse, refer to your *Microsoft Windows User's Guide*.

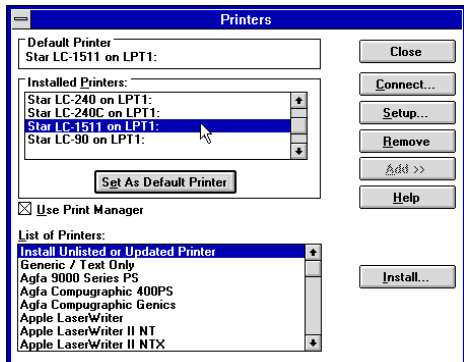
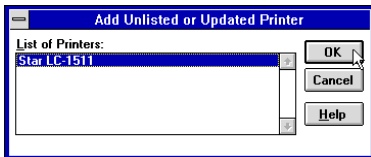
- Insert the disk that contains the printer driver into one of your computer's disk drives. This explanation assumes you are using a drive named "A:", but you could use any drive. Just remember to change the "A:" in the following steps to the name of the drive you are using.
- In the Main group, double-click on the Control Panel icon.
- Double-click on the Printers icon in the Control Panel window.



- Click **Add** and the dialog box will expand to show a List of Printers.
- In the List of Printers: box, select Install Unlisted or Updated Printer.
- Click **Install**.
- This causes the Install Driver dialog box to appear, which instructs you to insert the disk that contains the printer driver file.



- Click **Browse**.
- In the Directories: list, select WIN 31.
- Click on the language you want to use and then click **OK**.
We will use English in all of our examples here.



- In the List of Printers: box of the Add Unlisted or Updated Printer dialog box, select the Star printer driver and then click **OK**.
This causes the Printers dialog box to appear. The STAR printer is now listed in the Installed Printers: list.
- Double-click on the name of the printer model you just installed to select it as the default printer.
- Click **Close** to close the Printers dialog box.

Note:

Windows applications automatically print on the currently selected default printer. If you want to print on a different printer, you must first select it.

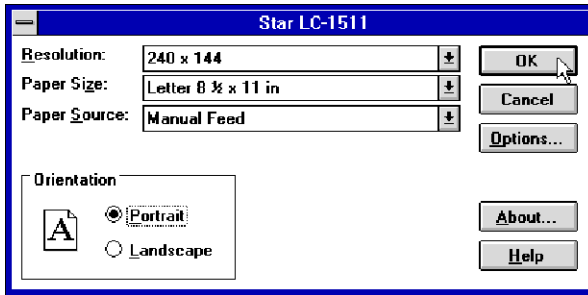
Getting ready to print

Before printing, there are a number of things you must first do to set up the printer. You must select the printer driver, and the paper source, size, and orientation. Use the following procedure to make these selections.

Note:

You do not need to perform printer driver and paper selections mentioned above each time you print, but only if there are any changes to the last selections you made.

- In the Windows Program Manager, open the Main group by clicking on its icon.
- Double-click on the **Control Panel** icon.
- Double-click on the **Printers** icon in the **Control Panel** window.
- Double-click on the name of the printer model you selected above to choose it as the default printer.
- Click on **Setup** to display the window for setting up your printer.



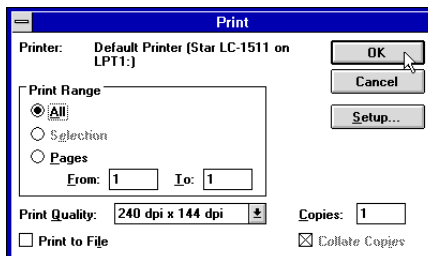
- From this window you select buttons that let you control a wide variety of printer setup parameters. This manual does not include any information about how to do this because everything you need to know is included in an on-line manual that tells you how to use all the buttons and menus that appear. To view the on-line manual, click on the **Help** button.
- After the printer is set up the way you want it, click on **OK**.
- Click on the **Close** button in the Printers window to save your setup and return to the Program Manager.

Note:

Depending on the application software you are using, settings similar to those in the above procedure can be made using the **Print Setup** command of the File menu instead of the Control Panel.

Printing a document

The following Print window appears when you select the **Print** command of the File menu of your Windows application.

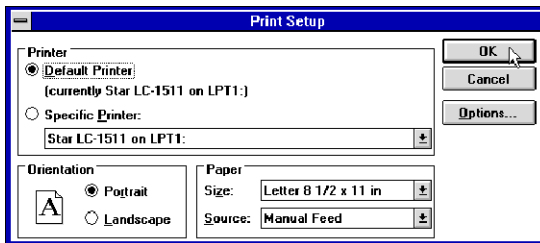


Note:

The actual appearance of the Print window may differ somewhat depending on the application you are using.

Use this window to specify the range of the pages to be printed, the quality of the printing (in dots per inch), and the number of copies you want to print. Note also that there are boxes that you can select to specify printing to a file or collating (printing from back to front).

You can change the printer setup by clicking on the **Setup** button. When you do, the following window for setting up your printer appears on the display.

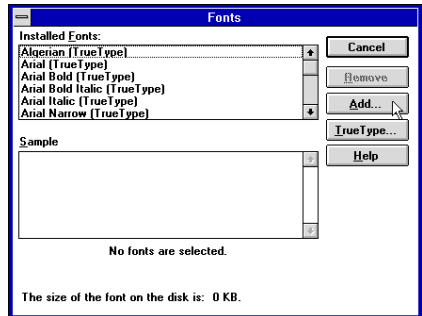
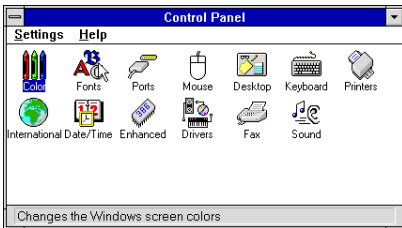


Make changes by clicking on the appropriate radio button or highlighting your selection on the appropriate pull-down menu.

Installing TrueType fonts

The TrueType fonts that are supplied on one of the 3.5" floppy disks that come with the printer can be used only when you are running Windows 3.1 or later. Use the following procedure to install the fonts.

- Launch Windows.
- Close any applications that may be open.
- Open the Windows Control Panel.
- Double-click the **Fonts** icon and the Fonts dialog box appears.
- Click **Add** and the Add Fonts dialog box appears.



- Insert the disk that contains the fonts into one of your computer's disk drives. This explanation assumes you are using a drive named "A:", but you could use any drive. Just remember to change the "A:" in the following steps to the name of the drive you are using.
- Select the letter that represents the drive where the floppy disk is installed. When you do, the names of all the fonts on the disk appear in the List of Fonts window. Select the fonts you want to install by clicking on their names. If you want to install all of the fonts, click **Select All**.
- Click **OK**. The Fonts dialog box appears and installation is performed. The names of the newly installed fonts are automatically added to the Installed Fonts list.
- If you were in an application program when you installed the new fonts, you will need to select **Printer Setup** from the application's **FILE** menu, and reselect the printer. After that, the application can display on-screen text and print text on the printer using the newly install fonts.

Selecting fonts in Windows applications

Refer to the manual of the application you are using for details on how to select fonts within that application.

In addition to the Windows fonts, you can also use the TrueType fonts that come with this printer.

Chapter 6: Using the printer with Windows 95

This chapter describes how to use the printer with Microsoft Windows 95. The following topics are covered:

- Setting up the printer in Windows 95
- Preparing for printing
- Printing a document
- Installing the TrueType fonts

Note:

The file “readme.txt” on the floppy disk contains any late-breaking information that has been made available since this manual was printed.

Setting up the printer in Windows 95

To use the printer with Windows 95, you need to install a file known as the printer driver onto your computer. This file is supplied on the floppy disk that comes with the printer.

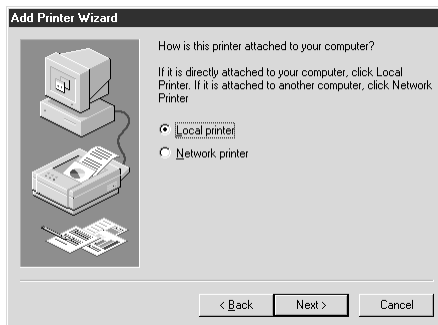
The following description assumes that you are using a mouse (“click” and “double-click” refer to the action of using the mouse to point at an item with the on-screen pointer, and then clicking either once, or twice in quick succession).

To install the printer driver under Windows 95, use the following steps:

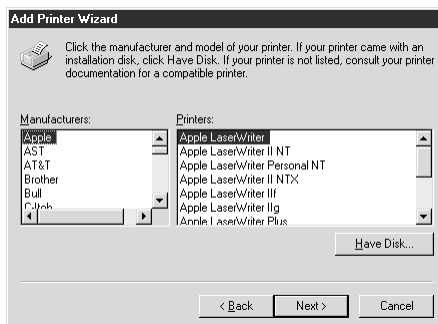
- Turn on the printer and start up your computer.
- Click on the **Start** button in the bottom lefthand corner of the screen.
- Select **Settings**.
- Release the mouse button on **Printers**.
- Double-click on the **Add Printer** icon in the **Printers** window.



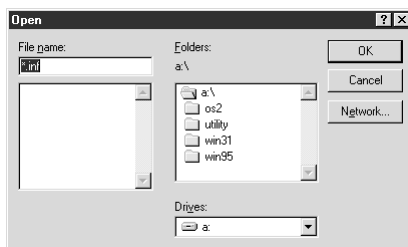
- Click on the **Next** button.



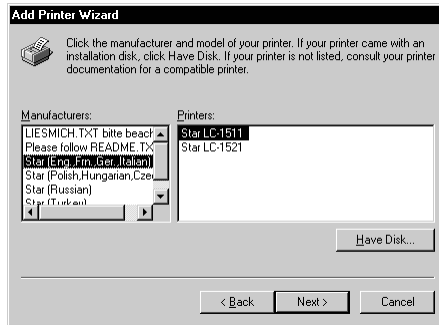
- When the above window is displayed, make sure the **Local printer** radio button is checked. Then click on the **Next** button twice, and click on the **Back** button.



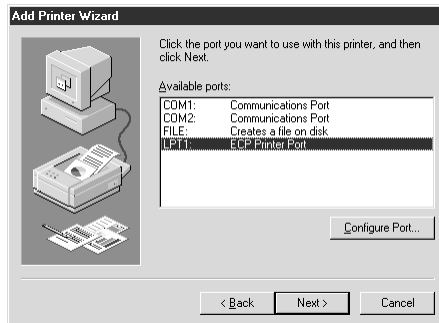
- Click on the **Have Disk** button.
- Insert the disk with the printer driver file on it into the floppy disk drive. Make sure that the drive's name ("A:" or "B:") is displayed in the field named *Copy manufacturer's files from:*. To select a drive name, click on the arrow by the side of the field and select the drive from the list that appears.
- Click on the **Browse** button. A list of folders on the floppy disk is displayed.



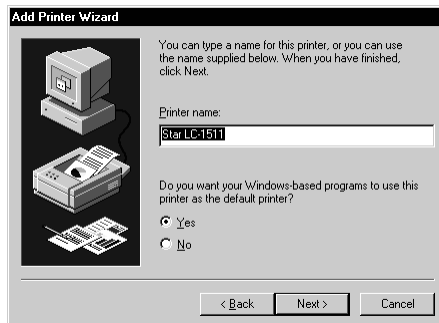
- Select "WIN95" (either by double-clicking on it or by clicking on it and clicking on the **OK** button).
- Click on the **OK** button twice.



- Select the language or language group you want to use by clicking on it.
- Select the printer model name (“Star LC-1511” or “Star LC-1521”) by clicking on it and then click on the **Next** button.



- Select the printer port to which the printer is connected by clicking on it (usually “LPT1”). Click on the **Next** button.



- Change the printer name if you want. If you have previously installed another printer, you must select whether you want the new printer to be the default printer. Click on the appropriate radio button.

Note:

Windows applications always print to the currently selected default printer, unless the user chooses a different printer from within the application.

- Click on the **Next** button.
- Select whether to print out a test page by clicking on the appropriate radio button.
- Click on the **Finish** button.
- If a message appears requesting you to insert the Windows 95 CD-ROM, insert it into the CD-ROM drive and click on the **OK** button.
- If a message appears saying that the printer driver file *LC15X1.DRV* cannot be found on the Windows 95 CD-ROM, click on the **Browse** button, select the floppy disk drive's name ("A:" or "B:"), click on "WIN95" in the list of directories and click on the **OK** button (or double-click on "WIN95").
- Click on the **OK** button.

This concludes the printer set-up.

Preparing to print

Often you can simply select the **Print** command in the application you are using, click the **OK** button, and your document will be printed out. However, sometimes you may need to change certain settings beforehand, such as the default printer, which port a printer uses, which printer driver it uses, the paper size, the paper source etc.

Settings are made by checking radio buttons, entering numbers into fields or by clicking on the arrow by the side of a field and selecting an option from the list that appears. All these settings, and how to make them, are fully explained in the *Microsoft Windows 95 User's Guide*.

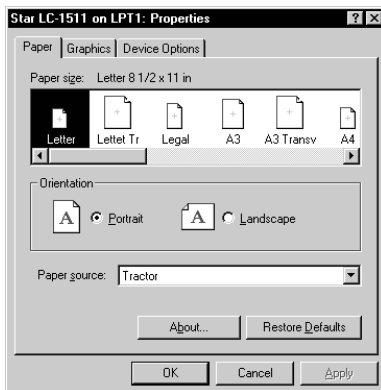
Some settings, e.g. paper size and paper source, can be made within an application when you select the **Print** command (see the next section: *Printing a document*). However, settings made within an application only affect printing from that application.

To change the default printer and to make general settings that will apply to any application, proceed as follows:

- Click on the **Start** button in the bottom lefthand corner of the screen.
- Select **Settings**.
- Release the mouse button on **Printers**.



- Double-click on the icon bearing the name of the printer (*Star LC-1511* or *Star LC-1521*) in the **Printers** window. A window appears listing any documents that are currently being printed on the printer.
- Click on the **Printer** menu.
- To set the printer as the default printer, click on the **Set As Default** command so that a tick mark appears in the check box. This denotes that the selected printer is the default printer.
- Click on the **Printer** menu and click on the **Properties** command.



- Click on any of the five index-card type buttons and change the parameter settings as you require. For a detailed explanation of any of the settings, click on the “?” button on the top right of the window and then click on the relevant parameter field. Click once more to clear the help message from the screen.

Note:

***Paper, Graphics and Device option** settings can also be made when you select the **Print** command in an application. However, settings made within an application only apply to printing from that application.*

- Click on the *Close (X)* button on the top right of the **Properties** window.
- Click on the *Close (X)* button on the top right of the printer’s window

This concludes the printing preparation. The printer which you selected is now the default printer, and the page size, paper source setting and any other settings which you made for the printer, apply to printing from all applications. To override these settings for a specific application, refer to the next section, *Printing a document*.

Printing a document

Windows 95 applications always print to the currently selected default printer. If you want to change the default printer, refer to the previous section, *Preparing to print*.

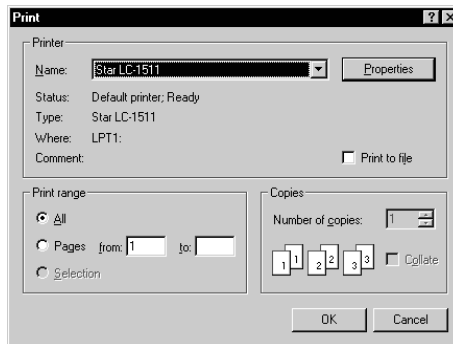
To print from any Windows 95 application, proceed as follows:

- Click on the application's **File** menu.
- Click on the **Print** command.

Note:

The actual appearance of the Print window may differ somewhat depending on the application you are using.

- If you do not want to use the default printer, select a different printer by clicking on the arrow by the side of the *Name* field and selecting one from the list that appears.
- Click on the **Properties** button.
- If you want to change any of the printing settings, for example paper size, orientation or paper source, click on the appropriate index card-type button (**Paper**, **Graphics** or **Device options**) and change the parameter settings as you require.
For a detailed explanation of any of the settings, click on the **?** button on the top right of the window and then click on the relevant parameter field. Click once more to clear the help message from the screen.
Changes you make here apply only to printing from the current application
- Click on the *Close* (X) button on the top right of the window.



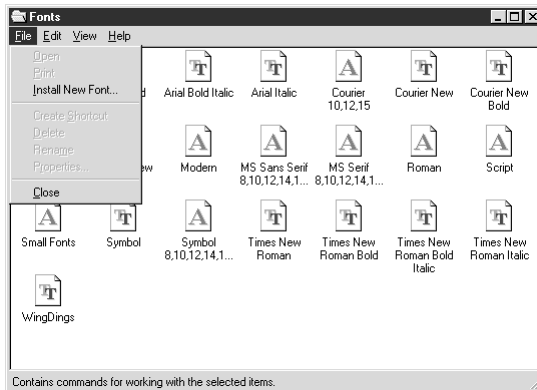
- Select how many copies of the document will be printed by entering the appropriate number into the Number of copies field. If you want to print all the pages in your document, make sure that the All radio button is checked. If you do not want to print all the pages in your document, enter the first and last pages to print into the from and to fields.
- If you want the output to be collated (each copy automatically sorted into page order) or if you want to print to file (instead of a print-out, a graphic file of the print-out is saved on disk), check the appropriate radio button.
- Click on the **OK** button.

Your document will now be printed out. [Manuals Search And Download.](#)

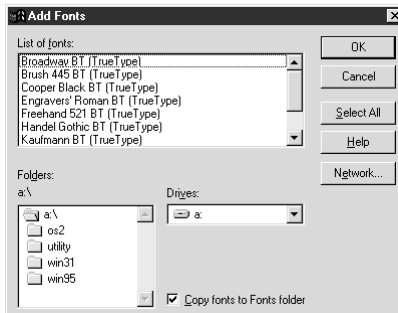
Installing TrueType fonts

To install the TrueType fonts that are on the floppy disk accompanying this printer, follow the procedure below.

- Insert the disk in your computer's floppy disk drive.
- Click on the **Start** button in the bottom lefthand corner of the screen.
- Select **Settings**.
- Release the mouse button on **Control Panel**.
- Double-click on the **Fonts** folder. The currently-installed font files are displayed.
- Click on the **Files** menu.



- Click on the **Install New Font...** command.
- Display the drive's name ("A:" or "B:") in the *Drives* field. To select a drive name, click on the arrow by the side of the field and select the drive from the list that appears. The names of the fonts stored on the disk are displayed in the *List of fonts* window.



- Select the fonts you wish to install by clicking on them. If you want to install all of them, click on the **Select All** button.
- Click on the **OK** button.

The new fonts can now be seen in the **Fonts** folder window. This concludes the font installation.

Chapter 7: Using the Printer with OS/2 Warp

This chapter contains specific information about using the printer with IBM OS/2 Warp. It also shows you how to install the printer driver on your computer so you can control the printer. By reading this chapter, you will learn:

- How to set up for printing with IBM OS/2 Warp
- How to prepare for printing
- How to print a document

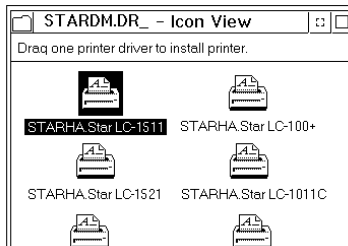
Important!

See the “readme.txt” file for important information that became available after this documentation was printed.

Setting up for printing with OS/2 Warp

Before you can use the printer with OS/2 Warp, you must first perform the following procedure to install the printer driver supplied on the 3.5” floppy disk that comes with the printer.

- Start up the OS/2 system.
- Insert the floppy disk that comes with the printer into one of your computer’s disk drives.
- Open the floppy in icon view.
- Double click on the OS2\ENG folder.
- Double click on the STARDM.DR_ file.
- Drag the printer driver whose name matches the name of your printer to the desktop.



Getting ready to print

There are several steps to set up the printer before using it. You must select the printer driver, and specify the source, size, and orientation of the paper. Use the following procedure to make these selections.

Note:

You do not need to select the printer driver and paper specifications each time you print, but only if you want to change any of your previous settings.

- Point to the printer object.
- Click mouse button 2.
- Select **Settings**.
- Select the **Printer driver** tab.
- Point to the printer driver you want to use.
Click mouse button 2.
- Select **Settings** to display the **Properties** window for setting up your printer.
With the **Properties** window, you can click on various buttons to control a wide variety of printer setup parameters. Everything you need to know about these settings is included in an on-line manual that tells you how to use all the buttons and menus that appear on your computer's screen. To view the on-line manual, select **Help**.
- After you get the printer set up the way you want it, select **Save**.

Printing a document

Select the **Print** command in the **File** menu of the application you are using.

Chapter 8: Using the Printer with MS-DOS

This chapter contains information about how to use the printer with applications software running under MS-DOS. In this chapter, you will learn about:

- How to set up for printing with MS-DOS

Setting up for printing with MS-DOS

To print from an application running under MS-DOS, you must first select the printer from within the application. Typically, the program will feature an **INSTALL** or **SETUP** command for selection of printers. Refer to the manual for the application you are using for details on how to select a printer for it.

- Start up the application and use the correct procedure for that application to select a printer. The following is a list of printers that can be used. If your application lists more than one of these, select the printer that is nearest to the top of this list. You should also use the EDS mode or User Setup Utility to select Standard emulation (page 31).

Star LC-1511/1521
Star XR-1520/ZA-250
Star XR-1500/FR-15
Epson FX-1170
Epson EX-800

If none of the printers listed above are available in the application, choose one of the printers listed below. Once again, you should choose the printer that is nearest to the top in the following list. For these printers, you should use the EDS Mode or User Setup Utility to select IBM emulation (page 31).

IBM Proprinter III
IBM Proprinter II
IBM Proprinter

- To print, follow the instructions given in the manual of the application you are using. Typically, you would select the application's **PRINT** command, make any necessary changes in the window that appears (such as the number of copies to be printed), and then press the **Enter** key to start printing.

Chapter 9: Paper Handling

Your printer is designed to print on a variety of paper types. This chapter tells you everything you need to know about paper, and how to set the printer up for manual paper feed. In this chapter, you will learn about:

- Selecting the best type of paper
- Adjusting for paper thickness
- Manual sheet feeding
- Clearing paper jams

Selecting paper types

Use the following information when selecting paper.

Cut-Sheet Paper (Manual Feed)

Width:	7.0" to 16.54" / 178 to 420mm
Length:	5.5" to 14" / 140 to 356mm
Thickness:	0.00276" to 0.00472" / 0.07 to 0.12mm
Weight:	14 to 24 lbs / 52 to 90g/m ² / 45 to 77 kg

Cut-Sheet Paper (with Optional Automatic Sheet Feeder)

Paper size:	B5, A4, LT, B4, A3, Legal
Thickness:	0.00315" to 0.00472" / 0.08 to 0.12mm
Weight:	16 to 24 lbs / 60 to 90g/m ² / 52 to 77 kg
Hopper:	50 sheets of 64g/m ² 30 sheets of 80g/m ²
Stacker:	10 sheets

Fanfold Paper

Width (push feed):	4" to 16.5" / 101.6 to 419mm
Width (pull feed):	4" to 16.0" / 101.6 to 406mm
Thickness:	0.00276" to 0.00433" / 0.07 to 0.11mm (1-ply) 0.01378" / 0.35mm max. (total thickness of multi-ply, non-carbon)
Weight:	14 to 22 lbs / 52 to 82g/m ² / 45 to 70 kg (one-ply) 11 to 14 lbs / 40 to 52g/m ² / 34 to 45 kg (multi-ply)
Copies:	Original + 1 or 2 (Normal Mode) Original + 3 or 4 (Multi-Part Mode) Multi-part Mode and an optional pull tractor are recommended when printing on 4 or 5-ply paper.

Labels

Backing sheet: 4.5" to 16.5" / 114 to 419mm

Thickness

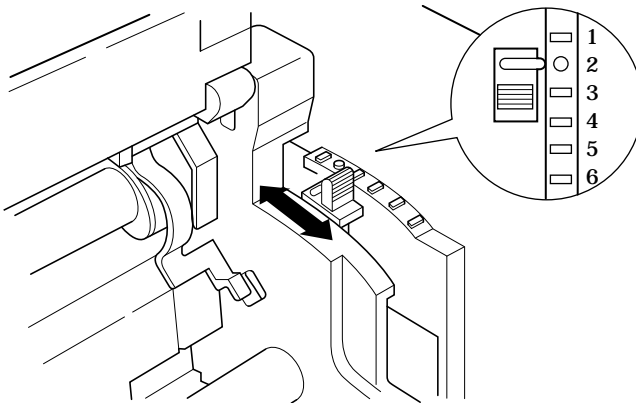
Backing sheet: 0.00276" to 0.0035" / 0.07 to 0.09mm

Total: 0.0075" / 0.19mm

- Use labels under normal temperature and humidity conditions only.

Adjusting for paper thickness

Paper comes in different weights, normally expressed as gsm (grams per square meter) or lbs (pounds). Some forms paper also have multiple pages that make them quite thick. Use the following procedure to change the gap between the print head and the platen and adjust for paper thickness.



- Move the adjustment lever to one of its four settings. Position 2 is most suitable for single-sheet paper.

64 Paper Handling

The following table provides a general guide for setting the adjustment lever. Experiment with different settings until you find the one that gives you the print quality you want.

Paper Type		Weight Per Sheet	Thickness	Recommended Position
Cut-sheet		52 to 90 g/m ²	0.07 to 0.12mm	1 or 2
Fanfold	1-ply	52 to 90 g/m ²	0.07 to 0.12mm	2 or 3
	2-ply	40 to 52 g/m ²	0.12 to 0.16mm	2 or 3
	3-ply	40 to 52 g/m ²	0.18 to 0.25mm	3 or 4
	4-ply	40 to 52 g/m ²	0.24 to 0.30mm	4 or 5
	5-ply	40 to 52 g/m ²	0.30 to 0.35mm	5 or 6
Labels (with backing sheet)		—	—	3 or 4

Important!

Continuous use of the wrong adjustment lever setting can drastically reduce print head life! The Multi-part Mode is only recommended when printing on 4 or 5-ply paper.

Automatic fanfold feeding

- See “Loading fanfold paper” on page 12 for details on using fanfold paper.

Manual sheet feeding

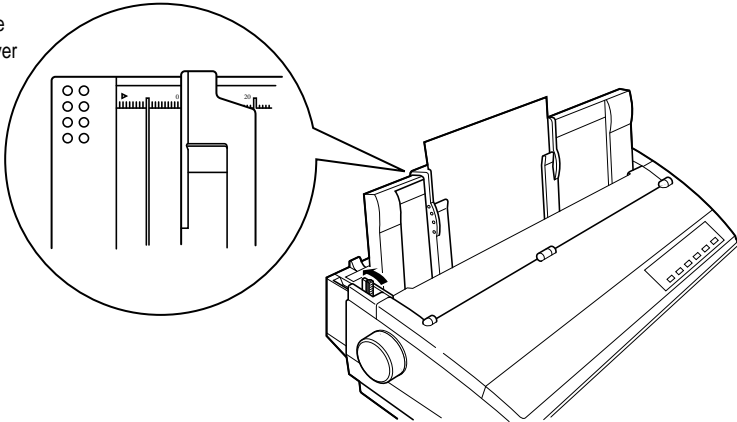
You can use the following procedure to manually feed single sheets of paper into the printer.

- Make sure that there is no fanfold paper in the printer. If there is, use the procedure under “Parking fanfold paper” on page 17 to park the fanfold paper and prepare for manual sheet feeding.
- Move the paper guide so that it is at a 70-degree angle. (Refer to page 10.)
- Set the release lever to the cut-sheet position.
- Align the left paper guide with the scale mark that matches the size of the paper you are using.

For any paper size other than A3 landscape (horizontal), align the paper guide with scale 0 (zero). For A3 landscape paper, align the paper guide with the ► mark.

- Adjust the right paper guide so there is enough space to insert the paper.

Paper guide
Release lever



- Insert a sheet of paper into the paper guide, with the side you want to print on facing the back of the printer. Gently push the paper down into the printer until you feel it stop.
- Press the **SET/EJECT/PARK** button to feed the paper to the starting position.
- If you want to move the paper to another position, use the micro feed function described under “Micro feed” on page 23.
- Start the printing operation from your software application.

Clearing paper jams

Use the following procedure to clear paper jams from the printer.

- Unplug the printer from its AC power outlet.
- Open the front cover of the printer.
- Carefully try to pull the jammed paper from the printer.

If necessary, change the release lever position or rotate the platen knob to remove the paper.

Chapter 10: Optional Accessories

This chapter introduces the following optional accessories that are available for this printer:

- Automatic Sheet Feeder (SF-15HA)
- Pull Tractor Unit (PT-15HA)
- Serial Interface Unit (IS-8H192 and IS-32H768)
- Serial-to-Parallel Converter (SPC-8K)

Important!

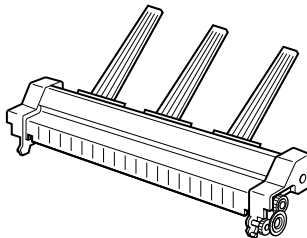
Always make sure that printer power is turned off whenever installing or removing optional accessories.

Automatic Sheet Feeder (SF-15HA)

The automatic sheet feeder automatically feeds cut sheet paper into the printer.

Preparing the printer

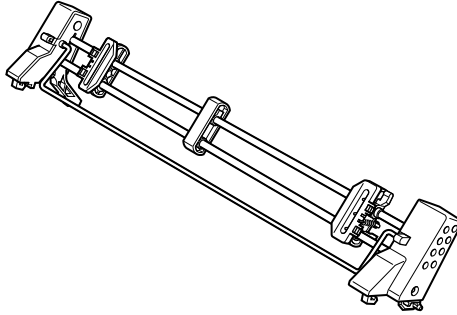
- Use the printer's EDS Mode to change the setting of Bank A Switch 4 to OFF (page 31), which tells the printer that the automatic sheet feeder is installed.



Refer to the manual that comes with the automatic sheet feeder for further details on installation and operation.

Pull Tractor Unit (PT-15HA)

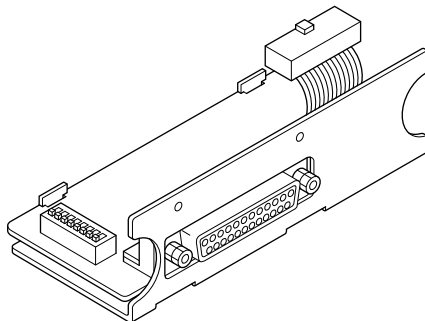
The pull tractor unit is recommended when printing with multi-part continuous forms.



Refer to the manual that comes with the pull tractor unit for further details on installation and operation.

Serial Interface Unit (IS-8H192 and IS-32H768)

Installing the serial interface unit provides serial data communications capabilities between the printer and your computer.



Specifications (IS-8H192)

Interface	RS-232C-level only
Synchronization	Asynchronous
Baud rate	150, 300, 600, 1200, 2400, 4800, 9600, 19200 BPS (selectable)
Word length	
Start bit	1
Data bits	7 or 8 (selectable)
Parity bit	Odd, even, none (selectable)
Stop bits	One or more
Signal polarity	
Mark	Logical 1 (−3V to −15V)
Space	Logical 0 (+3V to +15V)
Handshaking	DTR, XON/XOFF, ETX/ACK
Data buffer	8 kbytes (standard)

Specifications (IS-32H768)

RS-232C Interface

Synchronization	Asynchronous
Baud rate	150, 300, 600, 1200, 2400, 4800, 9600, 19200 BPS (selectable)
Word length	
Start bit	1
Data bits	7 or 8 (selectable)
Parity bit	Odd, even, none (selectable)
Stop bits	One or more
Signal polarity	
Mark	Logical 1 (−3V to −15V)
Space	Logical 0 (+3V to +15V)
Handshaking	DTR, XON/XOFF, ETX/ACK
Data buffer	32 kbytes (standard)

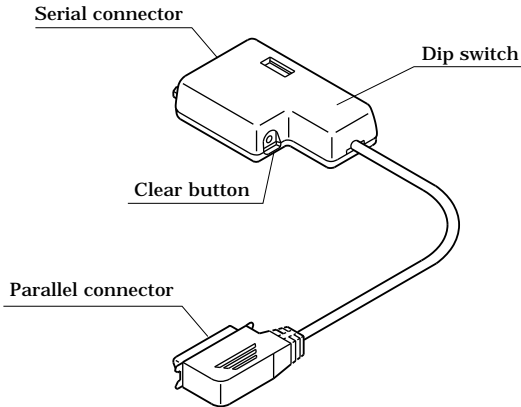
RS-422A Interface

Synchronization	Asynchronous
Baud rate	150, 300, 600, 1200, 2400, 4800, 9600, 19200, 38400, 76800 BPS (selectable)
Word length	
Start bit	1
Data bits	7 or 8 (selectable)
Parity bit	Odd, even, none (selectable)
Stop bits	One or more
Signal polarity	
Mark	Logical 1 (A is −0.2 V or less than B)
Space	Logical 0 (A is +0.2 V or more than B)
Handshaking	DTR, XON/XOFF, ETX/ACK
Data buffer	32 kbytes (standard)

Refer to the manual that comes with the serial interface unit for further details on installation and operation.

Serial-to-Parallel Converter (SPC-8K)

Connecting the serial-to-parallel converter to the printer's parallel connector provides serial data communications capabilities between the printer and your computer.



Specifications

Interface	RS-232C-level
Synchronization	Asynchronous
Baud rate	150, 300, 600, 1200, 2400, 4800, 9600, 19200 BPS (selectable)
Word length	
Start bit	1
Data bits	7 or 8 (selectable)
Parity bit	Odd, even, none (selectable)
Stop bits	One or more
Signal polarity	
Mark	Logical 1 (-3V to -15V)
Space	Logical 0 (+3V to +15V)
Handshaking	DTR, XON/XOFF, ETX/ACK
Data buffer	8 kbytes (standard)

Refer to the manual that comes with the serial-to-parallel converter for further details on installation and operation.

Appendix A: Troubleshooting

This appendix will help you if you experience problems with your printer. It tells you how to test the printer, how to check system software settings, and how to adjust the vertical alignment. In addition, there is information on actions to take for specific problems.

Warning!

The printer uses high voltage. Do not attempt any other repair or maintenance except as expressly recommended in this appendix. Unauthorized repair and maintenance not only exposes you to the danger of electrical shock, it also may damage your printer and void your warranty.

Testing the printer

There are three different tests you can use: a short test, a long test and a hexadecimal dump.

Short test

- Make sure that paper is loaded in the printer.
- Turn the printer off.
- While holding down the control panel's **ON LINE** button, turn the printer on.

The short test prints the version number of the software contained in the printer's ROM followed by the current EDS settings.

Note:

The short test prints across the entire width of the carriage. Make sure that the printer is loaded with the widest paper available in order to avoid damage to the print head and platen.

Long test

- Make sure that paper is loaded in the printer.
- Turn the printer off.
- While holding down the control panel's **LINE FEED** button, turn the printer on.

The long test prints seven lines of text and then continues to print the entire character set for each font and pitch available.

- To stop demo printing, turn the printer off.

Note:

- *The long test prints across the entire width of the carriage. Make sure that the printer is loaded with the widest paper available in order to avoid damage to the print head and platen.*
 - *Since this test can generate many lines of text and graphics, it is a good idea to perform this test only when using continuous fanfold paper rather than single sheets.*
-

Hexadecimal dump

This procedure prints in hexadecimal format all codes (character codes and control codes) that are sent to the printer by the computer. The printer does not execute any control codes (such as 0A - linefeed), it just prints them out. The hexadecimal dump is useful when you are writing programs for printer control.

- Make sure that paper is loaded in the printer.
- Turn off the printer.
- While holding down the control panel's **FORM FEED** button, turn the printer back on to enter the Hex Dump Mode.
- The printer will now print out the hexadecimal values of any data that is subsequently sent to it from your computer.
- To exit the Hex Dump Mode, first press **ON LINE** to set the printer off-line, and then turn the printer off.

Adjusting the dot alignment

You may never have to use the procedure described in this section, but after you have been using your printer for some time you may find that the dots of some graphics do not align correctly. For example, what should look like:



may come out looking like one of the following:



or like this



This is caused when mechanical parts of the printer get out of alignment. This happens only rarely and you may never experience it at all throughout the life of the printer. If you do have problems, use the following procedure to correct it.

- Make sure that paper is loaded in the printer.
- Turn off the printer.
- While holding down the control panel's **FORM FEED** and **ON LINE** buttons, turn the printer back on to enter the Dot Adjustment Mode. The printer will print something like the following.

```

*** DOT ADJUSTMENT SETTING ***
DRAFT      0 : | | | | | | | | | | | | | | | | | | | | | |

```

Note that the printer will feed the paper forward and back each time during this operation so you can view the printout.

- If the three lines do not align properly, use **FONT** to move the middle line to the left or **PITCH** to move it to the right.

The above step performs alignment for the Draft printing mode only. You must make separate adjustments for the HS-DRAFT (LC-1521 only), D-Density/Speed, D-Density P-Graph, NLQ, Quadruple Density, Normal Density, Plotter Graphics, CRT Graphics I, CRT Graphics II, and Double Density modes as well.

- Press **SET/EJECT/PARK** to change to another printing mode.
- Repeat the above steps for each printing mode, if necessary.
- After making changes to adjustments in all the printing modes you want, press **ON LINE** to exit the Dot Adjustment Mode and register your adjustments.

Troubleshooting guide

Use the following table to help track down the causes of problems and to determine the best solution to deal with them.

Problem	Possible Cause	Recommended Action
The ON LINE indicator does not light.	The printer is not receiving power.	Check whether the power cord is correctly plugged into the power outlet.
		Check whether the power outlet is working by unplugging the printer and plugging in another device.
Printer sounds like it is printing, but it is not. Printing is weak.	The ribbon is jammed, twisted, or not set correctly between the print head and the print head shield.	Make sure that the ribbon cassette is installed correctly.
	The printer is not set up correctly for the thickness of paper you are using.	Set up the printer for the paper thickness you are using. See "Adjusting for paper thickness" on page 63.
	The ribbon is worn out or "used up."	Replace the ribbon with a new one.
Printer test works, but printer will not print out data from the attached computer.	Your application program's or system software's printer selection is wrong.	Check the printer selection of your application software.
	The computer's system software is not set up properly for the printer or for the port you are using.	Check the system software settings. Check the settings for LPT1, COM 1, or COM 2 if you are using the optional serial interface unit.
	The interface cable is connected incorrectly or damaged.	Check to make sure that the printer interface cable is connected correctly. If it is, try a different cable.

Problem	Possible Cause	Recommended Action
Printer does not feed paper properly.	Jamming paper.	Remove all paper from the printer and then reload it.
	The printer is not set up correctly for the thickness of paper being used.	Set up the printer for the paper thickness you are using. See "Adjusting for paper thickness" on page 63.
Line spacing is incorrect.	Jamming paper.	Set up the printer for the paper thickness you are using. See "Adjusting for paper thickness" on page 63.
	The line spacing or leading selected in your application program is wrong.	Choose a different line spacing or leading setting from your application.
	Auto line feed with carriage return is enabled.	Use the EDS Mode or User Setup Utility to disable auto line feed with carriage return. See "Switch 4: Auto LF with CR" on page 32.
Lines print over each other.	Auto line feed with carriage return is disabled.	Use the EDS Mode or User Setup Utility to enable auto line feed with carriage return. See "Switch 4: Auto LF with CR" on page 32.
	Jamming paper.	Set up the printer for the paper thickness you are using. See "Adjusting for paper thickness" on page 63.

Problem	Possible Cause	Recommended Action
<p>Incorrect number of lines are printed on the page.</p>	<p>Auto line feed with carriage return is enabled.</p>	<p>Use the EDS Mode or User Setup Utility to disable auto line feed with carriage return. See "Switch 4: Auto LF with CR" on page 32 .</p>
	<p>The line spacing or leading selected by your application program is wrong.</p>	<p>Choose a different line spacing or leading setting from your application.</p>
	<p>Dot adjustment is not correct.</p>	<p>See "Adjusting the dot alignment" on page 72.</p>
<p>Text and graphics are malformed. Print quality is poor.</p>	<p>The ribbon is worn out or "used up."</p>	<p>Replace the ribbon with a new one.</p>
	<p>The printer is not set up correctly for the thickness of paper being used.</p>	<p>Set up the printer for the paper thickness you are using. See "Adjusting for paper thickness" on page 63.</p>
	<p>The printer is not in the Multi-part Mode when printing on multi-part forms with an original and three to four copies.</p>	<p>Use the EDS Mode or User Setup Utility to enter the Multi-part Mode. See "Switch 6: Multi-Part Mode" on page 32.</p>
	<p>The print head is damaged.</p>	<p>Return the printer to your dealer for repair.</p>
<p>Forms are smudged. Printing is too dark.</p>	<p>The printer is not set up correctly for the thickness of paper being used.</p>	<p>Set up the printer for the paper thickness you are using. See "Adjusting for paper thickness" on page 63.</p>
	<p>The ribbon is jammed, twisted, or not set correctly between the print head and the print head shield.</p>	<p>Make sure that the ribbon cassette is installed correctly. See "Installing the ribbon cassette" on page 6.</p>
	<p>Print head shield is damaged or missing.</p>	<p>Return it to your dealer for repair.</p>

Problem	Possible Cause	Recommended Action
Printer case is hot.	The printer's air vents are blocked or obstructed.	Switch off the printer and let it cool. Check the air vents on the bottom of the printer to see if they are blocked. Remove the obstruction if possible. If the problem persists, return the printer to your dealer for repair.
Printer makes excessive noise.	The front cover is removed.	Replace the front cover.
	The printer is vibrating.	Move any objects that are touching the printer.
		Make sure that the printer is on a level steady surface.
Printer prints past the edge of the paper.	Incorrect margin settings are selected by your application program.	Choose different margin settings from your application program.
	The paper guide is not positioned correctly.	Remove the paper and adjust the position of the paper guide. Reload the paper and try printing again.
	The ribbon is jammed, causing the print head to jam.	Make sure that the ribbon cassette is installed correctly. See "Installing the ribbon cassette" on page 6.
	Paper is jamming, causing the print head to jam.	Remove all paper from the printer and reload it. Try printing again.
Set up the printer for the paper thickness you are using. See "Adjusting for paper thickness" on page 63.		

Problem	Possible Cause	Recommended Action
<p>Left margin moves to the right during printing.</p>	<p>The paper is not loaded correctly, causing the print head to jam.</p>	<p>Remove all paper from the printer and reload it. Try printing again.</p>
	<p>The ribbon cassette is not installed correctly, causing the print head to jam.</p>	<p>Make sure that the ribbon cassette is installed correctly. See "Installing the ribbon cassette" on page 6.</p>
	<p>The printer is not set up correctly for the thickness of paper being used.</p>	<p>Set up the printer for the paper thickness you are using. See "Adjusting for paper thickness" on page 63.</p>
	<p>Inappropriate settings are selected by your application program.</p>	<p>Choose different settings in your application.</p>
	<p>Static electricity caused by interference from nearby electrical devices or by low-level humidity is affecting printer operation.</p>	<p>Make sure that the printer is not too close to any devices with electric motors or try to raise the humidity level.</p>
<p>Some characters are printed incorrectly.</p>	<p>Static electricity caused by interference from nearby electrical devices or by low-level humidity is affecting printer operation.</p>	<p>Make sure that the printer is not too close to any devices with electric motors or try to raise the humidity level.</p>
	<p>Inappropriate settings are selected by your application program.</p>	<p>Choose different settings in your application.</p>
	<p>Wires are missing from the print head.</p>	<p>Return the printer to your dealer for repair.</p>

Problem	Possible Cause	Recommended Action
Printer behaves erratically. Printing suddenly stops.	The interface cable is connected incorrectly or damaged.	Check to make sure that the printer interface cable is connected correctly. If it is, try a different cable.
	Static electricity caused by interference from nearby electrical devices or by low-level humidity is affecting printer operation.	Make sure that the printer is not too close to any devices with electric motors or try to raise the humidity level.
Automatic Sheet Feeder does not feed paper.	The EDS Mode setting for the Automatic Sheet Feeder is wrong.	Enter the EDS Mode and turn off Switch 4 in Bank A (see page 31).

Checking system software settings in Windows

Whenever you have problems printing from a Windows application, you should check the following four things:

- ✓ Is the printer you are using set as the default printer?
- ✓ Is the driver setup correct?
- ✓ Is the printer you are using correctly selected in your application?
- ✓ Is the correct port selected?

You should also refer to your *Microsoft Windows User's Guide* for other information that might be helpful. If you still experience problems, consult your software dealer.

To check the default printer selection

- Double-click the **Control Panel** icon in the Main window.
- Double-click the **Printers** icon.
- Check to see that the name of your Star printer is the default printer. If it is not, double-click on the name of your printer in the list of installed printers.
- Click on **Close** to return to the Control Panel window.

To check the application printer selection

- Select **Print** from the application's **File** menu, and a window appears listing available printers.
- Check to see that the name of your Star printer is selected. If it is not, select it and try printing from your application again.

To check the driver setup

- Double-click the **Control Panel** icon in the Main window.
- Double-click the **Printers** icon.
- Double-click on the name of your Star printer in the list of installed printers.
- Click on **Setup**.
- Check resolution, paper source, etc.
- Click **OK**.
- Click on **Close** to return to the Control Panel window.

To check the port

- Double-click the **Control Panel** icon in the Main window.
- Double-click the **Printers** icon.
- Double-click on the name of your Star printer in the list of installed printers.
- Click on **Connect**.
- Make sure that your printer cable is connected to the port highlighted in the list of ports.
If you are using a parallel cable, you will probably be using LPT1. If you are using the optional serial-to-parallel interface converter or optional serial interface unit, you should be using COM1 or COM2. Click on the correct port name.
- Click **OK**.
- Click on **Close** to return to the Control Panel window.

Checking system software settings in MS-DOS

If you are using a parallel cable and cannot print a text file using the MS-DOS PRINT command, you may have a problem with your AUTOEXEC.BAT file. Open the file and look for the following line:

```
MODE LPT1 :=COM1 or MODE LPT1 :=COM2
```

These lines indicate you are using a serial cable connection, and so you should delete them, save the AUTOEXEC.BAT file, reboot and try printing again.

Of course, if you are having problems printing with the optional serial-to-parallel converter or optional serial interface unit, you should conversely check to make sure that one of the above lines is included in your AUTOEXEC.BAT file. The file must also contain information on parameter settings. For details, see the user's manual that comes with the optional serial-to-parallel interface converter or optional serial interface unit.

If the above is not the problem or if you make the above changes and still experience problems printing using the MS-DOS PRINT command, refer to your *MS-DOS Users' Guide* or consult your software dealer.

If you are successful in printing using the MS-DOS PRINT command but cannot print from an application, check to see what printer driver is selected in the application. See "Setting up for printing with MS-DOS" on page 61. If this does not help, consult your software dealer.

Appendix B: Specifications

Printing System	Serial Impact Dot-Matrix		
Printing Speed	Pitch	Draft (cps/dpi)	NLQ (cps/dpi)
LC-1521	Pica (10 cpi)	300/120H (Normal) 400/90H (HS)	75/240H
	Elite (12 cpi)	360/120H	90/240H
	Condensed pica (17 cpi)	255/240H	127/240H
	Condensed elite (20 cpi)	300/240H	150/240H
	LC-1511	Pica (10 cpi)	225/120H
Elite (12 cpi)		270/120H	67/240H
Condensed pica (17 cpi)		191/240H	95/240H
Condensed elite (20 cpi)		225/240H	112/240H
H: half-dot			
Print Direction	Draft:	Bi-directional logic seeking	
	NLQ:	Uni-directional/ bi-directional logic seeking (selectable)	
	Bit-Image:	Uni-directional/ bi-directional logic seeking (selectable)	
Print Head	Number of pins:	9	
	Life:	200 million dots/pin (Normal Mode) 100 million dots/pin (Multi-Part Mode)	
Line Spacing	1/6", 1/8" 7/72", n/72", n/216": software		
Character Matrix	Pitch	Draft	NLQ
LC-1521	Pica (10 cpi)	9 × 11H (Normal) 9 × 8H (HS)	18 × 23H
	Elite (12 cpi)	9 × 9H	18 × 19H
	Condensed pica (17 cpi)	9 × 11H	18 × 12H
	Condensed elite (20 cpi)	9 × 9H	18 × 10H
	LC-1511	Pica (10 cpi)	9 × 11H
Elite (12 cpi)		9 × 9H	18 × 19H
Condensed pica (17 cpi)		9 × 11H	18 × 12H
Condensed elite (20 cpi)		9 × 9H	18 × 10H
Environment		Operating temperature:	41°F to 95°F (5°C to 35°C)
	Storage temperature:	-22°F to 149°F (-30°C to 65°C)	
	Operating humidity:	30% to 80% (non-condensing)	
	Storage humidity:	20% to 90% (non-condensing)	

Paper**Cut-sheet (manual feeding)**

Paper width:	7" to 16.54" / 178 to 420 mm
Paper length:	5.5" to 14" / 140 to 356 mm
Paper thickness:	0.00276" to 0.00472" / 0.07 to 0.12 mm
Paper weight:	14 to 24 lbs. / 52 to 90 g/m ² / 45 to 77 kg

Cut-sheet (with optional automatic sheet feeder)

Paper size:	B5, A4, LT, B4, A3, Legal
Paper thickness:	0.00315" to 0.00472" / 0.08 to 0.12 mm
Paper weight:	16 to 24 lbs. / 60 to 90 g/m ² / 52 to 77 kg
Hopper:	50 sheets of 64 g/m ² 30 sheets of 80 g/m ²
Stacker:	10 sheets

Fanfold (with push tractor feeder)

Paper width:	4" to 16.5" / 101.6 to 419 mm
Paper thickness:	0.00276" to 0.00433" / 0.07 to 0.11 mm (one-ply) 0.01378" / 0.35 mm maximum (total thickness of multi-ply paper, non-carbon)
Paper weight:	14 to 22 lbs. / 52 to 82 g/m ² / 45 to 70 kg (one-ply) 11 to 14 lbs. / 40 to 52 g/m ² / 34 to 45 kg (multi-ply)
Copies:	Original + 1 or 2 (Normal Mode) Original + 3 or 4 (Multi-Part Mode) * Multi-Part Mode is recommended when using optional pull tractor unit.

Fanfold (with optional pull tractor feeder)

Paper width:	4" to 16.0" / 101.6 to 406 mm
Paper thickness:	0.00276" to 0.00433" / 0.07 to 0.11 mm (one-ply) 0.01378" / 0.35 mm maximum (total thickness of multi-ply paper, non-carbon)
Paper weight:	14 to 22 lbs. / 52 to 82 g/m ² / 45 to 70 kg (one-ply) 11 to 14 lbs. / 40 to 52 g/m ² / 34 to 45 kg (multi-ply)
Copies:	Original + 1 or 2 (Normal Mode) Original + 3 or 4 (Multi-Part Mode)

Labels

Backing sheet:	4.5" to 16.5" / 114 to 419 mm
Thickness	
Backing sheet:	0.00268" to 0.0035" / 0.07 to 0.09mm
Total:	0.0075" / 0.19mm max.

Emulation

Standard Mode:	EPSON ESC/P (9-pin)
IBM Mode:	Proprinter III

Interface

Standard:	Centronics parallel
Option:	RS-232C/RS-422 serial

Ribbon Type	On-carriage, dedicated Monochrome (Y9WH), Black only
Ribbon Life	2.5 million characters (Draft 10 cpi)
Dimensions and Weight	Width: 23.2" / 590 mm Depth: 13.9" / 355 mm Height: 7.3" / 186 mm Weight: 18.3 lbs. / 8.3 kg
Power Supply	120V AC +10%/-17%, 230V AC +14%/-13%; 50/60Hz (depending on country of purchase)
Power Consumption	
LC-1521	11W during standby / 50W during ASCII draft printing
LC-1511	9W during standby / 30W during ASCII draft printing
Options	PT-15HA Pull Tractor Unit SF-15HA Single-Bin Automatic Sheet Feeder IS-8H192 Serial Interface Unit IS-32H768 Serial Interface Unit SPC-8K Serial-To-Parallel Converter

Appendix C: Interface Pin Outs

Parallel Interface

Pin	Name	Function
1	STROBE	Goes low for $\geq 0.5\mu\text{s}$ when active.
2	DATA0	These signals represent information for the 1st through 8th bit of parallel data, respectively. Each signal is HIGH when data is logical 1, and LOW when logical 0.
3	DATA1	
4	DATA2	
5	DATA3	
6	DATA4	
7	DATA5	
8	DATA6	
9	DATA7	
10	ACK	10 μs low to acknowledge receipt of data.
11	BUSY	Printer sets line low when ready to receive data.
12	PAPER	High when paper runs out.
13	SELECT	High when printer is on-line.
14	AFXT	Printer ignores this signal
15		Not used.
16	SIGNAL GND	Signal ground
17	CHASSIS	Chassis ground (isolated from signal ground)
18	+5V	+5V DC output from printer
19 - 30	GND	Twisted pair ground return
31	RESET	Printer is reset when this signal goes low.
32	ERROR	Low when printing cannot continue due to error.
33	EXT GND	External ground
34 - 35		Not used
36	SELECT IN	Printer ignores this signal

Optional Serial Interface (IS-8H192 and SPC-8K)

Pin	Name	Function
1	GND	Printer chassis ground
2	TXD	Data from printer
3	RXD	Data to printer
4	RTS	Always space
5	CTS	Space when computer is ready to send data. Printer ignores this signal.
6		Not used.
7	GND	Signal ground
8 - 10		Not used.
11	RCH	Printer sets line to space when ready to receive data. Same signal as Pin 20.
12 - 19		Not used.
20	DTR	Printer sets line to space when ready to receive data.
21 - 25		Not used.

Appendix D: Character Sets

Standard Italic Character Set

	0	1	2	3	4	5	6	7	8	9	A	B	C	D	E	F
0	<MUL>			0	@	P	˘	p	à	\$		0	@	P	˘	p
1		<DC1>	!	1	A	Q	a	q	è	ß	!	1	A	Q	a	q
2		<DC2>	"	2	B	R	b	r	ù	£	"	2	B	R	b	r
3		<DC3>	#	3	C	S	c	s	ò	æ	#	3	C	S	c	s
4		<DC4>	\$	4	D	T	d	t	ì	ø	\$	4	D	T	d	t
5			%	5	E	U	e	u	°	ø	%	5	E	U	e	u
6			&	6	F	V	f	v	£	°	&	6	F	V	f	v
7	<BEL>		'	7	G	W	g	w	ï	ä	'	7	G	W	g	w
8	<BS> <CAN>		(8	H	X	h	x	ï	ö	(8	H	X	h	x
9	<HT>)	9	I	Y	i	y	ñ	ü)	9	I	Y	i	y
A	<LF>		*	:	J	Z	j	z	ñ	ä	*	:	J	Z	j	z
B	<VT> <ESC>		+	;	K	[k	{	ü	ö	+	;	K	[k	{
C	<FF>		,	<	L	\	l	;	Ë	ü	,	<	L	\	l	;
D	<CR>		-	=	M]	m	}	Ä	É	-	=	M]	m	}
E	<SO>		.	>	N	^	n	~	ä	é	.	>	N	^	n	~
F	<SI>		/	?	O	_	o		ç	¥	/	?	O	_	o	

International Character Set

The character codes shown in the table are hexadecimal.

Country	23	24	40	58	5A	5B	5C	5D	5E	60	7B	7C	7D	7E
U.S.A.	#	\$	@	X	Z	[\]	˘	˘	{		}	~
FRANCE	#	\$	à	X	Z	°	ç	\$	˘	˘	é	ù	è	˘
GERMANY	#	\$	\$	X	Z	Ä	Ö	Ü	˘	˘	ä	ö	ü	ß
ENGLAND	£	\$	@	X	Z	[\]	˘	˘	{		}	~
DENMARK 1	#	\$	@	X	Z	Æ	Ø	Å	˘	˘	æ	ø	å	˘
SWEDEN	#	¤	É	X	Z	Ä	Ö	Å	Ü	é	ä	ö	å	ü
ITALY	#	\$	@	X	Z	°	\	é	˘	ù	à	ò	è	ì
SPAIN 1	£	\$	@	X	Z	ı	Ñ	¿	˘	˘	ı	ñ	ó	ú
JAPAN	#	\$	@	X	Z	[¥]	˘	˘	{		}	~
NORWAY	#	¤	É	X	Z	Æ	Ø	Å	Ü	é	æ	ø	å	ü
DENMARK 2	#	\$	É	X	Z	Æ	Ø	Å	Ü	é	æ	ø	å	ü
SPAIN 2	#	\$	á	X	Z	ı	Ñ	¿	é	ı	ı	ñ	ó	ú
LATIN AMERICA	#	\$	á	X	Z	ı	Ñ	¿	é	ü	ı	ñ	ó	ú
KOREA	#	\$	@	X	Z	[₩]	˘	˘	{		}	~
IRELAND	#	\$	@	Ú	˘	[\]	˘	˘	A	E	Ó	˘
LEGAL	#	\$	\$	X	Z	°	'	"	¶	˘	©	®	†	™

IBM Character Set #2
Code Page #437 (IBM-PC)

	0	1	2	3	4	5	6	7	8	9	A	B	C	D	E	F
0	<NUL>			0	@	P	~	p	Ç	É	á	█	┌	⌘	α	≡
1	<DC1>	!	1	A	Q	a	q	ü	æ	í	█	└	⌘	β	±	
2	<DC2>	"	2	B	R	b	r	é	Æ	ó	█	┌	⌘	Γ	∞	
3	♥ <DC3>	#	3	C	S	c	s	â	ô	ú	█	┌	⌘	π	∞	
4	♦ <DC4>	\$	4	D	T	d	t	ä	ö	ñ	█	┌	⌘	Σ	∞	
5	♣ \$	%	5	E	U	e	u	à	ò	Ñ	█	┌	⌘	σ	∞	
6	♠	&	6	F	V	f	v	â	û	▯	█	┌	⌘	μ	+	
7	<BEL>	'	7	G	X	g	x	ç	ù	ò	█	┌	⌘	τ	Φ	
8	<BS > <CAN>	(8	H	X	h	x	ê	ÿ	ï	█	┌	⌘	θ	°	
9	<HT>)	9	I	Y	i	y	ë	ÿ	ï	█	┌	⌘	Φ	°	
A	<LF>	*	:	J	Z	j	z	è	Û	┌	█	┌	⌘	Ω	ı	
B	<VT> <ESC>	+	;	K	[k	{	ï	ç	½	█	┌	⌘	δ	ı	
C	<FF>	,	<	L	\	l		î	£	¼	█	┌	⌘	ø	ı	
D	<CR>	-	=	M]	m	}	ì	¥	ı	█	┌	⌘	ø	ı	
E	<SO>	.	>	N	~	n	~	Ä	Ŕ	»	█	┌	⌘	ε	ı	
F	<SI>	/	?	O	_	o		Å	Ŧ	»	█	┌	⌘	∩	ı	

Character Set #1

Other characters are the same as those for Character Set #2.

	0	1
0	<NUL>	
1		
2		<DC1>
3		<DC2>
4		<DC3>
5		<DC4>
6		
7	<BEL>	
8	<BS > <CAN>	
9	<HT> 	
A	<LF>	
B	<VT> <ESC>	
C	<FF>	
D	<CR>	
E	<SO>	
F	<SI>	

	8	9
0	<NUL>	
1		
2		<DC1>
3		<DC2>
4		<DC3>
5		<DC4>
6		
7	<BEL>	
8	<BS > <CAN>	
9	<HT> 	
A	<LF>	
B	<VT> <ESC>	
C	<FF>	
D	<CR>	
E	<SO>	
F	<SI>	

IBM Special Character Set

The following characters can be printed using the <ESC> ^ command.

	0	1
0	⊙	▶
1	⊕	◀
2	⊗	↕
3	♥	≡
4	♠	⌘
5	♣	⌘
6	♣	⌘
7	♣	⌘
8	⊠	↑
9	⊙	↓
A	⊙	↓
B	♁	←
C	♀	⌒
D	♫	⊕
E	♫	▲
F	✳	▼

Code Page #850 Multi-lingual

Other characters are the same as those for Code Page #437.

	8	9	A	B	C	D	E	F
0	Ç	É	Á	⌘	Ł	Ò	Ó	—
1	ü	æ	Í	⌘	ł	Ð	ß	±
2	é	Æ	Ó	⌘	ł	È	Ô	=
3	â	ô	Ú	⌘	ł	É	Ö	¼
4	ä	ö	Ï	⌘	ł	È	Ï	¶
5	à	ò	Ñ	A	ł	É	Ï	§
6	ä	ù	Ð	A	ł	Í	µ	÷
7	ç	ÿ	Ç	⊙	ł	Í	ı	˙
8	ê	ÿ	Ç	⊙	ł	Í	ı	˙
9	ë	ö	⊙	⌘	ł	ı	ı	˙
A	è	Û	ı	⌘	ł	ı	ı	˙
B	í	ø	ı	⌘	ł	ı	ı	˙
C	î	£	ı	⌘	ł	ı	ı	˙
D	ı	Ø	ı	⌘	ł	ı	ı	˙
E	Ä	X	ı	⌘	ł	ı	ı	˙
F	Å	ƒ	ı	⌘	ł	ı	ı	˙

Code Page #860 Portuguese

Other characters are the same as those for Code Page #437.

	8	9	A	B	C	D	E	F
0	Ç	É	Á	⌘	Ł	μ	α	≡
1	ü	À	Í	⌘	ł	τ	β	±
2	é	È	Ó	⌘	ł	Γ	γ	>
3	â	ô	Ú	⌘	ł	π	π	≤
4	ä	ö	Ï	⌘	ł	ε	Σ	↵
5	à	ò	Ñ	⌘	ł	σ	σ	↵
6	Ä	Û	Ð	⌘	ł	μ	μ	÷
7	ç	ÿ	Ç	⊙	ł	τ	τ	≈
8	ê	ı	Ç	⊙	ł	Φ	Φ	˙
9	É	Ö	Ç	⊙	ł	Θ	Θ	˙
A	è	Û	ı	⌘	ł	Ω	Ω	˙
B	í	ç	ı	⌘	ł	δ	δ	↵
C	ô	£	ı	⌘	ł	ø	ø	˙
D	ı	Û	ı	⌘	ł	ø	ø	˙
E	Ä	R	ı	⌘	ł	ø	ø	˙
F	Å	Ó	ı	⌘	ł	ø	ø	˙

Code Page #861 Icelandic

Other characters are the same as those for Code Page #437.

	8	9	A	B	C	D	E	F
0	Ç	É	Á	⌘	Ł	μ	α	≡
1	ü	æ	Í	⌘	ł	τ	β	±
2	é	Æ	Ó	⌘	ł	Γ	γ	>
3	â	ô	Ú	⌘	ł	π	π	≤
4	ä	ö	Ï	⌘	ł	ε	Σ	↵
5	à	ò	Ñ	⌘	ł	σ	σ	↵
6	Ä	Û	Ð	⌘	ł	μ	μ	÷
7	ç	ÿ	Ç	⊙	ł	τ	τ	≈
8	ê	ı	Ç	⊙	ł	Φ	Φ	˙
9	ë	ö	ı	⌘	ł	Θ	Θ	˙
A	è	Û	ı	⌘	ł	Ω	Ω	˙
B	ð	ø	ı	⌘	ł	δ	δ	↵
C	ö	£	ı	⌘	ł	ø	ø	˙
D	þ	Ø	ı	⌘	ł	ø	ø	˙
E	Þ	R	ı	⌘	ł	ø	ø	˙
F	À	ƒ	ı	⌘	ł	ø	ø	˙

**Code Page #863
Canadian French**

Other characters are the same as those for Code Page #437.

	8	9	A	B	C	D	E	F
0	Ç	É	Ì	⋮	Ł	Ш	α	≡
1	Û	È	˘	⋮	ł	Т	β	±
2	é	Ê	Ó	⋮	Т	Г	γ	≥
3	â	ô	ú	⋮	Т	Π	π	≤
4	À	È	˘	⋮	Т	Е	Σ	∫
5	à	î	˘	⋮	Т	Ф	σ	∫
6	ŕ	û	˘	⋮	Т	Г	μ	+ ≈ °
7	ç	ê	ó	⋮	Т	Г	τ	Φ
8	ë	ô	ú	⋮	Т	Г	θ	• °
9	è	ù	˘	⋮	Т	Г	Ω	∫
A	è	Û	˘	⋮	Т	Г	δ	∫
B	ï	ç	£	⋮	Т	Г	ø	∫
C	î	£	£	⋮	Т	Г	ø	∫
D	=	Û	»	⋮	Т	Г	∅	∫
E	À	Û	»	⋮	Т	Г	∅	∫
F	Š	ſ	»	⋮	Т	Г	∅	∫

**Code Page #865
Nordic**

Other characters are the same as those for Code Page #437.

	8	9	A	B	C	D	E	F
0	Ç	É	Á	⋮	Ł	Ш	α	≡
1	Û	Æ	Í	⋮	ł	Т	β	±
2	é	Æ	Ó	⋮	Т	Г	γ	≥
3	â	ô	ú	⋮	Т	Π	π	≤
4	ä	ö	ñ	⋮	Т	Е	Σ	∫
5	à	ò	Ń	⋮	Т	Ф	σ	∫
6	â	û	æ	⋮	Т	Г	μ	+ ≈ °
7	ç	û	ç	⋮	Т	Г	τ	Φ
8	ë	ÿ	ç	⋮	Т	Г	θ	• °
9	è	ÿ	ç	⋮	Т	Г	Ω	∫
A	è	Û	ç	⋮	Т	Г	δ	∫
B	ï	ø	½	⋮	Т	Г	ø	∫
C	î	£	¼	⋮	Т	Г	ø	∫
D	ì	Ø	¼	⋮	Т	Г	∅	∫
E	Ā	Ŕ	Ā	⋮	Т	Г	∅	∫
F	Ā	Ŕ	Ā	⋮	Т	Г	∅	∫

**Code Page #866
Russian**

Other characters are the same as those for Code Page #437.

	8	9	A	B	C	D	E	F
0	А	Р	а	⋮	Ł	Ш	р	Ё
1	Б	С	б	⋮	ł	Т	с	ё
2	В	Т	в	⋮	Т	Г	т	ѐ
3	Г	У	г	⋮	Т	Π	у	ѐ
4	Д	Ф	д	⋮	Т	Е	ф	ї
5	Е	Х	е	⋮	Т	Ф	х	і
6	Ж	Ц	ж	⋮	Т	Г	ц	у
7	З	Ч	з	⋮	Т	Г	ч	°
8	И	Ш	и	⋮	Т	Г	ш	• °
9	И	Щ	й	⋮	Т	Г	щ	• °
A	К	Ъ	к	⋮	Т	Г	ъ	∫
B	Л	Ы	л	⋮	Т	Г	ы	∫
C	М	Ь	м	⋮	Т	Г	ь	∫
D	Н	Э	н	⋮	Т	Г	э	∫
E	О	Ю	о	⋮	Т	Г	ю	∫
F	П	Я	п	⋮	Т	Г	я	∫

**Code Page #3840
IBM-Russian**

Other characters are the same as those for Code Page #437.

	8	9	A	B	C	D	E	F
0	А	Р	а	⋮	Ł	Ш	р	≡
1	Б	С	б	⋮	ł	Т	с	±
2	В	Т	в	⋮	Т	Г	т	≥
3	Г	У	г	⋮	Т	Π	у	≤
4	Д	Ф	д	⋮	Т	Е	ф	∫
5	Е	Х	е	⋮	Т	Ф	х	∫
6	Ж	Ц	ж	⋮	Т	Г	ц	+ ≈ °
7	З	Ч	з	⋮	Т	Г	ч	• °
8	И	Ш	и	⋮	Т	Г	ш	• °
9	И	Щ	й	⋮	Т	Г	щ	• °
A	К	Ъ	к	⋮	Т	Г	ъ	∫
B	Л	Ы	л	⋮	Т	Г	ы	∫
C	М	Ь	м	⋮	Т	Г	ь	∫
D	Н	Э	н	⋮	Т	Г	э	∫
E	О	Ю	о	⋮	Т	Г	ю	∫
F	П	Я	п	⋮	Т	Г	я	∫

**Code Page #3841
Gost-Russian**

Other characters are the same as those for Code Page #437.

	8	9	A	B	C	D	E	F
0	Ф	Ф		0	Ю	П	Ю	П
1	Ө	Э	!	1	я	Я	А	Я
2	ё	ё	"	2	б	р	В	Р
3	і	І	#	3	ц	с	Ц	С
4	ї	І	□	4	д	т	Д	Т
5	Ј	Ј	%	5	е	у	Е	У
6	Ж	Ж	&	6	ф	ж	Ф	Ж
7	ө	Ө	'	7	х	в	Г	В
8	ұ	У	(8	г	ь	Х	Ь
9	ү	Ү)	9	и	ы	И	Ы
A	ұ	Ұ	*	:	й	э	И	Э
B	ң	Ң	+	;	к	ш	К	Ш
C	ш	Ш	,	<	л	э	Л	Э
D	ч	Ч	-	=	м	щ	М	Щ
E	ё	Е	.	>	н	ч	Н	Ч
F	£	Б	/	?	о	ь	О	Ь

**Code Page #3843
Polish**

Other characters are the same as those for Code Page #437.

	8	9	A	B	C	D	E	F
0	Ç	E	Z	Ł	ł	α	≡	
1	ü	ę	Z	ł	ł	β	±	
2	é	ł	ó	ł	ł	Γ	≥	
3	â	ô	ó	ł	ł	π	≤	
4	ä	ö	ń	ł	ł	Σ	↳	
5	à	ć	N	ł	ł	σ	↳	
6	ą	ù	z	ł	ł	μ	÷	
7	ç	ę	z	ł	ł	τ	≈	
8	ë	ö	z	ł	ł	Φ	°	
9	ë	ö	ł	ł	ł	Θ	.	
A	è	ù	ł	ł	ł	Ω	-	
B	ì	ż	ł	ł	ł	δ	↳	
C	í	ł	ł	ł	ł	ø	↳	
D	ć	ł	ł	ł	ł	ø	↳	
E	č	ł	ł	ł	ł	ø	↳	
F	Ā	ł	ł	ł	ł	ø	↳	

**Code Page #3844
CS2**

Other characters are the same as those for Code Page #437.

	8	9	A	B	C	D	E	F
0	Č	Ě	á	Ł	ł	α	≡	
1	ü	ž	í	ł	ł	β	±	
2	é	Z	ó	ł	ł	Γ	≥	
3	ď	ô	ú	ł	ł	π	≤	
4	ä	ö	ň	ł	ł	Σ	↳	
5	Ď	ó	N	ł	ł	σ	↳	
6	ř	ú	Ů	ł	ł	μ	÷	
7	č	U	ô	ł	ł	τ	≈	
8	ě	y	š	ł	ł	Φ	°	
9	Ě	ö	ř	ł	ł	Θ	.	
A	L	ü	ř	ł	ł	Ω	-	
B	I	š	ř	ł	ł	δ	↳	
C	I	l	š	ł	ł	ø	↳	
D	I	Y	š	ł	ł	ø	↳	
E	Ā	R	š	ł	ł	ø	↳	
F	A	č	š	ł	ł	ø	↳	

**Code Page #3845
Hungarian**

Other characters are the same as those for Code Page #437.

	8	9	A	B	C	D	E	F
0	Ç	E	á	Ł	ł	α	≡	
1	ü	æ	í	ł	ł	β	±	
2	é	Æ	ó	ł	ł	Γ	≥	
3	â	ó	ú	ł	ł	π	≤	
4	ä	ö	ń	ł	ł	Σ	↳	
5	à	ó	N	ł	ł	σ	↳	
6	ą	ú	Ű	ł	ł	μ	÷	
7	ç	U	ö	ł	ł	τ	≈	
8	ë	ü	ö	ł	ł	Φ	°	
9	ë	ö	ł	ł	ł	Θ	.	
A	è	ü	ł	ł	ł	Ω	-	
B	ì	ç	ł	ł	ł	δ	↳	
C	í	č	ł	ł	ł	ø	↳	
D	I	č	ł	ł	ł	ø	↳	
E	Ā	R	č	ł	ł	ø	↳	
F	A	č	č	ł	ł	ø	↳	

**Code Page #3846
Turkish**

Other characters are the same as those for Code Page #437.

	8	9	A	B	C	D	E	F
0	Ç	É	á	⋮	Ł	μ	α	≡
1	ü	æ	í	⋮	ł	τ	β	±
2	é	Æ	ó	⋮	ł	Γ	Γ	>
3	â	ô	ú	⋮	ł	Π	π	<
4	ä	ö	ñ	⋮	ł	Σ	σ	ƒ
5	à	ò	Ń	⋮	ł	σ	σ	ı
6	ä	ü	Ġ	⋮	ł	μ	μ	ı
7	ç	ç	ı	⋮	ł	τ	τ	ø
8	ê	î	ı	⋮	ł	Φ	φ	°
9	ë	ö	ı	⋮	ł	Θ	θ	.
A	è	ü	ı	⋮	ł	Ω	Ω	-
B	ï	ç	ı	⋮	ł	δ	δ	ı
C	ı	£	ı	⋮	ł	ø	ø	ı
D	ı	¥	ı	⋮	ł	ø	ø	ı
E	Ä	Š	ı	⋮	ł	ø	ø	ı
F	Ä	Š	ı	⋮	ł	ø	ø	ı

**Code Page #3847
Brazil-ABNT**

Other characters are the same as those for Code Page #437.

	8	9	A	B	C	D	E	F
0			°	A	Đ	à	đ	
1			ı	±	Ā	Ñ	á	ñ
2			ç	²	Ā	Ò	â	ò
3			£	°	Ā	Ó	ã	ó
4			¤	˘	Ā	Ô	ä	ô
5			¥	μ	Ā	Ö	å	ö
6			ı	π	Ā	Ö	æ	ö
7			ı	š	Ā	Ç	ç	
8			ı	.	Ā	Ø	ø	
9			ı	ı	Ā	Ù	é	ù
A			ı	ı	Ā	Ú	ê	ú
B			ı	ı	Ā	Û	ë	û
C			ı	ı	Ā	Ü	ì	ü
D			ı	ı	Ā	Ý	í	ý
E			ı	ı	Ā	Ɔ	î	Ɔ
F			ı	ı	Ā	İ	ï	ı

**Code Page #3848
Brazil-ABICOMP**

The other characters are the same as in code page #437.

	8	9	A	B	C	D	E	F
0			ò		ı	ò		
1			À	Ó	à	ó		
2			Á	Ô	á	ô		
3			Ā	Ö	ā	ö		
4			Ä	Æ	ä	æ		
5			Ā	Ā	ā	ā		
6			Ç	Ù	ç	ù		
7			È	Ú	è	ú		
8			É	Û	é	û		
9			Ê	Ü	ê	ü		
A			Ë	Ý	ë	ý		
B			İ		ı	ı		
C			Í	£	í	ı		
D			ı	ı	ı	ı		
E			İ	Š	ı	ı		
F			Ñ	°	ñ	ı		

**Code Page #852
Latin-2**

Other characters are the same as those for Code Page #437.

	8	9	A	B	C	D	E	F
0	Ç	É	á	⋮	Ł	đ	Ó	-
1	ü	Ĺ	í	⋮	ł	Đ	Ò	ı
2	é	Ī	ó	⋮	ł	Ď	Ń	ı
3	â	ô	ú	⋮	ł	Ě	Ň	ı
4	ä	ö	ā	⋮	ł	ě	ň	ı
5	à	ò	Ā	⋮	ł	Ā	Ń	ı
6	ä	ü	Ā	⋮	ł	Ā	Ī	ı
7	ç	š	š	⋮	ł	Ā	Š	ı
8	ı	š	š	⋮	ł	Ā	Š	ı
9	è	ö	e	⋮	ł	Ā	Ů	ı
A	ó	ü		⋮	ł	Ā	Ů	ı
B	ó	T	z	⋮	ł	Ā	Ů	ı
C	ı	č	č	⋮	ł	Ā	Ů	ı
D	Z	L	S	⋮	ł	Ā	Ů	ı
E	Ä	X	<	⋮	ł	Ā	Ů	ı
F	č	č	>	⋮	ł	Ā	Ů	ı

**Code Page #1001
Arabic**

Other characters are the same as those for Code Page #437.

	8	9	A	B	C	D	E	F
0	ء	ر	ع	م	ل	و	ف	≡
1	آ	ز	ع	ن	هـ	و	ي	±
2	أ	س	غ	ث	ق	ـ	لا	≥
3	ؤ	س	غ	هـ	ق	ـ	لا	≤
4	ا	س	ف	ط	ح	ـ	لا	∫
5	ث	ش	ظ	و	خ	ـ	لا	∫
6	ا	ق	ق	ي	خ	ـ	لا	+
7	ب	ش	ق	ي	ع	ـ	لا	∞
8	ـ	ص	ك	ـ	خ	ـ	لا	°
9	ة	م	ظ	ـ	غ	ـ	لا	°
A	ت	ص	ل	ـ	ن	ـ	لا	°
B	ث	ق	ـ	لا	ـ	لا	ـ	√
C	ث	ض	ـ	لا	ـ	ـ	ـ	∞
D	ث	ظ	ـ	لا	ـ	ـ	ـ	∞
E	د	ـ	ـ	ـ	ـ	ـ	ـ	ε
F	ذ	ظ	ـ	ـ	ـ	ـ	ـ	■

**Code Page #737
Greek**

Other characters are the same as those for Code Page #437.

	8	9	A	B	C	D	E	F
0	Α	Ρ	Λ	⏏	Λ	Μ	Ω	Ω
1	Β	Σ	Χ	⏏	±	Τ	Α	±
2	Γ	Τ	Λ	⏏	Τ	Π	Ε	≥
3	Δ	Υ	Μ	⏏	Τ	Π	Η	≤
4	Ε	Φ	Υ	⏏	−	Κ	Ϊ	∫
5	Ζ	Χ	Ε	⏏	−	Φ	Λ	∫
6	Η	Ψ	Ο	⏏	−	Φ	Ο	∫
7	Θ	Ω	Ρ	⏏	−	Φ	Υ	∫
8	Ι	Α	Ρ	⏏	−	Φ	Υ	∫
9	Κ	Β	Σ	⏏	−	Φ	Ω	∫
A	Λ	Υ	Σ	⏏	−	Φ	Α	∫
B	Μ	Δ	Τ	⏏	−	Φ	Β	∫
C	Ν	Ε	Υ	⏏	−	Φ	Η	∫
D	Ξ	Ε	Φ	⏏	−	Φ	Ι	∫
E	Ο	Η	Χ	⏏	−	Φ	Ο	∫
F	Π	Θ	Ψ	⏏	−	Φ	Υ	∫

**Code Page #851
Greek**

Other characters are the same as those for Code Page #437.

	8	9	A	B	C	D	E	F
0	Ç	Ι	Û	⏏	Λ	Τ	Ξ	−
1	ü	ο	Û	⏏	±	Υ	η	±
2	é	ο	ó	⏏	−	Φ	θ	υ
3	á	δ	ú	⏏	−	Χ	λ	φ
4	ä	ö	Α	⏏	−	Ψ	κ	χ
5	à	Υ	Β	⏏	−	Ω	λ	§
6	Α	Ù	Γ	⏏	−	Π	α	ψ
7	ç	ù	Δ	⏏	−	Ρ	β	ν
8	è	Ω	Ε	⏏	−	Π	γ	°
9	ë	Ω	Ζ	⏏	−	Π	ε	°
A	è	Û	Η	⏏	−	Π	ο	ω
B	ï	ά	κ	⏏	−	Π	ρ	ü
C	î	έ	θ	⏏	−	Π	σ	ÿ
D	Ë	é	Ι	⏏	−	Π	ς	ώ
E	Ĥ	ή	κ	⏏	−	Π	τ	■
F	Ħ	λ	λ	⏏	−	Π	τ	'

**Code Page #869
Greek**

Other characters are the same as those for Code Page #437.

	8	9	A	B	C	D	E	F
0		Ι	Ϊ	⋮	Λ	Τ	Ξ	-
1		Ϊ	Ϊ	⋮	⊥	Υ	Η	±
2		Ο	Ό	⋮	Τ	Φ	Θ	υ
3			Ό		Τ	Χ	Λ	φ
4			Α		-	Ψ	Χ	χ
5		Υ	Β	Κ	⊥	Ω	Λ	Σ
6	A	Υ	Γ	Λ	Π	Α	Μ	Ψ
7		ϙ	Δ	Μ	Ρ	Β	ν	·
8	-	Ω	Ε	Ν	⋮	γ	ε	·
9	┘	Ζ	Η	⋮	⋮	ο	π	·
A	! :	Η	⋮	⋮	Γ	ω	ϖ	ϖ
B	'	Α	⋮	⋮	■	ρ	σ	τ
C	'	Ε	⋮	⋮	⋮	σ	ς	τ
D	Ε	ε	Ι	⋮	⋮	δ	ς	τ
E	-	ή	<	Ο	⋮	ε	τ	'
F	H	λ	>	⋮	⋮	■		

**Code Page #928
Greek**

Other characters are the same as those for Code Page #437.

	8	9	A	B	C	D	E	F
0			·	Λ	Π	ϖ	π	
1			±	Α	Ρ	α	ρ	
2			²	Β		β	ς	
3		£	³	Γ	Σ	γ	σ	
4			´	Δ	Τ	δ	τ	
5			˘	Ε	Υ	ε	υ	
6			:	Α	Ζ	φ	ε	ψ
7		\$	-	Η	Χ	η	χ	
8		·	·	Θ	Ψ	θ	ψ	
9		ϙ	·	Η	Ι	Ω	ω	
A				Ι	Κ	Υ	κ	ι
B				<	>	Λ	λ	υ
C				┘	┘	Ο	ο	υ
D						½	ν	υ
E						Υ	η	ε
F						Ω	ο	ι

**Code Page #2001
Lithuanian-KBL**

Other characters are the same as those for Code Page #437.

	8	9	A	B	C	D	E	F
0	A	P	a	⋮	Λ	μ	p	E
1	B	C	b	⋮	⊥	τ	e	ē
2	V	T	v	⋮	Τ	Π	u	e
3	Γ	У	г		Τ	Π	e	≤
4	Д	Ф	д		-	ѣ	φ	ι
5	Е	Х	е		+	ѣ	х	i
6	Ж	Ц	ж		+	ѣ	ц	š
7	Э	Ч	э		⋮	⋮	ч	š
8	И	Ш	и		⋮	⋮	ш	U
9	И	Щ	й		⋮	⋮	щ	u
A	К	Ъ	к		⋮	⋮	ъ	U
B	Л	Ы	л		⋮	⋮	ы	U
C	М	Ь	м		⋮	⋮	ь	Z
D	Н	Э	н		⋮	⋮	э	ž
E	О	Ю	о		⋮	⋮	ю	■
F	П	Я	п		⋮	⋮	я	

**Code Page #772
Lithuanian**

Other characters are the same as those for Code Page #437.

	8	9	A	B	C	D	E	F
0	A	P	a	⋮	Λ	a	p	E
1	B	C	b	⋮	⊥	č	c	ē
2	V	T	v	⋮	Τ	e	t	≤
3	Γ	У	г		Τ	e	u	≤
4	Д	Ф	д		-	i	φ	ι
5	Е	Х	е		+	š	х	ι
6	Ж	Ц	ж		+	š	ц	÷
7	Э	Ч	э		⋮	š	ч	≈
8	И	Ш	и		⋮	ž	ш	·
9	И	Щ	й		⋮	ž	щ	·
A	К	Ъ	к		⋮	⋮	ъ	·
B	Л	Ы	л		⋮	⋮	ы	·
C	М	Ь	м		⋮	⋮	ь	·
D	Н	Э	н		⋮	⋮	э	·
E	О	Ю	о		⋮	⋮	ю	·
F	П	Я	п		⋮	⋮	я	·

**Code Page #774
Lithuanian**

Other characters are the same as those for Code Page #437.

	8	9	A	B	C	D	E	F
0	Ç	É	á	⋮	Ł	ą	α	≡
1	ü	æ	í	⋮	ł	ć	β	±
2	é	Æ	ó	⋮	ł	e	Γ	≥
3	â	ô	ú	⋮	ł	ė	π	≤
4	ä	ö	ñ	⋮	ł	į	Σ	” “
5	à	ò	Ñ	A	ł	š	σ	μ
6	â	ô	Q	E	U	u	μ	÷
7	ç	ù	Q	C	U	τ	τ	≈
8	è	ÿ	ç	E	Ł	ž	Φ	•
9	ë	ö	ł	ł	ł	į	Θ	·
A	è	Û	ł	ł	ł	į	Ω	-
B	ï	ç	ł	ł	ł	ł	δ	√
C	î	£	ł	ł	ł	ł	ø	²
D	ì	¥	ł	ł	ł	ł	ø	²
E	Ā	Ŕ	ł	ł	ł	ł	e	■
F	À	Ŗ	ł	ł	ł	ł	∩	

**Code Page #3001
Estonian1**

Other characters are the same as those for Code Page #437.

	8	9	A	B	C	D	E	F
0	Ç	É	á	⋮	Ł	š	ó	-
1	ü	æ	í	⋮	ł	š	õ	±
2	é	Æ	ó	⋮	ł	š	õ	=
3	â	ô	ú	⋮	ł	š	õ	≠
4	ä	ö	ñ	⋮	ł	š	õ	π
5	à	ò	Ñ	A	ł	š	õ	σ
6	â	ô	Q	E	U	š	õ	μ
7	ç	ù	Q	A	A	š	õ	÷
8	è	ÿ	ç	Q	Ł	š	õ	•
9	ë	ö	ł	Q	Ł	š	õ	·
A	è	Û	ł	ł	ł	š	õ	-
B	ï	ø	ł	ł	ł	š	õ	√
C	î	£	ł	ł	ł	š	õ	²
D	ì	Ø	ł	ł	ł	š	õ	²
E	Ā	X	ł	ł	ł	š	õ	■
F	À	Ŗ	ł	ł	ł	š	õ	∩

**Code Page #3002
Estonian2**

Other characters are the same as those for Code Page #437.

	8	9	A	B	C	D	E	F
0					À	Š	à	š
1			ı	±	Ä	Ń	á	ñ
2			ç	²	Ä	Ò	â	ò
3			£	³	Ä	Ó	ã	ó
4			¤	´	Ä	Ô	ä	ô
5			¥	µ	Ä	Õ	å	õ
6			¦	¶	Ä	Ö	æ	ö
7			§	-	Ç	X	ç	÷
8			¨	,	E	Ø	è	ø
9			©	ı	E	Ù	é	ù
A			ª	Q	E	Ú	ê	ú
B			«	»	E	Û	ë	û
C			¼	½	I	Ü	ı	ü
D			¾	ı	I	Y	ı	ý
E			¸	ı	I	Z	ı	ž
F			˘	ı	I	ß	ı	ÿ

**Code Page #3011
Latvian1**

Other characters are the same as those for Code Page #437.

	8	9	A	B	C	D	E	F
0	Ç	É	á	⋮	Ł	Š	α	E
1	ü	æ	í	⋮	ł	Š	β	È
2	é	Æ	ó	⋮	ł	Š	Γ	G
3	â	ô	ú	⋮	ł	Š	π	k
4	ä	ö	ñ	⋮	ł	Š	Σ	K
5	à	ò	Ñ	A	ł	Š	σ	l
6	â	ô	Q	E	U	š	μ	L
7	ç	ù	Q	D	U	š	τ	ž
8	è	ÿ	ç	Q	Ł	š	Φ	Z
9	ë	ö	ł	ł	ł	š	Θ	·
A	è	Û	ł	ł	ł	š	Ω	-
B	ï	ø	ł	ł	ł	š	δ	√
C	î	£	ł	ł	ł	š	ø	N
D	ì	¥	ł	ł	ł	š	ø	S
E	Ā	Ŕ	ł	ł	ł	š	e	■
F	À	Ŗ	ł	ł	ł	š	∩	

**Code Page #3012
Latvian2**

Other characters are the same as those for Code Page #437.

	8	9	A	B	C	D	E	F
0	A	P	a	ā	Ļ	Š	ŗ	Ē
1	B	C	б	č	Ķ	ŗ	ē	Ģ
2	V	T	v	t	č	ŗ	Ģ	ķ
3	Г	У	г	у	с	у	к	к
4	Д	Ф	д	ф	Ķ	ŗ	Ķ	Ķ
5	Е	Х	е	х	Ķ	ŗ	Ķ	Ķ
6	Ж	Ц	ж	ц	Ķ	ŗ	Ķ	Ķ
7	Э	Ч	э	ч	Ķ	ŗ	Ķ	Ķ
8	И	Ш	и	ш	Ķ	ŗ	Ķ	Ķ
9	Й	Щ	й	щ	Ķ	ŗ	Ķ	Ķ
A	К	Ъ	к	ъ	Ķ	ŗ	Ķ	Ķ
B	Л	Ы	л	ы	Ķ	ŗ	Ķ	Ķ
C	М	Ь	м	ь	Ķ	ŗ	Ķ	Ķ
D	Н	Э	н	э	Ķ	ŗ	Ķ	Ķ
E	О	Ю	о	ю	Ķ	ŗ	Ķ	Ķ
F	П	Я	п	я	Ķ	ŗ	Ķ	Ķ

**Code Page #3021
Bulgarian**

Other characters are the same as those for Code Page #437.

	8	9	A	B	C	D	E	F
0	A	P	a	p	Ķ	ŗ	α	≡
1	B	C	б	с	Ķ	ŗ	β	±
2	V	T	v	t	Ķ	ŗ	Γ	≥
3	Г	У	г	у	Ķ	ŗ	π	≤
4	Д	Ф	д	ф	Ķ	ŗ	Σ	∫
5	Е	Х	е	х	Ķ	ŗ	σ	μ
6	Ж	Ц	ж	ц	Ķ	ŗ	§	+
7	Э	Ч	э	ч	Ķ	ŗ	τ	≈
8	И	Ш	и	ш	Ķ	ŗ	φ	•
9	Й	Щ	й	щ	Ķ	ŗ	θ	•
A	К	Ъ	к	ъ	Ķ	ŗ	Ω	-
B	Л	Ы	л	ы	Ķ	ŗ	δ	√
C	М	Ь	м	ь	Ķ	ŗ	ø	∩
D	Н	Э	н	э	Ķ	ŗ	∅	∩
E	О	Ю	о	ю	Ķ	ŗ	ε	∩
F	П	Я	п	я	Ķ	ŗ	∩	∩

**Code Page #3031
Hebrew**

Other characters are the same as those for Code Page #437.

	8	9	A	B	C	D	E	F
0	א	ב	א	ב	ל	מ	α	≡
1	ג	ד	ג	ד	ט	פ	β	±
2	ה	ו	ה	ו	ת	ק	Γ	≥
3	ז	ח	ז	ח	ש	ר	π	≤
4	ט	י	ט	י	כ	ל	Σ	∫
5	כ	ך	כ	ך	מ	נ	σ	μ
6	ל	ל	ל	ל	ס	ז	§	+
7	מ	מ	מ	מ	ע	פ	τ	≈
8	נ	ן	נ	ן	ק	צ	φ	•
9	ס	ס	ס	ס	ר	ת	θ	•
A	ע	ע	ע	ע	ש	ך	Ω	-
B	פ	פ	פ	פ	ת	ך	δ	√
C	ק	ק	ק	ק	מ	ך	ø	∩
D	ר	ר	ר	ר	ל	ך	∅	∩
E	ש	ש	ש	ש	ט	ך	ε	∩
F	ת	ת	ת	ת	פ	ך	∩	∩

**Code Page #3041
Maltese**

Other characters are the same as those for Code Page #437.

	0	1	2	3	4	5	6	7
0	<NUL>			0	@	P	ç	p
1		<DC1>	!	1	A	Q	a	q
2		<DC2>	"	2	B	R	b	r
3		<DC3>	#	3	C	S	c	s
4		<DC4>	\$	4	D	T	d	t
5		€	§	5	E	U	e	u
6		♣	&	6	F	V	f	v
7	<BEL>		'	7	G	W	g	w
8	<BS >	<CAN>	(8	H	X	h	x
9	<HT >)	9	I	Y	i	y
A	<LF>		*	:	J	Z	j	z
B	<VT >	<ESC>	+	;	K	g	k	G
C	<FF>		,	=	L	z	l	Z
D	<CR >		-	<	M	h	m	H
E	<SO >		.	>	N	ˆ	n	C
F	<SI >		/	?	O	_	o	Δ

Appendix E: Printer Control Codes

This appendix lists the printer's control commands. It gives the name of each control command, along with the applicable emulation mode (Standard, IBM, or Both), and the applicable ASCII code.

Font and Character Set Control Commands

Description	Mode	ASCII Code
Select italic	STD	ESC 4
Cancel italic	STD	ESC 5
Select Character Set #2	Both	ESC 6
Select Character Set #1	Both	ESC 7
Select Draft resident font	IBM	ESC I00H
Select 12 CPI Draft resident font	IBM	ESC I01H
Select NLQ resident font	IBM	ESC I02H
Select Draft resident font	IBM	ESC I03H
Select Draft download font	IBM	ESC I04H
Select 12 CPI Draft download font	IBM	ESC I05H
Select Draft double-strike download font	IBM	ESC I06H
Select NLQ download font	IBM	ESC I07H
Select NLQ italic resident font	IBM	ESC I0BH
Select NLQ italic download font	IBM	ESC I0FH
Select international character set	STD	ESC Rn
Set Code Page	Both	ESC [T
Print characters from all character chart	IBM	ESC \n1 n2
Print one character from all character chart	IBM	ESC ^n
Select type face	STD	ESC kn
Assign character table	STD	ESC (t
Select character table	STD	ESC tn
Select /cancel NLQ print mode	STD	ESC xn

Print Pitch Control Commands

Description	Mode	ASCII Code
Select condensed print	Both	SI
Same as SI	STD	ESC SI
Select one line expanded print	Both	SO
Same as SO	STD	ESC SO
Cancel condensed print	STD	DC2
Set print pitch to pica	IBM	DC2
Cancel one-line expanded print	Both	DC4
Set print pitch to elite	IBM	ESC :
Set print pitch to elite	STD	ESC M
Set print pitch to pica	STD	ESC P
Cancel proportional print	IBM	ESC P00H
Select proportional print	IBM	ESC P01H
Cancel expanded print	Both	ESC W0
Select expanded print	Both	ESC W1
Cancel proportional print	STD	ESC p0
Select proportional print	STD	ESC p1

Top/Bottom Margin and Vertical Tab Commands

Description	Mode	ASCII Code
Advance paper to next vertical tab position	Both	VT
Select VFU channels	STD	ESC /n
Set vertical tab positions	Both	ESC Bn...NULL
Set bottom margin	Both	ESC Nn
Cancel bottom margin	Both	ESC O
Set all tabs to power on defaults	IBM	ESC R
Set VFU in a channel	STD	ESC b/m...NULL

Special Print Mode Commands

Description	Mode	ASCII Code
Set master print mode	STD	ESC !
Cancel underlining	Both	ESC - 0
Select underlining	Both	ESC - 1
Select emphasized print	Both	ESC E
Cancel emphasized print	Both	ESC F
Select double-strike print	Both	ESC G
Cancel double-strike print	Both	ESC H
Select superscripts	Both	ESC S 0
Select subscripts	Both	ESC S 1
Cancel super/subscripts	Both	ESC T
Cancel upperlining	IBM	ESC _ 0
Select upperlining	IBM	ESC _ 1

Bit Image Graphic Commands

Description	Mode	ASCII Code
Select bit image mode	STD	ESC * _m <i>n1 n2</i>
Redefine bit image mode	STD	ESC ? <i>n1 n2</i>
8-pin single-density bit image	Both	ESC K <i>n1 n2</i>
8-pin double-density bit image	Both	ESC L <i>n1 n2</i>
8-pin double-density bit image, double-speed	Both	ESC Y <i>n1 n2</i>
8-pin quadruple density bit image	Both	ESC Z <i>n1 n2</i>
9-pin bit image mode	STD	ESC ^ <i>n0 n1 n2</i>

Form Feed and Related Commands

Description	Mode	ASCII Code
Advance paper to top of next page (form feed)	Both	FF
Return to top line of current page	STD	ESC FF
Set top of form to current position	IBM	ESC 4
Set page length to <i>n</i> inches	Both	ESC C 00H <i>n</i>
Set page length to <i>n</i> lines	Both	ESC C <i>n</i>

Line Spacing Commands

Description	Mode	ASCII Code
Advance paper one line (line feed)	Both	LF
Reverse paper one line	STD	ESC LF
Set line spacing to 1/8"	Both	ESC 0
Set line spacing to 7/72"	IBM	ESC 1
Set line spacing to 1/6"	STD	ESC 2
Execute ESC A	IBM	ESC 2
Set line spacing to $n/216''$	Both	ESC 3 n
Set line spacing to $n/72''$	STD	ESC A n
Define line spacing to $n/72''$	IBM	ESC A n
One time feed of $n/216''$	Both	ESC J n
Reverse line feed	IBM	ESC]
One time reverse feed of $n/216''$	STD	ESC j n

Download Character Commands

Description	Mode	ASCII Code
Cancel download character set	STD	ESC %0
Select download character set	STD	ESC %1
Define download characters in RAM	STD	ESC &00H
Copy standard ROM font into RAM	STD	ESC :00H n 00H
Define download characters in RAM	IBM	ESC =

Horizontal Print Position Control Commands

Description	Mode	ASCII Code
Move print head to next horizontal tab position	Both	HT
Return print head to left margin (carriage return)	Both	CR
Move print head to absolute horizontal position	STD	ESC \$ $n1$ $n2$
Add n dot spaces between characters	STD	ESC SP n
Cancel automatic line feed	IBM	ESC 5 00H
Select automatic line feed	IBM	ESC 5 01H
Set horizontal tab positions	Both	ESC D n ...NULL
Set right margin	STD	ESC Q n
Set left and right margins	IBM	ESC x $n1$ $n2$

Horizontal Print Position Control Commands (Continued)

Description	Mode	ASCII Code
Move print head to specified horizontal position	STD	ESC \ <i>n1 n2</i>
Justification	STD	ESC <i>a n</i>
Set left margin	STD	ESC <i>l n</i>

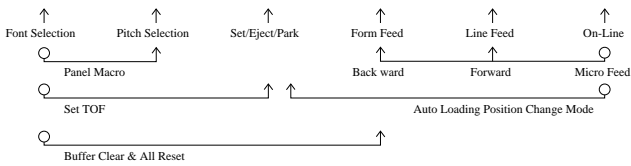
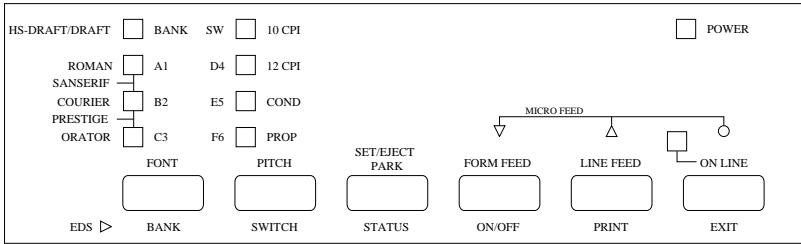
Other Commands

Description	Mode	ASCII Code
Sound printer bell	Both	BEL
Move printer head back one space (backspace)	Both	BS
Set printer on line	Both	DC1
Set printer off line	STD	DC3
Cancel line in print buffer	Both	CAN
Delete last character sent	STD	DEL
ASF control	STD	ESC <i>EMn</i>
Cancel MSB control	STD	ESC #
One-line uni-directional printing	STD	ESC <
Set MSB to logical 0	STD	ESC =
Set MSB to logical 1	STD	ESC >
Disable paper out detect	STD	ESC 8
Enable paper out detect	STD	ESC 9
Initialize printer	STD	ESC @
Deselect printer	IBM	ESC Q03H
Cancel uni-directional printing	Both	ESC U0
Select uni-directional printing	Both	ESC U1
Select double or quadruple size	STD	ESC <i>h n</i>
Stop printing	IBM	ESC j
Control character height, width, line spacing	IBM	ESC [@
Set initial condition	IBM	ESC [K
Cancel double-high mode	STD	ESC w0
Select double-high mode	STD	ESC w1

Appendix F: Glossary

adjustment lever	Controls the darkness of the printing by adjusting for the thickness of the paper you are printing on.
Centronics cable	Parallel cable normally used to connect the printer to the computer.
control code	A numeric code that instructs the printer to perform an operation. For example, the computer sends the printer a form feed control code (12) to tell it to eject the current page.
Electronic DIP Switch settings	Printer settings that take effect when you switch on the printer. You can change these settings using the control panel.
emulation	Ability of one printer to act like (emulate) another type of printer.
hexadecimal dump	Printout of all character codes and control codes as they are received by the printer, along with their hexadecimal values.
multi-part forms	Forms that consist of more than one sheet. This printer can print on forms that have up to five sheets.
NLQ font	Near letter-quality font.
off-line	Printer mode in which the printer will not accept data or continue printing.
on-line	Printer mode in which the printer is ready to print.
paper parking	Moving fanfold paper into a position that allows printing of cut-sheets without removing the fanfold paper from the printer.
print head	The component of the printer that transfers the image to the paper.
Quiet Mode	Mode that reduces printing noise. Also reduces printing speed.
release lever	Releases the paper. This lever must be in the cut-sheet position for cut-sheet paper and in the fanfold position for fanfold paper.
serial-to-parallel interface converter	Option that makes it possible to connect the printer to a computer via a serial interface instead of the standard Centronics parallel interface.
tear-off function	Function that moves fanfold paper to a position where it can be torn off.
tractors	Mechanisms that control the movement of fanfold paper.

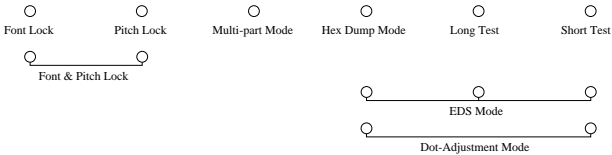
Appendix G: Control Panel Operation Guide



OFF-LINE



ON-LINE



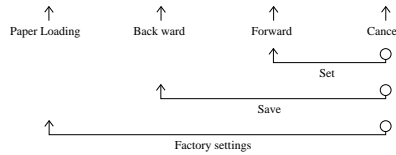
POWER-ON



EDS MODE



DOT-ADJUSTMENT MODE



AUTO LOADING POSITION CHANGE MODE

Note:

A dot means press and hold and an arrow means to just press. A dot and arrow tied together means hold one while pressing the other.

A

application printer selection
checking 79

ASF 66

Auto LF
selecting 32

auto load position
changing 25

Auto Tear-off
selecting 32

AUTOEXEC.BAT 80

automatic sheet feeder 31, 66

B

bidirectional printing 32

C

carton contents 2

character pitch
setting 22

Character Set

IBM #1 86

IBM #2 86

IBM Special 87

international 85

standard italic 85

tables 85

Character Table

selecting 31

Code Page 36

Arabic 91

Brazil-ABICOMP 90

Brazil-ABNT 90

Bulgarian 94

Canadian French 88

CS2 89

Estonian 1 93

Estonian 2 93

Gost-Russian 89

Greek 91, 92

Hebrew 94

Hungarian 89

IBM-Russian 89

Icelandic 87

Latin-2 87

Latvian 1 93

Latvian 2 94

Lithuanian #772 92

Lithuanian #774 93

Lithuanian-KBL 92

Maltese 94

Multi-lingual 87, 91

Nordic 88

Polish 89

Portuguese 87

Russian 88

selecting 34

Turkish 90

configuration file 44

connecting

to a power outlet 11

to your computer 18

control panel

printer 20

control panel settings

saving 26

CR centering

setting 34

cut-sheet paper

ejecting 23

manual feeding 64

specifications 62

D

default printer selection

checking 79

dot alignment

adjusting 72

download buffer 31

Drive Setup
checking 79

E

EDS Mode

- auto LF with CR 32
- auto tear-off 32
- automatic sheet feeder 31
- character set 34
- character table 31
- code page 34
- CR centering 34
- default settings 28
- emulation 31
- entering 28
- exiting 30
- graphics direction 32
- line spacing 32
- Multi-Part Mode 32
- NLQ font 39
- page length 34
- paper out detector 31
- print mode 33
- print pitch 33
- printing switch settings 30
- Quiet Print Mode 33
- RAM usage 31
- selecting a bank 29
- selecting a switch 29
- settings 31
- switch settings 29
- using 28
- zero style 32

eject 23

Electronic DIP Switches 28

emulation 31

F

fanfold paper

- form feed 23
- parking 17, 23
- printing on 16
- specifications 62

- tear-off function 18, 24
- unparking 17

font

- selecting 21

Font Lock Mode

- entering 21

form feed 23

front cover
opening 4

G

glossary 100

graphics direction
selecting 32

H

hexadecimal dump 71

I

initialization 27

input buffer 31

interface pin outs
optional serial interface 84
parallel interface 84

international character set
selecting 34

L

labels
specifications 63

line feed 23

line spacing
setting 32

M

macro
saving 26

manual sheet feeding 64

micro feed 23

MS-DOS

- setting up for printing 61

Multi-part Mode

- entering 27

N

NLQ font
selecting 39

O

off-line
switching to 20

ON-LINE
indicator 20

on-line
switching to 20

options 66
automatic sheet feeder 66
pull tractor unit 67
serial interface unit 67
serial-to-parallel converter 69

OS/2 Warp
getting ready to print 60
printing 60
setting up for 59

P

page length
setting 34

paper
automatic feeding 64
fanfold 16
handling 62
loading 12
micro feed 23
recommended print area 16
setting top of form 24
thickness adjustment 63

paper eject 23

paper guide
installing 9
standing up 10

paper jams 65

paper out detector 31

paper type
selecting 62

parallel cable 18

Pitch Lock Mode
entering 22

platen knob
installing 6

port
checking 80
parallel 19

print mode
selecting 33

print pitch
selecting 33

printer buffer
clearing 26

printer port
changing 44

printing
in Windows 49
problem 73

problems
causes and solutions 73
dark printing 75
erratic operation 78
excessive noise 76
hot printer case 76
incorrect characters 77
left margin movement 77
line spacing 74
malformed graphics 75
no printing 73
overprinting lines 74
paper feed 74
power supply 73
print quality 75
printing past paper edge 76
smudged forms 75
sudden stoppage 78
wrong number of lines 75

pull tractor unit 67

Q

- Quiet Print Mode 24
 - selecting 33

R

- ribbon cassette
 - installing 6
 - removing 8
 - taking up slack in 7

S

- serial interface unit 67
- serial-to-parallel converter 69
- setup
 - printer 1
- specifications
 - cut-sheet paper 62
 - fanfold paper 62
 - labels 63
 - printer 81
 - serial interface unit 68
 - serial-to-parallel converter 69
- system software settings
 - MS-DOS 80
 - Windows 79

T

- tear-off function 18, 24
- test
 - long 71
 - short 70
- test print 70
- top of form
 - setting 24
- troubleshooting 70
 - guide 73
- TrueType fonts
 - installing 50

U

- unidirectional printing 32
- unpacking 2, 4

User Setup Utility

- Adjust window 42
- adjusting dot alignment 43
- default settings 45
- exiting 45
- Font window 42
- General window 42
- Help menu 45
- importing setup data 45
- installing 40
- Paper window 42
- printer port 44
- saving configuration file 44
- starting 41

V

- voltage 2, 11

W

- Windows 3.1
 - default printer 48
 - getting ready to print 48
 - selecting fonts 51
 - setting up for 46
- Windows 95
 - installing fonts 58
 - Preparing to print 55
 - setting up 52

Z

- zero style
 - selecting 32

Customer service information

If you experience any technical difficulties with your Star printer, please refer to Appendix A How to deal with printing problems. This chapter describes easy methods to diagnose and resolve some of the problems that you may encounter.

For further technical support, you should first contact your Authorized Star Dealer. If you require additional support, Star Micronics offers a wide variety of technical support services. Please use one of the telephone numbers listed below, depending on the country in which your Star printer was purchased.

Star Micronics Technical Hotline:

North America:	1-908-572-3300
United Kingdom:	44-1277-232036
Hong Kong:	852-2795-2335
Australia:	61-2-748-4300
New Zealand:	64-9-570-1470

Star Micronics FaxBack (Document Retrieval) System:

Requires access to a facsimile machine or board with receive capability

North America:	1-908-572-4004
----------------	----------------

Star Micronics Bulletin Board Service:

Requires a computer modem

North America:	1-908-572-5010
United Kingdom:	44-1494-461395
France:	33-1-305807
Germany:	49-69-780929
Netherlands:	31-73-424485
Australia and New Zealand:	61-2-748-2960

Customer response

Star Micronics Co., Ltd. invites your suggestions and comments on your printer and this manual. Please address your correspondence to Attn: Product Manager

Worldwide Headquarters

STAR MICRONICS CO., LTD.
536 Nanatsushinya, Shimizu,
Shizuoka, 424, Japan

North and South America Markets

STAR MICRONICS AMERICA, INC.
70- D Ethel Road West
Piscataway, NJ 08854-5950

European Market

STAR MICRONICS DEUTSCHLAND
GMBH
Westerbachstraße 59
D-60489 Frankfurt
F.R. of Germany

U.K. Market

STAR MICRONICS U.K. LTD.
Star House
Peregrine Business Park
Gomm Road, High Wycombe
Bucks. HP13 7DL, U.K.

Australian Market

STAR MICRONICS PTY. LTD.
Unit A/107-115 Asquith Street,
Silverwater, NSW 2141
Australia

New Zealand Market

STAR MICRONICS (N.Z.) LTD.
64 Lunn Ave. Mount Wellington
P.O. Box 6255, Wellesley St.,
Auckland, New Zealand.

Asian Market

STAR MICRONICS ASIA LTD.
18/F Tower 2, Enterprise Square
9 Sheung Yuet Road, Kowloon Bay, HONG
KONG

Free Manuals Download Website

<http://myh66.com>

<http://usermanuals.us>

<http://www.somanuals.com>

<http://www.4manuals.cc>

<http://www.manual-lib.com>

<http://www.404manual.com>

<http://www.luxmanual.com>

<http://aubethermostatmanual.com>

Golf course search by state

<http://golfingnear.com>

Email search by domain

<http://emailbydomain.com>

Auto manuals search

<http://auto.somanuals.com>

TV manuals search

<http://tv.somanuals.com>