



USERS MANUAL

LC-90 NX-1010

DOT MATRIX PRINTER

Federal Communications Commission Radio Frequency Interference Statement

The 120V version equipment has been tested and found to comply with the limits for a Class B digital device, pursuant to Part 15 of FCC Rules. These limits are designed to provide reasonable protection against harmful interference in a residential installation. This equipment generates, uses and can radiate radio frequency energy and, if not installed and used in accordance with the instructions, may cause harmful interference to radio communications. However, there is no guarantee that interference will not occur in a particular installation. If this equipment does cause harmful interference to radio or television, which can be determined by turning off and on, the user is encouraged to try to correct the interference by one or more of the following measures.

- Reorient or relocate the receiving antenna.
- Increase the separation between the equipment and receiver.
- Connect the equipment into an outlet on a circuit different from that to which the receiver is connected.
- Consult the dealer or an experienced radio/TV technician for help.

Unauthorized modifications of this product by the user will void his authority to operate the equipment unless expressly approved by the party responsible for compliance.

For compliance with the Federal Noise Interference Standard, this equipment requires a shielded cable.

The 220V version equipment has been tested and found to comply with the limits for a Class A digital device, pursuant to Part 15 of the FCC Rules. These limits are designed to provide reasonable protection against harmful interference when the equipment is operated in a commercial environment. This equipment generates, uses, and can radiate radio frequency energy and, if not installed and used in accordance with the instruction manual, may cause harmful interference to radio communications.

Operation of this equipment in a residential area is likely to cause harmful interference in which case the user will be required to correct the interference at his own expense.

For compliance with the Federal Noise Interference Standard, this equipment requires a shielded cable.

The above statement applies only to printers marketed in the U.S.A.

Statement of The Canadian Department of Communications Radio Interference Regulations

This digital apparatus does not exceed the Class B limits for radio noise emissions from digital apparatus set out in the Radio Interference Regulations of the Canadian Department of Communications.

Le présent appareil numérique n'émet pas de bruits radioélectriques dépassant les limites applicables aux appareils numériques de la classe B prescrites dans le Règlement sur le brouillage radioélectrique édicté par le Ministère des Communications du Canada.

The above statement applies only to printers marketed in Canada.

VDE Statement

This device carries the VDE RFI protection mark to certify that it meets the radio interference requirements of the Postal Ordinance No. 243/1991. The additional marking "Vfg. 243/P" expresses in short form that this is a peripheral device (not operable alone) which only individually meets the Class B RFI requirements in accordance with the DIN VDE 0878 part 3/11.89 and the Postal Ordinance 243/1991.

If this device is operated in conjunction with other devices within a set-up, in order to take advantage of a "General (Operating) Authorization" in accordance with the Postal Ordinance 243/1991, the complete set-up must comply with the Class B limits in accordance with the DIN VDE 0878 part 3/11.89, as well as satisfy the preconditions in accordance with §2 and the prerequisites in accordance with §3 of the Postal Ordinance 243/1991.

As a rule, this is only fulfilled when the device is operated in a set-up which has been type-tested and provided with a VDE RFI protection mark with the additional marking "Vfg 243".

Machine Noise Information Ordinance 3. GSGV, January 18, 1991: The sound pressure level at the operator position is equal or less than 70 dB(A) according to ISO 7779.

The above statement applies only to printers marketed in Germany.

Trademark acknowledgments

LC-10, LC-90, LC-100, NX-1000, NX-1010, NX-1040, PT-10Y, SPC-8K: Star Micronics Co. Ltd.

EX-800, FX-850, LX-810, LX-850: Seiko Epson Corporation

IBM PC, IBM Proprinter, IBM Proprinter II, IBM Proprinter III:
International Business Machines Corporation.

TrueType: Apple Computer Inc.

MS-DOS, Microsoft Windows, Windows 3.1: Microsoft Corporation

Notice

- All rights reserved. Reproduction of any part of this manual in any form whatsoever, without STAR's express permission, is strictly forbidden.
- The contents of this manual are subject to change without notice.
- All efforts have been made to ensure the accuracy of the contents of this manual at the time of printing. However, should any errors be found, STAR would greatly appreciate being informed of them.
- The above notwithstanding, STAR can assume no responsibility for any errors in this manual.

© Copyright 1994 Star Micronics Co., Ltd.

About this manual

This manual describes how to set up, use, and care for the Star LC-90 and NX-1010 monochrome printers. All of the operations contained in this manual apply to all of these models, except where specifically noted otherwise.

The following is a list of what you can expect to find in each chapter.

- Chapter 1** Choosing a place for your printer, unpacking and setup, ribbon cassette installation, loading paper, connecting to your printer
- Chapter 2** Installing and starting up, and using User Setup Utility
- Chapter 3** How to set up for printing with Microsoft Windows 3.1, how to prepare for printing, how to print a document, how to install TrueType fonts, how to select fonts from within an application
- Chapter 4** How to use the control panel
- Chapter 5** Selecting the best type of paper, adjusting for paper thickness, manual sheet feeding, clearing paper jams
- Chapter 6** How to set up for printing with MS-DOS, how to select fonts from within an application
- Chapter 7** How to pause printing, paper feed operations, form feeding
- Appendix A** How to deal with printing problems
- Appendix B** Specifications
- Appendix C** Interface information
- Appendix D** Character sets
- Appendix E** Printer control codes
- Appendix F** Glossary

Contents

Chapter 1: Printer Setup . . . 1

- Choosing a place for the printer . . . 1
- Unpacking the printer . . . 2
- General guide . . . 3
- Opening the front cover . . . 4
- Installing the ribbon cartridge . . . 5
- Installing the paper support . . . 6
- Connecting to your computer . . . 7
- Connecting to a power outlet . . . 9
- Loading paper . . . 9
- Detaching the automatic sheet feeder . . . 12
- Re-installing the automatic sheet feeder . . . 14

Chapter 2: User Setup Utility . . . 15

- Installing the User Setup Utility . . . 15
- Starting up the User Setup Utility . . . 17
- Changing User Setup Utility parameter settings . . . 18
 - To select a window . . . 18
 - To select a parameter box . . . 18
 - About parameter boxes . . . 18
 - To change a parameter setting . . . 19
- Using the General window . . . 19
- Using the Font window . . . 22
- Using the Paper window . . . 24
- Adjusting the printer's vertical alignment . . . 26
- Changing the printer port . . . 27
- Saving setup data as a new configuration file . . . 28
- Saving changed setup data in the current configuration file . . . 28
- Importing setup data from a configuration file . . . 29
- Returning to default settings . . . 29
- Exiting the User Setup Utility . . . 30
- Using the Help window . . . 30

Chapter 3: Using the Printer with Windows 3.1 . . . 31

- Setting up for printing with Microsoft Windows 3.1 . . . 31
- Getting ready to print . . . 33
- Printing a document . . . 34
- Installing TrueType fonts . . . 36
- Selecting fonts in Windows applications . . . 36

Chapter 4: Control Panel Operations . . . 37

- To enter the Sleep Mode . . . 37
- To restore full power from the Sleep Mode . . . 37
- To switch between the Ready and Not-Ready Modes . . . 38
- To feed single-sheet paper into the printer . . . 38
- To eject single-sheet paper from the printer . . . 38
- To advance paper . . . 38
- Errors . . . 38

Chapter 5: Paper Handling . . . 39

- Selecting paper types . . . 39
- Adjusting for paper thickness . . . 40
- Automatic sheet feeding . . . 41
- Manual sheet feeding . . . 41
- Clearing paper jams . . . 41

Chapter 6: Using the Printer with MS-DOS . . . 43

- Setting up for printing with MS-DOS . . . 43
- Selecting fonts in MS-DOS applications . . . 44

Chapter 7: Other Printing Features . . . 45

- How to pause printing . . . 45
- Line feed . . . 45
- Form feed . . . 45

Chapter A: Troubleshooting . . . 46

- Testing the printer . . . 46
- Troubleshooting guide . . . 49
- Checking system software settings in Windows . . . 55
- Checking system software settings in MS-DOS . . . 56
- Checking the port settings in the User Setup Utility . . . 56

Chapter B: Specifications . . . 57

Chapter C: Interface Pin Outs . . . 59

Chapter D: Character Sets . . . 60

Chapter E: Printer Control Codes . . . 66

Chapter F: Glossary . . . 72

Chapter 1: Printer Setup

This chapter contains important information on setting up your printer. Be sure to read this chapter carefully before using the printer for the first time. In this chapter you will learn about:

- Choosing a place for the printer
- Unpacking and setting up the printer
- Installing the ribbon cassette
- Loading paper
- Connecting to your computer

Choosing a place for the printer

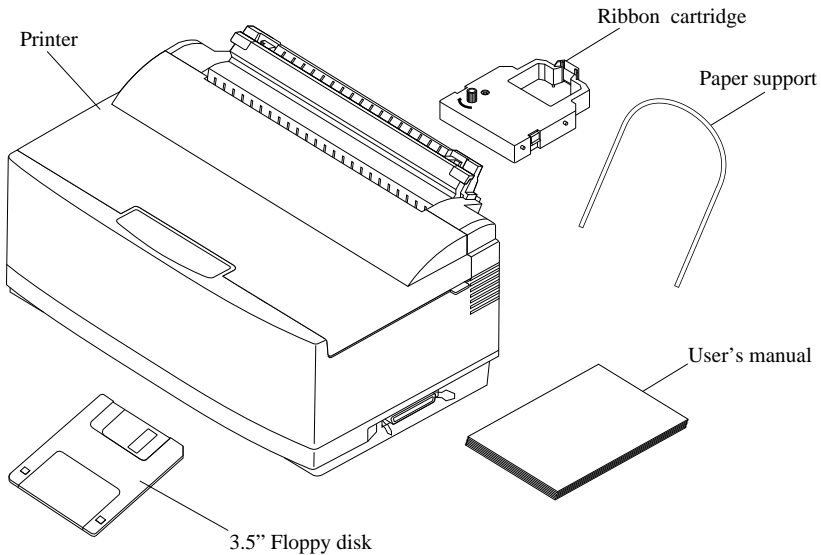
Before actually unpacking the printer, you should take a few minutes to think about where you plan to use it. Remember the following points when doing this.

- ✓ Choose a firm, level surface where the printer will not be exposed to vibration.
- ✓ The power outlet you plan to connect to for power should be nearby and unobstructed.
- ✓ Make sure that the printer is close enough to your computer for you to connect the two with your printer cable.
- ✓ Allow six inches (15 centimeters) of free space on either side of the printer. If you are going to use fanfold paper, make sure that there is adequate space for paper behind the printer.
- ✓ Make sure that the printer is not exposed to direct sunlight.
- ✓ Make sure that the printer is well away from heaters.
- ✓ Make sure that the surrounding area is clean, dry, and free of dust.
- ✓ Make sure that the printer is connected to a reliable power outlet. It should not be on the same electric circuit as copiers, refrigerators, or other appliances that cause power spikes.
- ✓ Use a power outlet that matches the power rating noted on the label affixed to the bottom of your printer.
- ✓ Make sure that the room where you are using the printer is not too humid.

2 Printer Setup

Unpacking the printer

Check to make sure that the carton contains each of the items shown in the following illustration.



If anything is missing, contact the store where you bought the printer and ask them to supply the missing part.

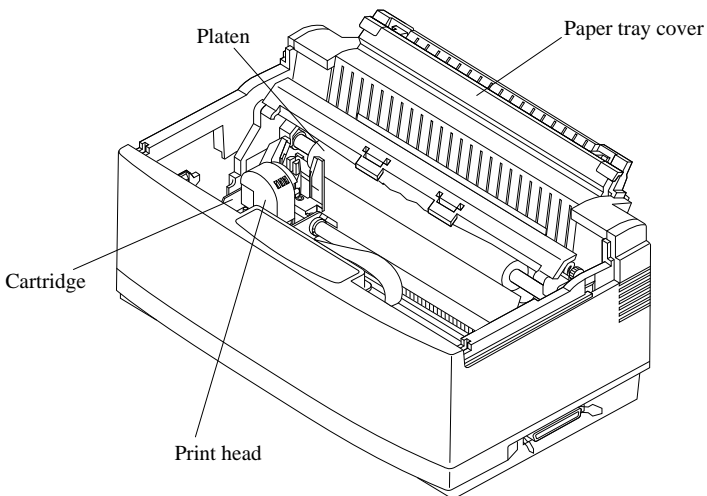
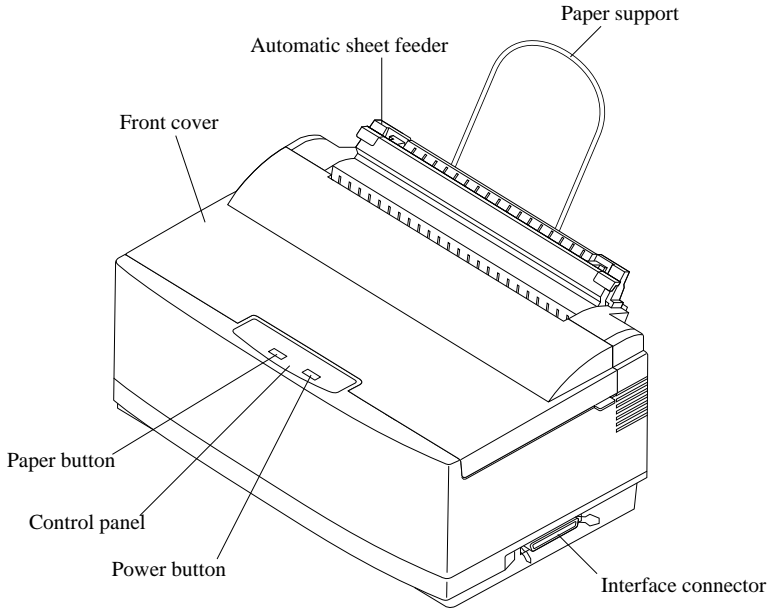
A push tractor unit (PT-10Y) and a Serial-To-Parallel Interface Converter (SPC-8K) are also available as options. Consult with your dealer for details on these options.

Note:

It is a good idea to keep the original box and all the packing materials just in case you later need to pack the printer up again and send it somewhere at a later date.

General guide

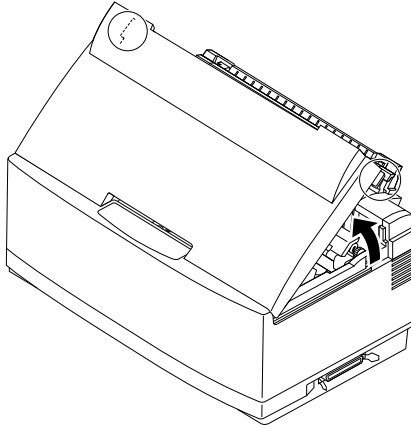
The following illustrations show the major component parts of the your printer. For a description of what each part does, see the Glossary on page 72 of this manual.



4 Printer Setup

Opening the front cover

- Hook your fingers under the two small tabs on either side of the front cover and pull upwards to swing the front cover open.



Note:

You can completely remove the front cover from the printer. However, we recommend that you normally leave it in place. The cover protects against objects getting into the printer, and it cuts down on printer noise.

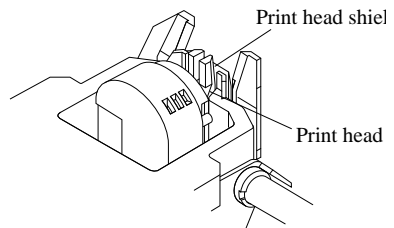
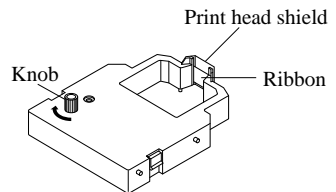
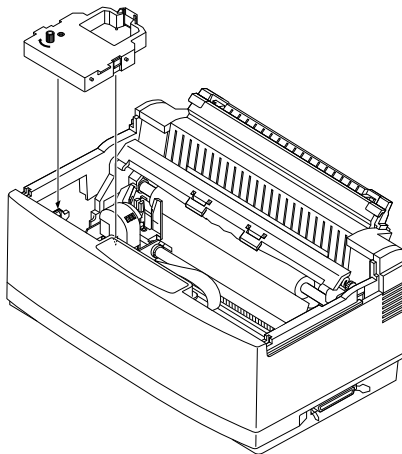
Installing the ribbon cartridge

- Rotate the knob on the cartridge clockwise to take up any slack in the ribbon.
- Carefully push the cartridge holder by hand all the way to the left side as far as it will go.

Important!

Never try to move the print head while the printer is plugged in. Doing so can damage the printer. If you have just used the printer, let the print head cool for a few minutes before you touch it.

- Carefully place the cartridge onto the cartridge holder making sure that the spindle of the holder fits into the socket on the bottom of the cartridge.



- Press down gently but firmly on the cartridge to make sure that it is securely in place. The cartridge should move slightly (about 1/10" or 2.5mm) when you press down on it.
- Rotate the knob on the cartridge again to take up any slack.

6 *Printer Setup*

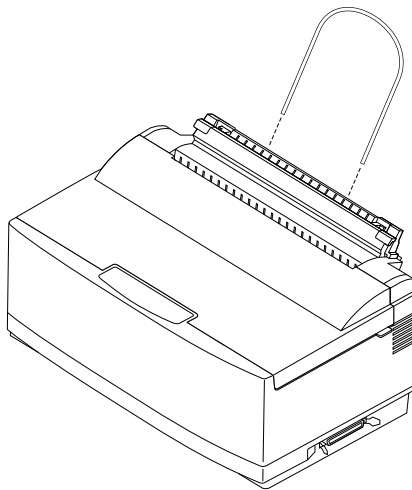
Important!

Be sure to double check that the ribbon is properly positioned between the print head and print head shield. If it isn't, you may get poor print quality or even end up damaging the ribbon.

- Replace the front cover of the printer. Press down on the raised parts at the back of the cover until it snaps securely shut.

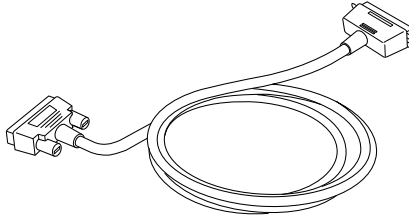
Installing the paper support

- Insert the ends of the paper support into the slots on the printer as shown in the following illustration.



Connecting to your computer

The computer sends data to the printer through a cable. This printer does not come with a cable, so you must purchase one of your own. You will probably want to use a standard parallel cable for connection, but note that you can also use an optional Serial-To-Parallel Interface Converter (SPC-8K).



Important!

The following instructions apply to the Centronics parallel cable that is used with an IBM-compatible personal computer. Note that they do not apply to all types of computers and cables. If you are unsure about what type of cable you should use to connect with your computer, consult with your dealer.

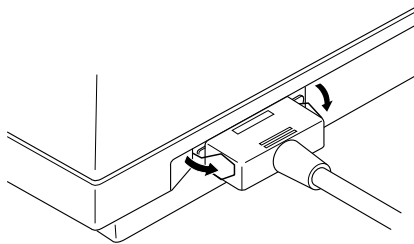
For an IBM-compatible personal computer:

- ✓ Use a standard 36-pin Centronics parallel cable.
- ✓ The parallel cable should be no longer than six feet (two meters). Longer cables can result in poor transfer of information.

Important!

Make sure that the printer is unplugged from the AC outlet and that the computer is switched off before connecting them.

- Plug one end of the parallel cable into the parallel port of your computer. The parallel port should be labelled “Printer,” “Parallel,” “PRN,” “LPT1,” or something similar.
- Plug the other end of the parallel cable into the socket on the side of the printer and secure it in place with the clips.



Note:

Consult with your dealer for details on how to set up your computer when using the optional SPC-8K Serial-To-Parallel Interface Converter.

Connecting to a power outlet

- ❑ Plug the power cord of the printer into a standard power outlet whose voltage matches the power rating noted on the label affixed to the bottom of your printer.

Note that the printer does not have a power switch to turn power on and off. Instead, its Sleep Mode automatically reduces power consumption whenever you leave the printer unattended. For full details about the Sleep Mode, see “Sleep” on page 21 of this manual.

Important!

We recommend that you unplug the printer from the power outlet whenever you do not plan to use it for long periods. Because of this, you should locate the printer so that the power outlet it is plugged into is nearby and easy to access.

The following is the above important notice translated into French.

Important!

Nous vous recommandons de débrancher le cordon d'alimentation de l'imprimante quand vous ne vous en servez pas pendant une longue période. Grâce à ça, vous pourrez facilement localiser votre cordon par la suite et le raccorder plus rapidement sur une prise plus facile d'accès.

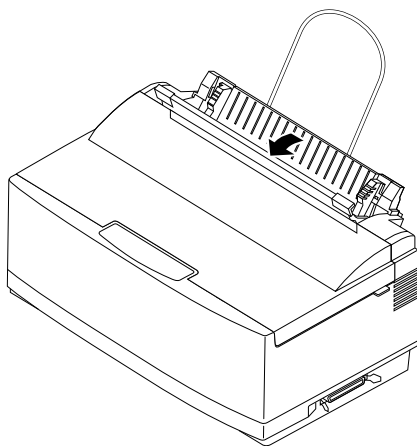
Loading paper

This section tells you how to load single-sheet A4 or Letter paper into the printer's built-in automatic sheet feeder. Note that you can also use fanfold paper and multi-page form paper. For details on using other types of paper, see “Paper Handling” on page 39 of this manual.

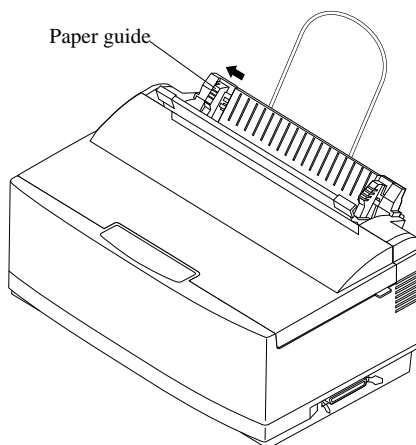
Important!

The automatic sheet feeder is designed to easily detach from the printer when clearing paper jams or when installing the optional push tractor feeder. If the automatic sheet feeder accidentally becomes detached, see “Re-installing the automatic sheet feeder” on page 14 for details on how to re-install it correctly.

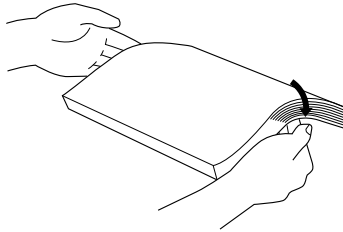
- Pull the paper tray cover of the automatic sheet feeder forward.



- Slide the left-hand paper guide all the way to the left.



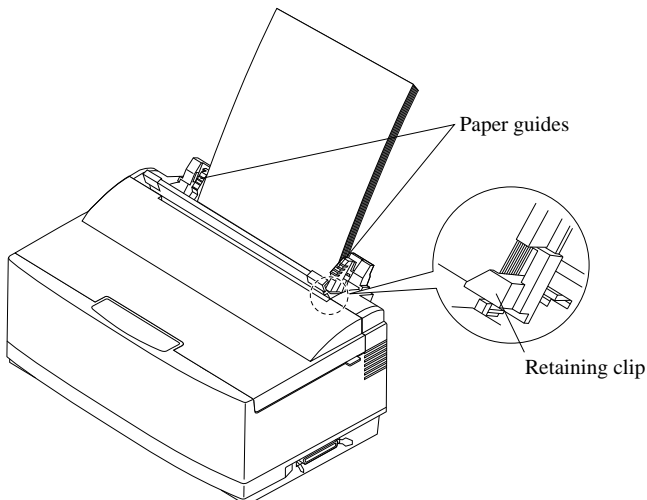
- ❑ Pick up the stack of paper with both hands, and fan through the paper with your thumb. This prevents paper from sticking together when it is fed by the automatic feeder.



Note:

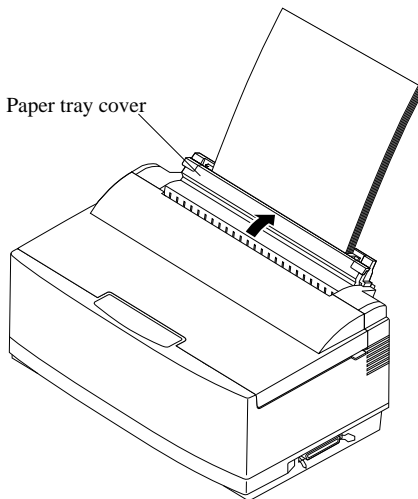
The automatic sheet feeder can hold about 55 sheets of paper at one time.

- ❑ Make sure that all four edges of the stack are smooth and even. Tap the edges on the top of a table or a desk to even them out.
- ❑ Carefully place the paper into the paper tray against the right-hand stationary paper guide. Make sure that the left and right edges of the paper stack are under the retaining clips inside the tray.



12 *Printer Setup*

- Slide the left-hand paper guide to the right so that the stack of paper now sits snugly between the two guides. The paper should be able to slide freely into the printer, but it should not be able to move from side to side.
- Push the paper tray cover of the automatic sheet feeder closed.



Detaching the automatic sheet feeder

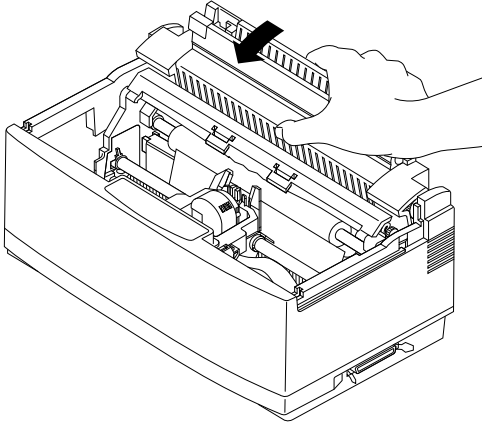
The following procedure describes how to detach the automatic sheet feeder (to clear a paper jam or to attach the optional push tractor unit) and how to reinstall it. Be sure to follow the following instructions carefully to ensure proper operation of the printer.

Important!

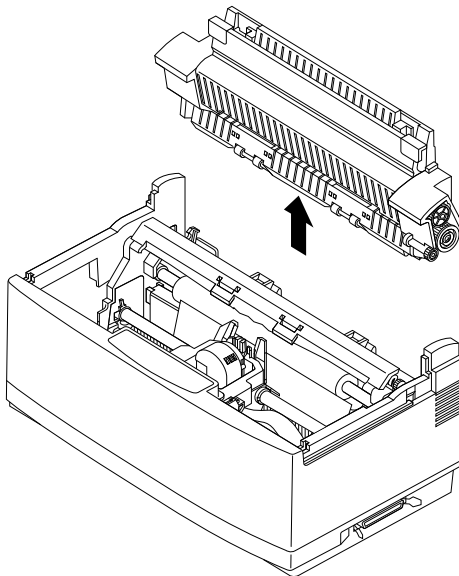
Always handle the automatic sheet feeder carefully, and put it somewhere safe whenever it is detached from the printer.

- Open the front cover of the printer.

- ❑ Grasp the automatic sheet feeder and pull it gently towards the front of the printer until it stops.

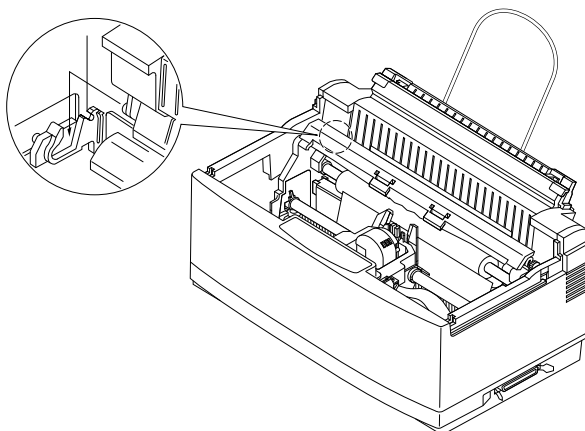


- ❑ Lift the automatic sheet feeder straight up.

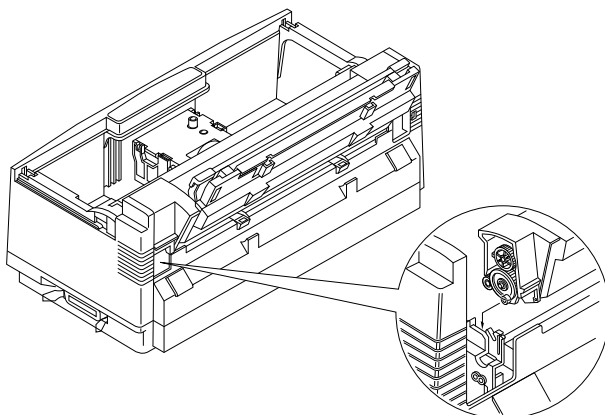


Re-installing the automatic sheet feeder

- Open the front cover of the printer.
- Carefully lower the automatic sheet feeder into the printer, making sure that the two round tabs on either end of it enter into the corresponding slots inside the printer. You should have the automatic sheet feeder angled towards the front of the printer (at about the same angle that it was when you pulled the feeder forward while detaching it).
- You should have the automatic sheet feeder angled towards the front of the printer (at about the same angle that it was when you pulled the feeder forward while detaching it).



- Lower the automatic feeder all the way down. When you do, it should naturally slip into place, with the part that holds the paper angled slightly towards the back of the printer.



- Close the front cover of the printer.

Chapter 2: User Setup Utility

In addition to the Windows 3.1 driver, the 3.5" floppy disk that comes with this printer also contains a User Setup Utility that gives you total control over a variety of printing features and functions. In this chapter you will learn about:

- Installing the User Setup Utility
- Starting up the User Setup Utility
- Editing setup data
- Saving and loading setup data
- Exiting the User Setup Utility and sending the settings to the printer

Important!

All the procedures in this chapter assume that you are using a mouse and that you are familiar with common mouse operations like click and double-click. If you need information on mouse operations, see your computer manual. If you want to operate the User Setup Utility without using a mouse (using function keys, arrow keys, and the tab key) refer to the key function explanations at the bottom of each User Setup Utility screen.

Installing the User Setup Utility

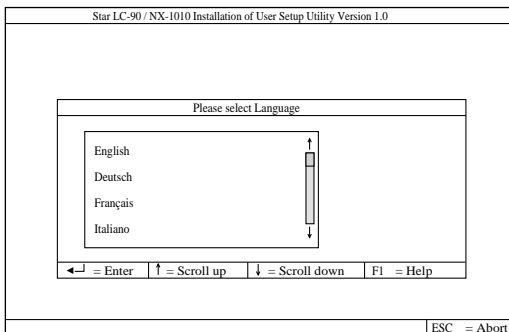
- Insert the disk that contains the User Setup Utility into one of your computer's disk drives. This explanation assumes you are using the A: drive, but you could use any drive. Just remember to change the "A:" drive name specifications in the following steps to the name of the drive you are using.

Important!

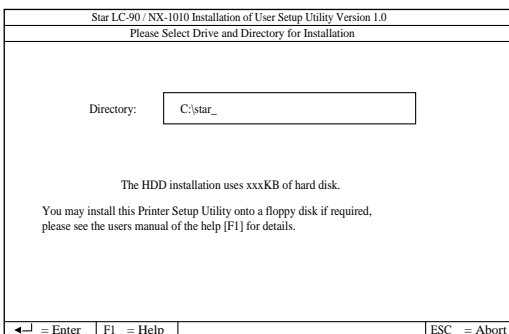
*Note that you cannot use a mouse to navigate inside the User Setup Utility installation screens. Instead, you must use the arrow, **Enter**, backspace, and **Delete** keys as noted on the installation screens and in the following procedures.*

- ❑ Execute the command that installs the User Setup Utility:

A: \>SETUP ↵



- ❑ Select the language you want to use. and then press **Enter**.



The above screen appears in the language that you selected in the previous step.

- ❑ Input the drive and directory names where you want the User Setup Utility stored. The following is the default directory name that creates a directory named “star” on your hard disk (drive C:) to store the User Setup Utility.

C:\star

You can use the left and right arrows, **Delete** and **Back space** when making changes in the box that contains the drive and directory names. If you require assistance while this screen is shown, press **F1** for help.

- ❑ After you specify drive and directory names, press **Enter**.

The User Setup Utility program is started up as soon as you press **Enter**, so you can use the pull-down menus to make the setup changes you want.

Starting up the User Setup Utility

- ❑ To start up the User Setup Utility, move to the directory you specified under “Installing the User Setup Utility” on page 15. If you want to move to the directory we named “star” in our example in the previous section, you would input the following:

```
C:\>cd star ↵
```

- ❑ Next, input the command to launch the User Setup Utility:

```
STARSET ↵
```

Exit	Load	Save	General	Font	Paper	Adjust.	Port	Help
Emulation	<input checked="" type="radio"/> Standard * <input type="radio"/> IBM			RAM usage	<input checked="" type="radio"/> Input Buffer * <input type="radio"/> Download			
NLQ Direction	<input checked="" type="radio"/> Uni-direction * <input type="radio"/> Bi-direction			Sleep	<input checked="" type="radio"/> 15 min. * ↑ <input type="radio"/> 30 min. ↓			
A.E.C.	<input checked="" type="radio"/> Enabled * <input type="radio"/> Disabled			Demo Print	<input checked="" type="radio"/> Self-print short * ↑ <input type="radio"/> Self-print long ↓			
Current Data: Current General Setting								
TAB = Next Box			↑ = Scroll up				← → = Menu Select	
SPACE = Set Function			↓ = Scroll down					

When you start the User Setup Utility, it reads and displays the printer’s current settings.

- ❑ Now you can use the pull-down menus described below to make the setup changes you want.

If the printer is not connected to your computer or if the power of the printer is switched off, the following message appears on the display when you start up the User Setup Utility.

<p>Printer is not answering !</p> <p>Please check the power and interface cables and try again</p> <p>←↵ = Retry ESC = Cancel</p>
--

Check the connection between the computer and the printer, and check the power. After correcting the problem, press **Enter** to continue.

The above message also appears when your computer and printer are connected through an optional Serial-to-Parallel Interface Converter. In such a case, simply press the computer’s **ESC** key to clear the message.

Important!

Your printer cannot read the settings if your computer and printer are connected through an optional Serial-To-Parallel Interface Converter. In such a case, you can still use the User Setup Utility to send settings to the printer, but you cannot read the printer's current settings.

Changing User Setup Utility parameter settings

Changing User Setup Utility parameter settings is quite easy, regardless of whether you are using a mouse or the keyboard. The following are basic operations that you can use to change parameters in the General, Font, Paper, Adjust., and Port windows.

To select a window

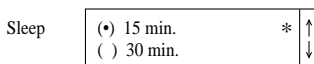
- Highlight the name of the window you want to display by clicking on it in the menu bar, or by using the left and right arrow keys.

To select a parameter box

- Select the parameter box that you want by clicking inside the box with the mouse or by moving to the box using the keyboard's **Tab** key. Parameters are grouped inside of boxes on the screen. When you first display a window, the current setting of the parameter in the first (upper left) box in the window is highlighted to indicate that it is selected. When you select a parameter box, the parameter's current selection is highlighted.

About parameter boxes

Note that there are two types of parameter boxes. Some have up and down arrows on the right side, which indicates that there are more than two possible settings for these particular parameters.



After you select such a box (by clicking inside it with the mouse or by moving to it by pressing **Tab**), use the mouse to click on the up and down buttons to scroll through the available settings. You can also use the up and down arrow keys to scroll through available settings.

The other type of parameter box are “toggle” type, which means that you select one setting or the other.

RAM usage	<input checked="" type="radio"/> Input Buffer *
	<input type="radio"/> Download

Note that with both types of parameter boxes, the currently selected setting is indicated by a ball inside the parentheses on the left of the setting.

Asterisks to the right of the parameters indicate default settings.

To change a parameter setting

- Select the parameter box (by clicking inside it with the mouse or by moving to it by pressing **Tab**) that contains the setting you want to change.
- Highlight the setting you require by clicking on it with the mouse, or by using the up and down arrows. Then select that setting by clicking the mouse or by pressing the space bar.

A setting is selected when there is a ball inside the parentheses on the left of the setting. Remember that if the parameter box has up and down arrows on the right side, you may have to scroll through the settings in order to display the one that you want before you can select it.

Using the General window

While in the User Setup Utility, select **General** from the menu bar.

Exit	Load	Save	General	Font	Paper	Adjust.	Port	Help
Emulation		<input checked="" type="radio"/> Standard * <input type="radio"/> IBM		RAM usage	<input checked="" type="radio"/> Input Buffer * <input type="radio"/> Download			
NLQ Direction		<input checked="" type="radio"/> Uni-direction * <input type="radio"/> Bi-direction		Sleep	<input checked="" type="radio"/> 15 min. * <input type="radio"/> 30 min.		↑ ↓	
A.E.C.		<input checked="" type="radio"/> Enabled * <input type="radio"/> Disabled		Demo Print	<input checked="" type="radio"/> Self-print short * <input type="radio"/> Self-print long		↑ ↓	
Current Data:		Current General Setting						
TAB = Next Box		↑ = Scroll up				← → = Menu Select		
SPACE = Set Function		↓ = Scroll down						

The following describes the various settings that are available for each parameter on this screen.

Emulation

- Select either standard emulation or IBM emulation.

Note that the emulation you choose determines the character set and printer control commands that are applied for printing. See “Character Sets” on page 60 for the character sets used by each type of emulation. See “Printer Control Codes” on page 66 for details on printer control commands.

Unless you specifically need the IBM character set, we recommend that you normally use Standard emulation. If you select IBM emulation, you will also need to select an IBM printer driver.

NLQ Direction

- Select either unidirectional (Uni-direction) or bidirectional (Bi-direction) printing for NLQ (Near Letter Quality).

Bidirectional printing is faster, while unidirectional printing generally provides better print quality.

A.E.C.

- Switch A.E.C. on (Enabled) or off (Disabled).

The letters A.E.C. stand for Automatic Emulation Change. As its name suggests, enabling this feature tells the printer to automatically select the proper emulation mode (standard or IBM) to match the printer driver selected in the application you are using.

RAM usage

- Specify whether RAM should be used as an input buffer or as a download buffer.

Selecting **Input Buffer** tells the printer to use available RAM to store data it receives from the computer. This speeds up the printing operation, but it also means that RAM cannot be used to store character patterns used to define downloaded characters.

Selecting **Download** tells the printer to use available RAM to store character patterns you define using the download character control codes (page 66).

Sleep

- Specify how long the printer should wait until entering the Sleep Mode.

The Sleep Mode is entered automatically whenever no printer operation is performed for the amount of time that you specify here. Note the following characteristics about the Sleep Mode:

- ✓ Power consumption is reduced by about 20% of normal.
- ✓ Any data stored in the printer's buffer is cleared.
- The Sleep Mode is exited when the computer sends data to the printer or when you press the **Power** button.

Demo Print

- Specify the type of printout to be produced when the demo print operation is performed.

See "Testing the printer" on page 46 for details on the demo print operation.

Using the Font window

- While in the User Setup Utility, select **Font** from the menu bar.

Exit	Load	Save	General	Font	Paper	Adjust.	Port	Help
NLQ	<input checked="" type="radio"/> Courier * ↑ <input type="radio"/> Sanserif ↓			Font	<input type="radio"/> Enabled <input checked="" type="radio"/> Disabled *			
Font				lock				
Pitch	<input checked="" type="radio"/> 10 cpi * ↑ <input type="radio"/> 12 cpi ↓			Zero	<input checked="" type="radio"/> Normal * <input type="radio"/> Slashed			
				style				
Print	<input checked="" type="radio"/> NLQ * <input type="radio"/> Draft			Country	<input checked="" type="radio"/> USA * ↑ <input type="radio"/> France ↓			
mode								
Code	<input checked="" type="radio"/> IBM-PC (CP437) * ↑ <input type="radio"/> Multi-Lingual ↓			Char	<input type="radio"/> Italic <input checked="" type="radio"/> IBM Graphics 2 * ↑			
page				table				
Current Data: Current Font Setting								
TAB = Next Box			↑ = Scroll up			* → = Menu Select		
SPACE = Set Function			↓ = Scroll down					

The following describes the various settings that are available for each parameter on this screen.

NLQ Font

- Select the font that you want to use as the printer’s default near letter-quality font.

Pitch

- Select the print pitch (character spacing) you want to use for printing.

Print mode

- Select the print mode you want to use.

Selecting **NLQ** provides near letter quality output, while selecting **Draft** provides draft quality. Draft quality printing may be less attractive than near letter quality, but the printing operation is faster.

Code page

- Select the code page you want to use for printing.

For details on what characters are included in each code page, see “Character Sets” on page 60 of this manual.

Font lock

- Switch the font lock on (Enabled) or off (Disabled).

When font lock is enabled, the printer will not allow the font to be changed by the software application you are using. When disabled, the application software can control the fonts used for printing.

Zero style

- Select the type of zero you want to use.

Selecting **Normal** prints zeros without lines running through them, while **Slashed** prints zeros with a diagonal slash running through them.

Country

- Select the international character set you want to use for printing.

The international character sets you can select in this menu are: U.S.A., France, Germany, England, Denmark-1, Sweden, Italy, Spain-1, Japan, Norway, Denmark-2, Spain-2, Latin America, Korea, Irish, Legal.

For details on what characters are included in these character sets, see “Character Sets” on page 60 of this manual.

Char table

- Select the character table you want to use for printing.

For details on what characters are included in these character tables, see “Character Sets” on page 60 of this manual.

Using the Paper window

While in the User Setup Utility, select **Paper** from the menu bar.

Exit	Load	Save	General	Font	Paper	Adjust.	Port	Help
Page- Length		<input checked="" type="radio"/> 11 inch * ↑ <input type="radio"/> 8 inch * ↓		Paper- Out		<input checked="" type="radio"/> Enabled * <input type="radio"/> Disabled *		
Line- Spacing		<input checked="" type="radio"/> 1/6 Inch * <input type="radio"/> 1/8 Inch *		Tear- Off		<input type="radio"/> Enabled * <input checked="" type="radio"/> Disabled *		
Auto LF with CR		<input checked="" type="radio"/> Disabled * <input type="radio"/> Enabled *		Timeout Printing		<input checked="" type="radio"/> Enabled * <input type="radio"/> Disabled *		
Top- Margin		<input checked="" type="radio"/> 1/6" * ↑ <input type="radio"/> * ↓						
Current Data: Current Paper Setting								
TAB = Next Box			↑ = Scroll up			* = Menu Select		
SPACE = Set Function			↓ = Scroll down					

The following describes the various settings that are available for each parameter on this screen.

Page Length

Specify the length of the paper you are using.

Line Spacing

Select the line spacing you want to use.

Auto LF with CR

Switch auto LF with CR on (Enabled) or off (Disabled).

When auto LF (line feed) with CR (carriage return) is disabled, the computer must send both a line feed code and a carriage return code at the end of each line. Most applications do this automatically. When auto LF with CR is enabled, the printer automatically performs a line feed whenever it receives a carriage return from the computer.

Note the following check points when trying to figure out which setting to use here:

- ✓ If you find that your output is double-spaced when it should not be, change this setting to Disabled.
- ✓ If you find that lines are printing over each other, change this setting to Enabled.

Top Margin

- Select the spacing from the top of the paper to the first line of printing.

Paper Out

- Switch the paper out detect function on (Enabled) or off (Disabled).

When paper out detection is enabled, the printer automatically stops printing whenever it senses there is no more paper. When disabled, the printer continues printing as long as there is data. Disabling this function makes it possible to print right up to the bottom of a page, but it also creates the danger of printing when there is no paper loaded in the printer, which can damage the print head and platen.

Tear Off

- Switch the tear-off function on (Enabled) or off (Disabled).

This function controls a feature of the optional PT-10Y Push Tractor Unit. For details on this feature, see the Users Manual that comes with the Push Tractor Unit.

Timeout Printing

- Switch time-out printing on (Enabled) or off (Disabled).

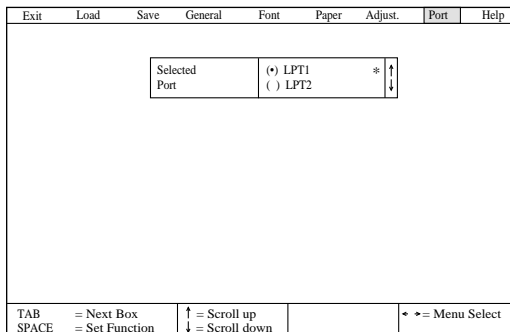
When time-out printing is enabled and paper is loaded in the Auto Sheet Feeder, the printer waits for 30 seconds after printing. If no further data is received within 30 seconds, the printer ejects the current page. The page is not ejected automatically when time-out printing is disabled.

- If you see that your printer requires adjustment, select the box for the mode you want to adjust (by clicking inside it with the mouse or by moving to it by pressing **Tab**).
- Next, select a negative value to shift the lower row left, or a positive value to shift the lines right. The extent of the shift is indicated by the size of the value.
Use the same procedures as you do for other parameters to scroll through the list of settings and select the one you want (see “Changing User Setup Utility parameter settings” on page 18).
- After you make an adjustment, you can check its affect on printing by printing a test again.
- Repeat the above steps for each mode, if necessary

Changing the printer port

The following operation is used to supply printer port information to the computer.

- While in the User Setup Utility, select **Port** from the menu bar.

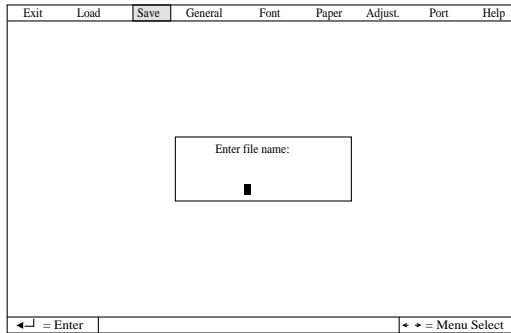


- Select the port name you want to use from the list on the display.
If you are using a parallel cable, you will probably be using LPT1. If you are using the optional Serial-To-Parallel Interface Converter, you should normally be using COM1 or COM2.

Saving setup data as a new configuration file

Use the following procedure to save the current User Setup Utility settings as a configuration file.

- While in the User Setup Utility, select the **Save** item from the menu bar.



- Input the name that you want to assign to the configuration and press **Enter**.

The displayed configuration is automatically stored in the directory you specified under “Installing the User Setup Utility” on page 15. It is given the name you specify above, with the extension “.cfg” added automatically.

Saving changed setup data in the current configuration file

- Use the procedure under “Saving setup data as a new configuration file” on page 28 to load the configuration file that you want to change.
- After making the changes that you want, select the **Save** item from the menu bar.
- Input the same name as the configuration file whose setup data you imported in the first step of this procedure and press **Enter**.

The new data is saved under the configuration file name you specify, overwriting the existing file with the same name.

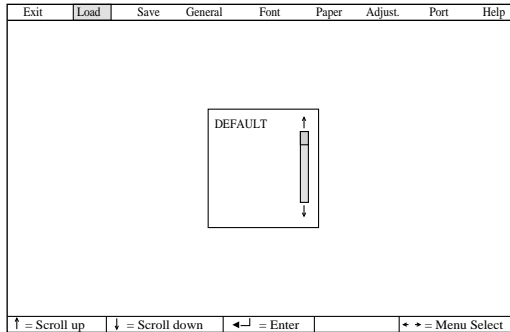
Important!

Remember that changing User Setup Utility settings on the computer screen does not directly change them in the printer. To change the printer settings to those shown on the screen, you must specify “Exit and send the settings to the printer” when exiting the User Setup Utility (page 30).

Importing setup data from a configuration file

Use the following procedure to load setup data from a previously saved configuration file.

- While in the User Setup Utility, select the **Load** item from the menu bar.



The currently selected configuration file is the one that is highlighted in the list that appears on the display.

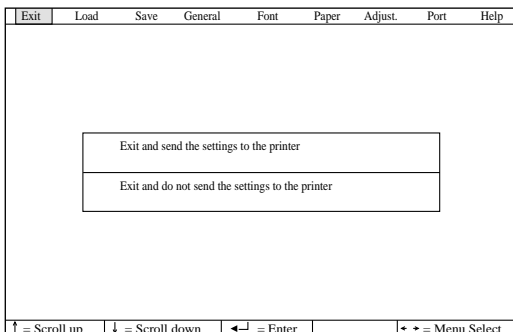
- Click on the up and down arrows of the scroll bar at the right side of the list or use the keyboard's up and down arrow keys to move the highlighting up and down until the name of the configuration file you want to use is selected (highlighted).
- After selecting the configuration file you want, press **Enter**.

Returning to default settings

- To make all settings revert to their defaults (original settings), select the **Load** item from the menu bar, highlight **DEFAULT** in the list of files, and press **Enter**.

Exiting the User Setup Utility

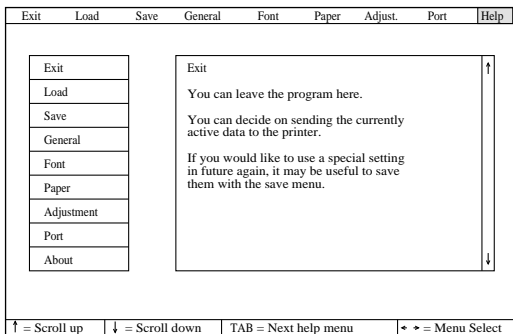
- ☐ While in the User Setup Utility, select the **Exit** item from the menu bar.



- ☐ Specify whether or not you want to send the settings to the printer by clicking on the corresponding item on the screen. Or you can use the up and down arrow keys to highlight the selection you want and then press **Enter** to execute.

Using the Help window

- ☐ While in the User Setup Utility, select **Help** from the menu bar.



- ☐ Select the item you want help on from the list on the right side of the screen. You can select an item either by clicking on it with the mouse or by scrolling through the items with the keyboard's up down arrow keys.

Chapter 3: Using the Printer with Windows 3.1

This chapter contains specific information you need to know when using the printer with Microsoft Windows 3.1. It also tells you how to install the printer driver on your computer so that it can control the printer correctly. In this chapter, you will learn about:

- How to set up for printing with Microsoft Windows 3.1
- How to prepare for printing
- How to print a document
- How to install TrueType fonts
- How to select fonts from within an application

Setting up for printing with Microsoft Windows 3.1

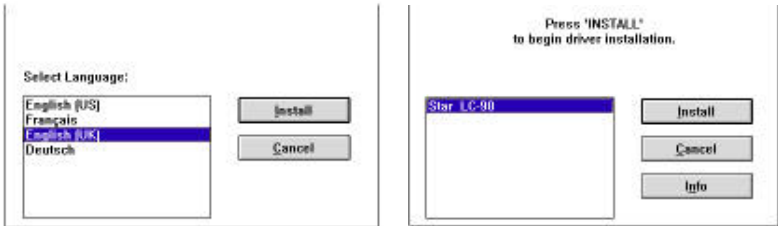
This printer is designed to work best with computers running Microsoft Windows 3.1. If you are running an earlier version of Windows, we recommend that you upgrade to 3.1.

Before you can use the printer with Windows, you must first use the procedure outlined below to install the printer driver that is supplied on the 3.5" floppy disk that comes with the printer. This procedure assumes that you are using a mouse and that you are familiar with common mouse operations like *click* and *double-click*. If you need information on mouse operations or if you want to install the printer driver without using a mouse, refer to your *Microsoft Windows User's Guide*.

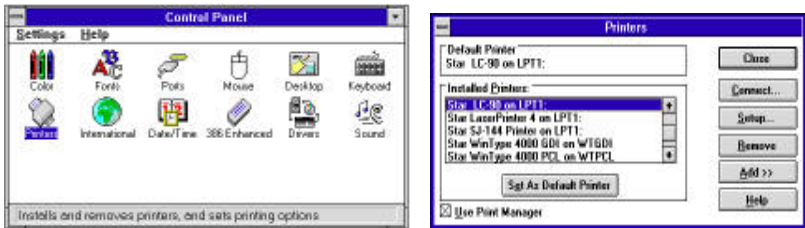
- Insert the disk that contains the printer driver into one of your computer's disk drives. This explanation assumes you are using a drive named "A:", but you could use any drive. Just remember to change the "A:" in the following steps to the name of the drive you are using.
- In the Windows Program Manager, choose **Run** from the File menu.
- Type the following line into the command line box:
A: /INSTALL ↵



You can also accomplish the same result by clicking on **Browse...** and selecting the drive where the driver floppy is loaded. Next you should select **INSTALL . EXE** and click **OK**.



- Click on the language that you want to use and then click on **Install** to start the installation. The language we will use here is English.
- Click the name of your printer in the list that appears on the display to highlight it. If you are using English (UK), choose LC-90. In the case of English (US), choose NX-1010.
- Click on **Install**, and the Control Panel window appears. Double-click on the **Printers** icon in the Control Panel window.



- Double click on the name of the printer model you selected above to select it as the default printer.
- Click on **Close** to clear the Printers window.

Note:

Windows applications automatically print on the currently selected default printer. If you want to print on a different printer, you must first select it.

See “Installing TrueType fonts” on page 36 for information of how to install the TrueType fonts that are supplied on the 3.5” floppy disk that comes with the printer.

Getting ready to print

Before printing, there are a number of things you must first do to set up the printer. You must select the printer driver, and the paper source, size, and orientation. Use the following procedure to make these selections.

Note:

You do not need to perform printer driver and paper selections mentioned above each time you print, but only if there are any changes to the last selections you made.

- In the Windows Program Manager, open the Main group by clicking on its icon.
- Double click on the Control Panel icon.
- Double-click on the **Printers** icon in the Control Panel window.
- Double-click on the name of the printer model you selected above to select it as the default printer.
- Click on **Setup** to display the window for setting up your printer.



- From this window you select buttons that let you control a wide variety of printer setup parameters. This manual does not include any information about how to do this because everything you need to know is included in an on-line manual that tells you how to use all the buttons and menus that appear. To view the on-line manual, click on **Help** button.

Note:

The **Paper Source** pull down menu in the above window gives lets you choose between Auto Sheet Feeder and Manual Feed. If you are using the optional push tractor unit, you must use the **Paper Source** menu to specify the push tractor unit as the paper source. To do this, click on the **Options** button in the above window to display the options window. Next, pull down the **Feeder** menu and select Tractor. Click on the **OK** button to complete the operation.

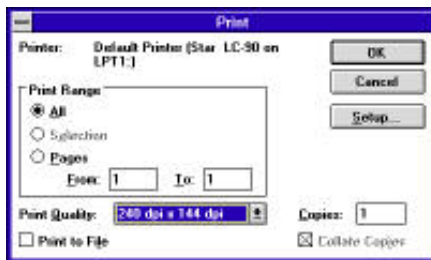
- After the printer is setup the way you want it, click on **OK**.
 - Click on the **Close** button in the Printers window to save your setup and return to the Program Manager.
-

Note:

Depending on the application software you are using, settings similar to those in the above procedure can be made using the **Print Setup** command of the File menu instead of the Control Panel.

Printing a document

The following Print window appears when you select the **Print** command of the File menu of your Windows application.



Note:

The actual appearance of the Print window that appears may differ somewhat depending on the application you are using.

Use this window to specify the range of the pages to be printed, the quality of the printing (in dots per inch), and the number of copies you want to print. Note also that there are boxes that you can select to specify printing to a file or collating (printing from back to front).

You can change the printer setup by clicking on the **Setup** button. When you do, the following window for setting up your printer appears on the display.



Make any changes that you want by clicking on the appropriate radio button or highlighting your selection on the appropriate pull-down menu. Clicking on the **Options** button displays the following window.

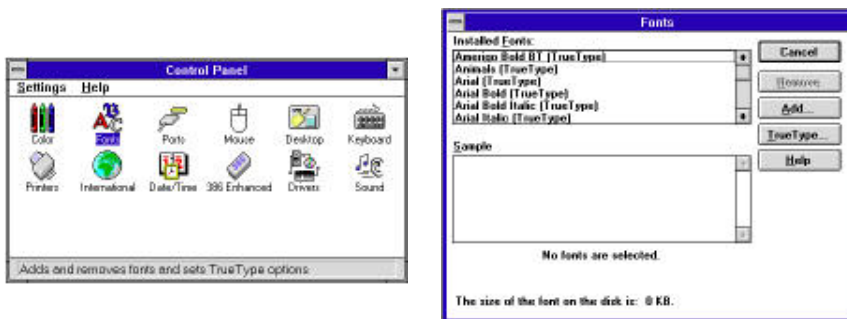


See “Getting ready to print” on page 33 for details on using this window.

Installing TrueType fonts

The TrueType fonts that are supplied on the 3.5" floppy disk that comes with the printer can be used only when you are running Windows 3.1 or later. Use the following procedure to install the fonts.

- Launch Windows.
- Open the Windows Control Panel.
- Double-click the **Fonts** icon and the Fonts dialog box appears.
Click **Add** and the Add Fonts dialog box appears.



- Insert the disk that contains the fonts into one of your computer's disk drives. This explanation assumes you are using a drive named "A:", but you could use any drive. Just remember to change the "A:" in the following steps to the name of the drive you are using.
Select the letter that represents the drive where the floppy disk is installed. When you do, the names of all the fonts on the disk appear in the List of Fonts window. Select the fonts you want to install by clicking on their names. If you want to install all of the fonts, click **Select All**.
- Click **OK**. The Fonts dialog box appears and installation is performed. The names of the newly installed fonts are automatically added to the Installed Fonts list.
- While in the application program you are using, select **Printer Setup** from the application's **File** menu, and reselect the printer. After that, the application can display on-screen text and print text on the printer using the newly installed fonts.

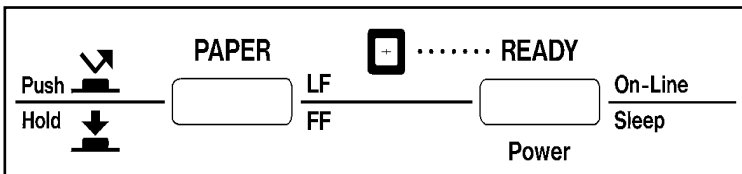
Selecting fonts in Windows applications

Refer to the manual of the application you are using for details on how to select fonts within that application.

In addition to the Windows fonts, you can also use the TrueType fonts that come with this printer.

Chapter 4: Control Panel Operations

The control panel gives you push-button control over the printer's power and paper feed operations. It also includes an indicator light that tells you the current status of the printer at a glance.



Note:

For full details on paper handling, see page 39 of this manual.

To enter the Sleep Mode

- Hold down **Power** for a few seconds. The printer beeps when it enters the Sleep Mode.
- For details about the Sleep Mode, see page 21 of this manual.

Important!

We recommend that you unplug the printer from the power outlet whenever you do not plan to use it for long periods. Because of this, you should locate the printer so that the power outlet it is plugged into is nearby and easy to access

To restore full power from the Sleep Mode

- Press **Power**.

Important!

*The printer automatically enters the Sleep Mode when you plug it in to an AC outlet. Be sure to press **Power** to power up the printer after plugging it in.*

To switch between the Ready and Not-Ready Modes

- Press **Power** to switch the computer between being the Ready and Not-Ready Modes.
- When the printer is in the Ready Mode, the **READY** indicator is lit and the printer can receive data from the computer. This means that you should make sure that the printer is in the Ready Mode whenever you are trying to print.
- When the printer is in the Not-Ready Mode, the **READY** indicator flashes slowly, which means that the printer cannot receive any data.

To feed single-sheet paper into the printer

- When there is no paper in the printer, press **PAPER** to feed paper in.
Press **PAPER** once to manually feed a sheet of paper (page 41), bypassing the automatic sheet feeder. To feed paper from the automatic sheet feeder, press **PAPER** twice.

To eject single-sheet paper from the printer

- When the printer is in Ready Mode (so the **READY** indicator is lit), press **PAPER** once to eject the paper from the printer.
- When the printer is in Not-Ready Mode (so the **READY** indicator is bit lit), hold down **PAPER** to eject the paper from the printer.

To advance paper

- While there is paper already in the printer, use **Power** to put the printer into the Not-Ready Mode (so the **READY** indicator is flashing slowly).
- Press **PAPER** once to feed the paper one line.
- To continuously feed the paper, hold down **PAPER**.

Errors

- Whenever the **READY** indicator flashes at high speed, it means that an error has occurred. To clear the error condition, hold down **Power** for a few seconds to enter the Sleep Mode. After a few seconds, press **Power** again so the **READY** indicator lights. See “Troubleshooting” on page 46 of this manual for other information on how to deal with problems. In the case of paper jams, see “Clearing paper jams” on page 41.

Chapter 5: Paper Handling

Your printer is designed to print on a variety of different paper types. This chapter tells you everything you need to know about paper, and how to set the printer up for automatic paper feed and manual paper feed. In this chapter, you will learn about:

- Selecting the best type of paper to use
- Adjusting for paper thickness
- Manual sheet feeding
- Clearing paper jams

Selecting paper types

Use the following information when selecting paper.

Single-Sheet Paper (Manual Sheet Feeding)

Width: 7.0" to 10.5" / 178 to 267mm
 Length: 5.5" to 14" / 140 to 356mm
 Thickness: 0.00276" to 0.00472" / 0.07 to 0.12mm
 Weight: 52 to 90 g/m² / 45 to 77 kg / 14 to 24 lbs

Single-Sheet Paper (Automatic Sheet Feeding)

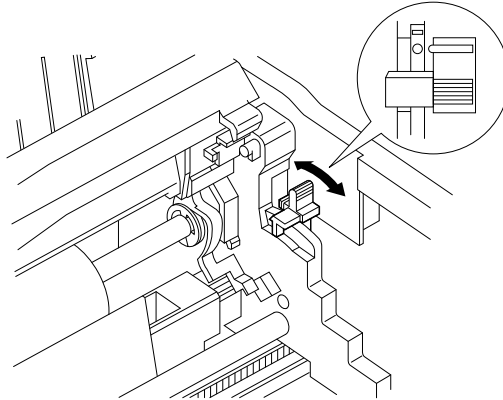
Width: A4 and Letter
 Thickness: 0.00315" to 0.00472" / 0.08 to 0.12mm
 Weight: 60 to 90 g/m² / 52 to 77 kg / 16 to 24 lbs
 Input: 55 sheets of 64 g/m²
 Output: 10 sheets

Note:

You can make certain paper type settings using the User Setup Utility. See "User Setup Utility" on page 15 of this manual for details.

Adjusting for paper thickness

Paper comes in different weights, normally expressed as gsm (grams per square meter) or lbs (pounds). Some form paper also has multiple pages that make them quite thick. Use the following procedure to change the gap between the print head and the platen and adjust for paper thickness.



- Move the adjustment lever on the right side of the platen to one of its four settings. The adjustment lever position that is nearest to the back of the printer is Position 1 (minimum gap), while the position at the opposite extreme is Position 4 (maximum gap). Position 2, which is marked with a dot, is most suitable for single-sheet paper.

The following table provides a general guide for setting the adjustment lever. Experiment with different settings until you find the one that gives you the print quality you want.

Paper Type	Weight Per Sheet	Thickness	Recommended Position
Single-sheet	14 to 24 lbs (52 to 90 gsm)	0.07 to 0.12 mm	2 or 3
Fanfold 1-ply	14 to 24 lbs (52 to 90 gsm)	0.07 to 0.12 mm	3
Fanfold 2 or 3-ply	11 to 14 lbs (40 to 52 gsm)	0.13 to 0.21 mm	4

Important!

Continuous use of the wrong adjustment lever setting can drastically reduce print head life!

Automatic sheet feeding

Your printer comes with a built-in automatic sheet feeder that can hold up to 55 sheets of paper. See page 9 of this manual for details on using the auto sheet feeder.

- To feed paper into the printer, press the control panel's **PAPER** button twice.

Manual sheet feeding

You can use the following procedure to manually feed single sheets of paper into the printer, even while different paper is loaded in the automatic sheet feeder.

- Insert the sheet of paper into the printer, in front of the paper tray cover.
- Press the control panel's **PAPER** button once.

Note:

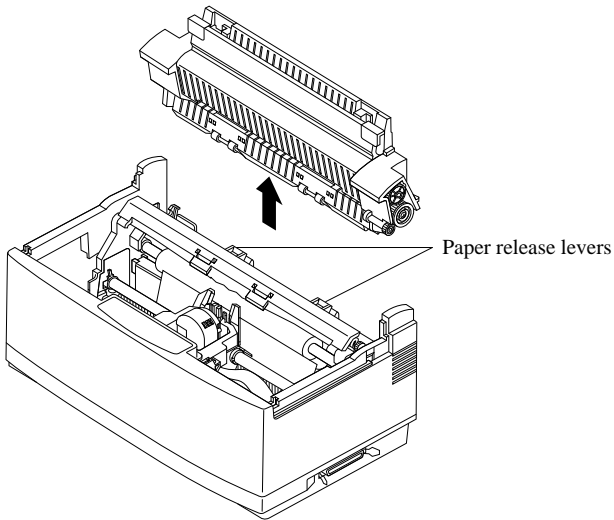
If you are manually inserting letterhead paper, insert the sheet so that it is face down with the letterhead portion down.

Clearing paper jams

Use the following procedure to clear paper jams from the printer.

- Unplug the printer from its AC power outlet.
- Open the front cover of the printer.
- Pull the front of the automatic sheet feeder forward.
- Remove any paper that is still in the feeder.
- Carefully try to pull the jammed paper from the printer.
- If the paper is so badly jammed that you cannot easily pull it out, detach the automatic sheet feeder from the printer (see “Detaching the automatic sheet feeder” on page 12).

- Lifting up on the two paper release levers on the back of the printer, pull the jammed paper out.



- After you clear the jam, replace the automatic sheet feeder (see, “Re-installing the automatic sheet feeder” on page 14).
- Reload paper into the automatic feeder.
- Close the front cover of the printer.

Chapter 6: Using the Printer with MS-DOS

This chapter contains information about how to use the printer with applications software running under MS-DOS. In this chapter, you will learn about:

- How to set up for printing with MS-DOS
- How to select fonts from within an application

Setting up for printing with MS-DOS

To print from an application running under MS-DOS, you must first select the printer from within the application. Typically, the program will feature an **INSTALL** or **SETUP** command for selection of printers. Refer to the manual for the application you are using for details on how to select a printer for it.

Note:

Remember that you must select a printer for each individual application before you can print from it.

The following procedure describes the basics of selecting a printer.

- Start up the application and use the correct procedure for that application to select a printer. The following is a list of printers that can be used. If your application lists more than one of these, select the printer that is nearest to the top of this list. Use User Setup Utility to select Standard emulation (page 20).

Star LC-90 / NX-1010
Star LC-100 / NX-1040
Star LC-10 / NX-1000
Epson FX-850
Epson EX-800
Epson LX-850 / LX-810

- If none of the printers listed above is available in the application, choose one of the following. Once again, you should choose the one that is nearest to the top in the following list. Use User Setup Utility to select IBM emulation (page 20).

IBM ProPrinter III
IBM ProPrinter II
IBM ProPrinter

- To print, follow the instructions given in the manual of the application you are using. Typically, you would select the application's **PRINT** command, make any necessary changes in the window that appears (such as the number of copies to be printed), and then press the **Enter** key to start printing.

Selecting fonts in MS-DOS applications

Use the User Setup Utility to select a font when running an application under MS-DOS. For details on the fonts that are available and how to select them, see "NLQ Font" on page 22 of this manual.

Chapter 7: Other Printing Features

This chapter details other features that you are sure to find helpful, no matter what kind of document you are printing. They provide you with the versatility to make your output look exactly as you want it. In this chapter, you will learn about:

- How to pause printing
- Feeding paper
- Form feeding

How to pause printing

- To temporarily interrupt printing, press the control panel's **Power** button to put the printer into the Not-Ready Mode.
- To resume printing, press **Power** again to put the printer back into the Ready Mode.

Line feed

Use the following procedure to feed paper one line at a time.

- Press the control panel's **Power** button to put the printer into the Not-Ready Mode.
- Press the control panel's **PAPER** button to feed one line.
- To print, press **Power** again to put the printer back into the Ready Mode.

Form feed

The form feed operation feeds paper through the printer so the print head is at the top of the next page to be printed. Use the following procedure to perform the form feed operation.

- Press the control panel's **Power** button to put the printer into the Not-Ready Mode.
- Holding down the control panel's **PAPER** button to perform the form feed operation.
- To print, press **Power** again to put the printer back into the Ready Mode.

Appendix A: Troubleshooting

The appendix tells you what you need to know if you experience problems with your printer. It tells you how to test the printer, how to check system software settings, and how to adjust the vertical alignment. In addition, there is information on actions to take for specific problems, and on the meanings of printer beep tones.

Warning!

The printer uses high voltage. Do not attempt any other repair or maintenance except as expressly recommended in this appendix. Unauthorized repair and maintenance not only exposes you to the danger of electrical shock, it also may damage your printer and void your warranty.

Testing the printer

There are three different tests you can use: a short test, a long test and a hexadecimal dump. The same operation is used to perform all three tests, and the test print that is performed is controlled by the setting you make with the User Setup Utility. For details on selecting the test print type with the User Setup Utility, see “Demo Print” on page 21.

- To perform the demo print selected by the User Setup Utility, hold down the control panel’s **Power** button to enter the Sleep Mode.
- Holding down the control panel’s **PAPER** button, press the **Power** button and then release both buttons at the same time.
- To stop demo printing hold down the **Power** button to enter the Sleep Mode.

- ❑ Begin printing from your computer,

Instead of a normal printout, data will be printed in sixteen columns of hexadecimal numbers (two groups of eight numbers each). The equivalent printable characters (or dots in the case of unprintable codes) are printed to the right of each row of hexadecimal numbers.

After you start the hexadecimal dump (by using the procedure described above), you can switch it off (and return the printer to normal operation) by holding down the control panel's **Power** button.

Troubleshooting guide

Use the following table to help track down the causes of problems and to determine the best solution to deal with them.

Problem	Possible Cause	Recommended Action
The READY indicator does not light or flash.	The printer is not receiving power.	Check whether the power cord is correctly plugged into the power outlet.
		Check whether the power outlet is working by unplugging the printer and plugging in another device.
Printer sounds like it is printing, but it is not. Printing is weak.	The ribbon is jammed, twisted, or not set correctly between the print head and the print head shield.	Make sure that the ribbon cartridge is installed correctly. See “You can completely remove the front cover from the printer. However, we recommend that you normally leave it in place. The cover protects against objects getting into the printer, and it cuts down on printer noise.” on page 4.
	The printer is not set up correctly for the thickness of paper you are using.	Set up the printer for the paper thickness you are using. See “Adjusting for paper thickness” on page 40.

Problem	Possible Cause	Recommended Action
Printer test works, but printer will not print out data from the attached computer.	The wrong emulation is selected.	Check the emulation selection and change if necessary. See "Emulation" on page 20.
	Your application program's or system software's printer selection is wrong.	Check the printer selection of your application software.
	The computer's system software is not set up properly for the printer or for the type of interface cable you are using.	Check the system software settings.
	The interface cable is connected incorrectly or damaged.	Check to make sure that the printer interface cable is connected correctly. If it is, try a different cable.
Font selection changes unexpectedly.	Your application software is overriding the font selected using the User Setup Utility. This possibility does not apply to systems running Windows.	Use the User Setup Utility to enable the font lock. See "Char table" on page 23.
Printer does not feed paper properly.	The paper tray cover is not closed properly.	Close the paper tray cover.
	Jamming paper.	Remove all paper from the printer and then reload it.
	The printer is not set up correctly for the thickness of paper being used.	Set up the printer for the paper thickness you are using. See "Adjusting for paper thickness" on page 40.

Problem	Possible Cause	Recommended Action
Line spacing is incorrect.	Jamming paper.	Set up the printer for the paper thickness you are using. See “Adjusting for paper thickness” on page 40.
	The line spacing or leading selected your application program is wrong.	Choose a different line spacing or leading setting from your application.
	Auto line feed with carriage return is enabled by the User Setup Utility.	Use the User Setup Utility to disable auto line feed with carriage return. See “Auto LF with CR” on page 24.
Lines print over each other.	Auto line feed with carriage return is disabled by the User Setup Utility.	Use the User Setup Utility to enable auto line feed with carriage return. See “Auto LF with CR” on page 24.
	Jamming paper.	Set up the printer for the paper thickness you are using. See “Adjusting for paper thickness” on page 40.
Incorrect number of lines are printed on the page.	Auto line feed with carriage return is enabled by the User Setup Utility.	Use the User Setup Utility to disable auto line feed with carriage return. See “Auto LF with CR” on page 24.
	The line spacing or leading selected by your application program is wrong.	Choose a different line spacing or leading setting from your application.
Text and graphics are malformed. Print quality is poor.	Vertical dot adjustment is not set properly.	Use the User Setup Utility to set the printer’s vertical dot alignment.
	The printer is not set up correctly for the thickness of paper being used.	Set up the printer for the paper thickness you are using. See “Adjusting for paper thickness” on page 40.

Problem	Possible Cause	Recommended Action
Text and graphics are malformed. Print quality is poor.	The print head is damaged.	Return the printer to your dealer for repair.
Forms are smudged. Printing is too dark.	The printer is not set up correctly for the thickness of paper being used.	Set up the printer for the paper thickness you are using. See "Adjusting for paper thickness" on page 40.
	The ribbon is jammed, twisted, or not set correctly between the print head and the print head shield.	Make sure that the ribbon cartridge is installed correctly. See "Installing the ribbon cartridge" on page 5.
	Print head shield is damaged or missing.	Return it to your dealer for repair.
Printer case is hot.	The printer's air vents are blocked or obstructed.	Switch off the printer and let it cool. Check the air vents on the bottom of the printer to see if they are blocked. Remove the obstruction is possible. If the problem persists, return the printer to your dealer for repair.
Printer makes excessive noise.	The front cover is removed.	Replace the front cover.
	The printer is vibrating.	Move any objects that are touching the printer.
		Make sure that the printer is on a level steady surface.

Problem	Possible Cause	Recommended Action
Printer prints past the edge of the paper.	The paper guide is not positioned correctly.	Remove the paper and adjust the position of the paper guide. Reload the paper and try printing again.
	The ribbon is jammed, causing the print head to jam.	Make sure that the ribbon cartridge is installed correctly. See "Installing the ribbon cartridge" on page 5.
	Paper is jamming, causing the print head to jam.	Remove all paper from the printer and reload it. Try printing again.
		Set up the printer for the paper thickness you are using. See "Adjusting for paper thickness" on page 40.
	Incorrect margin settings are selected by your application program.	Choose different margin settings from your application program.
Left margin moves to the right during printing.	The paper is not loaded correctly, causing the print head to jam.	Remove all paper from the printer and reload it. Try printing again.
	The ribbon cartridge is not installed correctly, causing the print head to jam.	Make sure that the ribbon cartridge is installed correctly. See "Installing the ribbon cartridge" on page 5.
	The printer is not set up correctly for the thickness of paper being used.	Set up the printer for the paper thickness you are using. See "Adjusting for paper thickness" on page 40.
	Inappropriate settings are selected by your application program.	Choose different settings in your application.

Problem	Possible Cause	Recommended Action
Left margin moves to the right during printing.	Static electricity caused by interference from nearby electrical devices or by low-level humidity is affecting printer operation.	Make sure that the printer is not too close to any devices with electric motors or that raise the humidity level.
Some characters are printed incorrectly.	The wrong emulation is selected.	Check the emulation selection and change if necessary. See "Emulation" on page 20.
	The wrong character table, code page, or international character set is selected by the User Setup Utility.	Use the User Setup Utility to select the correct character table, code page, or international character set. See "Pitch" on page 22, "Code page" on page 22, and "Char table" on page 23.
	Static electricity caused by interference from nearby electrical devices or by low-level humidity is affecting printer operation.	Make sure that the printer is not too close to any devices with electric motors or that raise the humidity level.
	Inappropriate settings are selected by your application.	Choose different settings in your application.
	Wires are missing from the print head.	Return the printer to your dealer for repair.
Printer behaves erratically. Printing suddenly stops.	The interface cable is connected incorrectly or damaged.	Check to make sure that the printer interface cable is connected correctly. If it is, try a different cable.
	Static electricity caused by interference from nearby electrical devices or by low-level humidity is affecting printer operation.	Make sure that the printer is not too close to any devices with electric motors or that raise the humidity level.

Checking system software settings in Windows

Whenever you have problems printing from a Windows application, you should check the following three things:

- ✓ Is the printer you are using set as the default printer?
- ✓ Is the printer you are using correctly selected in your application?
- ✓ Is the correct port selected?

You should also refer to your *Microsoft Windows User's Guide* for other information that might be helpful. If you still experience problems, consult with your software dealer.

To check the default printer selection

- Double-click the **Control Panel** icon in the Main window.
- Double-click the **Printers** icon.
- Check to see that the name of your Star printer is the default printer. If it is not, double-click on the name of your printer in the list of installed printers.
- Click on **Close** to return to the Control Panel window.

To check the application printer selection

- Select **Print** from the application's **File** menu, and a window appears listing available printers.
- Check to see that the name of your Star printer is selected. If it is not, select it and try printing from your application again.

To check the port

- Double-click the **Control Panel** icon in the Main window.
- Double-click the **Printers** icon.
- Double-click on the name of your Star printer in the list of installed printers.
- Click on **Connect**.
- Make sure that your printer cable is connected to the port highlighted in the list of ports.

If you are using a parallel cable, you will probably be using LPT1. If you are using the optional Serial-To-Parallel Interface Converter, you should normally be using COM1 or COM2. Click on the correct port name.

- Click **OK**.
- Click on **Close** to return to the Control Panel window.

Checking system software settings in MS-DOS

If you are using a parallel cable and cannot print a text file using the MS-DOS PRINT command, you may have a problem with your AUTOEXEC.BAT file. Open the file and look for the following line:

```
MODE LPT1 :=COM1 or MODE LPT1 :=COM2
```

These lines indicate printing you are using a serial cable connection, and so you should delete them, save the AUTOEXEC.BAT file, and try printing again.

Of course, if you are having problems printing with the optional Serial-To-Parallel Interface Converter, you should conversely check to make sure that one of the above lines is included in your AUTOEXEC.BAT file. The file must also contain information on parameter settings. For details, see the user's manual that comes with the optional Serial-to-Parallel Interface Converter.

If the above is not the problem or if you make the above changes and still experience problems printing using the MS-DOS PRINT command, refer to your *MS-DOS Users' Guide* or consult with your software dealer.

If you are successful in printing using MS-DOS PRINT command but cannot print from an application, check to see what printer driver is select in the application. See "Setting up for printing with MS-DOS" on page 43. If this does not help, consult with your software dealer.

Checking the port settings in the User Setup Utility

- Start up the User Setup Utility (page 17).
- Select **Port** from the menu bar.
- Make sure that your printer cable is connected to the port selected in the list of available ports.

If you are using a parallel cable, you will probably be using LPT1. If you are using the optional Serial-To-Parallel Interface Converter, you should normally be using COM1 or COM2.
- Exit the User Setup Utility and send the settings to the printer.

Appendix B: Specifications

Printing System	Serial Impact Dot-Matrix		
Printing Speed	Pitch	Draft (cps/dpi)	NLQ (cps/dpi)
	Pica (10 cpi)	160/120H	40/240H
	Elite (12 cpi)	192/120H	48/240H
	Condensed pica (17 cpi)	136/240H	68/240H
	Condensed elite (20 cpi)	160/240H	80/240H
	H: half-dot		
Print Direction	Draft:	Bi-directional logic seeking	
	NLQ:	Uni-directional or bi-directional logic seeking (selectable); Default: uni-directional	
	Bit-Image:	Uni-directional logic seeking	
Print Head	Number of pins:	9	
	Life:	100 million dots/pin	
Line Spacing	1/6", 1/8"		
Character Matrix	Pitch	Draft	NLQ
	Pica (10 cpi)	9 × 11H	18 × 23H
	Elite (12 cpi)	9 × 9H	18 × 19H
	Condensed pica (17 cpi)	9 × 11H	18 × 12H
	Condensed elite (20 cpi)	9 × 9H	18 × 10H
	H: half-dot		
Environment	Operating Temperature:	50°F to 95°F (10°C to 35°C)	
	Storage Temperature:	-22°F to 149°F (-30°C to 65°C)	
	Operating Humidity:	30% to 80% (non-condensing)	
	Storage Humidity:	20% to 90% (non-condensing)	

Paper	Single-sheet (manual feeding)
	Paper width: 7" to 10.5" / 178 to 267 mm
	Paper length: 5.5" to 14" / 140 to 356 mm
	Paper thickness: 0.00276" to 0.00472" / 0.07 to 0.12 mm
	Paper weight: 52 to 90 g/m ² / 45 to 77 kg / 14 to 24 lbs.
	Single sheet (automatic sheet feeding)
	Paper size: A4 and Letter
	Paper thickness: 0.00315" to 0.00472" / 0.08 to 0.12 mm
	Paper weight: 60 to 90 g/m ² / 52 to 77 kg / 16 to 24 lbs.
	Fanfold (with optional push tractor feeder)
Paper width: 4" to 10" / 101.6 to 254 mm	
Paper thickness: 0.00276" to 0.00433" / 0.07 to 0.11 mm (non-carbon paper, one-ply) 0.00984" / 0.25 mm max. (total thickness of multi-ply paper)	
Paper weight: 52 to 82 g/m ² / 45 to 70 kg / 14 to 22 lbs. (one-ply) 40 to 52 g/m ² / 34 to 45 kg / 11 to 14 lbs. (multi-ply)	
Copies: Original + 2	
Emulation (AEC)	Standard Mode: EPSON FX-850
	IBM Mode: Proprietary III
Interface	Standard: Centronics parallel
	Option: RS-232C serial
Ribbon Type	On-carriage, dedicated
Ribbon Life	Monochrome (Y9): Black only
Dimensions and Weight	1.2 million characters (Draft 10 cpi)
	Width: 15.4" / 390 mm
	Depth: 9.1" / 232 mm
	Height: 6.2" / 158 mm
	Weight: 13.7 lbs. / 6.2 kg
Power Supply	120V AC ±10%, 230V AC +6%/-14%, 240V AC±10%; 50/60Hz (depending on country of purchase)
Power consumption	5W during stand-by
	4W in sleep mode
	30W in ASCII draft printing
Options	PT-10Y Push Tractor Unit
	SPC-8K Serial-To-Parallel Interface Converter

Now preparing the acrobat data

Appendix C: Interface Pin Outs

Appendix D: Character Sets

Appendix E: Printer Control Codes

Click [here](#) to refer to **Multiple Language Manual LC-90**.

Appendix F: Glossary

A.E.C

Automatic Emulation Change feature that allows the printer to automatically select the proper emulation mode (standard or IBM).

automatic sheet feeder

Device built into the printer that automatically feeds individual sheets for printing.

Centronics cable

Parallel cable normally used to connect the printer to the computer.

configuration file

Computer file created by the User Setup Utility to store printer configuration settings.

default setting

Setting that is automatically selected by the printer or computer whenever you do not make any setting.

emulation

Ability of the printer to act like (emulate) certain types of printer.

font lock

Feature that blocks the software application from changing the font selection.

NLQ font

Near letter-quality font.

Not-Ready Mode

Printer mode in which the printer is off line and cannot be used for printing.

power outlet

Local AC power source that you plug into to supply power to your printer. Be sure that your printer is rated for the electrical power in your area. Your printer's rating can be found on the plate on the bottom of the printer.

print head shield

Shield that protects the print head. The print head shield is built into the ribbon cartridge.

push tractor unit

Option that makes it possible to feed continuous fanfold paper into the printer.

Ready Mode

Printer mode in which the printer is on line and ready to print.

Serial-To-Parallel Interface Converter

Option that makes it possible to connect the printer to a computer via a serial interface instead of the standard Centronics parallel interface.

A

A.E.C. 20, 73
adjustment lever 40
application printer selection 55
auto LF with CR 24
AUTOEXEC.BAT 56
Automatic Emulation Change
20, 73
automatic sheet feeder 41, 73
detaching 12
reinstalling 14

B

bidirectional printing 20

C

cable
parallel 7, 27, 55, 56
carton contents 2
char. table 23
character patterns 21
character set
IBM #2 61
international 60
standard 60
character sets 60
choosing a location 1
Code Page
Brazil-ABICOMP 65
Brazil-ABNT 64
Canadian French 62
CS2 64
Gost-Russian 63
Hungarian 64
IBM-Russian 63
Icelandic 62
Latin-2 61
Multi-lingual 61
Nordic 62
Polish 63

Portuguese SS 62
Russian 63
Turkish 64
code page 22
connecting
to a power outlet 9
to computer 7
control panel
printer 37
country 23

D

default printer 33
demo print 21
download buffer 21

E

emulation 20
errors 38

F

font lock 23
Font window 22
char. table 23
code page 22
country 23
font lock 23
NLQ Font 22
pitch 22
print mode 22
zero style 23
fonts
selecting in Windows 36
front cover
opening 4

G

General window 19
A.E.C. 20
demo print 21

- emulation control 20
 - RAM usage 21
 - Sleep Mode 21
- H**
- Help window 30
- hexadecimal dump 47
- I**
- input buffer 21
- L**
- line spacing 24
- M**
- manual sheet feeding 41
- Microsoft Windows 31
 - setting up for 31
- MS-DOS 43
 - selecting a printer 43
 - selecting fonts with 44
 - setting up for 43
- N**
- NLQ Direction 20
- NLQ Font 22
- Not-Ready 38
- O**
- options 2
- P**
- page length 24
- paper
 - advancing 38
 - automatic feeding 41
 - ejecting 38
 - fanfold 1, 9
 - feeding 38
 - handling 39
 - length 24
 - letterhead 41
 - loading 9
 - manual feeding 41
 - multi-page form 9
 - selecting 39
 - thickness adjustment 40
- paper jams 41
- paper out 25
- paper support 6
- Paper window 24
 - auto LF with CR 24
 - line spacing 24
 - page length 24
 - paper out 25
 - tear-off 25
 - timeout printing 25
 - top margin 25
- parallel cable 7
 - length 7
- pitch 22
- port
 - checking 55, 56
 - parallel 8
- power switch 9
- print head shield 5
- print mode 22
- printer port
 - changing 27
- printing
 - getting ready 33
 - pausing 45
 - Windows 34
- push tractor 34
- push tractor unit 2
- R**
- RAM Usage 21
- Ready 38
- ribbon cartridge
 - installing 5

S

- serial-to-parallel converter 7, 8, 17
- Sleep Mode 21
 - entering 37
 - precautions 21
- system software settings
 - MS-DOS 56
 - Windows 55

Z

- zero style 23

T

- tear-off 25
- test
 - long 47
 - short 47
- timeout printing 25
- top margin 25
- troubleshooting 49
- TrueType fonts
 - installing 36

U

- unidirectional printing 20
- User Setup Utility
 - default settings 29
 - Exit 30
 - exiting 30
 - Font window 22
 - Importing setup data 29
 - installing 15
 - new configuration file 28
 - saving changes 28
 - starting up 17

V

- vertical alignment 26

W

- Windows 31

Customer service information

If you experience any technical difficulties with your Star printer, please refer to Appendix A How to deal with printing problems. This chapter describes easy methods to diagnose and resolve some of the problems that you may encounter.

For further technical support, you should first contact your Authorized Star Dealer. If you require additional support, Star Micronics offers a wide variety of technical support services. Please use one of the telephone numbers listed below, depending on the country in which your Star printer was purchased.

Star Micronics Technical Hotline:

North America:	1-908-572-3300
United Kingdom:	44-1277-232036
Hong Kong:	852-2795-2335
Australia:	61-2-748-4300
New Zealand:	64-9-570-1470

Star Micronics FaxBack (Document Retrieval) System:

Requires access to a facsimile machine or board with receive capability

North America:	1-908-572-4004
----------------	----------------

Star Micronics Bulletin Board Service:

Requires a computer modem

North America:	1-908-572-5010
United Kingdom:	44-1494-461395
France:	33-1-305807
Germany:	49-69-780929
Netherlands:	31-73-424485
Australia and New Zealand:	61-2-748-2960

Customer response

Star Micronics Co., Ltd. invites your suggestions and comments on your printer and this manual. Please address your correspondence to Attn: Product Manager

Worldwide Headquarters

STAR MICRONICS CO., LTD.
536 Nanatsushinya, Shimizu,
Shizuoka, 424, Japan

North and South America Markets

STAR MICRONICS AMERICA, INC.
70- D Ethel Road West
Piscataway, NJ 08854-5950

European Market

STAR MICRONICS DEUTSCHLAND
GMBH
Westerbachstraße 59
D-60489 Frankfurt
F.R. of Germany

U.K. Market

STAR MICRONICS U.K. LTD.
Star House
Peregrine Business Park
Gomm Road, High Wycombe
Bucks. HP13 7DL, U.K.

Australian Market

STAR MICRONICS PTY. LTD.
Unit A/107-115 Asquith Street,
Silverwater, NSW 2141
Australia

New Zealand Market

STAR MICRONICS (N.Z.) LTD.
64 Lunn Ave. Mount Wellington
P.O. Box 6255, Wellesley St.,
Auckland, New Zealand.

Asian Market

STAR MICRONICS ASIA LTD.
18/F Tower 2, Enterprise Square
9 Sheung Yuet Road, Kowloon Bay, HONG
KONG

Free Manuals Download Website

<http://myh66.com>

<http://usermanuals.us>

<http://www.somanuals.com>

<http://www.4manuals.cc>

<http://www.manual-lib.com>

<http://www.404manual.com>

<http://www.luxmanual.com>

<http://aubethermostatmanual.com>

Golf course search by state

<http://golfingnear.com>

Email search by domain

<http://emailbydomain.com>

Auto manuals search

<http://auto.somanuals.com>

TV manuals search

<http://tv.somanuals.com>