

*DOT MATRIX PRINTER*

**SP200 SERIES**

***USER'S MANUAL***



**Federal Communications Commission  
Radio Frequency Interference  
Statement**

This equipment has been tested and found to comply with the limits for a Class A digital device, pursuant to Part 15 of the FCC Rules. These limits are designed to provide reasonable protection against harmful interference when the equipment is operated in a commercial environment. This equipment generates, uses and can radiate radio frequency energy and, if not installed and used in accordance with the instruction manual, may cause harmful interference to radio communications. Operation of this equipment in a residential area is likely to cause harmful interference in which case the user will be required to correct the interference at his own expense.

For compliance with the Federal Noise Interference Standard, this equipment requires a shielded cable.

*This statement will be applied only for the printers marketed in U.S.A.*

**Statement of  
The Canadian Department of Communications  
Radio Interference Regulations**

This digital apparatus does not exceed the Class A limits for radio noise emissions from digital apparatus set out in the Radio Interference Regulations of the Canadian Department of Communications.

Le présent appareil numérique n'émet pas de bruits radioélectriques dépassant les limites applicables aux appareils numériques de la classe A prescrites dans le Règlement sur le brouillage radioélectrique édicté par le ministère des Communications du Canada.

*The above statement applies only to printers marketed in Canada.*

**CE  
Manufacturer's Declaration of Conformity**

**EC Council Directive 89/336/EEC of 3 May 1989**

This product has been designed and manufactured in accordance with the International Standards EN 61000-6-3/10.2001 and EN 55024/09.98 following the provisions of the Electro Magnetic Compatibility Directive of the European Communities as of May 1989.

**EC Council Directive 73/23/EEC and 93/68/EEC of 22 July 1993**

This product has been designed and manufactured in accordance with the International Standards EN 60950 following the provisions of the Low Voltage Directive of the European Communities as of July 1993.

*The above statement applies only to printers marketed in EU.*

**Trademark acknowledgments**

**SP200:** Star Micronics Co., Ltd.

**ESC/POS:** Seiko Epson Corporation

**Notice**

- All rights reserved. Reproduction of any part of this manual in any form whatsoever, without STAR's express permission is forbidden.
- The contents of this manual are subject to change without notice.
- All efforts have been made to ensure the accuracy of the contents of this manual at the time of going to press. However, should any errors be detected, STAR would greatly appreciate being informed of them.
- The above notwithstanding, STAR can assume no responsibility for any errors in this manual.

© Copyright 1994 Star Micronics Co., LTD.

## Safety Information

---

### **Important!**

*Make sure that the printer is turned off and unplugged from the AC outlet and that the computer is turned off before making connections.*

---

### **Important!**

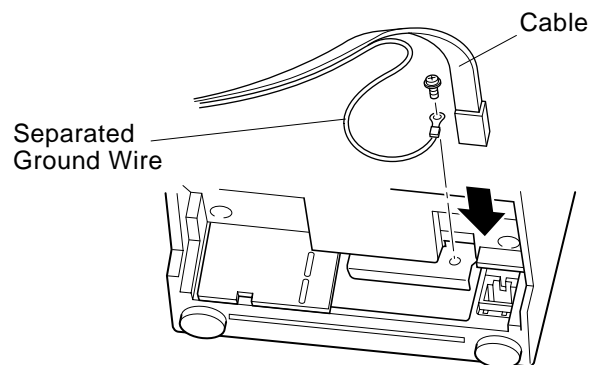
*Do not connect a telephone line into the peripheral drive connector. Failure to observe this may result in damage to the printer.*

*Also, for safety purposes, do not connect wiring to the external drive connector if there is a chance it may carry peripheral voltage.*

---

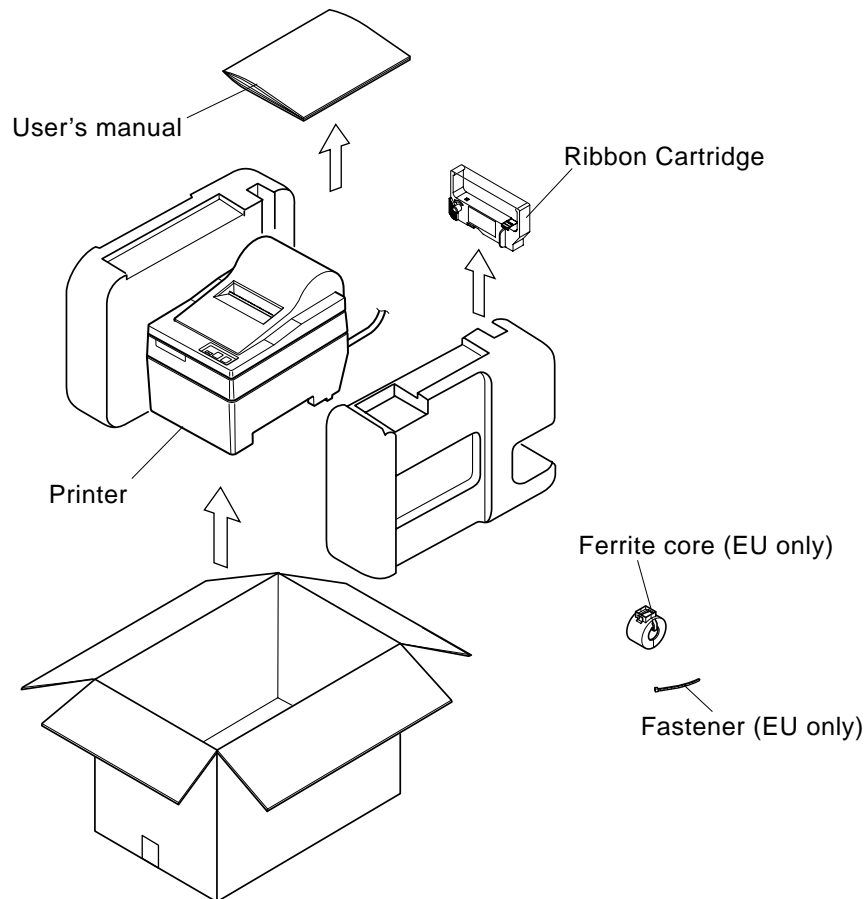
### **Connect the ground wire. (EU only)**

Take out the screw shown in the figure below, then fasten the ground wire terminal to the place where the screw was removed and tighten the screw.



## Unpacking

- ✓ Printer
- ✓ User's manual
- ✓ Ribbon cartridge
- ✓ Ferrite core (EU only)
- ✓ Fastener (EU only)



## Choosing a place for the printer

Before actually unpacking the printer, you should take a few minutes to think about where you plan to use it. Remember the following points when doing this.

- ✓ Choose a firm, level surface where the printer will not be exposed to vibration.
- ✓ The power outlet you plan to connect to for power should be nearby and unobstructed.
- ✓ Make sure that the printer is close enough to your host computer for you to connect the two.
- ✓ Make sure that the printer is not exposed to direct sunlight.
- ✓ Make sure that the printer is well away from heaters and other sources of extreme heat.
- ✓ Make sure that the surrounding area is clean, dry, and free of dust.
- ✓ Make sure that the printer is connected to a reliable power outlet. It should not be on the same electric circuit as copiers, refrigerators, or other appliances that cause power spikes.
- ✓ Make sure that the room where you are using the printer is not too humid.

## Consumable Parts

When consumable parts have run out, use those specified in the table below.

### (1) Roll paper specifications

Paper type:	Ordinary bond and carbonless copy paper
Paper width:	76±0.5 mm (3.0 inches)
Roll diameter:	ø85 mm (3.35 inches) max.
Internal diameter of roll:	ø12±1 mm

Note: The paper must not be glued to the core.

Thickness: Tear bar model	(single) 70 µm to 100 µm (copies) Original + 2 copies (Max. 200 µm)
---------------------------	--

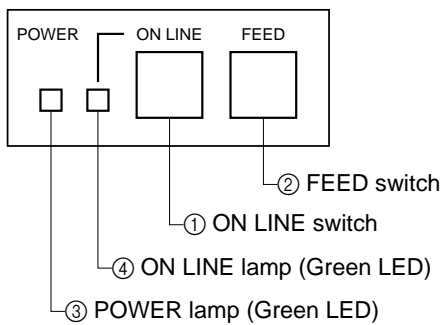
Auto cutter model	(single) 70 µm to 100 µm (copies) Original + 1 copies (Max. 100 µm)
-------------------	--

**Note:** The auto-cutter built into this auto cutter model has been designed for a maximum paper thickness of 100 µm. This thickness is rated to a maximum paper capacity of 2 ply paper, were each sheet is set at 50 µm . Exceeding the 100 µm paper thickness auto-cutter specification will not insure proper cutting.

### (2) Ink ribbon specifications

Ribbon type:	Cartridge cassette
Color:	SP212/242 type: Single color (Purple or black) SP216/246 type: Two color (Black and red)
Ribbon material:	Nylon 66 (#40 denier)
Ribbon life:	Single color: Purple 3,000,000 characters Black 1,200,000 characters Two color: Black on two color 600,000 characters Red on two color 300,000 characters

## Control Panel

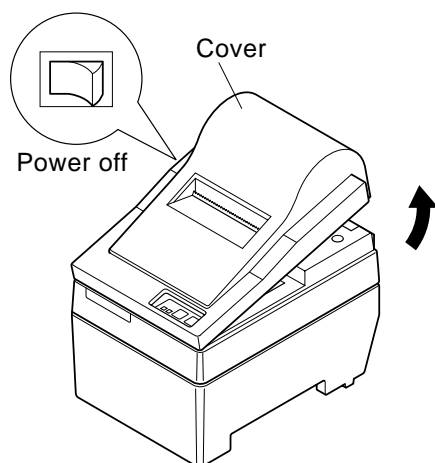


- ① ON LINE switch  
Switches the printer between ON LINE and OFF LINE. ON LINE and OFF LINE switching is possible only when paper is loaded in the printer.
- ② FEED switch
  - When this switch is pressed and then released within 0.5 sec., the paper feeds on line.
  - When this switch is held depressed for more than 0.5 sec., the paper feeds continuously. (The above paper feed operation is possible for both ON LINE and OFF LINE modes.)

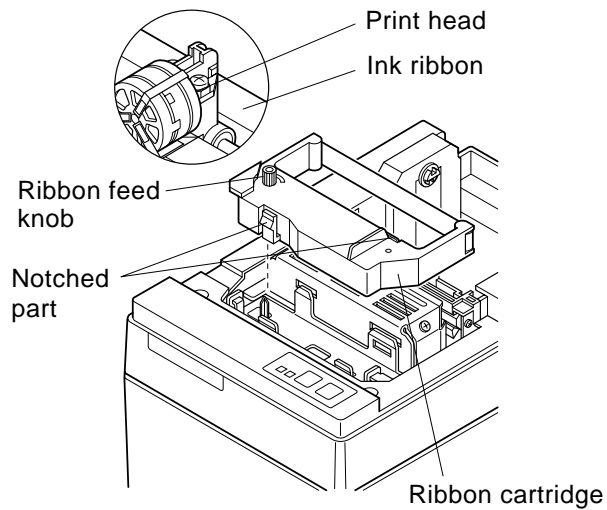
- ③ POWER lamp (green LED)
  - Lights when the power to the printer is on.
  - Flashes when paper is out, mechanical error occurs, when there is an alarm due to head temperature detection, or when a CPU error has occurred.
  - If the paper is out, load new paper and press the ON LINE switch.
  - When the POWER lamp flashes due to occurrence of a mechanical error, turn off the power and remove the cause of a mechanical error and then turn on the power again to reset the printer.
  - If the POWER lamp flashes due to the alarm of the head temperature detection, the printer will be set automatically when the head temperature becomes low.
- ④ ON LINE lamp (green LED)
  - LED lit: Printer is ON LINE
  - LED off: Printer is OFF LINE
  - LED flashes: CPU error

When the POWER lamp and ON LINE lamp light simultaneously, a CPU error has occurred.

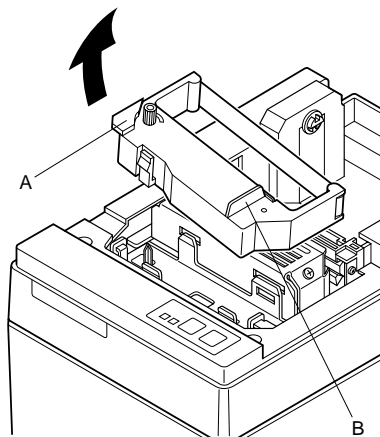
## Loading the Ribbon Cartridge (Tear Bar Model)



- ① Turn off power to the printer.
- ② Lift the cover up approx. 3 cm. Hold the cover tilted at this angle, then pull it toward you to remove it.

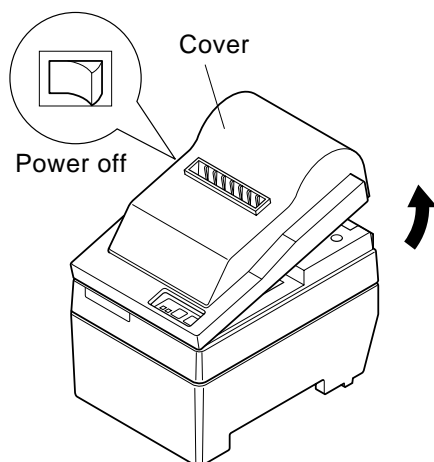


- ③ Place the ribbon cartridge in the direction shown in figure and press it down to load it. If loading of the ribbon cartridge is not satisfactory, press down the cartridge while rotating the ribbon feed knob in the direction of the arrow.
- ④ Turn the ribbon feed knob of the ribbon cartridge in the direction of the arrow to remove slack in the ribbon.
- ⑤ Mount the cover by reversing the procedure outlined in step ② above.

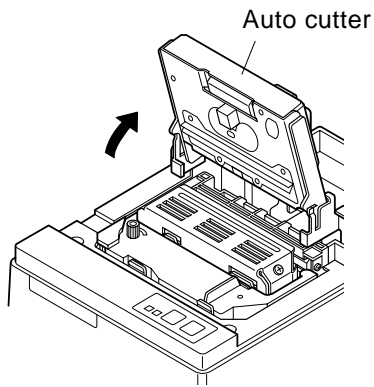


**Note:** When removing the ribbon cartridge, raise the A section and then remove it by holding the B section as shown in figure.

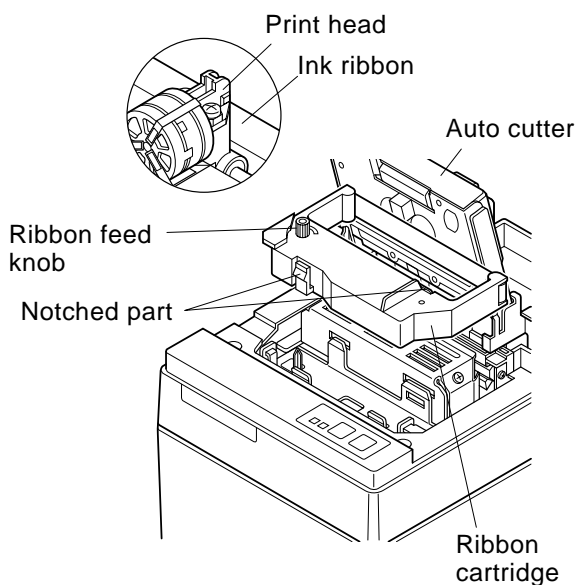
## Loading the Ribbon Cartridge (Auto Cutter Model)



- ① Turn off power to the printer.
- ② Lift the cover up approx. 3 cm. Hold the cover tilted at this angle, then pull it toward you to remove it.



- ③ Lift up the auto cutter and put it in a vertical position, as shown in figure.

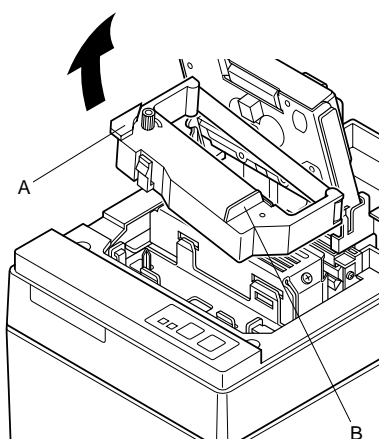


- ④ Place the ribbon cartridge in the direction shown in figure and press it down to load it. If loading of the ribbon cartridge is not satisfactory, press down the cartridge while rotating the ribbon feed knob in the direction of the arrow.

- ⑤ Turn the ribbon feed knob of the ribbon cartridge in the direction of the arrow to remove slack in the ribbon.

- ⑥ Close the Auto Cutter.

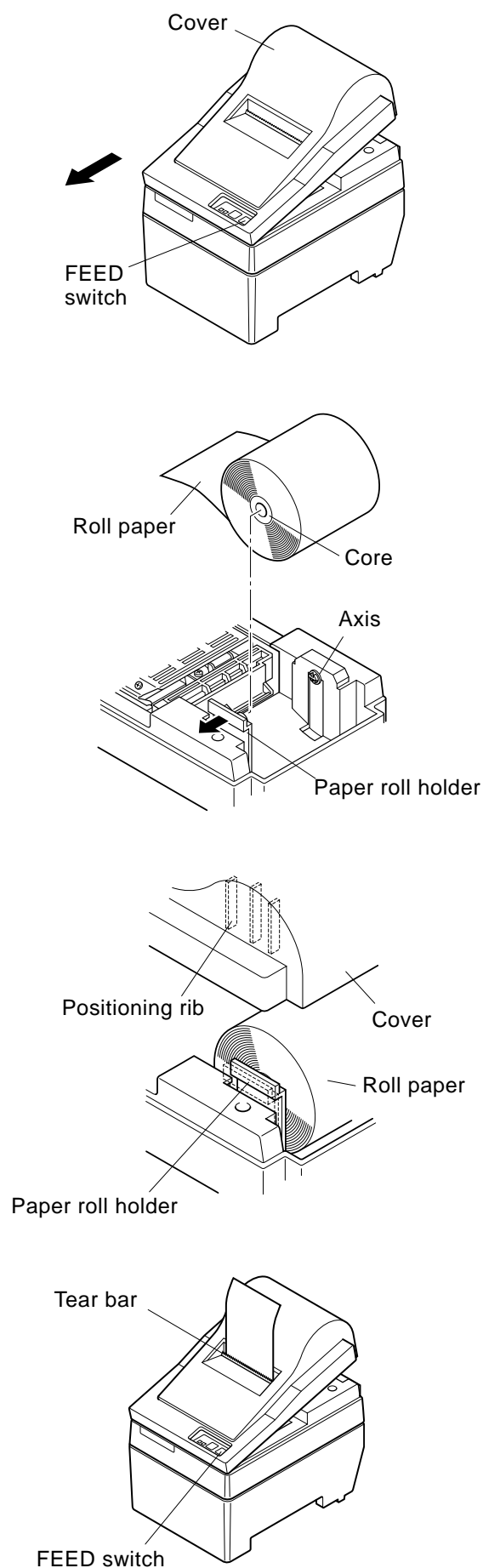
- ⑦ Mount the cover by reversing the procedure outlined in step ② above.



**Note:** When removing the ribbon cartridge, raise the A section and then remove it by holding the B section as shown in figure.



## Loading the Paper (Tear Bar Model)



① Lift the cover up approx. 3cm. Hold the cover tilted at this angle, then pull it toward you to remove it.

② Cut off the front edge of the roll paper perpendicularly.

③ Confirm that the power of the printer is turned on.

④ While observing the direction of the roll paper, insert the top end of the paper beneath the paper guide as far as it will go. If the roll paper is installed, the top end of the paper automatically comes out from the paper exit.

⑤ Move the paper roll holder in the direction of the arrow, and insert the roll so that the holes in the core align with the axes of the paper roll holder. Release the paper roll holder to secure the paper.

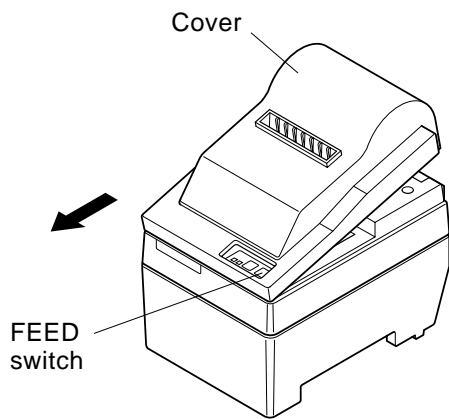
⑥ If the paper roll core has not been properly aligned with the paper roll holder, the cover cannot be properly seated until the paper position is corrected.

⑦ Press the FEED (paper feed) switch to feed the paper approximately 10cm.

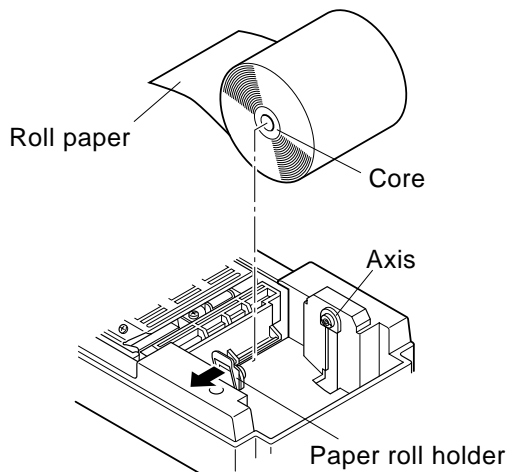
⑧ Insert the top edge of the paper into the tear bar slot, then mount the cover by reversing the procedure for removing the cover in step ① above.

**Note:** When the paper end mark appears on the paper, replace the roll paper before it runs out.

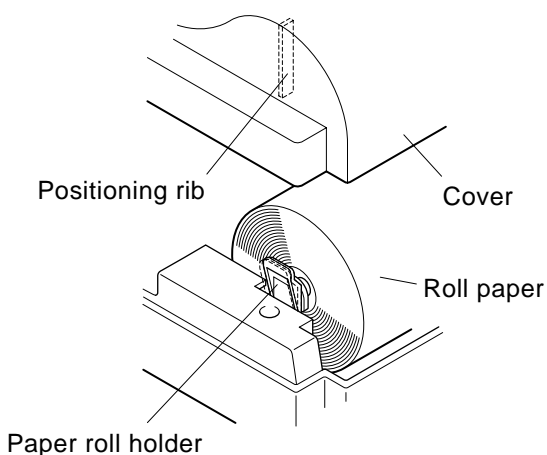
## Loading the Paper (Auto Cutter Model)



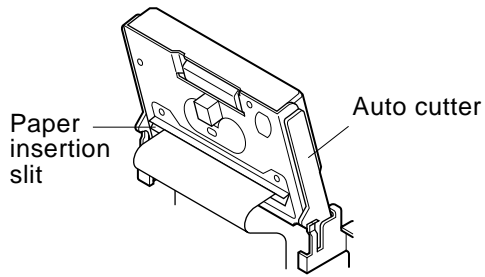
- ① Lift the cover up approx. 3cm. Hold the cover tilted at this angle, then pull it toward you to remove it.



- ② Cut off the front edge of the roll paper perpendicularly.
- ③ Confirm that the power of the printer is turned on.
- ④ While observing the direction of the roll paper, insert the top end of the paper beneath the paper guide as far as it will go. If the roll paper is installed, the top end of the paper automatically comes out from the paper exit. After 2cm of paper are fed out, the paper is automatically cut off.
- ⑤ Move the paper roll holder in the direction of the arrow, and insert the roll so that the holes in the core align with the axes of the paper roll holder. Release the paper roll holder to secure the paper.
- ⑥ If the paper roll core has not been properly aligned with the paper roll holder, the cover cannot be properly seated until the paper position is corrected.

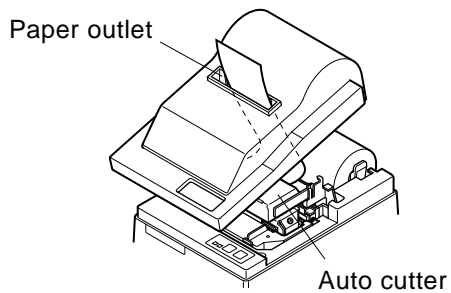
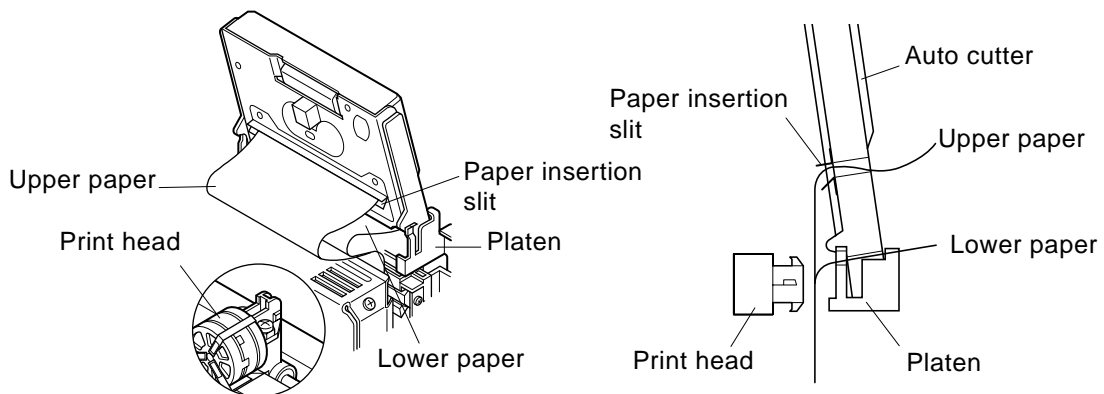


- ⑦ Press the FEED (paper feed) switch to feed the paper approximately 10cm.



⑧ Insert the tip of the roll paper in the auto cutter paper slit.

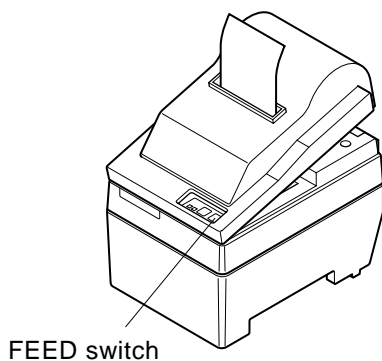
- When using copying paper, insert only the original (the upper paper) into the slit of the auto cutter. Insert the paper which is to be copied (the lower paper) between the platen and the auto cutter.



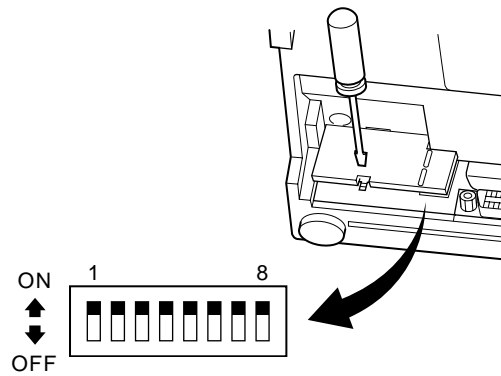
⑨ Pull on the edge of the paper to remove any slack and then lower the auto cutter.

⑩ Insert the paper through the paper outlet and then replace the cover by reversing the removal steps.

**Note:** When the paper end mark appears on the paper, replace the roll paper before it runs out.



# Dip Switch Settings - Parallel Interface Type



## ■ DIP-SW

Switch	Function	ON	OFF
1	Paper out detection	Valid	Invalid
2	Control code CR	Invalid	Valid
3	International character set	See below	
4			
5			
6	Data buffer	Available (approx. 1k byte)	Unavailable (1 line)
7	Character generation setting	See below	
8			

The factory settings of DIP switch are all on.

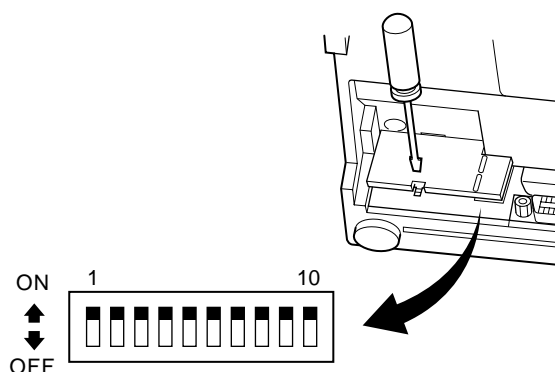
### International character set

Switch	U.S.A.	France	Germany	England	Denmark	Sweden	Italy	Spain
3	ON	OFF	ON	OFF	ON	OFF	ON	OFF
4	ON	ON	OFF	OFF	ON	ON	OFF	OFF
5	ON	ON	ON	ON	OFF	OFF	OFF	OFF

### Character generation

Switch	US	EC	JP	JP
7	ON	ON	OFF	OFF
8	ON	OFF	ON	OFF

## Dip Switch Settings - Serial Interface Type



### ■ DIP-SW

Switch	Function	ON	OFF
1	Command mode	STAR mode	VeriFone mode
2	Control code CR	Invalid	Valid
3	International character set	See below	
4			
5			
6	Data transmission rate	See below	
7			
8	Data bit	8-data bit	7-data bit
9	Parity check	No	Yes
10	Parity	Odd	Even

The factory settings of DIP switch are all on.

### International character set

Switch	U.S.A.	France	Germany	England	Denmark	Sweden	Italy	Spain
3	ON	OFF	ON	OFF	ON	OFF	ON	OFF
4	ON	ON	OFF	OFF	ON	ON	OFF	OFF
5	ON	ON	ON	ON	OFF	OFF	OFF	OFF

### Data transmission rate (baud rate)

Baud rate	Switch 6	Switch 7
1200	OFF	OFF
2400	OFF	ON
4800	ON	OFF
9600	ON	ON

## Specifications

Printing method	Serial impact dot matrix printing
Number of columns	42 (16 cpi) 35 (13.4 cpi)
Printing direction	Bi-directional with friction feed
Printing width	Max. 66 mm
Dot spacing	0.316(H) × 0.423(V) mm
Character size	1.28W × 2.87H mm (7×7, 16 cpi) 1.59W × 2.87H mm (9×7, 13.4 cpi)
Character set	Alphanumeric characters: 95 International characters: 12 Special characters: 64 IBM special characters: 83
Print speed	Approx. 2.5 lines/sec
Paper feed speed	Approx. 9 lines/sec
Line spacing	1/6 inch
Character structure	7×7 or 9×7
Interface	RS232C / Centronics compatible
Received buffer size	Approx. 1K byte
Printer Reliability	9 million lines Calculated Real Time MCBF 2.5 million lines MCBF
Print head life	75 million characters
Cutter life	0.3 million cutting (Full or Partial Cut)
Temperature	Operating: 0 to 50 °C Storage: -20 to 70 °C
Humidity	Operating: 10 to 90% RH (without condensation) Storage: 5 to 95% RH (without condensation)
Dimension	Tear bar model: 158 × 234 × 193 (W×D×H mm) Auto cutter model: 158 × 239.7 × 193 (W×D×H mm)
Weight	Tear bar model: Approx. 3 Kg Auto cutter model: Approx. 3.4 Kg

Please access the following URL  
[http://www.star-micronics.co.jp/service/frame\\_sp\\_spr\\_e.htm](http://www.star-micronics.co.jp/service/frame_sp_spr_e.htm)  
 for the latest printer drivers and utilities.

*IMPRIMANTE MATRICIELLE*

**SÉRIE SP200**

***MODE D'EMPLOI***



**Federal Communications Commission  
Interférences radioélectriques  
Déclaration**

Cet appareil a été testé et déclaré conforme aux normes des appareils numériques de Classe A, conformément à l'article 15 du règlement de la FCC. Ces normes ont été établies en vue de fournir une protection convenable contre les parasites en usage commercial. Cet appareil génère, utilise et peut émettre des ondes radioélectriques, et s'il n'est pas installé et utilisé conformément aux instructions, peut produire des parasites en communications radio. L'utilisation de cet appareil dans une zone résidentielle produira vraisemblablement des parasites, dont l'élimination devra être prise en charge par l'utilisateur lui-même et à ses frais.

Pour être conforme à la norme antiparasitage fédérale, cet appareil doit être utilisé avec un câble blindé.

*Cette déclaration ne concerne que les imprimantes vendues aux États-Unis d'Amérique.*

**Déclaration du  
Ministère des Communications du Canada  
Règlement sur le brouillage radioélectrique**

Le présent appareil numérique n'émet pas de bruits radioélectriques dépassant les limites applicables aux appareils numériques de la Classe A prescrites dans le Règlement sur le brouillage radioélectrique édicté par le Ministère des Communications du Canada.

*Cette déclaration ne concerne que les imprimantes vendues au Canada.*

**Déclaration de conformité CE du fabricant**

**Directive du conseil de la CE 89/336/EEC du 3 mai 1989**

Ce produit a été conçu et fabriqué en accord avec les normes internationales EN 61000-6-3/10.2001 et EN 55024/09.98 selon les dispositions de la Directive de mai 1989 de la CE, relative à la compatibilité électromagnétique.

**Directives du conseil de la CE 73/23/EEC et 93/68/EEC du 22 juillet 1993**

Ce produit a été conçu et fabriqué en accord avec les normes internationales EN 60950 selon les dispositions de la Directive de juillet 1993 de la CE, relative à la basse tension.

*Valable pour les imprimantes commercialisées en Europe seulement.*

**Renseignements sur les marques de fabrique**

**SP200:** Star Micronics Co., Ltd.

**ESC/POS:** Seiko Epson Corporation

**Remarque**

- Tous droits réservés. La reproduction d'une partie de ce manuel sous quelque forme que ce soit, sans la permission expresse de STAR, est strictement interdite.
- Le contenu de ce manuel peut être modifié sans préavis.
- Des précautions ont été prises lors de l'impression de ce manuel pour garantir la précision de son contenu. Cependant, en cas d'erreur dans ce manuel, STAR apprécierait grandement d'en être informé.
- Cependant, STAR n'assume aucune responsabilité en cas d'erreurs dans ce manuel.

© Copyright 1994 Star Micronics Co., LTD.



## Informations concernant la sécurité

---

### **Attention!**

*Assurez-vous que l'imprimante est hors tension, qu'elle est débranchée de la prise secteur et que l'ordinateur est hors tension avant d'effectuer les connexions.*

---

### **Attention!**

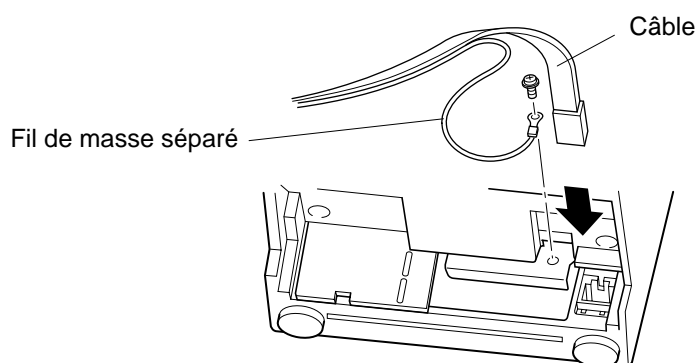
*Ne connectez pas une ligne de téléphone à la borne du pilote de périphérique, sous peine de risquer d'endommager l'imprimante.*

*Pour des raisons de sécurité, il convient également de ne pas brancher d'appareil périphérique en cas de risque de survolage.*

---

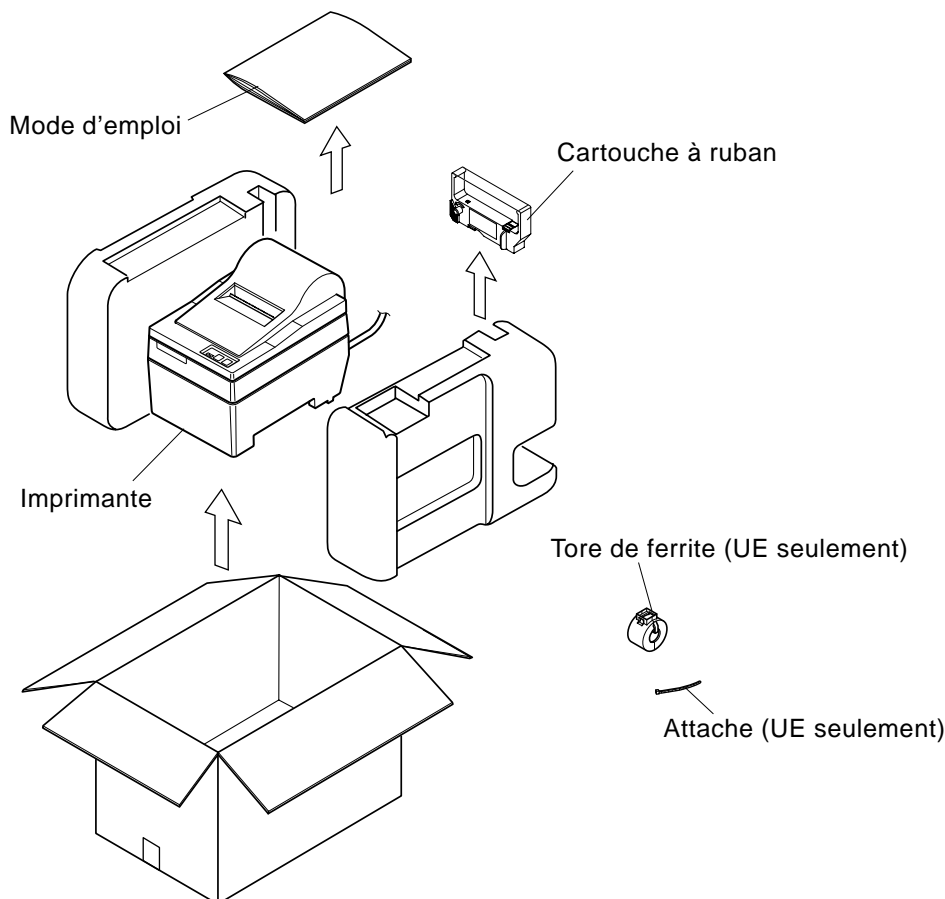
### **Attachez le fil de mise à la terre. (UE seulement)**

Déposez la vis indiquée dans le schéma ci-dessous, puis attachez la borne du fil de mise à la terre à l'endroit occupé précédemment par la vis et resserrez la vis.



## Déballage

- ✓ Imprimante
- ✓ Mode d'emploi
- ✓ Cartouche à ruban
- ✓ Tore de ferrite (UE seulement)
- ✓ Attache (UE seulement)



## Emplacement de l'imprimante

Avant de déballer l'imprimante, déterminez l'emplacement où vous souhaitez l'installer. Veuillez observer les points ci-dessous lors de votre choix.

- ✓ Choisissez une surface stable et de niveau sur laquelle l'imprimante ne sera exposée à aucune vibration.
- ✓ Assurez-vous que l'emplacement dispose d'une prise secteur proche et d'accès aisé.
- ✓ Assurez-vous que la distance entre l'imprimante et l'ordinateur-hôte vous permet de les raccorder aisément.
- ✓ Assurez-vous que l'imprimante n'est pas exposée directement aux rayons du soleil.
- ✓ Tenez l'imprimante à l'écart des sources de chaleur importante, telles que les appareils de chauffage, etc.
- ✓ Assurez-vous que le lieu où vous souhaitez installer l'imprimante est propre, sec et n'est pas poussiéreux.
- ✓ Assurez-vous que la prise secteur à laquelle vous raccordez l'imprimante délivre une tension stable. Evitez de raccorder l'imprimante à la prise secteur d'un circuit alimentant de gros consommateurs de courant, tels qu'un photocopieur, réfrigérateur, etc.
- ✓ Assurez-vous que le lieu où vous installez l'imprimante n'est pas excessivement humide.

## Consommables

Lorsque les consommables sont épuisés, utilisez ceux qui sont spécifiés dans le tableau ci-dessous.

### (1) Rouleau de papier, caractéristiques

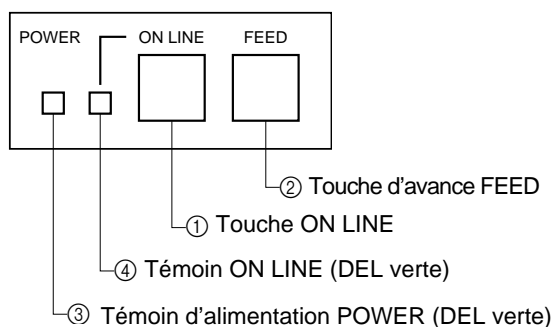
Papier ordinaire:	Papier de copie bond et sans carbone ordinaire
Largeur de papier:	76 ±0,5 mm (3,0 pouces)
Diamètre du rouleau:	ø85 mm (3,35 pouces) max.
Diamètre intérieur du rouleau:	ø12±1 mm
Remarque :	Il ne faut pas que le papier soit collé au noyau du rouleau.
Epaisseur: Modèle à plaque-couteau	(simple) 70 µm à 100 µm (copies) Original + 2 copies (200 µm max.)
Modèle à coupe-papier automatique	(simple) 70 µm à 100 µm (copies) Original + 1 copie (100 µm max.)

**Remarque :** Le coupe-papier automatique de ce modèle a été conçu pour une épaisseur de papier maximum de 100 µm. Cette épaisseur est calculée pour une capacité de papier maximale de papier à 2 jets, dont chaque feuille est réglée à 50 µm. La coupe ne sera pas correcte si vous utilisez du papier dépassant les spécifications de 100 µm d'épaisseur pour le papier du coupe-papier automatique.

### (2) Ruban encreur, caractéristiques

Type de ruban:	Cassette à cartouche
Couleur:	Type SP212/242 : Monochrome (violet ou noir) Type SP216/246 : Deux couleurs (noir et rouge)
Matériau du ruban:	Nylon 66 (denier #40)
Durée de service du ruban:	Monochrome: Violet 3 000 000 caractères Noir 1 200 000 caractères Deux couleurs: Noir sur deux couleurs 600 000 caractères Rouge sur deux couleurs 300 000 caractères

## Panneau de Commande



### ① Touche ON LINE

Cette touche permet de mettre l'imprimante en ligne ou hors ligne. Vous ne pouvez effectuer cette commutation que si du papier est chargé dans l'imprimante.

### ② Touche d'avance FEED

- Si vous appuyez sur cette touche, puis la relâchez moins de 0,5 seconde après, le papier avancera d'une ligne à la fois.
- Si vous maintenez la pression sur cette touche pendant plus de 0,5 seconde, le papier avancera de façon continue. (Cela est valable que l'imprimante soit en ligne ou hors ligne.)

### ③ Témoin d'alimentation POWER (DEL verte)

- Ce témoin s'allume quand l'imprimante est sous tension.
- Ce témoin clignote quand il n'y a plus de papier dans l'imprimante, quand une erreur mécanique ou une surchauffe de la tête d'impression est détectée, ou quand une erreur s'est produite au niveau de l'unité centrale de traitement.
- Si le papier est épuisé, mettez en place un nouveau rouleau, puis appuyez sur la touche ON LINE.
- Si le témoin POWER clignote en raison d'une erreur mécanique, mettez l'imprimante hors tension, puis éliminez la cause de l'erreur mécanique et remettez l'imprimante sous tension pour la réinitialiser.
- Si le témoin POWER clignote après avoir détecté une surchauffe de la tête d'impression, l'imprimante sera réinitialisée automatiquement quand la température de la tête d'impression aura baissé.

### ④ Témoin ON LINE (DEL verte)

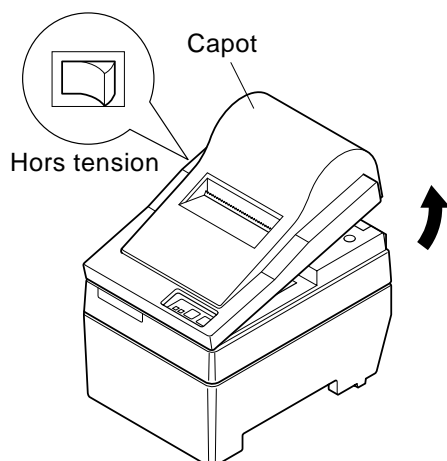
DEL allumée : L'imprimante est en ligne

DEL éteinte : L'imprimante est hors ligne

DEL clignotante : Erreur de l'unité centrale

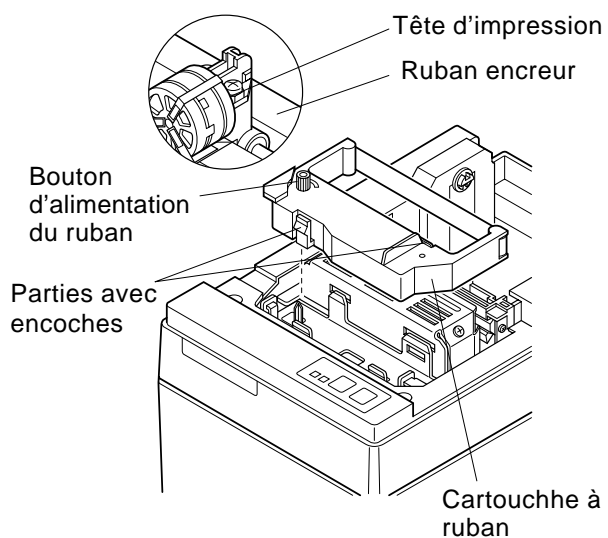
Quand les témoins POWER et ON LINE s'allument simultanément, une erreur s'est produite au niveau de l'unité centrale de traitement.

## Installation d'une cartouche à ruban (Modèle avec barre de découpage)

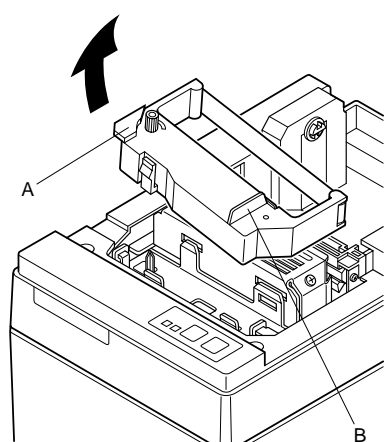


### ① Mettez l'imprimante hors tension.

- ### ② Soulevez le capot d'environ 3 cm. Tout en tenant le couvercle incliné à cet angle, tirez-le vers vous pour l'enlever.

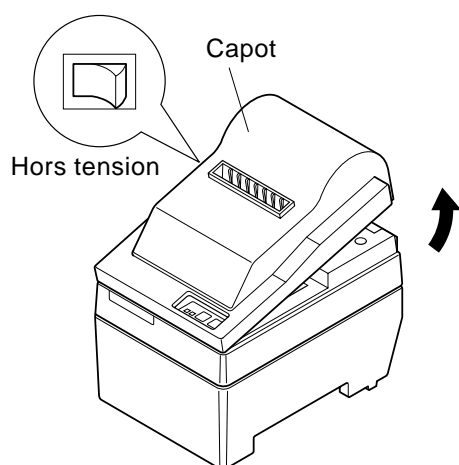


- ③ Mettez la cartouche à ruban en place dans le sens indiqué sur la figure et appuyez légèrement sur la cartouche afin qu'elle se mette en place. Si la mise en place de la cartouche n'est pas satisfaisante, appuyez sur la cartouche tout en faisant tourner le bouton d'alimentation du ruban de la cartouche dans le sens de la flèche.
- ④ Pour tendre le ruban, faites tourner le bouton d'alimentation du ruban de la cartouche dans le sens de la flèche.
- ⑤ Pour remettre en place le capot, suivant la procédure décrite à l'étape ② dans le sens inverse.

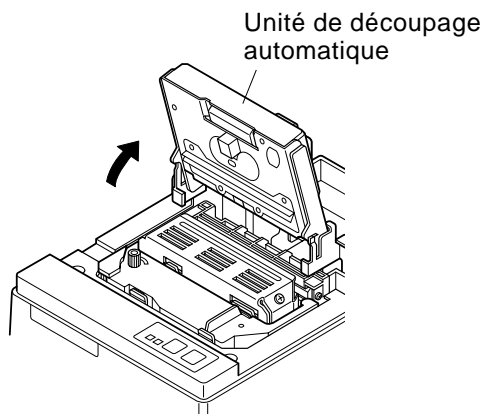


**Remarque:** Pour enlever la cartouche à ruban, soulevez la partie A, puis enlevez la cartouche en la tenant par la partie B comme indiqué sur la figure.

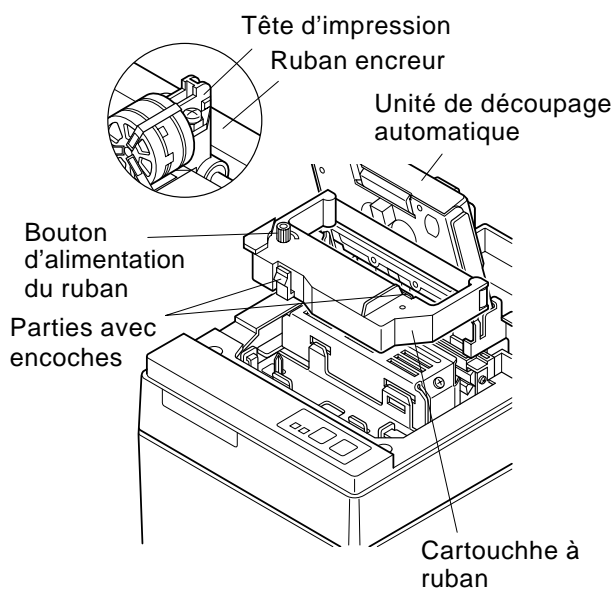
## Installation d'une cartouche à ruban (Modèle avec coupe-papier automatique)



- ① Mettez l'imprimante hors tension.
- ② Soulevez le capot d'environ 3 cm. Tout en tenant le couvercle incliné à cet angle, tirez-le vers vous pour l'enlever.



- ③ Soulevez l'unité de découpage automatique pour la mettre en position verticale, comme indiqué sur la figur.

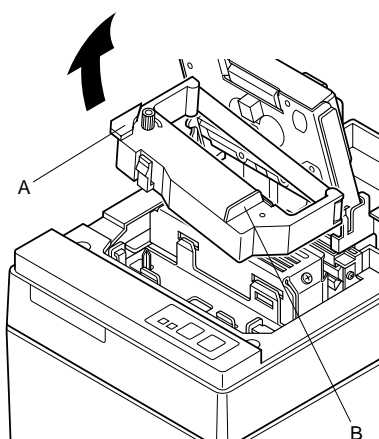


- ④ Mettez la cartouche à ruban en place dans le sens indiqué sur la figure et appuyez légèrement sur la cartouche afin qu'elle se mette en place. Si la mise en place de la cartouche n'est pas satisfaisante, appuyez sur la cartouche tout en faisant tourner le bouton d'alimentation du ruban de la cartouche dans le sens de la flèche.

- ⑤ Pour tendre le ruban, faites tourner le bouton d'alimentation du ruban de la cartouche dans le sens de la flèche.

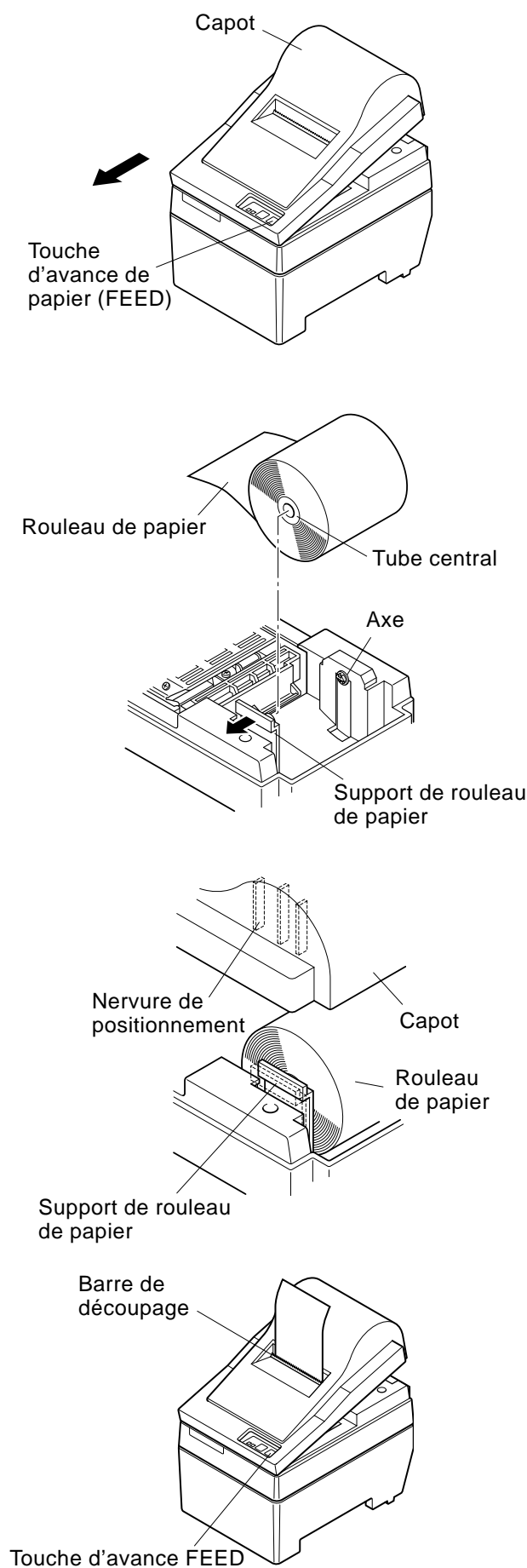
- ⑥ Refermez l'unité de découpage automatique.

- ⑦ Pour remettre en place le capot, suivez la procédure décrite à l'étape ② dans le sens inverse.



**Remarque:** Pour enlever la cartouche à ruban, soulevez la partie A, puis enlevez la cartouche en la tenant par la partie B comme indiqué sur la figure.

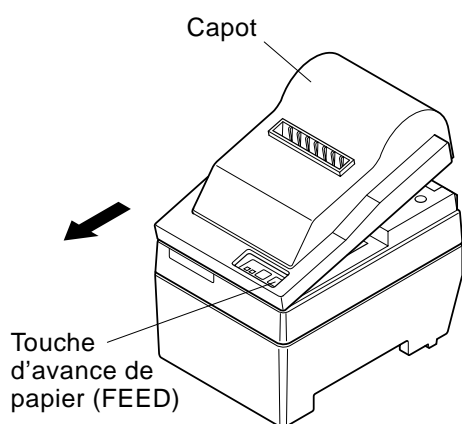
## Chargement du papier (Modèle avec barre de découpage)



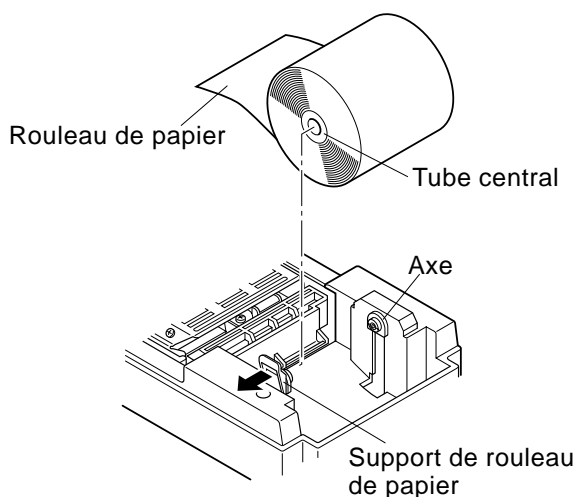
- ① Soulevez le capot d'environ 3 cm. Tout en tenant le couvercle incliné à cet angle, tirez-le vers vous pour l'enlever.
- ② Coupez l'extrémité du papier perpendiculairement.
- ③ Vérifiez si l'imprimante est bien sous tension.
- ④ Insérez l'extrémité du papier sous le guide de papier aussi loin que possible en faisant attention au sens du rouleau. Lorsque le rouleau est en place, le papier ressort automatiquement par la fente de sortie de l'imprimante.
- ⑤ Déplacez le support de rouleau de papier dans le sens de la flèche, et insérez le rouleau de telle façon que les orifices du tube s'alignent sur les axes du support de rouleau de papier. Relâchez le support de rouleau de papier pour maintenir en place le papier.
- ⑥ Si le tube du rouleau de papier n'a pas été aligné correctement sur le support de rouleau de papier, le capot ne pourra pas être bien refermé. Pour pouvoir refermer le capot, vous devrez corriger la position du papier.
- ⑦ Appuyez sur la touche d'avance FEED pour faire avancer le papier de 10 cm environ.
- ⑧ Insérez l'extrémité du papier dans la fente de sortie où se trouve la barre de découpage, puis remettez le capot en place en suivant la procédure de dépose du capot décrite à l'étape ① ci-dessus dans le sens inverse.

**Remarque:** Pour enlever la cartouche à ruban, soulevez la partie A, puis enlevez la cartouche en la tenant par la partie B comme indiqué sur la figure.

## Chargement du papier (Modèle avec coupe-papier automatique)



① Soulevez le capot d'environ 3 cm. Tout en tenant le couvercle incliné à cet angle, tirez-le vers vous pour l'enlever.



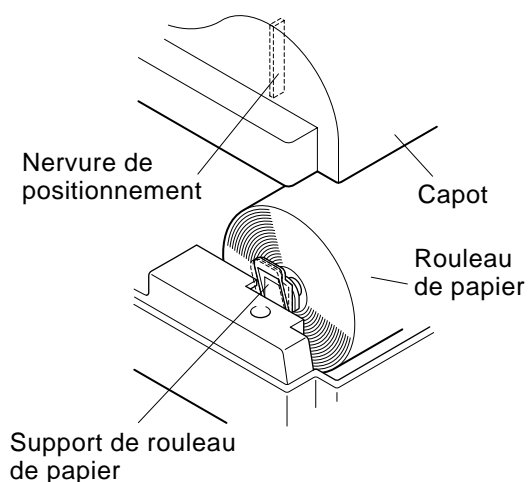
② Coupez l'extrémité du papier perpendiculairement.

③ Vérifiez si l'imprimante est bien sous tension.

④ Insérez l'extrémité du papier sous le guide de papier aussi loin que possible en faisant attention au sens du rouleau. Lorsque le rouleau est en place, le papier ressort automatiquement par la fente de sortie de l'imprimante. Après la sortie de 2 cm de papier, le papier est automatiquement coupé.

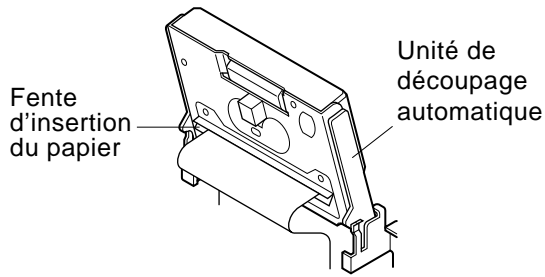
⑤ Déplacez le support de rouleau de papier dans le sens de la flèche, et insérez le rouleau de telle façon que les orifices du tube s'alignent sur les axes du support de rouleau de papier. Relâchez le support de rouleau de papier pour maintenir en place le papier.

⑥ Si le tube du rouleau de papier n'a pas été aligné correctement sur le support de rouleau de papier, le capot ne pourra pas être bien refermé. Pour pouvoir refermer le capot, vous devrez corriger la position du papier.

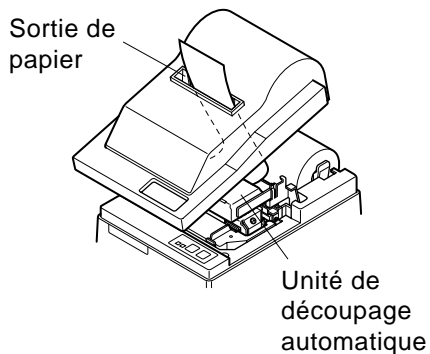
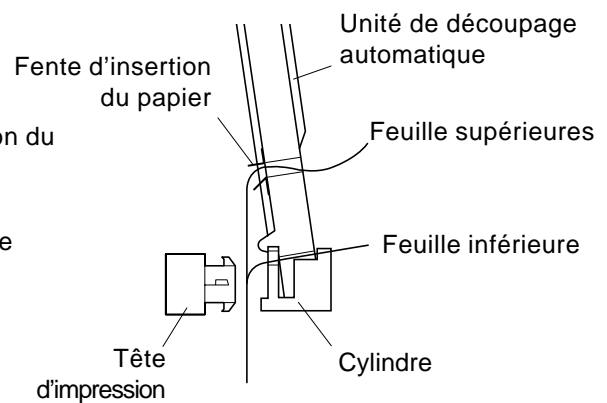
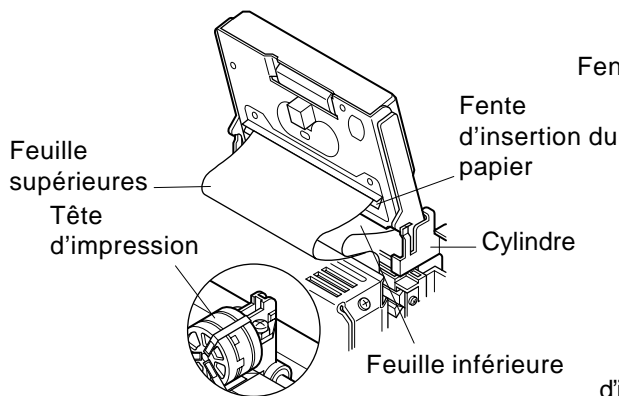


⑦ Appuyez sur la touche d'avance FEED pour faire avancer le papier de 10 cm environ.



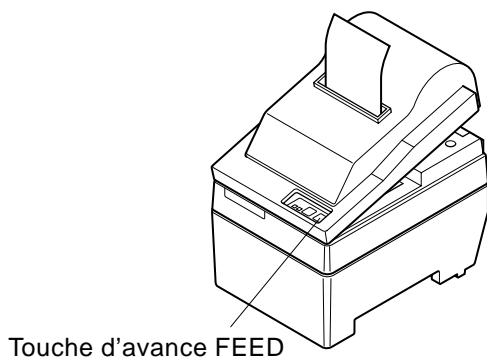


- ⑧ Insérez l'extrémité du papier dans la fente de l'unité de découpage automatique.
- Quand vous utilisez du papier pour copie, insérez seulement l'original (feuille supérieure) dans la fente de l'unité de découpage automatique. Insérez le papier de copie (feuille inférieure) entre le cylindre et l'unité de découpage automatique.

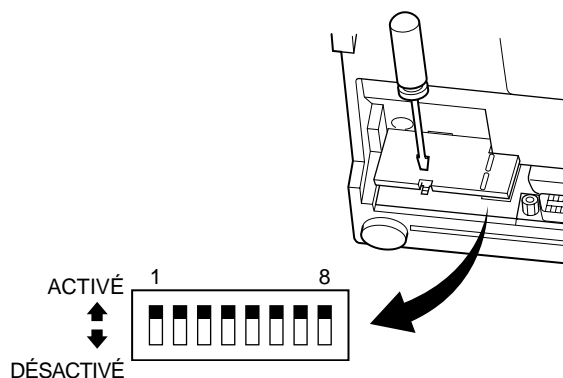


- ⑨ Tirez sur l'extrémité du papier afin de tendre le papier, puis rabaissez l'unité de découpage automatique.
- ⑩ Insérez le papier dans la sortie de papier, puis remettez le capot en place en suivant la procédure de dépose du capot dans le sens inverse.

**Remarque:** Quand le repère de fin de papier apparaît sur le papier, remplacez le rouleau de papier avant qu'il soit terminé.



## Affectation des broches des commutateurs DIP – Type à interface parallèle



### ■ Commutateurs DIP

Commutateur	Fonction	ACTIVÉ	DÉSACTIVÉ
1	Détection de sortie du papier	Valide	Invalide
2	Code de commande CR	Invalide	Valide
3	Jeu de caractères internationaux	Voir ci-dessous.	
4			
5			
6	Mémoire tampon	Disponible (environ 1 koctet)	Non disponible (1 ligne)
7	Réglage de génération de caractères	Voir ci-dessous.	
8			

Tous les réglages de commutateur DIP sont activés au départ de l'usine.

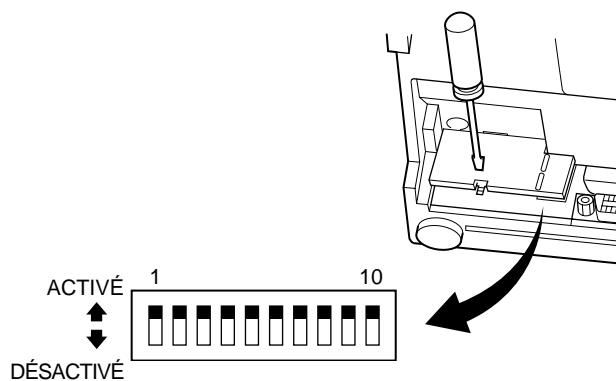
### Jeu de caractères internationaux

Commutateur	E-U	France	Allemagne	Angleterre	Danemark	Suède	Italie	Espagne
3	ACTIVÉ	DÉSACTIVÉ	ACTIVÉ	DÉSACTIVÉ	ACTIVÉ	DÉSACTIVÉ	ACTIVÉ	DÉSACTIVÉ
4	ACTIVÉ	ACTIVÉ	DÉSACTIVÉ	DÉSACTIVÉ	ACTIVÉ	ACTIVÉ	DÉSACTIVÉ	DÉSACTIVÉ
5	ACTIVÉ	ACTIVÉ	ACTIVÉ	ACTIVÉ	DÉSACTIVÉ	DÉSACTIVÉ	DÉSACTIVÉ	DÉSACTIVÉ

### Génération de caractères

Commutateur	US	EC	JP	JP
7	ACTIVÉ	ACTIVÉ	DÉSACTIVÉ	DÉSACTIVÉ
8	ACTIVÉ	DÉSACTIVÉ	ACTIVÉ	DÉSACTIVÉ

## Affectation des broches des commutateurs DIP – Type à interface série



### ■ Commutateurs DIP

Commutateur	Fonction	ACTIVÉ	DÉSACTIVÉ
1	Mode de commande	Mode STAR	Mode VeriFone
2	Code de commande CR	Invalide	Valide
3	Jeu de caractères internationaux	Voir ci-dessous.	
4			
5			
6	Débit en bauds	Voir ci-dessous.	
7			
8	Longueur des données	8 bits	7 bits
9	Contrôle de parité	Désactivé	Activé
10	Parité	Impair	Pair

Tous les réglages de commutateur DIP sont activés au départ de l'usine.

### Jeu de caractères internationaux

Commutateur	E-U	France	Allemagne	Angleterre	Danemark	Suède	Italie	Espagne
3	ACTIVÉ	DÉSACTIVÉ	ACTIVÉ	DÉSACTIVÉ	ACTIVÉ	DÉSACTIVÉ	ACTIVÉ	DÉSACTIVÉ
4	ACTIVÉ	ACTIVÉ	DÉSACTIVÉ	DÉSACTIVÉ	ACTIVÉ	ACTIVÉ	DÉSACTIVÉ	DÉSACTIVÉ
5	ACTIVÉ	ACTIVÉ	ACTIVÉ	ACTIVÉ	DÉSACTIVÉ	DÉSACTIVÉ	DÉSACTIVÉ	DÉSACTIVÉ

### Débit en bauds

Débit en bauds	Commutateur 6	Commutateur 7
1200	DÉSACTIVÉ	DÉSACTIVÉ
2400	DÉSACTIVÉ	ACTIVÉ
4800	ACTIVÉ	DÉSACTIVÉ
9600	ACTIVÉ	ACTIVÉ

## Caractéristiques

Méthode d'impression	Impression par matrice de points série à impact
Nombre de colonnes	42 (16 cpp) 35 (13,4 cpp)
Direction d'impression	Bidirectionnelle avec entraînement par friction
Largeur de la ligne d'impression	66 mm max
Espacement des points	0,316 (H) × 0,423 (V) mm
Taille de caractère	1,28 L × 2,87 H mm (7 × 7, 16 cpp) 1,59 L × 2,87 H mm (9 × 7, 13,4 cpp)
Jeu de caractères	Caractères alphanumériques : 95 Caractères internationaux : 12 Caractères spéciaux : 64 Caractères IBM spéciaux : 83
Vitesse d'impression	Environ 2,5 lignes/seconde
Vitesse d'avance du papier	Environ 9 lignes/seconde
Interligne	1/6 pouce
Structure des caractères	7×7 ou 9×7
Interface	Compatible RS-232C/Centronics
Taille de mémoire tampon réceptrice	Environ 1 koctet
Fiabilité	9 millions de lignes temps réel calculé MCBF 2,5 millions de lignes MCBF
Durée de service de la tête d'impression	75 millions de caractères
Durée de service du massicot	0,3 million de coupes (coupe totale ou partielle)
Température	Fonctionnement: 0 à 50°C Stockage: -20 à 70°C
Humidité	Fonctionnement: 10 à 90% HR (sans condensation) Stockage: 5 à 95% HR (sans condensation)
Dimensions	Modèle à plaque-couteau: 158 × 234 × 193 (L×P×H mm) Modèle à coupe-papier automatique: 158 × 239.7 × 193 (L×P×H mm)
Poids	Modèle à plaque-couteau: Environ 3 Kg Modèle à coupe-papier automatique: Environ 3,4 Kg

Pour obtenir les informations les plus récentes au sujet des pilotes et des logiciels utilitaires, veuillez consulter l'adresse URL [http://www.star-micronics.co.jp/service/frame\\_sp\\_spr\\_e.htm](http://www.star-micronics.co.jp/service/frame_sp_spr_e.htm).

*NADELDRUCKER*  
**BAUREIHE SP200**  
***BEDIENUNGSANLEITUNG***



**Federal Communications Commission  
Erklärung zur elektromagnetischen Störungssicherheit**

Dieses Gerät wurde typengeprüft und entspricht den Vorschriften nach Klasse A für digitale Geräte, Teil 15 der US-amerikanischen FCC-Vorschrift. Diese Störgrenzen sollen ausreichenden Schutz gegen elektromagnetische Störungen bei Betrieb in gewerblichen Umgebungen bieten. Das Gerät erzeugt, arbeitet mit und verbreitet elektromagnetische Wellen und kann bei unsachgemäßem Betrieb Störungen im Funkverkehr verursachen.

Bei Betrieb dieses Geräts in Wohngebieten können elektromagnetische Störungen verursacht werden, die der Anwender auf eigene Kosten korrigieren muss.

Zur Erfüllung der US-amerikanischen Vorschriften zur Störungssicherheit ist für dieses Gerät ein abgeschirmtes Kabel erforderlich.

*Diese Erklärung gilt nur für Drucker, die in den USA vermarktet werden.*

**Erklärung der kanadischen Kommunikationsbehörde  
Richtlinien zur Störungssicherheit**

Dieses digitale Gerät überschreitet nicht die Grenzen der Klasse A für Funkstörungen von Digitalgeräten, wie in den Richtlinien zur Funkstörungssicherheit der kanadischen Kommunikationsbehörde festgelegt.

*Die obige Erklärung gilt nur für Drucker, die in Kanada vermarktet werden.*

**CE  
Konformitätserklärung des Herstellers**

**Direktive des EG-Rats 89/336/EEC vom 3. Mai 1989**

Dieses Produkt, konstruiert und hergestellt entsprechend den internationalen Normen EN 61000-6-3/10.2001 und EN 55024/09.98 entspricht den Vorschriften der Direktive für elektromagnetische Verträglichkeit der Europäischen Gemeinschaft, Stand Mai 1989.

**Direktive des EG-Rats 73/23/EEC und 93/68/EEC vom 22. Juni 1993**

Dieses Produkt, konstruiert und hergestellt entsprechend den internationalen Normen EN 60950 entspricht den Vorschriften der Direktive für Niederspannungen der Europäischen Gemeinschaft, Stand Juli 1993.

*Die obigen Feststellungen gelten für Drucker, die in der EU vertrieben werden.*

**Eingetragene Warenzeichen**

**SP200:** Star Micronics Co., Ltd.

**ESC/POS:** Seiko Epson Corporation

**Hinweis**

- Alle Rechte vorbehalten. Kein Teil dieses Handbuches darf in irgendeiner Form ohne ausdrückliche Genehmigung der Firma STAR reproduziert werden.
- Änderungen jederzeit ohne Angabe von Gründen möglich.
- Bei der Zusammenstellung von Texten und Abbildungen wurde mit größter Sorgfalt vorgegangen. Trotzdem können Fehler nicht vollständig ausgeschlossen werden. Für Hinweise auf eventuell vorgefundene Fehler ist der Herausgeber dankbar.
- Die Firma STAR kann keine Verantwortung für Fehler in diesem Handbuch und eventuell daraus entstehende Folgen verantwortlich gemacht werden.

© Copyright 1994 Star Micronics Co., LTD.

## Sicherheitsinformation

---

### **Wichtig!**

*Vor dem Anschließen der Kabel sicherstellen, daß der Drucker ausgeschaltet und vom Netz getrennt ist.*

---

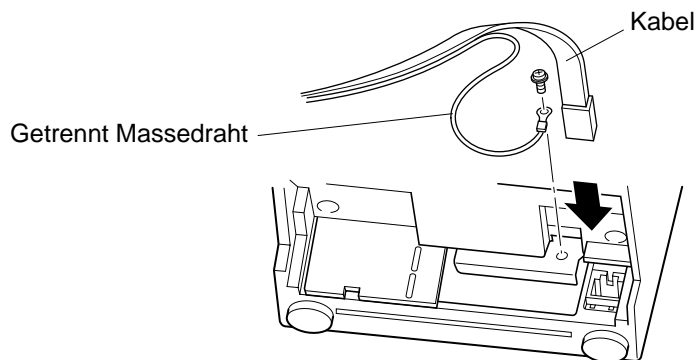
### **Wichtig!**

*Nicht eine Telefonleitung an die Peripheriebuchse anschließen. Wenn dies geschieht, besteht die Gefahr von Schäden am Drucker. Aus Sicherheitsgründen außerdem nicht Verdrahtung an die Peripheriebuchse anschließen, wenn die Möglichkeit besteht, daß zu starke Spannung anliegt.*

---

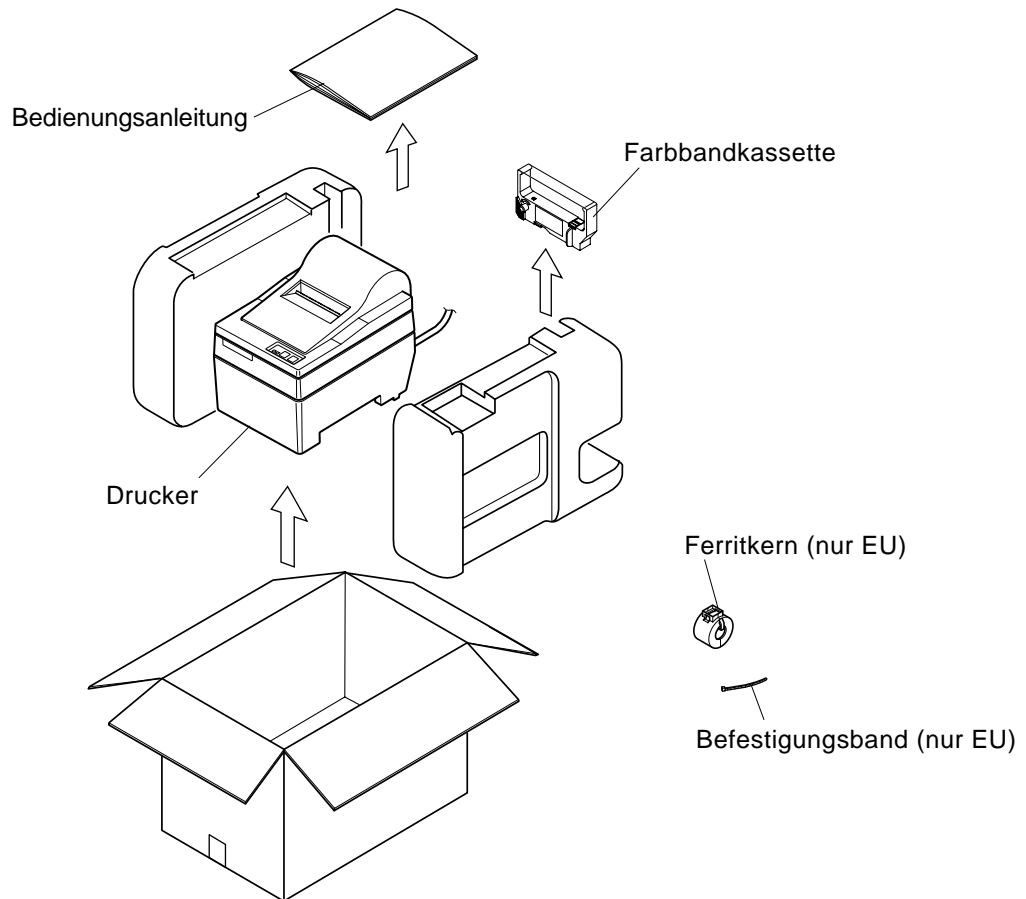
### **Den Erdungsdraht anschließen. (nur EU)**

Die Schraube herausnehmen, wie in der Abbildung unten gezeigt, und dann die Erdungsdrahtklemme an der Stelle befestigen, wo die Schraube entfernt wurde, und die Schraube erneut befestigen.



## Auspacken

- ✓ Drucker
- ✓ Bedienungsanleitung
- ✓ Farbbandkassette
- ✓ Ferritkern (nur EU)
- ✓ Befestigungsband (nur EU)



## Wahl eines Aufstellungsorts für den Drucker

Bevor Sie den Drucker auspacken, sollten Sie einige Minuten damit verbringen, einen geeigneten Aufstellungsort auszusuchen. Denken Sie dabei an die folgenden Punkte:

- ✓ Den Drucker auf einem flachen, aber festen Untergrund aufstellen, wo keine Vibrationen vorhanden sind.
- ✓ Die verwendete Steckdose soll in der Nähe und frei zugänglich sein.
- ✓ Sicherstellen, daß der Drucker nahe genug am Computer ist, um die Geräte mit dem Druckerkabel verbinden zu können.
- ✓ Sicherstellen, daß der Drucker vor direktem Sonnenlicht geschützt ist.
- ✓ Sicherstellen, daß der Drucker ausreichend weit von Heizkörpern entfernt steht.
- ✓ Dafür sorgen, daß die Umgebung des Druckers sauber, trocken und staubfrei ist.
- ✓ Sicherstellen, daß der Drucker an eine einwandfreie Stromzufuhr angeschlossen ist. Er sollte nicht an Steckdosen angeschlossen werden, an denen bereits Geräte mit möglichen Netzstörungen wie Kopierer, Kühlschränke u.a. angeschlossen sind.
- ✓ Den Drucker nicht an Orten mit hoher Luftfeuchtigkeit aufstellen.



## Verbrauchsteile

Wenn die Verbrauchsteile verbraucht sind, kaufen Sie Nachschub entsprechend der Tabelle unten.

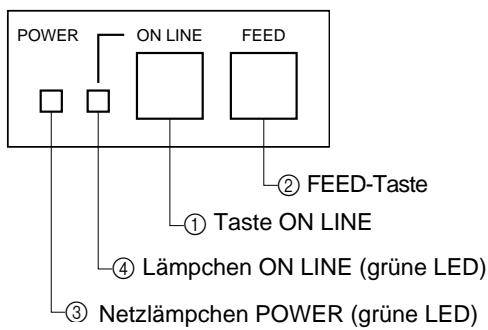
### (1) Rollenpapier-Spezifikationen

Papiersorte:	Normales Schreibmaschinenpapier und carbonfreies Kopierpapier
Papierbreite:	76 ±0,5 mm
Rollendurchmesser:	max. ø85 mm
Innendurchmesser der Rolle:	ø12 ±1 mm
	<b>Hinweis:</b> Das Papier darf nicht am Kern festgeklebt sein.
Dicke: Abreißkanten-Modell	(einzel) 70 µm bis 100 µm (Kopien) Original + 2 Kopien (max. 200 µm)
Auto-Schneidwerkmodell	(einzel) 70 µm bis 100 µm (Kopien) Original + 1 Kopien (max. 100 µm)
	<b>Hinweis:</b> Die in diesem Auto-Schneidwerkmodell eingebaute automatische Schneidvorrichtung ist auf eine Papierdicke von 100 µm ausgelegt. Die Dicke ist für eine maximale Papierkapazität von 2-Lagen-Papier ausgelegt, wo jedes Blatt auf 50 µm eingestellt ist. Wenn die 100µm-Papierdicke überschritten wird, kann keine richtige Schneidfunktion mit dem Schneidwerk garantiert werden.

### (2) Farbband-Spezifikationen

Farbbandtyp:	Kartuschenkassette
Farbe:	Typ SP212/242: Einfarbig (Violett oder Schwarz) Typ SP216/246: Zweifarbig (Schwarz und Rot)
Farbbandmaterial:	Nylon 66 (Nr. 40 denier)
Farbbandlebensdauer:	Einfarbig: Violett 3.000.000 Zeichen Schwarz 1.200.000 Zeichen Zweifarbige: Schwarz auf zweifarbig 600.000 Zeichen Rot auf zweifarbig 300.000 Zeichen

## Bedienfeld

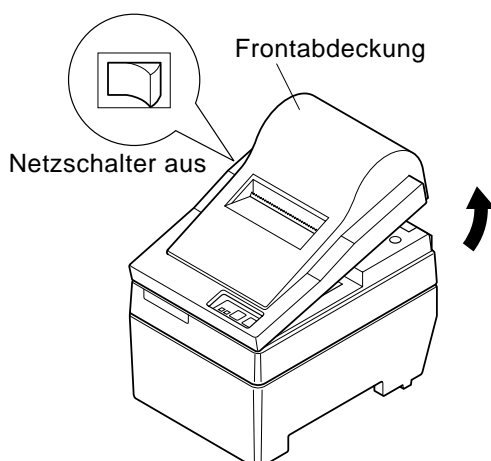


- ① Taste ON LINE  
Schaltet den Drucker zwischen On-line und Off-line Betrieb um. Umschalten ist nur möglich, wenn Papier im Drucker eingelegt ist.
- ② FEED-Taste
  - Wenn diese Taste gedrückt und dann innerhalb von 0,5 s losgelassen wird, wird das Papier um eine Zeile vorgeschoben.
  - Wenn diese Taste länger als 0,5 s gedrückt gehalten wird, wird das Papier kontinuierlich vorgeschoben.  
(Der obige Vorschubvorgang ist sowohl im On-line als auch im Off-line Betrieb möglich.)

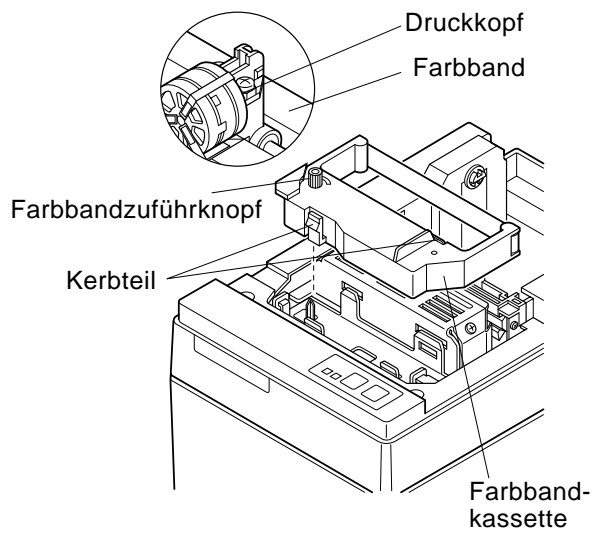
- ③ Netzlämpchen POWER (grüne LED)
  - Leuchtet auf, wenn der Drucker mit Netzstrom versorgt wird.
  - Blinkt, wenn das Papier verbraucht ist, eine mechanische Störung vorliegt, wenn ein Alarm aufgrund von hoher Druckkopftemperatur ausgelöst wurde oder ein CPU-Fehler aufgetreten ist.
  - Wenn das Papier verbraucht ist, neues Papier einlegen und die Taste ON LINE drücken.
  - Wenn das Netzlämpchen POWER aufgrund eines mechanischen Fehlers blinkt, den Drucker ausschalten und die mechanische Störung beheben. Dann den Drucker wieder einschalten, um einen Reset auszuführen.
  - Wenn das Netzlämpchen POWER aufgrund von hoher Druckkopftemperatur blinkt, wird der Drucker automatisch wieder aktiviert, wenn die Kopftemperatur absinkt.
- ④ Lämpchen ON LINE (grüne LED)
  - LED leuchtet: Drucker im On-line-Betrieb
  - LED erloschen: Drucker im Off-line-Betrieb
  - LED blinkt: CPU-Fehler.

Wenn die Lämpchen POWER und ON LINE gleichzeitig leuchten, liegt ein CPU-Fehler vor.

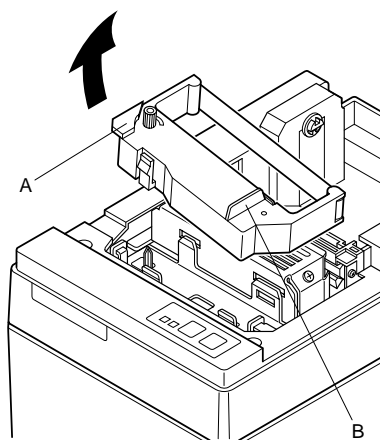
## Einlegen der Farbbandkassette (Abreißkantenmodell)



- ① Den Netzschalter am Drucker in Aus-Stellung stellen.
- ② Zum Abnehmen der Frontabdeckung diese ca. 3 cm anheben, und nach vorne ziehen.

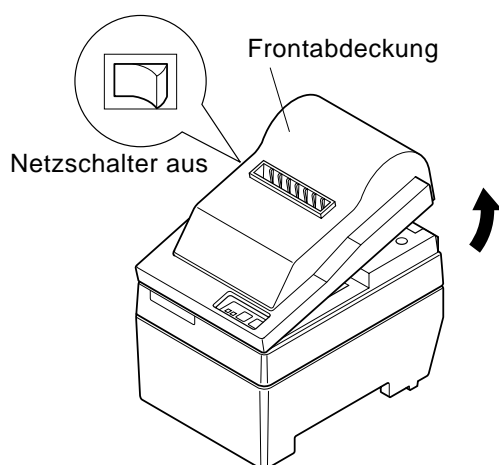


- ③ Die Farbbandkassette in der Richtung einsetzen wie in der Abbildung gezeigt und zum Einlegen eindrücken. Wenn die Farbbandkassette nicht richtig sitzt, eingedrückt halten und gleichzeitig den Farbbandknopf in Pfeilrichtung drehen.
- ④ Um Schlaufen im Farbband aufzuwickeln, den Farbbandzuführknopf der Farbbandkassette in Pfeilrichtung drehen.
- ⑤ Zum Anbringen der Frontabdeckung die Ausbausritte wie in ② oben beschrieben in umgekehrter Reihenfolge ausführen.

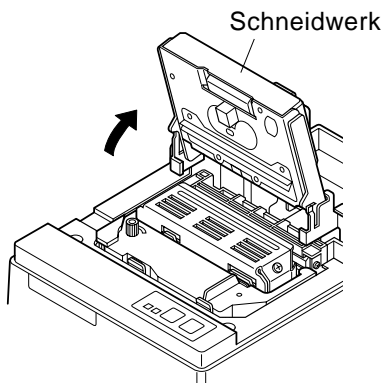


**Hinweis:** Beim Entfernen der Farbbandkassette den Teil A anheben und dann die Kassette an Teil B halten und Abziehen wie in der Abbildung gezeigt.

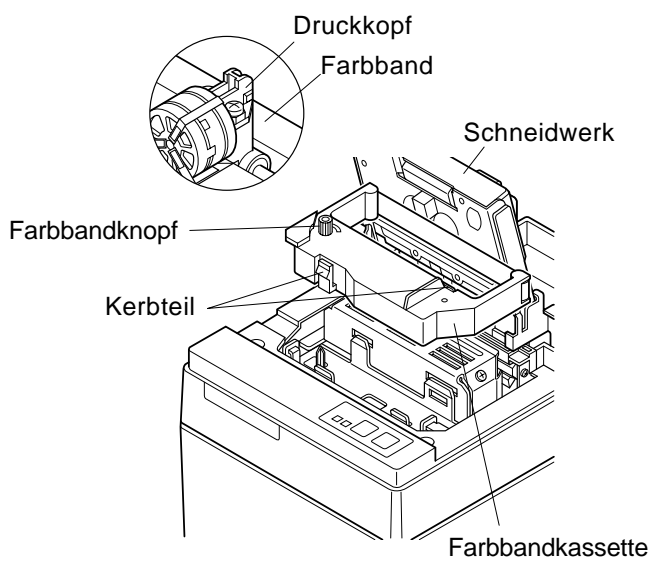
## Einlegen der Farbbandkassette (Auto-Schneidwerkmodell)



- ① Stellen Sie den Netzschalter am Drucker in Aus-Stellung.
- ② Zum Abnehmen der Frontabdeckung heben Sie diese ca. 3 cm an, und ziehen sie dann nach vorne.



- ③ Heben Sie das Schneidwerk an und stellen es in senkrechte Stellung, wie in der Abbildung gezeigt.



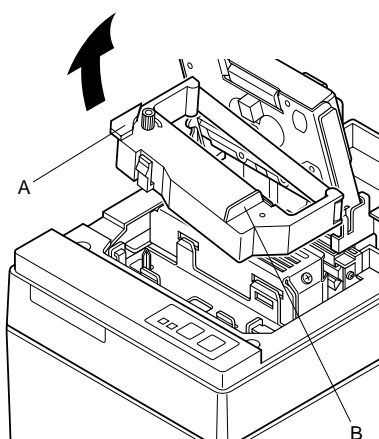
- ④ Die Farbbandkassette in der Richtung einsetzen wie in der Abbildung gezeigt und zum Einlegen eindrücken. Wenn die Farbbandkassette nicht richtig sitzt, eingedrückt halten und gleichzeitig den Farbbandknopf in Pfeilrichtung drehen.

- ⑤ Um Schlaufen im Farbband aufzuwickeln, den Farbbandzuführknopf der Farbbandkassette in Pfeilrichtung drehen.

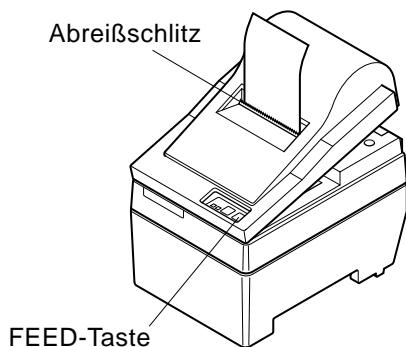
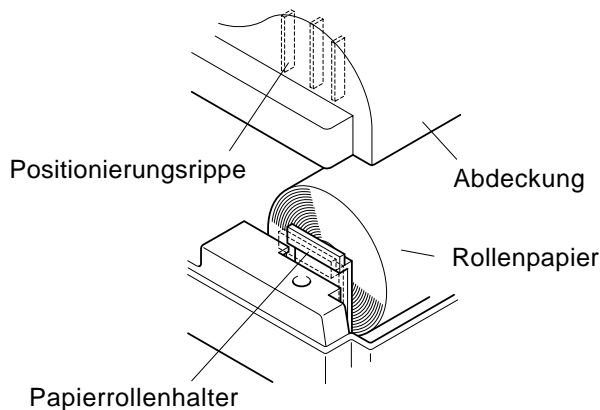
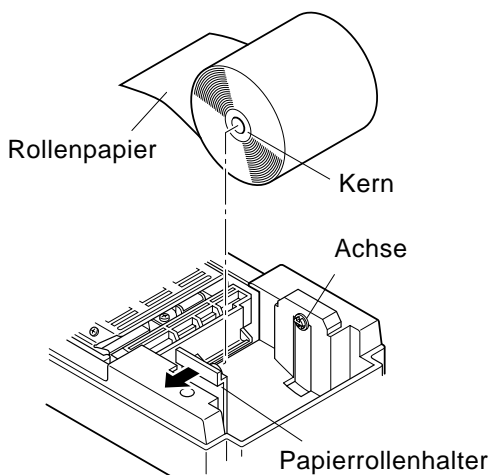
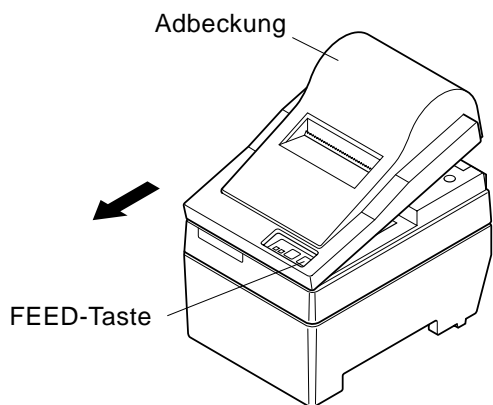
- ⑥ Das Schneidwerk schließen.

- ⑦ Zum Anbringen der Frontabdeckung die Ausbauschritte wie in ② beschrieben in umgekehrter Reihenfolge ausführen.

**Hinweis:** Beim Entfernen der Farbbandkassette den Teil A anheben und dann die Kassette an Teil B halten und Abziehen wie in der Abbildung gezeigt.



## Einlegen von Papier (Abreißkantenmodell)



① Die Abdeckung um etwa 3 cm anheben. Die Abdeckung in diesem Winkel halten, und dann zum Entfernen nach vorne ziehen.

② Schneiden Sie die Vorderkante des Rollenpapiers in einer geraden Linie ab.

③ Bestätigen Sie, daß der Drucker eingeschaltet ist.

④ Unter Beachtung der Richtung des Rollenpapiers führen Sie die Vorderkante des Papiers unter der Papierführung so weit wie möglich ein. Wenn die Rolle einglegt ist, kommt das Vorderende des Papiers automatisch aus dem Papierauslaufschlitz.

⑤ Bewegen Sie den Papierrollenhalter in Pfeilrichtung und setzen Sie die Rolle so ein, daß die Löcher in der Kernführung mit den Achsen des Papierrollenhalters übereinstimmen. Lassen Sie den Papierrollenhalter los, um das Papier festzuhalten.

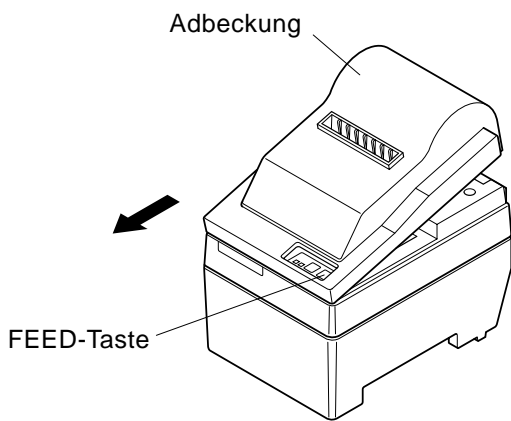
⑥ Wenn der Papierrollenkern nicht richtig mit dem Papierrollenhalter ausgerichtet ist, kann die Abdeckung nicht richtig geschlossen werden, bevor die Papierposition korrigiert ist.

⑦ Drücken Sie die FEED-Taste (Papiervorschub), um das Papier um ca. 10 cm vorzuschieben.

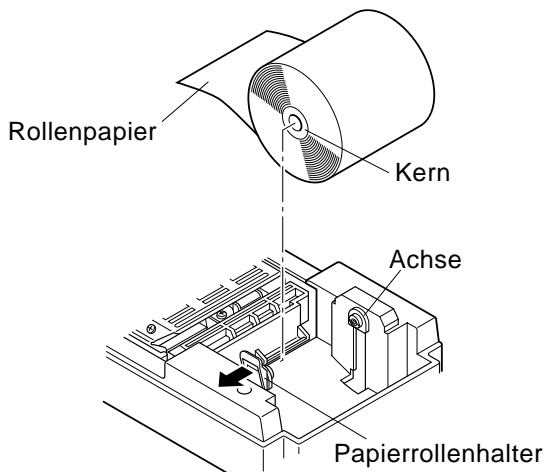
⑧ Führen Sie die Oberkante des Papiers in den Abreißkantenschlitz ein, und bringen dann die Abdeckung an, indem Sie die Ausbauschritte von Schritt ① oben in umgekehrter Reihenfolge ausführen.

**Hinweis:** Wenn die Papierendmarkierung auf dem Papier erscheint, das Rollenpapier austauschen, bevor es zu Ende geht.

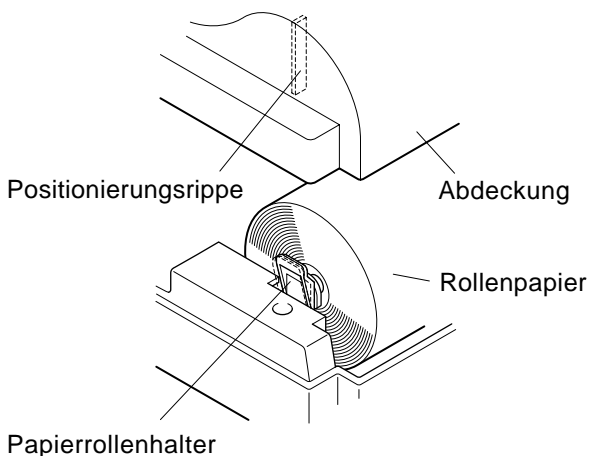
## Einlegen von Papier (Auto-Schneidwerkmodell)



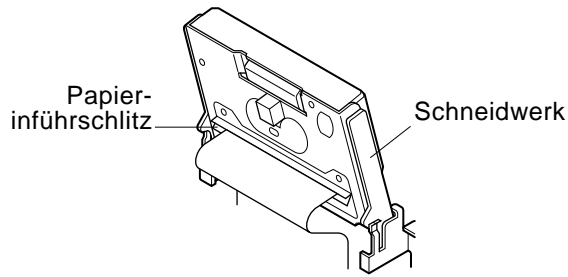
- ① Die Abdeckung um etwa 3 cm anheben. Die Abdeckung in diesem Winkel halten, und dann zum Entfernen nach vorne ziehen.



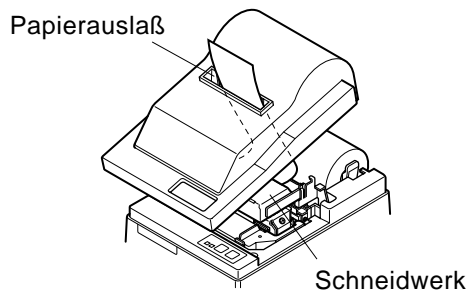
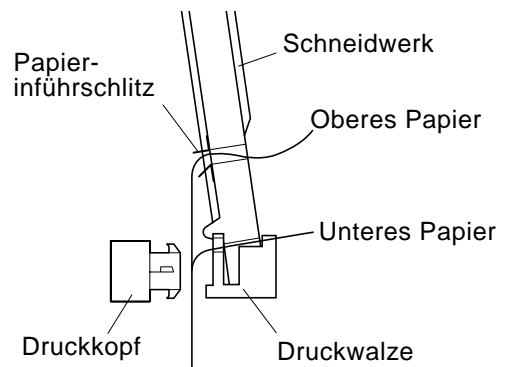
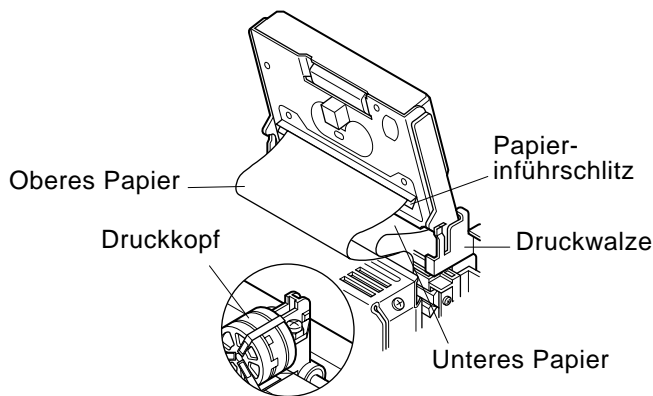
- ② Schneiden Sie die Vorderkante des Rollenpapiers in einer geraden Linie ab.
- ③ Bestätigen Sie, daß der Drucker eingeschaltet ist.
- ④ Unter Beachtung der Richtung des Rollenpapiers führen Sie die Vorderkante des Papiers unter der Papierführung so weit wie möglich ein. Wenn die Rolle einglegt ist, kommt das Vorderende des Papiers automatisch aus dem Papierauslaufschlitz. Nachdem etwa 2 cm Papier ausgeschoben sind, wird das Papier automatisch abgeschnitten.
- ⑤ Bewegen Sie den Papierrollenhalter in Pfeilrichtung und setzen Sie die Rolle so ein, daß die Löcher in der Kernführung mit den Achsen des Papierrollenhalters übereinstimmen. Lassen Sie den Papierrollenhalter los, um das Papier festzuhalten.
- ⑥ Wenn der Papierrollenkern nicht richtig mit dem Papierrollenhalter ausgerichtet ist, kann die Abdeckung nicht richtig geschlossen werden, bevor die Papierposition korrigiert ist.



- ⑦ Drücken Sie die FEED-Taste (Papiervorschub), um das Papier um ca. 10 cm vorzuschieben.

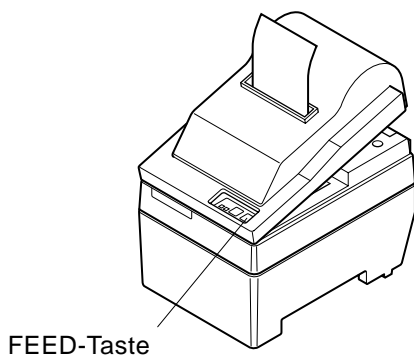


- ⑧ Führen Sie die Oberkante des Papiers in den Schlitz des Papier-Schneidwerks ein.
- Bei Verwendung von Durchschlagpapier führen Sie nur das Original (den oberen Teil) in den Schlitz des Schneidwerks ein. Führen Sie das zu kopierende Papier (das untere Papier) zwischen Druckwalze und Schneidwerk ein.

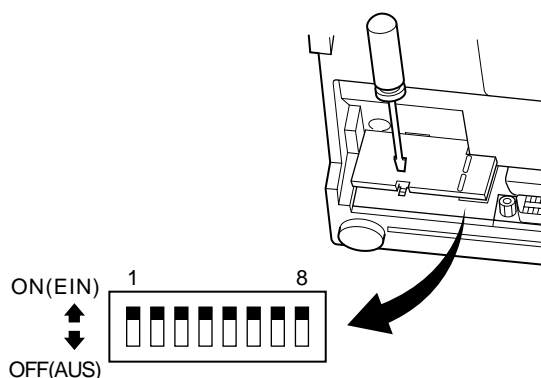


- ⑨ Ziehen Sie die Kante des Papierstau, um Schlaufen zu beseitigen, und senken Sie dann das Schneidwerk ab.
- ⑩ Führen Sie das Papier durch den Papierauslaß, und setzen Sie dann die Abdeckung wieder auf, indem Sie die Ausbauschritte in umgekehrter Reihenfolge ausführen.

**Hinweis:** Wenn die Papierendmarkierung auf dem Papier erscheint, das Rollenpapier austauschen, bevor es zu Ende geht.



# DIP-Schalter-Einstellungen - Parallelschnittstellentyp



## ■ DIP-Schalter

Schalter	Funktion	ON (EIN)	OFF (AUS)
1	Papiermangel-Erkennung	Gültig	Ungültig
2	Steuercode CR	Ungültig	Gültig
3	Internationaler Zeichensatz	Siehe unten	
4			
5			
6	Datenpuffer	Verfügbar (ca. 1 kB)	Nicht verfügbar (1 Zeile)
7	Zeichenerzeugung-Einstellung	Siehe unten	
8			

Die werkseitigen Einstellungen der DIP-Schalter sind ON.

## □ Internationaler Zeichensatz

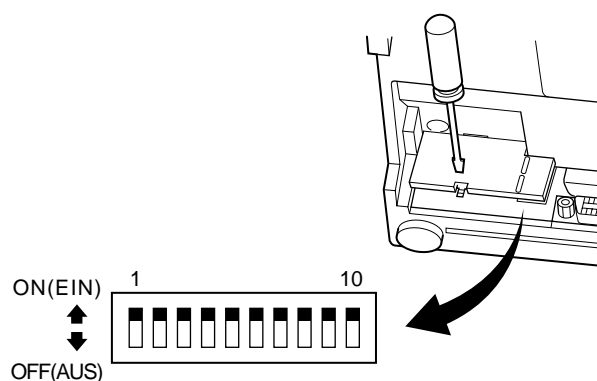
Schalter	USA	Frankreich	Deutschland	England	Dänemark	Schweden	Italien	Spanien
3	ON (EIN)	OFF (AUS)	ON (EIN)	OFF (AUS)	ON (EIN)	OFF (AUS)	ON (EIN)	OFF (AUS)
4	ON (EIN)	ON (EIN)	OFF (AUS)	OFF (AUS)	ON (EIN)	ON (EIN)	OFF (AUS)	OFF (AUS)
5	ON (EIN)	ON (EIN)	ON (EIN)	ON (EIN)	OFF (AUS)	OFF (AUS)	OFF (AUS)	OFF (AUS)

## □ Zeichenerzeugung

Schalter	US	EC	JP	JP
7	ON (EIN)	ON (EIN)	OFF (AUS)	OFF (AUS)
8	ON (EIN)	OFF (AUS)	ON (EIN)	OFF (AUS)



# DIP-Schalter-Einstellungen - Seriellschnittstellentyp



## ■ DIP-Schalter

Schalter	Funktion	ON (EIN)	OFF (AUS)
1	Befehlsmodus	STAR-Modus	VeriFone-Modus
2	Steuercode CR	Ungültig	Gültig
3	Internationaler Zeichensatz	Siehe unten	
4			
5			
6	Datenübertragungsrate	Siehe unten	
7			
8	Datenbit	8-Daten-Bit	7-Daten-Bit
9	Paritätsprüfung	Nein	Ja
10	Parität	Ungerade	Gerade

Die werkseitigen Einstellungen der DIP-Schalter sind ON.

## Internationaler Zeichensatz

Schalter	USA	Frankreich	Deutschland	England	Dänemark	Schweden	Italien	Spanien
3	ON (EIN)	OFF (AUS)	ON (EIN)	OFF (AUS)	ON (EIN)	OFF (AUS)	ON (EIN)	OFF (AUS)
4	ON (EIN)	ON (EIN)	OFF (AUS)	OFF (AUS)	ON (EIN)	ON (EIN)	OFF (AUS)	OFF (AUS)
5	ON (EIN)	ON (EIN)	ON (EIN)	ON (EIN)	OFF (AUS)	OFF (AUS)	OFF (AUS)	OFF (AUS)

## Datenübertragungsrate (baudrate)

Baudrate	Schalter 6	Schalter 7
1200	OFF (AUS)	OFF (AUS)
2400	OFF (AUS)	ON (EIN)
4800	ON (EIN)	OFF (AUS)
9600	ON (EIN)	ON (EIN)

## Technische Daten

Druckmethode	Serieller Nadeldruck
Anzahl der Spalten	42 (16 cpi) 35 (13,4 cpi)
Druckrichtung	Doppelrichtung mit Friktionsvorschub
Druckbreite	Max. 66 mm
Punktabstand	0,316 (H) × 0,423 (V) mm
Zeichengröße	1,28 B × 2,87 H mm (7 × 7, 16 cpi) 1,59 B × 2,87 H mm (9 × 7, 13,4 cpi)
Zeichensatz	Alphanumerische Zeichen: 95 Internationale Zeichen: 12 Sonderzeichen: 64 IBM-Sonderzeichen: 83
Druckgeschwindigkeit	Ca. 2,5 Zeilen/s
Papiervorschubgeschwindigkeit	Ca. 9 Zeilen/s
Zeilenabstand	1/6 Zoll
Zeichenstruktur	7×7 oder 9×7
Schnittstelle	RS232C / Centronics-kompatibel
Empfangspuffergröße	Ca. 1 kB
Druckerzuverlässigkeit	9 Millionen Zeilen berechnete Echtzeit MCBF 2,5 Millionen Zeilen MCBF
Druckkopf-Lebensdauer	75 Millionen Zeichen
Messer-Lebensdauer	0,3 Millionen Schneidvorgänge (voller oder teilweiser Schnitt)
Temperatur	Betrieb: 0 bis 50°C Lagerung: -20 bis 70 °C
Luftfeuchtigkeit	Betrieb: 10 bis 90% Luftfeuchtigkeit (ohne Kondensation) Lagerung: 5 bis 95% Luftfeuchtigkeit (ohne Kondensation)
Abmessungen	Abreißstabmodell: 158 × 234 × 193 (B×T×H mm) Auto-Schneidwerkmodell: 158 × 239,7 × 193 (B×T×H mm)
Gewicht	Abreißstabmodell: Ca. 3 Kg Auto-Schneidwerkmodell: Ca. 3,4 Kg

Bitte gehen Sie zur folgenden URL

[http://www.star-micronics.co.jp/service/frame\\_sp\\_spr\\_e.htm](http://www.star-micronics.co.jp/service/frame_sp_spr_e.htm)

für Informationen über die neuesten Druckertreiber und Hilfsprogramme.

*STAMPANTE A MATRICE DI PUNTI*  
**SERIE SP200**  
***MANUALE DI ISTRUZIONI***



**Commissione Federale sulle Comunicazioni**  
**Disposizione sulle Interferenze da Frequenze Radio**

Questo apparecchio è stato sottoposto a controlli ed è stato quindi riconosciuto operare entro i limiti relativi ai dispositivi digitali in Classe A in conformità alla Parte 15 dei Regolamenti FCC. I suddetti limiti sono intesi a fornire una ragionevole protezione contro le interferenze nocive qualora l'apparecchio sia impiegato in ambienti commerciali. Questo apparecchio genera, utilizza e può irradiare energia in radio frequenza e, qualora non installato ed utilizzato in accordo al proprio manuale di istruzione, può causare interferenze nocive alle comunicazioni radio.

L'utilizzo di questo apparecchio in aree residenziali può causare interferenze nocive, nel cui caso l'utilizzatore è tenuto a rimediare a proprie spese.

Al fine della conformità allo Standard Federale sulle Interferenze, questo apparecchio richiede l'utilizzo di un cavo schermato.

*La presente disposizione trova applicazione solamente per le stampanti vendute negli U.S.A.*

**Disposizione del Dipartimento Canadese delle Comunicazioni**  
**Regolamenti sulle Interferenze Radio**

Questo apparecchio digitale non eccede i limiti in Classe A relativi ai disturbi causati dalle emissioni radio provenienti dagli apparecchi digitali, così come esposto nei Regolamenti sulle Interferenze Radio del Dipartimento Canadese delle Comunicazioni.

*La suddetta disposizione trova applicazione solamente per le stampanti vendute in Canada.*

**CE**  
**Dichiarazione di conformità del fabbricante**

***Direttiva del Consiglio CE 89/336/CEE del 3 maggio 1989***

Questo prodotto è stato progettato e fabbricato secondo gli Standard Internazionali EN 61000-6-3/10.2001 e EN 55024/09.98 seguendo quanto previsto dalla Direttiva sulla Compatibilità Elettromagnetica della Comunità Europea del maggio 1989.

***Direttiva del Consiglio CE 73/23/CEE e 93/68/CEE del 22 luglio 1993***

Questo prodotto è stato progettato e fabbricato secondo gli Standard Internazionali EN 60950 seguendo quanto previsto dalla Direttiva sulla Bassa Tensione della Comunità Europea del luglio 1993.

*La dichiarazione di cui sopra è applicabile solo ai prodotti in vendita nell'UE.*

***Riconoscimento di marchio registrato***

**SP200:** Star Micronics Co., Ltd.

**ESC/POS:** Seiko Epson Corporation

***Avvertenze***

- Tutti i diritti riservati. La riproduzione di qualsiasi parte di questo manuale in qualsiasi forma o mezzo, senza il diretto consenso della STAR, è severamente proibita.
- Le informazioni contenute nel presente manuale sono soggette a modifiche senza preavviso.
- Malgrado siano state prese tutte le precauzioni per garantire l'accuratezza delle informazioni contenute nel presente manuale al momento della stampa, la STAR sarà ben lieta di ricevere segnalazioni degli eventuali errori riscontrati.
- Nonostante quanto citato sopra, la STAR non si assume nessuna responsabilità per eventuali errori contenuti nel presente manuale.

© Copyright 1994 Star Micronics Co., LTD.

## Informazioni relative alla sicurezza

---

### **Importante!**

*Assicurarsi che la stampante sia spenta e scollegata dalla presa di corrente e che il computer sia spento prima di eseguire il collegamento.*

---

### **Importante!**

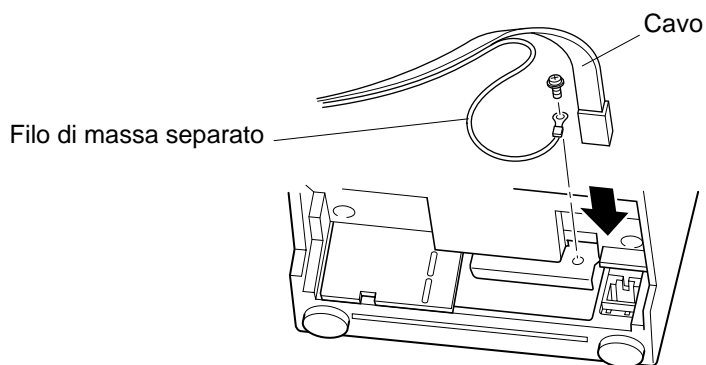
*Non collegare una linea telefonica al connettore di controllo esterno. Altrimenti si potrebbero avere danni alla stampante.*

*Inoltre, per ragioni di sicurezza, non collegare fili al connettore di controllo esterno, perché se ci sono cambiamenti potrebbero condurre una tensione eccessiva.*

---

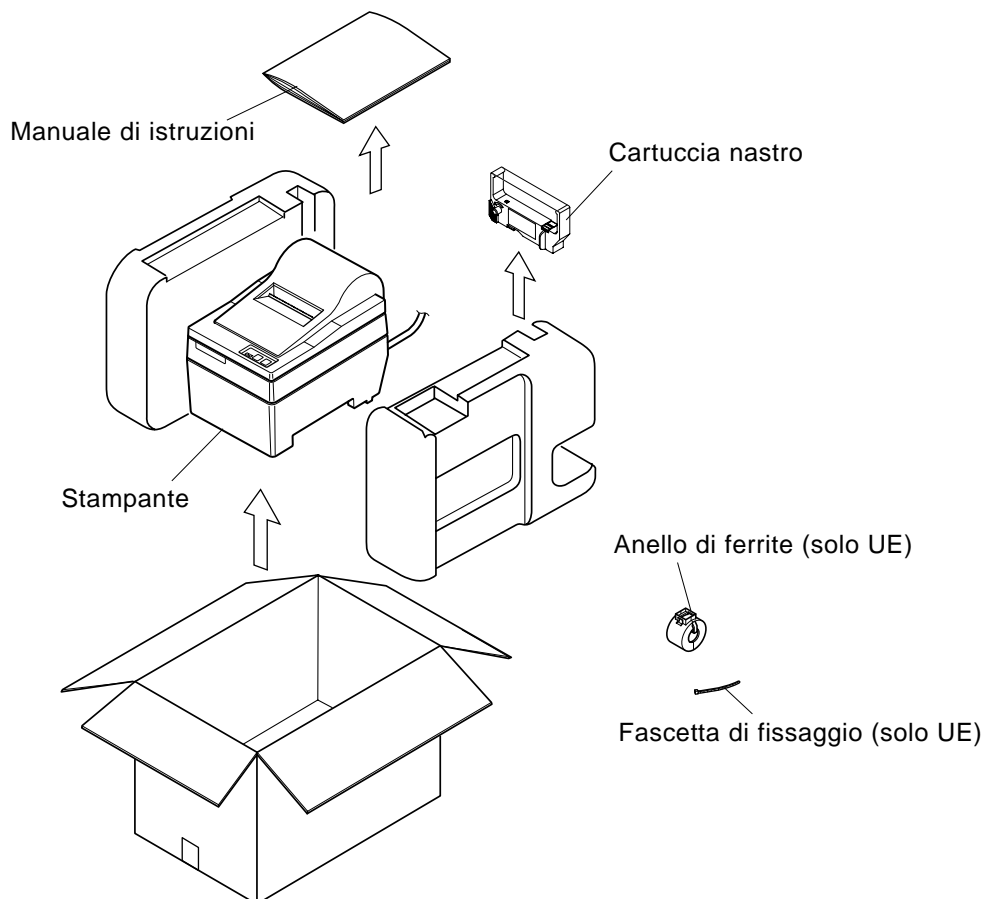
### **Collegare il filo di massa. (Solo UE)**

Togliere la vite indicata nella figura sotto, poi fissare il terminale del filo di massa al punto dove è stata rimossa la vite e serrare la vite.



## Disimballaggio

- ✓ Stampante
- ✓ Manuale di istruzioni
- ✓ Cartuccia nastro
- ✓ Anello di ferrite (solo UE)
- ✓ Fascetta di fissaggio (solo UE)



## Scelta di un luogo per la stampante

Prima di disimballare la stampante, decidere dove si desidera installarla. Tenere presenti i seguenti punti.

- ✓ Scegliere una superficie stabile e in piano, dove la stampante non sia esposta a vibrazioni.
- ✓ La presa di corrente che si intende usare per la stampante deve essere vicina e libera da ostacoli.
- ✓ La stampante deve essere abbastanza vicina al computer da permettere il collegamento tra i due.
- ✓ Assicurarsi che la stampante non sia esposta alla luce solare diretta.
- ✓ Assicurarsi che la stampante sia lontana da caloriferi e altre fonti di calore elevato.
- ✓ Assicurarsi che l'area circostante sia pulita, asciutta e priva di polvere.
- ✓ Assicurarsi che la stampante sia collegata ad una presa di corrente affidabile. Non deve essere la stessa presa di corrente di copiatrici, frigoriferi e altre apparecchiature che causano picchi di corrente.
- ✓ Assicurarsi che la stanza dove si usa la stampante non sia troppo umida.

## Parti soggette a consumo

Quando le parti soggette a consumo si esauriscono, usare quelle specificate nella seguente tabella.

### (1) Specifiche della carta in rotolo

Tipo di carta:	Carta comune per copie senza carbone
Larghezza carta:	76±0,5 mm
Diametro rotolo:	ø85 mm mass.
Diametro interno rotolo:	ø12±1 mm

**Nota:** La carta non deve essere incollata al cilindro interno.

### Spessore:

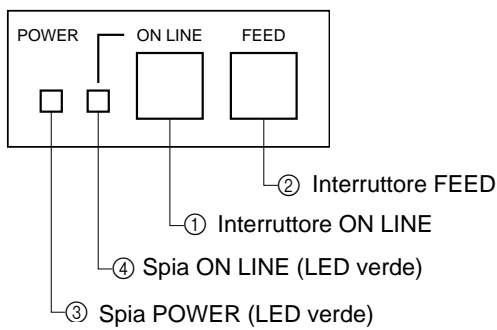
Modello con barra di strappo	(singolo)	Da 70 µm a 100 µm
	(copie)	Originale + 2 copie (mass. 200 µm)
Modello con taglierina automatica	(singolo)	Da 70 µm a 100 µm
	(copie)	Originale + 1 copia (mass. 100 µm)

**Nota:** La taglierina automatica incorporata nel modello con taglierina automatica è stata progettata per uno spessore carta massimo di 100 µm. Questo spessore è calcolato per una capacità carta massima di carat doppia, con ciascun foglio impostato a 50 µm . Se si supera la specifica di spessore carta di 100 µm non è possibile assicurare un taglio corretto.

### (2) Specifiche del nastro inchiostro

Tipo di nastro:	Cassetta a cartuccia
Colore:	Tipo SP212/242: Monocolore (viola o nero)
	Tipo SP216/246: Bicolore (nero e rosso)
Materiale nastro:	Nylon 66 (#40 denier)
Durata nastro:	Monocolore:
	Viola 3.000.000 caratteri
	Nero 1.200.000 caratteri
	Bicolore:
	Nero su bicolore 600.000 caratteri
Rosso su bicolore 300.000 caratteri	

## Pannello di Comando



### ① Interruttore ON LINE

Alterna lo stato della stampante tra “on-line” e “off-line”. La commutazione tra “on-line” e “off-line” è possibile solo quando c'è carta inserita nella stampante.

### ② Interruttore FEED

- Quando si preme questo interruttore e lo si rilascia entro 0,5 sec., la carta avanza di una riga.
- Quando si tiene premuto questo interruttore per più di 0,5 sec., la carta avanza continuamente. (L'operazione di avanzamento carta sopra descritta è possibile in entrambi i modi “on-line” e “off-line”).

### ③ Spia POWER (LED verde)

- Si illumina quando la stampante è accesa.
- Lampeggia quando la carta è esaurita, si verifica un errore meccanico, c'è un allarme dovuto a surriscaldamento della testina o si verifica un errore CPU.
- Se la carta è esaurita, inserire altra carta e premere l'interruttore ON LINE.
- Se la spia POWER lampeggia a causa di un errore meccanico, spegnere la stampante ed eliminare la causa dell'errore meccanico, quindi riaccendere la stampante per inicializzarla.
- Se la spia POWER lampeggia a causa dell'allarme di surriscaldamento testina, la stampante viene reimpostata automaticamente quando la temperatura della testina scende.

### ④ Spia ON LINE (LED verde)

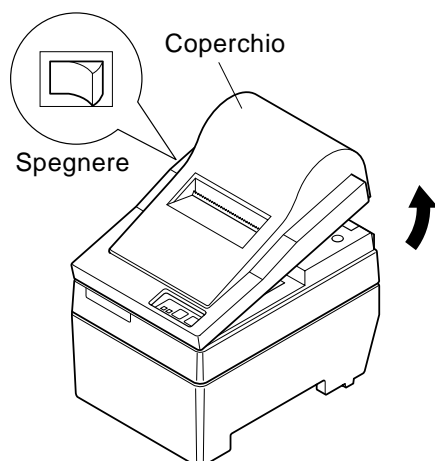
LED illuminato: Stampante “on-line”

LED spento: Stampante “off-line”

LED lampeggiante: Errore CPU

Quando la spia POWER e la spia ON LINE si illuminano contemporaneamente, si è verificato un errore CPU.

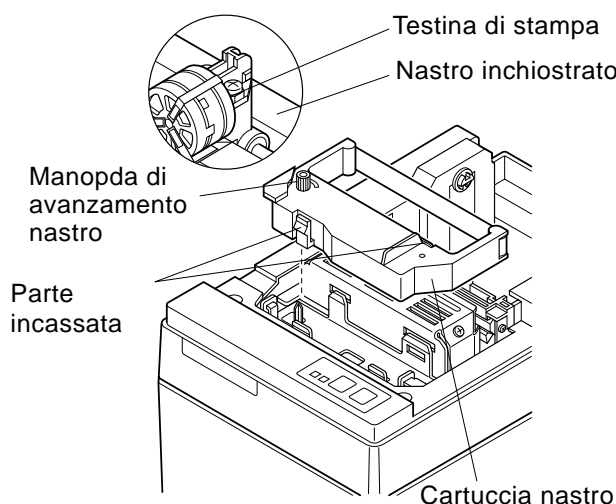
## Inserimento della cartuccia nastro (Modello con barra di strappo)



### ① Spegnere la stampante.

- ### ② Sollevare il coperchio di 3 cm circa. Tenere il coperchio inclinato a questa angolazione e tirarlo verso di sé per rimuoverlo.

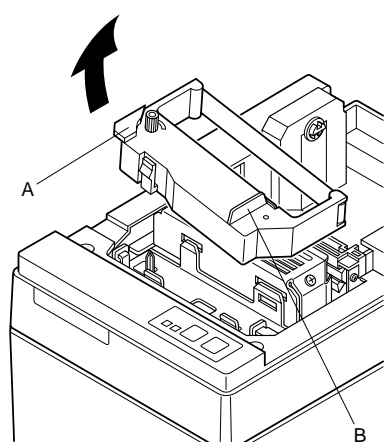




③ Inserire la cartuccia nastro nella direzione mostrata nella figura e premerla in basso per caricarla. Se il caricamento della cartuccia nastro non è soddisfacente, premere in basso la cartuccia nastro girando la manopola di avanzamento nastro in direzione della freccia.

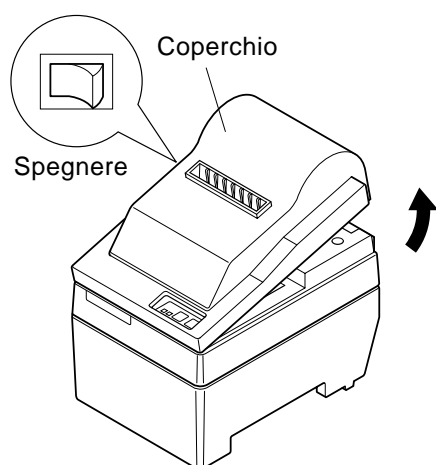
④ Girare la manopola di avanzamento nastro della cartuccia nastro in direzione della freccia per eliminare l'allentamento del nastro.

⑤ Montare il coperchio con il procedimento inverso a quanto descritto al punto ② sopra.



**Nota:** Quando si rimuove la cartuccia nastro, sollevare la parte A e quindi rimuovere la cartuccia tenendo la parte B come mostrato nella figura.

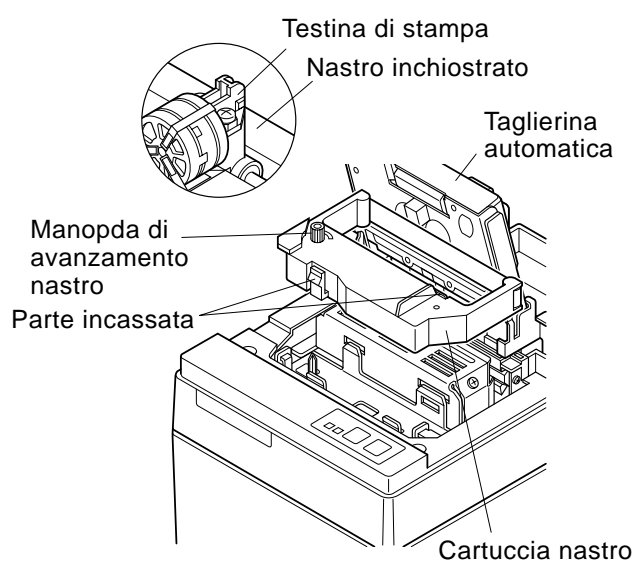
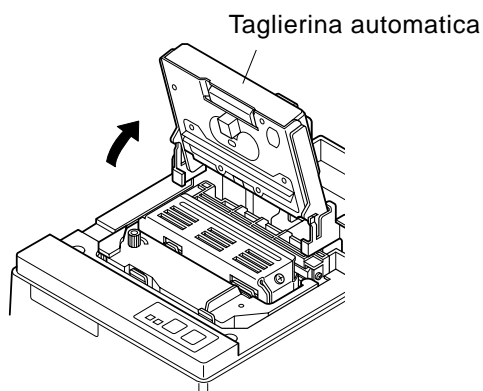
## Inserimento della cartuccia nastro (Modello con taglierina automatica)



① Spegnere la stampante.

② Sollevare il coperchio di 3 cm circa. Tenere il coperchio inclinato a questa angolazione e tirarlo verso di sé per rimuoverlo.

- ③ Sollevare la taglierina automatica e collocarla in posizione verticale, come mostrato nella figura.



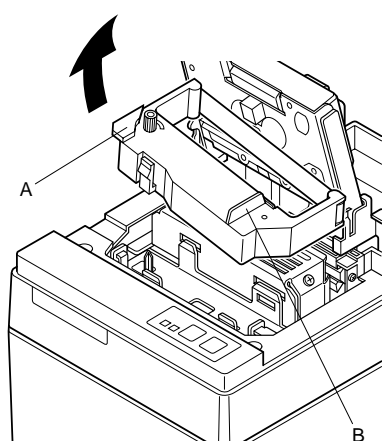
- ④ Inserire la cartuccia nastro nella direzione mostrata nella figura e premerla in basso per caricarla. Se il caricamento della cartuccia nastro non è soddisfacente, premere in basso la cartuccia nastro girando la manopola di avanzamento nastro in direzione della freccia.

- ⑤ Girare la manopola di avanzamento nastro della cartuccia nastro in direzione della freccia per eliminare l'allentamento del nastro.

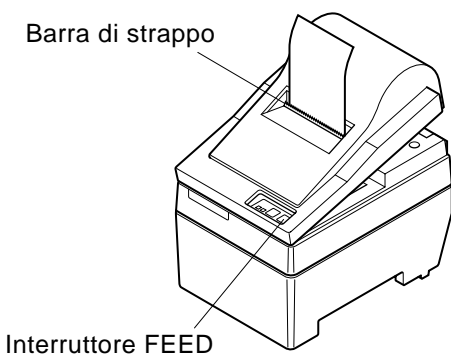
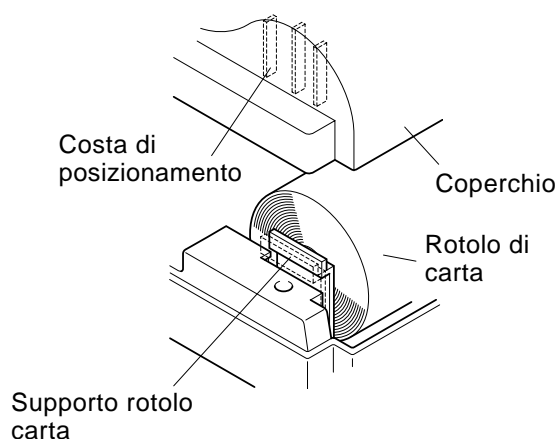
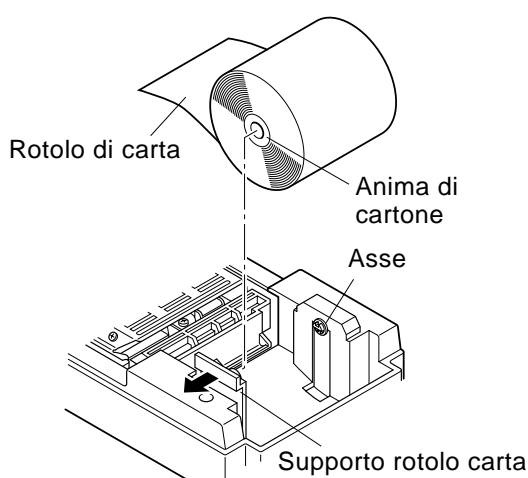
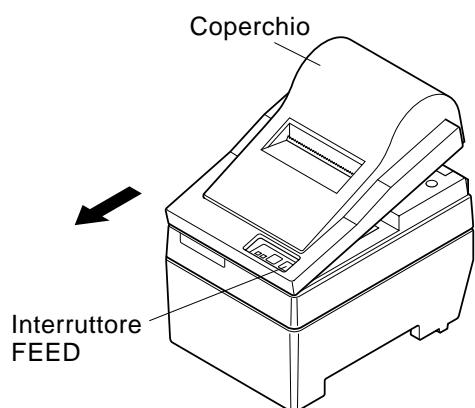
- ⑥ Chiudere la taglierina automatica.

- ⑦ Montare il coperchio con il procedimento inverso a quanto descritto al punto ② sopra.

**Nota:** Quando si rimuove la cartuccia nastro, sollevare la parte A e quindi rimuovere la cartuccia tenendo la parte B come mostrato nella figura.



## Inserimento della carta (Modello con barra di strappo)



① Sollevare il coperchio di 3 cm circa. Tenere il coperchio inclinato a questa angolazione e tirarlo verso di sé per rimuoverlo.

② Tagliare perpendicolarmente l'estremità iniziale della carta del rotolo.

③ Verificare che la stampante sia accesa.

④ Osservando la direzione della carta del rotolo, inserire l'estremità superiore della carta sotto la guida della carta il più possibile. Se il rotolo carta è installato, l'estremità superiore della carta fuoriesce automaticamente dall'uscita carta.

⑤ Spostare il supporto rotolo carta in direzione della freccia e inserire il rotolo in modo che i fori nell'anima di cartone siano allineati con gli assi del supporto rotolo carta. Rilasciare il supporto rotolo carta per fissare la carta.

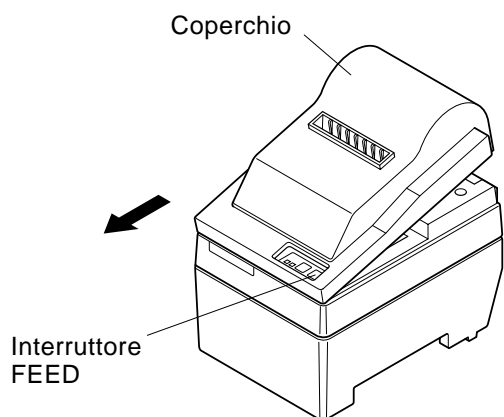
⑥ Se l'anima di cartone del rotolo carta non è stata allineata correttamente con il supporto rotolo carta, il coperchio non può essere applicato correttamente finché non si corregge la posizione della carta.

⑦ Premere l'interruttore FEED (avanzamento carta) per far avanzare la carta di circa 10 cm.

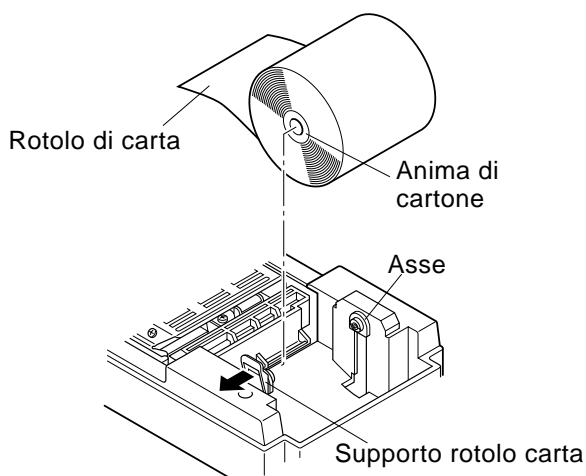
⑧ Inserire l'estremità superiore della carta nella fessura della barra di strappo e quindi montare il coperchio con il procedimento inverso di quello usato per rimuovere il coperchio al punto ① sopra.

**Nota:** Quando il segno di fine carta appare sulla carta, sostituire il rotolo di carta prima che finisca.

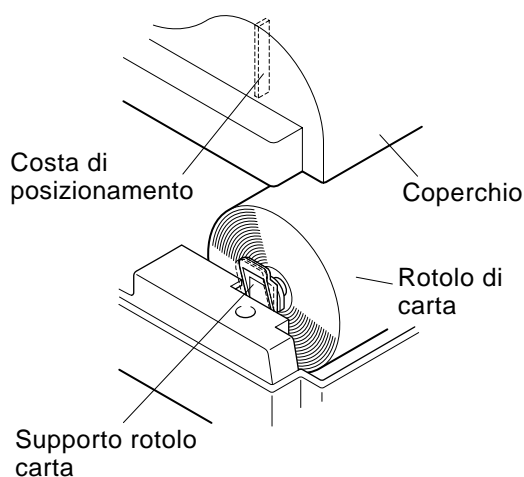
## Inserimento della carta (Modello con taglierina automatica)



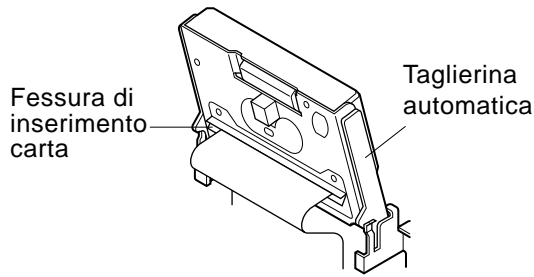
- ① Sollevare il coperchio di 3 cm circa. Tenere il coperchio inclinato a questa angolazione e tirarlo verso di sé per rimuoverlo.



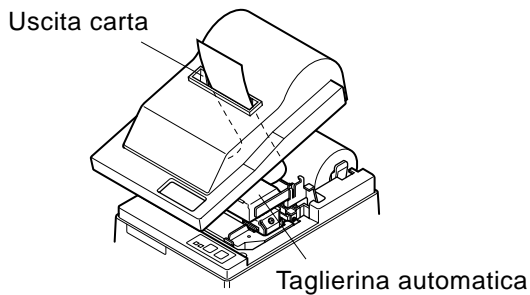
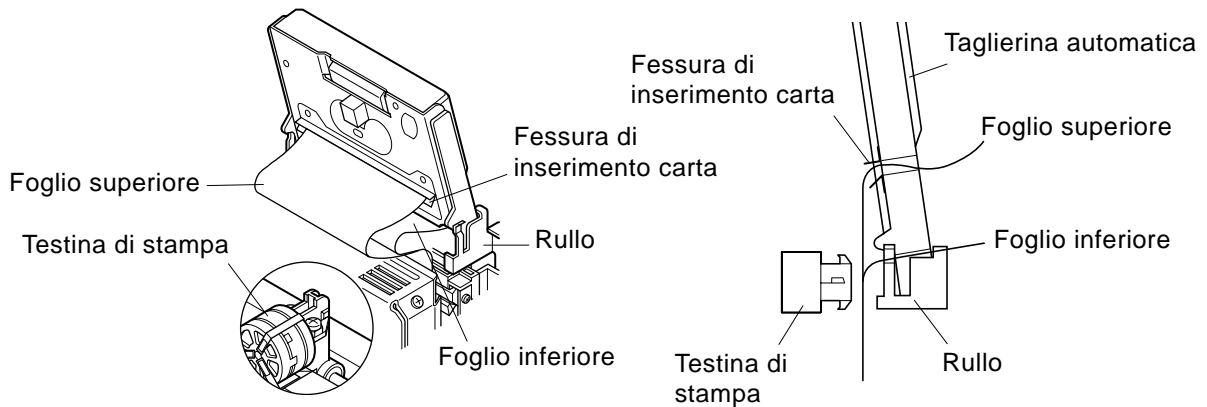
- ② Tagliare perpendicolarmente l'estremità iniziale della carta del rotolo.
- ③ Verificare che la stampante sia accesa.
- ④ Osservando la direzione della carta del rotolo, inserire l'estremità superiore della carta sotto la guida della carta il più possibile. Se il rotolo carta è installato, l'estremità superiore della carta fuoriesce automaticamente dall'uscita carta. Dopo che sono fuoriusciti 2 cm di carta, la carta viene tagliata automaticamente.
- ⑤ Spostare il supporto rotolo carta in direzione della freccia e inserire il rotolo in modo che i fori nell'anima di cartone siano allineati con gli assi del supporto rotolo carta. Rilasciare il supporto rotolo carta per fissare la carta.
- ⑥ Se l'anima di cartone del rotolo carta non è stata allineata correttamente con il supporto rotolo carta, il coperchio non può essere applicato correttamente finché non si corregge la posizione della carta.



- ⑦ Premere l'interruttore FEED (avanzamento carta) per far avanzare la carta di circa 10 cm.

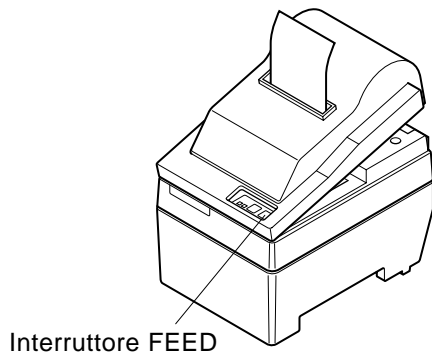


- ⑧ Inserire l'estremità superiore della carta nella fessura carta della taglierina automatica.
- Quando si usa carta autocopiante, inserire solo l'originale (il foglio superiore) nella fessura della taglierina automatica. Inserire la carta su cui si copia (il foglio inferiore) tra il rullo e la taglierina automatica.

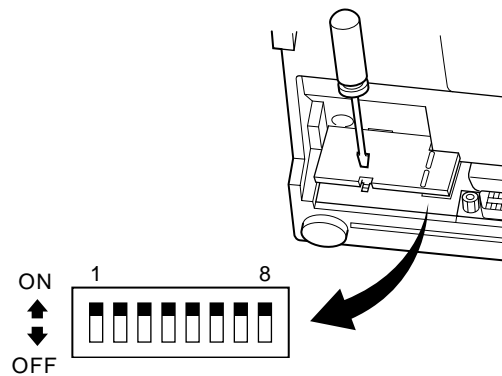


- ⑨ Tirare il bordo della carta per eliminare eventuali allentamenti e quindi abbassare la taglierina automatica.
- ⑩ Inserire la carta attraverso l'apertura carta e quindi rimettere il coperchio seguendo in ordine inverso il procedimento di rimozione.

**Nota:** Quando il segno di fine carta appare sulla carta, sostituire il rotolo di carta prima che finisca.



# Impostazioni dei interruttori DIP - Tipo interfaccia parallela



## ■ INTERRUOTTORI DIP

Interruttore	Funzione	ON	OFF
1	Rilevamento carta esaurita	Valido	Non valido
2	Ritorno carrello a codice di controllo	Non valido	Valido
3	Gruppo caratteri internazionali	Vedere sotto	
4			
5			
6	Buffer dati	Disponibile (circa 1 kbyte)	Non disponibile (1 riga)
7	Impostazione di generazione caratteri	Vedere sotto	
8			

Le impostazioni di fabbrica dei interruttori DIP sono tutte ON (attivo).

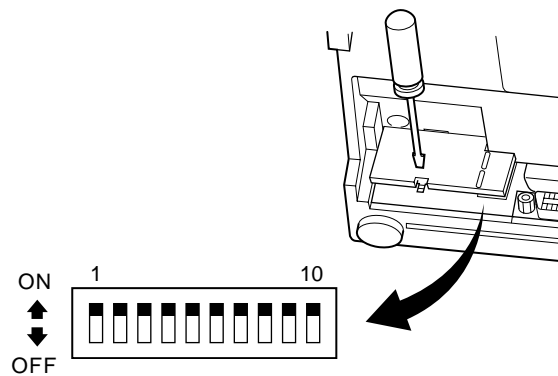
### Gruppo caratteri internazionali

Interruttore	U.S.A.	Francia	Germania	Inghilterra	Danimarca	Svezia	Italia	Spagna
3	ON	OFF	ON	OFF	ON	OFF	ON	OFF
4	ON	ON	OFF	OFF	ON	ON	OFF	OFF
5	ON	ON	ON	ON	OFF	OFF	OFF	OFF

### Generazione caratteri

Interruttore	US	CE	JP	JP
7	ON	ON	OFF	OFF
8	ON	OFF	ON	OFF

# Impostazioni dei interruttori DIP - Tipo interfaccia seriale



## ■ INTERRUITORI DIP

Interruttore	Funzione	ON	OFF
1	Modo comando	Modo STAR	Modo VeriFone
2	Ritorno carrello a codice di controllo	Non valido	Valido
3	Gruppo caratteri internazionali	Vedere sotto	
4			
5			
6	Velocità di trasmissione dati	Vedere sotto	
7			
8	Bit di dati	8 bit di dati	7 bit di dati
9	Controllo parità	No	Sì
10	Parità	Dispari	Pari

Le impostazioni di fabbrica dei interruttori DIP sono tutte ON (attivo).

### Gruppo caratteri internazionali

Interruttore	U.S.A.	Francia	Germania	Inghilterra	Danimarca	Svezia	Italia	Spagna
3	ON	OFF	ON	OFF	ON	OFF	ON	OFF
4	ON	ON	OFF	OFF	ON	ON	OFF	OFF
5	ON	ON	ON	ON	OFF	OFF	OFF	OFF

### Velocità di trasmissione dati (Velocità di trasmissione)

Velocità di trasmissione	Interruttore 6	Interruttore 7
1200	OFF	OFF
2400	OFF	ON
4800	ON	OFF
9600	ON	ON

## Caratteristiche tecniche

Metodo di stampa	Stampa a matrice di punti seriale a impatto
Number of columns	42 (16 cpi) 35 (13,4 cpi)
Direzione di stampa	Bidirezionale con avanzamento a frizione
Larghezza di stampa	Mass. 66 mm
Spaziatura punti	0,316(O) × 0,423(V) mm
Dimensioni caratteri	1,28L × 2,87A mm (7×7, 16 cpi) 1,59L × 2,87A mm (9×7, 13,4 cpi)
Gruppo caratteri	Caratteri alfanumerici: 95 Caratteri internazionali: 12 Caratteri speciali: 64 Caratteri speciali IBM: 83
Velocità di stampa	Circa 2,5 righe/sec
Velocità di avanzamento carta	Circa 9 righe/sec
Interlinea	1/6 pollici
Struttura caratteri	7×7 o 9×7
Interfaccia	RS232C / Compatibile Centronics
Dimensioni buffer di ricezione	Circa 1 Kbyte
Affidabilità stampante	9 milioni di righe line MCBF calcolato in tempo reale 2,5 milioni di righe MCBF
Durata testina di stampa	75 milioni di caratteri
Durata taglierina	0,3 milioni di tagli (tagli parziali o completi)
Temperatura	Impiego: Da 0 a 50 °C Deposito: Da -20 a 70 °C
Umidità	Impiego: Dal 10 al 90% RH (senza condensa) Deposito: Dal 5 al 95% RH (senza condensa)
Dimensioni	Modello con barra di strappo: 158 × 234 × 193 (L×P×A mm) Modello con taglierina automatica: 158 × 239,7 × 193 (L×P×A mm)
Peso	Modello con barra di strappo: Circa 3 Kg Modello con taglierina automatica: Circa 3,4 Kg

Si prega di accedere al seguente URL

[http://www.star-micronics.co.jp/service/frame\\_sp\\_spr\\_e.htm](http://www.star-micronics.co.jp/service/frame_sp_spr_e.htm)

per ottenere gli aggiornamenti del driver e dei programmi di utilità.



# ***IMPRESORA DE MATRIZ DE PUNTOS***

**SP200 SERIES**

***MANUAL DEL USUARIO***



**Comisión Federal de Comunicaciones  
Declaración de interferencias de  
radiofrecuencias**

Este equipo ha sido probado y se ha determinado que cumple con las limitaciones de un dispositivo digital de Clase A, con conformidad al Apartado 15 de la normativa de FCC. Estas limitaciones están diseñadas para proporcionar una protección razonable contra las interferencias perjudiciales en un entorno comercial. Este equipo genera, utiliza y puede irradiar energía de radiofrecuencia y, si no se instala y usa de acuerdo con el manual de instrucciones, puede provocar interferencias perjudiciales a las comunicaciones de radio. Es probable que la utilización de este equipo en una zona residencial provoque interferencias perjudiciales, en cuyo caso se pedirá al usuario que corrija la interferencia a su propio cargo.

Para cumplir con el Estándar federal de interferencias de ruido, este equipo necesita un cable blindado.

*Esta declaración se aplicará sólo a las impresoras comercializadas en los Estados Unidos.*

**Departamento Canadiense de Comunicaciones  
Declaración de interferencias  
de radiofrecuencias**

Este aparato digital no excede los límites de Clase A sobre emisiones de ruido desde un dispositivo digital, tal y como se establece en las Regulaciones de Interferencias de Radio del Departamento Canadiense de Comunicaciones.

Le présent appareil numérique n'émet pas de bruits radioélectriques dépassant les limites applicables aux appareils numériques de la classe A prescrites dans le Règlement sur le brouillage radioélectrique édicté par le ministère des Communications du Canada.

*La declaración anterior sólo se aplica a las impresoras comercializadas en Canadá.*

**CE  
Declaración de conformidad del fabricante**

**Directiva del Consejo de la CE 89/336/CEE de 3 de mayo de 1989**

Este producto se ha diseñado y fabricado de acuerdo con los Estándares Internacionales EN 61000-6-3/10.2001 y EN 55024/09.98, según lo estipulado en la Directiva de Compatibilidad Electromagnética de la Comunidad Europea desde mayo de 1989.

**Directiva del Consejo de la CE 73/23/CEE y 93/68/CEE del 22 de julio de 1993**

Este producto se ha diseñado y fabricado de acuerdo con los Estándares Internacionales EN 60950, según lo estipulado en la Directiva de Bajo Voltaje de la Comunidad Europea desde julio de 1993.

*La declaración anterior sólo se aplica a las impresoras comercializadas en la Unión Europea.*

**Reconocimiento de marcas**

**SP200:** Star Micronics Co., Ltd.

**ESC/POS:** Seiko Epson Corporation

**Aviso**

↑ Reservados todos los derechos. Se prohíbe la reproducción total o parcial de este manual, por cualquier medio, sin el permiso expreso de STAR.

↑ El contenido de este manual está sujeto a cambios sin previo aviso.

↑ A pesar de los esfuerzos realizados por asegurar la precisión del contenido de este manual en el momento de la impresión, podrían detectarse errores. Si éste es el caso, STAR apreciaría enormemente le fueran comunicados.

↑ Pese a todo, STAR no se hace responsable de los errores que puedan aparecer en este manual.

© Copyright 2003 Star Micronics Co., LTD.

## Información de seguridad

---

### **Importante**

*Antes de realizar conexiones, asegúrese de que la impresora está apagada y desconectada de la toma de CA, y de que el ordenador está apagado.*

---

### **Importante**

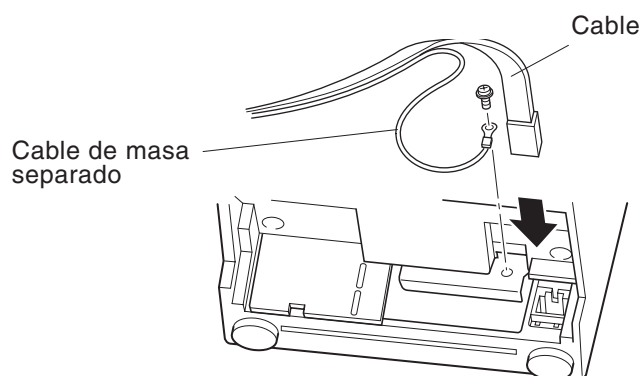
*No conecte una línea de teléfono al conector de la unidad para periféricos. Si lo hace, podría dañar la impresora.*

*Además, por motivos de seguridad, no conecte cables al conector de la unidad externa si existe la probabilidad de que conserve voltaje residual.*

---

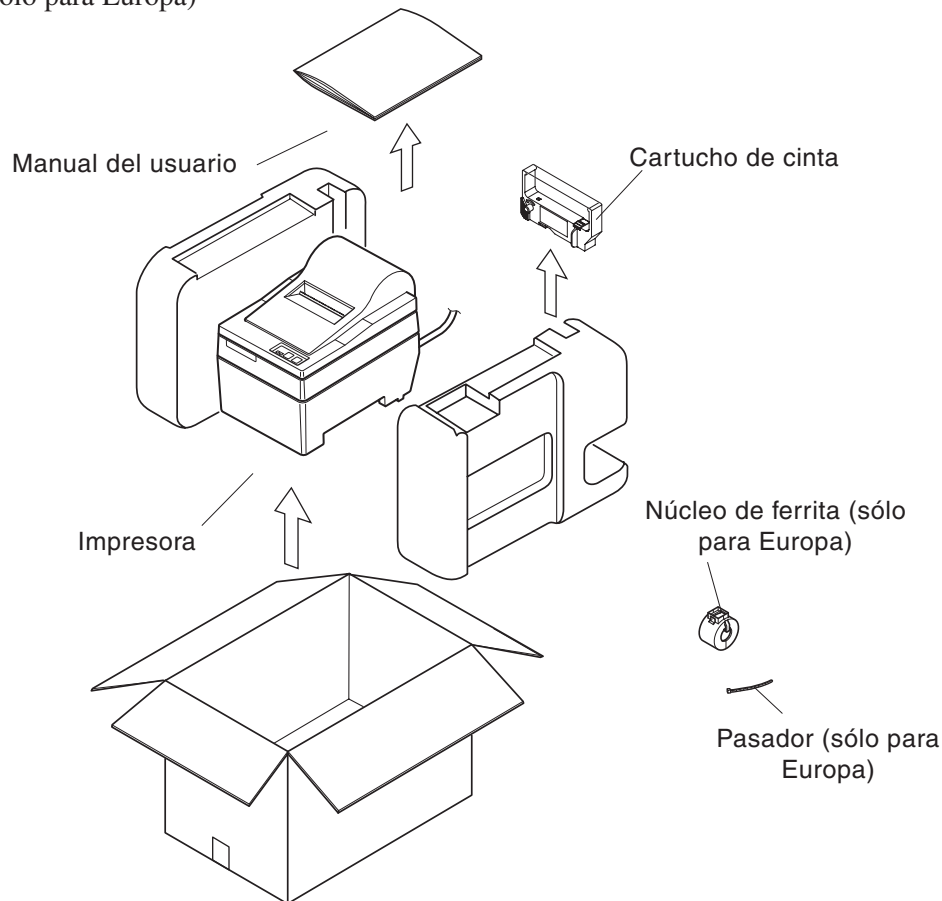
### **Conexión del cable de masa. (sólo para Europa)**

Extraiga el tornillo que se muestra en la siguiente figura y, a continuación, asegure el terminal del cable de masa en el lugar de donde sacó el tornillo y apriételo.



## Desembalaje

- ✓ Impresora
- ✓ Manual del usuario
- ✓ Cartucho de cinta
- ✓ Núcleo de ferrita (sólo para Europa)
- ✓ Pasador (sólo para Europa)



## Elección de una ubicación para la impresora

Antes de desembalar la impresora, dedique unos minutos a pensar dónde la va a utilizar. Cuando lo haga, recuerde los siguientes puntos:

- ✓ Elija una superficie plana y firme en la que la impresora no esté expuesta a vibraciones.
- ✓ La toma de alimentación a la que conectará la impresora debe estar cerca y libre de obstrucciones.
- ✓ Asegúrese de que la impresora está lo bastante cerca del ordenador host para poder conectarlos.
- ✓ Asegúrese de que la impresora no queda expuesta a la luz solar directa.
- ✓ Asegúrese de que la impresora está bien alejada de radiadores y otras fuentes de calor extremo.
- ✓ Asegúrese de que el área circundante está limpia, seca y sin polvo.
- ✓ Asegúrese de que la impresora está conectada a una toma de alimentación que funcione. No debe estar en el mismo circuito eléctrico que fotocopiadoras, frigoríficos y otros aparatos que puedan provocar subidas de tensión.
- ✓ Asegúrese de que la habitación en la que va a utilizar la impresora no está demasiado húmeda.

## Consumibles

Cuando los consumibles se agoten, utilice los que se especifican en la siguiente tabla.

### (1) Especificaciones del rollo de papel

Tipo de papel:	Papel para copia sin carbón de gramaje normal
Ancho del papel:	76±0,5 mm (3,0 pulgadas)
Diámetro del rollo:	ø85 mm (3,35 pulgadas) máx.
Diámetro interno del rollo:	ø12±1 mm

Nota: No se debe pegar el papel al núcleo.

Grosor: Modelo de barra de corte (una sola hoja) 70 µm a 100 µm  
(copias) Original + 2 copias (Máx. 200 µm)

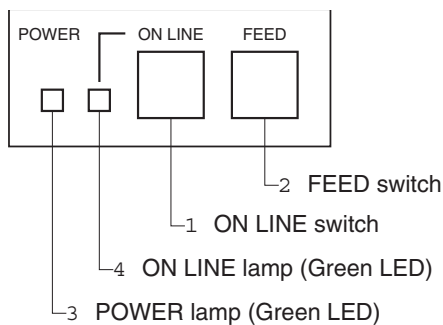
Modelo de cortadora automática(una sola hoja) 70 µm a 100 µm  
(copias) Original +1 copias (Máx. 100 µm)

Nota: La cortadora automática incluida en este modelo se ha diseñado para un grosor máximo de papel de 100 µm. Este grosor se ha calculado según una capacidad máxima de papel de 2 capas, donde cada hoja se establece en 50 µm . Si excede los 100 µm, la especificación de la cortadora automática del grosor del papel no proporcionará un corte adecuado.

### (2) Especificaciones de cinta de tinta

Tipo de cinta:	Cassette de cartucho
Color:	Tipo SP212/242: Monocolor (negro o púrpura) Tipo SP216/246: Bicolor (blanco y rojo)
Material de la cinta:	Nailon 66 (#40 denier)
Duración de la cinta:	Monocolor: 3.000.000 caracteres en color púrpura 1.200.000 caracteres en color negro Bicolor: 600.000 caracteres en color negro 300.000 caracteres en color rojo

## Panel de control



### 1 Interruptor en línea (ON LINE)

Alterna entre el estado en línea (ON LINE) y sin línea (OFF LINE) de la impresora. Esta alternancia entre estados sólo es posible una vez cargado el papel en la impresora.

### 2 Interruptor de alimentación (FEED)

- Si se pulsa este interruptor y, a continuación, se suelta en 0,5 segundos, se carga el papel línea a línea.
- Si se mantiene pulsado este interruptor durante más de 0,5 segundos, se carga el papel de forma continua. (Esta función de alimentación del papel es posible tanto en los modos ON LINE como OFF LINE.)

### 3 Luz de encendido (POWER) (LED verde)

- Se enciende cuando la impresora está activada.
- Parpadea cuando no hay papel, se produce un error mecánico, si hay una alarma por la detección de una temperatura excesiva en el cabezal o cuando se ha producido un error en la CPU.
- Si se ha agotado el papel, cargue papel nuevo y pulse el interruptor ON LINE.
- Si parpadea la luz de encendido por haberse producido un error mecánico, desconecte la alimentación y solucione la causa del error; a continuación, vuelva a conectar la alimentación para restablecer la impresora.
- Si parpadea la luz de encendido por la detección de una temperatura excesiva en el cabezal, la impresora se establecerá automáticamente cuando disminuya la temperatura.

### 4 Luz en línea (ON LINE) (LED verde)

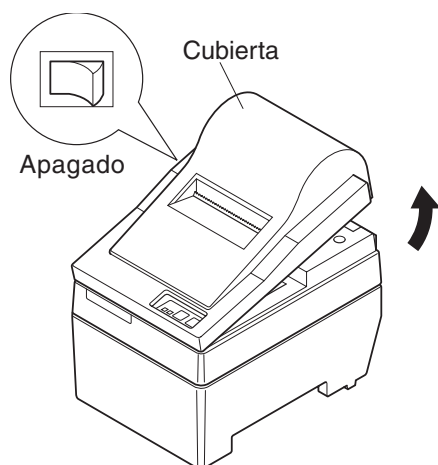
LED encendido: La impresora está ON LINE

LED apagado: La impresora está OFF LINE

LED parpadeando: Error en la CPU

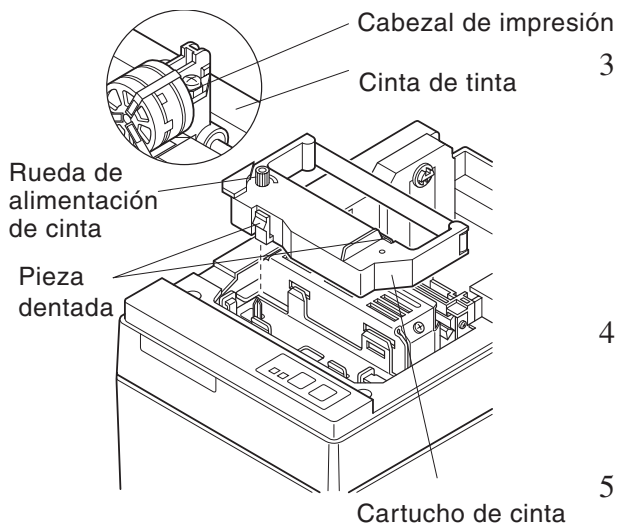
Si las luces POWER y ON LINE se encienden simultáneamente, se ha producido un error en la CPU.

## Carga del cartucho de cinta (Modelo de barra de corte)

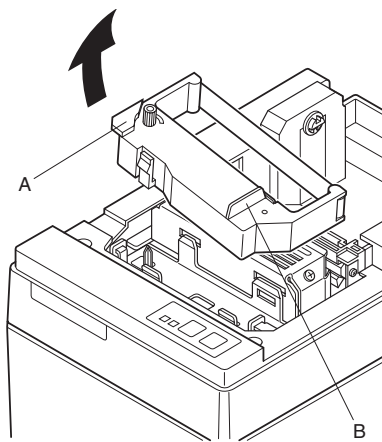


### 1 Desconecte la impresora.

- ### 2 Levante la cubierta aproximadamente 3 cm. Mantenga la cubierta inclinada en este ángulo y, a continuación, tire de ella hacia usted para quitarla.

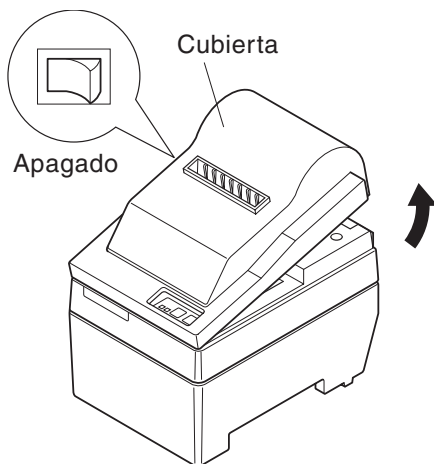


- 3 Coloque el cartucho de cinta en la dirección indicada en el dibujo y presiónelo hacia abajo para cargarlo. Si no se carga correctamente el cartucho de cinta, presiónelo hacia abajo a la vez que gira la rueda de alimentación de la cinta en la dirección de la flecha.
- 4 Gire la rueda de alimentación del cartucho de cinta en la dirección de la flecha para tensar la cinta.
- 5 Coloque la cubierta invirtiendo el procedimiento descrito en el paso 2 anterior.

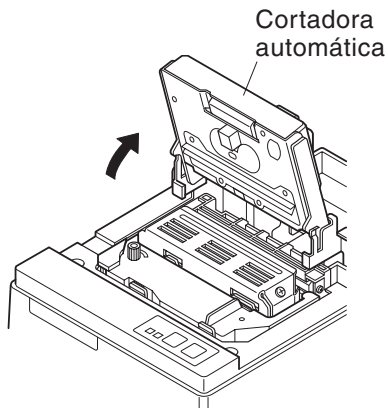


**Nota:** Para quitar el cartucho de cinta, levante la sección A y, a continuación, extráigalo sujetando la sección B tal como se indica en el dibujo.

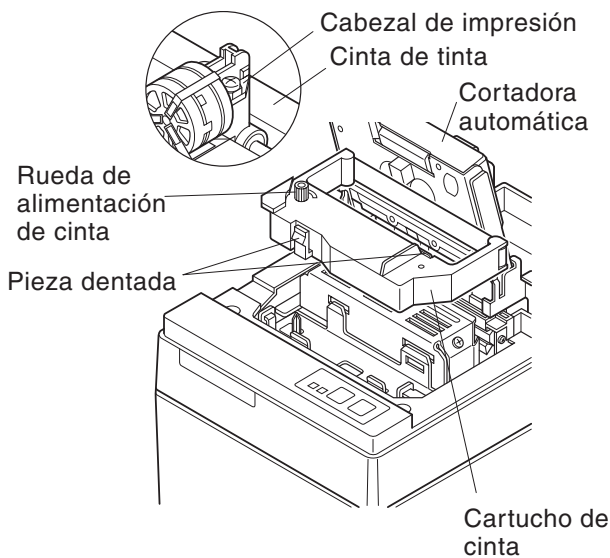
## Carga del cartucho de cinta (Modelo de cortadora automática)



- 1 Desconecte la impresora.
- 2 Levante la cubierta aproximadamente 3 cm. Mantenga la cubierta inclinada en este ángulo y, a continuación, tire de ella hacia usted para quitarla.



- 3 Levante la cortadora automática y colóquela en posición vertical tal y como se indica en el dibujo.

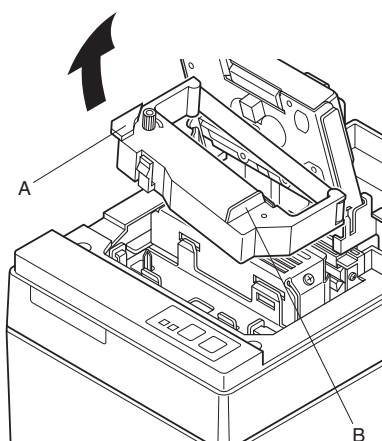


- 4 Coloque el cartucho de cinta en la dirección indicada en el dibujo y presiónelo hacia abajo para cargarlo. Si no se carga correctamente el cartucho de cinta, presiónelo hacia abajo a la vez que gira la rueda de alimentación de la cinta en la dirección de la flecha.

- 5 Gire la rueda de alimentación del cartucho de cinta en la dirección de la flecha para tensar la cinta.

- 6 Cierre la cortadora automática.

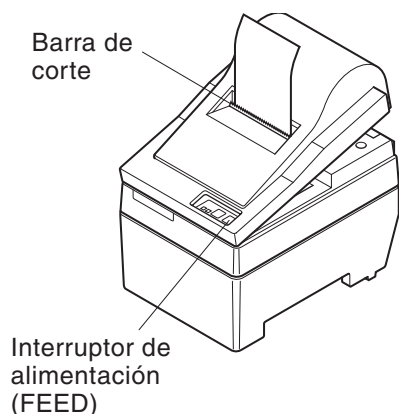
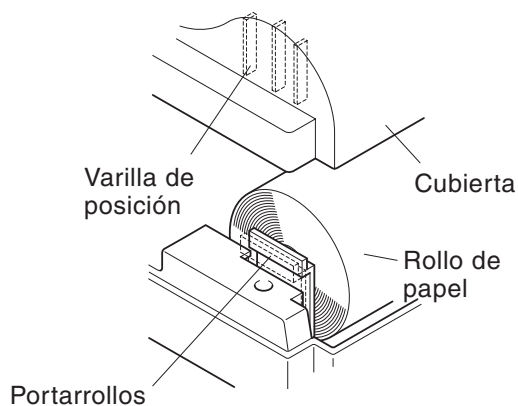
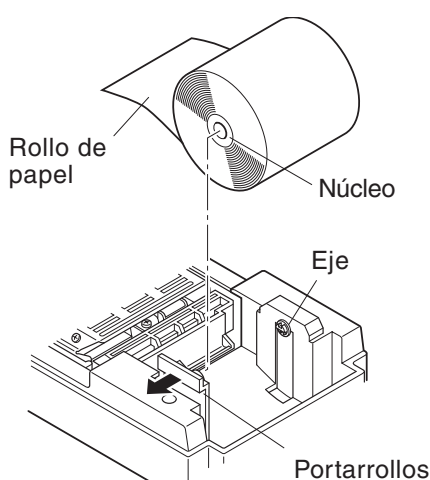
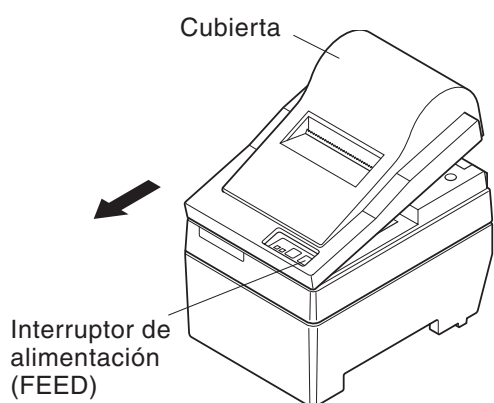
- 7 Coloque la cubierta invirtiendo el procedimiento descrito en el paso 2 anterior.



**Nota:** Para quitar el cartucho de cinta, levante la sección A y, a continuación, extráigalo sujetando la sección B tal como se indica en el dibujo.



## Carga del papel (Modelo de barra de corte)



1 Levante la cubierta aproximadamente 3 cm. Mantenga la cubierta inclinada en este ángulo y, a continuación, tire de ella hacia usted para quitarla.

2 Corte el extremo del rollo de papel perpendicularmente.

3 Asegúrese de que la impresora está encendida.

4 Siguiendo la dirección del rollo de papel, inserte el extremo superior del papel por debajo de la guía del papel hasta que haga tope. Si está instalado el rollo de papel, el extremo superior del papel sale automáticamente por la salida de papel.

5 Mueva el portarrollos en la dirección de la flecha e inserte el rollo de forma que los orificios del núcleo se alineen con los ejes del portarrollos. Suelte el portarrollos para fijar el papel.

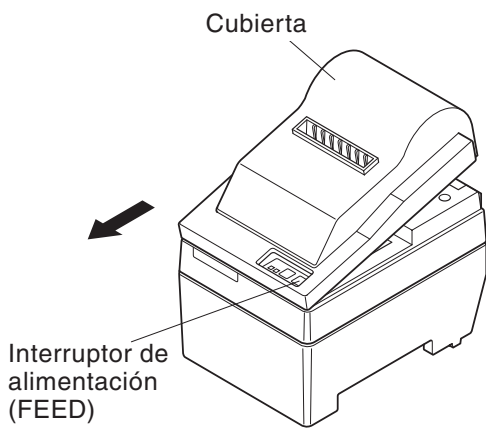
6 Si el núcleo del rollo de papel no se ha alineado correctamente con el portarrollos, no se podrá ajustar correctamente la cubierta hasta que se haya corregido la posición del papel.

7 Pulse el interruptor de alimentación (FEED) para cargar aproximadamente 10 cm de papel.

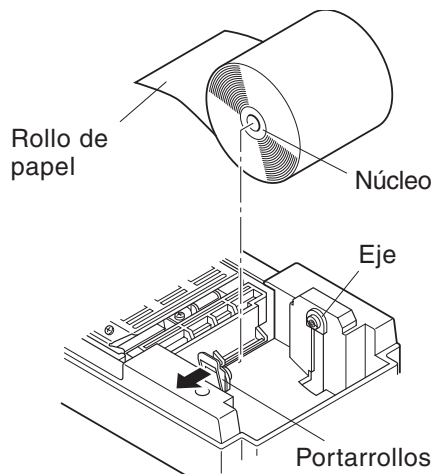
8 Inserte el extremo superior del papel en la ranura de la barra de corte y, a continuación, coloque la cubierta invirtiendo el procedimiento realizado para quitarla en el paso 1 anterior.

**Nota:** Si aparece la marca de fin de papel, sustituya el rollo antes de que se agote.

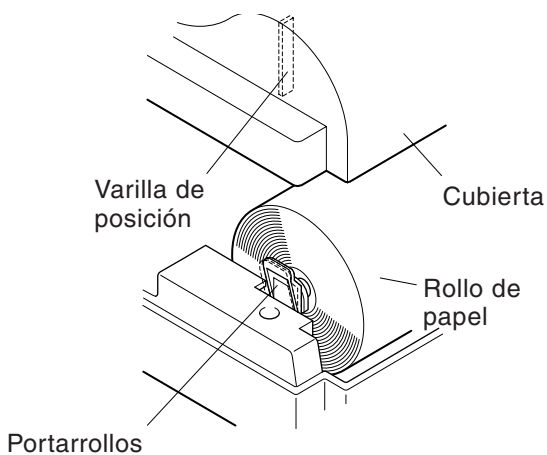
## Carga del papel (Modelo de cortadora automática)



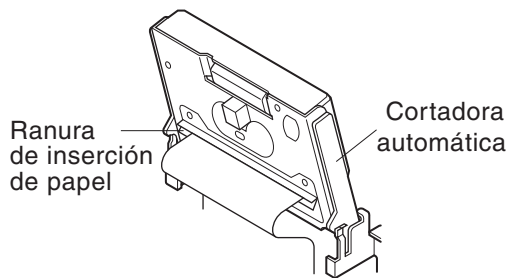
1 Levante la cubierta aproximadamente 3 cm. Mantenga la cubierta inclinada en este ángulo y, a continuación, tire de ella hacia usted para quitarla.



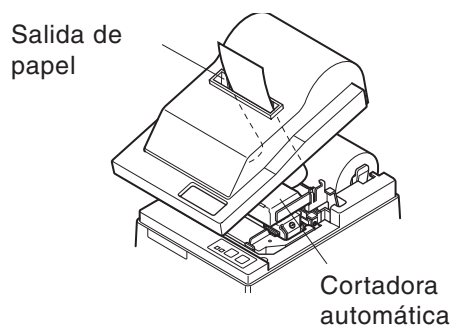
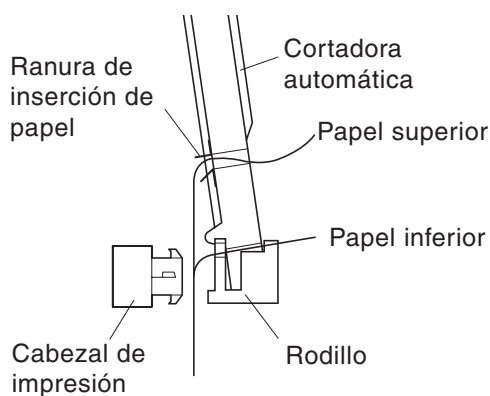
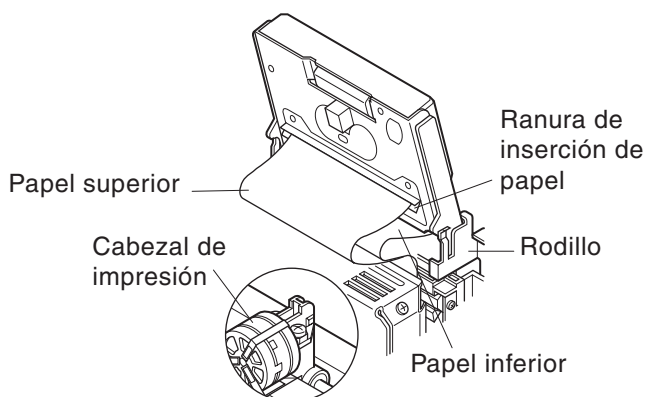
- 2 Corte el extremo del rollo de papel perpendicularmente.
- 3 Asegúrese de que la impresora está encendida.
- 4 Siguiendo la dirección del rollo de papel, inserte el extremo superior del papel por debajo de la guía del papel hasta que haga tope. Si está instalado el rollo de papel, el extremo superior del papel sale automáticamente por la salida de papel. Después de cargar 2 cm de papel, éste se corta automáticamente.
- 5 Mueva el portarrollos en la dirección de la flecha e inserte el rollo de forma que los orificios del núcleo se alineen con los ejes del portarrollos. Suelte el portarrollos para fijar el papel.
- 6 Si el núcleo del rollo de papel no se ha alineado correctamente con el portarrollos, no se podrá ajustar correctamente la cubierta hasta que se haya corregido la posición del papel.



7 Pulse el interruptor de alimentación (FEED) para cargar aproximadamente 10 cm de papel.

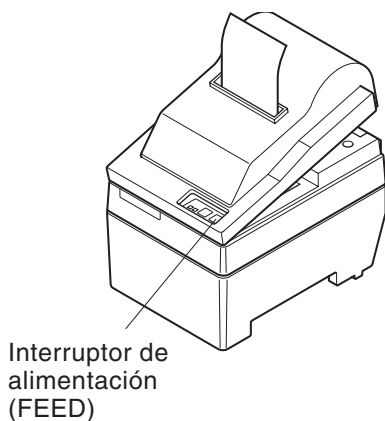


- 8 Inserte el extremo del rollo de papel en la ranura de inserción de papel de la cortadora automática.
- Si se utiliza papel copia, inserte sólo el original (el papel superior) en la ranura de la cortadora automática. Inserte el papel que desea copiar (el papel inferior) entre el rodillo y la cortadora automática.

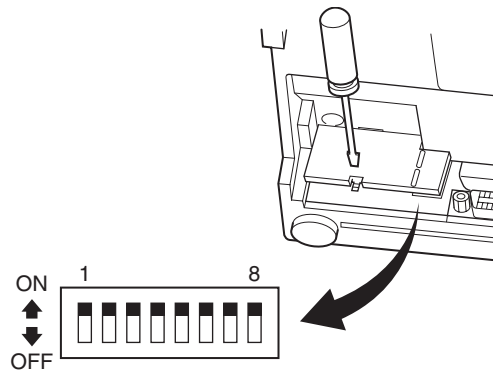


- 9 Tire del borde del papel para tensarlo y, a continuación, baje la cortadora automática.
- 10 Inserte el papel en la salida de papel y, a continuación, coloque nuevamente la cubierta invirtiendo los pasos realizados para quitarla.

**Nota:** Si aparece la marca de fin de papel, sustituya el rollo antes de que se agote.



## Configuración de los interruptores DIP: Tipo de interfaz paralela



### ■ INT-DIP

Int.	Función	ON	OFF
1	Detección de falta de papel	Válido	No válido
2	Código de control CR	No válido	Válido
3	Juego de caracteres internacional	Véase a continuación	
4			
5			
6	Búfer de datos	Disponible (approx. 1 Kb)	No disponible (1 línea)
7	Configuración de generación de caracteres	Véase a continuación	
8			

La configuración de fábrica de los interruptores DIP es todos activados (ON).

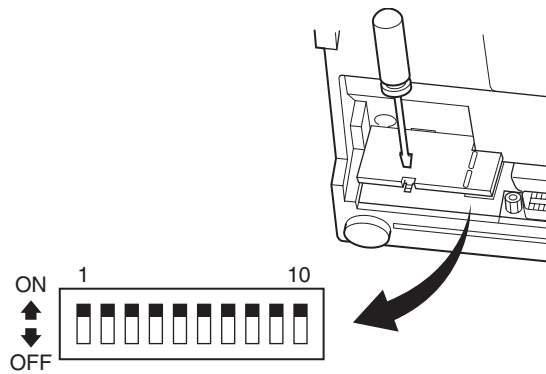
### Juego de caracteres internacional

Int.	EE.UU.	Francia	Alemania	Inglaterra	Dinamarca	Suecia	Italia	España
3	ON	OFF	ON	OFF	ON	OFF	ON	OFF
4	ON	ON	OFF	OFF	ON	ON	OFF	OFF
5	ON	ON	ON	ON	OFF	OFF	OFF	OFF

### Generación de caracteres

Int.	US	EC	JP	JP
7	ON	ON	OFF	OFF
8	ON	OFF	ON	OFF

# Configuración de los interruptores DIP: Tipo de interfaz serie



## ■ INT-DIP

Int.	Función	ON	OFF
1	Modo de comando	Modo STAR	Modo VeriFone
2	Código de control CR	No válido	Válido
3	Juego de caracteres internacional	Véase a continuación	
4			
5			
6	Velocidad de transmisión de datos	Véase a continuación	
7			
8	Bit de datos	8 bits de datos	7 bits de datos
9	Comprobación de paridad	No	Sí
10	Paridad	Impar	Par

La configuración de fábrica de los interruptores DIP es todos activados (ON).

## Juego de caracteres internacional

Int.	EE.UU.	Francia	Alemania	Inglaterra	Dinamarca	Suecia	Italia	España
3	ON	OFF	ON	OFF	ON	OFF	ON	OFF
4	ON	ON	OFF	OFF	ON	ON	OFF	OFF
5	ON	ON	ON	ON	OFF	OFF	OFF	OFF

## Velocidad de transmisión de datos (velocidad en baudios)

Velocidad en baudios	Interruptor 6	Interruptor 7
1200	OFF	OFF
2400	OFF	ON
4800	ON	OFF
9600	ON	ON

## Especificaciones

Método de impresión	Impresión de matriz de puntos por impacto en serie
Número de columnas	42 (16 caracteres por pulgada) 35 (13,4 caracteres por pulgada)
Dirección de impresión	Bidireccional con alimentación por fricción
Anchura de impresión	66 mm como máximo
Espacio entre puntos	0,316 (H) x 0,423 (V) mm
Tamaño de caracteres	1,28 mm de ancho x 2,87 mm de alto (7x7, 16 caracteres por pulgada) 1,59 mm de ancho x 2,87 mm de alto (9x7, 13,4 caracteres por pulgada)
Juego de caracteres	Caracteres alfanuméricos: 95 Caracteres internacionales: 12 Caracteres especiales: 64 Caracteres especiales IBM: 83
Velocidad de impresión	2,5 líneas por segundo aprox.
Velocidad de alimentación del papel	9 líneas por segundo aprox.
Espacio entre líneas	1/6 de pulgada
Estructura de caracteres	7x7 ó 9x7
Interfaz	compatible con RS232C / Centronics
Tamaño de búfer de recepción	1 Kb aprox.
Confiabilidad de impresora	9 millones de líneas Tiempo real calculado MCBF 2,5 millones de líneas MCBF
Duración del cabezal de impresión	75 millones de caracteres
Duración de cortadora	0,3 millones de cortes (parciales o completos)
Temperatura	Funcionamiento: 0 a 50 °C Almacenamiento: -20 a 70 °C
Humedad	Funcionamiento: Humedad relativa de 10 a 90% (sin condensación) Almacenamiento: Humedad relativa de 5 a 95% (sin condensación)
Dimensiones	Modelo de barra de corte: 158 x 234 x 193 (ancho x profundo x alto en mm) Modelo de cortadora automática: 158 x 239,7 x 193 (ancho x profundo x alto en mm)
Peso	Modelo de barra de corte: 3 Kg aprox. Modelo de cortadora automática: 3,4 Kg aprox.

Para obtener los drivers y utilidades más recientes, visite la siguiente dirección URL  
[http://www.star-micronics.co.jp/service/frame\\_sp\\_spr\\_e.htm](http://www.star-micronics.co.jp/service/frame_sp_spr_e.htm).

***IMPRESSORA DE MATRIZ  
DE PONTOS***

**SÉRIE SP200**

***MANUAL DO UTILIZADOR***



**FCC (“Federal Communications Commission”)  
Interferência na frequência de rádio  
Declaração**

Este equipamento foi testado e concluiu-se que está em conformidade com os limites para um dispositivo digital de classe A, de acordo com a secção 15 das normas da FCC. Estes limites foram concebidos para disponibilizar uma protecção razoável contra as interferências perigosas quando o equipamento é utilizado num ambiente comercial. Este equipamento gera, utiliza e pode irradiar energia de frequência rádio e se não for instalado e utilizado de acordo com o manual de instruções pode provocar interferências perigosas nas comunicações via rádio. A utilização deste equipamento numa área residencial poderá provocar interferências perigosas. Se tal for o caso, o utilizador terá de custear a correcção das interferências.

Para estar em conformidade com a norma “Federal Noise Interference”, este equipamento necessita de utilizar um cabo blindado.

*Esta declaração só se aplica às impressoras comercializadas nos E.U.A..*

**Declaração do  
Departamento Canadiano de Comunicações  
Normas relativas às interferências via rádio**

Este aparelho digital não excede os limites da classe A para as emissões de ruído do rádio provenientes de aparelhos digitais definidos nas normas relativas a interferências provenientes do rádio emitidas pelo Departamento Canadiano de Comunicações. Le présent appareil numérique n’émet pas de bruits radioélectriques dépassant les limites applicables aux appareils numériques de la classe A prescrites dans le Règlement sur le brouillage radioélectrique édicté par le ministère des Communications du Canada.

*A declaração acima aplica-se apenas a impressoras comercializadas no Canadá.*

**CE  
Declaração de conformidade do fabricante**

***Directiva do Conselho da CE 89/336/EEC, de 3 de Maio de 1989***

Este produto foi concebido e fabricado de acordo com as normas internacionais EN 61000-6-3/10.2001 e EN 55024/09.98, no seguimento das provisões da directiva relativa à compatibilidade electromagnética da Comunidade Europeia, emitida em Maio de 1989.

***Directiva do Conselho da UE 73/23/EEC e 93/68/EEC, emitida no dia 22 de Julho de 1993***

Este produto foi concebido e fabricado de acordo com as normas internacionais EN 60950, no seguimento das provisões da directiva relativa a baixas tensões da Comunidade Europeia, emitida em Julho de 1993.

*A declaração acima aplica-se apenas a impressoras comercializadas nos E.U.A..*

***Reconhecimentos das marcas comerciais***

**SP200:** Star Micronics Co., Ltd.

**ESC/POS:** Seiko Epson Corporation

***Aviso***

- Todos os direitos reservados. Não é permitida a reprodução de qualquer parte deste manual sob qualquer forma, sem a permissão expressa da STAR.
- O conteúdo deste manual está sujeito a alterações sem aviso prévio.
- Foram realizados todos os esforços para assegurar a exactidão do conteúdo deste manual quando foi impresso. Contudo, se forem detectados alguns erros, a STAR agradecia imenso que fosse informada desses erros.
- Desta forma, a STAR não assume qualquer tipo de responsabilidade pelos erros existentes neste manual.

© Copyright 2003 Star Micronics Co., LTD.



## Informações relativas à segurança

---

### **Importante!**

*Certifique-se de que a impressora está desactivada e desligada da tomada AC e de que o computador está desligado antes de realizar as ligações.*

---

### **Importante!**

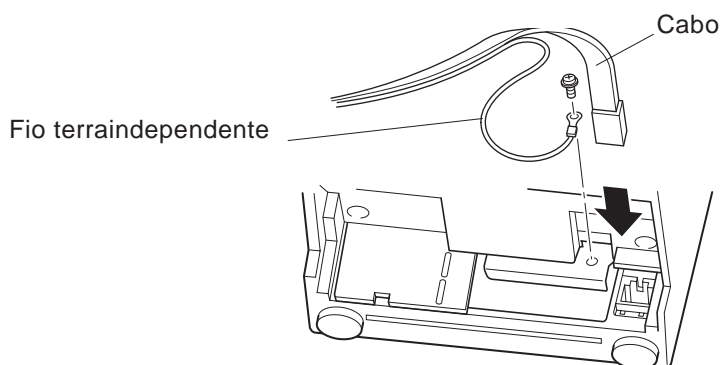
*Não ligue uma linha telefónica ao conector da unidade periférica. Se o fizer, pode danificar a impressora.*

*Além disso, por questões de segurança, não ligue nenhum fio ao conector da unidade externa, se houver a hipótese de transportar tensão periférica.*

---

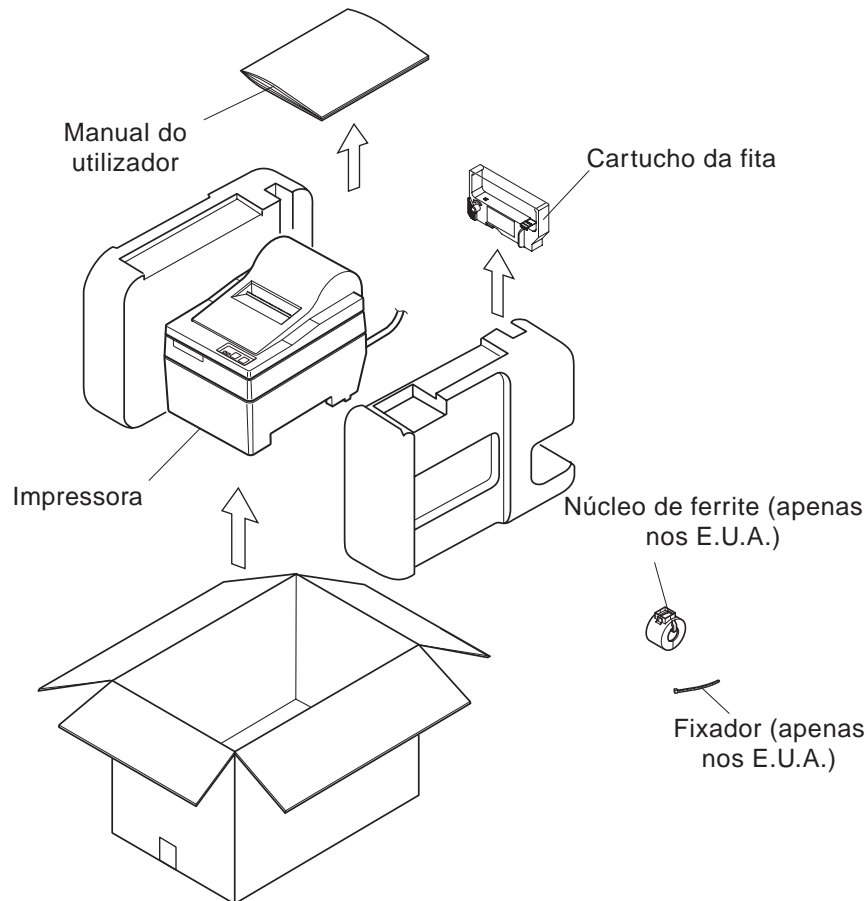
### **Ligação do fio terra. (Apenas na Europa.)**

Retire o parafuso mostrado na figura abaixo e, de seguida, aperte o terminal do fio terra ao local onde o parafuso foi removido e aperte o parafuso.



## Desempacotamento

- ✓ Impressora
- ✓ Manual do utilizador
- ✓ Cartucho da fita
- ✓ Núcleo de ferrite (apenas nos E.U.A.)
- ✓ Fixador (apenas nos E.U.A.)



## Escolha um local para colocar a impressora

Antes de desempacotar a impressora, demore alguns minutos a pensar onde planeia utilizá-la. Lembre-se dos seguintes pontos quando pensar nisso:

- ✓ Escolha uma superfície firme e plana onde a impressora não seja exposta a vibrações.
- ✓ A tomada que planeia ligar à corrente deverá estar perto e desobstruída.
- ✓ Certifique-se de que a impressora está suficientemente perto do computador anfitrião para ligar os dois dispositivos.
- ✓ Certifique-se de que a impressora não está exposta à luz solar directa.
- ✓ Certifique-se de que a impressora está suficientemente afastada de aquecedores e de outras fontes de calor extremo.
- ✓ Certifique-se de que a área circundante está limpa, seca e sem pó.
- ✓ Certifique-se de que a impressora está ligada a uma tomada fidedigna. A tomada não pode estar instalada no mesmo circuito eléctrico do que as fotocopiadoras, refrigeradores ou outras aplicações que provoquem picos de corrente.
- ✓ Certifique-se de que a sala onde está a utilizar a impressora não é demasiado húmida.

## Itens consumíveis

Quando os itens consumíveis acabarem, utilize os itens especificados na tabela abaixo.

### (1) Especificações do rolo de papel

Tipo de papel:	Papel de cópia sem carbono e com uma ligação normal
Largura do papel:	76±0,5 mm (3,0 polegadas)
Diâmetro do rolo:	ø85 mm (3,35 polegadas) no máximo.
Diâmetro interno do rolo:	ø12±1 mm

Nota: o papel tem de estar colado ao núcleo.

Espessura: Modelo da barra de resistência (única) entre 70  $\mu\text{m}$  e 100  $\mu\text{m}$   
(cópias) Original + 2 cópias (Máximo de 200  $\mu\text{m}$ )

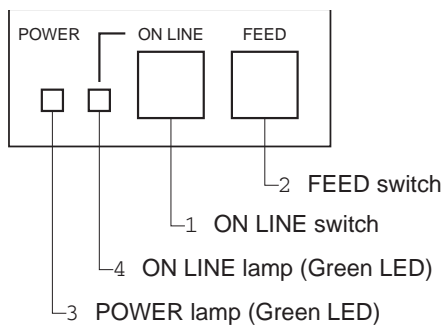
Modelo do cortador automático (única) entre 70  $\mu\text{m}$  e 100  $\mu\text{m}$   
(cópias) Original + 1 cópias (Máximo de 100  $\mu\text{m}$ )

Nota: o cortador automático incorporado neste modelo de cortador automático, foi concebido para uma espessura de papel máxima de 100  $\mu\text{m}$ . Esta espessura está definida para uma capacidade máxima do papel de 2 camadas, onde cada folha está definida para 50  $\mu\text{m}$ . Se exceder a especificação do cortador automático da espessura do papel de 100,  $\mu\text{m}$  não assegura o corte correcto.

### (2) Especificações da tinta da fita

Tipo de fita:	Cartucho
Cor:	Tipo SP212/242: Cor única (púrpura ou preto) Tipo SP216/246: Duas cores (preto e vermelho)
Material da fita:	Nylon 66 (#40 denier)
Duração da fita:	Uma única cor: Púrpura 3000000 caracteres Preto 1200000 caracteres Duas cores: Preto em 600000 caracteres de duas cores Vermelho em 300000 caracteres de duas cores

## Painel de controlo



### ① Botão ON LINE

Alterna a impressora entre ON LINE e OFF LINE. A alternância da impressora entre ON LINE e OFF LINE, só é possível quando o papel está introduzido na impressora.

### ② Botão FEED

- Quando este botão é premido e, de seguida, libertado no espaço de 0,5 segundos, o papel é introduzido linha a linha.
- Quando este botão não é premido durante mais do que 0,5 segundos, o papel é alimentado continuamente. (A operação de alimentação do papel acima referida, é possível de realizar nos modos ON LINE e OFF LINE.)

### ③ Botão POWER (LED verde)

- Acende quando a impressora está ligada.
- Pisca quando o papel está fora, quando ocorrem erros mecânicos, quando há um alarme devido à detecção de temperatura na cabeça ou quando ocorre um erro na CPU.
- Se o papel estiver fora, introduza papel novo e prima o botão ON LINE.
- Quando a lâmpada POWER pisca por causa da ocorrência de um erro mecânico, desligue a impressora e corrija o motivo do erro mecânico e, de seguida, volte a ligar a impressora para reiniciar o dispositivo.
- Se a lâmpada POWER piscar por causa do disparo do alarme de detecção da temperatura da cabeça, a impressora é definida automaticamente quando a temperatura da cabeça baixa.

### ④ Lâmpada ON LINE (LED verde)

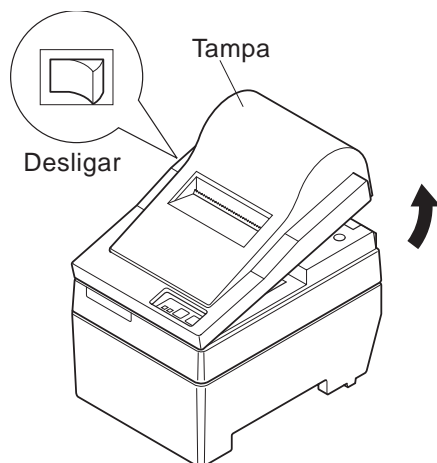
LED acesso: a impressora está ON LINE

LED apagado: a impressora está OFF LINE

LED a piscar: erro na CPU

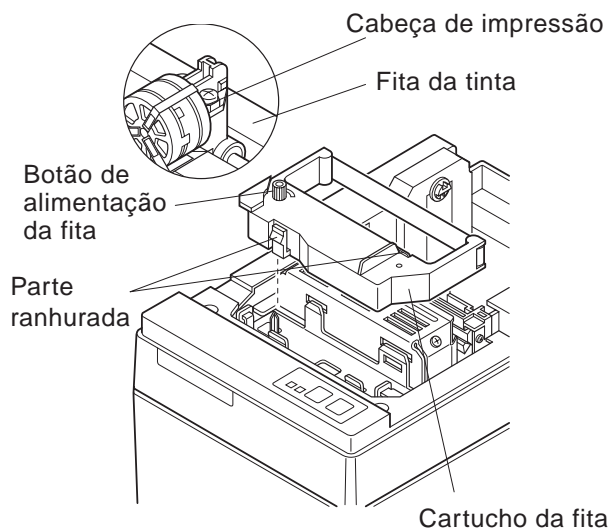
Quando as lâmpadas POWER e ON LINE acendem simultaneamente, é porque ocorreu um erro na CPU.

## Colocação do cartucho da fita (modelo da barra de resistência)

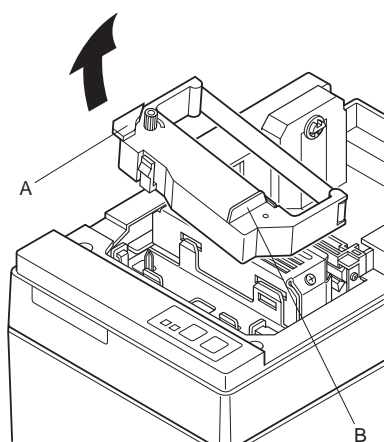


### ① Desligue a impressora.

- ### ② Levante a tampa aproximadamente 3 cm. Segure na tampa inclinada com este ângulo e, de seguida, desloque-a na sua direcção para a retirar.

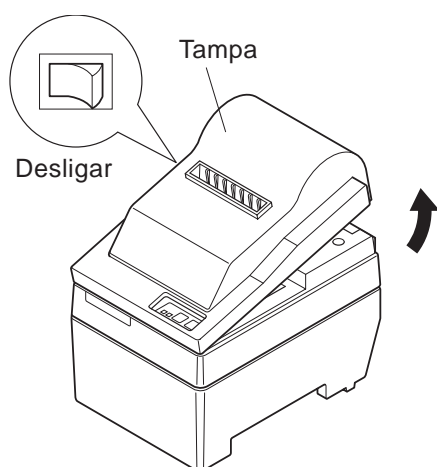


- ③ Coloque o cartucho da fita na direcção mostrada na figura e, de seguida, prima-a para o introduzir. Se a colocação do cartucho da fita não estiver correcta, prima o cartucho, enquanto roda o botão de alimentação da fita na direcção da seta.
- ④ Rode o botão de alimentação da fita do cartucho da fita na direcção da seta para esticar a fita.
- ⑤ Para voltar a colocar a tampa realize o procedimento referido no passo ② acima.

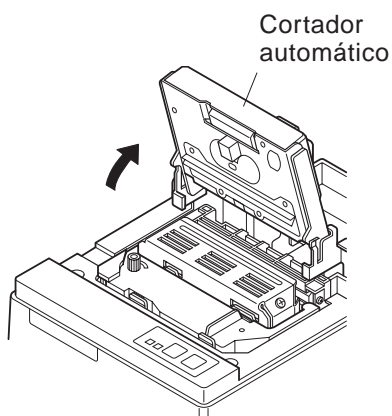


**Nota:** quando remover o cartucho da fita, levante a secção A e, de seguida, retire-a segurando na secção B como é apresentado na figura.

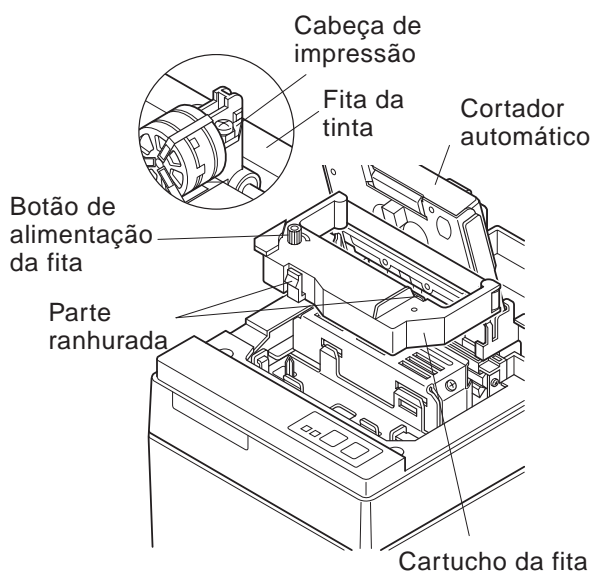
## Colocação do cartucho da fita (modelo do cortador automático)



- ① Desligue a impressora.
- ② Levante a tampa aproximadamente 3 cm. Segure na tampa inclinada com este ângulo e, de seguida, desloque-a na sua direcção para a retirar.



- ③ Levante o cortador automático e coloque-o numa posição vertical, como mostra a figura.

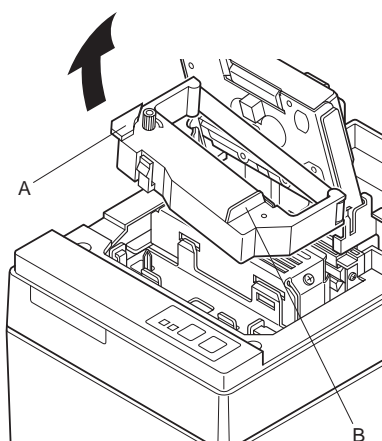


- ④ Coloque o cartucho da fita na direcção mostrada na figura e, de seguida, prima-a para o introduzir. Se a colocação do cartucho da fita não estiver correcta, prima o cartucho, enquanto roda o botão de alimentação da fita na direcção da seta.

- ⑤ Rode o botão de alimentação da fita do cartucho da fita na direcção da seta para esticar a fita.

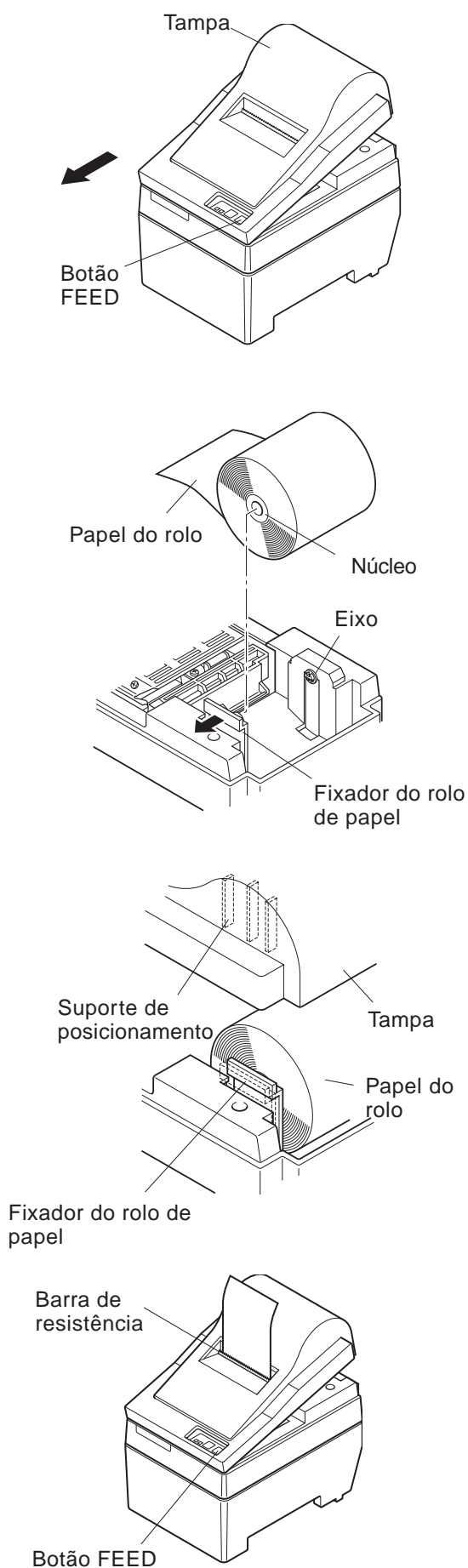
- ⑥ Feche o cortador automático.

- ⑦ Para voltar a colocar a tampa realize o procedimento referido no passo ② acima.



**Nota:** quando remover o cartucho da fita, levante a secção A e, de seguida, retire-a segurando na secção B como é apresentado na figura.

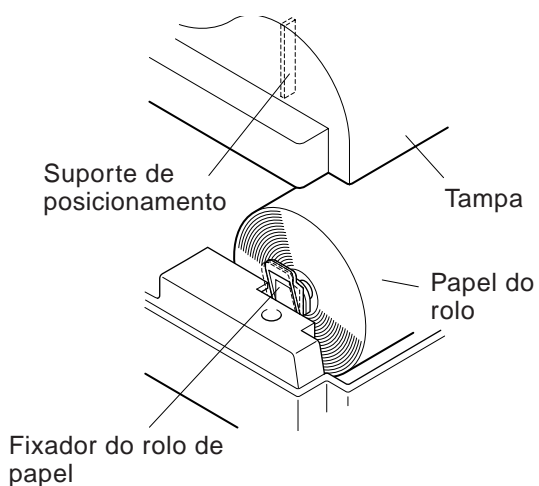
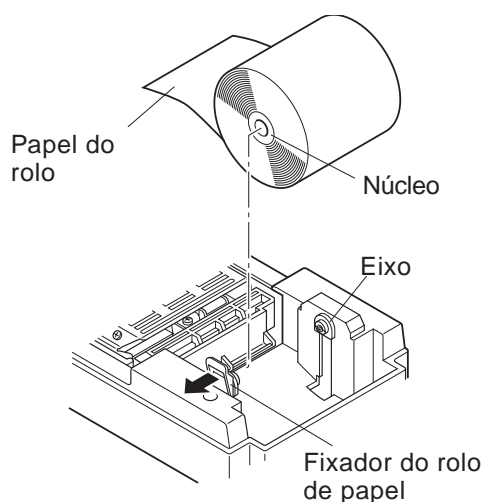
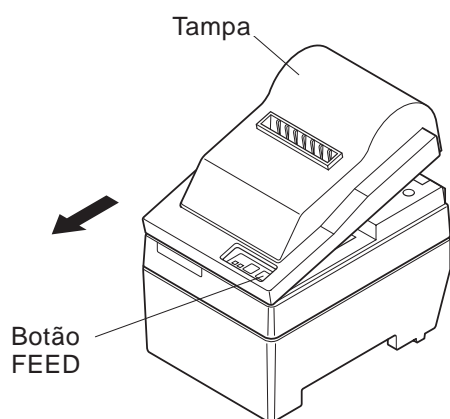
## Colocação do papel (modelo da barra de resistência)



- ① Levante a tampa aproximadamente 3 cm. Mantenha a tampa inclinada para este ângulo e, de seguida, desloque-a na sua direcção para a retirar.
- ② Corte a extremidade frontal do papel do rolo na perpendicular.
- ③ Confirme se a impressora está ligada.
- ④ Enquanto observa a direcção do papel do rolo, introduza a extremidade superior do papel por baixo do guia do papel. Se o papel do rolo estiver colocado, a extremidade do topo do papel sai automaticamente da saída do papel.
- ⑤ Desloque o fixador do rolo de papel na direcção da seta e introduza o rolo de forma que os orifícios localizados no núcleo fiquem alinhados com os eixos do fixador do rolo de papel. Liberte o fixador do rolo de papel para fixar o papel.
- ⑥ Se o núcleo do rolo de papel não estiver correctamente alinhado com o fixador do rolo de papel, não é possível colocar a tampa até a posição do papel estar corrigida.
- ⑦ Prima o botão FEED (alimentação do papel) para alimentar o papel aproximadamente 10 cm.
- ⑧ Introduza a extremidade superior do papel na ranhura da barra de resistência e, de seguida, coloque a tampa através da realização do processo inverso descrito no passo ① acima.

**Nota:** quando a marca da extremidade do papel aparecer na folha, substitua o papel do rolo antes que este acabe.

## Colocação do papel (modelo do cortador automático)



① Levante a tampa aproximadamente 3 cm. Mantenha a tampa inclinada para este ângulo e, de seguida, desloque-a na sua direcção para a retirar.

② Corte a extremidade frontal do papel do rolo na perpendicular.

③ Confirme se a impressora está ligada.

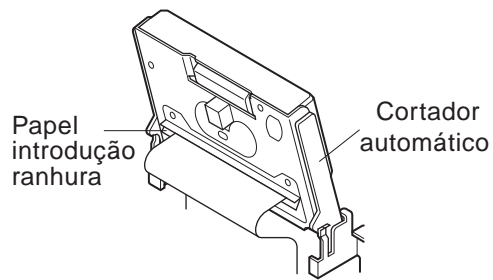
④ Enquanto observa a direcção do papel do rolo, introduza a extremidade superior do papel por baixo do guia do papel. Se o papel do rolo estiver colocado, a extremidade do topo do papel sai automaticamente da saída do papel. Depois de 2 cm do papel terem sido extraídos, o papel é cortado automaticamente.

⑤ Desloque o fixador do rolo de papel na direcção da seta e introduza o rolo de forma que os orifícios localizados no núcleo fiquem alinhados com os eixos do fixador do rolo de papel. Liberte o fixador do rolo de papel para fixar o papel.

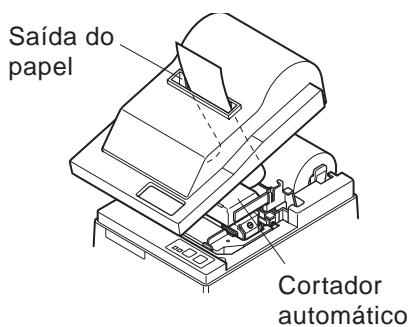
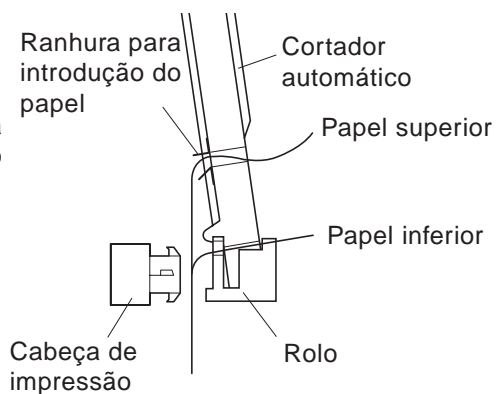
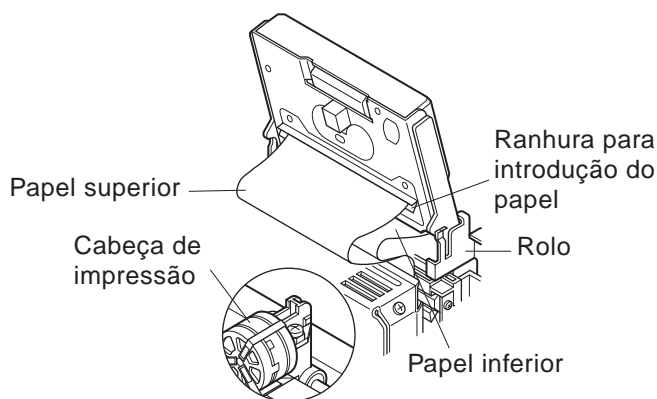
⑥ Se o núcleo do rolo de papel não estiver correctamente alinhado com o fixador do rolo de papel, não é possível colocar a tampa até a posição do papel estar corrigida.

⑦ Prima o botão FEED (alimentação do papel) para alimentar o papel aproximadamente 10 cm.



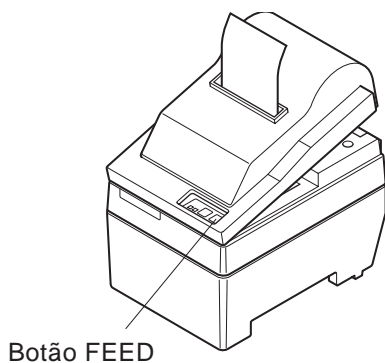


- ⑧ Introduza a ponta do papel do rolo na ranhura do cortador automático de papel.
- Quando utilizar papel de cópia, introduza apenas o original (o papel de cima) na ranhura do cortador automático. Introduza o papel a ser copiado (o papel inferior) entre o rolo e o cortador automático.

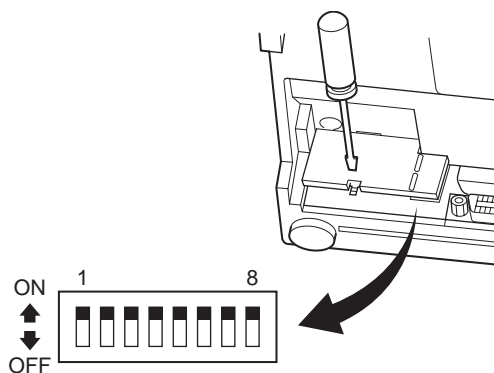


- ⑨ Puxe a extremidade do papel para o esticar e, de seguida, baixe o cortador automático.
- ⑩ Introduza o papel através da saída do papel e, de seguida, volte a colocar a tampa através da realização dos passos no sentido inverso.

**Nota:** quando a marca da extremidade do papel aparecer na folha, substitua o papel do rolo antes que este acabe.



## Definições do interruptor DIP – tipo de interface paralelo



### ■ DIP-SW

Interruptor	Função	ON	OFF
1	Detecção de papel fora	Válido	Inválido
2	Código de controlo de retorno do carro	Inválido	Válido
3	Definição de caracteres internacionais	Ver abaixo	
4			
5			
6	Memória intermédia de dados	Disponível (aprox. 1k byte)	Indisponível (1 linha)
7	Definição de geração de caracteres	Ver abaixo	
8			

As definições do fabricante do interruptor DIP estão todas activas.

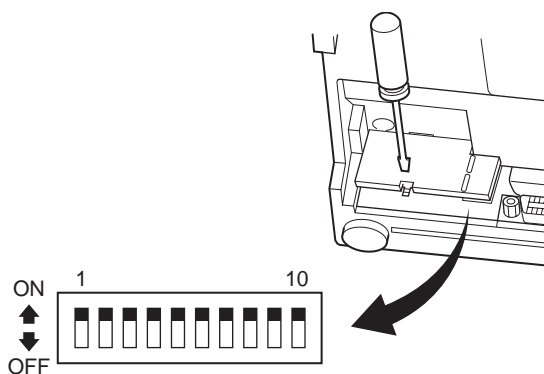
### □ Definição de caracteres internacionais

Interruptor	E.U.A.	França	Alemanha	Inglaterra	Dinamarca	Suécia	Itália	Espanha
3	ON	OFF	ON	OFF	ON	OFF	ON	OFF
4	ON	ON	OFF	OFF	ON	ON	OFF	OFF
5	ON	ON	ON	ON	OFF	OFF	OFF	OFF

### □ Geração de caracteres

Interruptor	E.U.A.	CE	JP	JP
7	ON	ON	OFF	OFF
8	ON	OFF	ON	OFF

## Definições do interruptor DIP – tipo de interface série



### ■ DIP-SW

Interruptor	Função	ON	OFF
1	Modo de comando	Modo STAR	Modo VeriFone
2	Código de controlo de retorno do carro	Inválido	Válido
3	Definição de caracteres internacionais	Ver abaixo	
4			
5			
6	Velocidade de transmissão de dados	Ver abaixo	
7			
8	Bit de dados	Bit de dados 8	Bit de dados 7
9	Verificação da paridade	Não	Sim
10	Paridade	Ímpar	Par

As definições do fabricante do interruptor DIP estão todas activas.

### Definição de caracteres internacionais

Interruptor	E.U.A.	França	Alemanha	Inglaterra	Dinamarca	Suécia	Itália	Espanha
3	ON	OFF	ON	OFF	ON	OFF	ON	OFF
4	ON	ON	OFF	OFF	ON	ON	OFF	OFF
5	ON	ON	ON	ON	OFF	OFF	OFF	OFF

### Velocidade de transmissão de dados

Velocidade de transmissão	Interruptor 6	Interruptor 7
1200	OFF	OFF
2400	OFF	ON
4800	ON	OFF
9600	ON	ON

## Especificações

Método de impressão	Impressão matriz de pontos por impacto série
Número de colunas	42 (16 cpi) 35 (13,4 cpi)
Direcção da impressão	Bidireccional com alimentação por fricção
Largura de impressão	Máximo de 66 mm
Espaço entre os pontos	0,316 (H) x 0,423 (V) mm
Tamanho dos caracteres	1,28 L x 2,87 H mm (7x7, 16 cpi) 1,59 L x 2,87 H mm (9x7, 13,4 cpi)
Conjunto dos caracteres	Caracteres alfanuméricos: 95 Caracteres internacionais: 12 Caracteres especiais: 64 Caracteres especiais da IBM: 83 Aproximadamente 2,5 linhas/seg.
Velocidade de impressão	
Velocidade de alimentação do papel	Aproximadamente 9 linhas/seg.
Espaçamento entre linhas	1/6 polegadas
Estrutura dos caracteres	7x7 ou 9x7
Interface	RS232C/compatível com o Centronics
Tamanho da memória intermédia recebida	Aproximadamente 1K byte
Fiabilidade da impressora	9 milhões de linhas Tempo real calculado MCBF 2,5 milhões de linhas MCBF
Duração da cabeça de impressão	75 milhões de caracteres
Duração do cortador	0,3 milhões de cortes (corte total ou parcial)
Temperatura	Funcionamento: entre 0 e 50 °C Armazenamento: entre -20 e 70 °C
Humidade	Funcionamento: entre 10 e 90% RH (sem condensação) Armazenamento: entre 5 e 95% RH (sem condensação)
Dimensões	Modelo da barra de resistência: 158 x 234 x 193 (LxPxA mm) Modelo do cortador automático: 158 x 239,7 x 193 (LxPxA mm)
Peso	Modelo da barra de resistência: Aproximadamente 3 kg Modelo do cortador automático: Aproximadamente 3,4 kg

Aceda ao seguinte URL:

[http://www.star-micronics.co.jp/service/frame\\_sp\\_spr\\_e.htm](http://www.star-micronics.co.jp/service/frame_sp_spr_e.htm)

para obter os mais recentes controladores e utilitários da impressora.

***DOT MATRIX PRINTER***  
**SP200-SERIE**  
***GEBRUIKERSHANDLEIDING***



**Federal Communications Commission  
Storing van radiofrequenties  
Verklaring**

Deze apparatuur blijkt volgens tests te voldoen aan de criteria voor computerapparatuur van klasse A, overeenkomstig deel 15 van het FCC-reglement. Deze regels beogen een redelijke bescherming te bieden tegen storingen wanneer de apparatuur in een zakelijke omgeving wordt gebruikt. In deze apparatuur wordt elektrische energie op radiofrequenties opgewekt, die storing kan veroorzaken in radio- en TV-ontvangst als hij niet volgens de in deze handleiding gegeven voorschriften wordt aangesloten of gebruikt. Gebruik ervan in een woonomgeving kan storing veroorzaken; in dat geval is de gebruiker verplicht om de storing op zijn kosten te verhelpen.

Ingevolge de Federal Noise Interference Standard is voor deze apparatuur een afgeschermd kabel vereist.

*Deze verklaring is alleen van toepassing op printers die in de Verenigde Staten op de markt worden gebracht.*

**Verklaring van het  
Canadese Ministerie van Communicatie  
Voorschriften inzake Radiostoring**

Deze digitale apparatuur blijft binnen de grenzen van klasse A voor radiostoringen die door digitale apparatuur worden veroorzaakt, zoals uiteengezet in de Voorschriften inzake Radiostoring van het Canadese Ministerie van Communicatie.

Le présent appareil numérique n'émet pas de bruits radioélectriques dépassant les limites applicables aux appareils numériques de la classe A prescrites dans le Règlement sur le brouillage radioélectrique édicté par le ministère des Communications du Canada.

*Bovenstaande verklaring is alleen van toepassing op printers die in Canada op de markt worden gebracht.*

**CE  
Conformiteitsverklaring van fabrikant**

**Europese richtlijn 89/336/EEC van 3 mei 1989**

Dit product is ontwikkeld en gefabriceerd volgens de internationale normen EN 61000-6-3/10.2001 en EN 55024/09.98 zoals bepaald in de richtlijn voor elektromagnetische compatibiliteit van de Europese Gemeenschap van mei 1989.

**Europese richtlijnen 73/23/EEC en 93/68/EEC van 22 juli 1993**

Dit product is ontwikkeld en gefabriceerd volgens de internationale normen EN 60950 zoals bepaald in de laagspanningsrichtlijn van de Europese Gemeenschap van juli 1993.

*Bovenstaande bepaling is alleen van toepassing op printers die in de Europese Unie op de markt worden gebracht.*

**Verklaring over handelsmerken**

**SP200:** Star Micronics Co., Ltd.

**ESC/POS:** Seiko Epson Corporation

**Opmerking**

↑ Alle rechten voorbehouden. Niets uit deze handleiding mag in welke vorm dan ook worden veelevoudigd zonder voorafgaande uitdrukkelijke toestemming van STAR.

↑ De inhoud van deze handleiding kan zonder voorafgaande kennisgeving worden gewijzigd.

↑ Tot het ter perse gaan van deze handleiding is al het mogelijke gedaan om de juistheid van de inhoud hiervan te waarborgen. Mochten er desondanks fouten in voorkomen, zal STAR het op prijs stellen hierover te worden geïnformeerd.

↑ STAR aanvaardt evenwel geen aansprakelijkheid voor eventuele fouten in deze handleiding.

© Copyright 2003 Star Micronics Co., LTD.

## Veiligheidsrichtlijnen

---

### **Belangrijk!**

*Zorg dat de printer is uitgeschakeld, dat de voedingskabel is losgemaakt en dat de computer is uitgeschakeld als u de apparatuur gaat aansluiten.*

---

### **Belangrijk!**

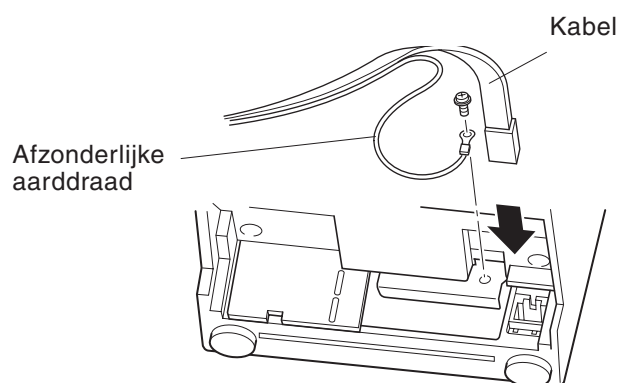
*Sluit geen telefoonkabel aan op de connector voor randapparatuur. Anders kan de printer defect raken.*

*In verband met de veiligheid mag bedrading waar mogelijk spanning op staat niet op de connector worden aangesloten.*

---

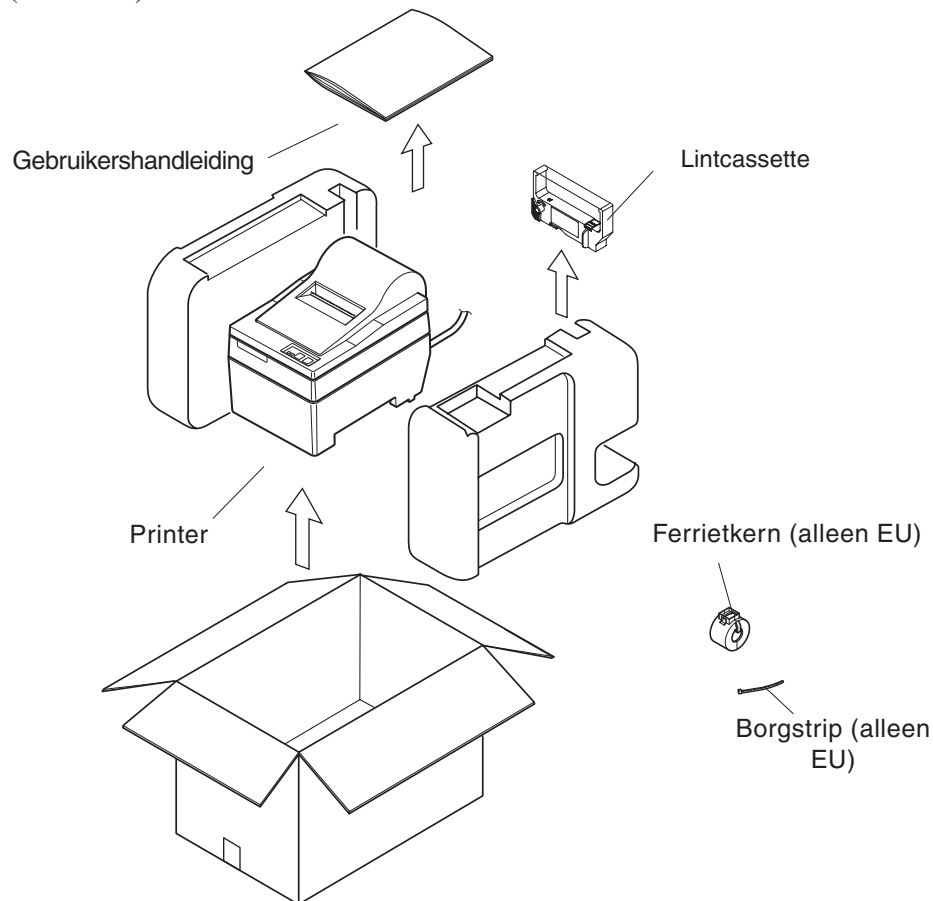
### **Aarddraad aansluiten. (Alleen EU)**

Draai de in onderstaande afbeelding getoonde schroef los, sluit de aarddraad hierop aan en draai de schroef weer vast.



## Uitpakken

- ✓ Printer
- ✓ Gebruikershandleiding
- ✓ Lintcassette
- ✓ Ferrietkern (alleen EU)
- ✓ Borgstrip (alleen EU)



## Kies een geschikte plaats voor de printer

Denk, voordat u met uitpakken begint, even rustig na over de plaats waar de printer gebruikt zal worden. Houd daarbij rekening met de volgende punten.

- ✓ Kies een stevig en effen oppervlak waar de printer niet blootstaat aan trillingen.
- ✓ Het stopcontact dat u wilt gebruiken moet zich dicht bij de printer bevinden en gemakkelijk bereikbaar zijn.
- ✓ Zorg met het oog op de aansluiting dat de printer niet te ver uit de buurt van de hostcomputer staat.
- ✓ Stel de printer niet bloot aan direct zonlicht.
- ✓ Zorg voor voldoende afstand tussen de printer en verwarmingstoestellen of andere warmtebronnen.
- ✓ Houd de omgeving van de printer schoon, droog en stofvrij.
- ✓ Sluit de printer aan op een betrouwbaar stopcontact. Kies geen groep waarop ook kopieermachines, koelkasten of andere apparaten zijn aangesloten die spanningspieken kunnen veroorzaken.
- ✓ Gebruik de printer niet in een ruimte die erg vochtig kan worden.



## Verbruiksartikelen

Zie onderstaande tabel voor aanvulling van verbruiksartikelen.

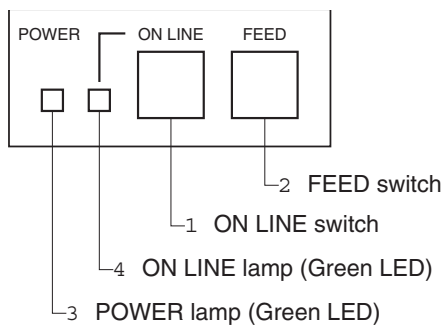
### (1) Specificaties papierrol

Papiertype:	Gewoon bankpost- en zelfkopiërend papier
Papierbreedte:	76±0,5 mm
Roldiameter:	max. ø85 mm
Binnendiameter rol:	ø12±1 mm
	Opmerking: Het papier mag niet aan de kern gelijmd zijn.
Dikte: Model met scheurrand	(1 pagina) 70 µm tot 100 µm (kopieën) Origineel + 2 kopieën (max. 200 µm)
Model met automatisch snijsysteem	(1 pagina) 70 µm tot 100 µm (kopieën) Origineel + 1 kopie (max. 100 µm)
	Opmerking: Het in dit model aanwezige automatische snijsysteem is ontworpen voor een maximale papierdikte van 100 µm. Deze dikte is gebaseerd op een maximale capaciteit van 2-laags papier, waarbij elk vel 50 µm is. Bij overschrijding van de waarde 100 µm papierdikte kan de betrouwbare werking van het snijsysteem niet worden gegarandeerd.

### (2) Specificaties inktlint

Linttype:	Cassette
Kleur:	SP212/242-type: Eén kleur (paars of zwart) SP212/246-type: Twee kleuren (zwart en rood)
Lintmateriaal:	Nylon 66 (#40 denier)
Levensduur lint:	Eén kleur: paars 3.000.000 tekens zwart 1.200.000 tekens Twee kleuren: zwart op tweekleurenlint 600.000 tekens rood op tweekleurenlint 300.000 tekens

## Bedieningspaneel



- 1 ON LINE-schakelaar  
Schakelt om tussen ON LINE en OFF LINE. Omschakelen tussen ON LINE en OFF LINE is alleen mogelijk als de printer papier bevat.
- 2 FEED-schakelaar
  - Als deze schakelaar korter dan 0,5 seconde wordt ingedrukt, dan wordt het papier regel na regel doorgevoerd.
  - Als deze schakelaar langer dan 0,5 seconde wordt ingedrukt, dan wordt continu papier aangevoerd. (Deze manier van papieraanvoer werkt in de standen ON LINE en OFF LINE.)

### 3 POWER-lampje (groene LED)

- Brandt als de printer is ingeschakeld.
- Knippert als het papier op is, bij een mechanische fout, bij een alarm voor oververhitting van de printkop en bij een CPU-fout.
- Is het papier op, vul dan papier aan en druk daarna op de ON LINE-schakelaar.
- Als het POWER-lampje knippert vanwege een mechanische fout, schakel de printer dan uit. Daarna heft u de oorzaak van de fout op en schakelt u de printer weer in, zodat een reset wordt uitgevoerd.
- Als het POWER-lampje knippert omdat de printkop te warm is geworden, dan wordt de printer automatisch weer bedrijfsklaar zodra die printkop voldoende is afgekoeld.

### 4 ON LINE-lampje (groene LED)

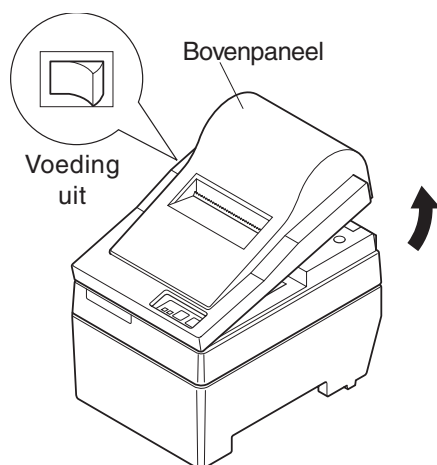
LED brandt: Printer is ON LINE

LED gedoofd: Printer is OFF LINE

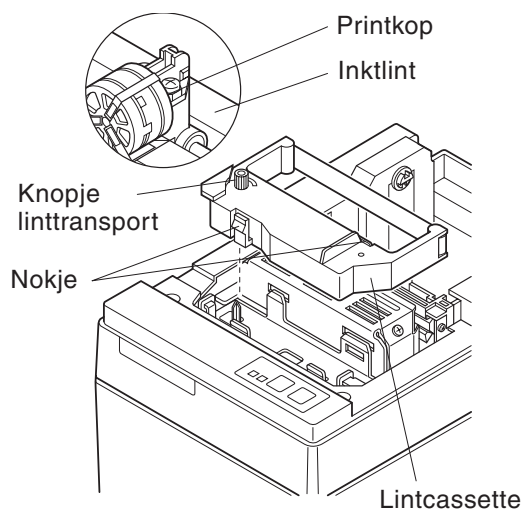
LED knippert: CPU-fout

Als het POWER-lampje en het ON LINE-lampje tegelijk branden, is er een CPU-fout opgetreden.

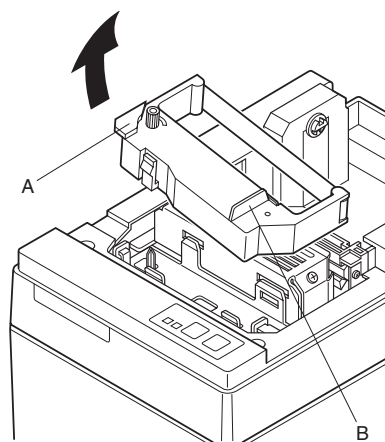
## Lintcassette plaatsen (model met scheurrand)



- 1 Schakel de voeding van de printer uit.
- 2 Trek het bovenpaneel ongeveer 3 cm omhoog, houd het in die positie en trek het naar u toe om het los te maken.

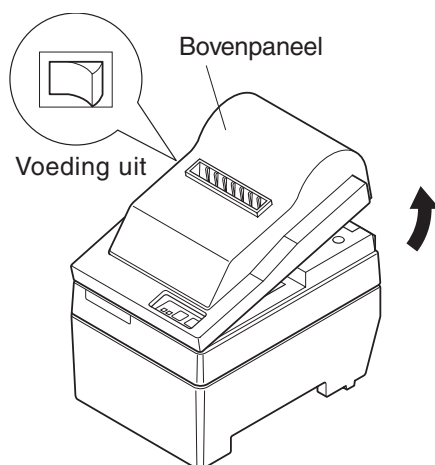


- 3 Houd de lintcassette in de stand zoals in de afbeelding en druk de cassette in de printer. Als de lintcassette niet goed is geplaatst, druk de cassette dan naar onder en verdraai tegelijk het knopje voor lintransport in de richting van de pijl.
- 4 Draai het knopje voor lintransport in de richting van de pijl om het lint strak te trekken.
- 5 Breng het bovenpaneel weer aan door de procedure van stap 2 in omgekeerde volgorde uit te voeren.

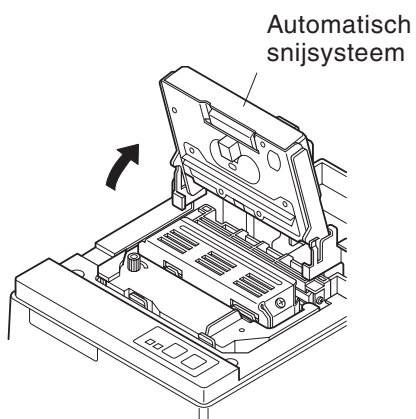


**N.B.:** Voor het verwijderen van de lintcassette trekt u die bij punt A omhoog en daarna pakt u de cassette bij punt B vast om hem te verwijderen.

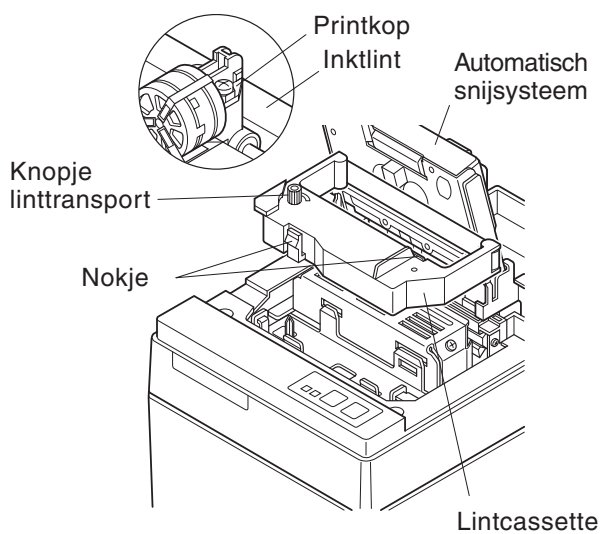
## Lincassette plaatsen (model met automatisch snijsysteem)



- 1 Schakel de voeding van de printer uit.
- 2 Trek het bovenpaneel ongeveer 3 cm omhoog, houd het in die positie en trek het naar u toe om het los te maken.



- 3 Trek het snijsysteem omhoog in de verticale stand, zoals in de afbeelding is aangegeven.

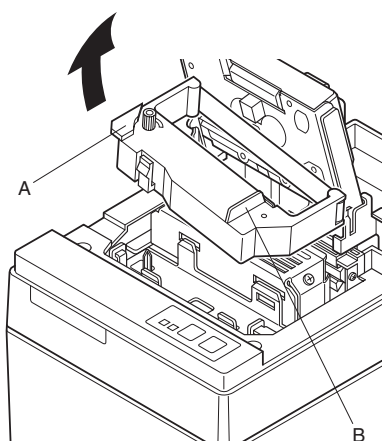


- 4 Houd de lintcassette in de stand zoals in de afbeelding en druk de cassette in de printer. Als de lintcassette niet goed is geplaatst, druk de cassette dan naar onder en verdraai tegelijk het knopje voor lintransport in de richting van de pijl.

- 5 Draai het knopje voor lintransport in de richting van de pijl om het lint strak te trekken.

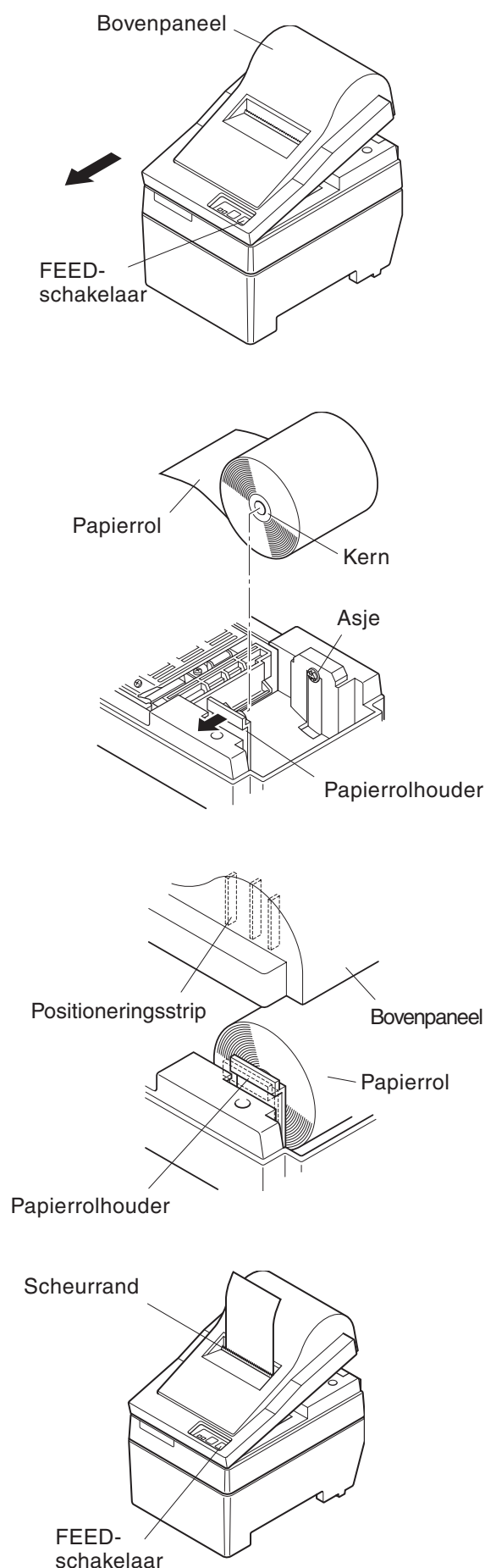
- 6 Druk het automatische snijsysteem weer dicht.

- 7 Breng het bovenpaneel weer aan door de procedure van stap 2 in omgekeerde volgorde uit te voeren.



**N.B.:** Voor het verwijderen van de lintcassette trekt u die bij punt A omhoog en daarna pakt u de cassette bij punt B vast om hem te verwijderen.

## Papier laden (model met scheurrand)



1 Trek het bovenpaneel ongeveer 3 cm omhoog. Houd het paneel in die stand en trek het naar u toe om het los te maken.

2 Snij de voorrand van de papierrol loodrecht af.

3 Controleer of de voeding van de printer is ingeschakeld.

4 Let op de afrolrichting van de papierrol en druk het bovineinde van het papier zo ver mogelijk onder de papiergeleider, tot het stukt. Als de papierrol correct is bevestigd, dan komt het bovineinde van het papier automatisch uit de papieruitvoer.

5 Druk de papierrolhouder in de richting van de pijl en plaats de papierrol zodanig dat de openingen in de kern zijn uitgelijnd met de assen van de houder. Laat de houder weer los, zodat de papierrol wordt geborgd.

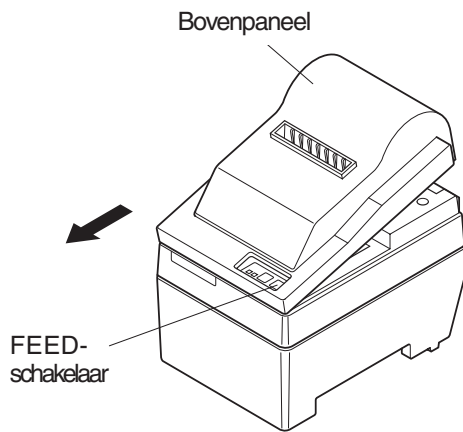
6 Als de kern van de papierrol niet correct op de houder is uitgelijnd, dan sluit het bovenpaneel niet goed. Corrigeer dan eerst de positie van de papierrol.

7 Druk op de FEED-schakelaar (papierdoorvoer) om het papier ongeveer 10 cm door te voeren.

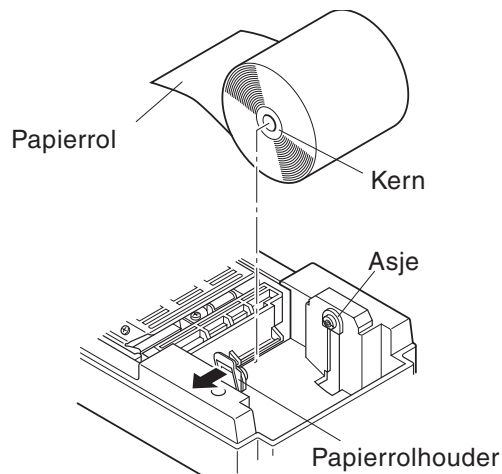
8 Steek de bovenrand van het papier in de opening met de scheurrand. Sluit het bovenpaneel door de procedure in stap 1 hierboven in omgekeerde volgorde uit te voeren.

**N.B.:** Als de markering voor het einde van de papierrol verschijnt, vervang dan de papierrol voordat die echt op is.

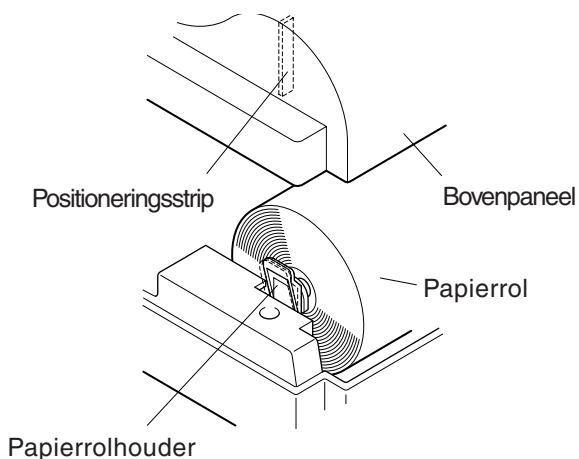
## Papier laden (Model met automatisch snijsysteem)



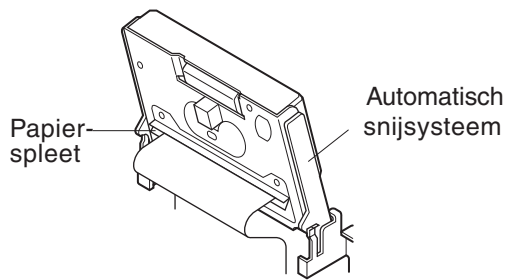
- 1 Trek het bovenpaneel ongeveer 3 cm omhoog. Houd het paneel in die stand en trek het naar u toe om het los te maken.



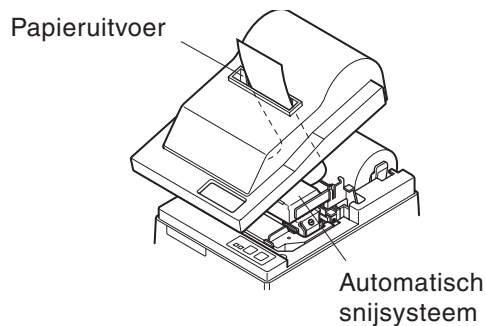
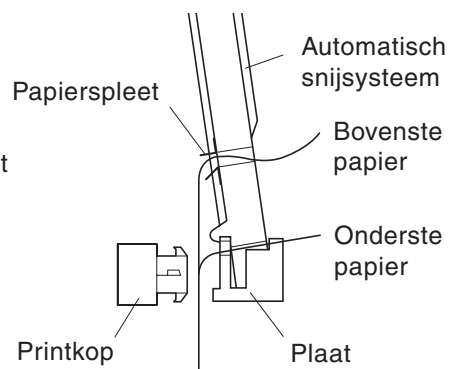
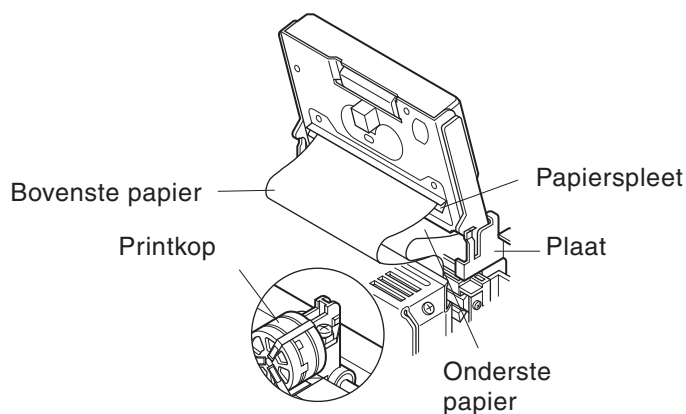
- 2 Snij de voorrand van de papierrol loodrecht af.
- 3 Controleer of de voeding van de printer is ingeschakeld.
- 4 Let op de afrolrichting van de papierrol en druk het bovineinde van het papier zo ver mogelijk onder de papiergeleider, tot het stukt. Als de papierrol correct is bevestigd, dan komt het bovineinde van het papier automatisch uit de papieruitvoer. Zodra het papier 2 cm uitsteekt, wordt het automatisch afgesneden.
- 5 Druk de papierrolhouder in de richting van de pijl en plaats de papierrol zodanig dat de openingen in de kern zijn uitgelijnd met de assen van de houder. Laat de houder weer los, zodat de papierrol wordt geborgd.
- 6 Als de kern van de papierrol niet correct op de houder is uitgelijnd, dan sluit het bovenpaneel niet goed. Corrigeer dan eerst de positie van de papierrol.



- 7 Druk op de FEED-schakelaar (papierdoorvoer) om het papier ongeveer 10 cm door te voeren.

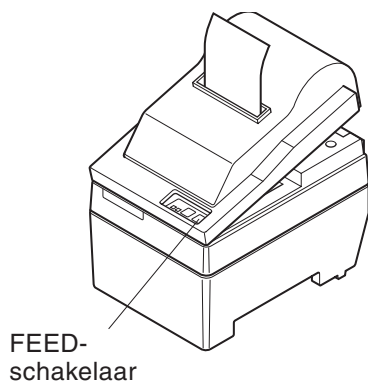


- 8 Steek het papieruiteinde in de spleet van het snijsysteem.
- Gebruikt u kopieerpapier, steek dan alleen het origineel (bovenste papier) in de spleet van het snijsysteem. Steek het uiteinde van het kopieerpapier (onderste) tussen de plaat en het snijsysteem.

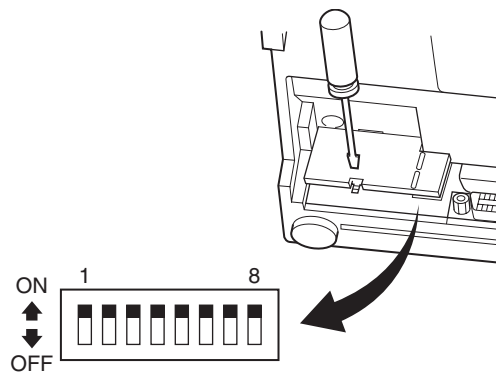


- 9 Trek aan het papieruiteinde tot het strak staat en druk het snijsysteem naar beneden.
- 10 Steek het papier door de papieruitvoer en breng het bovenpaneel weer aan door de stappen voor het verwijderen in omgekeerde volgorde uit te voeren.

**N.B.:** Als de markering voor het einde van de papierrol verschijnt, vervang dan de papierrol voordat die echt op is.



# Instellingen DIP-schakelaars - Parallele interface



## ■ DIP-schakelaar

Schak.	Functie	AAN	UIT
1	Papier op	Geldig	Ongeldig
2	Besturingscode CR	Ongeldig	Geldig
3	Internationale tekenset	Zie hieronder	
4			
5			
6	Databuffer	Beschikbaar (ong. 1 kbyte)	Niet beschikbaar (1 regel)
7	Tekens genereren	Zie hieronder	
8			

De fabrieksinstelling van alle DIP-schakelaars is AAN.

## □ Internationale tekenset

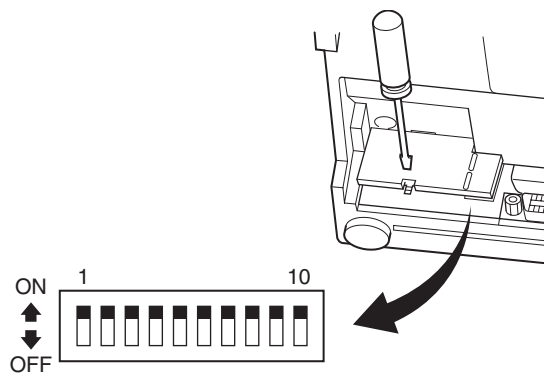
Schak.	VS	Frankrijk	Duitsland	Engeland	Denemark	Zweden	Italië	Spanje
3	AAN	UIT	AAN	UIT	AAN	UIT	AAN	UIT
4	AAN	AAN	UIT	UIT	AAN	AAN	UIT	UIT
5	AAN	AAN	AAN	AAN	UIT	UIT	UIT	UIT

## □ Tekens genereren

Schak.	VS	EU	Japan	Japan
7	AAN	AAN	UIT	UIT
8	AAN	UIT	AAN	UIT



# Instellingen DIP-schakelaars - Seriële interface



## ■ DIP-schakelaar

Schak.	Funcie	AAN	UIT
1	Commandomodus	STAR-commando's	VeriFone-commando's
2	Besturingscode CR	Ongeldig	Geldig
3	Internationale tekenset	Zie hieronder	
4			
5			
6	Datasnelheid	Zie hieronder	
7			
8	Databit	8 databits	7 databits
9	Pariteitscontrole	Nee	Ja
10	Pariteit	Oneven	Even

De fabrieksinstelling van alle DIP-schakelaars is AAN.

## □ Internationale tekenset

Schak.	VS	Frankrijk	Duitsland	Engeland	Denemark.	Zweden	Italië	Spanje
3	AAN	UIT	AAN	UIT	AAN	UIT	AAN	UIT
4	AAN	AAN	UIT	UIT	AAN	AAN	UIT	UIT
5	AAN	AAN	AAN	AAN	UIT	UIT	UIT	UIT

## □ Datasnelheid (baud rate)

Baud rate	Schakelaar 6	Schakelaar 7
1200	UIT	UIT
2400	UIT	AAN
4800	AAN	UIT
9600	AAN	AAN

## Specificaties

Afdrukmethode	Seriële dot matrix printer
Aantal kolommen	42 (16 per inch) 35 (13,4 per inch)
Afdrukrichting	Bidirectioneel met frictiedoorvoer
Afdrukbreedte	Max. 66 mm
Spatiëring	0,316 (H) x 0,423 (V) mm
Tekengrootte	1,28 (B) x 2,87 (H) mm (7x7, 16 tpi) 1,59 (B) x 2,87 (H) mm (9x7, 13,4 tpi)
Tekenset	Alfanumerieke tekens: 95 Internationale tekens: 12 Speciale tekens: 64 Speciale IBM-tekens: 83
Afdruksnelheid	Ongeveer 2,5 regel/s
Papiersnelheid	Ongeveer 9 regel/s
Regelafstand	1/6 inch
Tekenstructuur	7x7 of 9x7
Interfaces	RS232C / Centronics-compatibel
Grootte ingangsbuffer	Ongeveer 1 kbyte
Betrouwbaarheid	9 miljoen regels Real-time MCBF 2,5 miljoen regels MCBF
Levensduur printkop	75 miljoen tekens
Levensduur mes	0,3 miljoen keer snijden (volledig of gedeelte)
Temperatuur	In bedrijf: 0 tot 50 °C Tijdens opslag: -20 tot 70 °C
Relatieve luchtvochtigheid	In bedrijf: 10% tot 90% (geen condens) Tijdens opslag: 5% tot 95% (geen condens)
Afmetingen	Model met scheurrand: 158 x 234 x 193 (BxDxH mm) Model met automatisch snijsysteem: 158 x 239,7 x 193 (BxDxH mm)
Gewicht	Model met scheurrand: Circa 3 kg Model met automatisch snijsysteem: Circa 3,4 kg

Ga naar het volgende Internet-adres

[http://www.star-micronics.co.jp/service/frame\\_sp\\_spr\\_e.htm](http://www.star-micronics.co.jp/service/frame_sp_spr_e.htm)

voor de nieuwste printerstuurprogramma's en hulpprogramma's.

***MATRIČNI PISAČ***  
**SP200 SERIES**  
***KORISNIČKI PRIRUČNIK***



**Federalni odbor za komunikacije**  
**Izjava o smetnjama na radijskim frekvencijama**

Ovaj je uređaj ispitana te je utvrđeno da udovoljava ograničenjima za digitalne uređaje Klase A, u skladu s Odjeljkom 15 propisa Federalnog odbora. Ova su ograničenja definirana kako bi se ostvarila razumna razina zaštite od štetnih smetnji pri upotrebi uređaja u komercijalnim okruženjima. Ovaj uređaj stvara, upotrebljava i zrači radiofrekvencijsku energiju te, ako nije instaliran i korišten u skladu s uputom za upotrebu, može uzrokovati štetne smetnje u radijskim komunikacijama. Upotreba ovog uređaja u stambenim područjima vjerojatno će uzrokovati štetne smetnje, u kojem slučaju od korisnika može biti zatraženo da izvor smetnji otkloni o vlastitom trošku.

Za udovoljavanje federalnim standardima za emisiju šuma ovaj uređaj zahtijeva upotrebu oklopljenog kabela.

*Ova se izjava odnosi samo na pisače koji se prodaju na tržištu Sjedinjenih Američkih Država.*

**Izjava o propisima o radijskim smetnjama kanadskog Ministarstva komunikacija**

Ovaj digitalni uređaj ne prelazi ograničenja emisije radijskog šuma za digitalne uređaje Klase A definirana Propisima o radijskim smetnjama kanadskog Ministarstva komunikacija.

Le présent appareil numérique n'émet pas de bruits radioélectriques dépassant les limites applicables aux appareils numériques de la classe A prescrites dans le Règlement sur le brouillage radioélectrique édicté par le ministère des Communications du Canada.

*Navedena se izjava odnosi samo na pisače koji se prodaju na kanadskom tržištu.*

**CE**

**Proizvođačka deklaracija o udovoljavanju standardima**

**EC Council Directive 89/336/EEC od 3. svibnja 1989.**

Ovaj je proizvod projektiran i proizveden u skladu s međunarodnim standardima EN 61000-6-3/10.2001 i EN 55024/09.98 i uz pridržavanje odredbi naputka Electro Magnetic Compatibility Directive, važećeg u Europskoj zajednici od svibnja 1989. godine.

**EC Council Directive 73/23/EEC i 93/68/EEC od 22. srpnja 1993.**

Ovaj je proizvod projektiran i proizveden u skladu s međunarodnim standardima EN 60950 i uz pridržavanje odredbi naputka Low Voltage Directive, važećeg u Europskoj zajednici od srpnja 1993. godine.

*Navedena se izjava odnosi samo na pisače koji se prodaju na tržištu Europske zajednice.*

**Tržišni znaci i njihovi vlasnici**

**TSP600:** Star Micronics Co., Ltd.

**ESC/POS:** Seiko Epson Corporation

**Napomena**

- Sva prava pridržana Reprodukcijska bilo kojeg dijela ovog priručnika u bilo kojem obliku nije dopuštena bez izričitog odobrenja tvrtke STAR.
- Sadržaj ovog priručnika podložan je izmjenama bez prethodne najave.
- Uloženi su maksimalni naponi kako bi se osigurala točnost sadržaja ovog priručnika u trenutku njegovog tiska. Ako u njemu ipak otkrijete bilo kakvu pogrešku, tvrtka STAR bila bi vrlo zahvalna da je o tome obavijestite.
- Uzimajući u obzir sve navedeno, STAR ne prihvaća bilo kakvu odgovornost za bilo koju pogrešku koja se može pojaviti ovom priručniku.

© Copyright 2003 Star Micronics Co., LTD.

# Sigurnosne informacije

---

**Važno!**

*Prije povezivanja pisača s računalom uvjerite se da su oba uređaja isključena te da je pisač odspojen od naponske utičnice.*

---

**Važno!**

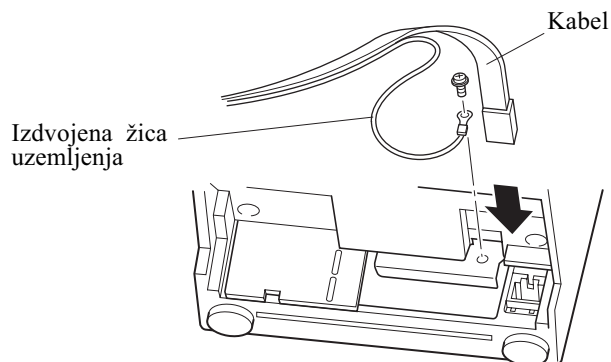
*Na priključnicu za periferne uređaje ne priključujte telefonsku liniju. Ne budete li se pridržavali ove upute, možete oštetiti pisač.*

*Također, iz sigurnosnih razloga na priključnicu za vanjske uređaje ne priključujte kabel ako postoji mogućnost da kabel nosi određeni periferni napon.*

---

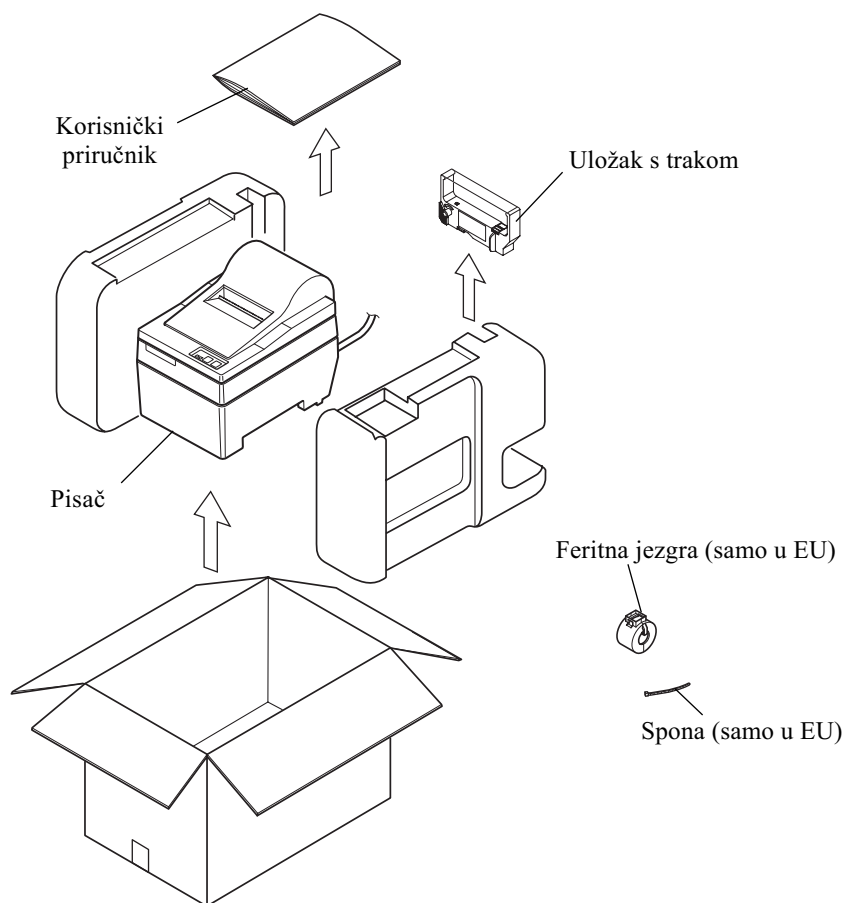
**Spojite kabel za uzemljenje (samo za EU)**

Odvijte vijak prikazan na donjoj ilustraciji, a zatim kraj kabela za uzemljenje pričvrstite na mjesto s kojeg ste uklonili vijak te ponovo pritegnite vijak.



## Uklanjanje ambalaže

- ✓ Pisač
- ✓ Korisnički priručnik
- ✓ Papir u roli
- ✓ Feritna jezgra (samo u EU)
- ✓ Spona (samo u EU)



## Odabir mjesta za pisač

Prije nego što doista raspakirate pisač, nekoliko minuta razmislite o tome gdje ga namjeravate koristiti. Pritom imajte u vidu sljedeće smjernice.

- ✓ Odaberite čvrstu i ravnu plohu na kojoj pisač neće biti izložen vibracijama.
- ✓ Napajačka utičnica koju namjeravate koristiti trebala bi se nalaziti u blizini i biti lako dostupna.
- ✓ Uvjerite se da se pisač nalazi dovoljno blizu računala s kojim ga želite povezati.
- ✓ Uvjerite se da pisač nije izložen izravnom sunčevom svjetlu.
- ✓ Uvjerite se da je pisač dovoljno odmaknut od radijatora i drugih snažnih izvora topline.
- ✓ Uvjerite se da je okolno područje čisto i suho te da nije prašnjavo.
- ✓ Uvjerite se da je pisač priključen na pouzdanu napajачku utičnicu. Na istu utičnicu ne bi smjeli biti priključeni fotokopirni uređaji, hladnjaci ili drugi uređaji koji mogu uzrokovati snažne strujne impulse.
- ✓ Uvjerite se da prostorija u kojoj koristite pisač nije suviše vlažna.

## Potrošni materijal

Kad vam ponestane potrošnog materijala, nabavite materijal u skladu s dolje navedenim specifikacijama.

### (1) Specifikacije za papir u roli

Vrsta papira: Obični i bezuglični papir za kopiranje

Širina papira: 76±0,5 mm (3,0 inča)

Promjer role: najviše 85 mm (3,35 inča)

Interni promjer role:  $\varnothing 12 \pm 1$  mm

**Opaska:** Papir ne smije biti zalijepljen za nosivi valjak.

Debljina: Model s dodatkom za otkidanje (jednostruki) 70  $\mu\text{m}$  do 100  $\mu\text{m}$   
(s kopijama) izvornik + 2 kopije (najviše 200  $\mu\text{m}$ )

Model s automatskim rezačem (jednostruki) 70  $\mu\text{m}$  do 100  $\mu\text{m}$   
(s kopijama) izvornik +1 kopija (najviše 100  $\mu\text{m}$ )

**Opaska:** Automatski rezač ugrađen u ovaj model projektiran je za papir maksimalne debljine 100  $\mu\text{m}$ . Ova debljina odgovara maksimalno dvoslojnom papiru kod kojeg je svaki sloj debeo 50  $\mu\text{m}$ . Za papir debljine veće od 100  $\mu\text{m}$  nije moguće jamčiti pravilno automatsko rezanje.

### (2) Specifikacije trake s tintom

Vrsta trake: Kruti uložak

Boja: vrsta SP212/242: jednobojni (purpurna ili crna boja)

vrsta SP216/246: dvobojni (crna i crvena boja)

Materijal trake: Najlon 66 (#40 denier)

Vijek trake: Jednobojna:

purpurna: 3.000.000 znakova

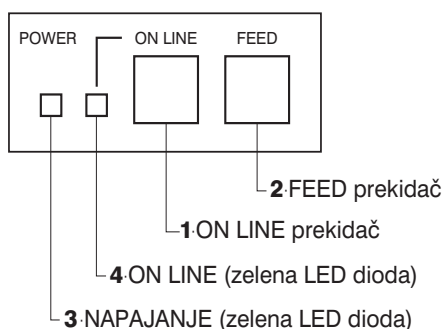
crna: 1.200.000 znakova

Dvobojna:

Crni dio dvobojne trake: 600.000 znakova

Crveni dio dvobojne trake: 300.000 znakova

## Upravljačka ploča



### 1 tipka ON LINE

Mijenja stanje pisača iz ON LINE u OFF LINE i obratno. Prebacivanje između stanja ON LINE i OFF LINE moguće je samo kad je u pisač umetnut papir.

### 2 tipka FEED

- Pritiskom na ovu tipku i njenim puštanjem u nakon manje od 0,5 s, papir se uvlači u koracima.
- Pritiskom i držanjem ove tipke dulje od 0,5 s, papir se uvlači kontinuirano.  
(Opisani načini uvlačenja papira mogući su i u ON LINE i OFF LINE stanjima pisača.)

### 3 Lampica POWER (zelena dioda)

- Svijetli kad je pisač priključen na izvor napajanja.
- Bljeska kad nema papira, kada dođe do mehaničke pogreške, u slučaju upozorenja zbog previsoke temperature glave ili kada dođe do pogreške CPU-a.
- Ako je ponestalo papira, umetnite novi papir i pritisnite tipku ON LINE.
- Kad lampica POWER bljeska zbog mehaničke poteškoće, isključite napajanje i otklonite uzrok poteškoće te ponovo uključite napajanje kako biste resetirali pisač.
- Ako lampica POWER bljeska zbog upozorenja zbog previsoke temperature glave, pisač će se automatski oporaviti kad se temperatura glave snizi.

### 4 Lampica ON LINE (zelena dioda)

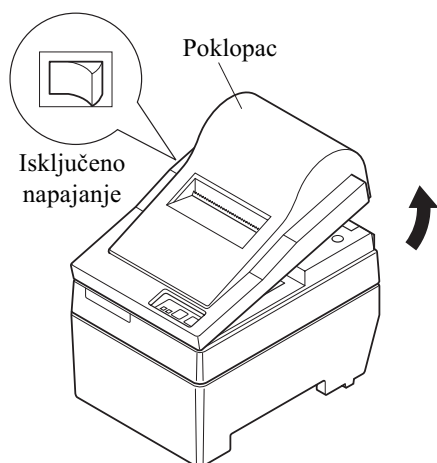
Lampica svijetli: Pisač je ON LINE

Lampica ne svijetli: Pisač je OFF LINE

Lampica bljeska: pogreška CPU-a

Kad lampice POWER i ON LINE istodobno svijetle, došlo je do pogreške CPU-a.

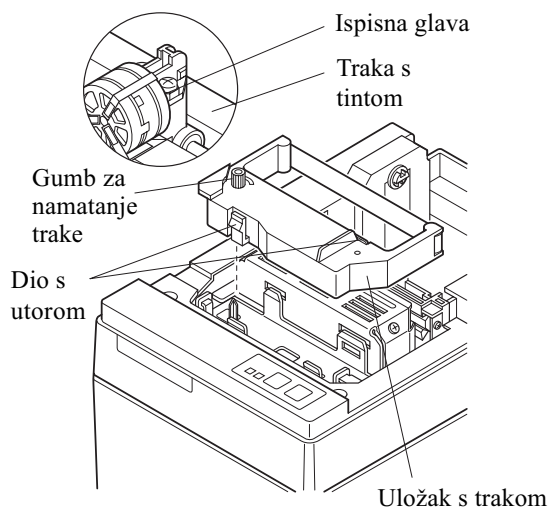
## Umetanje uložka s trakom (Model s dodatkom za otkidanje)



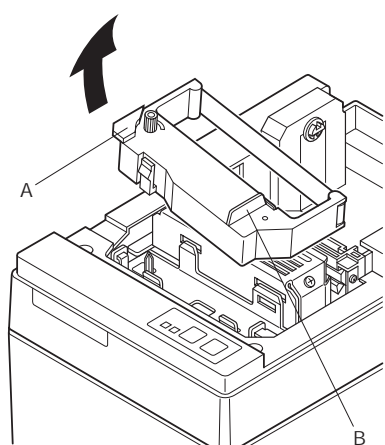
### 1 Isključite napajanje pisača.

- 2 Podignite poklopac otprilik 3 cm. Zadržite ga pod tim kutom, a zatim ga povucite prema sebi da biste ga uklonili.



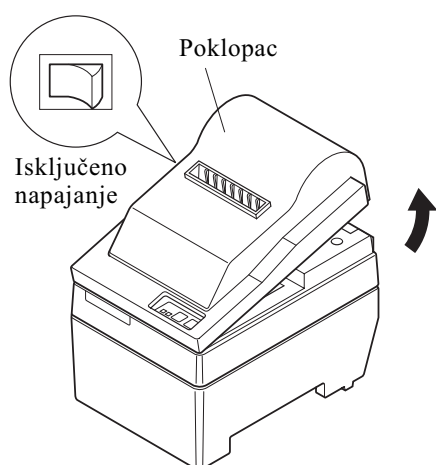


- 3 Uložak s trakom postavite u položaj prikazan na slici te ga pogurnite nadolje da biste ga umetnuli. Ako uložak s trakom nije dobro sjeo na mjesto, pritisnite ga okrećući gumb za namatanje trake u smjeru označenom strelicom.
- 4 Okrećite gumb za namatanje trake u smjeru označenom strelicom kako biste napeli traku.
- 5 Vratite poklopac postupkom obratnim od onog opisanog u koraku 2.

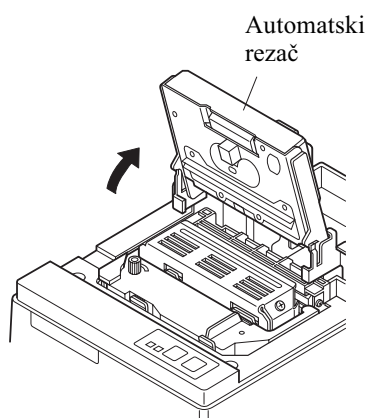


**Opaska:** Pri uklanjanju uložka s trakom podignite dio A, a zatim uklonite uložak pridržavajući dio B, kao što je prikazano na slici.

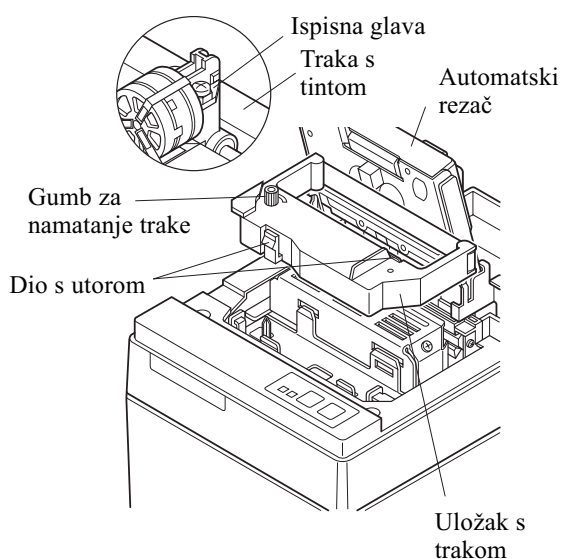
## Umetanje uložka s trakom (Model s automatskim rezačem)



- 1 Isključite napajanje pisača.
- 2 Podignite poklopac otprilike 3 cm. Zadržite ga pod tim kutom, a zatim ga povucite prema sebi da biste ga uklonili.



- 3 Podignite automatski rezač i postavite ga u okomiti položaj, kao što je prikazano na slici.

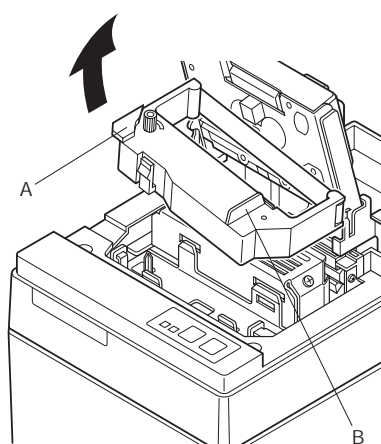


- 4 Uložak s trakom postavite u položaj prikazan na slici te ga pogurnite nadolje da biste ga umetnuli. Ako uložak s trakom nije dobro sjeo na mjesto, pritisnite ga okrećući gumb za namatanje trake u smjeru označenom strelicom.

- 5 Okrećite gumb za namatanje trake u smjeru označenom strelicom kako biste napeli traku.

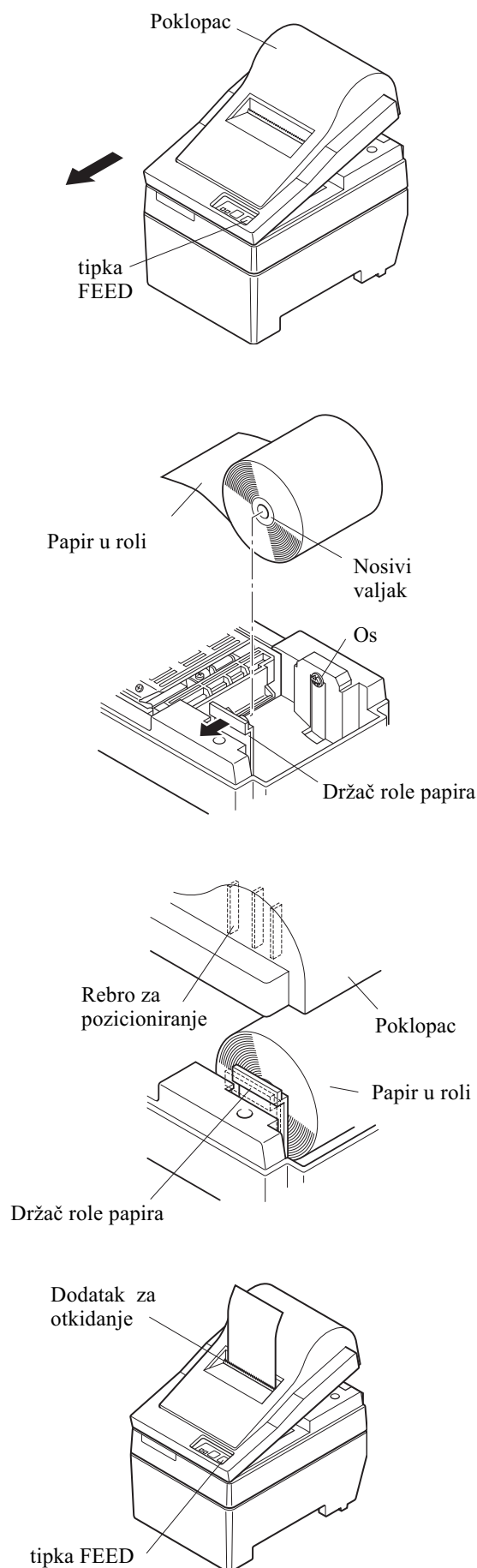
- 6 Spustite automatski rezač.

- 7 Vratite poklopac postupkom obratnim od onog opisanog u koraku 2.



**Opaska:** Pri uklanjanju uloška s trakom podignite dio A, a zatim uklonite uložak pridržavajući dio B, kao što je prikazano na slici.

## Umetanje papira (Model s dodatkom za otkidanje)



1 Podignite poklopac otprilike 3 cm. Zadržite ga pod tim kutom, a zatim ga povucite prema sebi da biste ga uklonili.

2 Poprečno prerežite prednji rub role papira

3 Uvjerite se da je napajanje pisača uključeno.

4 Imajući u vidu smjer odmatanja role papira, umetnite vodeći rub papira ispod vodilice koliko god daleko možete. Ako je rola pravilno umetnuta, vodeći će rub papira automatski izaći iz izlaznog proreza.

5 Pomaknite držać role u smjeru strelice i umetnite rolu tako da se otvori na nosivom valjku role poravnaju s osima držača. Pustite držać role kako bi učvrstio papir.

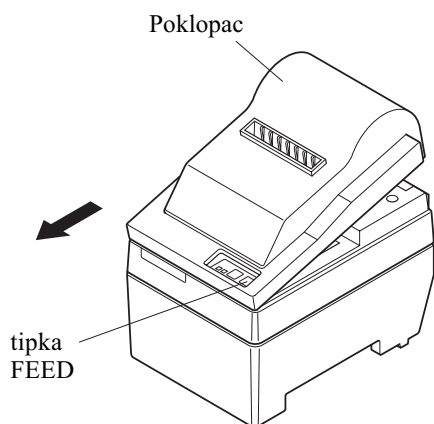
6 Ako nosivi valjak role nije pravilno poravnat sa držaćem, nećete moći pravilno spustiti poklopac sve dok ne ispravite položaj papira.

7 Pritisnite tipku FEED (uvlačenje papira) da biste uvukli otprilike 10 cm papira.

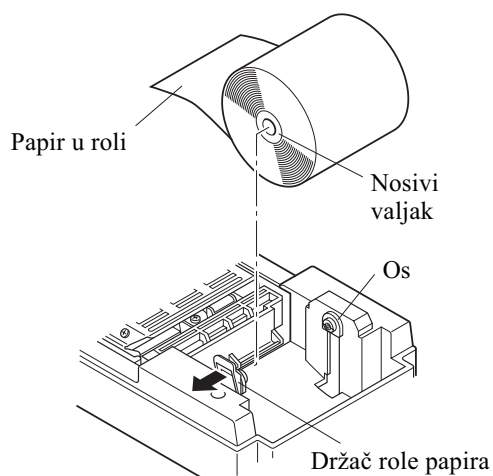
8 Vodeći rub papira umetnite u prorez dodatka za otkidanje, a zatim vratite poklopac postupkom obratnim od onog opisanog u koraku 1.

**Opaska:** Kad se na papiru pojavi oznaka kraja role, zamijenite rolu prije nego što posve ponestane papira.

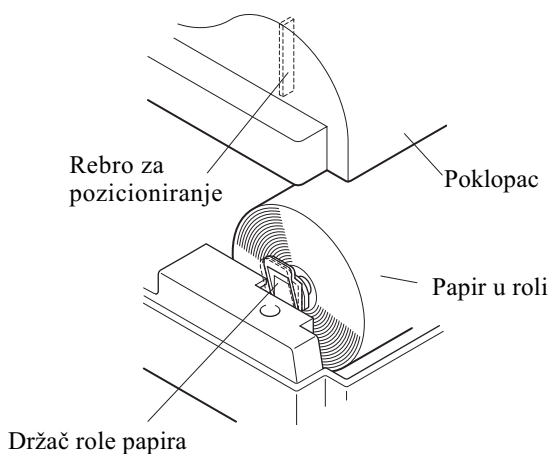
## Umetanje papira (Model s automatskim rezačem)



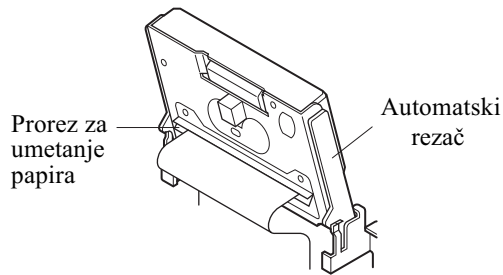
**1** Podignite poklopac otprilike 3 cm. Zadržite ga pod tim kutom, a zatim ga povucite prema sebi da biste ga uklonili.



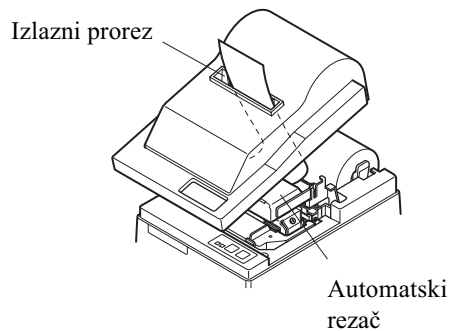
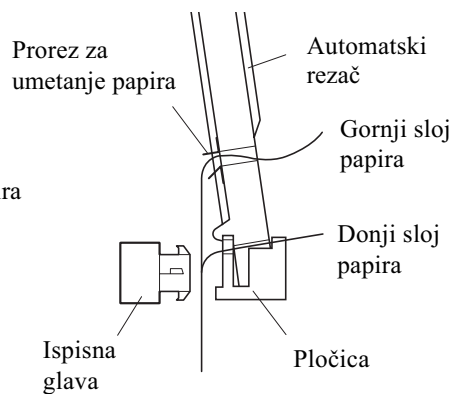
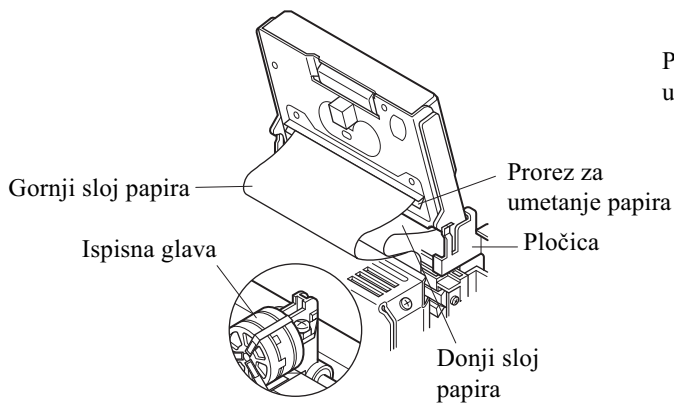
- 2** Poprečno prerežite prednji rub role papira  
**3** Uvjerite se da je napajanje pisača uključeno.  
**4** Imajući u vidu smjer odmatanja role papira, umetnite vodeći rub papira ispod vodilice koliko god daleko možete. Ako je rola pravilno umetnuta, vodeći će rub papira automatski izaći iz izlaznog proreza. Kad iz proreza izađu 2 cm papira, taj će dio biti automatski odrezan.  
**5** Pomaknite držać role u smjeru strelice i umetnite rolu tako da se otvori na nosivom valjku role poravnaju s osima držača. Pustite držać role kako bi učvrstio papir.  
**6** Ako nosivi valjak role nije pravilno poravnat sa držaćem, nećete moći pravilno spustiti poklopac sve dok ne ispravite položaj papira.



**7** Pritisnite tipku FEED (uvlačenje papira) da biste uvukli otprilike 10 cm papira.

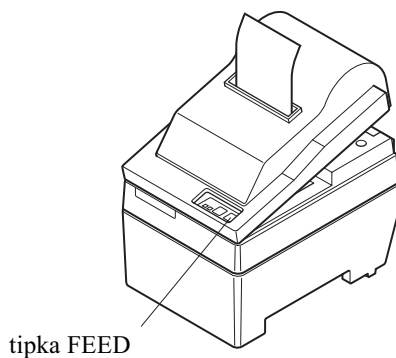


- 8** Umetnite vrh role papira u prorez automatskog rezača.
- Kad koristite samokopirajući papir, u prorez automatskog rezača umetnite samo izvornik (gornji sloj role). Papir na kojem će se tiskati kopije (donji sloj) umetnite između pločice i automatskog rezača.

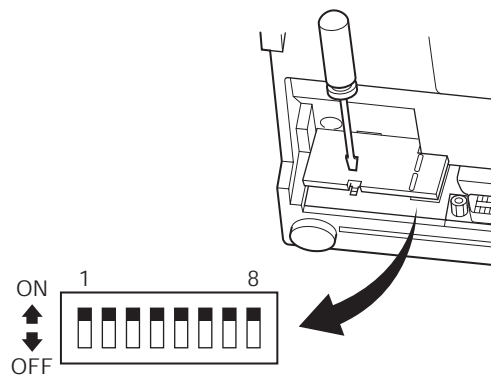


- 9** Povucite rub papira kako biste zategnuli papir, a zatim spustite automatski rezač.
- 10** Umetnite papir u izlazni prorez i vratite poklopac prolazeći obratnim redoslijedom korake kojim ste ga uklonili.

**Opaska:** Kad se na papiru pojavi oznaka kraja role, zamijenite rolu prije nego što posve ponestane papira.



## Postavke Dip prekidača – model s paralelnim sučeljem



### ■ DIP-prekidači

Prekidač	Funkcija	UKLJUČEN	ISKLJUČEN
1	Detekcija nestanka papira	Važeća	Nevažeća
2	Kontrolni kôd CR	Nevažeći	Važeći
3	Međunarodni skup znakova	Vidi dolje	
4			
5			
6	Podatkovni međuspremnik	Dostupan (oko 1 KB)	Nedostupan (1 linija)
7	Postavka generiranja znakova	Vidi dolje	
8			

U tvorničkoj su postavi svi DIP prekidači postavljeni u položaj ‘uključeno’.

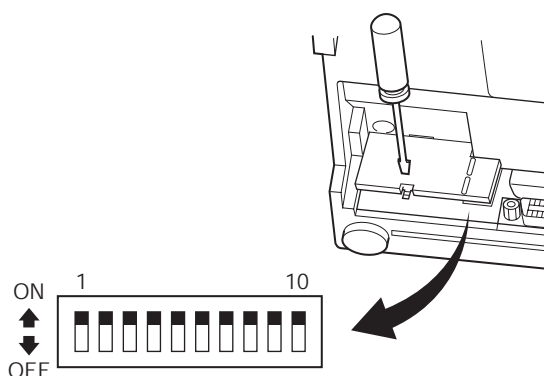
### □ Međunarodni skup znakova

Prekidač	SAD	Francuska	Njemačka	Engleska	Danska	Švedska	Italija	Španjolska
3	UKLJUČEN	ISKLJUČEN	UKLJUČEN	ISKLJUČEN	UKLJUČEN	ISKLJUČEN	UKLJUČEN	ISKLJUČEN
4	UKLJUČEN	UKLJUČEN	ISKLJUČEN	ISKLJUČEN	UKLJUČEN	UKLJUČEN	ISKLJUČEN	ISKLJUČEN
5	UKLJUČEN	UKLJUČEN	UKLJUČEN	UKLJUČEN	ISKLJUČEN	ISKLJUČEN	ISKLJUČEN	ISKLJUČEN

### □ Generiranje znakova

Prekidač	SAD	EU	JP	JP
7	UKLJUČEN	UKLJUČEN	ISKLJUČEN	ISKLJUČEN
8	UKLJUČEN	ISKLJUČEN	UKLJUČEN	ISKLJUČEN

# Postavke Dip prekidača – model sa serijskim sučeljem



## ■ DIP-prekidači

Prekidač	Funkcija	UKLJUČEN	ISKLJUČEN
1	Način zadavanja naredbi	STAR način	VeriFone način
2	Kontrolni kôd CR	Nevažeći	Važeći
3	Međunarodni skup znakova	Vidi dolje	
4			
5			
6	Brzina prijena podataka	Vidi dolje	
7			
8	Broj podatkovnih bita	8 bita	7 bita
9	Provjera pariteta	Ne	Da
10	Paritet	Neparni	Parni

U tvorničkoj su postavi svi DIP prekidači postavljeni u položaj “uključeno”.

## □ Međunarodni skup znakova

Prekidač	SAD	Francuska	Njemačka	Engleska	Danska	Švedska	Italija	Španjolska
3	UKLJUČEN	ISKLJUČEN	UKLJUČEN	ISKLJUČEN	UKLJUČEN	ISKLJUČEN	UKLJUČEN	ISKLJUČEN
4	UKLJUČEN	UKLJUČEN	ISKLJUČEN	ISKLJUČEN	UKLJUČEN	UKLJUČEN	ISKLJUČEN	ISKLJUČEN
5	UKLJUČEN	UKLJUČEN	UKLJUČEN	UKLJUČEN	ISKLJUČEN	ISKLJUČEN	ISKLJUČEN	ISKLJUČEN

## □ Brzina prijena podataka (u baudima)

Brzina komunikacije	Prekidač 6	Prekidač 7
1200	ISKLJUČEN	ISKLJUČEN
2400	ISKLJUČEN	UKLJUČEN
4800	UKLJUČEN	ISKLJUČEN
9600	UKLJUČEN	UKLJUČEN

## Specifikacije

Tehnologija ispisa	Točkasti matrični ispis sa serijskim utiskivanjem
Broj stupaca	42 (16 cpi) 35 (13,4 cpi)
Smjer ispisa	Dvosmjerni, s uvlačenjem na principu trenja
Širina ispisa	Najviše 66 mm
Širina točke	0,316(H) x 0,423(V) mm
Veličina znakova	1,28 Š x 2,87 mm V (7x7, 16 cpi) 1,59 Š x 2,87 V mm (9x7, 13,4 cpi)
Skup znakova	Alfanumerički znakovi: 95 Međunarodni znakovi: 12 Posebni znakovi: 64 Posebni IBM-ovi znakovi: 83
Brzina ispisa	Oko 25 linija/s
Brzina uvlačenja papira	Oko 9 linija/s
Prored	1/6 inča
Struktura znakova	7x7 ili 9x7
Sučelje	RS232C / Centronics kompatibilno
Veličina ulaznog međuspremnik	Oko 1 KB
Pouzdanost pisača	9 milijuna linija. Izračunato stvarno MCBF vrijeme 2,5 milijuna linija MCBF
Vijek ispisne glave	75 milijuna znakova
Vijek rezača	0,3 milijuna rezanja (puno ili djelomično rezanje)
Temperatura	Radna: od 0 do 50 °C Skladištenje: od -20 do 70 °C
Vlažnost	Radna: od 10 do 90% rel. vlažnosti (bez kondenzacije) Skladištenje: od 5 do 95% rel. vlažnosti (bez kondenzacije)
Dimenzije	Model s dodatkom za otkidanje 158 x 234 x 193 (Š x D x V mm) Model s automatskim rezačem 158 x 239,7 x 193 (Š x D x V mm)
Masa	Model s dodatkom za otkidanje Oko 3 kg Model s automatskim rezačem Oko 3,4 kg

Posjetite sljedeći URL

[http://www.star-micronics.co.jp/service/frame\\_sp\\_spr\\_e.htm](http://www.star-micronics.co.jp/service/frame_sp_spr_e.htm)  
za najnovije pogonske i pomoćne programe.



# ***МАТРИЧНЫЕ ПРИНТЕРЫ***

**СЕРИИ SP200**

***РУКОВОДСТВО  
ПОЛЬЗОВАТЕЛЯ***



## Федеральная комиссия по связи (FCC)

### Заявление о радиочастотных помехах

Данное устройство было протестировано, и проверка показала, что оно соответствует требованиям, предъявляемым к цифровым устройствам класса А, изложенным в части 15 правил FCC. Эти требования предназначены для того, чтобы прочее оборудование было защищено от помех при работе с устройством в промышленной среде. Данное устройство генерирует, использует и может излучать радиочастотную энергию, поэтому нарушение правил настоящего руководства при установке и использовании устройства может повлечь за собой создание помех средствам радиосвязи. Работа данного устройства в жилом районе может создать радиопомехи, которые должны быть устранены за счет пользователя.

Для соответствия Федеральному стандарту по шумовым помехам в данном устройстве должен использоваться экранированный кабель.

*Настоящее заявление относится только к принтерам, продаваемым на территории США.*

### Заявление канадского департамента по вопросам коммуникаций Требования к радиопомехам

Уровень помех, создаваемых данным цифровым устройством, не превышает предельных значений интенсивности шумового радиоизлучения для цифровых устройств, установленных в рамках требований к радиопомехам канадского департамента по вопросам коммуникаций.

Le présent appareil numérique n'émet pas de bruits radioélectriques dépassant les limites applicables aux appareils numériques de la classe A prescrites dans le Règlement sur le brouillage radioélectrique édicté par le ministère des Communications du Canada.

*Настоящее заявление относится только к принтерам, продаваемым на территории Канады.*

### СЕ Декларация производителя о соответствии требованиям

#### **Директива Совета ЕС № 89/336/ЕЕС от 3 мая 1989 г.**

Данный продукт был разработан и изготовлен в соответствии с международными стандартами EN 61000-6-3/10.2001 и EN 55024-1/09.98 с учетом предписаний Директивы по электромагнитной совместимости Европейского экономического сообщества от мая 1989 г.

#### **Директивы Совета ЕС № 73/23/ЕЕС и 93/68/ЕЕС от 22 июля 1993 г.**

Данный продукт был разработан и изготовлен в соответствии с международными стандартами EN 60950 с учетом предписаний Директивы по низковольтным устройствам Европейского экономического сообщества от июля 1993 г.

*Настоящее заявление относится только к принтерам, продаваемым на территории ЕС.*

#### **Информация об обладателях товарных знаков**

SP200: Star Micronics Co., Ltd.

ESC/POS: Seiko Epson Corporation

#### **Примечание**

- Все права защищены. Запрещается воспроизводить любую часть данного руководства в какой бы то ни было форме без явного разрешения компании STAR.
- Содержание данного руководства может быть изменено без предварительного уведомления.
- Были предприняты все меры к тому, чтобы обеспечить корректность содержания данного руководства на момент его отправки в печать. Однако компания STAR будет очень признательна за сообщения о любых ошибках, если таковые будут обнаружены.
- Несмотря на вышесказанное, компания STAR не несет никакой ответственности за любые ошибки в данном руководстве.

© Copyright 2003 Star Micronics Co., LTD.

# Информация по технике безопасности

---

## **Важные сведения!**

*Перед подключением устройства убедитесь, что принтер выключен и отсоединен от сети переменного тока, а также выключен компьютер.*

---

## **Важные сведения!**

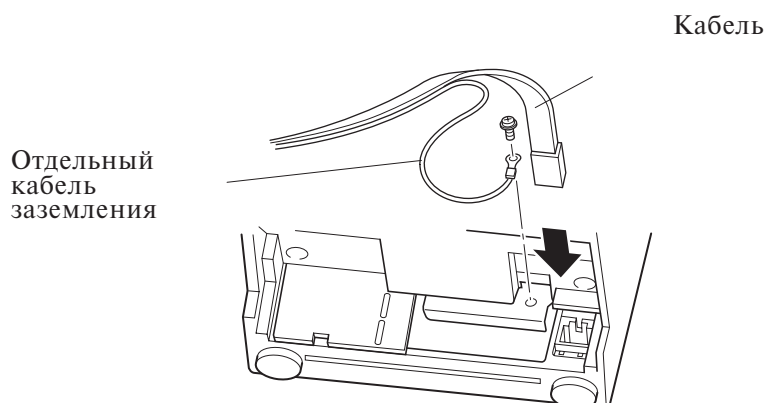
*Не подключайте кабель телефонной линии к разъему, предназначенному для дополнительного диска. В противном случае принтер может выйти из строя.*

*Кроме того, в целях безопасности нельзя подключать к разъему для внешнего диска кабеля, если есть вероятность, что разъем находится под напряжением.*

---

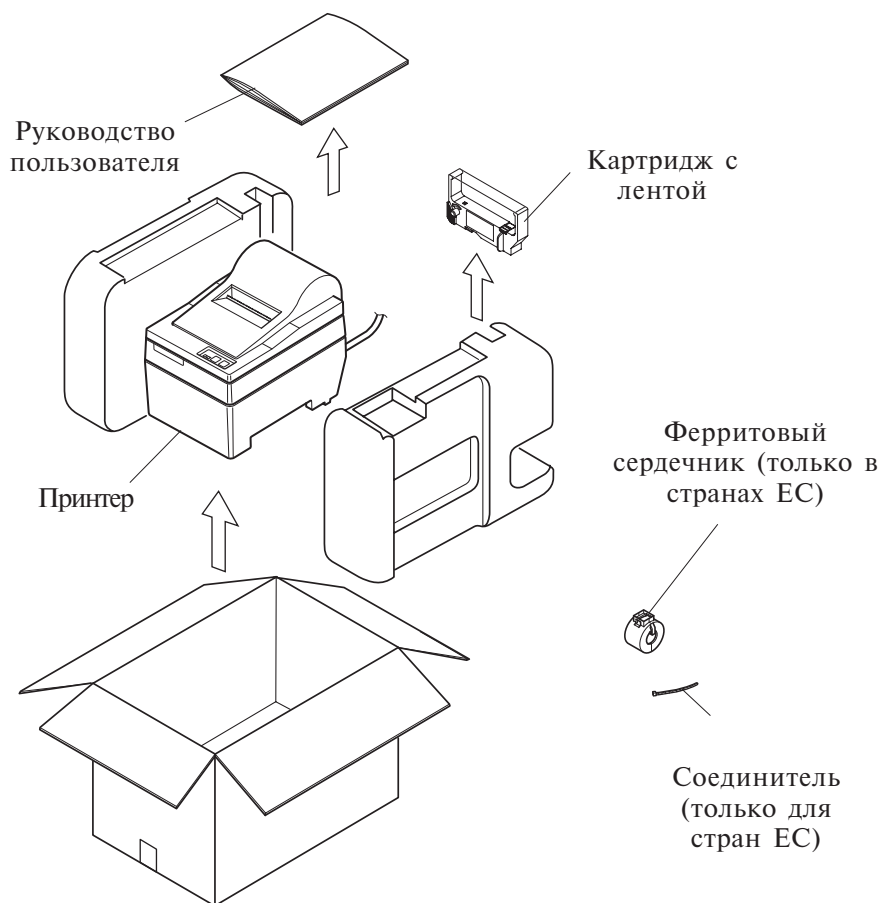
## **Подключение кабеля заземления (только для стран ЕС)**

Вывинтите винт, показанный на рисунке, затем приложите наконечник кабеля заземления к тому месту, откуда был снят винт, и вновь затяните винт.



## Распаковка принтера

- Принтер
- Руководство пользователя
- Картридж с лентой
- Ферритовый сердечник (только в странах ЕС)
- Соединитель (только для стран ЕС)



## Выбор места для установки принтера

Прежде чем распаковывать принтер, уделите несколько минут тому, чтобы подумать, где его лучше установить. При этом рекомендуем учесть следующие советы:

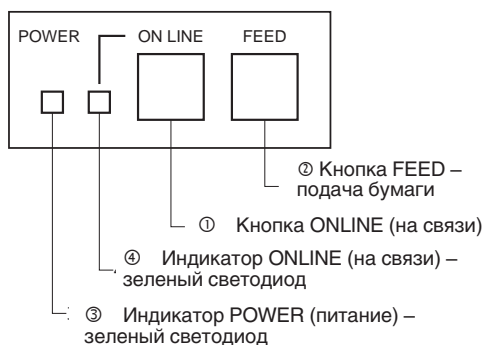
- Выбирайте твердую, ровную поверхность, на которой принтер не будет вибрировать.
- Розетка, которую Вы собираетесь использовать, должна находиться рядом с местом установки, и доступ к ней должен быть свободен.
- Не ставьте принтер далеко от компьютера, к которому он будет подключен.
- На принтер не должен попадать прямой солнечный свет.
- Не устанавливайте принтер вблизи нагревателей и других источников тепла.
- Убедитесь, что вокруг нет грязи, везде сухо и нет пыли.
- Принтер необходимо подключать к исправной сетевой розетке. Не рекомендуется подключать устройство к одной электролинии с копирами, холодильниками и другими приборами, способными вызвать перепады в напряжении.
- В комнате, где находится принтер, не должно быть повышенной влажности.

## Расходные материалы

Для замены расходных материалов используйте только те, что указаны в приведенной ниже таблице.

- (1) Характеристики рулонной бумаги
- |                            |   |
|----------------------------|---|
| Тип бумаги:                | Обычная высококачественная бескопирочная копировальная бумага |
| Ширина бумаги:             | 76±0,5 мм (3,0 дюйма)   |
| Диаметр рулона:            | Ø85 мм (3,35 дюйма) макс.                                     |
| Внутренний диаметр рулона: | Ø12±1 мм  |
- Примечание: Бумага не должна быть приклеена к сердечнику.
- Плотность: Модель с отрывной планкой  
(один экземпляр) 70 г/м<sup>2</sup> – 100 г/м<sup>2</sup>  
(копии) оригинал + 2 копии (макс. 200 г/м<sup>2</sup>)
- Модель с автоматическим резаком  
(один экземпляр) 70 г/м<sup>2</sup> – 100 г/м<sup>2</sup>  
(копии) оригинал +1 копии (макс. 100 г/м<sup>2</sup>)
- Примечание: Автоматический резак рассчитан на бумагу плотностью не более 100 г/м<sup>2</sup>. Такая плотность соответствует не более чем двум листам бумаги плотностью по 50 г/м<sup>2</sup> каждый. Применение бумаги плотностью более 100 г/м<sup>2</sup> может привести к неправильному отрезанию.
- (2) Характеристики красящей ленты
- |                 |   |
|-----------------|---|
| Тип ленты:      | Картридж  |
| Цвет:           | SP212/242: Одноцветная (фиолетовая или черная)<br>SP212/246: Двухцветная (черно-красная)  |
| Материал ленты: | Нейлон 66 (плотность – 40 денье)  |
| Ресурс ленты:   | Одноцветная:<br>Фиолетовая – 3 000 000 символов<br>Черная – 1 200 000 символов<br>Двухцветная:<br>Черный сегмент – 600 000 символов<br>Красный сегмент – 300 000 символов |

## Панель управления



- ① Переключатель ON LINE  
Переключает принтер между режимами ON LINE (установлена связь с компьютером) и OFF LINE (связь с компьютером отключена). Переключение между режимами ON LINE и OFF LINE возможно только при наличии бумаги в принтере.
- ② Кнопка FEED
  - Эта кнопка предназначена для подачи бумаги. Кратковременное нажатие (длительностью до 0,5 с) приводит к подаче бумаги на 1 строку.
  - Длительное нажатие (более 0,5 с) приводит к непрерывной подаче бумаги. Кнопка подачи работает как в режиме ON LINE, так и в режиме OFF LINE.

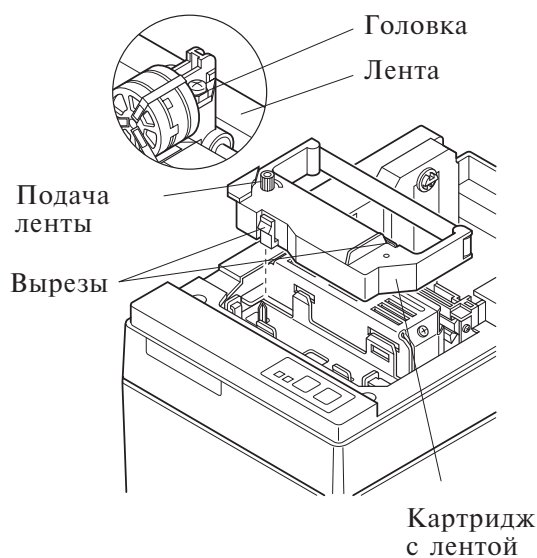
- ③ Индикатор POWER (питание) – зеленый светодиод
  - Горит, когда включено питание принтера.
  - Мигает, когда в принтере нет бумаги, при возникновении механического повреждения, при перегреве, а также при возникновении ошибки в процессоре.
  - Если в принтере нет бумаги, загрузите новую бумагу и нажмите кнопку ON LINE.
  - Если индикатор POWER мигает из-за механического повреждения, отключите питание принтера, устраните причину механического повреждения и вновь включите питание.
  - Если индикатор POWER мигает из-за перегрева головки, принтер автоматически продолжит работу после того, как головка остынет.
- ④ Индикатор ON LINE – зеленый светодиод
  - Горит: Принтер работает в режиме ON LINE (на связи с компьютером)
  - Не горит: Принтер работает в режиме OFF LINE (связь с компьютером разорвана)
  - Мигает: Ошибка процессора

Одновременное мигание индикаторов POWER и ON LINE сигнализирует об ошибке процессора.

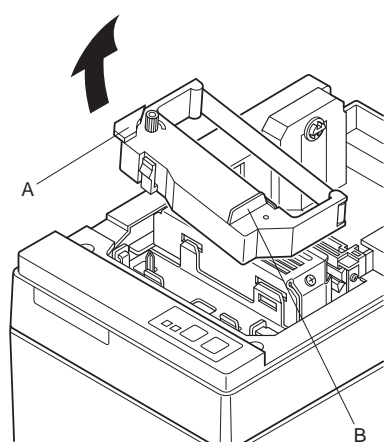
## Установка картриджа с лентой (модель с отрывной планкой)



- ① Отключите питание принтера.
- ② Поднимите крышку на высоту около 3 см. Придерживая крышку под таким углом, потяните ее на себя и снимите.



- ③ Установите картридж с лентой, как показано на иллюстрации, и нажмите его вниз для фиксации. Если после загрузки картриджа лента провисла, поверните рукоятку подачи ленты в направлении стрелки.
- ④ Поворачивайте рукоятку до тех пор, пока провисание не будет устранено.
- ⑤ Установите крышку в порядке, обратном описанному на шаге 2.

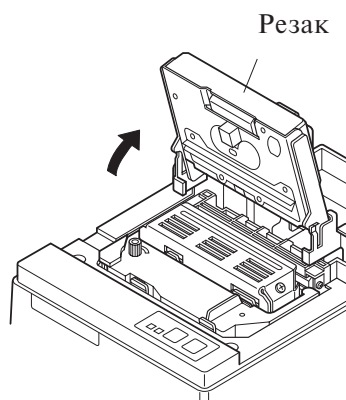


**Примечание:** Для того чтобы снять картридж, нужно поднять сторону А, а затем снять картридж, придерживая за сторону В.

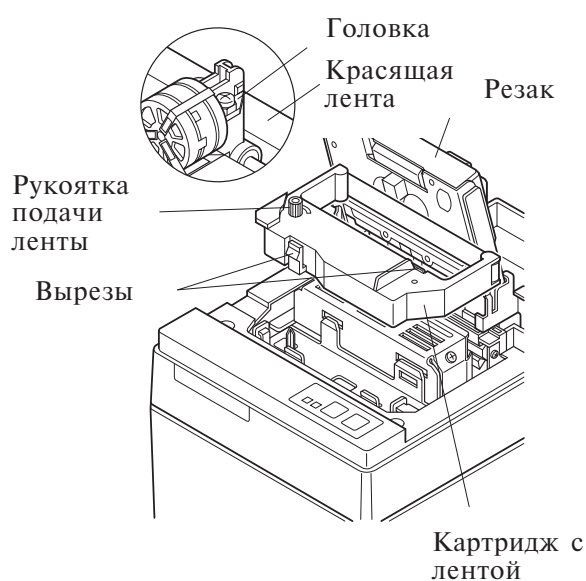
## Установка картриджа с лентой (модель с автоматическим резаком)



- ① Отключите питание принтера.
- ② Поднимите крышку на высоту около 3 см. Придерживая крышку под таким углом, потяните ее на себя и снимите.



- ③ Поднимите резак и оставьте его в вертикальном положении, как показано на рисунке.

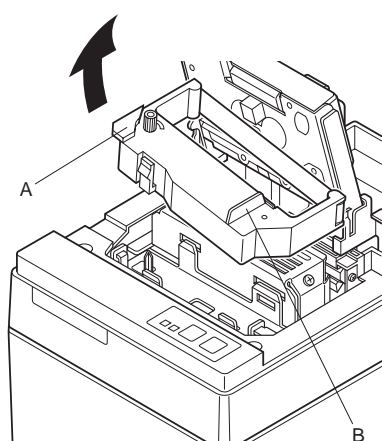


- ④ Установите картридж с лентой, как показано на иллюстрации, и нажмите его вниз для фиксации. Если после загрузки картриджа лента провисла, поверните рукоятку подачи ленты в направлении стрелки.

- ⑤ Поворачивайте рукоятку до тех пор, пока провисание не будет устранено.

- ⑥ Закройте автоматический резак.

- ⑦ Установите крышку в порядке, обратном описанному на шаге 2.



**Примечание:** Для того чтобы снять картридж, нужно поднять сторону А, а затем снять картридж, придерживая за сторону В.



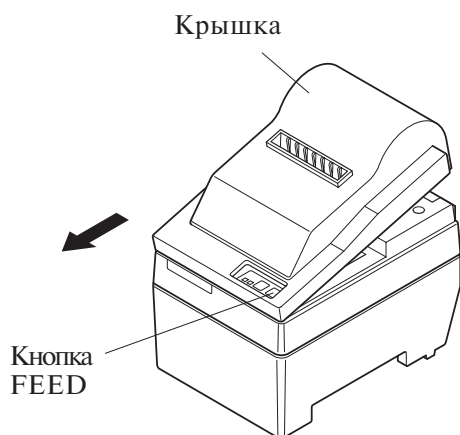
## Загрузка бумаги (модель с отрывной планкой)



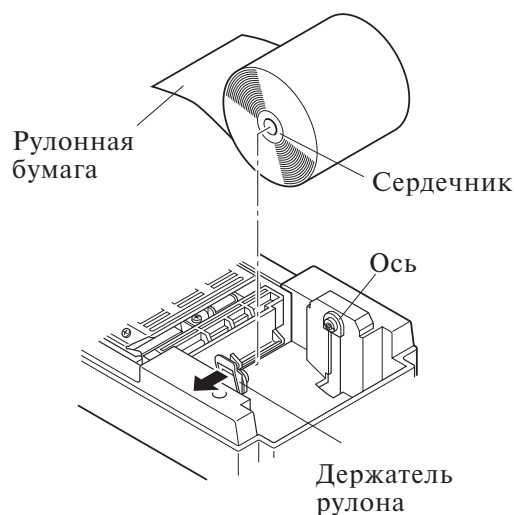
- ① Поднимите крышку примерно на 3 см. Придерживая крышку в этом положении, потяните ее на себя и снимите.
- ② Обрежьте конец ленты так, чтобы он стал прямым.
- ③ Убедитесь в том, что включено питание принтера.
- ④ Вставьте конец ленты в направляющие и засуньте его как можно глубже, соблюдая при этом правильную ориентацию рулона. При установке рулонной бумаги конец рулона покажется из выходного отверстия.
- ⑤ Переместите держатель рулона в направлении стрелки и установите рулон таким образом, чтобы отверстия в сердечнике соответствовали осям держателя. Отпустите держатель рулона для фиксации бумаги.
- ⑥ Выровняйте сердечник рулона по отношению к держателю, т.к. в противном случае не удастся правильно закрыть крышку.
- ⑦ С помощью кнопки FEED (подача бумаги) подайте около 10 см бумаги.
- ⑧ Вставьте конец рулона в щель отрывной планки, затем закройте крышку в порядке, обратном описанному на шаге 1 выше.

**Примечание:** Заменяйте рулон сразу же, как только на бумаге покажется маркер конца рулона. Не дожидайтесь, пока рулон полностью закончится.

## Загрузка бумаги (модель с автоматическимрезаком)



① Поднимите крышку примерно на 3 см. Придерживая крышку в этом положении, потяните ее на себя и снимите.



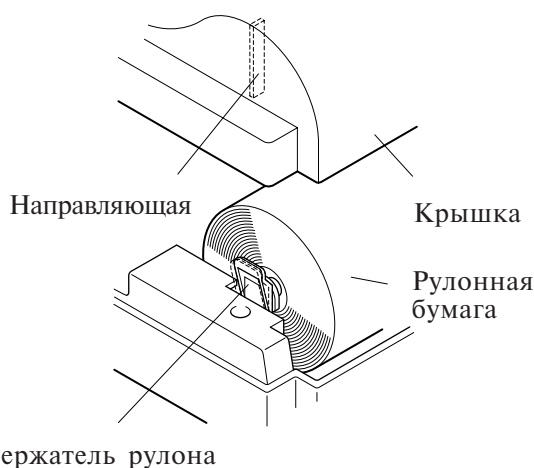
② Обрежьте конец ленты так, чтобы он стал прямым.

③ Убедитесь в том, что включено питание принтера.

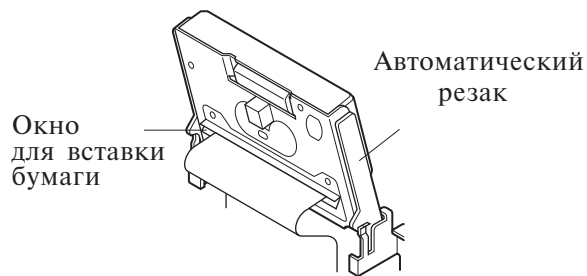
④ Вставьте конец ленты в направляющие и засуньте его как можно глубже, соблюдая при этом правильную ориентацию рулона. При установке рулонной бумаги конец рулона покажется из выходного отверстия. Бумага автоматически отрезается после выхода отрезка приблизительно на 2 см.

⑤ Переместите держатель рулона в направлении стрелки и установите рулон таким образом, чтобы отверстия в сердечнике соответствовали осям держателя. Отпустите держатель рулона для фиксации бумаги.

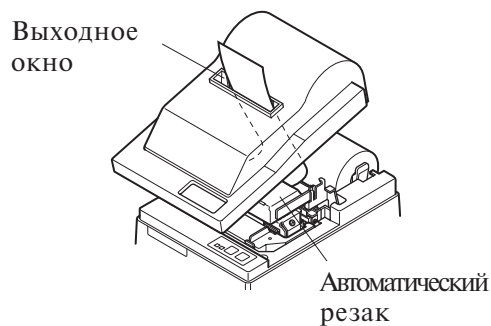
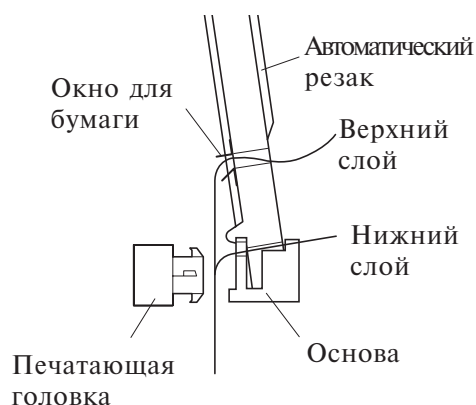
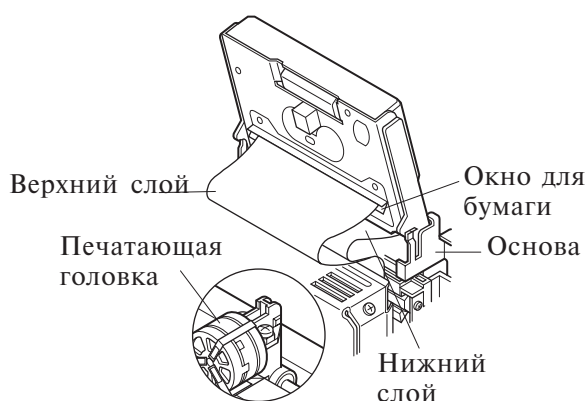
⑥ Выровняйте сердечник рулона по отношению к держателю, т.к. в противном случае не удастся правильно закрыть крышку.



⑦ С помощью кнопки FEED (подача бумаги) подайте около 10 см бумаги.

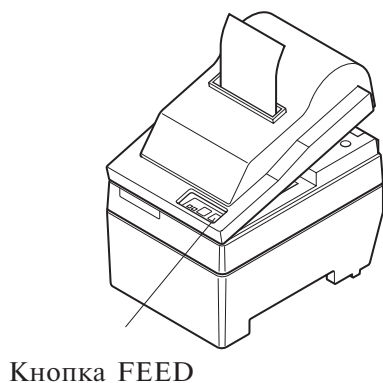


- ⑧ Вставьте конец рулона в автоматический резак.
- Если используется самокопирующаяся бумага, в резак нужно помещать только оригинал (верхний слой). Копию (нижний слой) нужно вставить между основанием и резак.

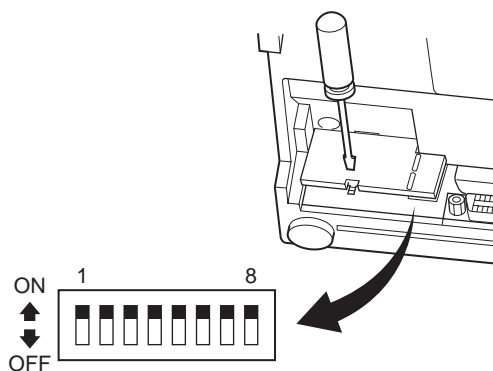


- ⑨ Вытяните конец бумаги для того, чтобы устранить провисание, и опустите резак.
- ⑩ Вставьте бумагу в выходное отверстие и закройте крышку в обратном порядке.

**Примечание:** Заменяйте рулон сразу же, как только на бумаге покажется маркер конца рулона. Не дожидайтесь, пока рулон полностью закончится.



# Настройка DIP-переключателей: параллельный интерфейс



## ■ DIP-переключатель

DIP	Функция	ON	OFF
1	Детектор конца бумаги	Вкл.	Выкл.
2	Управляющий код CR	Выкл.	Вкл.
3	Международный набор символов	См. ниже	
4			
5			
6	Буфер данных	Доступен (около 1 кб)	Недоступен (1 строка)
7	Режим символьного генератора	См. ниже	
8			

Заводское положение DIP-переключателей – все в положении ON.

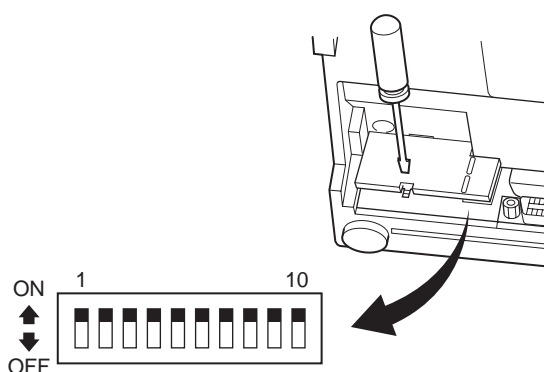
### Международный набор символов

DIP	США	Франция	Германия	Англия	Дания	Швеция	Италия	Испания
3	ON	OFF	ON	OFF	ON	OFF	ON	OFF
4	ON	ON	OFF	OFF	ON	ON	OFF	OFF
5	ON	ON	ON	ON	OFF	OFF	OFF	OFF

### Символьный генератор

DIP	США	ЕС	Япония	Япония
7	ON	ON	OFF	OFF
8	ON	OFF	ON	OFF

# Настройка DIP-переключателей: последовательный интерфейс



## ■ DIP-переключатель

DIP	Функция	ON	OFF
1	Режим команд	Режим STAR	Режим VeriFone
2	Управляющий код CR	Выкл.	Вкл.
3	Международный набор символов	См. ниже	
4			
5			
6	Скорость передачи данных	См. ниже	
7			
8	Длина данных	8 бит данных	7 бит данных
9	Проверка четности	Нет	Есть
10	Четность	Нечетная	Четная

Заводское положение DIP-переключателей — все в положении ON.

## □ Международный набор символов

DIP	США	Франция	Германия	Англия	Дания	Швеция	Италия	Испания
3	ON	OFF	ON	OFF	ON	OFF	ON	OFF
4	ON	ON	OFF	OFF	ON	ON	OFF	OFF
5	ON	ON	ON	ON	OFF	OFF	OFF	OFF

## □ Скорость передачи данных

Бод	Переключатель 6	Переключатель 7
1200	OFF	OFF
2400	OFF	ON
4800	ON	OFF
9600	ON	ON

## Технические характеристики

Способ печати	Последовательная ударная матричная печать
Число знакомест	42 (16 символов на дюйм) 35 (13,4 символа на дюйм)
Направление печати	Двунаправленная печать с фрикционной подачей
Ширина области печати	Макс. 66 мм
Расстояние между точками	0,316 (гор.) × 0,423(верт.) мм
Размер символа	1,28 (ш) × 2,87 (в) мм (7×7, 16 симв./дюйм) 1,59 (ш) × 2,87 (в) мм (9×7, 13,4 симв./дюйм)
Набор символов	Алфавитно-цифровые символы: 95 Международные символы: 12 Специальные символы: 64 Специальные символы IBM: 83
Скорость печати	Около 2,5 строк/с
Скорость подачи бумаги	Около 9 строк/с
Межстрочный интервал	4,2 мм
Структура символов	7×7 или 9×7
Интерфейс	Совместим с RS232C / Centronics
Объем буфера приема	Около 1 кб
Наработка на отказ	9 млн. строк – экспериментальный результат 2,5 млн. строк – расчетная наработка
Срок службы головки	75 млн. символов
Ресурс резака	0,3 млн. разрезов (полных или частичных)
Температура	Эксплуатация: от 0 до 50 °C Хранение: от -20 до 70 °C
Влажность	Эксплуатация: от 10 до 90 % (без конденсации) Хранение: от 5 до 95% (без конденсации)
Габариты	С планкой: 158 × 234 × 193 (ш×г×в мм) С резаком: 158 × 239,7 × 193 (ш×г×в мм)
Вес	С планкой: Около 3 кг С резаком: Около 3,4 кг

На странице нашего сайта по адресу  
[http://www.star-micronics.co.jp/service/frame\\_sp\\_spr\\_e.htm](http://www.star-micronics.co.jp/service/frame_sp_spr_e.htm)

Вы сможете найти информацию о новейших драйверах и утилитах для принтеров.



**ELECTRONIC PRODUCTS DIVISION  
STAR MICRONICS CO., LTD.**

536 Shimizunanatsushinya,  
Shizuoka, 424-0066 Japan  
Tel : 0543-47-0112  
Fax: 0543-48-5013

**OVERSEAS SUBSIDIARY COMPANIES  
STAR MICRONICS AMERICA, INC.**

1150 King Georges Post Road, Edison,  
NJ 08837-3729 U.S.A.  
Tel : 732-623-5555  
Fax: 732-623-5590  
<http://www.starmicronics.com>

**STAR MICRONICS EUROPE LTD.**

Star House, Peregrine Business  
Park, Gomm Road, High Wycombe,  
Bucks, HP13 7DL, U.K.  
Tel : 01494-471111  
Fax: 01494-473333  
<http://www.StarMicronicsEurope.com>

Please access the following URL  
[http://www.star-micronics.co.jp/service/frame\\_sp\\_spr\\_e.htm](http://www.star-micronics.co.jp/service/frame_sp_spr_e.htm)  
for the latest revision of the manual.

---

Distributed by

2004.01.15  
Printed in Japan, 80870370

## Free Manuals Download Website

<http://myh66.com>

<http://usermanuals.us>

<http://www.somanuals.com>

<http://www.4manuals.cc>

<http://www.manual-lib.com>

<http://www.404manual.com>

<http://www.luxmanual.com>

<http://aubethermostatmanual.com>

Golf course search by state

<http://golfingnear.com>

Email search by domain

<http://emailbydomain.com>

Auto manuals search

<http://auto.somanuals.com>

TV manuals search

<http://tv.somanuals.com>