

*THERMAL PRINTER*  
**TSP600 SERIES**  
***USER'S MANUAL***



**Federal Communications Commission  
Radio Frequency Interference  
Statement**

This equipment has been tested and found to comply with the limits for a Class A digital device, pursuant to Part 15 of the FCC Rules. These limits are designed to provide reasonable protection against harmful interference when the equipment is operated in a commercial environment. This equipment generates, uses and can radiate radio frequency energy and, if not installed and used in accordance with the instruction manual, may cause harmful interference to radio communications. Operation of this equipment in a residential area is likely to cause harmful interference in which case the user will be required to correct the interference at his own expense.

For compliance with the Federal Noise Interference Standard, this equipment requires a shielded cable.

*This statement will be applied only for the printers marketed in U.S.A.*

**Statement of  
The Canadian Department of Communications  
Radio Interference Regulations**

This digital apparatus does not exceed the Class A limits for radio noise emissions from digital apparatus set out in the Radio Interference Regulations of the Canadian Department of Communications.

Le présent appareil numérique n'émet pas de bruits radioélectriques dépassant les limites applicables aux appareils numériques de la classe A prescrites dans le Règlement sur le brouillage radioélectrique édicté par le ministère des Communications du Canada.

*The above statement applies only to printers marketed in Canada.*

**CE  
Manufacturer's Declaration of Conformity**

**EC Council Directive 89/336/EEC of 3 May 1989**

This product has been designed and manufactured in accordance with the International Standards EN 61000-6-3/10.2001 and EN 55024/09.98 following the provisions of the Electro Magnetic Compatibility Directive of the European Communities as of May 1989.

**EC Council Directive 73/23/EEC and 93/68/EEC of 22 July 1993**

This product has been designed and manufactured in accordance with the International Standards EN 60950 following the provisions of the Low Voltage Directive of the European Communities as of July 1993.

*The above statement applies only to printers marketed in EU.*

**Trademark acknowledgments**

**TSP600:** Star Micronics Co., Ltd.

**ESC/POS:** Seiko Epson Corporation

**Notice**

- All rights reserved. Reproduction of any part of this manual in any form whatsoever, without STAR's express permission is forbidden.
- The contents of this manual are subject to change without notice.
- All efforts have been made to ensure the accuracy of the contents of this manual at the time of going to press. However, should any errors be detected, STAR would greatly appreciate being informed of them.
- The above notwithstanding, STAR can assume no responsibility for any errors in this manual.

© Copyright 2001 Star Micronics Co., LTD.

## Safety Information

---

***Important!***

*Make sure that the printer is turned off and unplugged from the AC outlet and that the computer is turned off before making connections.*

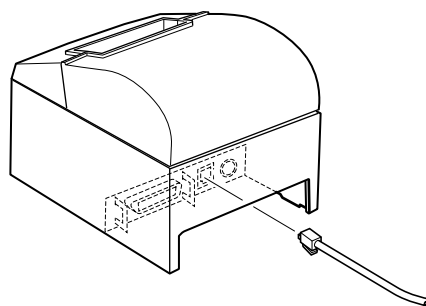
---

***Important!***

*Do not connect a telephone line into the peripheral drive connector. Failure to observe this may result in damage to the printer.*

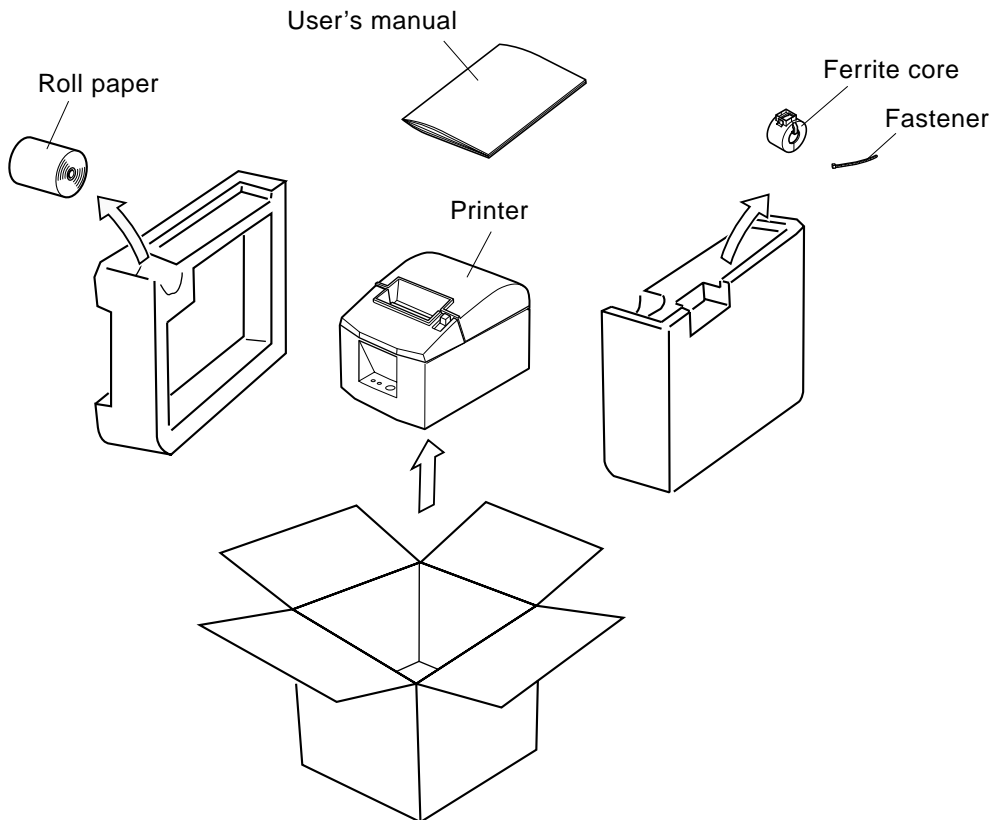
*Also, for safety purposes, do not connect wiring to the external drive connector if there is a chance it may carry peripheral voltage.*

---



## Unpacking

- ✓ Printer
- ✓ User's manual
- ✓ Roll paper
- ✓ Ferrite core(Parallel interface model only)
- ✓ Fastener(Parallel interface model only)



## Choosing a place for the printer

Before actually unpacking the printer, you should take a few minutes to think about where you plan to use it. Remember the following points when doing this.

- ✓ Choose a firm, level surface where the printer will not be exposed to vibration.
- ✓ The power outlet you plan to connect to for power should be nearby and unobstructed.
- ✓ Make sure that the printer is close enough to your host computer for you to connect the two.
- ✓ Make sure that the printer is not exposed to direct sunlight.
- ✓ Make sure that the printer is well away from heaters and other sources of extreme heat.
- ✓ Make sure that the surrounding area is clean, dry, and free of dust.
- ✓ Make sure that the printer is connected to a reliable power outlet. It should not be on the same electric circuit as copiers, refrigerators, or other appliances that cause power spikes.
- ✓ Make sure that the room where you are using the printer is not too humid.

## Consumable Parts

When consumable parts have run out, use those specified in the table below. Make sure that the AC adapter specified in the table is used.

Use of consumable parts or AC adapter which are not specified in the table may result in damage to the printer, fire or electric shock.

### (1) Roll paper specification

Thermal paper

Thickness: 65~85  $\mu\text{m}$

Width: 79.5 $\pm$ 0.5 mm (57.5 $\pm$ 0.5 mm when the optional paper roller holder is used)

Outer roll diameter:  $\phi$ 90 mm or less

Core outer/inner diameter

Paper thickness	Core outer	Core inner
65~85 $\mu\text{m}$	$\phi$ 18 $\pm$ 1 mm	$\phi$ 12 $\pm$ 1 mm

Printed surface: Outer edge of roll

Tail end handling: Do not use paste or glue to secure the roll paper or its core.  
Do not fold the tail end of the paper.

### (2) Recommended paper

Mitsubishi Paper Mills Limited

P220AG (normal type paper), 65  $\mu\text{m}$  (thickness)

HP220A (high image stability paper), 65  $\mu\text{m}$  (thickness)

HP220AB-1 (high image stability paper), 75  $\mu\text{m}$  (thickness)

P220AB (normal type paper, card ticket), 85  $\mu\text{m}$  (thickness)

PB670 (2 color paper: Red & Black), 75  $\mu\text{m}$  (thickness)

PB770 (2 color paper: Blue & Black), 75  $\mu\text{m}$  (thickness)

Oji Paper Co., Ltd.

PD150R (normal type paper), 75  $\mu\text{m}$  (thickness)

PD160R (high image stability paper), 65/75  $\mu\text{m}$  (thickness)

PD750R (2 color paper: Red & Black), 75  $\mu\text{m}$  (thickness)

PD700R (2 color paper: Blue & Black), 75  $\mu\text{m}$  (thickness)

Nippon Paper Industries

TF50KS-E2C (normal type paper), 65  $\mu\text{m}$  (thickness)

Kanzaki Specialty Papers Inc. (KSP)

P320RB (2 color paper: Red & Black), 65  $\mu\text{m}$  (thickness)

P320BB (2 color paper: Blue & Black), 65  $\mu\text{m}$  (thickness)

Depending on the type and thickness of the paper, it may be necessary to change the settings for printing darkness. To change the darkness settings, use the printing darkness settings command <ESC><RS> 'd' n. Refer to the separate programmer's manual for details.

## Connecting the Optional AC Adapter

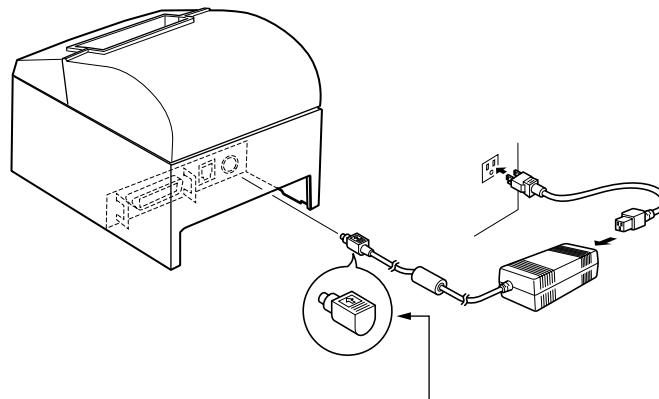
**Note:** Before connecting/disconnecting the AC adapter, make sure that power to the printer and all the devices connected to the printer is turned off. Also make sure the power cable plug is disconnected from the AC outlet.

(1) Connect the AC adapter to the power cable.

**Note:** Use only the standard AC adapter and power cable.

(2) Connect AC adapter to the connector on the printer.

(3) Insert the power cable plug into an AC outlet.

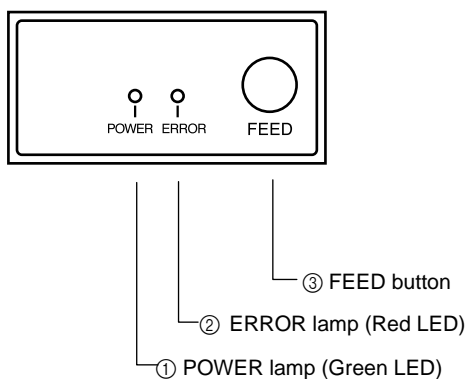


### **Important!**

When disconnecting the cable, take hold of the cable connector to pull it out. Releasing the lock makes it easy to disconnect the connector.

Pulling the cable excessively could cause damage to the connector.

## Control Panel



① POWER lamp (Green LED)  
Lights when the power is ON

② ERROR lamp (Red LED)  
Indicates various errors in combination with  
POWER lamp

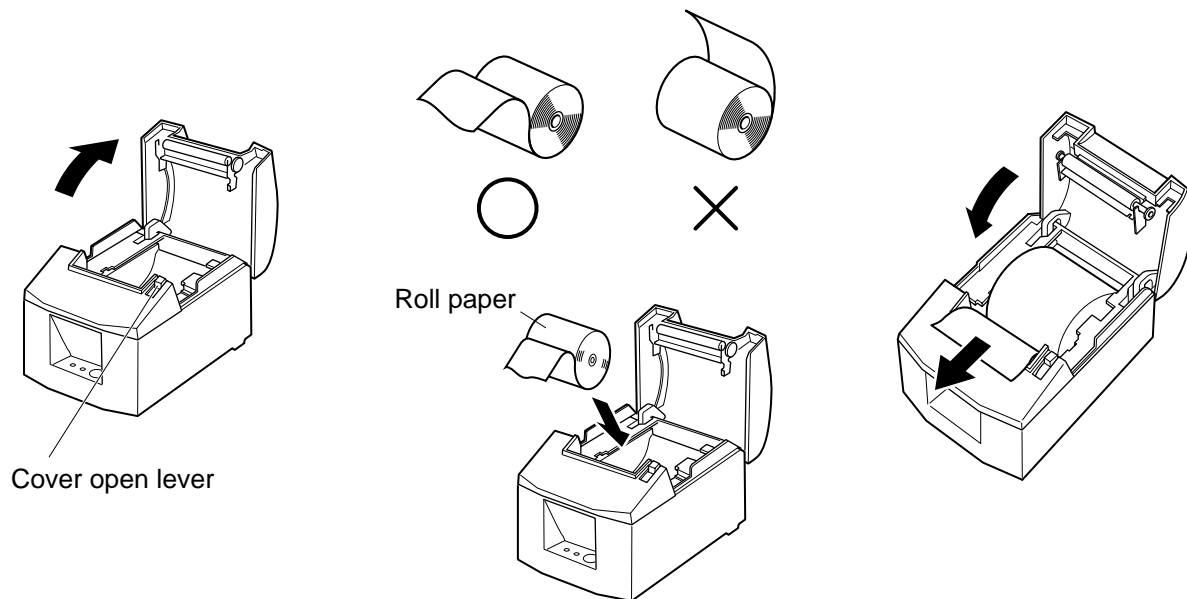
③ FEED button  
Press the FEED button to feed roll paper.

## Loading the Roll Paper

Be sure to use roll paper that matches the printer's specification.

When using a paper roll with an 57.5 mm width, install the optional paper roll holder.

Push the Cover open lever, and open the printer cover.



While observing the direction of the roll, set the paper roll into the hollow, and pull on the leading edge of the paper toward you.

## Removing Paper Jam

If a paper jam occurs, clear it as described below.

(1) Set the power switch to off to turn off power to the printer.

(2) Pull the lever toward you to open the printer cover.

If the printer cover will not open on auto cutter models, it means that the auto cutter is not at the home position. In this case, return the auto cutter to the home position by following the instructions provided in next section. Then open the printer cover after the paper jam has been removed.

(3) Remove the jammed paper.

**Note:** Take care not to damage the printer when removing the jammed paper.

Since it is easy to damage the thermal head in particular, take care not to touch it.

(4) Position the roll paper straight and close the printer cover gently.

**Note 1:** Make sure that the paper is positioned straight. If the printer cover is closed with the paper skewed, a paper jam may result.

**Note 2:** Lock the printer cover by pressing down on the sides. Do not try to close it by pressing down on the center. The cover may not lock properly.

(5) Set the power switch to on to turn on power to the printer. Make sure that the ERROR LED is not lit.

**Note:** While the ERROR LED is lit, the printer will not accept any commands such as the print command, so make sure that the printer cover is locked properly.

## Releasing a Locked Cutter (Auto Cutter Mode only)

If the auto cutter locks up or fails to cut the paper, follow the steps below.

---

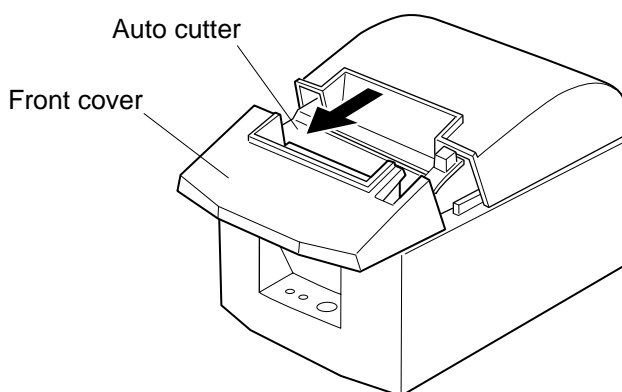
### Caution

Since working on the cutter may be dangerous, be sure to turn off the printer first.

---

- (1) Set the power switch to OFF to turn off the printer.
- (2) Slide off the front cover to reveal the auto cutter.
- (3) Remove any jammed paper.

**Note:** Be careful not to damage the printer while removing any jammed paper.  
Since the thermal print head is particularly sensitive, be sure not to touch it.



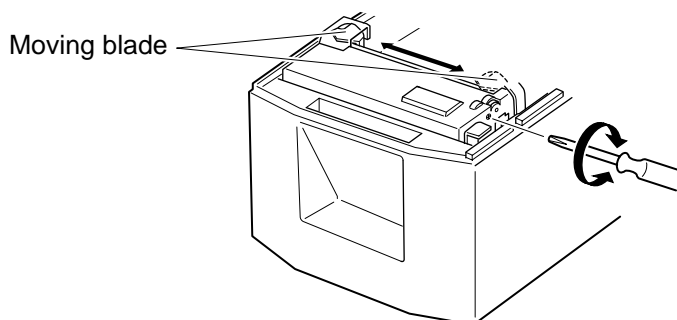
- (4) If the cutter's moving blade is protruding, use a Phillips screwdriver to turn the Phillip-head screw and return the moving blade to its home position.

When the check window is completely white, the moving blade is at its home position.

**Note 1:** Do not apply extreme pressure to the moving blade.

**Note 2:** If the moving blade is protruding too much, the printer cover cannot be opened. Trying to open the printer cover may damage the cutter.

- (5) Open the printer cover, remove any jammed paper, and then re-install the paper roll.
- (6) Install the front cover, and then set the power switch to ON.



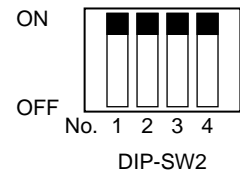
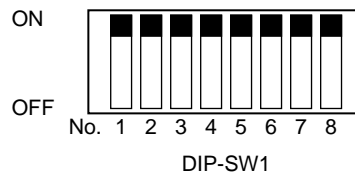
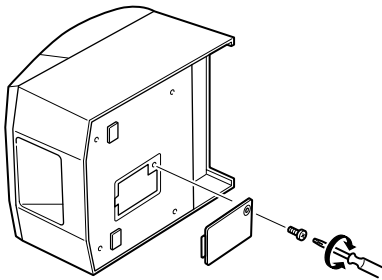
## Cleaning the Thermal Head

To remove blackish dust collected on the surface of the thermal head, wipe it with Isopropyl alcohol (IPA).

**Note:** The thermal head is easy to damage, so clean it gently with a soft cloth. Take sufficient care not to scratch it when cleaning it.



# Dip Switch Settings - Parallel Interface Type



## DIP-SW 1

Switch 1-1	Command emulation
ON	Star Mode
OFF	ESC/POS Mode

All factory settings for DIP switch on the auto cutter model are set at on. Switch 1-3 on the tear bar model is set at off, and the others are set at on.

### (1) Star mode

Switch	Function	ON	OFF
1-1	Command emulation	Always ON	
1-2	Should not be changed (Should be set to on)		
1-3	Auto cutter	Valid	Invalid
1-4	Sensor adjustment	Invalid	Valid
1-5	Pin #31 (INIT) reset signal	Valid	Invalid
1-6	Handshaking conditions (conditions for BUSY)	Offline or receive buffer full	Receive buffer full
1-7	Automatic status back function	Invalid	Valid
1-8	Should not be changed (Should be set to on)		

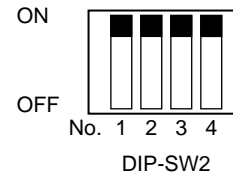
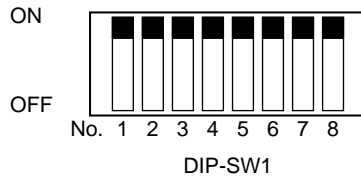
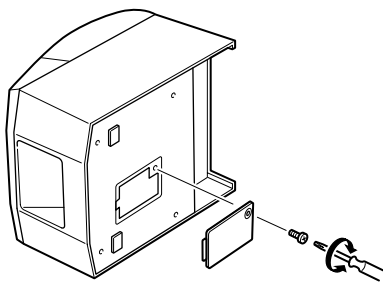
### (2) ESC/POS mode

Switch	Function	ON	OFF
1-1	Command emulation	Always OFF	
1-2	Graphic adjustment	203 DPI	180 DPI
1-3	Auto cutter	Valid	Invalid
1-4	Sensor adjustment	Invalid	Valid
1-5	Pin #31 (INIT) reset signal	Valid	Invalid
1-6	Handshaking conditions (conditions for BUSY)	Offline or receive buffer full	Receive buffer full
1-7	Automatic status back function	Invalid	Valid
1-8	Should not be changed (Should be set to on)		

## DIP-SW 2

Switch	Function	ON	OFF
2-1	Always ON	Should be set to on	
2-2			
2-3			
2-4			

# Dip Switch Settings - Serial Interface Type



## DIP-SW 1

Switch 1-1	Command emulation
ON	Star Mode
OFF	ESC/POS Mode

All factory settings for DIP switch on the auto cutter model are set at on. Switch 1-3 on the tear bar model is set at off, and the others are set at on.

### (1) Star mode

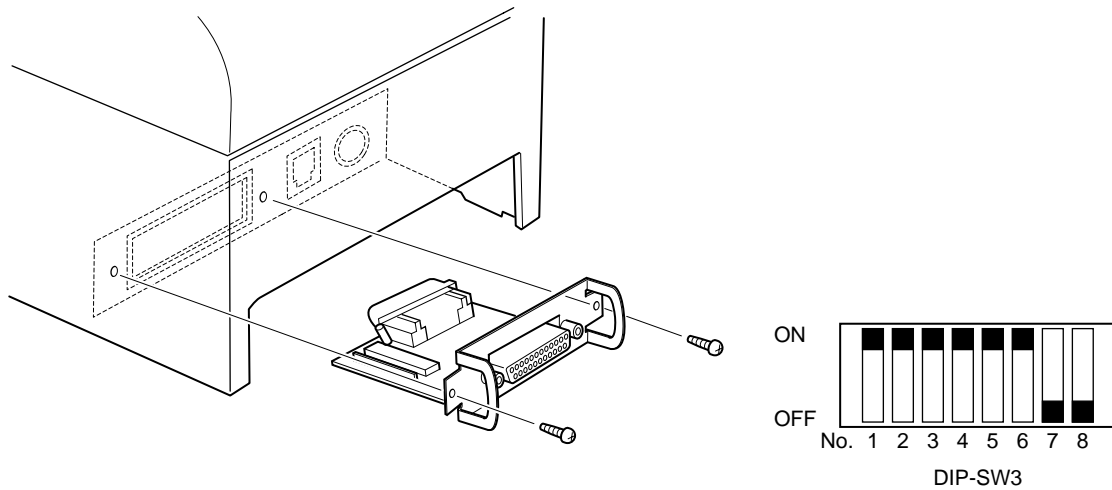
Switch	Function	ON	OFF
1-1	Command emulation	Always ON	
1-2	Should not be changed (Should be set to on)		
1-3	Auto cutter	Valid	Invalid
1-4	Sensor adjustment	Invalid	Valid
1-5	Should not be changed (Should be set to on)		
1-6	Handshaking conditions (conditions for BUSY)	Offline or receive buffer full	Receive buffer full
1-7	Automatic status back function	Invalid	Valid
1-8	Should not be changed (Should be set to on)		

### (2) ESC/POS mode

Switch	Function	ON	OFF
1-1	Command emulation	Always OFF	
1-2	Graphic Adjustment	203 DPI	180 DPI
1-3	Auto cutter	Valid	Invalid
1-4	Sensor adjustment	Invalid	Valid
1-5	Should not be changed (Should be set to on)		
1-6	Handshaking conditions (conditions for BUSY)	Offline or receive buffer full	Receive buffer full
1-7	Automatic status back function	Invalid	Valid
1-8	Should not be changed (Should be set to on)		

## DIP-SW 2

Switch	Function	ON	OFF
2-1	Always ON	Should be set to on	
2-2			
2-3			
2-4			



### DIP-SW 3

Switch	Function	ON	OFF
3-1	Baud Rate	See table below	
3-2			
3-3	Data Length	8 bits	7 bits
3-4	Parity Check	Disabled	Enabled
3-5	Parity	Odd	Even
3-6	Handshake	DTR/DSR	XON/XOFF
3-7	Pin #6 (DSR) reset signal	Valid	Invalid
3-8	Pin #25 (INIT) reset signal	Valid	Invalid

Baud Rate	Switch 3-1	Switch 3-2
4800BPS	OFF	ON
9600BPS	ON	ON
19200BPS	ON	OFF

The factory settings of DIP switch are all on, except for switches 7 and 8.

## Specifications

Printing method	Thermal line printing
Dot density	203dpi x 203 dpi (8 dot/mm)
Printing direction	Unidirectional with friction feed
Printing width	Max. 72mm (576 dots)
Character per line (default)	Font A: 48, Font B: 64
Character spacing (default)	0 dot
Character size	Font A: 1.5 x 3.0 mm Font B: 1.125 x 3.0 mm
Character set	Alphanumeric characters: 95 International characters: 32 External graphics: 128 x 40 pages
Print speed	Max. 100 mm/sec
Line spacing	3mm / 4mm
Character structure	Font A: 12 x 24 Font B: 9 x 24
Interface	RS232C / IEEE1284 / USB / Ethernet
Received buffer size	8K / 64 bytes
MCCBF	60 million lines (based on an average printing rate of 12.5% with paper thickness in the 65 $\mu$ m)
Cutter life	0.5 million (65-85 $\mu$ m thick paper)
Temperature	Operating: 5 to 45 °C Storage: -20 to 60 °C
Humidity	Operating: 10 to 90% RH (without condensation) Storage: 10 to 90% RH (without condensation)
Dimension	142 x 199 x 132 (W x D x H mm)
Weight	Approx. 1.4 Kg

## Options

- (1) Wall Mount Set (WB-T600)
- (2) Vertical Stand Set (VS-T600)
- (3) USB Interface Board Unit (IFBD-HU04)
- (4) Parallel Interface Board Unit (IFBD-HC04)
- (5) 25 Pin RS-232C Interface Board Unit (IFBD-HD04)
- (6) 9 Pin RS-232C Interface Board Unit (IFBD-HN04)
- (7) Ethernet Interface Board Unit (IFBD-HE04)

Please access the following URL  
[http://www.star-micronics.co.jp/service/frame\\_sp\\_spr\\_e.htm](http://www.star-micronics.co.jp/service/frame_sp_spr_e.htm)  
 for the latest printer drivers and utilities.

*IMPRIMANTE THERMIQUE*

**SÉRIE TSP600**

***MODE D'EMPLOI***



**Federal Communications Commission  
Interférences radioélectriques  
Déclaration**

Cet appareil a été testé et déclaré conforme aux normes des appareils numériques de Classe A, conformément à l'article 15 du règlement de la FCC. Ces normes ont été établies en vue de fournir une protection convenable contre les parasites en usage commercial. Cet appareil génère, utilise et peut émettre des ondes radioélectriques, et s'il n'est pas installé et utilisé conformément aux instructions, peut produire des parasites en communications radio. L'utilisation de cet appareil dans une zone résidentielle produira vraisemblablement des parasites, dont l'élimination devra être prise en charge par l'utilisateur lui-même et à ses frais.

Pour être conforme à la norme antiparasitage fédérale, cet appareil doit être utilisé avec un câble blindé.

*Cette déclaration ne concerne que les imprimantes vendues aux États-Unis d'Amérique.*

**Déclaration du  
Ministère des Communications du Canada  
Règlement sur le brouillage radioélectrique**

Le présent appareil numérique n'émet pas de bruits radioélectriques dépassant les limites applicables aux appareils numériques de la Classe A prescrites dans le Règlement sur le brouillage radioélectrique édicté par le Ministère des Communications du Canada.

*Cette déclaration ne concerne que les imprimantes vendues au Canada.*

**Déclaration de conformité CE du fabricant**

**Directive du conseil de la CE 89/336/EEC du 3 mai 1989**

Ce produit a été conçu et fabriqué en accord avec les normes internationales EN 61000-6-3/10.2001 et EN 55024/09.98 selon les dispositions de la Directive de mai 1989 de la CE, relative à la compatibilité électromagnétique.

**Directives du conseil de la CE 73/23/EEC et 93/68/EEC du 22 juillet 1993**

Ce produit a été conçu et fabriqué en accord avec les normes internationales EN 60950 selon les dispositions de la Directive de juillet 1993 de la CE, relative à la basse tension.

*Valable pour les imprimantes commercialisées en Europe seulement.*

**Renseignements sur les marques de fabrique**

**TSP600:** Star Micronics Co., Ltd.

**ESC/POS:** Seiko Epson Corporation

**Remarque**

- Tous droits réservés. La reproduction d'une partie de ce manuel sous quelque forme que ce soit, sans la permission expresse de STAR, est strictement interdite.
- Le contenu de ce manuel peut être modifié sans préavis.
- Des précautions ont été prises lors de l'impression de ce manuel pour garantir la précision de son contenu. Cependant, en cas d'erreur dans ce manuel, STAR apprécierait grandement d'en être informé.
- Cependant, STAR n'assume aucune responsabilité en cas d'erreurs dans ce manuel.

© Copyright 2001 Star Micronics Co., LTD.

## Informations concernant la sécurité

---

### **Attention!**

*Assurez-vous que l'imprimante est hors tension, qu'elle est débranchée de la prise secteur et que l'ordinateur est hors tension avant d'effectuer les connexions.*

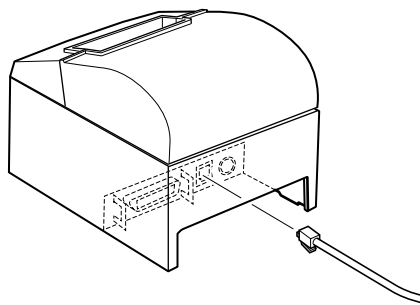
---

### **Attention!**

*Ne connectez pas une ligne de téléphone à la borne du pilote de périphérique, sous peine de risquer d'endommager l'imprimante.*

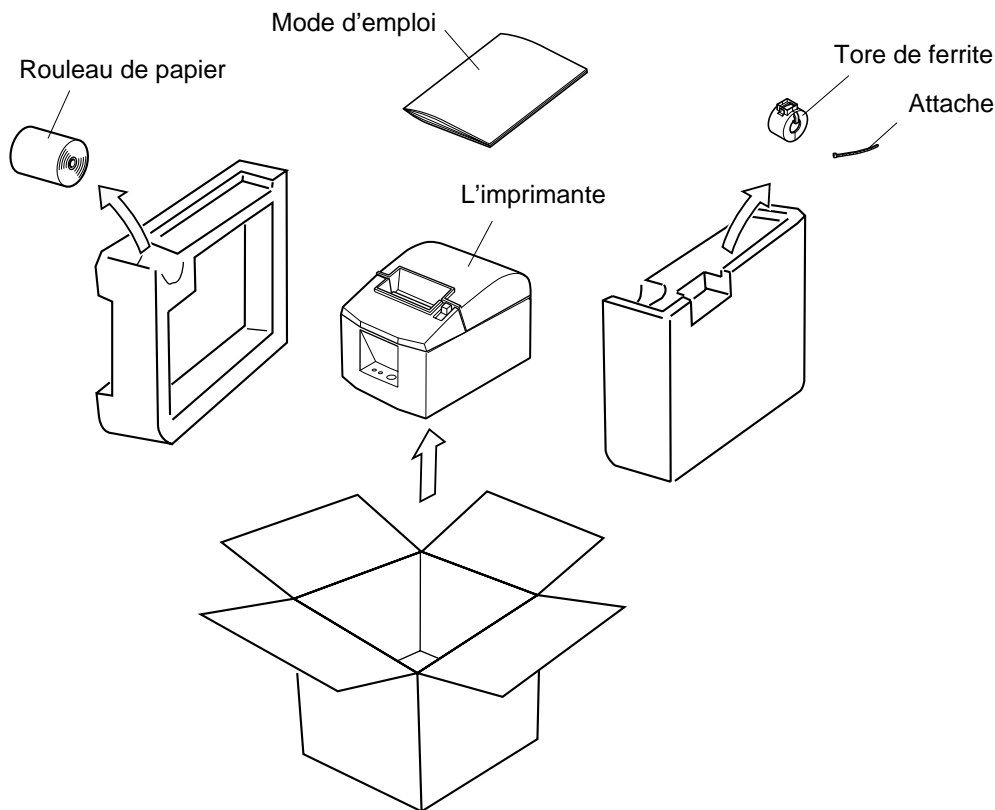
*Pour des raisons de sécurité, il convient également de ne pas brancher d'appareil périphérique en cas de risque de survolage.*

---



## Déballage

- ✓ L'imprimante
- ✓ Mode d'emploi
- ✓ Rouleau de papier
- ✓ Tore de ferrite(modèle avec interface parallèle seulement)
- ✓ Attache(modèle avec interface parallèle seulement)



## Emplacement de l'imprimante

Avant de déballer l'imprimante, déterminez l'emplacement où vous souhaitez l'installer. Veuillez observer les points ci-dessous lors de votre choix.

- ✓ Choisissez une surface stable et de niveau sur laquelle l'imprimante ne sera exposée à aucune vibration.
- ✓ Assurez-vous que l'emplacement dispose d'une prise secteur proche et d'accès aisé.
- ✓ Assurez-vous que la distance entre l'imprimante et l'ordinateur-hôte vous permet de les raccorder aisément.
- ✓ Assurez-vous que l'imprimante n'est pas exposée directement aux rayons du soleil.
- ✓ Tenez l'imprimante à l'écart des sources de chaleur importante, telles que les appareils de chauffage, etc.
- ✓ Assurez-vous que le lieu où vous souhaitez installer l'imprimante est propre, sec et n'est pas poussiéreux.
- ✓ Assurez-vous que la prise secteur à laquelle vous raccordez l'imprimante délivre une tension stable. Evitez de raccorder l'imprimante à la prise secteur d'un circuit alimentant de gros consommateurs de courant, tels qu'un photocopieur, réfrigérateur, etc.
- ✓ Assurez-vous que le lieu où vous installez l'imprimante n'est pas excessivement humide.



## Consommables

Il convient d'utiliser exclusivement les types de papier figurant dans le tableau ci-dessous. Veillez également à utiliser l'adaptateur secteur qui figure dans le tableau.

L'utilisation d'un type de papier et d'adaptateur ne figurant pas dans le tableau risque d'endommager l'imprimante, de causer un incendie ou une décharge électrique.

### (1) Rouleau de papier, caractéristiques

Papier thermique

Épaisseur: 65~85  $\mu\text{m}$

Largeur: 79,5 $\pm$ 0,5 mm (57,5 $\pm$ 0,5 mm quand le support de papier en option est utilisé)

Diamètre extérieur du rouleau:  $\phi$ 90 mm ou moins

Diamètre extérieur/intérieur du support de rouleau

Épaisseur du papier	Extérieur du support de rouleau	Intérieur du support de rouleau
65~85 $\mu\text{m}$	$\phi$ 18 $\pm$ 1 mm	$\phi$ 12 $\pm$ 1 mm

Surface imprimée: Bord extérieur du rouleau

Extrémité arrière: Ne pas utiliser de colle pour immobiliser le rouleau de papier ou son noyau.

Ne pas plier l'extrémité arrière du papier.

### (2) Papier conseillé

Mitsubishi paper mills limited

P220AG (papier de type normal), 65  $\mu\text{m}$  (épaisseur)

HP220A (papier à stabilité d'image élevée), 65  $\mu\text{m}$  (épaisseur)

HP220AB-1 (papier à stabilité d'image élevée), 75  $\mu\text{m}$  (épaisseur)

P220AB (papier de type normal, ticket), 85  $\mu\text{m}$  (épaisseur)

PB670 (papier 2 couleurs: rouge et noir), 75  $\mu\text{m}$  (épaisseur)

PB770 (papier 2 couleurs: bleu et noir), 75  $\mu\text{m}$  (épaisseur)

Oji paper Co., Ltd.

PD150R (papier de type normal), 75  $\mu\text{m}$  (épaisseur)

PD160R (papier à stabilité d'image élevée), 65/75  $\mu\text{m}$  (épaisseur)

PD750R (papier 2 couleurs: rouge et noir), 75  $\mu\text{m}$  (épaisseur)

PD700R (papier 2 couleurs: bleu et noir), 75  $\mu\text{m}$  (épaisseur)

Nippon paper industries

TF50KS-E2C (papier de type normal), 65  $\mu\text{m}$  (épaisseur)

Kanzaki Specialty Papers Inc. (KSP)

P320RB (papier 2 couleurs : rouge et noir), 65 $\mu\text{m}$  (épaisseur)

P320BB (papier 2 couleurs: bleu et noir), 65  $\mu\text{m}$  (épaisseur)

Suivant le type et l'épaisseur du papier, il peut être nécessaire de changer le réglage de clarté d'impression. Pour changer le réglage de la clarté d'impression, utilisez la commande de réglage de clarté d'impression <ESC><RS>'d'n. Reportez-vous au manuel de programmation séparé pour les détails.

## Connexion de l'adaptateur secteur optionnel

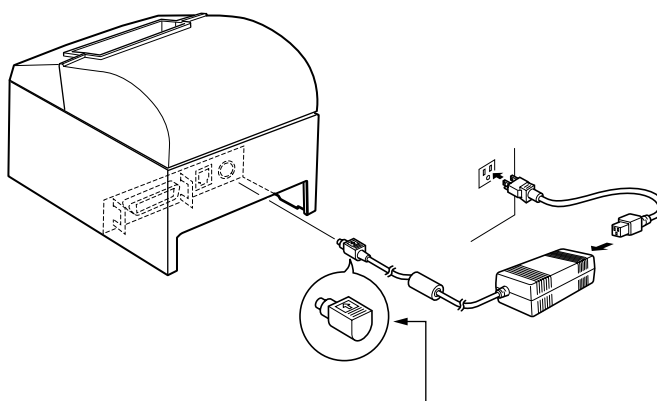
**Remarque:** Avant de connecter ou déconnecter l'adaptateur secteur, veillez à ce que l'imprimante et tous les appareils qui y sont connectés soient hors tension. Veillez également à débrancher le câble d'alimentation de la prise secteur.

(1) Connectez l'adaptateur secteur au câble d'alimentation.

**Remarque:** Utilisez exclusivement l'adaptateur secteur et le câble d'alimentation destinés à l'imprimante.

(2) Connectez l'adaptateur secteur à la borne de l'imprimante.

(3) Branchez la prise du câble d'alimentation à la prise secteur.

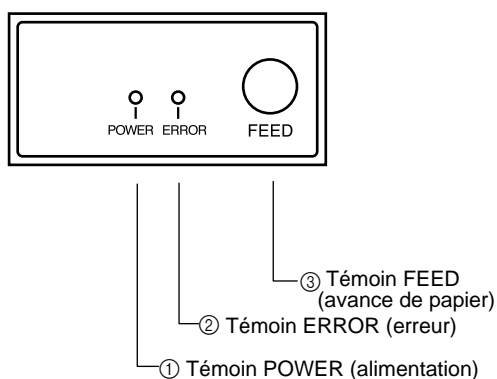


### **Attention!**

Lorsque vous débranchez le câble, saisissez la prise du câble pour tirer dessus. Vous pourrez débrancher plus facilement la prise après avoir libéré le verrou.

Ne tirez pas violemment sur le câble car vous risqueriez d'endommager la prise.

## Panneau de commande



① Témoin POWER (DEL verte)

S'allume quand l'appareil est sous tension.

② Témoin ERROR (DEL rouge)

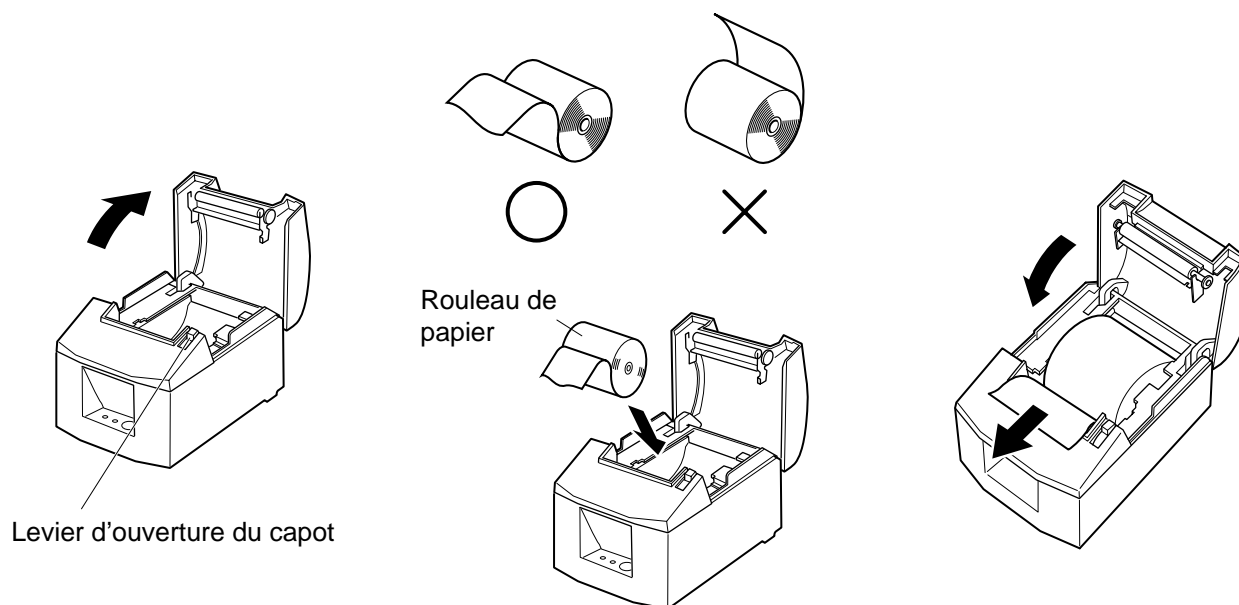
Indique des erreurs variées en combinaison avec le témoin POWER.

③ Témoin FEED

Appuyez sur la touche FEED pour faire avancer le papier.

## Chargement du rouleau de papier

Veillez à utiliser un rouleau de papier qui correspond aux spécifications de l'imprimante. Lors de l'utilisation d'un rouleau de papier de 57,5 mm de large, déposez le support du rouleau de papier. Poussez le levier d'ouverture du capot et ouvrez le capot de l'imprimante.



Mettez le rouleau de papier en place dans le creux tout en respectant son orientation, et tirez sur l'extrémité du papier.

## Correction de bourrages de papier

En cas de bourrage de papier, procédez comme suit afin d'y remédier :

(1) Mettez l'appareil hors tension.

(2) Tirez le levier tout à fait vers le bas afin d'ouvrir le capot de l'imprimante.

Si le couvercle de l'imprimante ne s'ouvre pas sur les modèles à coupe-papier automatique, c'est que celui-ci n'est pas à sa position d'origine. Dans ce cas, ramenez le coupe-papier à sa position d'origine en suivant les instructions de la section suivante. Ouvrez le couvercle de l'imprimante lorsque le papier coincé a été retiré.

(3) Retirez le papier bloqué.

**Remarque:** Veillez à ne pas endommager l'imprimante lors du retrait du papier bloqué.

Veillez particulièrement à ne pas toucher la tête d'impression thermique en raison de sa fragilité.

(4) Veillez à insérer le rouleau de papier tout droit et refermez avec soin le capot de l'imprimante.

**Remarque 1:** Le papier doit être placé bien droit. Si vous refermez le capot de l'imprimante alors que le papier est de travers (voir illustration), un bourrage peut se produire.

**Remarque 2:** Verrouillez le capot de l'imprimante en appuyant sur les côtés. Ne pas essayer de refermer le capot en appuyant sur son centre. Le capot pourrait ne pas se verrouiller correctement.

(5) Mettez l'imprimante sous tension. Assurez-vous que la DEL ERROR n'est pas allumée.

**Remarque:** Tant que la DEL ERROR est allumée, l'imprimante n'accepte aucune commande. Il faut donc veiller à ce que le capot de l'imprimante soit verrouillé.

## Libération d'une unité de découpage bloquée (mode coupe-papier automatique uniquement)

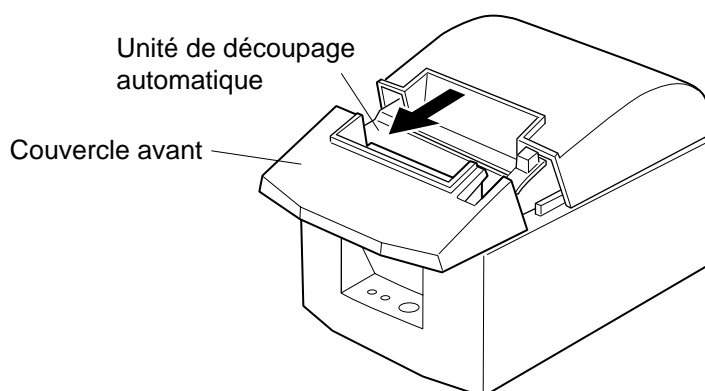
Si l'unité de découpage automatique se bloque ou ne coupe pas le papier, suivez les étapes ci-dessous.

### Attention

Le travail sur l'unité de découpage étant dangereux, n'oubliez pas de mettre avant tout l'imprimante hors tension.

- (1) Réglez l'interrupteur d'alimentation sur la position hors tension OFF pour mettre l'imprimante hors tension.
- (2) Faites glisser le couvercle avant pour dégager l'unité de découpage automatique.
- (3) Enlevez le papier coincé.

**Remarque:** Faites attention à ne pas endommager l'imprimante pendant que vous enlevez le papier coincé. La tête d'impression thermique étant particulièrement sensible, veillez à ne pas la toucher.

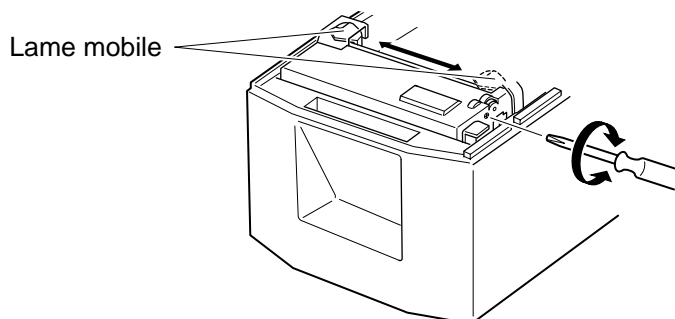


- (4) Si la lame mobile de l'unité de découpage dépasse, utilisez un tournevis cruciforme pour tourner la vis cruciforme et ramener la lame dans sa position d'origine. Quand la fenêtre de contrôle est complètement blanche, la lame mobile est dans sa position d'origine.

**Remarque 1:** N'appliquez pas de pression excessive sur la lame mobile.

**Remarque 2:** Si la lame mobile dépasse trop, le capot de l'imprimante ne pourra pas être ouvert. Vous risquez d'endommager l'unité de découpage automatique en essayant d'ouvrir le capot de l'imprimante.

- (5) Ouvrez le capot de l'imprimante, enlevez le papier coincé, puis remettez le rouleau de papier en place.
- (6) Installez le couvercle avant, puis réglez l'interrupteur d'alimentation sur la position sous tension.

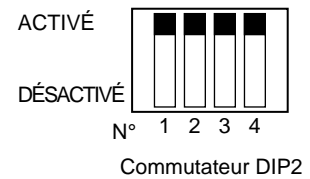
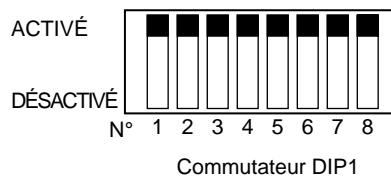
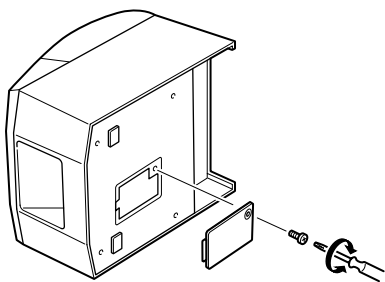


## Nettoyage de la tête d'impression

Nettoyez la poussière noirâtre accumulée sur la surface de la tête d'impression thermique en l'essuyant avec de l'alcool isopropylique.

**Remarque:** La tête d'impression thermique est fragile, il convient donc de procéder avec précaution. Prenez soin de ne pas la griffer.

# Affectation des broches des commutateurs DIP – Type à interface parallèle



## Commutateur DIP 1

Commutateur 1-1	Émulation
ACTIVÉ	Mode Star
DÉSACTIVÉ	Mode ESC/POS

Tous les réglages usine des commutateurs DIP du modèle à coupe-papier automatique sont activés. Le commutateur 1-3 du modèle à plaque-couteau est désactivé, et les autres sont activés.

### (1) Mode Star

Commutateur	Fonction	ACTIVÉ	DÉSACTIVÉ
1-1	Émulation	Toujours activé	
1-2	Ne pas modifier le réglage (doit toujours être activé).		
1-3	Coupe-papier automatique	Valide	Invalide
1-4	Réglage de capteur	Invalide	Valide
1-5	Broche n°31 (INIT) signal de réinitialisation	Valide	Invalide
1-6	État d'établissement de liaison (état OCCUPÉ)	Hors-ligne ou mémoire tampon réceptrice pleine	Mémoire tampon réceptrice pleine
1-7	Fonction de transmission automatique d'état	Invalide	Valide
1-8	Ne pas modifier le réglage (doit toujours être activé).		

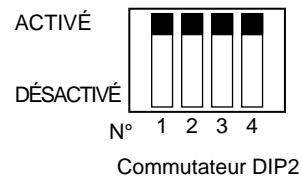
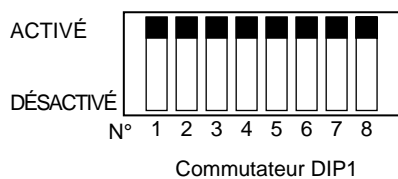
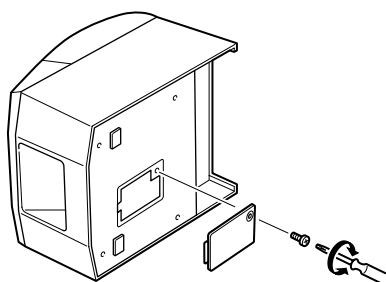
### (2) Mode ESC/POS

Commutateur	Fonction	ACTIVÉ	DÉSACTIVÉ
1-1	Émulation	Toujours désactivé	
1-2	Réglage graphie	203 ppp	180 ppp
1-3	Coupe-papier automatique	Valide	Invalide
1-4	Réglage de capteur	Invalide	Valide
1-5	Broche n°31 (INIT) signal de réinitialisation	Valide	Invalide
1-6	État d'établissement de liaison (état OCCUPÉ)	Hors-ligne ou mémoire tampon réceptrice pleine	Mémoire tampon réceptrice pleine
1-7	Fonction de transmission automatique d'état	Invalide	Valide
1-8	Ne pas modifier le réglage (doit toujours être activé).		

## Commutateur DIP 2

Commutateur	Fonction	ACTIVÉ	DÉSACTIVÉ
2-1	Toujours activé	Doit toujours être activé.	
2-2			
2-3			
2-4			

# Affectation des broches des commutateurs DIP – Type à interface série



## Commutateur DIP 1

Commutateur 1-1	Émulation
ACTIVÉ	Mode Star
DÉSACTIVÉ	Mode ESC/POS

Tous les réglages usine des commutateurs DIP du modèle à coupe-papier automatique sont activés. Le commutateur 1-3 du modèle à plaque-couteau est désactivé, et les autres sont activés.

### (1) Mode Star

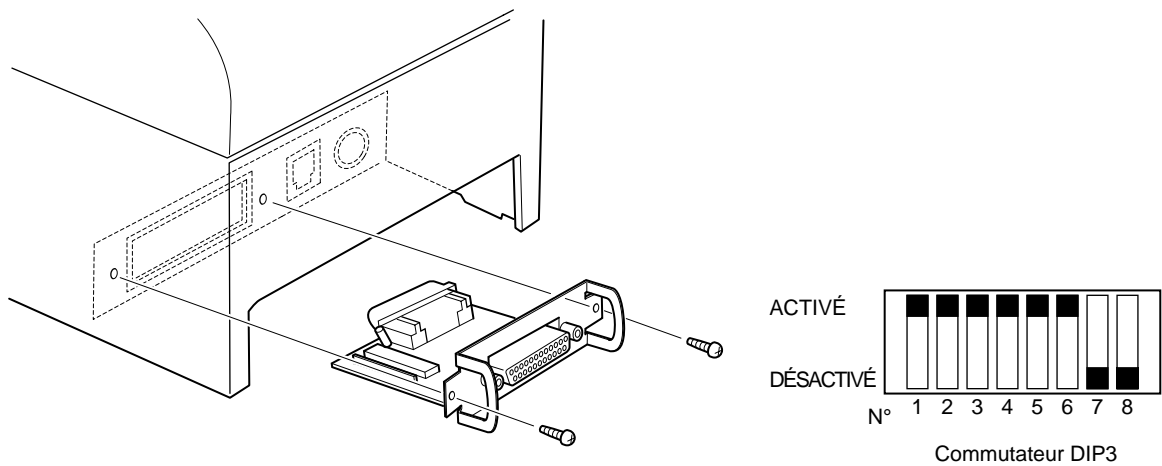
Commutateur	Fonction	ACTIVÉ	DÉSACTIVÉ
1-1	Émulation	Toujours activé	
1-2	Ne pas modifier le réglage (doit toujours être activé).		
1-3	Coupe-papier automatique	Valide	Invalide
1-4	Réglage de capteur	Invalide	Valide
1-5	Ne pas modifier le réglage (doit toujours être activé).		
1-6	État d'établissement de liaison (état OCCUPÉ)	Hors-ligne ou mémoire tampon réceptrice pleine	Mémoire tampon réceptrice pleine
1-7	Fonction de transmission automatique d'état	Invalide	Valide
1-8	Ne pas modifier le réglage (doit toujours être activé).		

### (2) Mode ESC/POS

Commutateur	Fonction	ACTIVÉ	DÉSACTIVÉ
1-1	Émulation	Toujours désactivé	
1-2	Réglage graphie	203 ppp	180 ppp
1-3	Coupe-papier automatique	Valide	Invalide
1-4	Réglage de capteur	Invalide	Valide
1-5	Ne pas modifier le réglage (doit toujours être activé).		
1-6	État d'établissement de liaison (état OCCUPÉ)	Hors-ligne ou mémoire tampon réceptrice pleine	Mémoire tampon réceptrice pleine
1-7	Fonction de transmission automatique d'état	Invalide	Valide
1-8	Ne pas modifier le réglage (doit toujours être activé).		

## Commutateur DIP 2

Commutateur	Fonction	ACTIVÉ	DÉSACTIVÉ
2-1	Toujours activé	Doit toujours être activé.	
2-2			
2-3			
2-4			



### Commutateur DIP 3

Commutateur	Fonction	ACTIVÉ	DÉSACTIVÉ
3-1	Débit en bauds	Voir tableau ci-dessous.	
3-2			
3-3	Longueur des données	8 bits	7 bits
3-4	Contrôle de parité	Désactivé	Activé
3-5	Parité	Impair	Pair
3-6	Établissement de liaison	DTR/DSR	XON/XOFF
3-7	Broche n°6 (DSR) signal de réinitialisation	Valide	Invalide
3-8	Broche n°25 (INIT) signal de réinitialisation	Valide	Invalide

Débit en bauds	Commutateur 3-1	Commutateur 3-2
4800BPS	DÉSACTIVÉ	ACTIVÉ
9600BPS	ACTIVÉ	ACTIVÉ
19200BPS	ACTIVÉ	DÉSACTIVÉ

Tous les réglages de commutateur DIP sont activés au départ de l'usine, à l'exception des broches 7 et 8.

## Caractéristiques

Méthode d'impression	Impression thermique en ligne
Résolution	203 ppp x 203 ppp (8 points/mm)
Direction d'impression	Unidirectionnel avec entraînement par friction
Largeur de la ligne d'impression	Max. 72 mm (576 points)
Caractères par ligne (défaut)	Police A: 48, police B: 64
Interlettrage (défaut)	0 point
Taille de caractère	Police A: 1,5 x 3,0 mm Police B: 1,125 x 3,0 mm
Jeu de caractères	Caractères alphanumériques: 95 Caractères internationaux: 32 Graphiques externes: 128 x 40 pages
Vitesse d'impression	100 mm/s maximum
Interlignage	3 mm/4 mm
Structure des caractères	Police A: 12 x 24 Police B: 9 x 24
Interface	RS232C / IEEE1284 / USB / Ethernet
Taille de mémoire tampon réceptrice	8 k / 64 octets
Fiabilité MCBF	60 millions de lignes (en se basant sur un taux d'impression moyen de 12,5 % et une épaisseur de papier de 65 µm)
Durée de service du massicot	0,5 million (papier d'épaisseur de 65 à 85 mm)
Température	Fonctionnement: 5 à 45 °C Stockage: -20 à 60 °C
Humidité	Fonctionnement: 10 à 90 % HR (sans condensation) Stockage: 10 à 90 % HR (sans condensation)
Dimensions	142 x 199 x 132 (l x p x h)
Poids	Environ 1,4 kg

## Options

- (1) Kit d'installation murale (WB-T600)
- (2) Kit de stand vertical (VS-T600)
- (3) Interface USB (IFBD-HU04)
- (4) Interface parallèle (IFBD-HC04)
- (5) Interface de port série avec connecteur à 25 broches (IFBD-HD04)
- (6) Interface de port série avec connecteur à 9 broches (IFBD-HN04)
- (7) Interface Ethernet (IFBD-HE04)

Pour obtenir les informations les plus récentes au sujet des pilotes et des logiciels utilitaires, veuillez consulter l'adresse URL [http://www.star-micronics.co.jp/service/frame\\_sp\\_spr\\_e.htm](http://www.star-micronics.co.jp/service/frame_sp_spr_e.htm).



*THERMALDRUCKER*  
**BAUREIHE TSP600**  
***BEDIENUNGSANLEITUNG***



**Federal Communications Commission  
Erklärung zur elektromagnetischen Störungssicherheit**

Dieses Gerät wurde typengeprüft und entspricht den Vorschriften nach Klasse A für digitale Geräte, Teil 15 der US-amerikanischen FCC-Vorschrift. Diese Störgrenzen sollen ausreichenden Schutz gegen elektromagnetische Störungen bei Betrieb in gewerblichen Umgebungen bieten. Das Gerät erzeugt, arbeitet mit und verbreitet elektromagnetische Wellen und kann bei unsachgemäßem Betrieb Störungen im Funkverkehr verursachen.

Bei Betrieb dieses Geräts in Wohngebieten können elektromagnetische Störungen verursacht werden, die der Anwender auf eigene Kosten korrigieren muss.

Zur Erfüllung der US-amerikanischen Vorschriften zur Störungssicherheit ist für dieses Gerät ein abgeschirmtes Kabel erforderlich.

*Diese Erklärung gilt nur für Drucker, die in den USA vermarktet werden.*

**Erklärung der kanadischen Kommunikationsbehörde  
Richtlinien zur Störungssicherheit**

Dieses digitale Gerät überschreitet nicht die Grenzen der Klasse A für Funkstörungen von Digitalgeräten, wie in den Richtlinien zur Funkstörungssicherheit der kanadischen Kommunikationsbehörde festgelegt.

*Die obige Erklärung gilt nur für Drucker, die in Kanada vermarktet werden.*

**CE  
Konformitätserklärung des Herstellers**

**Direktive des EG-Rats 89/336/EEC vom 3. Mai 1989**

Dieses Produkt, konstruiert und hergestellt entsprechend den internationalen Normen EN 61000-6-3/10.2001 und EN 55024/09.98 entspricht den Vorschriften der Direktive für elektromagnetische Verträglichkeit der Europäischen Gemeinschaft, Stand Mai 1989.

**Direktive des EG-Rats 73/23/EEC und 93/68/EEC vom 22. Juni 1993**

Dieses Produkt, konstruiert und hergestellt entsprechend den internationalen Normen EN 60950 entspricht den Vorschriften der Direktive für Niederspannungen der Europäischen Gemeinschaft, Stand Juli 1993.

*Die obigen Feststellungen gelten für Drucker, die in der EU vertrieben werden.*

**Eingetragene Warenzeichen**

**TSP600:** Star Micronics Co., Ltd.

**ESC/POS:** Seiko Epson Corporation

**Hinweis**

- Alle Rechte vorbehalten. Kein Teil dieses Handbuches darf in irgendeiner Form ohne ausdrückliche Genehmigung der Firma STAR reproduziert werden.
- Änderungen jederzeit ohne Angabe von Gründen möglich.
- Bei der Zusammenstellung von Texten und Abbildungen wurde mit größter Sorgfalt vorgegangen. Trotzdem können Fehler nicht vollständig ausgeschlossen werden. Für Hinweise auf eventuell vorgefundene Fehler ist der Herausgeber dankbar.
- Die Firma STAR kann keine Verantwortung für Fehler in diesem Handbuch und eventuell daraus entstehende Folgen verantwortlich gemacht werden.

© Copyright 2001 Star Micronics Co., LTD.

## Sicherheitsinformation

---

**Wichtig!**

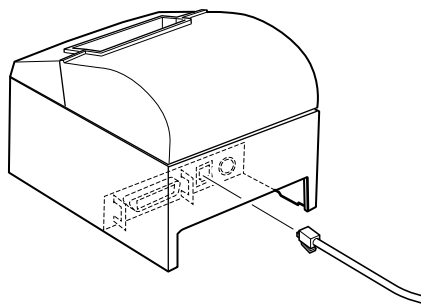
*Vor dem Anschließen der Kabel sicherstellen, daß der Drucker ausgeschaltet und vom Netz getrennt ist.*

---

**Wichtig!**

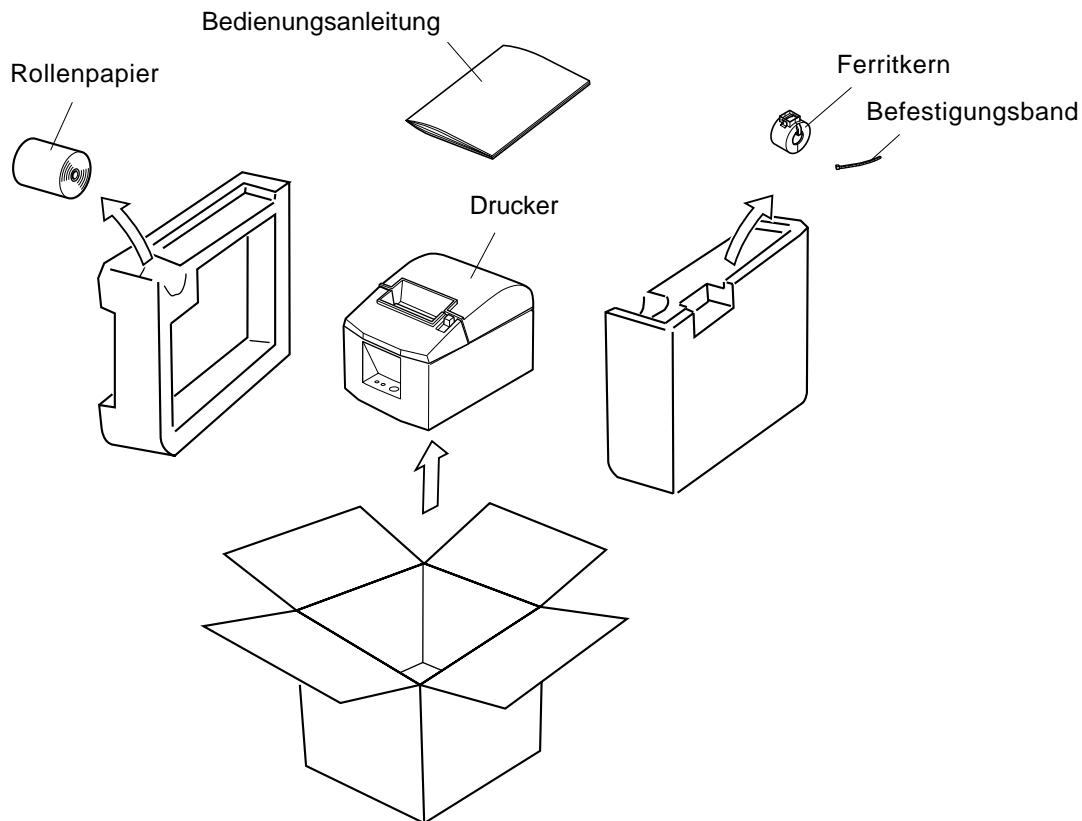
*Nicht eine Telefonleitung an die Peripheriebuchse anschließen. Wenn dies geschieht, besteht die Gefahr von Schäden am Drucker. Aus Sicherheitsgründen außerdem nicht Verdrahtung an die Peripheriebuchse anschließen, wenn die Möglichkeit besteht, daß zu starke Spannung anliegt.*

---



## Auspacken

- ✓ Drucker
- ✓ Bedienungsanleitung
- ✓ Rollenpapier
- ✓ Ferritkern(Nur beim Parallel-Schnittschnelle-Modell)
- ✓ Befestigungsband(Nur beim Parallel-Schnittschnelle-Modell)



## Wahl eines Aufstellungsorts für den Drucker

Bevor Sie den Drucker auspacken, sollten Sie einige Minuten damit verbringen, einen geeigneten Aufstellungsort auszusuchen. Denken Sie dabei an die folgenden Punkte:

- ✓ Den Drucker auf einem flachen, aber festen Untergrund aufstellen, wo keine Vibrationen vorhanden sind.
- ✓ Die verwendete Steckdose soll in der Nähe und frei zugänglich sein.
- ✓ Sicherstellen, daß der Drucker nahe genug am Computer ist, um die Geräte mit dem Druckerkabel verbinden zu können.
- ✓ Sicherstellen, daß der Drucker vor direktem Sonnenlicht geschützt ist.
- ✓ Sicherstellen, daß der Drucker ausreichend weit von Heizkörpern entfernt steht.
- ✓ Dafür sorgen, daß die Umgebung des Druckers sauber, trocken und staubfrei ist.
- ✓ Sicherstellen, daß der Drucker an eine einwandfreie Stromzufuhr angeschlossen ist. Er sollte nicht an Steckdosen angeschlossen werden, an denen bereits Geräte mit möglichen Netzstörungen wie Kopierer, Kühlschränke u.a. angeschlossen sind.
- ✓ Den Drucker nicht an Orten mit hoher Luftfeuchtigkeit aufstellen.

## Verbrauchsteile

Wenn die Verbrauchsteile verbraucht sind, besorgen Sie Ersatz entsprechend der unten gezeigten Tabelle.

Verwendung von Verbrauchsteilen oder Netzteilen, die nicht den unten aufgeführten Beschreibungen entsprechend, kann zu Schäden am Drucker, Bränden oder elektrischen Schlägen führen.

### (1) Rollenpapierbeschreibung

Thermopapier

Dicke: 65~85  $\mu\text{m}$

Breite: 79,5 $\pm$ 0,5 mm (57,5 $\pm$ 0,5 mm wenn der optionale Papierrollen halter verwendet wird)

Rollen-Außendurchmesser:  $\varnothing$ 90 mm oder weniger

Kern Außen/Innen-Durchmesser

<b>Papierdicke</b>	<b>Kern außen</b>	<b>Kern innen</b>
65~85 $\mu\text{m}$	$\varnothing$ 18 $\pm$ 1 mm	$\varnothing$ 12 $\pm$ 1 mm

Druckfläche: Äußere Papierkante

Behandlung der Papierendkante: Nicht Paste oder Kleber zum Befestigen von Papierrolle oder Kern verwenden.

Nicht die Papierendkante falten.

### (2) Empfohlenes Papier

Mitsubishi Paper Mills Ltd.

P220AG (Normalpapier), 65  $\mu\text{m}$  (Dicke)

HP220A (Papier für hochstabile Bilder), 65  $\mu\text{m}$  (Dicke)

HP220AB-1 (Papier für hochstabile Bilder), 75  $\mu\text{m}$  (Dicke)

P220AB (Normalpapier, Kartenticket), 85  $\mu\text{m}$  (Dicke)

PB670 (Bicolor-Papier: Rot & Schwarz), 75  $\mu\text{m}$  (Dicke)

PB770 (Bicolor-Papier: Blau & Schwarz), 75  $\mu\text{m}$  (Dicke)

Oji Paper Co., Ltd.

PD150R (Normalpapier), 75  $\mu\text{m}$  (Dicke)

PD160R (Papier für hochstabile Bilder), 65/75  $\mu\text{m}$  (Dicke)

PD750R (Bicolor-Papier: Rot & Schwarz), 75  $\mu\text{m}$  (Dicke)

PD700R (Bicolor-Papier: Blau & Schwarz), 75  $\mu\text{m}$  (Dicke)

Nippon Paper Industries

TF50KS-E2C (Normalpapier), 65  $\mu\text{m}$  (Dicke)

Kanzaki Specialty Papers Inc. (KSP)

P320RB (Bicolor-Papier: Rot & Schwarz), 65  $\mu\text{m}$  (Dicke)

P320BB (Bicolor-Papier: Blau & Schwarz), 65  $\mu\text{m}$  (Dicke)

Je nach Typ und Stärke des Papiers kann es erforderlich sein, die Einstellungen für die Druckintensität zu ändern. Zum Ändern der Intensitätseinstellung den Druckintensität-Befehle <ESC><RS>‘d’n verwenden. Einzelheiten siehe Programmieranleitung.

## Anschließen des optionalen Netzteils

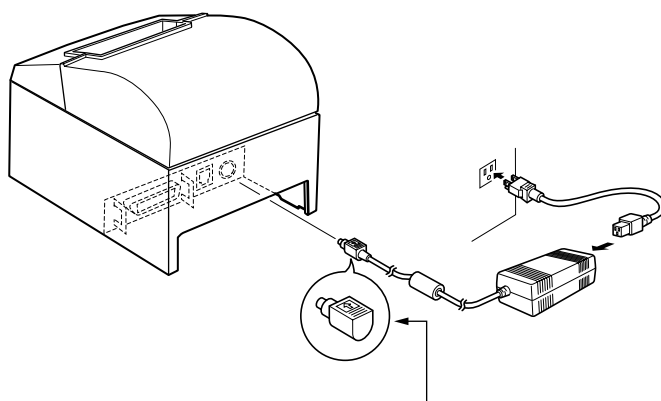
**Hinweis:** Vor dem Anschließen/Abtrennen des Netzteils stellen Sie sicher, daß der Drucker und alle angeschlossenen Gerät ausgeschaltet sind. Außerdem sollte der Netzstecker abgezogen sein.

(1) Schließen Sie das Netzteil an das Netzkabel an.

**Hinweis:** Verwenden Sie nur das vorgesehene Netzteil und Netzkabel.

(2) Das Netzteil am Stecker des Druckers anschließen.

(3) Stecken Sie den Netzstecker des Netzteils in eine Steckdose ein.

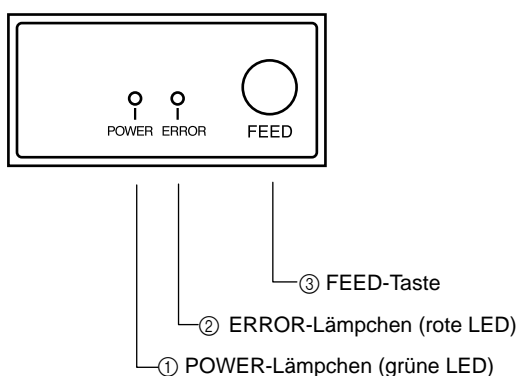


### **Wichtig!**

Beim Abziehen des Kabels immer am Stecker ziehen und nicht am Kabel. Durch das Lösen der Verriegelung wird das Abziehen des Steckers leicht möglich.

Wenn stark am Kabel selber gezogen wird, kann der Stecker beschädigt werden.

## Bedienfeld



① POWER-Lämpchen (grüne LED)

Leuchtet in eingeschaltetem Zustand

② ERROR-Lämpchen (rote LED)

Zeigt in Kombination mit dem POWER-Lämpchen verschiedene Fehlerzustände an.

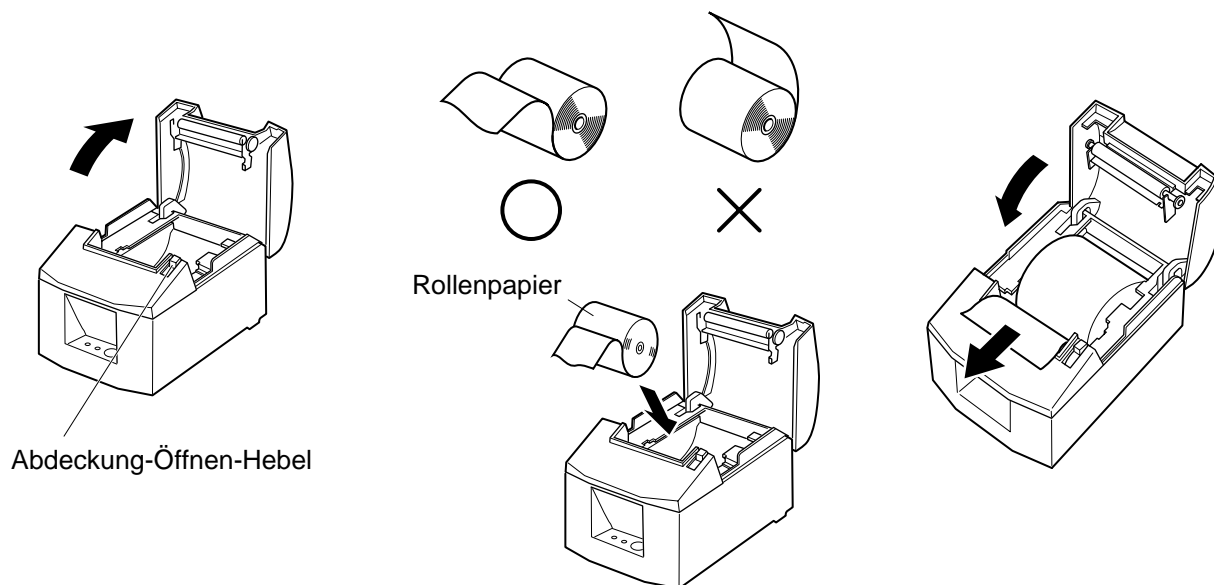
③ FEED-Taste

Die FEED-Taste drücken, um das Rollenpapier vorzutransportieren.

## Einlegen der Papierrolle

Immer Rollenpapier verwenden, das zu den technischen Daten des Druckers paßt.

Bei Verwendung einer Papierrolle mit einer Breite von 57,5 mm den Papierrollenhalter entfernen. Den Abdeckung-Öffnen-Hebel drücken, und die Druckerabdeckung öffnen.



Unter Beachtung der richtigen Einsetzrichtung der Rolle die Papierrolle in die Vertiefung legen und die Vorderkante des Papiers nach vorne ziehen.

## Beheben von Papierstau

Wenn ein Papierstau auftritt, beheben Sie ihn wie folgt.

(1) Stellen Sie den Netzschalter auf Aus, um den Drucker auszuschalten.

(2) Ziehen Sie den Hebel nach vorne, um die Druckerabdeckung zu öffnen.

Wenn die Druckerabdeckung sich bei Modellen mit automatischer Abschneideeinheit nicht öffnet, bedeutet dies, daß die automatische Abschneideeinheit nicht in Grundstellung ist. In diesem Fall die automatische Abschneideeinheit entsprechend den im nächsten Abschnitt gegebenen Anweisungen auf Grundstellung zurückstellen. Dann die Druckerabdeckung öffnen, nachdem der Papierstau behoben ist.

(3) Entfernen Sie das gestaute Papier.

**Hinweis:** Take care not to damage the printer when removing the jammed paper.

Since it is easy to damage the thermal head in particular, take care not to touch it.

(4) Stellen Sie sicher, daß das Papier gerade ausgerichtet ist, und schließen Sie die Druckerabdeckung vorsichtig.

**Hinweis 1:** Make sure that the paper is positioned straight. If the printer cover is closed with the paper skewed, a paper jam may result.

**Hinweis 2:** Lock the printer cover by pressing down on the sides. Do not try to close it by pressing down on the center. The cover may not lock properly.

(5) Stellen Sie den Netzschalter in Ein-Stellung, um den Drucker einzuschalten. Stellen Sie sicher, daß die ERROR-LED nicht leuchtet.

**Hinweis:** Während die ERROR-LED leuchtet, akzeptiert der Drucker keine Befehle wie Druckbefehl; stellen Sie deshalb sicher, daß die Abdeckung richtig geschlossen ist.

## Freigeben eines gesperrten Schneidmessers (Nur Auto-Schneidwerkmodell)

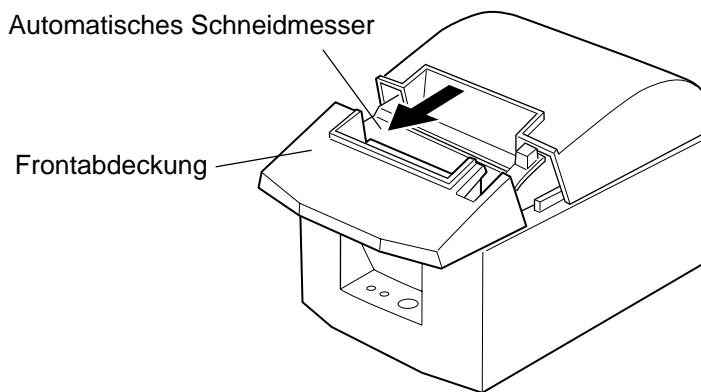
Wenn das automatische Schneidmesser sperrt oder das Papier nicht schneidet, wie folgt verfahren.

### **Achtung:**

*Da Arbeiten am Schneidmesser gefährlich sein können, immer zuerst den Drucker ausschalten.*

- (1) Den Netzschalter auf Aus (OFF) stellen, um den Drucker auszuschalten.
- (2) Die Frontabdeckung abschieben, um das Schneidmesser freizulegen.
- (3) Gestautes Papier entfernen.

**Hinweis:** Darauf achten, nicht den Drucker nicht beim Entfernen von gestautem Papier zu beschädigen. Da der Thermalkopf besonders empfindlich ist, darauf achten, ihn nicht zu berühren.

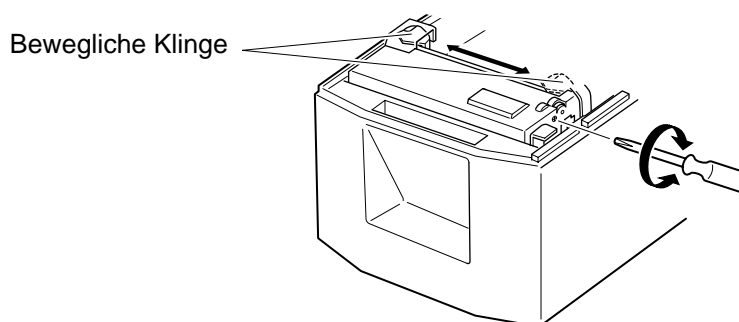


- (4) Wenn die bewegliche Klinge des Schneidmessers hervorsteht, mit einem Kreuzschlitzschraubenzieher die Kreuzschlitzschraube drehen, und die bewegliche Klinge in Grundstellung zurückstellen. Wenn das Prüfenster vollständig weiß ist, ist die bewegliche Klinge in Grundstellung.

**Hinweis 1:** Nicht starken Druck auf die bewegliche Klinge ausüben.

**Hinweis 2:** Wenn die bewegliche Klinge zu sehr hervorsteht, kann die Druckerabdeckung nicht geöffnet werden. Wenn versucht wird, die Abdeckung zu öffnen, kann das Schneidmesser beschädigt werden.

- (5) Die Druckerabdeckung öffnen, gestautes Papier entfernen, und dann die Papierrolle wieder einsetzen.
- (6) Die Frontabdeckung wieder einsetzen, und den Netzschalter auch Ein (ON) stellen.



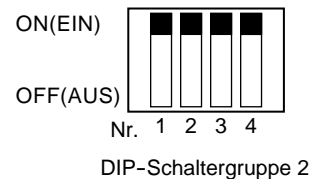
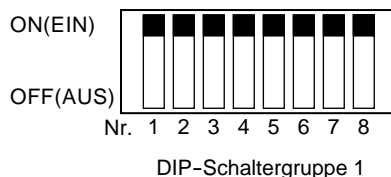
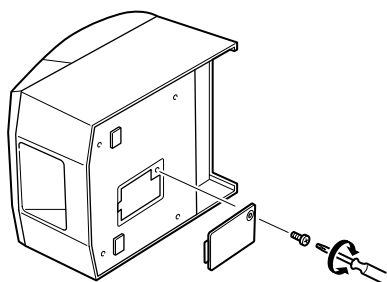
## Reinigen des Thermalkopfes

Zum Entfernen von schwärzlichem Staub auf der Oberfläche des Thermalkopfes diesen mit Isopropylalkohol (IPA) abwischen.

**Hinweis:** Der Thermalkopf läßt sich leicht beschädigen. Zum Abwischen immer einen sehr weichen Lappen verwenden und sicherstellen, daß er nicht zerkratzt wird.



# DIP-Schalter-Einstellungen - Parallelschnittstellentyp



## DIP-Schaltergruppe 1

Schalter 1-1	Befehlsemulation
ON(EIN)	Star-Modus
OFF(AUS)	ESC/POS-Modus

Alle werkseitigen Einstellungen für DIP-Schalter am Auto-Schneidwerkmodell sind auf Ein geschaltet. Schalter 1-3 am Abreißkantenmodell sind auf Aus geschaltet, und alle anderen auf Ein.

### (1) Star-Modus

Schalter	Funktion	ON(EIN)	OFF(AUS)
1-1	Befehlsemulation	Immer ON(EIN)	
1-2	Soll nicht geändert werden (soll auf ON stehen).		
1-3	Auto-Schneidwerk	Gültig	Ungültig
1-4	Sensor-Einstellung	Ungültig	Gültig
1-5	Pin Nr. 31 (INIT) Reset-Signal	Gültig	Ungültig
1-6	Handshaking-Bedingungen (Bedingungen für BUSY)	Offline oder Empfangspuffer voll	Empfangspuffer voll
1-7	Automatische Statusrückmeldungsfunktion	Ungültig	Gültig
1-8	Soll nicht geändert werden (soll auf ON stehen).		

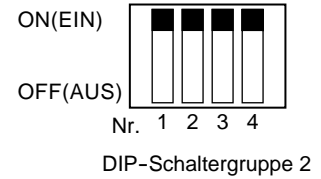
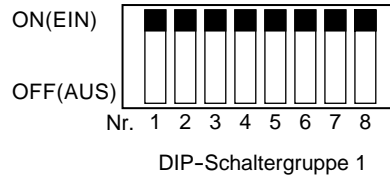
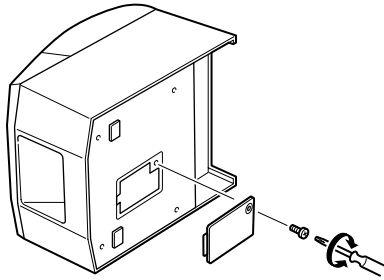
### (2) ESC/POS-Modus

Schalter	Funktion	ON(EIN)	OFF(AUS)
1-1	Befehlsemulation	Immer OFF(AUS)	
1-2	Grafik-Einstellung	203 DPI	180 DPI
1-3	Auto-Schneidwerk	Gültig	Ungültig
1-4	Sensor-Einstellung	Ungültig	Gültig
1-5	Pin Nr. 31 (INIT) Reset-Signal	Gültig	Ungültig
1-6	Handshaking-Bedingungen (Bedingungen für BUSY)	Offline oder Empfangspuffer voll	Empfangspuffer voll
1-7	Automatische Statusrückmeldungsfunktion	Ungültig	Gültig
1-8	Soll nicht geändert werden (soll auf ON stehen).		

## DIP-Schaltergruppe 2

Schalter	Funktion	ON(EIN)	OFF(AUS)
2-1	Immer ON(EIN)	Soll auf ON stehen.	
2-2			
2-3			
2-4			

# DIP-Schalter-Einstellungen - Seriellschnittstellentyp



## DIP-Schaltergruppe 1

Schalter 1-1	Befehlsemulation
ON(EIN)	Star-Modus
OFF(AUS)	ESC/POS-Modus

Alle werkseitigen Einstellungen für DIP-Schalter am Auto-Schneidwerkmodell sind auf Ein geschaltet. Schalter 1-3 am Abreißkantenmodell sind auf Aus geschaltet, und alle anderen auf Ein.

### (1) Star-Modus

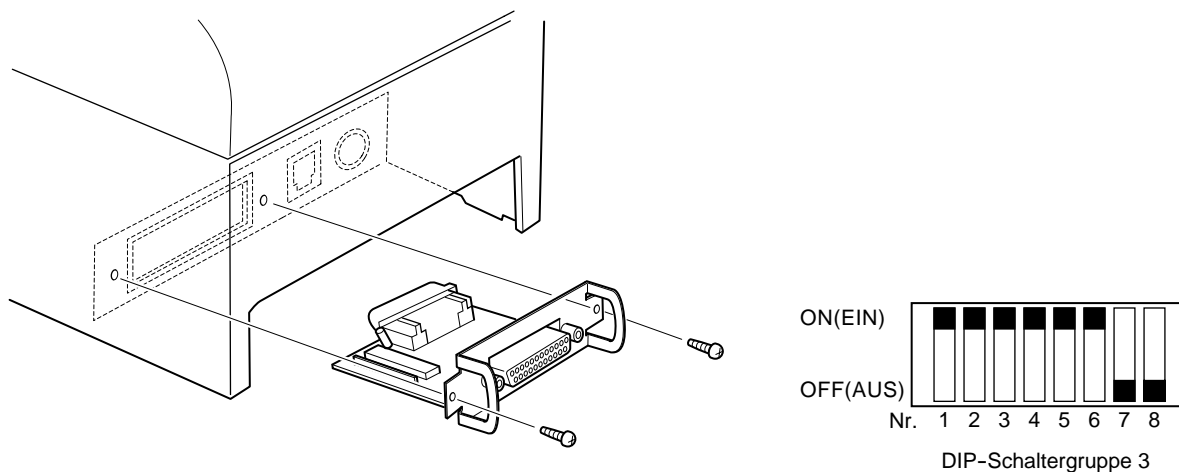
Schalter	Funktion	ON(EIN)	OFF(AUS)
1-1	Befehlsemulation	Immer ON(EIN)	
1-2	Soll nicht geändert werden (soll auf ON stehen).		
1-3	Auto-Schneidwerk	Gültig	Ungültig
1-4	Sensor-Einstellung	Ungültig	Gültig
1-5	Soll nicht geändert werden (soll auf ON stehen).		
1-6	Handshaking-Bedingungen (Bedingungen für BUSY)	Offline oder Empfangspuffer voll	Empfangspuffer voll
1-7	Automatische Statusrückmeldungsfunktion	Ungültig	Gültig
1-8	Soll nicht geändert werden (soll auf ON stehen).		

### (2) ESC/POS-Modus

Schalter	Funktion	ON(EIN)	OFF(AUS)
1-1	Befehlsemulation	Immer OFF(AUS)	
1-2	Grafik-Einstellung	203 DPI	180 DPI
1-3	Auto-Schneidwerk	Gültig	Ungültig
1-4	Sensor-Einstellung	Ungültig	Gültig
1-5	Soll nicht geändert werden (soll auf ON stehen).		
1-6	Handshaking-Bedingungen (Bedingungen für BUSY)	Offline oder Empfangspuffer voll	Empfangspuffer voll
1-7	Automatische Statusrückmeldungsfunktion	Ungültig	Gültig
1-8	Soll nicht geändert werden (soll auf ON stehen).		

## DIP-Schaltergruppe 2

Schalter	Funktion	ON(EIN)	OFF(AUS)
2-1	Immer ON(EIN)	Soll auf ON stehen.	
2-2			
2-3			
2-4			



### DIP-Schaltergruppe 3

Schalter	Funktion	ON(EIN)	OFF(AUS)
3-1	Baudrate	Siehe Tabelle unten	
3-2			
3-3	Datenlänge	8 Bit	7 Bit
3-4	Paritätsprüfung	Deaktiviert	Aktiviert
3-5	Parität	Ungerade	Gerade
3-6	Handshake	DTR/DSR	XON/XOFF
3-7	Pin Nr. 6 (DSR) Reset-Signal	Gültig	Ungültig
3-8	Pin Nr. 25 (INIT) Reset-Signal	Gültig	Ungültig

Baudrate	Schalter 3-1	Schalter 3-2
4800BPS	OFF(AUS)	ON(EIN)
9600BPS	ON(EIN)	ON(EIN)
19200BPS	ON(EIN)	OFF(AUS)

Die werkseitigen Einstellungen der DIP-Schalter sind ON, ausgenommen für Schalter 7 und 8.

## Technische Daten

Druckmethode	Thermal-Zeilendruck
Punktdichte	203 dpi x 203 dpi (8 Punkte/mm)
Druckrichtung	Unidirektional mit Friktionsvorschub
Druckbreite	Max. 72 mm (576 Punkte)
Zeichen pro Zeile (Standard)	Schriftart A: 48, Schriftart B: 64
Zeichenabstand (Standard)	0 Punkte
Zeichengröße	Schriftart A: 1,5 x 3,0 mm Schriftart B: 1,125 x 3,0 mm
Zeichensatz	Alphanumerische Zeichen: 95 Internationale Zeichen: 32 Externe Grafiken: 128 x 40 Seiten
Druckgeschwindigkeit	Max. 100 mm/s
Zeilenabstand	3 mm / 4 mm
Zeichenstruktur	Schriftart A: 12 x 24 Schriftart B: 9 x 24
Schnittstelle	RS232C / IEEE1284 / USB / Ethernet
Empfangspuffergröße	8K / 64 Byte
MCBF	60 Millionen Zeilen (Basierend auf einer durchschnittlichen Druckrate von 12,5% bei Papierdicke im Bereich 65 µm)
Messer-Lebensdauer	0,5 Million (65-85 µm dickes Papier)
Temperatur	Betrieb: 5 bis 45 °C Lagerung: -20 bis 60 °C
Feuchtigkeit	Betrieb: 10 bis 90% Luftfeuchtigkeit (ohne Kondensation) Lagerung: 10 bis 90% Luftfeuchtigkeit (ohne Kondensation)
Abmessungen	142 x 199 x 132 (B x T x H mm)
Gewicht	Ca. 1,4 kg

## Optionen

- (1) Wandbefestigungssatz (WB-T600)
- (2) Vertikaler Ständersatz (VS-T600)
- (3) USB-Schnittstelleneinheit (IFBD-HU04)
- (4) Parallel-Schnittstelleneinheit (IFBD-HC04)
- (5) 25-Pin RS-232C Schnittstelleneinheit (IFBD-HD04)
- (6) 9-Pin RS-232C Schnittstelleneinheit (IFBD-HN04)
- (7) Ethernet-Schnittstelleneinheit (IFBD-HE04)

Bitte gehen Sie zur folgenden URL

[http://www.star-micronics.co.jp/service/frame\\_sp\\_spr\\_e.htm](http://www.star-micronics.co.jp/service/frame_sp_spr_e.htm)

für Informationen über die neuesten Druckertreiber und Hilfsprogramme.

*STAMPANTE TERMICA*  
**SERIE TSP600**  
***MANUALE DI ISTRUZIONI***



**Commissione Federale sulle Comunicazioni**  
**Disposizione sulle Interferenze da Frequenze Radio**

Questo apparecchio è stato sottoposto a controlli ed è stato quindi riconosciuto operare entro i limiti relativi ai dispositivi digitali in Classe A in conformità alla Parte 15 dei Regolamenti FCC. I suddetti limiti sono intesi a fornire una ragionevole protezione contro le interferenze nocive qualora l'apparecchio sia impiegato in ambienti commerciali. Questo apparecchio genera, utilizza e può irradiare energia in radio frequenza e, qualora non installato ed utilizzato in accordo al proprio manuale di istruzione, può causare interferenze nocive alle comunicazioni radio.

L'utilizzo di questo apparecchio in aree residenziali può causare interferenze nocive, nel cui caso l'utilizzatore è tenuto a rimediare a proprie spese.

Al fine della conformità allo Standard Federale sulle Interferenze, questo apparecchio richiede l'utilizzo di un cavo schermato.

*La presente disposizione trova applicazione solamente per le stampanti vendute negli U.S.A.*

**Disposizione del Dipartimento Canadese delle Comunicazioni**  
**Regolamenti sulle Interferenze Radio**

Questo apparecchio digitale non eccede i limiti in Classe A relativi ai disturbi causati dalle emissioni radio provenienti dagli apparecchi digitali, così come esposto nei Regolamenti sulle Interferenze Radio del Dipartimento Canadese delle Comunicazioni.

*La suddetta disposizione trova applicazione solamente per le stampanti vendute in Canada.*

**CE**  
**Dichiarazione di conformità del fabbricante**

***Direttiva del Consiglio CE 89/336/CEE del 3 maggio 1989***

Questo prodotto è stato progettato e fabbricato secondo gli Standard Internazionali EN 61000-6-3/10.2001 e EN 55024/09.98 seguendo quanto previsto dalla Direttiva sulla Compatibilità Elettromagnetica della Comunità Europea del maggio 1989.

***Direttiva del Consiglio CE 73/23/CEE e 93/68/CEE del 22 luglio 1993***

Questo prodotto è stato progettato e fabbricato secondo gli Standard Internazionali EN 60950 seguendo quanto previsto dalla Direttiva sulla Bassa Tensione della Comunità Europea del luglio 1993.

*La dichiarazione di cui sopra è applicabile solo ai prodotti in vendita nell'UE.*

***Riconoscimento di marchio registrato***

**TSP600:** Star Micronics Co., Ltd.

**ESC/POS:** Seiko Epson Corporation

***Avvertenze***

- Tutti i diritti riservati. La riproduzione di qualsiasi parte di questo manuale in qualsiasi forma o mezzo, senza il diretto consenso della STAR, è severamente proibita.
- Le informazioni contenute nel presente manuale sono soggette a modifiche senza preavviso.
- Malgrado siano state prese tutte le precauzioni per garantire l'accuratezza delle informazioni contenute nel presente manuale al momento della stampa, la STAR sarà ben lieta di ricevere segnalazioni degli eventuali errori riscontrati.
- Nonostante quanto citato sopra, la STAR non si assume nessuna responsabilità per eventuali errori contenuti nel presente manuale.

© Copyright 2001 Star Micronics Co., LTD.

## Informazioni relative alla sicurezza

---

**Importante!**

*Assicurarsi che la stampante sia spenta e scollegata dalla presa di corrente e che il computer sia spento prima di eseguire il collegamento.*

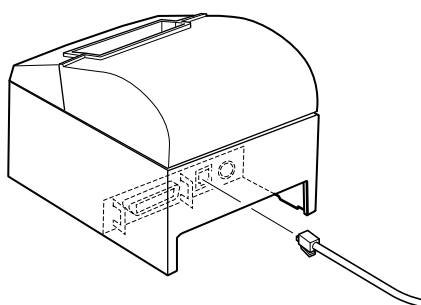
---

**Importante!**

*Non collegare una linea telefonica al connettore di controllo esterno. Altrimenti si potrebbero avere danni alla stampante.*

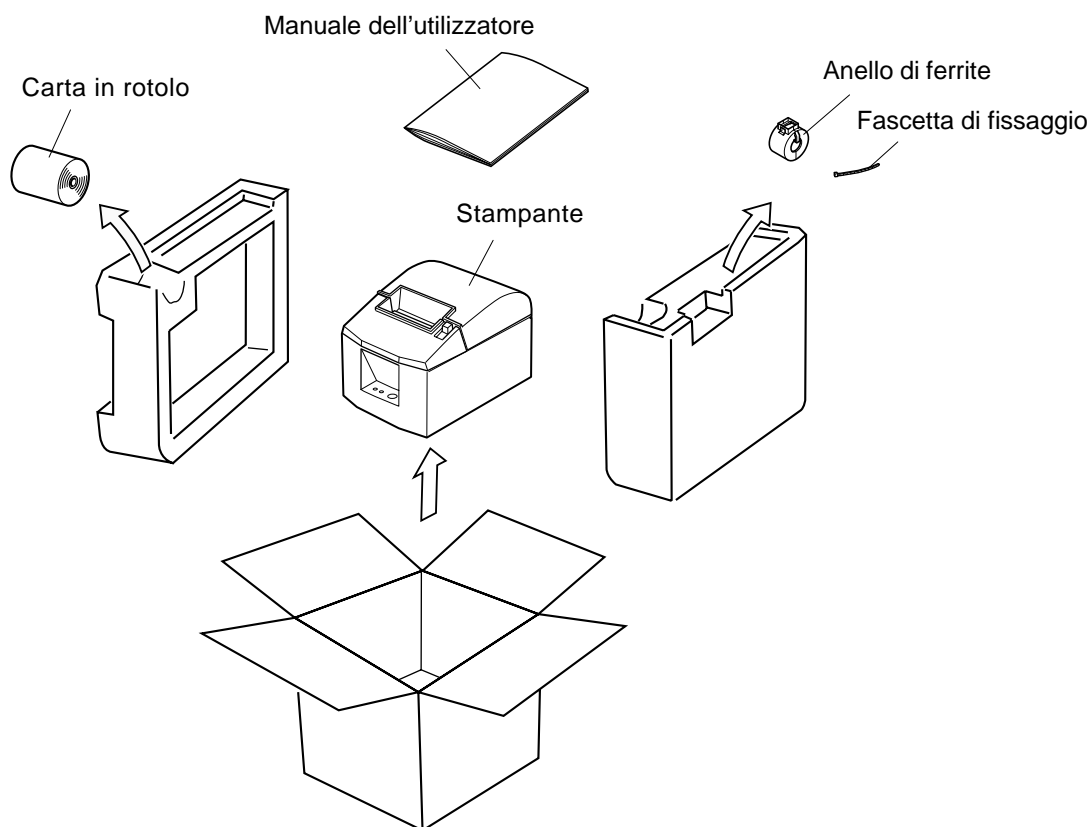
*Inoltre, per ragioni di sicurezza, non collegare fili al connettore di controllo esterno, perché se ci sono cambiamenti potrebbero condurre una tensione eccessiva.*

---



## Disimballaggio

- ✓ Stampante
- ✓ Manuale dell'utente
- ✓ Carta in rotolo
- ✓ Anello di ferrite (solo modello a interfaccia parallelo)
- ✓ Fascetta di fissaggio (solo modello a interfaccia parallelo)



## Scelta di un luogo per la stampante

Prima di disimballare la stampante, decidere dove si desidera installarla. Tenere presenti i seguenti punti.

- ✓ Scegliere una superficie stabile e in piano, dove la stampante non sia esposta a vibrazioni.
- ✓ La presa di corrente che si intende usare per la stampante deve essere vicina e libera da ostacoli.
- ✓ La stampante deve essere abbastanza vicina al computer da permettere il collegamento tra i due.
- ✓ Assicurarsi che la stampante non sia esposta alla luce solare diretta.
- ✓ Assicurarsi che la stampante sia lontana da caloriferi e altre fonti di calore elevato.
- ✓ Assicurarsi che l'area circostante sia pulita, asciutta e priva di polvere.
- ✓ Assicurarsi che la stampante sia collegata ad una presa di corrente affidabile. Non deve essere la stessa presa di corrente di copiatrici, frigoriferi e altre apparecchiature che causano picchi di corrente.
- ✓ Assicurarsi che la stanza dove si usa la stampante non sia troppo umida.



## Parti soggette a consumo

Quando le parti soggette a consumo si sono esaurite, usare quelle specificate nella seguente tabella. Assicurarsi di usare il trasformatore CA specificato nella tabella.

L'uso di parti soggette a consumo o di un trasformatore CA diversi da quanto specificato nella tabella può causare danni alla stampante, incendi o scosse elettriche.

### (1) Carta in rotolo specifiche

Carta termica

Spessore: 65~85  $\mu\text{m}$

Larghezza: 79,5 $\pm$ 0,5 mm (57,5 $\pm$ 0,5 mm quando si usa il supporto per rotolo di carta opzionale)

Diametro esterno rullo:  $\phi$ 90 mm o meno

Diametro interno/esterno nucleo

**Spessore carta**

65~85  $\mu\text{m}$

**Nucleo: esterno**

$\phi$ 18 $\pm$ 1 mm

**Nucleo: interno**

$\phi$ 12 $\pm$ 1 mm

Superficie stampata: Bordo esterno del rotolo

Maneggio dell'estremità finale: Non usare colla o adesivi per fissare la carta del rotolo o il suo nucleo.

Non piegare l'estremità finale della carta.

### (2) Carta consigliata

Mitsubishi Paper Mills Limited

P220AG (carta di tipo normale), 65  $\mu\text{m}$  (spessore)

HP220A (carta a stabilità immagine alta), 65  $\mu\text{m}$  (spessore)

HP220AB-1 (carta a stabilità immagine alta), 75  $\mu\text{m}$  (spessore)

P220AB (carta di tipo normale, biglietti scheda), 85  $\mu\text{m}$  (spessore)

PB670 (carta bicolore: rosso e nero), 75  $\mu\text{m}$  (spessore)

PB770 (carta bicolore: blu e nero), 75  $\mu\text{m}$  (spessore)

Oji Paper Co., Ltd.

PD150R (carta di tipo normale), 75  $\mu\text{m}$  (spessore)

PD160R (carta a stabilità immagine alta), 65/75  $\mu\text{m}$  (spessore)

PD750R (carta bicolore: rosso e nero), 75  $\mu\text{m}$  (spessore)

PD700R (carta bicolore: blu e nero), 75  $\mu\text{m}$  (spessore)

Nippon Paper Industries

TF50KS-E2C (carta di tipo normale), 65  $\mu\text{m}$  (spessore)

Kanzaki Specialty Papers Inc. (KSP)

P320RB (carta bicolore: rosso e nero), 65  $\mu\text{m}$  (spessore)

P320BB (carta bicolore: blu e nero), 65  $\mu\text{m}$  (spessore)

A seconda del tipo e dello spessore della carta, può essere necessario cambiare le impostazioni per la densità di stampa. Per cambiare le impostazioni di densità, usare il comando di impostazione densità di stampa <ESC><RS>'d'n. Fare riferimento al manuale del programmatore separato per dettagli.

## Collegamento del trasformatore CA opzionale

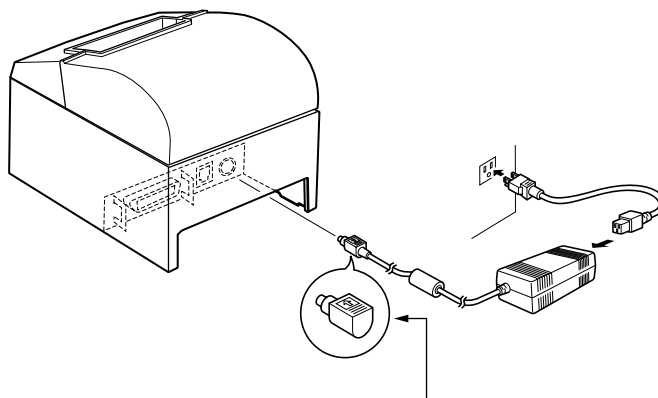
**Nota:** Prima di collegare/scollegare il trasformatore CA, assicurarsi che la stampante e tutti i dispositivi collegati alla stampante siano spenti. Inoltre assicurarsi che la spina del cavo di alimentazione sia scollegata dalla presa di corrente.

(1) Collegare il trasformatore CA al cavo di alimentazione.

**Nota:** Usare solo il trasformatore CA e cavo di alimentazione standard.

(2) Collegare il trasformatore CA al connettore sulla stampante.

(3) Collegare la spina del cavo di alimentazione ad una presa di corrente.

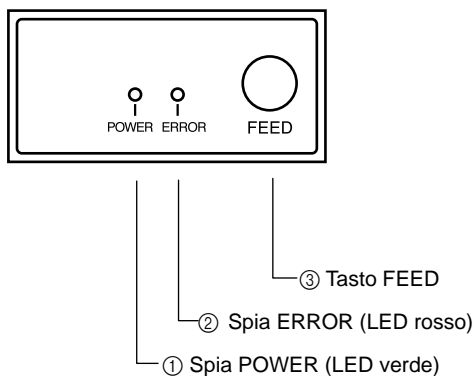


### **Importante!**

Quando si scollega il cavo, afferrare il connettore del cavo per tirare. Sbloccando il fermo è facile scollegare il connettore.

Se si tira il cavo con forza eccessiva si possono causare danni al connettore.

## Pannello di controllo



① Spia POWER (LED verde)

Si illumina quando l'unità è accesa.

② Spia ERROR (LED rosso)

Indica vari errori in combinazione con la spia POWER.

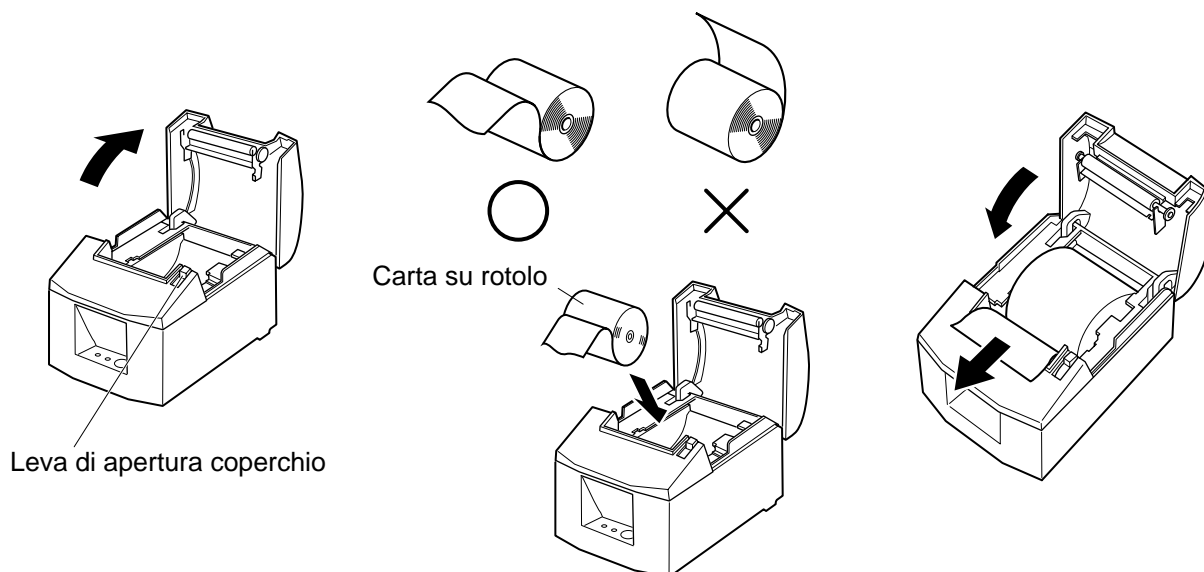
③ Tasto FEED

Premere il tasto FEED per far avanzare la carta su rotolo.

## Inserimento del rotolo di carta

Assicurarsi di usare carta su rotolo che corrisponde alle specifiche della stampante.

Quando si usa un rotolo di carta della larghezza di 57,5 mm, rimuovere il supporto del rotolo di carta. Spingere la leva di apertura coperchio e aprire il coperchio stampante.



Osservando l'orientamento del rotolo, inserire il rotolo di carta nel vano e tirare il bordo iniziale della carta verso di sé.

## Eliminazione degli inceppamenti della carta

Se si verifica un inceppamento della carta, eliminarlo come descritto di seguito.

(1) Regolare l'interruttore di alimentazione su OFF per spegnere la stampante.

(2) Tirare la leva verso di sé per aprire il coperchio stampante.

Se il coperchio stampante non si apre sui modelli dotati di taglierina automatica, vuol dire che la taglierina automatica non è nella posizione di riposo. In questo caso, riportare la taglierina automatica alla posizione di riposo seguendo le istruzioni fornite nella prossima sezione. Poi aprire il coperchio stampante dopo aver eliminato l'inceppamento carta.

(3) Rimuovere la carta inceppata.

**Nota:** Fare attenzione a non danneggiare la stampante quando si rimuove la carta inceppata. Poiché la testina di stampa in particolare viene danneggiata facilmente, fare attenzione a non toccarla.

(4) Collocare dritto il rotolo di carta e chiudere delicatamente il coperchio stampante.

**Nota 1:** Assicurarsi che la carta sia ben dritta. Se si chiude il coperchio stampante con la carta storta, si può verificare un inceppamento della carta.

**Nota 2:** Bloccare il coperchio stampante premendo in basso sui lati. Non tentare di chiuderlo premendo sul centro. Il coperchio potrebbe non bloccarsi correttamente.

(5) Regolare su ON l'interruttore di alimentazione per accendere la stampante. Assicurarsi che la spia ERROR non sia illuminata.

**Nota:** Mentre la spia ERROR è illuminata, la stampante non accetta alcun comando come il comando di stampa, per cui assicurarsi che il coperchio della stampante sia bloccato correttamente.

## Rilascio della taglierina bloccata (solo modello con taglierina automatica)

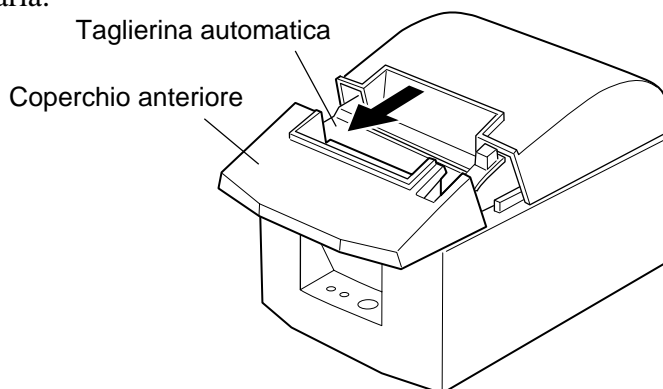
Se la taglierina automatica si blocca o non taglia la carta, procedere come segue.

### **Cautela:**

Poiché lavorare con la taglierina può essere pericoloso, non dimenticare di spegnere prima la stampante.

- (1)Regolare l'interruttore di alimentazione su OFF per spegnere la stampante.
- (2)Spostare il coperchio anteriore per scoprire la taglierina automatica.
- (3)Rimuovere eventuale carta inceppata.

**Nota:** Fare attenzione a non danneggiare la stampante durante la rimozione della carta inceppata. Poiché la testina di stampa termica è particolarmente sensibile, fare attenzione a non toccarla.

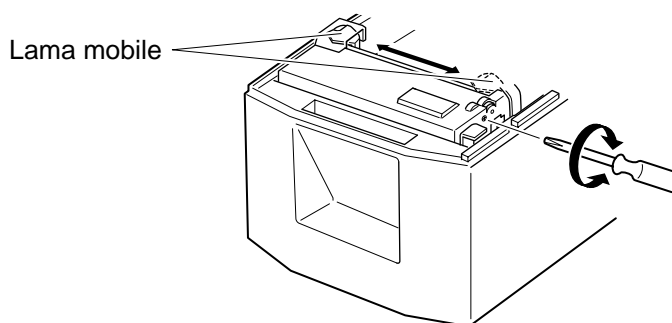


- (4)Se la lama mobile della taglierina sporge, usare un cacciavite Philips per girare la vite a testa Philips e riportare la lama mobile alla sua posizione di partenza. Quando la finestrella di controllo appare completamente bianca, la lama mobile è nella sua posizione di partenza.

**Nota 1:** Non applicare estrema pressione alla lama mobile.

**Nota 2:** Se la lama mobile sporge eccessivamente, non è possibile aprire il coperchio stampante. Se si tenta di aprire il coperchio stampante si può danneggiare la taglierina.

- (5)Aprire il coperchio stampante, rimuovere eventuale carta inceppata e quindi reinstallare il rotolo di carta.
- (6)Installare il coperchio anteriore e quindi regolare l'interruttore di alimentazione su ON.

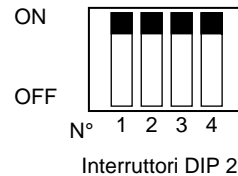
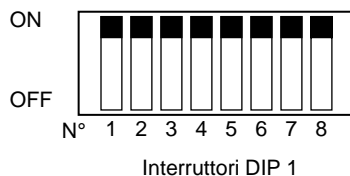
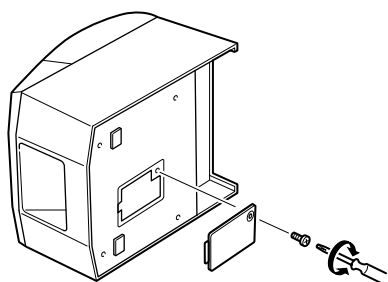


## Pulizia della testina termica

Per rimuovere la polvere nerastra accumulata sulla superficie della testina di stampa, passarla con alcool isopropilico (IPA)

**Nota:** La testina termica si danneggia facilmente, per cui pulirla delicatamente con un panno morbido. Fare attenzione a non graffiarla durante la pulizia.

## Impostazioni dei interruttori DIP - Tipo interfaccia parallela



### Interruttori DIP 1

Interruttore 1-1	Emulazione comando
ON	Modo Star
OFF	Modo ESC/POS

Tutte le impostazioni di fabbrica per i interruttori DIP sul modello con taglierina automatica sono su ON. Sul modello con barra di strappo, i interruttore 1-3 sono su OFF e gli altri sono su ON.

#### (1) Modo Star

Interruttore	Funzione	ON	OFF
1-1	Emulazione comando	Sempre ON	
1-2	Non modificare (deve sempre trovarsi in posizione ON)		
1-3	Taglierina automatica	Valido	Nulla
1-4	Regolazione sensore	Nulla	Valido
1-5	Segnale di reset contatto #31 (INIT)	Valido	Nulla
1-6	Condizioni di scambio di controllo (condizioni di BUSY)	Offline o buffer di ricezione pieno	Buffer di ricezione pieno
1-7	Funzione automatica di back up di stato	Nulla	Valido
1-8	Non modificare (deve sempre trovarsi in posizione ON)		

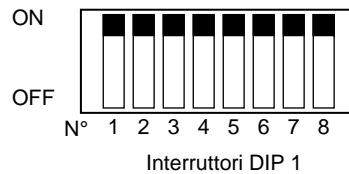
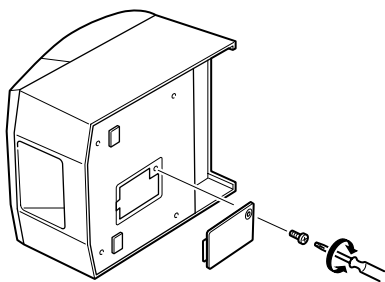
#### (2) Modo ESC/POS

Interruttore	Funzione	ON	OFF
1-1	Emulazione comando	Sempre OFF	
1-2	Regolazione grafica	203 DPI	180 DPI
1-3	Taglierina automatica	Valido	Nulla
1-4	Regolazione sensore	Nulla	Valido
1-5	Segnale di reset contatto #31 (INIT)	Valido	Nulla
1-6	Condizioni di scambio di controllo (condizioni di BUSY)	Offline o buffer di ricezione pieno	Buffer di ricezione pieno
1-7	Funzione automatica di back up di stato	Nulla	Valido
1-8	Non modificare (deve sempre trovarsi in posizione ON)		

### Interruttori DIP 2

Interruttore	Funzione	ON	OFF
2-1	Sempre ON	Deve sempre trovarsi in posizione ON.	
2-2			
2-3			
2-4			

# Impostazioni dei interruttori DIP - Tipo interfaccia seriale



## Interruttori DIP 1

Interruttore 1-1	Emulazione comando
ON	Modo Star
OFF	Modo ESC/POS

Tutte le impostazioni di fabbrica per i microinterruttori DIP sul modello con taglierina automatica sono su ON. Sul modello con barra di strappo, i microinterruttori 1-3 sono su OFF e gli altri sono su ON.

### (1) Modo Star

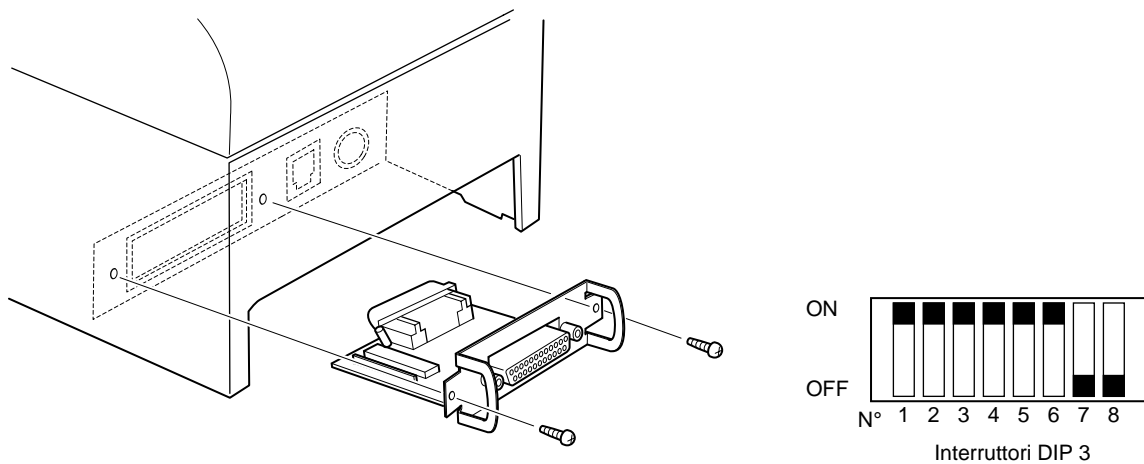
Interruttore	Funzione	ON	OFF
1-1	Emulazione comando	Sempre ON	
1-2	Non modificare (deve sempre trovarsi in posizione ON)		
1-3	Taglierina automatica	Valido	Nullo
1-4	Regolazione sensore	Nullo	Valido
1-5	Non modificare (deve sempre trovarsi in posizione ON)		
1-6	Condizioni di scambio di controllo (condizioni di BUSY)	Offline o buffer di ricezione pieno	Buffer di ricezione pieno
1-7	Funzione automatica di back up di stato	Nullo	Valido
1-8	Non modificare (deve sempre trovarsi in posizione ON)		

### (2) Modo ESC/POS

Interruttore	Funzione	ON	OFF
1-1	Emulazione comando	Sempre OFF	
1-2	Regolazione grafica	203 DPI	180 DPI
1-3	Taglierina automatica	Valido	Nullo
1-4	Regolazione sensore	Nullo	Valido
1-5	Non modificare (deve sempre trovarsi in posizione ON)		
1-6	Condizioni di scambio di controllo (condizioni di BUSY)	Offline o buffer di ricezione pieno	Buffer di ricezione pieno
1-7	Funzione automatica di back up di stato	Nullo	Valido
1-8	Non modificare (deve sempre trovarsi in posizione ON)		

## Interruttori DIP 2

Interruttore	Funzione	ON	OFF
2-1	Sempre ON	Deve sempre trovarsi in posizione ON.	
2-2			
2-3			
2-4			



### Interruttori DIP 3

Interruttore	Funzione	ON	OFF
3-1	Velocità di trasmissione	Vedere la tabella sotto	
3-2			
3-3	Lunghezza dato	8 bit	7 bit
3-4	Controllo di parità	Disabilitato	Abilitato
3-5	Parità	Dispari	Pari
3-6	Scambio	di	controllo
3-7	Segnale di reset piedino #6 (DSR)	Valido	Non valido
3-8	Segnale di reset piedino #25 (INIT)	Valido	Non valido

Velocità di trasmissione	Interruttore 3-1	Interruttore 3-2
4800BPS	OFF	ON
9600BPS	ON	ON
19200BPS	ON	OFF

Le impostazioni di fabbrica dei Interruttori DIP sono tutte ON (attivo), ad eccezione dei microinterruttori 7 ed 8.

## Caratteristiche tecniche

Metodo di stampa	Stampa termica a righe
Densità punti	203 dpi x 203 dpi (8 punti/mm)
Direzione di stampa	Unidirezionale con avanzamento a frizione
Larghezza di stampa	Massimo 72mm (576 punti)
Caratteri per riga (predefinita)	Font A: 48, Font B: 64
Spaziatura tra i caratteri (predefinita)	0 punti
Dimensione dei caratteri	Font A: 1,5 x 3,0 mm Font B: 1,125 x 3,0 mm
Set di caratteri	Caratteri alfanumerici: 95 Caratteri internazionali: 32 Grafica esterna: pagine da 128 x 40
Velocità di stampa	Massimo 100 mm/sec
Spaziatura tra le righe	3 mm / 4 mm
Struttura dei caratteri	Font A: 12 x 24 Font B: 9 x 24
Interfaccia	RS232C / IEEE1284 / USB / Ethernet
Dimensione buffer di ricezione	8K / 64 byte
MCBF	60 milioni di righe (basato sul tasso medio di stampa del 12,5% con spessore carta di 65 µm)
Durata della taglierina	0,5 milione di tagli (su carta di spessore da 65 a 85µm)
Temperatura	Esercizio: da 5 a 45 °C Conservazione: da -20 a 60 °C
Umidità	Esercizio: Dal 10 al 90% RH (non condensante) Conservazione: Dal 10 al 90% RH (non condensante)
Dimensioni	142 x 199 x 132 (L x P x A mm)
Peso	Circa 1,4 kg

## Opzioni

- (1) Set per montaggio a parete (WB-T600)
- (2) Set supporto verticale (VS-T600)
- (3) Scheda di interfaccia USB (IFBD-HU04)
- (4) Scheda di interfaccia parallela (IFBD-HC04)
- (5) Scheda di interfaccia seriale RS-232C da 25 contatti (IFBD-HD04)
- (6) Scheda di interfaccia seriale RS-232C da 9 contatti (IFBD-HN04)
- (7) Scheda di interfaccia Ethernet (IFBD-HE04)

Si prega di accedere al seguente URL

[http://www.star-micronics.co.jp/service/frame\\_sp\\_spr\\_e.htm](http://www.star-micronics.co.jp/service/frame_sp_spr_e.htm)

per ottenere gli aggiornamenti del driver e dei programmi di utilità.



***IMPRESORA TÉRMICA***

**SERIE TSP600**

***MANUAL DEL USUARIO***



**Comisión Federal de Comunicaciones  
Declaración de interferencias de  
radiofrecuencias**

Este equipo ha sido probado y se ha determinado que cumple con las limitaciones de un dispositivo digital de Clase A, con conformidad al Apartado 15 de la normativa de FCC. Estas limitaciones están diseñadas para proporcionar una protección razonable contra las interferencias perjudiciales en un entorno comercial. Este equipo genera, utiliza y puede irradiar energía de radiofrecuencia y, si no se instala y usa de acuerdo con el manual de instrucciones, puede provocar interferencias perjudiciales a las comunicaciones de radio. Es probable que la utilización de este equipo en una zona residencial provoque interferencias perjudiciales, en cuyo caso se pedirá al usuario que corrija la interferencia a su propio cargo.

Para cumplir con el Estándar federal de interferencias de ruido, este equipo necesita un cable blindado.

*Esta declaración se aplicará sólo a las impresoras comercializadas en los Estados Unidos.*

**Departamento Canadiense de Comunicaciones  
Declaración de interferencias  
de radiofrecuencias**

Este aparato digital no excede los límites de Clase A sobre emisiones de ruido desde un dispositivo digital, tal y como se establece en las Regulaciones de Interferencias de Radio del Departamento Canadiense de Comunicaciones.

Le présent appareil numérique n'émet pas de bruits radioélectriques dépassant les limites applicables aux appareils numériques de la classe A prescrites dans le Règlement sur le brouillage radioélectrique édicté par le ministère des Communications du Canada.

*La declaración anterior sólo se aplica a las impresoras comercializadas en Canadá.*

**CE  
Declaración de conformidad del fabricante**

***Directiva del Consejo de la CE 89/336/CEE de 3 de mayo de 1989***

Este producto se ha diseñado y fabricado de acuerdo con los Estándares Internacionales EN 61000-6-3/10.2001 y EN 55024/09.98, según lo estipulado en la Directiva de Compatibilidad Electromagnética de la Comunidad Europea desde mayo de 1989.

***Directiva del Consejo de la CE 73/23/CEE y 93/68/CEE del 22 de julio de 1993***

Este producto se ha diseñado y fabricado de acuerdo con los Estándares Internacionales EN 60950, según lo estipulado en la Directiva de Bajo Voltaje de la Comunidad Europea desde julio de 1993.

*La declaración anterior sólo se aplica a las impresoras comercializadas en la Unión Europea.*

***Reconocimiento de marcas***

**TSP600:** Star Micronics Co., Ltd.

**ESC/POS:** Seiko Epson Corporation

***Aviso***

↑ Reservados todos los derechos. Se prohíbe la reproducción total o parcial de este manual, por cualquier medio, sin el permiso expreso de STAR.

↑ El contenido de este manual está sujeto a cambios sin previo aviso.

↑ A pesar de los esfuerzos realizados por asegurar la precisión del contenido de este manual en el momento de la impresión, podrían detectarse errores. Si éste es el caso, STAR apreciaría enormemente le fueran comunicados.

↑ Pese a todo, STAR no se hace responsable de los errores que puedan aparecer en este manual.

© Copyright 2003 Star Micronics Co., LTD.

## Información de seguridad

---

### **Importante**

*Antes de realizar conexiones, asegúrese de que la impresora está apagada y desconectada de la toma de CA, y de que el ordenador está apagado.*

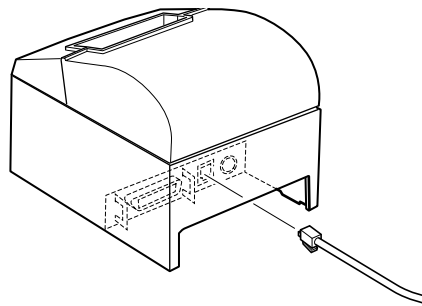
---

### **Importante**

*No conecte una línea de teléfono al conector de la unidad para periféricos. Si lo hace, podría dañar la impresora.*

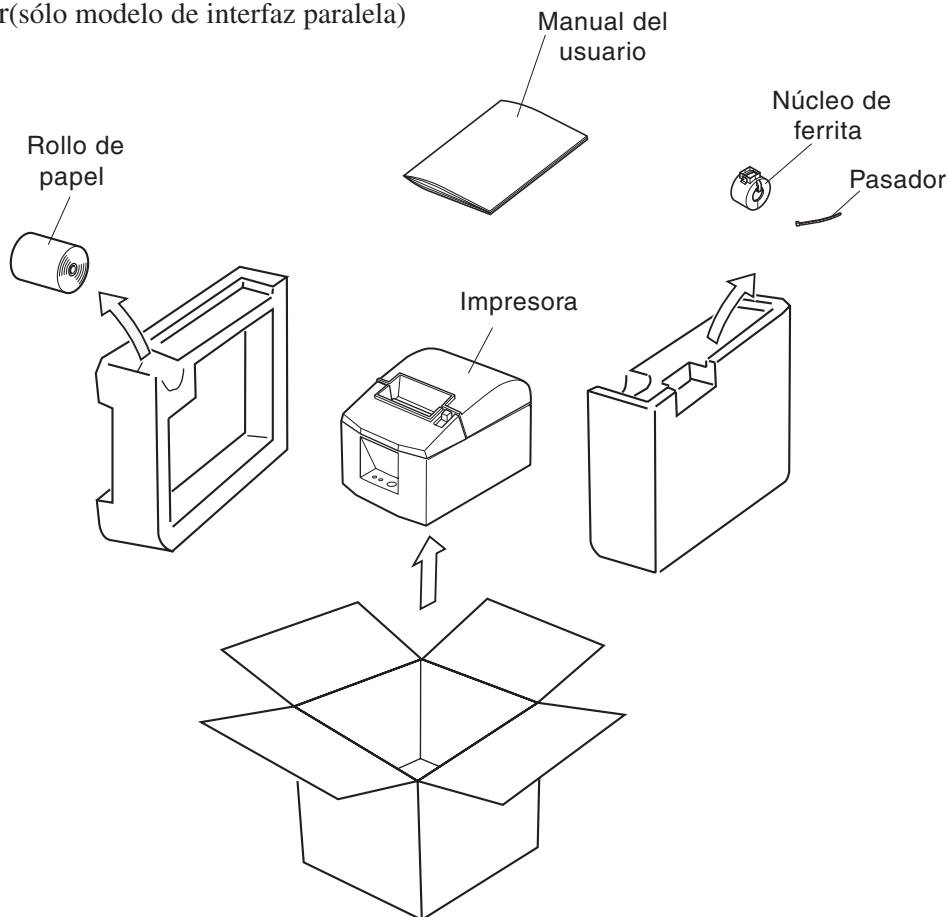
*Además, por motivos de seguridad, no conecte cables al conector de la unidad externa si existe la probabilidad de que conserve voltaje residual.*

---



## Desembalaje

- ✓ Impresora
- ✓ Manual del usuario
- ✓ Rollo de papel
- ✓ Núcleo de ferrita(sólo modelo de interfaz paralela)
- ✓ Pasador(sólo modelo de interfaz paralela)



## Elección de una ubicación para la impresora

Antes de desembalar la impresora, dedique unos minutos a pensar dónde la va a utilizar. Cuando lo haga, recuerde los siguientes puntos:

- ✓ Elija una superficie plana y firme en la que la impresora no esté expuesta a vibraciones.
- ✓ La toma de alimentación a la que conectará la impresora debe estar cerca y libre de obstrucciones.
- ✓ Asegúrese de que la impresora está lo bastante cerca del ordenador host para poder conectarlos.
- ✓ Asegúrese de que la impresora no queda expuesta a la luz solar directa.
- ✓ Asegúrese de que la impresora está bien alejada de radiadores y otras fuentes de calor extremo.
- ✓ Asegúrese de que el área circundante está limpia, seca y sin polvo.
- ✓ Asegúrese de que la impresora está conectada a una toma de alimentación que funcione. No debe estar en el mismo circuito eléctrico que fotocopiadoras, frigoríficos y otros aparatos que puedan provocar subidas de tensión.
- ✓ Asegúrese de que la habitación en la que va a utilizar la impresora no está demasiado húmeda.

## Consumibles

Cuando los consumibles se agoten, utilice los que se especifican en la siguiente tabla. Asegúrese de utilizar el adaptador de CA especificado en la tabla.

El uso de consumibles o un adaptador de CA que no sean los especificados en la tabla puede producir daños a la impresora, fuego o descargas eléctricas.

### (1) Especificación del rollo de papel

Papel térmico

Grosor: 65~85  $\mu\text{m}$

Ancho: 79,5 $\pm$ 0,5 mm (57,5 $\pm$ 0,5 mm si se utiliza el portarrollos opcional)

Diámetro exterior del rollo:  $\varnothing$ 90 mm o menos

Diámetro del núcleo exterior/interior

<b>Grosor del papel</b>	<b>Núcleo exterior</b>	<b>Núcleo interior</b>
-------------------------	------------------------	------------------------

65~85 $\mu\text{m}$	$\varnothing$ 18 $\pm$ 1 mm	$\varnothing$ 12 $\pm$ 1 mm
---------------------	-----------------------------	-----------------------------

Superficie impresa: Borde exterior del rollo

Tratamiento del extremo inferior: No utilice cola ni pegamento para fijar el rollo de papel o su núcleo.

No doble el extremo inferior del papel.

### (2) Papel recomendado

Mitsubishi Paper Mills Limited

P220AG (papel tipo normal), 65  $\mu\text{m}$  (grosor)

HP220A (papel de alta estabilidad de imagen), 65  $\mu\text{m}$  (grosor)

HP220AB-1 (papel de alta estabilidad de imagen), 75  $\mu\text{m}$  (grosor)

P220AB (papel tipo normal, cartulina, ticket), 85  $\mu\text{m}$  (grosor)

PB670 (papel de 2 colores: rojo y negro), 75  $\mu\text{m}$  (grosor)

PB770 (papel de 2 colores: azul y negro), 75  $\mu\text{m}$  (grosor)

Oji Paper Co., Ltd.

PD150R (papel tipo normal), 75  $\mu\text{m}$  (grosor)

PD160R (papel de alta estabilidad de imagen), 65/75  $\mu\text{m}$  (grosor)

PD750R (papel de 2 colores: rojo y negro), 75  $\mu\text{m}$  (grosor)

PD700R (papel de 2 colores: azul y negro), 75  $\mu\text{m}$  (grosor)

Nippon Paper Industries

TF50KS-E2C (papel tipo normal), 65  $\mu\text{m}$  (grosor)

Kanzaki Specialty Papers Inc. (KSP)

P320RB (papel de 2 colores: rojo y negro), 65  $\mu\text{m}$  (grosor)

P320BB (papel de 2 colores: azul y negro), 65  $\mu\text{m}$  (grosor)

Según el tipo y grosor del papel, puede ser necesario modificar la configuración del grado de oscuridad de la impresión. Para ello, utilice el comando <ESC><RS> 'd' n. Para obtener más detalles, consulte el manual del programador que viene aparte.

## Conexión de la fuente de alimentación opcional

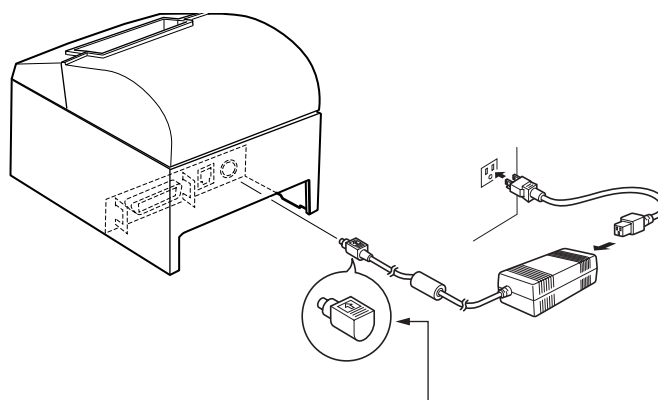
**Nota:** Antes de conectar o desconectar la fuente de alimentación, compruebe que la alimentación de la impresora y de todos los dispositivos conectados a ella está desactivada. Asegúrese también de que el enchufe del cable de alimentación está desconectado de la toma de corriente.

(1) Conecte la fuente de alimentación al cable de alimentación.

**Nota:** Utilice sólo la fuente de alimentación y el cable de alimentación estándar.

(2) Conecte la fuente de alimentación al conector de la impresora.

(3) Inserte el enchufe del cable de alimentación en una toma de corriente.

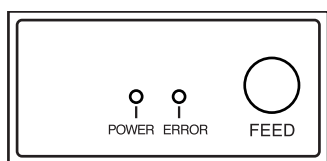


### **Importante**

Al desconectar el cable, agárrelo por el conector para sacarlo. Al soltar el bloqueo resulta más fácil desconectar el conector.

No tire excesivamente del cable, ya que podría dañar el conector.

## Panel de control

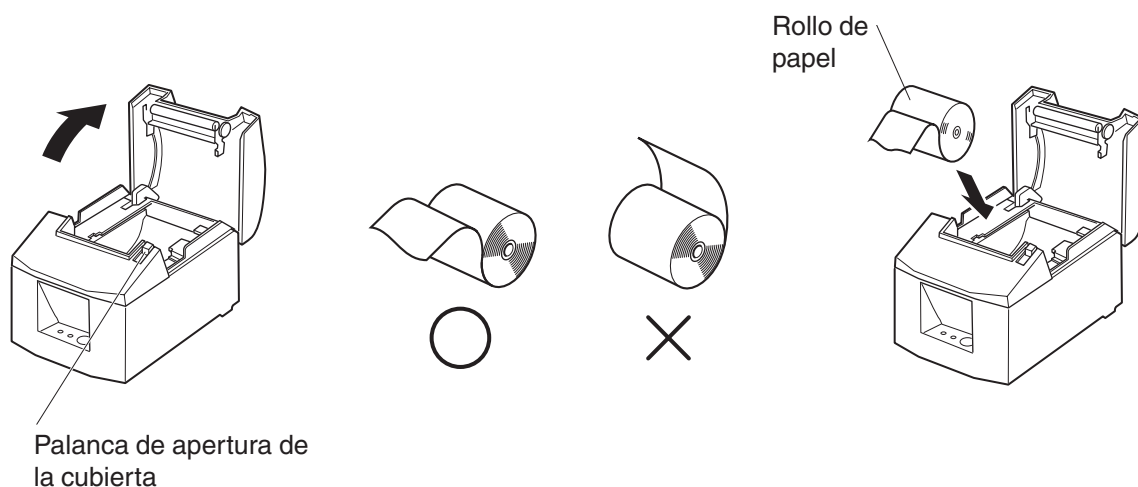


- 1 Luz de encendido (POWER) (LED verde)
- 2 Luz de ERROR (LED rojo)
- 3 Botón de alimentación (FEED)

- 1 Luz de encendido (POWER) (LED verde)  
Se enciende cuando la alimentación está activada
- 2 Luz de ERROR (LED rojo)  
Indica varios errores en combinación con la luz de encendido
- 3 Botón de alimentación (FEED)  
Pulse el botón de alimentación para cargar el rollo de papel.

## Carga del rollo de papel

Asegúrese de utilizar el rollo de papel que se ajusta a la especificación de la impresora. Si utiliza un rollo de papel con un ancho de 57,5 mm, instale el portarrollos opcional. Empuje la palanca de apertura de la cubierta y abra la cubierta de la impresora.



Prestando atención a la dirección del rollo, introduzca el rollo de papel en el hueco y tire del borde delantero del papel hacia usted.

## Eliminación de atascos de papel

Si se produce un atasco de papel, haga lo siguiente para eliminarlo.

- (1) Desactive la alimentación de la impresora mediante el botón de encendido.
- (2) Tire de la palanca hacia usted para abrir la cubierta de la impresora.  
Si la cubierta de la impresora no se abre en los modelos de cortadora automática, significa que la cortadora automática no se encuentra en la posición inicial. En este caso, devuelva la cortadora automática a la posición inicial siguiendo las instrucciones proporcionadas en la siguiente sección. A continuación, abra la cubierta de la impresora tras haber eliminado el atasco de papel.
- (3) Elimine el papel atascado.  
**Nota:** Al retirar el papel atascado, tenga cuidado de no dañar la impresora. Ya que, en concreto, es fácil dañar el cabezal térmico, procure no tocarlo.
- (4) Coloque recto el rollo de papel y cierre la cubierta de la impresora suavemente.  
**Nota 1:** Asegúrese de que el papel se coloca recto. Si la cubierta de la impresora se cierra con el papel torcido, puede producirse un atasco de papel.  
  
**Nota 2:** Cierre la cubierta de la impresora presionando hacia abajo por los lados. No intente hacerlo por la parte central. La cubierta podría no cerrarse adecuadamente.
- (5) Active la alimentación de la impresora mediante el botón de encendido. Asegúrese de que el LED de ERROR no se enciende.  
**Nota:** Mientras el LED de ERROR está encendido, la impresora no aceptará ningún comando, por ejemplo el comando de impresión, de modo que asegúrese de que la cubierta de la impresora está correctamente cerrada.

## Cómo soltar una cortadora bloqueada (sólo para el modo de cortadora automática)

Si la cortadora automática se bloquea o deja de cortar el papel, siga las instrucciones indicadas a continuación.

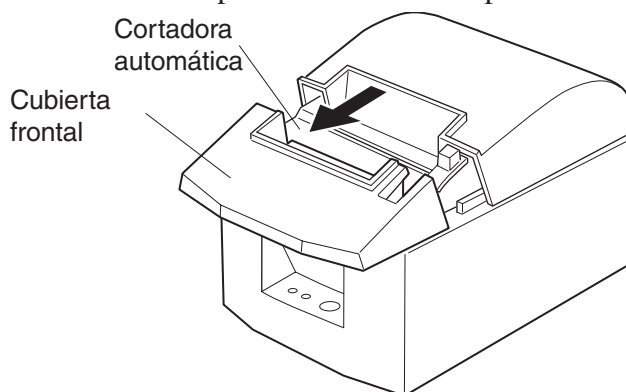
### Precaución

Ya que trabajar con la cortadora puede resultar peligroso, desconecte primero la impresora.

- (1) Desactive la alimentación de la impresora mediante el botón de encendido.
- (2) Quite la cubierta frontal para tener acceso a la cortadora automática.
- (3) Elimine el papel atascado.

**Nota:** Procure no dañar la impresora mientras elimina el papel atascado.

Como el cabezal de impresión térmica es especialmente sensible, procure no tocarlo.

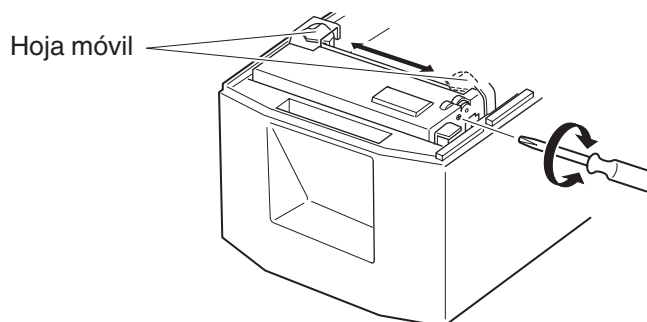


- (4) Si la hoja móvil de la cortadora sobresale, utilice un destornillador Philips para atornillar el tornillo con cabeza Philips y devolver la hoja móvil a su posición inicial. Cuando la ventana de comprobación esté completamente blanca, la hoja móvil se encuentra en su posición inicial.

**Nota 1:** No ejerza demasiada presión en la hoja móvil.

**Nota 2:** Si la hoja móvil sobresale demasiado, la cubierta de la impresora no se podrá abrir. Si se intenta abrir la cubierta de la impresora, es posible que se dañe la cortadora.

- (5) Abra la cubierta de la impresora, elimine el papel atascado y, a continuación, vuelva a instalar el rollo de papel.
- (6) Instale la cubierta frontal y, a continuación, active la alimentación de la impresora.



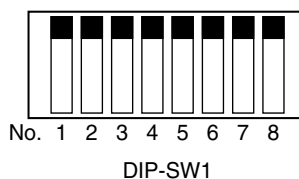
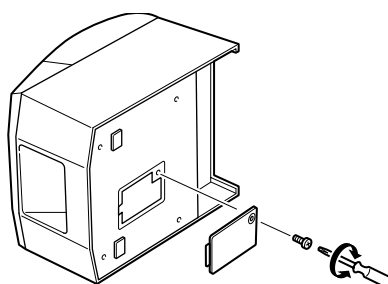
## Limpieza del cabezal térmico

Para quitar el polvo que se acumula sobre la superficie del cabezal térmico, límpielo con alcohol isopropílico (IPA).

**Nota:** El cabezal térmico se puede dañar fácilmente; para evitarlo, límpielo con cuidado con un paño suave. Tenga mucho cuidado de no arañarlo.



## Configuración de los interruptores DIP: Tipo de interfaz paralela



### INT-DIP 1

Interruptor 1-1	Emulación de comando
ON	Modo Star
OFF	Modo ESC/POS

La configuración de fábrica de los interruptores DIP del modelo de cortadora automática es todos activados (ON). El interruptor 1-3 del modelo de barra de corte está desactivado (OFF) y los demás están activados (ON).

#### (1) Modo Star

Interr.	Función	ON	OFF
1-1	Emulación de comando	Siempre ON	
1-2	No se debe cambiar (se debe establecer en On)		
1-3	Cortadora automática	Válido	No válido
1-4	Ajuste del sensor	No válido	Válido
1-5	Pin 31 señal de restablecimiento (INIT)	Válido	No válido
1-6	Condiciones de sincronización inicial (condiciones para OCUPADO)	Sin conexión o búfer de recepción lleno	Búfer de recepción lleno
1-7	Función automática de retroceso de estado	No válido	Válido
1-8	No se debe cambiar (se debe establecer en On)		

#### (2) Modo ESC/POS

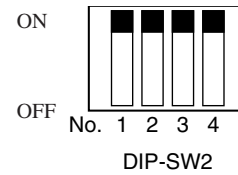
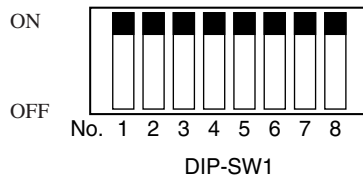
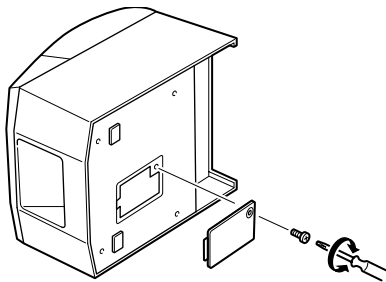
Interr.	Función	ON	OFF
1-1	Emulación de comando	Siempre OFF	
1-2	Ajuste gráfico	203 DPI	180 DPI
1-3	Cortadora automática	Válido	No válido
1-4	Ajuste del sensor	No válido	Válido
1-5	Pin 31 señal de restablecimiento (INIT)	Válido	No válido
1-6	Condiciones de sincronización inicial (condiciones para OCUPADO)	Sin conexión o búfer de recepción lleno	Búfer de recepción lleno
1-7	Función automática de retroceso de estado	No válido	Válido
1-8	No se debe cambiar (se debe establecer en On)		

### INT-DIP 2

Interr.	Función	ON	OFF
2-1	Siempre ON	Se debe establecer en On	
2-2			
2-3			
2-4			

La configuración de fábrica de los interruptores DIP es todos activados (ON).

# Configuración de los interruptores DIP: Tipo de interfaz serie



## INT-DIP 1

Interruptor 1-1	Emulación de comando
ON	Modo Star
OFF	Modo ESC/POS

La configuración de fábrica de los interruptores DIP del modelo de cortadora automática es todos activados (ON). El interruptor 1-3 del modelo de barra de corte está desactivado (OFF) y los demás están activados (ON).

### (1) Modo Star

Interr.	Función	ON	OFF
1-1	Emulación de comando	Siempre ON	
1-2	No se debe cambiar (se debe establecer en On)		
1-3	Cortadora automática	Válido	No válido
1-4	Ajuste del sensor	No válido	Válido
1-5	No se debe cambiar (se debe establecer en On)		
1-6	Condiciones de sincronización inicial (condiciones para OCUPADO)	Sin conexión o búfer de recepción lleno	Búfer de recepción lleno
1-7	Función automática de retroceso de estado	No válido	Válido
1-8	No se debe cambiar (se debe establecer en On)		

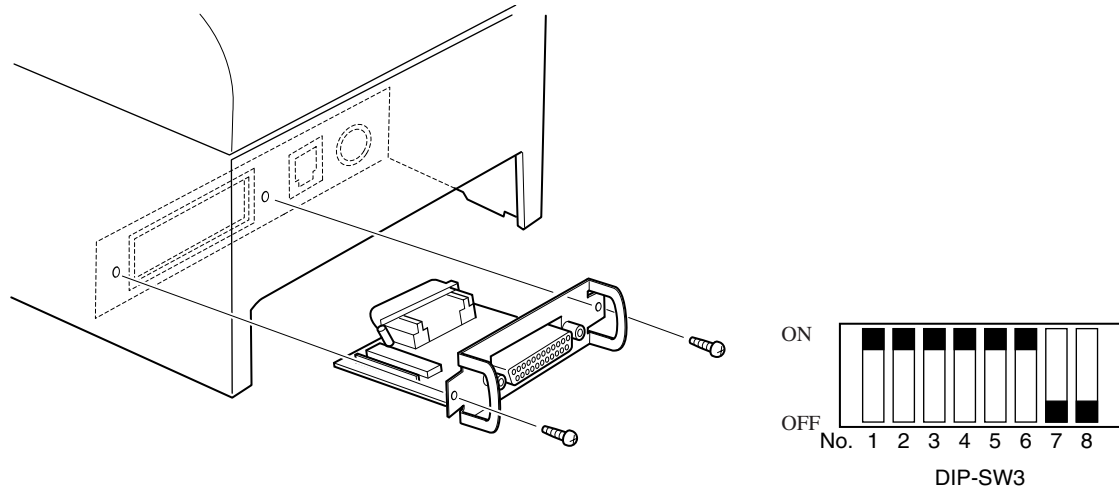
### (2) Modo ESC/POS

Interr.	Función	ON	OFF
1-1	Emulación de comando	Siempre OFF	
1-2	Ajuste gráfico	203 DPI	180 DPI
1-3	Cortadora automática	Válido	No válido
1-4	Ajuste del sensor	No válido	Válido
1-5	No se debe cambiar (se debe establecer en On)		
1-6	Condiciones de sincronización inicial (condiciones para OCUPADO)	Sin conexión o búfer de recepción lleno	Búfer de recepción lleno
1-7	Función automática de retroceso de estado	No válido	Válido
1-8	No se debe cambiar (se debe establecer en On)		

## INT-DIP 2

Interr.	Función	ON	OFF
2-1	Siempre ON	Se debe establecer en On	
2-2			
2-3			
2-4			

La configuración de fábrica de los interruptores DIP es todos activados (ON).



### INT-DIP 3

Interr.	Función	ON	OFF
3-1	Velocidad en baudios	Véase la siguiente tabla	
3-2			
3-3	Longitud de datos	8 bits	7 bits
3-4	Comprobación de paridad	Desactivada	Activada
3-5	Paridad	Impar	Par
3-6	Entrada en comunicación	DTR/DSR	XON/XOFF
3-7	Pin 6 señal de restablecimiento (DSR)	Válido	No válido
3-8	Pin 25 señal de restablecimiento (INIT)	Válido	No válido

Velocidad en baudios	Interruptor 3-1	Interruptor 3-2
4800 BPS	OFF	ON
9600 BPS	ON	ON
19200 BPS	ON	OFF

La configuración de fábrica de los interruptores DIP es todos activados (ON), excepto los interruptores 7 y 8.

## Especificaciones

Método de impresión	Impresión por vía térmica
Densidad de puntos	203 ppp x 203 ppp (8 puntos/mm)
Dirección de impresión	Unidireccional con alimentación a fricción
Anchura de impresión	72mm (576 puntos) máx.
Carácter por línea (predeterminado)	Fuente A: 48, Fuente B: 64
Espacio entre caracteres (predeterminado)	0 puntos
Tamaño de carácter	Fuente A: 1,5 x 3,0 mm Fuente B: 1,125 x 3,0 mm
Juego de caracteres	Caracteres alfanuméricos: 95 Caracteres internacionales: 32 Gráficos externos: páginas de 128 x 40
Velocidad de impresión	100 mm/seg. máx.
Espacio entre líneas	3mm / 4mm
Estructura de caracteres	Fuente A: 12 x 24 Fuente B: 9 x 24
Interfaz	RS232C / IEEE1284 / USB / Ethernet
Tamaño de búfer de recepción MCBF	8K / 64 bytes 60 millones de líneas (según la velocidad de impresión media de 12,5% con grosor de papel en el rango 65 $\mu$ m)
Duración de cortadora	0,5 millón (grosor de papel de 65-85 $\mu$ m)
Temperatura	Funcionamiento: 5 a 45 °C Almacenamiento: -20 a 60 °C
Humedad	Funcionamiento: Humedad relativa de 10 a 90% (sin condensación) Almacenamiento: Humedad relativa de 10 a 90% (sin condensación)
Dimensiones	142 x 199 x 132 (Ancho x Profundo x Alto en mm)
Peso	1,4 Kg aprox.

## Opciones

- (1) Juego de montaje mural (WB-T600)
- (2) Juego de soporte vertical (VS-T600)
- (3) Placa de interfaz USB (IFBD-HU04)
- (4) Placa de interfaz paralela (IFBD-HC04)
- (5) Placa de interfaz RS-232C de 25 pines (IFBD-HD04)
- (6) Placa de interfaz RS-232C de 9 pines (IFBD-HN04)
- (7) Placa de interfaz Ethernet (IFBD-HE04)

Para obtener los drivers y utilidades más recientes, visite la siguiente dirección URL  
[http://www.star-micronics.co.jp/service/frame\\_sp\\_spr\\_e.htm](http://www.star-micronics.co.jp/service/frame_sp_spr_e.htm).

***IMPRESSORA TÉRMICA***  
**SÉRIE TSP600**  
***MANUAL DO UTILIZADOR***



**FCC (“Federal Communications Commission”)  
Interferência na frequência de rádio  
Declaração**

Este equipamento foi testado e concluiu-se que está em conformidade com os limites para um dispositivo digital de classe A, de acordo com a secção 15 das normas da FCC. Estes limites foram concebidos para disponibilizar uma protecção razoável contra as interferências perigosas quando o equipamento é utilizado num ambiente comercial. Este equipamento gera, utiliza e pode irradiar energia de frequência rádio e se não for instalado e utilizado de acordo com o manual de instruções pode provocar interferências perigosas nas comunicações via rádio. A utilização deste equipamento numa área residencial poderá provocar interferências perigosas. Se tal for o caso, o utilizador terá de custear a correcção das interferências.

Para estar em conformidade com a norma “Federal Noise Interference”, este equipamento necessita de utilizar um cabo blindado.

*Esta declaração só se aplica às impressoras comercializadas nos E.U.A..*

**Declaração do  
Departamento Canadiano de Comunicações  
Normas relativas às interferências via rádio**

Este aparelho digital não excede os limites da classe A para as emissões de ruído do rádio provenientes de aparelhos digitais definidos nas normas relativas a interferências provenientes do rádio emitidas pelo Departamento Canadiano de Comunicações.

Le présent appareil numérique n’émet pas de bruits radioélectriques dépassant les limites applicables aux appareils numériques de la classe A prescrites dans le Règlement sur le brouillage radioélectrique édicté par le ministère des Communications du Canada.

*A declaração acima aplica-se apenas a impressoras comercializadas no Canadá.*

**CE  
Declaração de conformidade do fabricante**

**Directiva do Conselho da CE 89/336/EEC, de 3 de Maio de 1989**

Este produto foi concebido e fabricado de acordo com as normas internacionais EN 61000-6-3/10.2001 e EN 55024/09.98, no seguimento das provisões da directiva relativa à compatibilidade electromagnética da Comunidade Europeia, emitida em Maio de 1989.

**Directiva do Conselho da UE 73/23/EEC e 93/68/EEC, emitida no dia 22 de Julho de 1993**

Este produto foi concebido e fabricado de acordo com as normas internacionais EN 60950, no seguimento das provisões da directiva relativa a baixas tensões da Comunidade Europeia, emitida em Julho de 1993.

*A declaração acima aplica-se apenas a impressoras comercializadas nos E.U.A..*

**Reconhecimentos das marcas comerciais**

**TSP600:** Star Micronics Co., Ltd.

**ESC/POS:** Seiko Epson Corporation

**Aviso**

- Todos os direitos reservados. Não é permitida a reprodução de qualquer parte deste manual sob qualquer forma, sem a permissão expressa da STAR.
- O conteúdo deste manual está sujeito a alterações sem aviso prévio.
- Foram realizados todos os esforços para assegurar a exactidão do conteúdo deste manual quando foi impresso. Contudo, se forem detectados alguns erros, a STAR agradecia imenso que fosse informada desses erros.
- Desta forma, a STAR não assume qualquer tipo de responsabilidade pelos erros existentes neste manual.

© Copyright 2003 Star Micronics Co., LTD.

## Informações relativas à segurança

---

**Importante!**

*Certifique-se de que a impressora está desactivada e desligada da tomada AC e de que o computador está desligado antes de realizar as ligações.*

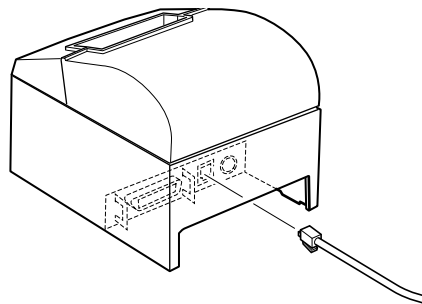
---

**Importante!**

*Não ligue uma linha telefónica ao conector da unidade periférica. Se o fizer, pode danificar a impressora.*

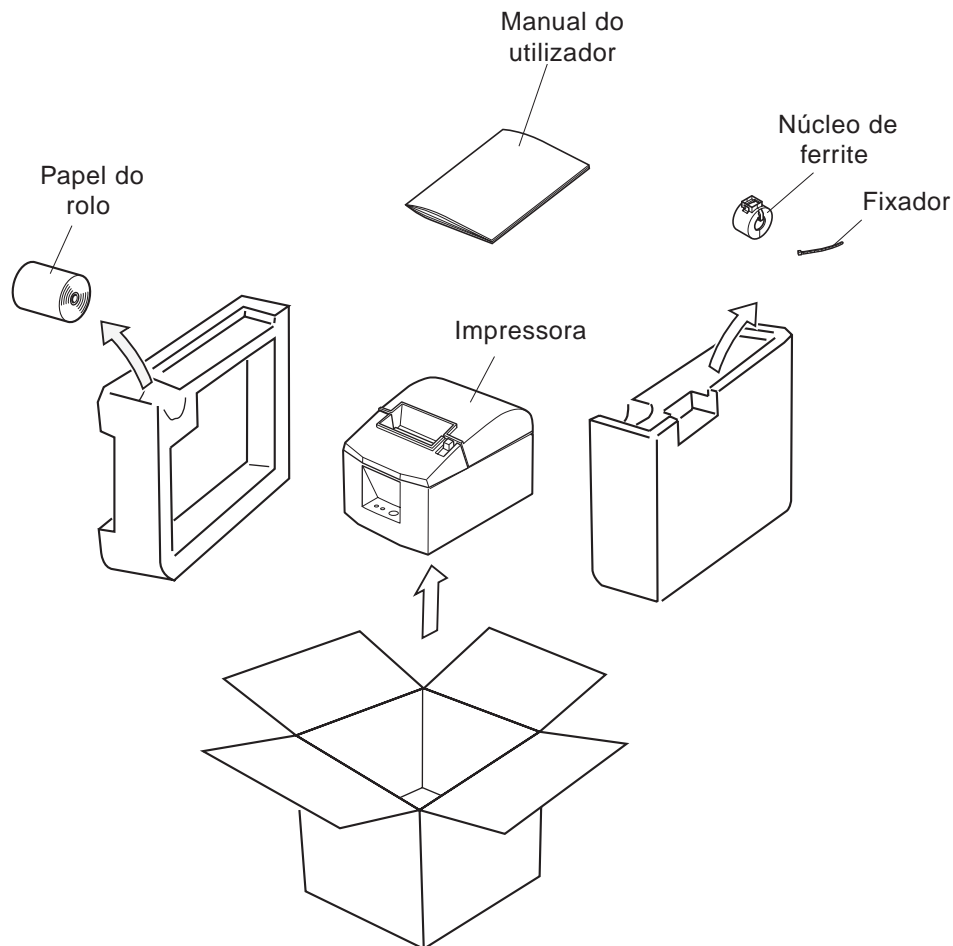
*Além disso, por questões de segurança, não ligue nenhum fio ao conector da unidade externa, se houver a hipótese de transportar tensão periférica.*

---



## Desempacotamento

- ✓ Impressora
- ✓ Manual do utilizador
- ✓ Papel do rolo
- ✓ Núcleo de ferrite (apenas no modelo com interface paralelo)
- ✓ Fixador (apenas no modelo com interface paralelo)



## Escolha um local para colocar a impressora

Antes de desempacotar a impressora, demore alguns minutos a pensar onde planeia utilizá-la. Lembre-se dos seguintes pontos quando pensar nisso:

- ✓ Escolha uma superfície firme e plana onde a impressora não seja exposta a vibrações.
- ✓ A tomada que planeia ligar à corrente deverá estar perto e desobstruída.
- ✓ Certifique-se de que a impressora está suficientemente perto do computador anfitrião para ligar os dois dispositivos.
- ✓ Certifique-se de que a impressora não está exposta à luz solar directa.
- ✓ Certifique-se de que a impressora está suficientemente afastada de aquecedores e de outras fontes de calor extremo.
- ✓ Certifique-se de que a área circundante está limpa, seca e sem pó.
- ✓ Certifique-se de que a impressora está ligada a uma tomada fidedigna. A tomada não pode estar instalada no mesmo circuito eléctrico do que as fotocopiadoras, refrigeradores ou outras aplicações que provoquem picos de corrente.
- ✓ Certifique-se de que a sala onde está a utilizar a impressora não é demasiado húmida.



## Itens consumíveis

Quando os itens consumíveis acabarem, utilize os itens especificados na tabela abaixo. Certifique-se de que é utilizado o transformador AC especificado na tabela.

A utilização de itens consumíveis ou de um transformador AC que não esteja especificado na tabela poderá danificar a impressora, provocar um incêndio ou um choque elétrico.

### (1) Especificações do papel do rolo

Papel térmico

Espessura: entre 5 e 85  $\mu\text{m}$

Largura: entre 79,5 e  $\pm 0.5$  mm (57,5 e  $\pm 0.5$  mm, quando é utilizado o fixador do rolator de papel opcional)

Diâmetro do rolo exterior:  $\varnothing 90$  mm ou menos

Diâmetro externo/interno do núcleo

<b>Espessura do papel</b>	<b>Exterior do núcleo</b>	<b>Interior do núcleo</b>
---------------------------	---------------------------	---------------------------

Entre 65 e 85 $\mu\text{m}$	$\varnothing 18 \pm 1$ mm	$\varnothing 12 \pm 1$ mm
-----------------------------	---------------------------	---------------------------

Superfície impressa: extremidade exterior do rolo

Manuseamento da extremidade: Não utilize pasta ou cola para fixar o rolo de papel ao núcleo.

Não dobre a extremidade do papel.

### (2) Papel recomendado

Mitsubishi Paper Mills Limited

P220AG (papel do tipo normal), com 65  $\mu\text{m}$  (espessura)

HP220A (papel com uma elevada estabilidade da imagem), com 65  $\mu\text{m}$  (espessura)

HP220AB-1 (papel com elevada estabilidade da imagem), com 75  $\mu\text{m}$  (espessura)

P220AB (papel do tipo normal, cartão, bilhete), com 85  $\mu\text{m}$  (espessura)

PB670 (2 cores de papel: vermelho e preto), com 75  $\mu\text{m}$  (espessura)

PB770 (2 cores de papel: azul e preto), com 75  $\mu\text{m}$  (espessura)

Oji Paper Co., Ltd.

PD150R (papel do tipo normal), com 75  $\mu\text{m}$  (espessura)

PD160R (papel com elevada estabilidade da imagem), com 65/75  $\mu\text{m}$  (espessura)

PD750R (2 cores de papel: vermelho e preto), com 75  $\mu\text{m}$  (espessura)

PD700R (2 cores de papel: azul e preto), com 75  $\mu\text{m}$  (espessura)

Nippon Paper Industries

TF50KS-E2C (papel do tipo normal), com 65  $\mu\text{m}$  (espessura)

Kanzaki Specialty Papers Inc. (KSP)

P320RB (2 cores de papel: vermelho e preto), com 65  $\mu\text{m}$  (espessura)

P320BB (2 cores de papel: azul e preto), com 65  $\mu\text{m}$  (espessura)

Dependendo do tipo e espessura do papel, poderá ser necessário alterar as definições para o sombreamento da impressão. Para alterar as definições de sombreamento, utilize o comando das definições de sombreamento da impressão <ESC><RS> 'd' n. Para mais informações, consulte o manual independente do programador.

## Ligação do transformador AC opcional

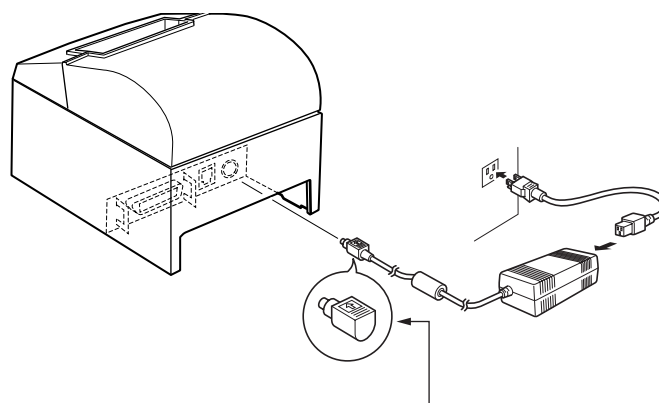
**Nota:** Antes de ligar/desligar o transformador AC, certifique-se de que a impressora e todos os dispositivos ligados à impressora estão desligados. Além disso, certifique-se de que a ficha do cabo de alimentação está desligada da tomada AC.

(1) Ligue o transformador AC ao cabo de alimentação.

**Nota:** Utilize apenas o transformador AC e o cabo de alimentação standard.

(2) Ligue o transformador AC ao conector existente na impressora.

(3) Introduza a ficha do cabo de alimentação na tomada AC.

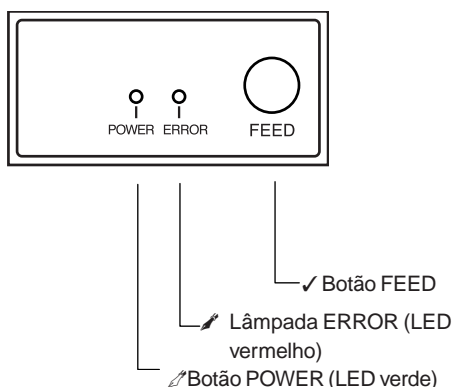


### **Importante!**

Quando desligar o cabo, segure na ficha do cabo para a retirar da tomada. Se desengatar o bloqueador faz com que seja mais fácil desligar a ficha da tomada.

Se puxar demasiado o cabo, pode danificar a ficha.

## Painel de controlo



✍ Botão POWER (LED verde)

Acende quando o dispositivo está LIGADO

✍ Lâmpada ERROR (LED vermelho)

Indica diversos erros em combinação com a lâmpada POWER

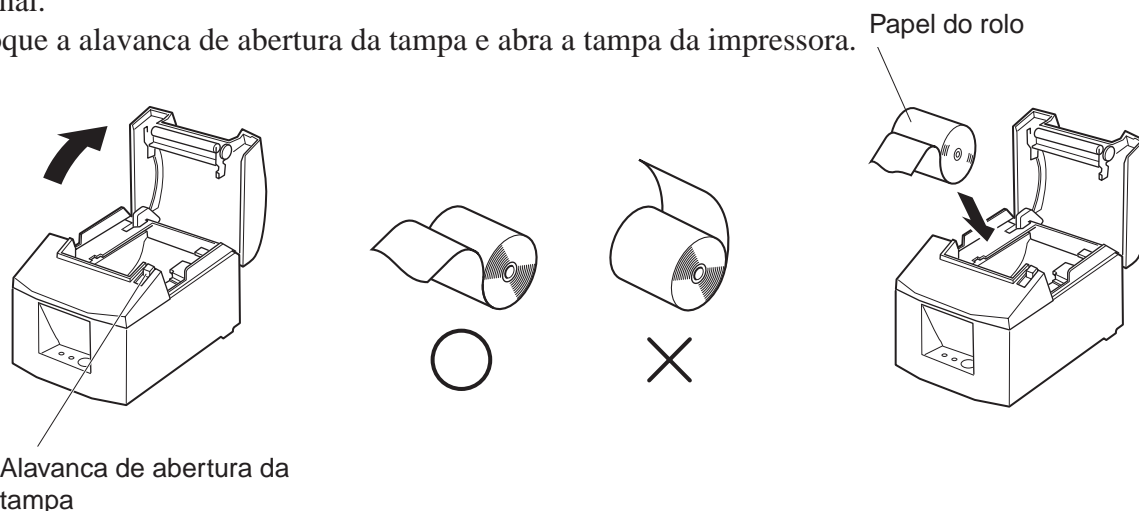
✓ Botão FEED

Prima o botão FEED para introduzir papel do rolo.

## Introdução do papel do rolo

Certifique-se de que utiliza um papel de rolo que coincida com as especificações da impressora. Quando utilizar um rolo de papel com uma largura de 57,5 mm, instale o fixador do rolo de papel opcional.

Desloque a alavanca de abertura da tampa e abra a tampa da impressora.



Enquanto observa a direcção do rolo, coloque o rolo de papel no orifício e puxe a extremidade do papel na sua direcção.

## Retirar papel encravado

Se o papel ficar encravado, proceda como é explicado abaixo.

(1) Coloque o interruptor de alimentação na posição “off” (desligado) para desligar a impressora.

(2) Desloque a alavanca na sua direcção para abrir a tampa da impressora.

Se a tampa da impressora não abrir nos modelos com cortador automático, significa que o cortador automático não está na posição inicial. Se tal for o caso, volte a colocar o cortador automático na posição inicial, seguindo as instruções fornecidas na secção seguinte. A seguir, abra a tampa da impressora depois do papel encravado ter sido removido.

(3) Retire o papel encravado.

**Nota:** Tenha cuidado para não danificar a impressora quando remover o papel encravado.

Como é fácil danificar a cabeça térmica em particular, tenha cuidado para não tocar nela.

(4) Coloque o papel do rolo direito e cuidadosamente junto da tampa da impressora.

**Nota 1:** Certifique-se de que o papel é colocado direito. Se a tampa da impressora estiver fechada com o papel torto, pode ocorrer um encravamento do papel.

**Nota 2:** Para bloquear a tampa da impressora, prima ambos os lados. Não tente fechar a tampa da impressora pressionando a parte central: porque a tampa da impressora pode não bloquear correctamente.

(5) Coloque o interruptor de alimentação na posição “on” (ligado) para ligar a impressora. Certifique-se de que o LED ERROR não está aceso.

**Nota:** Enquanto o LED ERROR estiver aceso, a impressora não aceita quaisquer comandos, como por exemplo o comando da impressão. Desta forma, certifique-se de que a tampa da impressora está bloqueada correctamente.

## Libertar um cortador bloqueado (apenas no modelo do cortador automático)

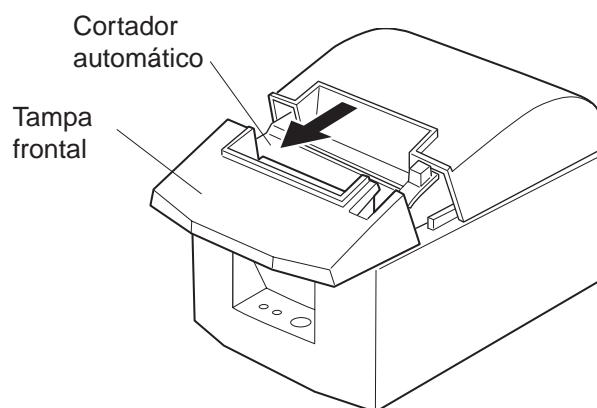
Se o cortador automático bloquear ou não conseguir cortar o papel, siga os passos abaixo indicados:

### Atenção

Como trabalhar com o cortador pode ser perigoso, desligue a impressora primeiro.

- (1) Coloque o interruptor de alimentação na posição “OFF” (desligado) para desligar a impressora.
- (2) Desloque para fora a tampa frontal para fazer aparecer o cortador automático.
- (3) Retire o papel encravado.

**Nota:** Tenha cuidado para não danificar a impressora quando remover o papel encravado. Como a cabeça de impressão térmica é particularmente sensível, não toque nesta.

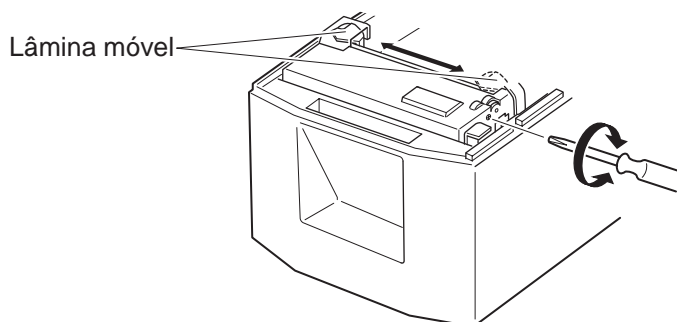


- (4) Se a lâmina móvel do cortador estiver saliente, utilize uma chave de parafusos Phillips, para rodar o parafuso de cabeça redonda e volte a colocar a lâmina móvel na posição inicial. Quando a janela de verificação estiver completamente branca, significa que a lâmina móvel está na posição inicial.

**Nota 1:** Não exerça demasiada pressão sobre a lâmina móvel.

**Nota 2:** Se a lâmina móvel estiver demasiado saliente, não é possível abrir a tampa da impressora. Se tentar abrir a tampa da impressora, pode danificar o cortador.

- (5) Abra a tampa da impressora, retire o papel encravado e, de seguida, volte a instalar o rolo de papel.
- (6) Coloque a tampa frontal e, de seguida, coloque o interruptor de alimentação na posição “ON” (LIGADO).

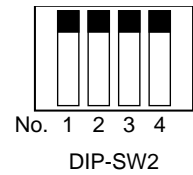
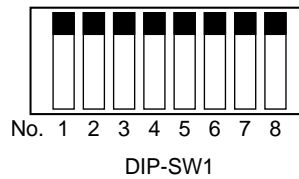
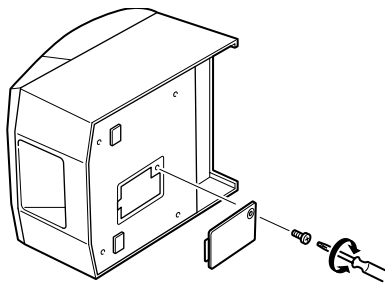


## Limpeza da cabeça térmica

Para remover o pó preto acumulado na superfície da cabeça térmica, limpe-a com álcool isopropílico (IPA).

**Nota:** A cabeça térmica é fácil de danificar. Desta forma, limpe-a suavemente com um pano macio. Quando limpar a cabeça térmica, tenha cuidado para não a riscar.

## Definições do interruptor DIP – tipo de interface paralelo



### DIP-SW 1

Interruptor 1-1	Emulação do comando
ON	Modo Star
OFF	Modo ESC/POS

Todas as definições do fabricante para o interruptor DIP para o modelo do cortador automático são definidas para “on”. O interruptor 1-3 do modelo da barra de resistência são definidos para “off” e os outros interruptores são definidos para “on”.

#### (1) Modo Star

Interr.	Função	ON	OFF
1-1	Emulação do comando	Sempre LIGADO	
1-2	Não deve ser alterado (deve estar definido para “on” (ligado))		
1-3	Cortador automático	Válido	Inválido
1-4	Ajuste do sensor	Inválido	Válido
1-5	Pino #31 (INIT) sinal de reinício	Válido	Inválido
1-6	Ligação entre a impressora e o computador (condições para OCUPADO)	Offline ou a memória de recepção está cheia	A memória intermédia de recepção está cheia
1-7	Função de reposição do estado automático	Inválido	Válido
1-8	Não deve ser alterado (deve estar definido para “on” (ligado))		

#### (2) Modo ESC/POS

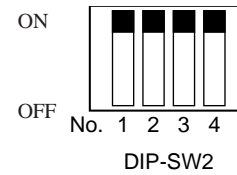
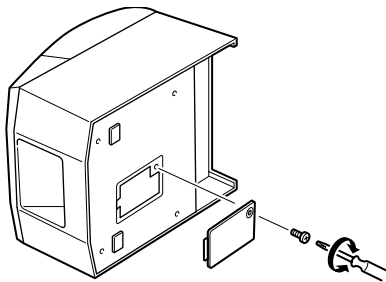
Interr.	Função	ON	OFF
1-1	Emulação do comando	Sempre LIGADO	
1-2	Ajuste gráfico	203 DPI	180 DPI
1-3	Cortador automático	Válido	Inválido
1-4	Ajuste do sensor	Inválido	Válido
1-5	Pino #31 (INIT) sinal de reinício	Válido	Inválido
1-6	Ligação entre a impressora e o computador (condições para OCUPADO)	Offline ou a memória de recepção está cheia	A memória intermédia de recepção está cheia
1-7	Função de reposição do estado automático	Inválido	Válido
1-8	Não deve ser alterado (deve estar definido para “on” (ligado))		

### DIP-SW 2

Interr.	Função	ON	OFF
2-1	Sempre LIGADO	Deve ser definido para a posição “on” (ligado)	
2-2			
2-3			
2-4			

As definições do fabricante do interruptor DIP estão todas activas.

## Definições do interruptor DIP – tipo de interface série



### DIP-SW 1

Interruptor 1-1	Emulação do comando
ON	Modo Star
OFF	Modo ESC/POS

Todas as definições do fabricante para o interruptor DIP para o modelo do cortador automático são definidas para “on”. O interruptor 1-3 do modelo da barra de resistência são definidos para “off” e os outros interruptores são definidos para “on”.

#### (1) Modo Star

Interr.	Função	ON	OFF
1-1	Emulação do comando	Sempre LIGADO	
1-2	Não deve ser alterado (deve estar definido para “on” (ligado))		
1-3	Cortador automático	Válido	Inválido
1-4	Ajuste do sensor	Inválido	Válido
1-5	Não deve ser alterado (deve estar definido para “on” (ligado))		
1-6	Ligação entre a impressora e o computador (condições para OCUPADO)	Offline ou a memória de recepção está cheia	A memória intermédia de recepção está cheia
1-7	Função de reposição do estado automático	Inválido	Válido
1-8	Não deve ser alterado (deve estar definido para “on” (ligado))		

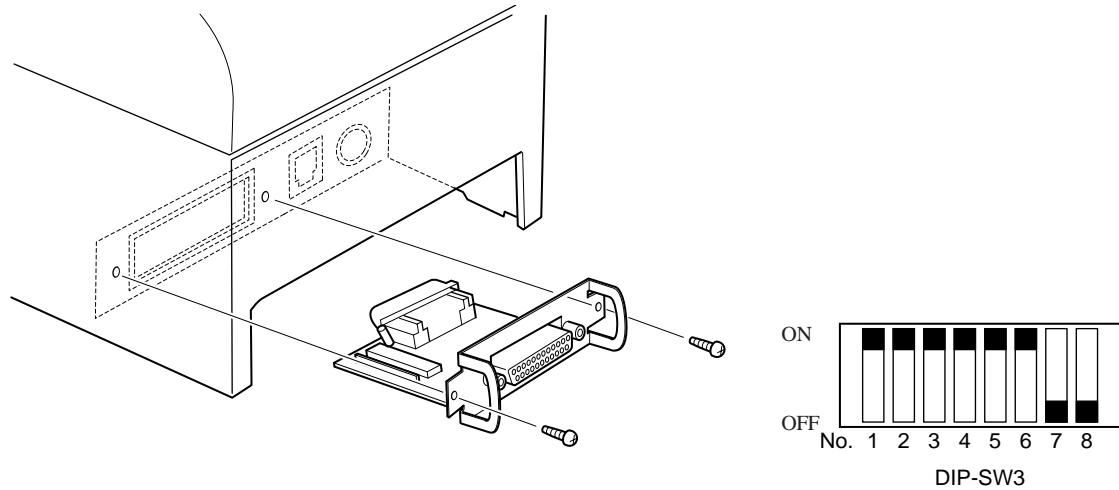
#### (2) Modo ESC/POS

Interr.	Função	ON	OFF
1-1	Emulação do comando	Sempre LIGADO	
1-2	Ajuste gráfico	203 DPI	180 DPI
1-3	Cortador automático	Válido	Inválido
1-4	Ajuste do sensor	Inválido	Válido
1-5	Não deve ser alterado (deve estar definido para “on” (ligado))		
1-6	Ligação entre a impressora e o computador (condições para OCUPADO)	Offline ou a memória de recepção está cheia	A memória intermédia de recepção está cheia
1-7	Função de reposição do estado automático	Inválido	Válido
1-8	Não deve ser alterado (deve estar definido para “on” (ligado))		

### DIP-SW 2

Interr.	Função	ON	OFF
2-1	Sempre LIGADO	Deve ser definido para a posição “on” (ligado)	
2-2			
2-3			
2-4			

As definições do fabricante do interruptor DIP estão todas activas.



### DIP-SW 3

Interr.	Função	ON	OFF
3-1	Velocidade de transmissão	Consulte a tabela abaixo	
3-2			
3-3	Extensão dos dados	8 bits	7 bits
3-4	Verificação da paridade	Desactivado	Activado
3-5	Paridade	Ímpar	Par
3-6	Ligação entre a impressora e o computador	DTR/DSR	XON/XOFF
3-7	Pino #6 (DSR) sinal de reinício	Válido	Inválido
3-8	Pino #25 (INIT) sinal de reinício	Válido	Inválido

Velocidade de transmissão	Interruptor 3-1	Interruptor 3-2
4800BPS	OFF	ON
9600BPS	ON	ON
19200BPS	ON	OFF

As definições do fabricante para o interruptor DIP estão todas activas, excepto para os interruptores 7 e 8.

## Especificações

Método de impressão	Impressão da linha térmica
Densidade dos pontos	203 dpi x 203 dpi (8 pontos/mm)
Direcção da impressão	Unidireccional com alimentação por fricção
Largura de impressão	Máximo de 72mm (576 pontos)
Número de caracteres por linha (predefinido)	Fonte A: 48, Fonte B: 64
Espaçamento entre os caracteres (predefinido)	0 pontos
Tamanho dos caracteres	Fonte A: 1,5 x 3,0 mm Fonte B: 1,125 x 3,0 mm
Conjunto dos caracteres	Caracteres alfanuméricos: 95 Caracteres internacionais: 32 Gráficos externos: 128 x 40 páginas
Velocidade de impressão	Máximo de 100 mm/seg.
Espaçamento entre linhas	3 mm/4 mm
Estrutura dos caracteres	Fonte A: 12 x 24 Fonte B: 9 x 24
Interface	RS232C/IEEE1284/USB/Ethernet
Tamanho da memória intermédia recebida	8 K/64 bytes
MCBF	60 milhões de linhas (com base numa velocidade de impressão média de 12,5% e com uma espessura do papel de 65 µm)
Duração do cortador	0,5 milhões (entre 65 e 85 µm de papel espesso)
Temperatura	Funcionamento: entre 5 e 45 °C Armazenamento: entre -20 e 60 °C
Humidade	Funcionamento: entre 10 e 90% RH (sem condensação) Armazenamento: entre 10 e 90% RH (sem condensação)
Dimensões	142 x 199 x 132 (L x P x A mm)
Peso	Aproximadamente 1,4 kg

## Opções

- (1) Conjunto para montagem na parede (WB-T600)
- (2) Conjunto para suporte vertical (VS-T600)
- (3) Unidade da placa de interface USB (IFBD-HU04)
- (4) Unidade da placa de interface paralelo (IFBD-HC04)
- (5) Unidade da placa de interface RS-232C de 25 pinos (IFBD-HD04)
- (6) Unidade da placa de interface RS-232C de 9 pinos (IFBD-HN04)
- (7) Unidade da placa de interface Ethernet (IFBD-HE04)

Aceda ao seguinte URL:

[http://www.star-micronics.co.jp/service/frame\\_sp\\_spr\\_e.htm](http://www.star-micronics.co.jp/service/frame_sp_spr_e.htm)

para obter os mais recentes controladores e utilitários da impressora.



***THERMISCHE PRINTER***  
**TSP600-SERIE**  
***GEBRUIKERSHANDLEIDING***



**Federal Communications Commission  
Storing van radiofrequenties  
Verklaring**

Deze apparatuur blijkt volgens tests te voldoen aan de criteria voor computerapparatuur van klasse A, overeenkomstig deel 15 van het FCC-reglement. Deze regels beogen een redelijke bescherming te bieden tegen storingen wanneer de apparatuur in een zakelijke omgeving wordt gebruikt. In deze apparatuur wordt elektrische energie op radiofrequenties opgewekt, die storing kan veroorzaken in radio- en TV-ontvangst als hij niet volgens de in deze handleiding gegeven voorschriften wordt aangesloten of gebruikt. Gebruik ervan in een woonomgeving kan storing veroorzaken; in dat geval is de gebruiker verplicht om de storing op zijn kosten te verhelpen.

Ingevolge de Federal Noise Interference Standard is voor deze apparatuur een afgeschermd kabel vereist.

*Deze verklaring is alleen van toepassing op printers die in de Verenigde Staten op de markt worden gebracht.*

**Verklaring van het  
Canadese Ministerie van Communicatie  
Voorschriften inzake Radiostoring**

Deze digitale apparatuur blijft binnen de grenzen van klasse A voor radiostoringen die door digitale apparatuur worden veroorzaakt, zoals uiteengezet in de Voorschriften inzake Radiostoring van het Canadese Ministerie van Communicatie.

Le présent appareil numérique n'émet pas de bruits radioélectriques dépassant les limites applicables aux appareils numériques de la classe A prescrites dans le Règlement sur le brouillage radioélectrique édicté par le ministère des Communications du Canada.

*Bovenstaande verklaring is alleen van toepassing op printers die in Canada op de markt worden gebracht.*

**CE  
Conformiteitsverklaring van fabrikant**

**Europese richtlijn 89/336/EEC van 3 mei 1989**

Dit product is ontwikkeld en gefabriceerd volgens de internationale normen EN 61000-6-3/10.2001 en EN 55024/09.98 zoals bepaald in de richtlijn voor elektromagnetische compatibiliteit van de Europese Gemeenschap van mei 1989.

**Europese richtlijnen 73/23/EEC en 93/68/EEC van 22 juli 1993**

Dit product is ontwikkeld en gefabriceerd volgens de internationale normen EN 60950 zoals bepaald in de laagspanningsrichtlijn van de Europese Gemeenschap van juli 1993.

*Bovenstaande bepaling is alleen van toepassing op printers die in de Europese Unie op de markt worden gebracht.*

**Verklaring over handelsmerken**

**TSP600:** Star Micronics Co., Ltd.

**ESC/POS:** Seiko Epson Corporation

**Opmerking**

- ↑ Alle rechten voorbehouden. Niets uit deze handleiding mag in welke vorm dan ook worden veelevoudigd zonder voorafgaande uitdrukkelijke toestemming van STAR.
- ↑ De inhoud van deze handleiding kan zonder voorafgaande kennisgeving worden gewijzigd.
- ↑ Tot het ter perse gaan van deze handleiding is al het mogelijke gedaan om de juistheid van de inhoud hiervan te waarborgen. Mochten er desondanks fouten in voorkomen, zal STAR het op prijs stellen hierover te worden geïnformeerd.
- ↑ STAR aanvaardt evenwel geen aansprakelijkheid voor eventuele fouten in deze handleiding.

© Copyright 2003 Star Micronics Co., LTD.

## Veiligheidsrichtlijnen

---

**Belangrijk!**

*Zorg dat de printer is uitgeschakeld, dat de voedingskabel is losgemaakt en dat de computer is uitgeschakeld als u de apparatuur gaat aansluiten.*

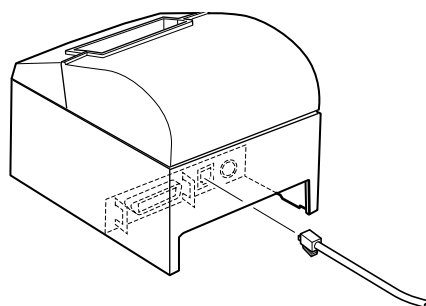
---

**Belangrijk!**

*Sluit geen telefoonkabel aan op de connector voor randapparatuur. Anders kan de printer defect raken.*

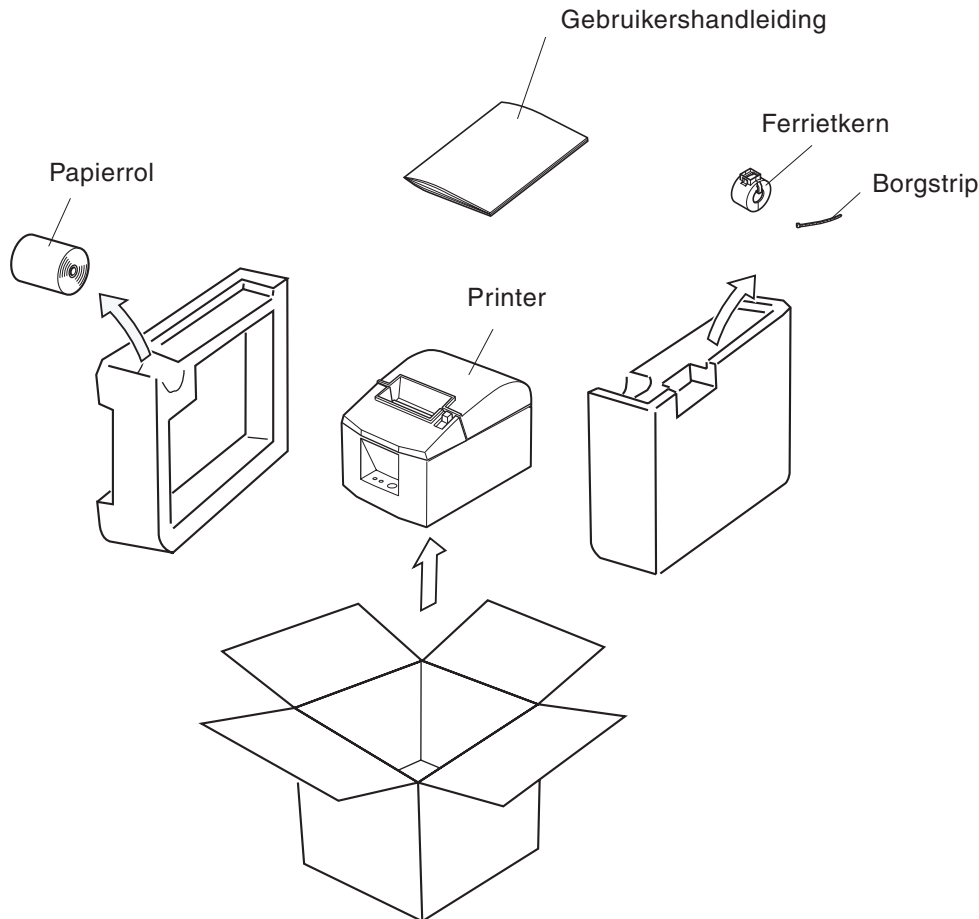
*In verband met de veiligheid mag bedrading waar mogelijk spanning op staat niet op de connector worden aangesloten.*

---



## Uitpakken

- ✓ Printer
- ✓ Gebruikershandleiding
- ✓ Papierrol
- ✓ Ferriekern (alleen bij model met parallelle interface)
- ✓ Borgstrip (alleen bij model met parallelle interface)



## Kies een geschikte plaats voor de printer

Denk, voordat u met uitpakken begint, even rustig na over de plaats waar de printer gebruikt zal worden. Houd daarbij rekening met de volgende punten.

- ✓ Kies een stevig en effen oppervlak waar de printer niet blootstaat aan trillingen.
- ✓ Het stopcontact dat u wilt gebruiken moet zich dicht bij de printer bevinden en gemakkelijk bereikbaar zijn.
- ✓ Zorg met het oog op de aansluiting dat de printer niet te ver uit de buurt van de hostcomputer staat.
- ✓ Stel de printer niet bloot aan direct zonlicht.
- ✓ Zorg voor voldoende afstand tussen de printer en verwarmingstoestellen of andere warmtebronnen.
- ✓ Houd de omgeving van de printer schoon, droog en stofvrij.
- ✓ Sluit de printer aan op een betrouwbaar stopcontact. Kies geen groep waarop ook kopieermachines, koelkasten of andere apparaten zijn aangesloten die spanningspieken kunnen veroorzaken.
- ✓ Gebruik de printer niet in een ruimte die erg vochtig kan worden.

## Verbruiksartikelen

Zie onderstaande tabel voor aanvulling van verbruiksartikelen. Let erop dat de in de tabel genoemde netadapter wordt gebruikt.

Gebruik van andere dan in de tabel genoemde verbruiksartikelen of netadapter kan beschadiging van de printer, brand of een elektrische schok tot gevolg hebben.

### (1) Specificatie papierrol

Thermisch papier

Dikte: 65~85  $\mu\text{m}$

Breedte: 79,5 $\pm$ 0.5 mm (57,5 $\pm$ 0,5 mm bij gebruik van optionele papierrolhouder)

Buitendiameter papierrol:  $\varnothing$ 90 mm of minder

Buiten/binnendiameter kern

Papierdikte	Buitenzijde kern	Binnenzijde kern
65~85 $\mu\text{m}$	$\varnothing$ 18 $\pm$ 1 mm	$\varnothing$ 12 $\pm$ 1 mm

Bedrukt oppervlak: Buitenrand rol

Behandeling einde papierrol: Gebruik geen lijm om de papierrol op de kern vast te zetten.

Vouw het einde van het papier niet om.

### (2) Aanbevolen papier

Mitsubishi Paper Mills Limited

P220AG (normaal papier), 65  $\mu\text{m}$  (dikte)

HP220A (papier met hoge afbeeldingsstabiliteit), 65  $\mu\text{m}$  (dikte)

HP220AB-1 (papier met hoge afbeeldingsstabiliteit), 75  $\mu\text{m}$  (dikte)

P220AB (normaal papier, kaart), 85  $\mu\text{m}$  (dikte)

**PB670 (2-kleuren papier: rood en zwart), 75  $\mu\text{m}$  (dikte)**

PB770 (2-kleuren papier: blauw en zwart), 75  $\mu\text{m}$  (dikte)

Oji Paper Co., Ltd.

PD150R (normaal papier), 75  $\mu\text{m}$  (dikte)

PD160R (papier met hoge afbeeldingsstabiliteit), 65/75  $\mu\text{m}$  (dikte)

PD750R (2-kleuren papier: rood en zwart), 75  $\mu\text{m}$  (dikte)

PD700R (2-kleuren papier: blauw en zwart), 75  $\mu\text{m}$  (dikte)

Nippon Paper Industries

TF50KS-E2C (normaal papier), 65  $\mu\text{m}$  (dikte)

Kanzaki Specialty Papers Inc. (KSP)

P320RB (2-kleuren papier: rood en zwart), 65  $\mu\text{m}$  (dikte)

P320BB (2-kleuren papier: blauw en zwart), 65  $\mu\text{m}$  (dikte)

Afhankelijk van het type en de dikte van het papier kan het nodig zijn de instellingen voor contrast bij afdrucken te wijzigen. Met de opdracht <Esc><RS> 'd' n kunt u het contrast instellen. Zie de afzonderlijke programmeerhandleiding voor bijzonderheden.

## Optionele netadapter aansluiten

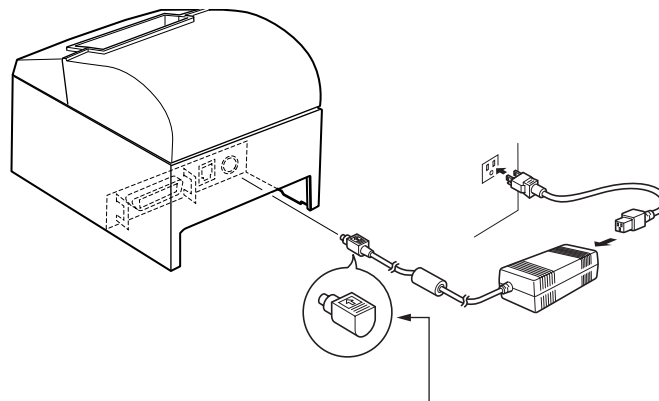
**N.B.:** Als u de netadapter gaat aansluiten of losmaken moet u eerst de voeding van de printer en alle daarop aangesloten apparaten uitschakelen. Maak ook de voedingskabel los.

(1) Sluit de voedingskabel op de netadapter aan.

**N.B.:** Gebruik alleen de standaard netadapter en voedingskabel.

(2) Sluit de netadapter aan op de printerconnector.

(3) Steek de stekker van de voedingskabel in een stopcontact.

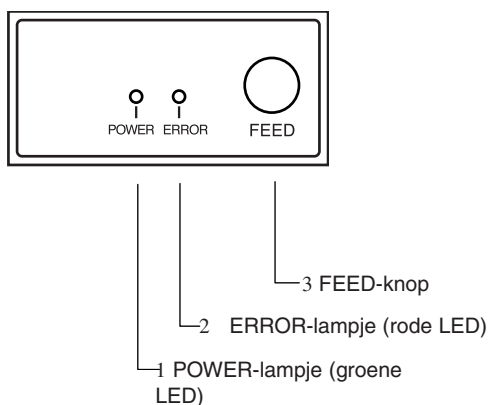


### **Belangrijk!**

Trek aan de kabelconnector als u de kabel wilt losmaken. Door de vergrendeling vrij te maken kunt u de connector gemakkelijk lostrekken.

Als u te hard aan de kabel trekt, kunt u de connector beschadigen.

## Bedieningspaneel

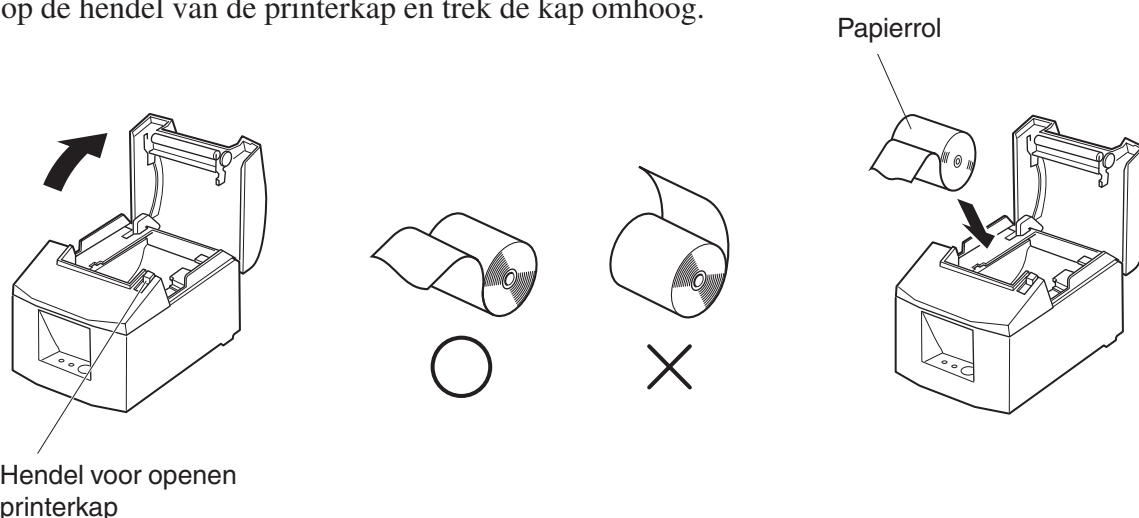


- 1 POWER-lampje (groene LED)  
Brandt wanneer de voeding is INGESCHAKELD
- 2 ERROR-lampje (rode LED)  
Signaleert diverse fouten in combinatie met het POWER-lampje
- 3 FEED-knop  
Druk op deze knop om papier door te voeren.

## Papierrol plaatsen

Gebruik alleen papierrollen die voldoen aan de printerspecificatie.

Voor een papierrol met een breedte van 57,5 mm moet u de optionele papierrolhouder bevestigen. Druk op de hendel van de printerkap en trek de kap omhoog.



Let op de richting van de rol, plaats het papier in de daarvoor bedoelde ruimte en trek het papieruiteinde naar u toe.

## Papierstoring verhelpen

Papierstoringen kunt u als volgt verhelpen.

(1) Schakel de printer uit met de voedingsschakelaar.

(2) Trek aan de hendel voor het openen van de printerkap.

Als u de kap van een printer met een automatisch snijsysteem niet kunt openen, dan staat dat systeem niet in de ruststand. Gebruik dan de instructies in het volgende hoofdstuk om het geblokkeerde snijsysteem in de ruststand te zetten. Open dan de printerkap nadat het vastgelopen papier is verwijderd.

(3) Verwijder het vastgelopen papier.

**N.B.:** Voorkom schade aan de printer tijdens het verwijderen van vastgelopen papier. Vooral de thermische kop is kwetsbaar. Zorg dat u die niet aanraakt.

(4) Plaats de papierrol recht en druk de printerkap voorzichtig dicht.

**N.B. 1:** Zorg dat de papierrol recht zit. Als deze scheef zit bij het sluiten van de printerkap, kan een papierstoring optreden.

**N.B. 2:** Sluit de printerkap door deze aan beide zijden omlaag te drukken. Probeer hem niet te sluiten door in het midden te drukken. Mogelijk wordt de kap dan niet goed vergrendeld.

(5) Schakel de printer in met de voedingsschakelaar. Ga na of het ERROR-lampje uit is.

**N.B.:** Als dit lampje brandt, accepteert de printer geen opdrachten, zoals die voor afdrukken. Zorg dus dat de printerkap goed vergrendeld is.

## Blokkering van snijsysteem opheffen (alleen bij model met snijsysteem)

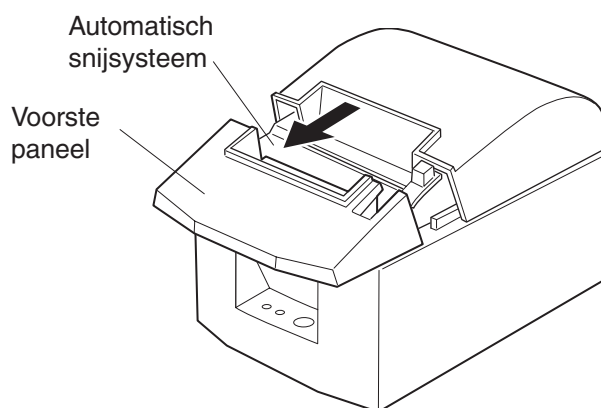
Als het snijsysteem blokkeert of niet snijdt, voer dan de volgende stappen uit.

### **Let op**

*Schakel eerst de printer uit, want werk aan het snijsysteem kan gevaar opleveren.*

- (1) Schakel de printer uit met de voedingsschakelaar.
- (2) Schuif het voorste paneel naar u toe, zodat het snijsysteem bereikbaar wordt.
- (3) Verwijder het vastgelopen papier.

**N.B.:** Voorkom schade aan de printer tijdens het verwijderen van vastgelopen papier. Vooral de thermische kop is kwetsbaar. Zorg dat u die niet aanraakt.



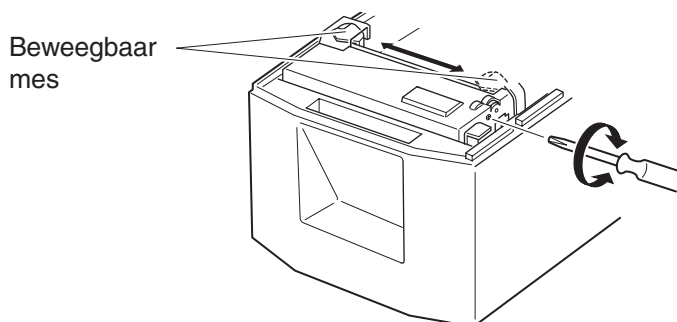
- (4) Als het bewegende mes van het snijsysteem uitsteekt, verdraai dan met een kruiskopschroevendraaier het schroefje, zodat u dit mes in de ruststand kunt zetten.

Het bewegende mes staat in de ruststand als het controlevenster helemaal wit is.

**N.B. 1:** Druk nooit extreem krachtig op het beweegbare mes.

**N.B. 2:** Als het bewegende mes te ver uitsteekt, dan kunt u de printerkap niet openen. Probeer u dat toch, dan bestaat de kans op beschadiging van het snijsysteem.

- (5) Open de printerkap, verwijder vastgelopen papier en breng de papierrol weer aan.
- (6) Sluit de printerkap en schakel daarna de printer in.



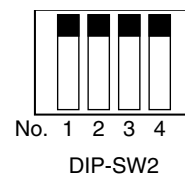
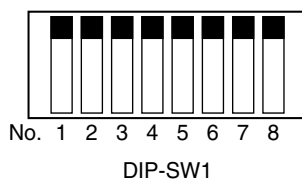
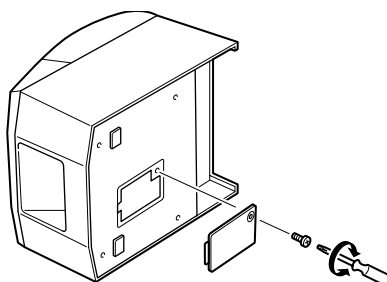
## Thermische kop reinigen

Als er zwart stof op het oppervlak van de thermische kop is opgehoopt, kunt u dit verwijderen met isopropylalcohol (IPA).

**N.B.:** De thermische kop is vrij kwetsbaar. Reinig deze daarom met een zachte doek. Zorg dat u bij het reinigen geen krassen veroorzaakt.



# Instellingen DIP-schakelaars - Parallele interface



## DIP-SW 1

Schakelaar 1-1	Oprachtemulatie
AAN	Star-modus
UIT	ESC/POS-modus

Bij een model met automatisch snijsysteem zijn alle DIP-schakelaars door de fabrikant in de stand AAN gezet. Bij een model met scheurrand staat schakelaar 1-3 in de stand UIT en alle andere schakelaars in de stand AAN.

### (1) Star-modus

Schak.	Functie	AAN	UIT
1-1	Oprachtemulatie	Altijd AAN	
1-2	Niet wijzigen (moet zijn ingeschakeld)		
1-3	Automatisch snijsysteem	Geldig	Ongeldig
1-4	Sensoraanpassing	Ongeldig	Geldig
1-5	Pen 31 (INIT) resetsignaal	Geldig	Ongeldig
1-6	Voorwaarden handshaking (voorwaarden voor BUSY)	Offline of ontvangst- buffer vol	Ontvangstbuffer vol
1-7	Automatische status retour-functie	Ongeldig	Geldig
1-8	Niet wijzigen (moet zijn ingeschakeld)		

### (2) ESC/POS-modus

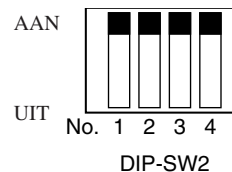
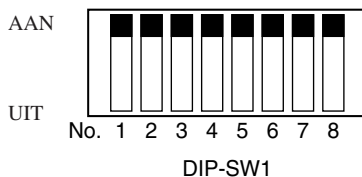
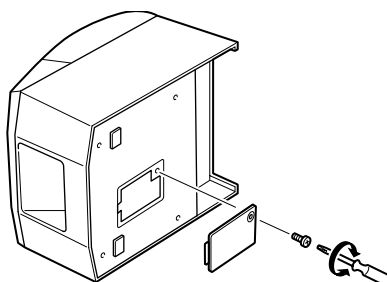
Schak.	Functie	AAN	UIT
1-1	Oprachtemulatie	Altijd UIT	
1-2	Grafische aanpassing	203 DPI	180 DPI
1-3	Automatisch snijsysteem	Geldig	Ongeldig
1-4	Sensoraanpassing	Ongeldig	Geldig
1-5	Pen 31 (INIT) resetsignaal	Geldig	Ongeldig
1-6	Voorwaarden handshaking (voorwaarden voor BUSY)	Offline of ontvangst- buffer vol	Ontvangstbuffer vol
1-7	Automatische status retour-functie	Ongeldig	Geldig
1-8	Niet wijzigen (moet zijn ingeschakeld)		

## DIP-SW 2

Schak.	Functie	AAN	UIT
2-1	Altijd AAN	Moet zijn ingeschakeld	
2-2			
2-3			
2-4			

De fabrieksinstelling van alle DIP-schakelaars is AAN.

# Instellingen DIP-schakelaars - Seriële interface



## DIP-SW 1

Schakelaar 1-1	Oprachtemulatie
AAN	Star-modus
UIT	ESC/POS-modus

Bij een model met automatisch snijsysteem zijn alle DIP-schakelaars door de fabrikant in de stand AAN gezet. Bij een model met scheurrand staat schakelaar 1-3 in de stand UIT en alle andere schakelaars in de stand AAN.

### (1) Star-modus

Schak.	Functie	AAN	UIT
1-1	Oprachtemulatie	Altijd AAN	
1-2	Niet wijzigen (moet zijn ingeschakeld)		
1-3	Automatisch snijsysteem	Geldig	Ongeldig
1-4	Sensoraanpassing	Ongeldig	Geldig
1-5	Niet wijzigen (moet zijn ingeschakeld)		
1-6	Voorwaarden handshaking (voorwaarden voor BUSY)	Offline of ontvangst- buffer vol	Ontvangstbuffer vol
1-7	Automatische status retour-functie	Ongeldig	Geldig
1-8	Niet wijzigen (moet zijn ingeschakeld)		

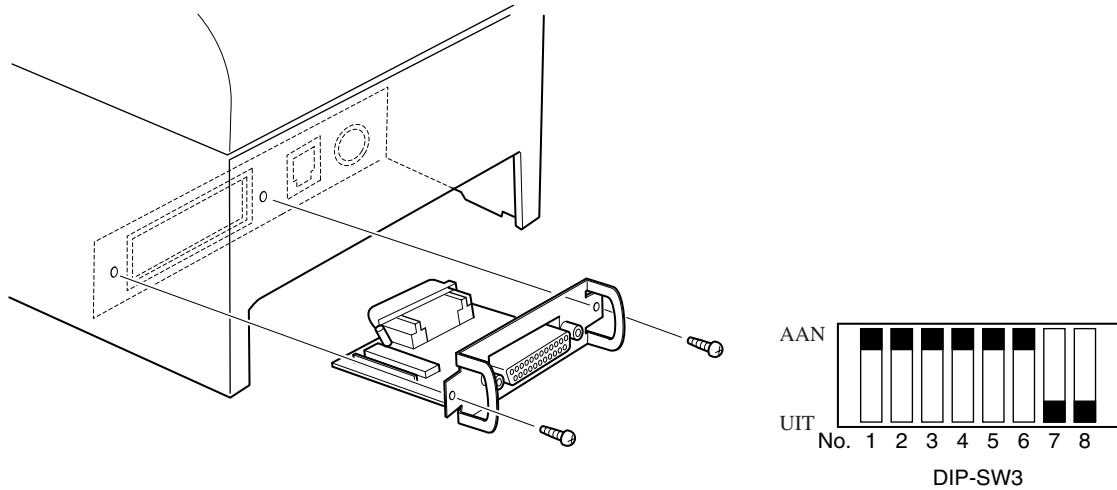
### (2) ESC/POS-modus

Schak.	Functie	AAN	UIT
1-1	Oprachtemulatie	Altijd UIT	
1-2	Grafische aanpassing	203 DPI	180 DPI
1-3	Automatisch snijsysteem	Geldig	Ongeldig
1-4	Sensoraanpassing	Ongeldig	Geldig
1-5	Niet wijzigen (moet zijn ingeschakeld)		
1-6	Voorwaarden handshaking (voorwaarden voor BUSY)	Offline of ontvangst- buffer vol	Ontvangstbuffer vol
1-7	Automatische status retour-functie	Ongeldig	Geldig
1-8	Niet wijzigen (moet zijn ingeschakeld)		

## DIP-SW 2

Schak.	Functie	AAN	UIT
2-1	Altijd AAN	Moet zijn ingeschakeld	
2-2			
2-3			
2-4			

De fabrieksinstelling van alle DIP-schakelaars is AAN.



### DIP-SW 3

Schak.	Functie	AAN	UIT
3-1	Baud	Zie onderstaande tabel	
3-2			
3-3	Datalengte	8 bits	7 bits
3-4	Pariteitscontrole	Uitgeschakeld	Ingeschakeld
3-5	Pariteit	Oneven	Even
3-6	Handshake	DTR/DSR	XON/XOFF
3-7	Pen 6 (DSR) resetsignaal	Geldig	Ongeldig
3-8	Pen 25 (INIT) resetsignaal	Geldig	Ongeldig

Baud	Schakelaar 3-1	Schakelaar 3-2
4800 bps	UIT	AAN
9600 bps	AAN	AAN
19200 bps	AAN	UIT

De fabrieksinstelling van alle DIP-schakelaars is AAN, behalve bij schakelaars 7 en 8.

## Specificaties

Afdrukmethode	Thermische regelprinter
Dots per inch	203 dpi x 203 dpi (8 dots/mm)
Afdrukrichting	Eén richting met frictiedoorvoer
Afdrukbreedte	Max. 72 mm (576 dots)
Tekens per regel (std.)	Lettertype A: 48, Lettertype B: 64
Ruimte tussen tekens (std.)	0 dots
Tekengrootte	Lettertype A: 1,5 x 3,0 mm Lettertype B: 1,125 x 3,0 mm
Tekenset	Alfanumerieke tekens: 95 Internationale tekens: 32 Externe afbeeldingen: 128 x 40 pagina's
Afdruksnelheid	Max. 100 mm/s
Regelafstand	3 mm / 4 mm
Tekenstructuur	Lettertype A: 12 x 24 Lettertype B: 9 x 24
Interfaces	RS232C / IEEE1284 / USB / Ethernet
Grootte ingangsbuffer	8k / 64 bytes
MCBF	60 miljoen regels (gebaseerd op een gemiddelde dekking van 12,5% bij papierdikte van 65 $\mu$ m)
Levensduur mes	0,5 miljoen (papierdikte 65-85 $\mu$ m)
Temperatuur	In bedrijf: 5 tot 45 °C Tijdens opslag: -20 tot 60 °C
Relatieve luchtvochtigheid	In bedrijf: 10% tot 90% (geen condens) Tijdens opslag: 10% tot 90% (geen condens)
Afmetingen	142 x 199 x 132 (B x D x H mm)
Gewicht	Circa 1,4 kg

## Opties

- (1) Set voor wandmontage (WB-T600)
- (2) Set met verticale printersteun (VS-T600)
- (3) Set met USB-interfacekaart (IFBD-HU04)
- (4) Set met parallelle interfacekaart (IFBD-HC04)
- (5) Set met 25-pens RS-232-interfacekaart (IFBD-HD04)
- (6) Set met 9-pens RS-232C-interfacekaart (IFBD-HN04)
- (7) Set met Ethernet-interfacekaart (IFBD-HE04)

Ga naar het volgende Internet-adres

[http://www.star-micronics.co.jp/service/frame\\_sp\\_spr\\_e.htm](http://www.star-micronics.co.jp/service/frame_sp_spr_e.htm)

voor de nieuwste printerstuurprogramma's en hulpprogramma's.

***TERMALNI PISAČ***  
**TSP600 SERIES**  
***KORISNIČKI PRIRUČNIK***



**Federalni odbor za komunikacije**  
**Izjava o smetnjama na radijskim frekvencijama**

Ovaj je uređaj ispitao te je utvrđeno da udovoljava ograničenjima za digitalne uređaje Klase A, u skladu s Odjeljkom 15 propisa Federalnog odbora. Ova su ograničenja definirana kako bi se ostvarila razumna razina zaštite od štetnih smetnji pri upotrebi uređaja u komercijalnim okruženjima. Ovaj uređaj stvara, upotrebljava i zrači radiofrekvencijsku energiju te, ako nije instaliran i korišten u skladu s uputom za upotrebu, može uzrokovati štetne smetnje u radijskim komunikacijama. Upotreba ovog uređaja u stambenim područjima vjerojatno će uzrokovati štetne smetnje, u kojem slučaju od korisnika može biti zatraženo da izvor smetnji otkloni o vlastitom trošku.

Za udovoljavanje federalnim standardima za emisiju šuma ovaj uređaj zahtijeva upotrebu oklopljenog kabela.

*Ova se izjava odnosi samo na pisače koji se prodaju na tržištu Sjedinjenih Američkih Država.*

**Izjava o propisima o radijskim smetnjama kanadskog Ministarstva komunikacija**

Ovaj digitalni uređaj ne prelazi ograničenja emisije radijskog šuma za digitalne uređaje Klase A definirana Propisima o radijskim smetnjama kanadskog Ministarstva komunikacija.

Le présent appareil numérique n'émet pas de bruits radioélectriques dépassant les limites applicables aux appareils numériques de la classe A prescrites dans le Règlement sur le brouillage radioélectrique édicté par le ministère des Communications du Canada.

*Navedena se izjava odnosi samo na pisače koji se prodaju na kanadskom tržištu.*

**CE**

**Proizvođačka deklaracija o udovoljavanju standardima**

**EC Council Directive 89/336/EEC od 3. svibnja 1989.**

Ovaj je proizvod projektiran i proizveden u skladu s međunarodnim standardima EN 61000-6-3/10.2001 i EN 55024/09.98 i uz pridržavanje odredbi naputka Electro Magnetic Compatibility Directive, važećeg u Europskoj zajednici od svibnja 1989. godine.

**EC Council Directive 73/23/EEC i 93/68/EEC od 22. srpnja 1993.**

Ovaj je proizvod projektiran i proizveden u skladu s međunarodnim standardima EN 60950 i uz pridržavanje odredbi naputka Low Voltage Directive, važećeg u Europskoj zajednici od srpnja 1993. godine.

*Navedena se izjava odnosi samo na pisače koji se prodaju na tržištu Europske zajednice.*

**Tržišni znaci i njihovi vlasnici**

**TSP600:** Star Micronics Co., Ltd.

**ESC/POS:** Seiko Epson Corporation

**Napomena**

- Sva prava pridržana. Reprodukcija bilo kojeg dijela ovog priručnika u bilo kojem obliku nije dopuštena bez izričitog odobrenja tvrtke STAR.
- Sadržaj ovog priručnika podložan je izmjenama bez prethodne najave.
- Uloženi su maksimalni naponi kako bi se osigurala točnost sadržaja ovog priručnika u trenutku njegovog tiska. Ako u njemu ipak otkrijete bilo kakvu pogrešku, tvrtka STAR bila bi vrlo zahvalna da je o tome obavijestite.
- Uzimajući u obzir sve navedeno, STAR ne prihvaća bilo kakvu odgovornost za bilo koju pogrešku koja se može pojaviti ovom priručniku.

© Copyright 2003 Star Micronics Co., LTD.

## Sigurnosne informacije

---

***Važno!***

*Prije povezivanja pisača s računalom uvjerite se da su oba uređaja isključena te da je pisac odspojen od naponske utičnice.*

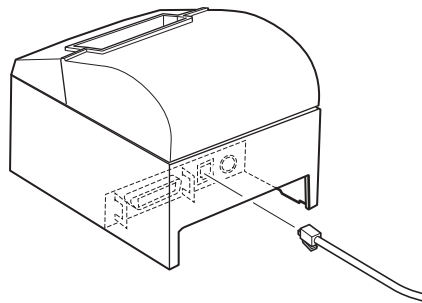
---

***Važno!***

*Na priključnicu za periferne uređaje ne priključujte telefonsku liniju. Ne budete li se pridržavali ove upute, možete oštetiti pisac.*

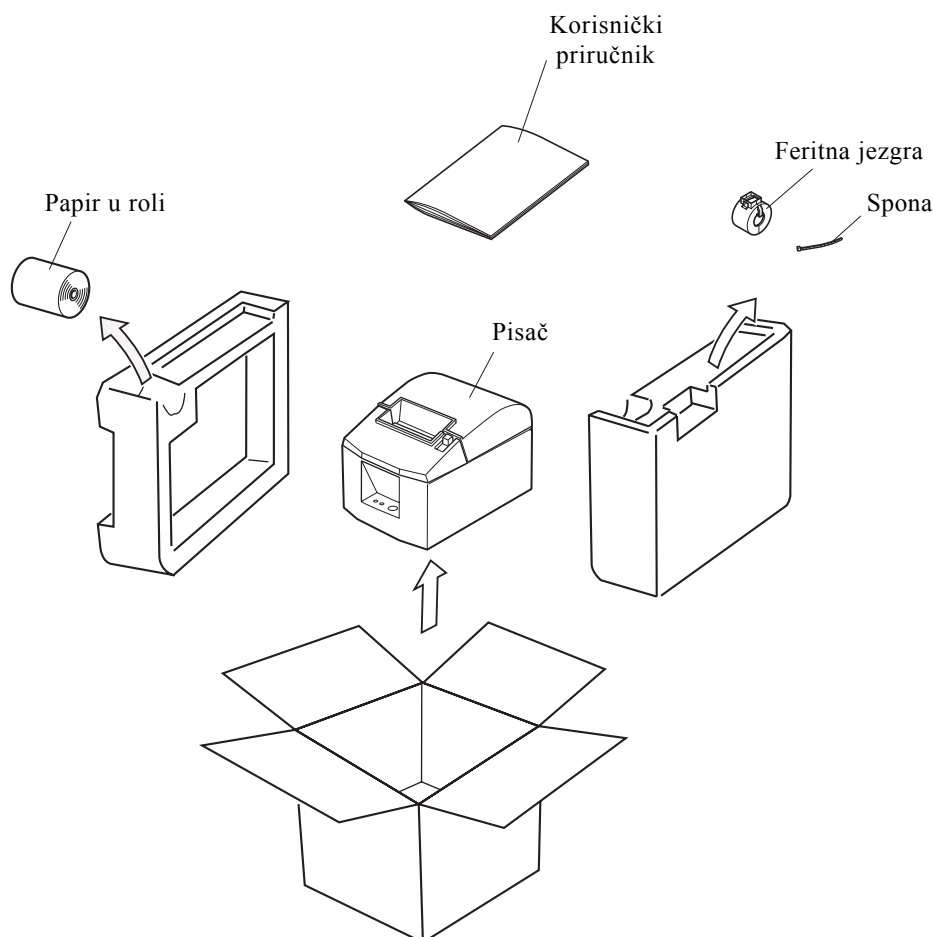
*Također, iz sigurnosnih razloga na priključnicu za vanjske uređaje ne priključujte kabel ako postoji mogućnost da kabel nosi određeni periferni napon.*

---



## Uklanjanje ambalaže

Pisač  
Korisnički priručnik  
Papir u roli  
Feritna jezgra (samo kod modela s paralelnim sučeljem)  
Spona (samo kod modela s paralelnim sučeljem)



## Odabir mjesta za pisač

Prije nego što doista raspakirate pisač, nekoliko minuta razmislite o tome gdje ga namjeravate koristiti. Pritom imajte u vidu sljedeće smjernice.

Odaberite čvrstu i ravnu plohu na kojoj pisač neće biti izložen vibracijama.

Napajačka utičnica koju namjeravate koristiti trebala bi se nalaziti u blizini i biti lako dostupna.

Uvjerite se da se pisač nalazi dovoljno blizu računala s kojim ga želite povezati.

Uvjerite se da pisač nije izložen izravnom sunčevom svjetlu.

Uvjerite se da je pisač dovoljno odmaknut od radijatora i drugih snažnih izvora topline.

Uvjerite se da je okolno područje čisto i suho te da nije prašnjavo.

Uvjerite se da je pisač priključen na pouzdanu napajajuću utičnicu. Na istu utičnicu ne bi smjeli biti priključeni fotokopirni uređaji, hladnjaci ili drugi uređaji koji mogu uzrokovati snažne strujne impulse.

Uvjerite se da prostorija u kojoj koristite pisač nije suviše vlažna.



## Potrošni materijal

Kad vam ponestane potrošnog materijala, nabavite materijal u skladu s dolje navedenim specifikacijama. Obavezno upotrebljavajte istosmjerni ispravljač naveden u tablici. Upotreba potrošnog materijala ili ispravljača koji nisu navedeni u priloženoj tablici može uzrokovati oštećenje pisača, požar ili strujni udar.

### (1) Specifikacije za papir u roli

Termalni papir

Debljina: 65~85  $\mu\text{m}$

Širina: 79,5 $\pm$ 0,5 mm (57,5 $\pm$ 0,5 mm kad se koristi neobavezni držač role papira)

Vanjski promjer role:  $\phi$  90 mm ili manje

Vanjski/unutarnji promjer nosivog valjka

**Debljina papira**

65~85  $\mu\text{m}$

**Vanjski promjer**

$\phi$  18 $\pm$ 1 mm

**Unutarnji promjer**

$\phi$  12 $\pm$ 1 mm

Ispisna površina: vanjska strana role

Rukovanje stražnjim krajem papira u roli: Papir ne pričvršćujte za rolu pastom ili ljepljom.

Ne savijajte stražnji kraj papira u roli.

### (2) Preporučeni papir

Mitsubishi Paper Mills Limited

P220AG (standardni papir), 65  $\mu\text{m}$  (debljina)

HP220A (papir za postojanost slika), 65  $\mu\text{m}$  (debljina)

HP220AB-1 (papir za postojanost slika), 75  $\mu\text{m}$  (debljina)

P220AB (standardni deblji papir, kartice), 85  $\mu\text{m}$  (debljina)

PB670 (dvobojni papir: crveni i crni), 75  $\mu\text{m}$  (debljina)

PB770 (dvobojni papir: plavi i crni), 75  $\mu\text{m}$  (debljina)

Oji Paper Co., Ltd.

PD150R (standardni papir), 75  $\mu\text{m}$  (debljina)

PD160R (papir za postojanost slika), 65/75  $\mu\text{m}$  (debljina)

PD750R (dvobojni papir: crveni i crni), 75  $\mu\text{m}$  (debljina)

PD700R (dvobojni papir: plavi i crni), 75  $\mu\text{m}$  (debljina)

Nippon Paper Industries

TF50KS-E2C (standardni papir), 65  $\mu\text{m}$  (debljina)

Kanzaki Specialty Papers Inc. (KSP)

P320RB (dvobojni papir: crveni i crni), 65  $\mu\text{m}$  (debljina)

P320BB (dvobojni papir: plavi i crni), 65  $\mu\text{m}$  (debljina)

Ovisno o vrsti i debljini papira, možda bude potrebno izmijeniti postavke za tamnoću ispisa. Da biste izmijenili postavke tamnoće, upotrijebite naredbu za dotjerivanje tamnoće ispisa <ESC><RS> 'd' n. Za dodatne informacije pogledajte priručnik za programiranje.

## Spajanje neobaveznog istosmjernog ispravljača

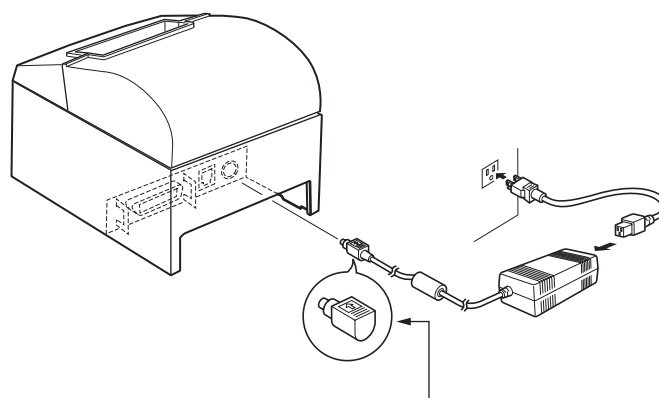
**Opaska:** Prije spajanja/odspajanja istosmjernog ispravljača, uvjerite se da je isključeno napajanje pisača, kao i svi drugi uređaji priključeni na pisač. Također se uvjerite da je priključak napajачkog kabela izvučen iz napajачke utičnice.

(1) Istosmjerni ispravljač spojite na napajачki kabel.

**Opaska:** Upotrebljavajte isključivo standardni istosmjerni ispravljač i napajачki kabel.

(2) Istosmjerni ispravljač spojite na priključnicu na pisaču.

(3) Priključak napajачkog kabela utaknite u napajачku utičnicu.

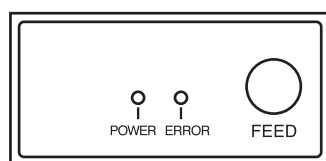


### ***Važno!***

Kad odspajate kabel, prihvatite priključni dio kabela i povucite ga. Otpuštanjem zapora priključak se može odspojiti bez napora.

Snažnim povlačenjem kabela možete oštetiti priključnicu.

## Upravljačka ploča

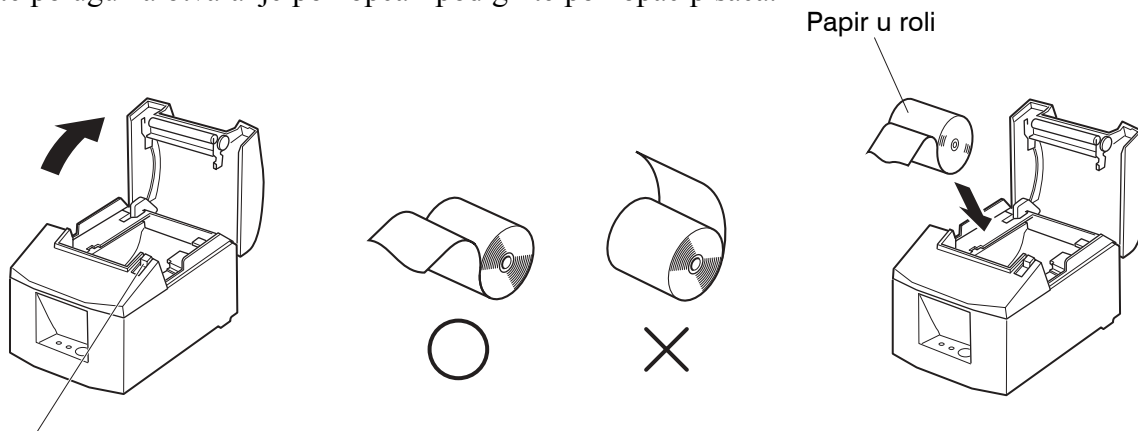


- 3 Gumb FEED
- 2 Lampica ERROR (crvena dioda)
- 1 Lampica POWER (zelena dioda)

- 1** Lampica POWER (zelena dioda)  
Pali se kad je napajanje UKLJUČENO.
- 2** Lampica ERROR (crvena dioda)  
U kombinaciji s lampicom POWER naznačuje različite pogreške.
- 3** Gumb FEED  
Za uvlačenje papira u roli pritisnite gumb FEED.

## Umetanje papira u roli

Obavezno koristite papir koji odgovara specifikacijama pisača.  
Kada koristite papir na roli širine 57,5 mm, ugradite neobavezni držač role papira.  
Gurnite polugu za otvaranje poklopca i podignite poklopac pisača.



Poluga za podizanje poklopca

Pazeći na smjer role, smjestite papir u udubljenje i povucite vodeći rub papira prema sebi.

## Uklanjanje zaglavljelog papira

Ako se papir zaglavi, uklonite ga na sljedeći način.

- (1) Prekidač napajanja stavite u položaj 'isključeno' da biste isključili napajanje pisača.
- (2) Povucite polugu prema sebi da biste podigli poklopac pisača.  
Ako na modelima s automatskim rezačima ne možete podići poklopac, to znači da rezač nije u neutralnom položaju. U tom slučaju vratite automatski rezač u neutralni položaj slijedeći upute iz sljedećeg odjeljka. Kad uklonite zaglavljenu papir, vratite poklopac na mjesto.
- (3) Uklonite zaglavljenu papir.  
**Opaska:** Pazite da prilikom uklanjanja zaglavljelog papira ne oštetite pisač. Budući da se termalna glava može vrlo lako oštetiti, pazite da je ne dotaknete.
- (4) Ispravite papir u roli i nježno spustite poklopac pisača.  
**Opaska 1:** Uvjerite se da papir stoji ravno. Ako spustite poklopac pisača dok je papir nakrivljen, može doći do zaglavljivanja papira.  
  
**Opaska 2:** Fiksirajte poklopac pisača tako da ga pritisnete sa strana. Ne pokušavajte ga zatvoriti pritiskom na sredini. Na taj se način poklopac možda neće pravilno zaglaviti na mjesto.
- (5) Prekidač napajanja stavite u položaj 'uključeno' da biste uključili napajanje pisača. Uvjerite se da se dioda ERROR nije upalila.  
**Opaska:** Dok je dioda ERROR upaljena, pisač ne prihvaća niti jednu naredbu, kao npr. naredbu za ispis, stoga se uvjerite da je poklopac pisača pravilno spušten.

## Oslobađanje zaglavljenog rezača (samo model s automatskim rezačem)

Ako se automatski rezač zaglavi ili ne uspijeva prerezati papir, slijedite ovdje navedene korake.

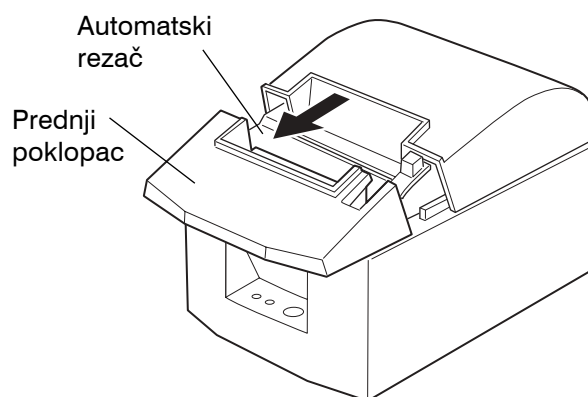
### **Oprez**

Rad s rezačem može biti opasan, stoga najprije isključite napajanje pisača.

- (1) Prekidač napajanja stavite u položaj 'isključeno' da biste isključili napajanje pisača.
- (2) Klizanjem uklonite prednji poklopac da biste mogli pristupiti rezaču.
- (3) Uklonite zaglavljeni papir.

**Opaska:** Pazite da prilikom uklanjanja zaglavljenog papira ne oštetite pisač.

Budući da je termalna ispisna glava osobito osjetljiva, jako pazite da je ne dodirnete.



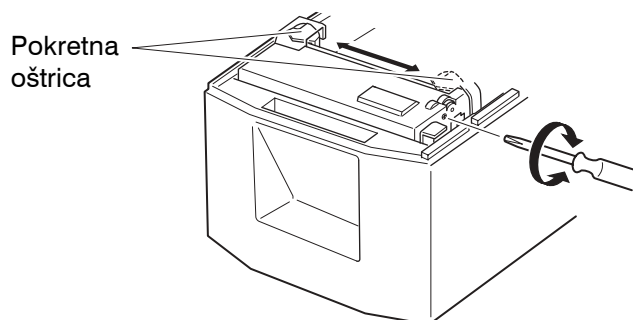
- (4) Ako je pokretna oštrica rezača istaknuta, križnim odvijačem okrenite pripadajući vijak i vratite oštricu u neutralni položaj.

Kad je kontrolni prozorčić posve bijel, pokretna oštrica je u neutralnom položaju.

**Opaska 1:** Nemojte prejako pritiskati pokretnu oštricu.

**Opaska 2:** Ako pokretna oštrica previše strši, nećete moći ukloniti poklopac pisača. Pokušajima da skinete poklopac možete oštetiti rezač.

- (5) Uklonite poklopac pisača i zaglavljeni papir, te ponovo umetnite rolu.
- (6) Vratite poklopac, a zatim prekidač stavite u položaj UKLJUČENO.

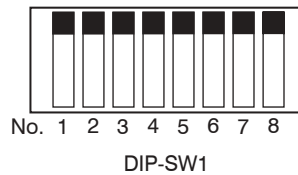
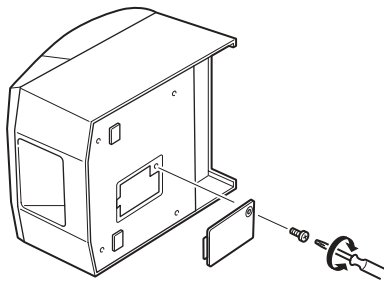


## Čišćenje termalne glave

Da biste uklonili crnu prašinu koja se nakuplja na površini termalne glave, obrišite je izopropilnim alkoholom.

**Opaska:** Termalna se glava lako oštećuje, stoga je morate čistiti nježno i mekom krpom. Pazite da ne zagrebete glavu dok je čistite.

# Postavke Dip prekidača – model s paralelnim sučeljem



## DIP-SW 1

Prekidač 1-1	Emulacija naredbenog jezika
UKLJUČEN	Način rada Star
ISKLJUČEN	Način rada ESC/POS

Na modelu s automatskim rezačima svi su DIP-prekidači tvornički postavljeni na 'uključeno'. Na modelu s dodatkom za otkidanje prekidač 1-3 postavljen je na 'isključeno', a ostali na 'uključeno'.

### (1) Način rada Star

Prekidač	Funkcija	UKLJUČEN	ISKLJUČEN
1-1	Emulacija naredbenog jezika	Uvijek UKLJUČENA	
1-2	Ne smije se mijenjati (treba biti postavljen u položaj 'uključeno')		
1-3	Automatski rezač	Važeći	Nevažeći
1-4	Prilagodba senzora	Nevažeća	Važeća
1-5	Signal poništenja za nožicu br. 31 (INIT)	Važeći	Nevažeći
1-6	Stanja 'handshaking' protokola (stanja pri oznaci BUSY)	Offline ili je ulazni međuspremnik pun	Ulazni međuspremnik je pun
1-7	Funkcija automatskog vraćanja statusa	Nevažeća	Važeća
1-8	Ne smije se mijenjati (treba biti postavljen u položaj 'uključeno')		

### (2) Način rada ESC/POS

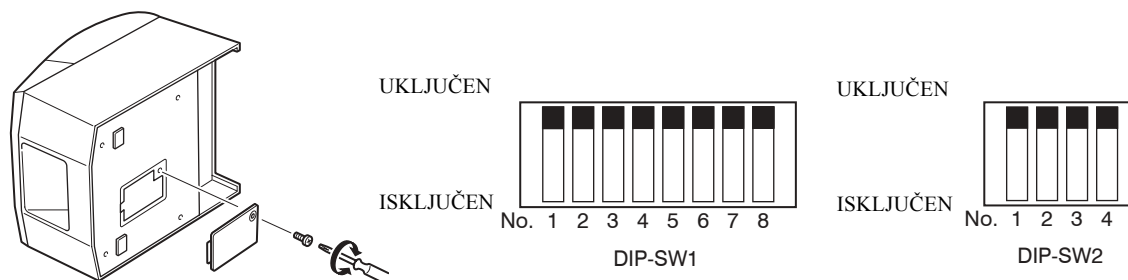
Prekidač	Funkcija	UKLJUČEN	ISKLJUČEN
1-1	Emulacija naredbenog jezika	Uvijek ISKLJUČENA	
1-2	Grafička razlučivost	203 TPI	180 TPI
1-3	Automatski rezač	Važeći	Nevažeći
1-4	Prilagodba senzora	Nevažeća	Važeća
1-5	Signal poništenja za nožicu br. 31 (INIT)	Važeći	Nevažeći
1-6	Stanja 'handshaking' protokola (stanja pri oznaci BUSY)	Offline ili je ulazni međuspremnik pun	Ulazni međuspremnik je pun
1-7	Funkcija automatskog vraćanja statusa	Nevažeća	Važeća
1-8	Ne smije se mijenjati (treba biti postavljen u položaj 'uključeno')		

## DIP-SW 2

Prekidač	Funkcija	UKLJUČEN	ISKLJUČEN
2-1	Uvijek UKLJUČENI	Trebaju biti postavljeni u položaj 'uključeno'	
2-2			
2-3			
2-4			

U tvorničkoj su postavi svi DIP prekidači postavljeni u položaj 'uključeno'.

# Postavke Dip prekidača – model sa serijskim sučeljem



## DIP-SW 1

Prekidač 1-1	Emulacija naredbenog jezika
UKLJUČEN	Način rada Star
ISKLJUČEN	Način rada ESC/POS

Na modelu s automatskim rezačima svi su DIP-prekidači tvornički postavljeni na 'uključeno'. Na modelu s dodatkom za otkidanje prekidač 1-3 postavljen je na 'isključeno', a ostali na 'uključeno'.

### (1) Način rada Star

Prekidač	Funkcija	UKLJUČEN	ISKLJUČEN
1-1	Emulacija naredbenog jezika	Uvijek UKLJUČENA	
1-2	Ne smije se mijenjati (treba biti postavljen u položaj 'uključeno')		
1-3	Automatski rezač	Važeći	Nevažeći
1-4	Prilagodba senzora	Nevažeća	Važeća
1-5	Ne smije se mijenjati (treba biti postavljen u položaj 'uključeno')		
1-6	Stanja 'handshaking' protokola (stanja pri oznaci BUSY)	Offline ili je ulazni međuspremnik pun	Ulazni međuspremnik je pun
1-7	Funkcija automatskog vraćanja statusa	Nevažeća	Važeća
1-8	Ne smije se mijenjati (treba biti postavljen u položaj 'uključeno')		

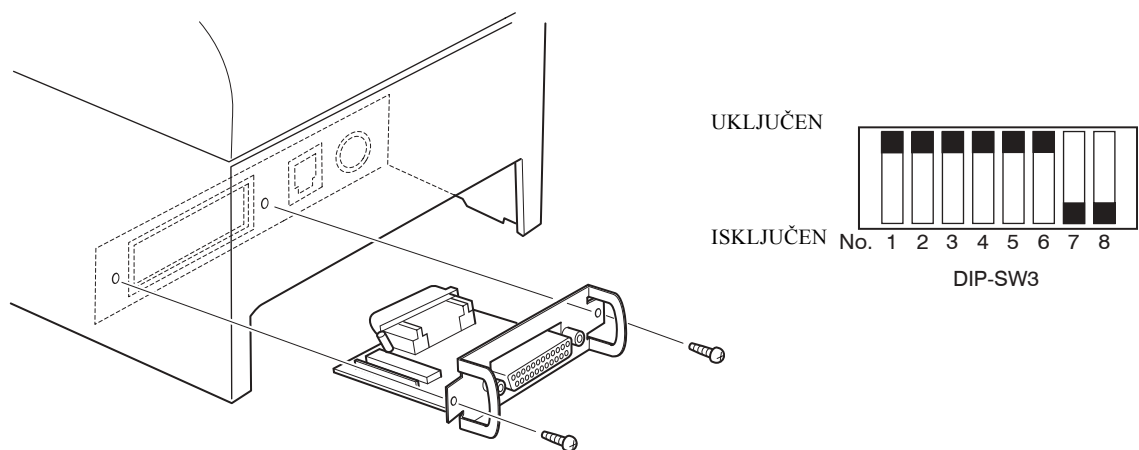
### (2) Način rada ESC/POS

Prekidač	Funkcija	UKLJUČEN	ISKLJUČEN
1-1	Emulacija naredbenog jezika	Uvijek ISKLJUČENA	
1-2	Grafička razlučivost	203 TPI	180 TPI
1-3	Automatski rezač	Važeći	Nevažeći
1-4	Prilagodba senzora	Nevažeća	Važeća
1-5	Ne smije se mijenjati (treba biti postavljen u položaj 'uključeno')		
1-6	Stanja 'handshaking' protokola (stanja pri oznaci BUSY)	Offline ili je ulazni međuspremnik pun	Ulazni međuspremnik je pun
1-7	Funkcija automatskog vraćanja statusa	Nevažeća	Važeća
1-8	Ne smije se mijenjati (treba biti postavljen u položaj 'uključeno')		

## DIP-SW 2

Prekidač	Funkcija	UKLJUČEN	ISKLJUČEN
2-1	Uvijek UKLJUČENI	Trebaju biti postavljeni u položaj 'uključeno'	
2-2			
2-3			
2-4			

U tvorničkoj su postavi svi DIP prekidači postavljeni u položaj 'uključeno'.



### DIP-SW 3

Prekidač	Funkcija	UKLJUČEN	ISKLJUČEN
3-1	Brzina komunikacije	Vidi tablicu dolje	
3-2			
3-3	Duljina podatkovnog niza	8 bita	7 bita
3-4	Provjera pariteta	Onemogućena	Omogućena
3-5	Paritet	Neparni	Parni
3-6	Handshaking protokol	DTR/DSR	XON/XOFF
3-7	Signal poništenja za nožicu br. 6 (DSR)	Važeći	Nevažeći
3-8	Signal poništenja za nožicu br. 25 (INIT)	Važeći	Nevažeći

Brzina komunikacije	Prekidač 3-1	Prekidač 3-2
4800 bita/s	ISKLJUČEN	UKLJUČEN
9600 bita/s	UKLJUČEN	UKLJUČEN
19200 bita/s	UKLJUČEN	ISKLJUČEN

U tvorničkoj su postavi svi DIP prekidači osim prekidača 7 i 8 postavljeni u položaj 'uključeno'.

## Specifikacije

Tehnologija ispisa	Termalni linijski ispis
Gustoća ispisa	203 tpi x 203 tpi (8 točaka/mm)
Smjer ispisa	Jednosmjernan ispis s uvlačenjem silom trenja
Širina ispisa	Najviše 72 mm (576 točaka)
Broj znakova po liniji (početna postava)	Font A: 48, Font B: 64
Razmak među znakovima (početna postava)	0 točaka
Veličina znakova	Font A: 1,125 x 3,0 mm Font B: 1,125 x 3,0 mm
Skup znakova	Alfanumerički znakovi: 95 Međunarodni znakovi: 32 Grafički elementi: stranice 128 x 40
Brzina ispisa	Najviše 100 mm/s
Prored	3 mm / 4 mm
Struktura znakova	Font A: 12 x 24 Font B: 9 x 24
Sučelje	RS232C / IEEE1284 / USB / Ethernet
Veličina ulaznog međuspremnik MCBF	8K / 64 bajta 60 milijuna linija (na temelju prosječne iskorištenosti od 12,5% na papiru debljine 65 $\mu$ m)
Vijek rezača	0,5 milijuna rezanja (papir debljine od 65 do 100 $\mu$ m)
Temperatura	Radna: od 5 do 45 °C Skladištenje: od -20 do 60 °C
Vlažnost	Radna: od 10 do 90% rel. vlažnosti (bez kondenzacije)
Skladištenje:	od 10 do 90% rel. vlažnosti (bez kondenzacije)
Dimenzije	142 x 199 x 132 (Š x D x V u mm)
Masa	Oko 1,4 kg

## Dodatna oprema

- (1) Komplet za zidnu montažu (WB-T600)
- (2) Komplet s postoljem (VS-T600)
- (3) Sklop ploče s USB sučeljem (IFBD-HU04)
- (4) Sklop ploče s paralelnim sučeljem (IFBD-HC04)
- (5) Sklop ploče s 25-nožičnim RS-232C sučeljem (IFBD-HD04)
- (6) Sklop ploče s 9-nožičnim RS-232C sučeljem (IFBD-HN04)
- (7) Sklop ploče s Ethernet sučeljem (IFBD-HE04)

Posjetite sljedeći URL

[http://www.star-micronics.co.jp/service/frame\\_sp\\_spr\\_e.htm](http://www.star-micronics.co.jp/service/frame_sp_spr_e.htm)  
za najnovije pogonske i pomoćne programe.



# ***ТЕРМОПРИНТЕРЫ***

**СЕРИИ TSP600**

***РУКОВОДСТВО  
ПОЛЬЗОВАТЕЛЯ***



**Федеральная комиссия по связи (FCC)  
Заявление  
о радиочастотных помехах**

Данное устройство было протестировано, и проверка показала, что оно соответствует требованиям, предъявляемым к цифровым устройствам класса А, изложенным в части 15 правил FCC. Эти требования предназначены для того, чтобы прочее оборудование было защищено от помех при работе с устройством в промышленной среде. Данное устройство генерирует, использует и может излучать радиочастотную энергию, поэтому нарушение правил настоящего руководства при установке и использовании устройства может повлечь за собой создание помех средствам радиосвязи. Работа данного устройства в жилом районе может создать радиопомехи, которые должны быть устранены за счет пользователя.

Для соответствия Федеральному стандарту по шумовым помехам в данном устройстве должен использоваться экранированный кабель.

*Настоящее заявление относится только к принтерам, продаваемым на территории США.*

**Заявление  
канадского департамента по вопросам коммуникаций  
Требования к радиопомехам**

Уровень помех, создаваемых данным цифровым устройством, не превышает предельных значений интенсивности шумового радиоизлучения для цифровых устройств, установленных в рамках требований к радиопомехам канадского департамента по вопросам коммуникаций.

Le présent appareil numérique n'émet pas de bruits radioélectriques dépassant les limites applicables aux appareils numériques de la classe A prescrites dans le Règlement sur le brouillage radioélectrique édicté par le ministère des Communications du Canada.

*Настоящее заявление относится только к принтерам, продаваемым на территории Канады.*

**СЕ  
Декларация производителя о соответствии требованиям**

**Директива Совета ЕС № 89/336/ЕЕС от 3 мая 1989 г.**

Данный продукт был разработан и изготовлен в соответствии с международными стандартами EN 61000-6-3/10.2001 и EN 55024-1/09.98 с учетом предписаний Директивы по электромагнитной совместимости Европейского экономического сообщества от мая 1989 г.

**Директивы Совета ЕС № 73/23/ЕЕС и 93/68/ЕЕС от 22 июля 1993 г.**

Данный продукт был разработан и изготовлен в соответствии с международными стандартами EN 60950 с учетом предписаний Директивы по низковольтным устройствам Европейского экономического сообщества от июля 1993 г.

*Настоящее заявление относится только к принтерам, продаваемым на территории ЕС.*

**Информация об обладателях товарных знаков**

**TSP600:** Star Micronics Co., Ltd.

**ESC/POS:** Seiko Epson Corporation

**Примечание**

- Все права защищены. Запрещается воспроизводить любую часть данного руководства в какой бы то ни было форме без явного разрешения компании STAR.
- Содержание данного руководства может быть изменено без предварительного уведомления.
- Были предприняты все меры к тому, чтобы обеспечить корректность содержания данного руководства на момент его отправки в печать. Однако компания STAR будет очень признательна за сообщения о любых ошибках, если таковые будут обнаружены.
- Несмотря на вышесказанное, компания STAR не несет никакой ответственности за любые ошибки в данном руководстве.

© Copyright 2003 Star Micronics Co., LTD.

## Информация по технике безопасности

---

### ***Важные сведения!***

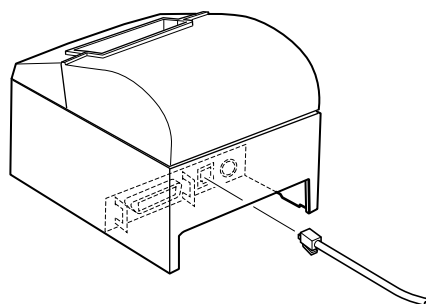
*Перед подключением устройства убедитесь, что принтер выключен и отсоединен от сети переменного тока, а также выключен компьютер.*

---

### ***Важные сведения!***

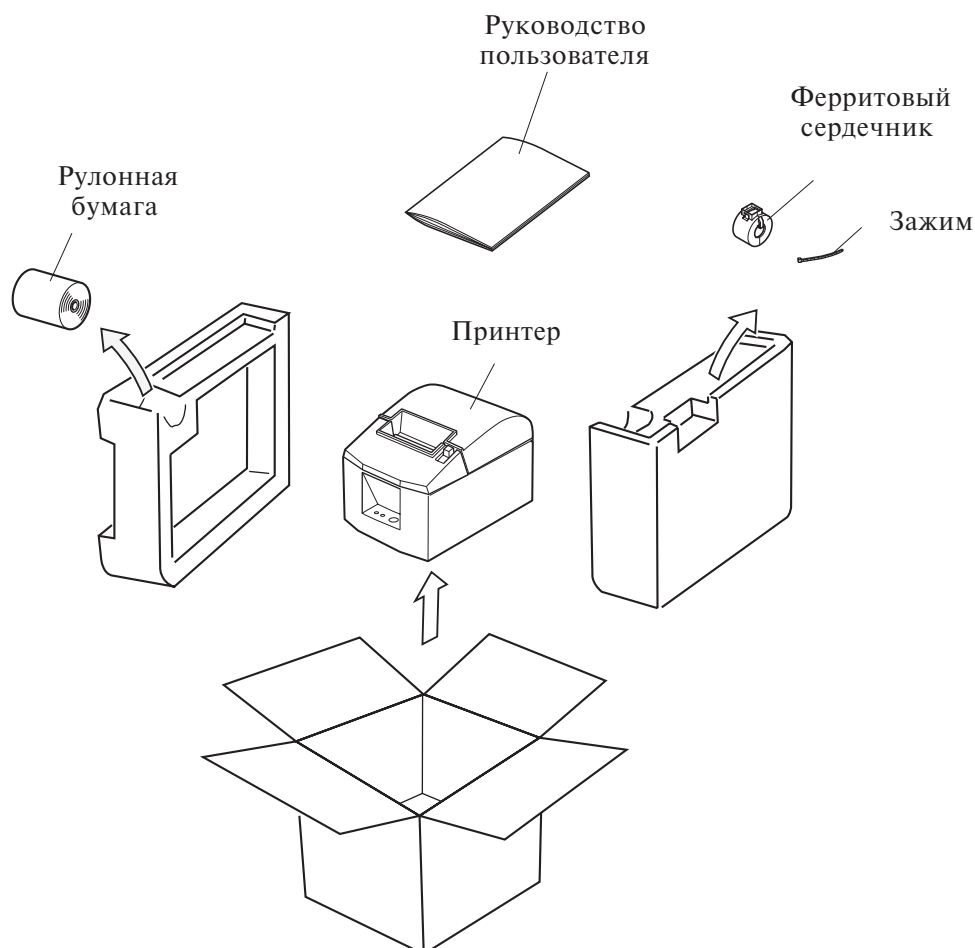
*Не подключайте кабель телефонной линии к разъему, предназначенному для дополнительного диска. В противном случае принтер может выйти из строя. Кроме того, в целях безопасности нельзя подключать к разъему для внешнего диска кабеля, если есть вероятность, что разъем находится под напряжением.*

---



## Распаковка принтера

- ✓ Принтер
- ✓ Руководство пользователя
- ✓ Рулонная бумага
- ✓ Ферритовый сердечник(только для модели с параллельным интерфейсом)
- ✓ Соединитель(только для модели с параллельным интерфейсом)



## Выбор места для установки принтера

Прежде чем распаковывать принтер, уделите несколько минут тому, чтобы выбрать оптимальное место для установки. При этом рекомендуем учесть следующие советы:

- ✓ Выбирайте твердую, ровную поверхность, на которой принтер не будет вибрировать.
- ✓ Розетка должна находиться рядом с местом установки, и доступ к ней должен быть свободен.
- ✓ Не ставьте принтер далеко от компьютера, к которому он будет подключен.
- ✓ На принтер не должен попадать прямой солнечный свет.
- ✓ Не устанавливайте принтер вблизи к источникам тепла.
- ✓ Убедитесь, что вокруг нет грязи, везде сухо и нет пыли.
- ✓ Принтер должен быть подключен к исправной сетевой розетке. Не следует подключать принтер к одной линии с копирами, холодильниками и другими приборами, вызывающими перепады напряжения.
- ✓ Не следует устанавливать принтер в помещениях с повышенной влажностью.

## Расходные материалы

Для замены расходных материалов используйте только те, что указаны в приведенной ниже таблице. Проверьте, что используется именно такой сетевой адаптер, который указан в таблице.

Использование сетевого адаптера или расходных материалов, отличных от указанных в таблице, может привести к поломке принтера, пожару или удару электрическим током.

### (1) Характеристики рулонной бумаги

Термобумага

Плотность: 65~85 г/м<sup>2</sup>

Ширина: 79,5±0,5 мм (57,5±0,5 м с дополнительным держателем

рулонов)

Внешний диаметр рулона: Ø90 мм или менее

Внешний/внутренний диаметр сердечника

Плотность бумаги	Внешний диаметр	Внутренний диаметр
65~85 г/м <sup>2</sup>	Ø18±1 мм	Ø12±1 мм

Рабочая поверхность: Внешняя сторона рулона

Обращение с концевой частью: Не используйте клей для закрепления рулонной бумаги на сердечнике.

Не складывайте концевую часть бумаги.

### (2) Рекомендуемая бумага

Mitsubishi Paper Mills Limited

P220AG (обычного типа), плотность 65 г/м<sup>2</sup>

HP220A (бумага для высокой стабильности изображений), плотность 65 г/м<sup>2</sup>

HP220AB-1 (бумага для высокой стабильности изображений), плотность 75 г/м<sup>2</sup>

P220AB (обычного типа, особоплотная, для билетов), плотность 85 г/м<sup>2</sup>

PB670 (двухцветная бумага: красно-черная), плотность 75 г/м<sup>2</sup>

PB770 (двухцветная бумага: сине-черная), плотность 75 г/м<sup>2</sup>

Oji Paper Co., Ltd.

PD150R (обычного типа), плотность 75 г/м<sup>2</sup>

PD160R (бумага для высокой стабильности изображений), плотность 65/75 г/м<sup>2</sup>

PD750R (двухцветная бумага: красно-черная), плотность 75 г/м<sup>2</sup>

PD700R (двухцветная бумага: сине-черная), плотность 75 г/м<sup>2</sup>

Nippon Paper Industries

TF50KS-E2C (обычного типа), плотность 65 г/м<sup>2</sup>

Kanzaki Specialty Papers Inc. (KSP)

P320RB (двухцветная бумага: красно-черная), плотность 65 г/м<sup>2</sup>

P320BB (двухцветная бумага: сине-черная), плотность 65 г/м<sup>2</sup>

В зависимости от типа и толщины бумаги, может потребоваться изменение настройки яркости печати. Для изменения настройки яркости используйте команду <ESC><RS> 'd' n. Подробнее см. руководство по программированию.

## Подключение дополнительного сетевого адаптера

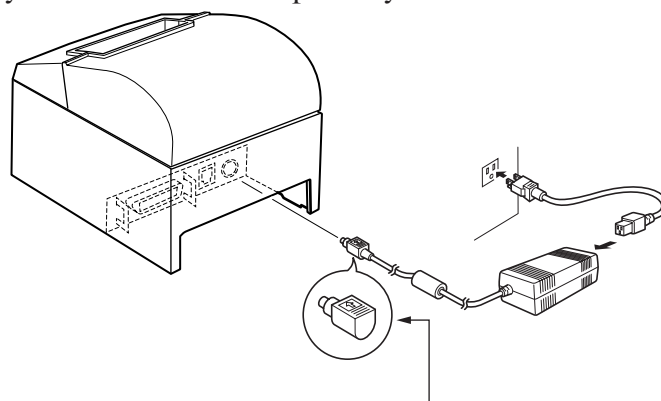
**Примечание:** Перед подключением или отключением сетевого адаптера убедитесь, что питание принтера и всех присоединенных к нему устройств выключено. Также убедитесь в том, что вилка сетевого кабеля вынута из розетки.

(1) Подключите кабель к сетевому адаптеру.

**Примечание:** Используйте только стандартные сетевой адаптер и кабель питания.

(2) Подключите сетевой адаптер к разъему на принтере.

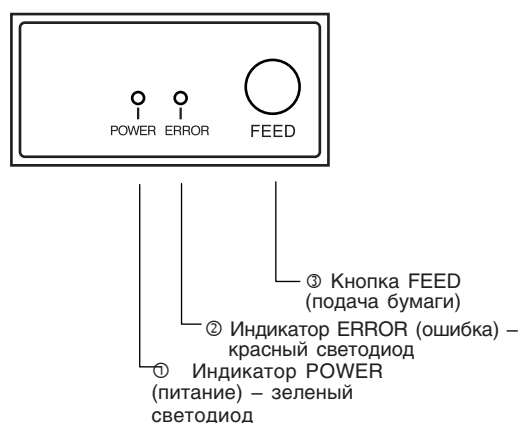
(3) Вставьте вилку сетевого кабеля в розетку.



### **Важные сведения!**

При отключении кабеля от розетки нельзя тянуть непосредственно за кабель, держитесь за вилку. Для удобства можно снять фиксатор. Если тянуть за кабель слишком сильно, можно повредить разъем.

## Панель управления



1 Индикатор POWER (питание) – зеленый светодиод.

Горит при включенном питании

2 Индикатор ERROR (ошибка) – красный светодиод.

В сочетании с индикатором POWER сигнализирует о различных ошибках

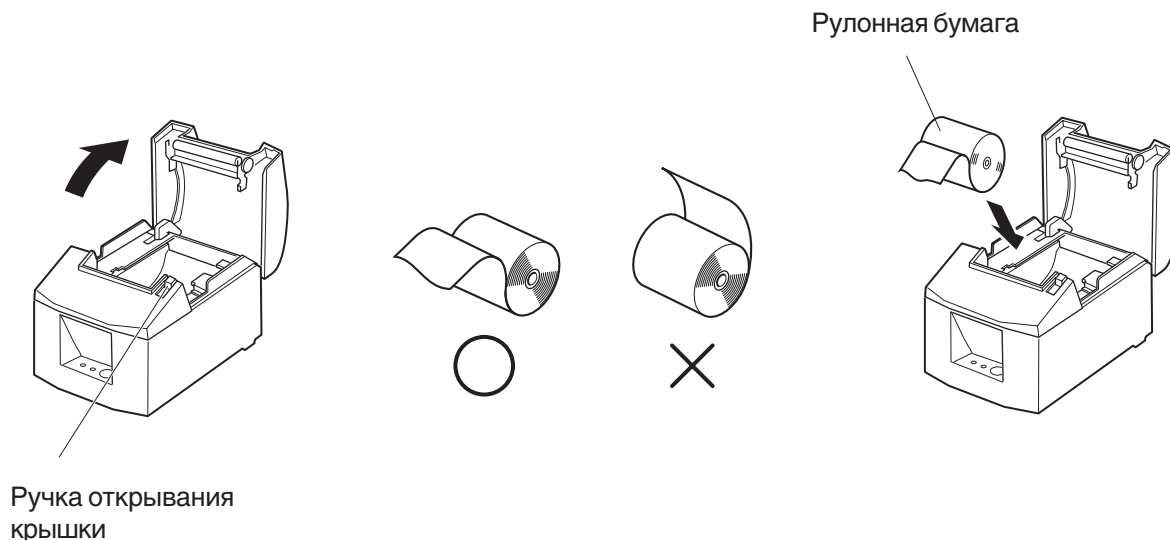
3 Кнопка FEED (подача бумаги).

Кнопка FEED используется для подачи рулонной бумаги.

## Загрузка рулонной бумаги

Убедитесь, что используется бумага, соответствующая техническим характеристикам принтера.

Для работы с бумагой шириной 57,5 мм установите держатель рулонной бумаги. Нажмите на ручку открывания крышки и откройте крышку принтера.



Установите рулон в правильном положении, заправьте конец бумаги и вытяните его по направлению к себе.

## Действия при замятии бумаги

При замятии бумаги выполните следующие действия.

(1) Отключите питание принтера с помощью выключателя питания.

(2) Потяните ручку на себя и откройте крышку принтера.

Если крышка принтера не открывается в моделях с автоматическим резак, это значит, что резак не находится в начальном положении. В этом случае верните автоматический резак в исходное положение в соответствии с инструкциями следующего раздела. Тогда перед тем, как открывать крышку, нужно удалить замятую бумагу.

(3) Выньте замятую бумагу.

**Примечание:** Вынимайте замятую бумагу осторожно, чтобы не повредить принтер.

Особенно уязвима термоголовка, поэтому постарайтесь не касаться ее.

(4) Ровно вставьте бумагу и аккуратно закройте принтер.

**Примечание 1:** Убедитесь, что бумага установлена ровно. Если бумага будет установлена с перекосом, она вновь может быть замята.

**Примечание 2:** Защелкните крышку принтера, надавив на нее с двух сторон.

Не пытайтесь закрыть крышку, надавливая на нее в центре. В этом случае крышка может закрыться неправильно.

(5) Включите питание принтера с помощью выключателя питания. Убедитесь, что не горит индикатор ERROR (ошибка).

**Примечание:** Если индикатор ERROR горит, принтер не будет реагировать ни на какие команды, в том числе и на команду печати, поэтому убедитесь в том, что крышка принтера закрыта правильно.

## Освобождение застрявшего резака (только для моделей с автоматическим резакom)

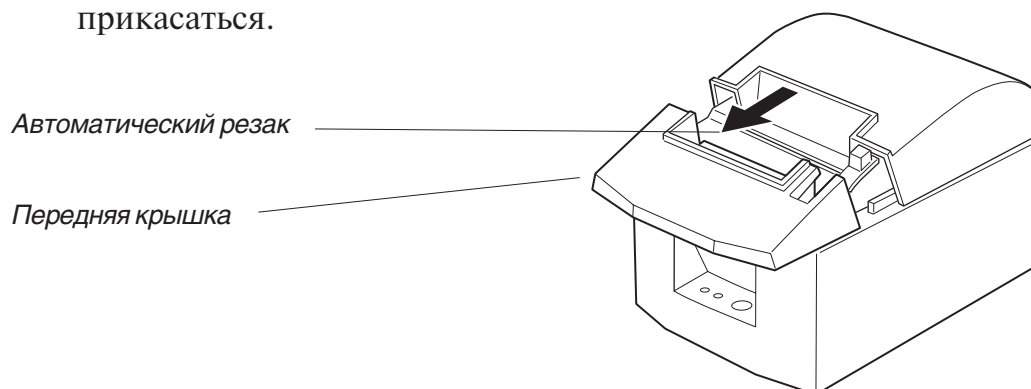
Если автоматический резак заблокирован или не режет бумагу, выполните следующие действия.

### **Внимание**

*Резак представляет опасность, поэтому обязательно выключайте принтер перед началом работы с ним.*

- (1) Отключите питание принтера с помощью выключателя.
- (2) Снимите переднюю крышку, чтобы получить доступ к резаку.
- (3) Удалите замятую бумагу.

**Примечание:** Вынимайте замятую бумагу осторожно, чтобы не повредить принтер. Так как термоголовка очень чувствительна, к ней нельзя прикасаться.



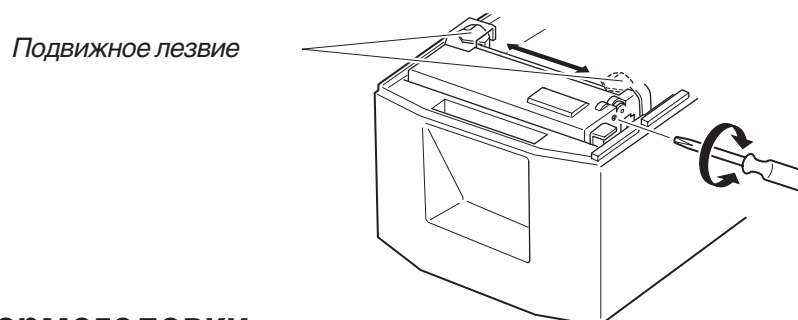
- (4) Если лезвие резака выступает наружу, с помощью крестовой отвертки поверните винт и верните лезвие в начальное положение.

Когда лезвие находится в начальном положении, контрольное окно становится полностью белым.

**Примечание 1:** Не прилагайте чрезмерного усилия к подвижному лезвию.

**Примечание 2:** Если подвижное лезвие сильно выступает наружу, крышку принтера нельзя будет открыть. Попытка открыть принтер может повредить резак.

- (5) Откройте крышку принтера, удалите замятую бумагу и заново установите рулон.
- (6) Установите переднюю крышку и переведите выключатель в положение “вкл.”.



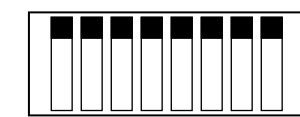
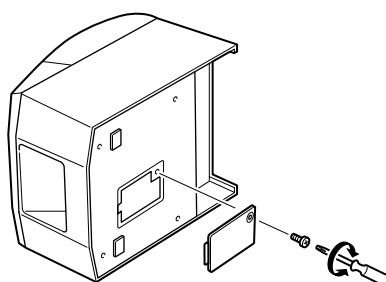
## Очистка термоголовки

Для удаления черного налета протрите поверхность термоголовки изопропанолом.

**Примечание:** Термоголовку очень легко повредить, поэтому протирать ее нужно аккуратно и только с помощью мягкой ткани. Следите за тем, чтобы не поцарапать головку при очистке.

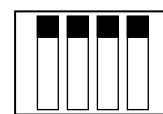


# Настройка DIP-переключателей: параллельный интерфейс



№. 1 2 3 4 5 6 7 8

DIP-переключатель 1



№. 1 2 3 4

DIP-переключатель 2

## DIP-переключатель 1

Переключатель 1-1	Эмуляция команд
ON	Режим Star
OFF	Режим ESC/POS

На моделях с автоматическим резакom первоначально все DIP-переключатели включены. На моделях с отрывной планкой переключатели 1-3 выключены.

### (1) Режим Star

DIP	Функция	ON	OFF
1-1	Эмуляция команд	Всегда ON	
1-2	Не подлежит изменению (всегда должен быть в положении ON)		
1-3	Автоматический резак	Вкл.	Выкл.
1-4	Регулировка датчика	Выкл.	Вкл.
1-5	Сигнал сброса Pin #31 (INIT)	Вкл.	Выкл.
1-6	Условия квитирования (условия для BUSY)	Автономно или буфер приема полон	Буфер приема полон
1-7	Автоматический сброс состояния	Выкл.	Вкл.
1-8	Не подлежит изменению (всегда должен быть в положении ON)		

### (2) Режим ESC/POS

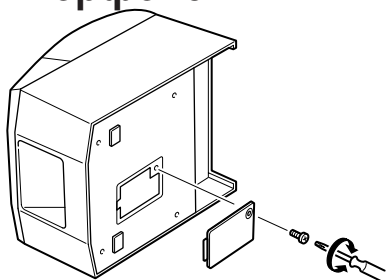
DIP	Функция	ON	OFF
1-1	Эмуляция команд	Всегда OFF	
1-2	Регулировка графики	203 т/д	180 т/д
1-3	Автоматический резак	Вкл.	Выкл.
1-4	Регулировка датчика	Выкл.	Вкл.
1-5	Сигнал перезагрузки Pin #31 (INIT)	Вкл.	Выкл.
1-6	Условия квитирования (условия для BUSY)	Автономно или буфер приема полон	Буфер приема полон
1-7	Автоматический сброс состояния	Выкл.	Вкл.
1-8	Не подлежит изменению (всегда должен быть в положении ON)		

## DIP-переключатель 2

DIP	Функция	ON	OFF
2-1	Всегда ON	Всегда должен быть в положении ON	
2-2			
2-3			
2-4			

Заводское состояние DIP-переключателей – все в положении ON.

# Настройка DIP-переключателей: последовательный интерфейс



## DIP-переключатель 1

Переключатель 1-1	Эмуляция команд
ON	Режим Star
OFF	Режим ESC/POS

На моделях с автоматическим резакom первоначально все DIP-переключатели установлены в положении “вкл”. На моделях с отрывной планкой переключатели 1-3 выключены, а остальные включены.

### (1) Режим Star

DIP	Функция	ON	OFF
1-1	Эмуляция команд	Всегда ON	
1-2	Не подлежит изменению (всегда должен быть в положении ON)		
1-3	Автоматический резак	Вкл.	Выкл.
1-4	Регулировка датчика	Выкл.	Вкл.
1-5	Не подлежит изменению (всегда должен быть в положении ON)		
1-6	Условия квитирования (условия для BUSY)	Автономно или буфер приема полон	Буфер приема полон
1-7	Автоматический сброс состояния	Выкл.	Вкл.
1-8	Не подлежит изменению (всегда должен находиться в положении ON)		

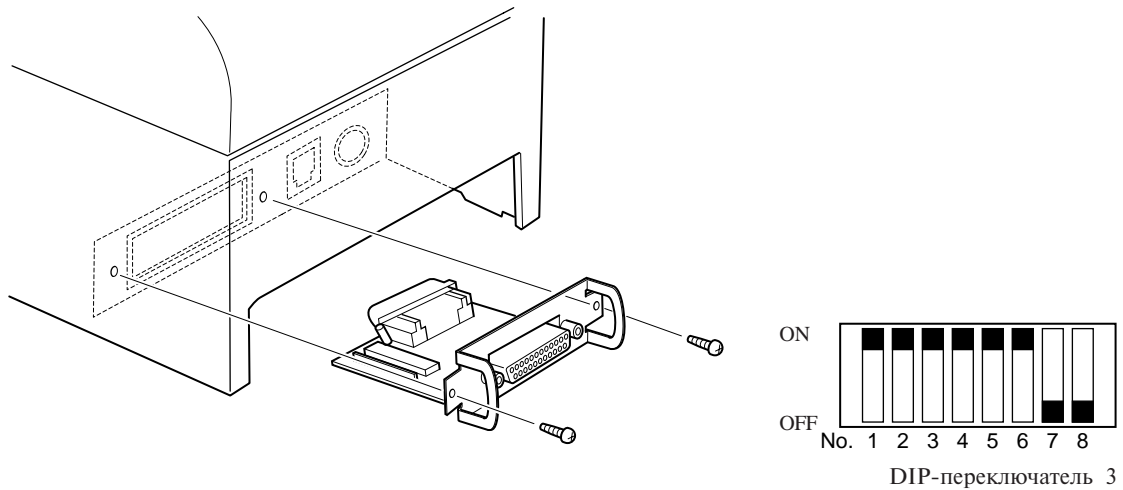
### (2) Режим ESC/POS

DIP	Функция	ON	OFF
1-1	Эмуляция команд	Всегда OFF	
1-2	Регулировка графики	203 т/д	180 т/д
1-3	Автоматический резак	Вкл.	Выкл.
1-4	Регулировка датчика	Выкл.	Вкл.
1-5	Не подлежит изменению (всегда должен быть в положении ON)		
1-6	Условия квитирования (условия для BUSY)	Автономно или буфер приема полон	Буфер приема полон
1-7	Автоматический сброс состояния	Выкл.	Вкл.
1-8	Не подлежит изменению (всегда должен быть в положении ON)		

## DIP-SW 2

DIP	Функция	ON	OFF
2-1	Всегда ON	Всегда должен быть в положении ON	
2-2			
2-3			
2-4			

Заводское состояние DIP-переключателей – все в положении ON.



### DIP-переключатель 3

DIP	Функция	ON	OFF
3-1	Скорость передачи данных	См. таблицу внизу	
3-2			
3-3	Длина данных	8 бит	7 бит
3-4	Проверка четности	Выкл.	Вкл.
3-5	Четность	Нечетная	Четная
3-6	Квитирование	DTR/DSR	XON/XOFF
3-7	Сигнал сброса Pin #6 (DSR)	Вкл.	Выкл.
3-8	Сигнал сброса Pin #25 (INIT)	Вкл.	Выкл.

Скорость передачи данных	Переключатель 3-1	Переключатель 3-2
4800 бит/с	OFF	ON
9600 бит/с	ON	ON
19200 бит/с	ON	OFF

Заводское состояние DIP-переключателей – все в положении ON, кроме № 7 и 8.

## Технические характеристики

Способ печати	Термальная построчная печать
Плотность точек	203 x 203 т/д (8 точек на мм)
Направление печати	Двунаправленная печать с фрикционной подачей
Ширина области печати	Макс. 72 мм (576 точек)
Символов в строке (по умолчанию)	Шрифт А: 48 Шрифт В: 64
Разрядка между символами (по умолчанию)	0 точек
Размер символа	Шрифт А: 1,5 x 3,0 мм Шрифт В: 1,125 x 3,0 мм
Набор символов	Алфавитно-цифровые символы: 95 Международные символы: 32 Внешняя графика: 128 x 40 страниц
Скорость печати	Макс. 100 мм/с
Межстрочный интервал	3 мм / 4 мм
Структура символов	Шрифт А: 12 x 24 Шрифт В: 9 x 24
Интерфейс	RS232C / IEEE1284 / USB / Ethernet
Объем буфера приема	8 Кб / 64 байта
Средняя наработка на отказ	60 млн. строк (на основе средней нагрузки 12,5% при печати на бумаге плотностью 65 г/м <sup>2</sup> )
Ресурс резака	0,5 млн. срезов (бумага плотностью 65-85 г/м <sup>2</sup> )
Температура	При эксплуатации: от 5 до 45 °С Хранение: от -20 до 60 °С
Влажность	При эксплуатации: от 10 до 90 % отн. влажн. при отсутствии конденсации Хранение: от 10 до 90 % отн. влажн. при отсутствии конденсации
Габариты	142 x 199 x 132 мм (Ш x Д x В)
Вес	Около 1,4 кг

## Дополнительные принадлежности

- (1) Набор для настенного монтажа (WB-T600)
- (2) Набор для вертикального стенда (VS-T600)
- (3) Плата интерфейса USB (IFBD-HU04)
- (4) Плата параллельного интерфейса (IFBD-HC04)
- (5) Плата интерфейса RS-232C с 25-штырьковым разъемом (IFBD-HD04)
- (6) Плата интерфейса RS-232C с 9-штырьковым разъемом (IFBD-HN04)
- (7) Плата интерфейса Ethernet (IFBD-HE04)

На странице нашего сайта по адресу

[http://www.star-micronics.co.jp/service/frame\\_sp\\_spr\\_e.htm](http://www.star-micronics.co.jp/service/frame_sp_spr_e.htm)

Вы сможете найти информацию о новейших драйверах и утилитах для принтеров.



**ELECTRONIC PRODUCTS DIVISION  
STAR MICRONICS CO., LTD.**

536 Shimizunanatsushinya,  
Shizuoka, 424-0066 Japan  
Tel : 0543-47-0112  
Fax: 0543-48-5013

**OVERSEAS SUBSIDIARY COMPANIES  
STAR MICRONICS AMERICA, INC.**

1150 King Georges Post Road, Edison,  
NJ 08837-3729 U.S.A.  
Tel : 732-623-5555  
Fax: 732-623-5590  
<http://www.starmicronics.com>

**STAR MICRONICS EUROPE LTD.**

Star House, Peregrine Business  
Park, Gomm Road, High Wycombe,  
Bucks, HP13 7DL, U.K.  
Tel : 01494-471111  
Fax: 01494-473333  
<http://www.StarMicronicsEurope.com>

Please access the following URL  
[http://www.star-micronics.co.jp/service/frame\\_sp\\_spr\\_e.htm](http://www.star-micronics.co.jp/service/frame_sp_spr_e.htm)  
for the latest revision of the manual.

---

Distributed by

2004.01.15  
Printed in Japan, 80870390

## Free Manuals Download Website

<http://myh66.com>

<http://usermanuals.us>

<http://www.somanuals.com>

<http://www.4manuals.cc>

<http://www.manual-lib.com>

<http://www.404manual.com>

<http://www.luxmanual.com>

<http://aubethermostatmanual.com>

Golf course search by state

<http://golfingnear.com>

Email search by domain

<http://emailbydomain.com>

Auto manuals search

<http://auto.somanuals.com>

TV manuals search

<http://tv.somanuals.com>