

# *Fast Media Home Network Systems*

# **FASTHOME**™

CUSTOM CONNECTIVITY PLATFORMS

## *Installation Guide*



### **550-030**

Fast Media  
Data Hub Module

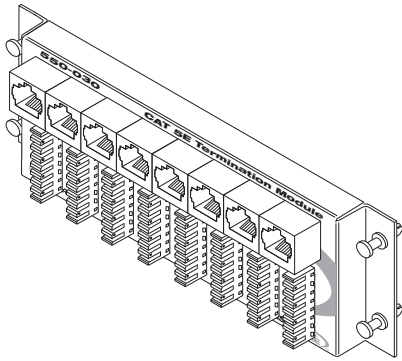
6 1/2" (W) x 2 7/8" (H) x 1" (D)



Manufactured by:  
Stereon Electronics International, LLC  
8675 Miralani Drive, San Diego, CA 92126  
1-800-266-3333  
[www.steren.com](http://www.steren.com)

## FastHome™ 550-030 Data Hub Module Installation Guide

### Introduction



### Welcome to the FastHome™ Series

Thank you for purchasing this product, part of the **FastHome™** Series of Fast Media Home Network Systems by Steren. You have made an excellent choice for the homeowner. The **FastHome™** Series of enclosures and modules provide a quality control center for the wiring of cable TV, phone/fax/modem, Ethernet, security, sound system and other voice, video, data and audio devices. Installation is easy and requires only basic tools. By following the instructions in this guide, you will ensure the proper installation of the **FastHome™** module.

### Product Description

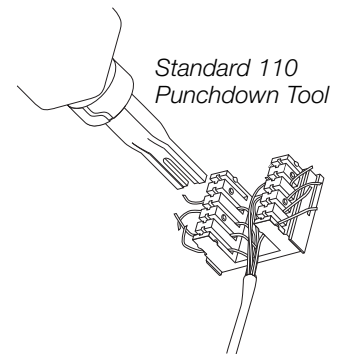
From a centralized location, the Fast Media Data Hub Module terminates data wires from eight locations for distribution to switches, hubs or routers. The module also can be used for phone/fax/modem applications and can connect to the Fast Media Ethernet Switch Module (550-060). All **FastHome™** modules feature 18-gauge cold rolled steel construction for excellent RFI shielding. Module exceeds TIA/EIA 568 CAT5e standards.

### Contents of Package

1. Fast Media Data Hub Module
2. Installation manual

### Tools for Module Installation and Wiring

1. Wire stripper
2. Punchdown tool
3. Personal protective equipment



### About Steren Electronics

Based in San Diego, Steren has been a leading component manufacturer for nearly 50 years.

With more than 2,000 items in our catalog, we supply interconnect products and electronics accessories for home and commercial use.

The **FastHome™** Series of Fast Media Home Network Systems are produced with superior design and engineering, high-quality materials and exceptional manufacturing processes, attributes that are synonymous with the Steren name.

### Safety Instructions

Read these safety instructions before installing this module and follow them carefully. Keep these instructions handy and refer to them when working on the module.



- Always wear the necessary personal protective gear and follow all basic precautions and safety procedures when working with wires and electrical equipment, using power tools or working in unfinished construction areas.
- Use caution when handling this module. Be careful not to drop the module because this could affect the performance and/or damage the module.
- Take extra precautions when working with cables, wires and tools. Do not install cables and wires that appear to be damaged. Avoid kinking cables and wires during installation.
- Be careful when using tools that might touch exposed wires or live electrical contacts.
- To prevent electric shock: 1) do not touch uninsulated wires and terminals that may still be connected to a live circuit; 2) do not install wires or electrical equipment during a lightning storm; 3) do not install wires or electrical equipment or their enclosures near water or locations where water is used (in the kitchen, bathroom, laundry room, swimming pool, etc.); 4) do not install electrical components or equipment in wet areas, unless specifically rated for moisture.
- Make sure all wires in the modules are properly connected or terminated.



## **FastHome™** **550-030 Data Hub Module Installation Guide**

### **Pre-Installation Instructions**

1. After the enclosure has been mounted, determine which modules will be inserted. On a sheet of paper, diagram the location where each module will be placed. An expansion module should be placed close to the module with which it interfaces.
2. On the diagram, identify the origin and destination of each cable. Make sure the module serving each device is safely within a 100ft/30m distance.

### **Installation Instructions**

1. Identify the enclosure location on which the module will be mounted.
2. Mount the module by inserting the nylon pins into the holes in back of the enclosure and pressing the pins in. Make sure that the pins are firmly seated and the module is secure.

### **Wiring Instructions**

**Note:** Module wiring should only be performed by a experienced, licensed electrician. Make sure all power has been shut off to the equipment and there is no live circuit. Route all cables through the knock-out holes and bundle with tie wraps or cable straps to ensure safe and long-lasting connections.

1. Using a wire stripper, strip off about 2" of Category 5e cable to expose the wires. Separate the four wire pairs.
2. Using a standard 110 punchdown tool, terminate the tip and ring wires. Match each wire pair with the color codes on the IDC block (white/blue: blue pair in line one; white/orange: orange pair in line two; white/green: green pair in line three; white/brown: brown pair in line four).
3. Perform the stripping and punchdown function for 1-8 locations on the block.
4. Tag each cable in the module with its point of destination.
5. Route the cables from the hub to computer and peripheral locations in the home and terminate with an RJ-45 connector.
6. Insert RJ-45 patch cords into the ports above each wired block.
7. Route the patch cords to the location of a network hub, switch or router in the home, such as the Fast Media Ethernet Switch Module (550-060).

### **Installation**



*Sample configuration for telephone, audio/video, security and Ethernet.*

### **For More Information about FastHome™ and Fast Media Home Network Systems, contact:**

**Steren Electronics International, LLC**  
8675 Miralani Drive  
San Diego, CA 92126  
1-800-266-3333  
[www.steren.com](http://www.steren.com)

Copyright © 2004  
Steren Electronics International, LLC  
Printed in China





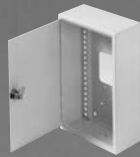
CUSTOM CONNECTIVITY PLATFORMS

# Fast Media Home Network Systems

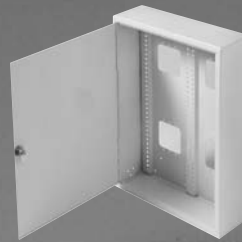
**For your future construction needs, consider the entire series of FastHome™ Enclosures and Modules.**

## FastHome™ Enclosures

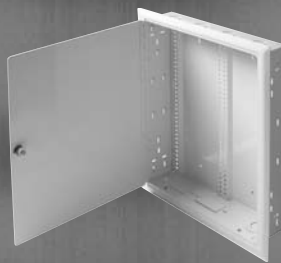
From a centralized location, Fast Media Home Network Systems enclosures fully integrate, manage and distribute broadband and multimedia services on a flexible, customizable and upgradeable platform. Constructed of 18-gauge cold rolled steel for strength and protection against interference, FastHome™ enclosures mount on a wall (surface mount) or between 16" center wall studs (flush mount).



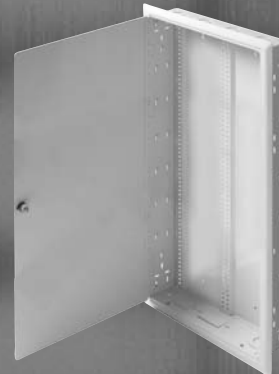
**550-100**  
Small Surface Mount Enclosure  
7"(W) x 11"(H) x 3<sup>5</sup>/<sub>16</sub>"(D)



**550-105**  
Large Surface Mount Enclosure  
14<sup>9</sup>/<sub>16</sub>"(W) x 19"(H) x 4<sup>5</sup>/<sub>16</sub>"(D)



**550-200**  
Small Flush Mount Enclosure  
14<sup>3</sup>/<sub>8</sub>"(W) x 19"(H) x 3<sup>1</sup>/<sub>2</sub>"(D)



**550-205**  
Medium Flush Mount Enclosure  
14<sup>3</sup>/<sub>8</sub>"(W) x 32"(H) x 3<sup>1</sup>/<sub>2</sub>"(D)



**550-210**  
Large Flush Mount Enclosure  
14<sup>3</sup>/<sub>8</sub>"(W) x 44"(H) x 3<sup>1</sup>/<sub>2</sub>"(D)

## FastHome™ Modules

High-quality FastHome™ modules by Steren provide secure, reliable connections for voice, video, data and audio applications. Each module is housed in a sturdy 18-gauge cold rolled steel construction for excellent RFI shielding. The system is expandable by adding multiple modules.



**550-010**  
Fast Media Telephone/TV Hub Module  
6<sup>1</sup>/<sub>2</sub>"(W) x 4<sup>3</sup>/<sub>4</sub>"(H) x 1"(D)



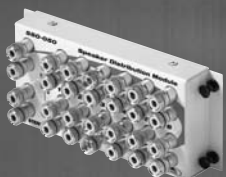
**550-020**  
Fast Media Telephone Hub Module  
6<sup>1</sup>/<sub>2</sub>"(W) x 2<sup>7</sup>/<sub>8</sub>"(H) x 1"(D)



**550-030**  
Fast Media Data Hub Module  
6<sup>1</sup>/<sub>2</sub>"(W) x 2<sup>7</sup>/<sub>8</sub>"(H) x 1"(D)



**550-040**  
Fast Media TV  
Combiner/Splitter Module  
6<sup>1</sup>/<sub>2</sub>"(W) x 2<sup>7</sup>/<sub>8</sub>"(H) x 1"(D)



**550-050**  
Fast Media Audio Splitter Module  
6<sup>1</sup>/<sub>2</sub>"(W) x 2<sup>7</sup>/<sub>8</sub>"(H) x 1"(D)



**550-060**  
Fast Media Ethernet Switch Module  
6<sup>1</sup>/<sub>2</sub>"(W) x 2<sup>3</sup>/<sub>4</sub>"(H) x 1"(D)



**550-070**  
Fast Media Power Module  
6<sup>1</sup>/<sub>2</sub>"(W) x 2<sup>5</sup>/<sub>8</sub>"(H) x 1"(D)



**550-080**  
Fast Media RF Modulator Module  
6<sup>1</sup>/<sub>2</sub>"(W) x 3"(H) x 2<sup>3</sup>/<sub>8</sub>"(D)



Manufactured by:  
Steren Electronics International, LLC  
8675 Miralani Drive, San Diego, CA 92126  
1-800-266-3333  
www.steren.com

Made in China

## Free Manuals Download Website

<http://myh66.com>

<http://usermanuals.us>

<http://www.somanuals.com>

<http://www.4manuals.cc>

<http://www.manual-lib.com>

<http://www.404manual.com>

<http://www.luxmanual.com>

<http://aubethermostatmanual.com>

Golf course search by state

<http://golfingnear.com>

Email search by domain

<http://emailbydomain.com>

Auto manuals search

<http://auto.somanuals.com>

TV manuals search

<http://tv.somanuals.com>