

Sunbeam

Eggo

Egg Cooker and Poacher

INSTRUCTION BOOKLET.



EC1600

Sunbeam's Safety Precautions.

SAFETY PRECAUTIONS FOR YOUR EGGO.

- This appliance is not a toy.
- Always operate on a flat level surface.
- Do not place any part of this appliance in a dishwasher.
- Do not fill more than the maximum required water.
- Avoid injuries from the piercing pin.
- Do not remove lid whilst the water is boiling.

SAFETY PRECAUTIONS FOR ALL ELECTRICAL APPLIANCES

Sunbeam are very safety conscious when designing and manufacturing consumer products, but it is essential that the product user also exercise care when using an electrical appliance. Listed below are precautions which are essential for the safe use of an electrical appliance:

- Read carefully and save all the instructions provided with an appliance.
- Always turn the power off at the power outlet before you remove a plug. Remove by grasping the plug - do not pull on the cord.
- Turn the power off and remove the plug when the appliance is not in use and before cleaning.
- Do not use your appliance with an extension cord unless this cord has been checked and tested by your electricity supplier or qualified technician.
- Always use your appliance from a power outlet of the voltage (A.C. only) marked on the underside of the appliance.
- Close supervision is necessary when your appliance is being used near children or infirm persons.
- Never leave an appliance unattended while in use.
- Young children or infirm persons should be supervised to ensure that they do not play with the appliance.
- Do not use an appliance for any purpose other than its intended use.
- Do not place an appliance on or near a hot gas flame, electric element or in a heated oven. Do not place on top of any other appliance.
- Do not let the power cord of an appliance hang over the edge of a table or bench top or touch any hot surface.
- Do not immerse in water.
- For safety reasons and to avoid maintenance by unskilled persons, some appliances are 'sealed' using tamperproof means as specified by S.A.A. (Standards Association of Australia). Such appliances should always be returned to the nearest Service Centre for adjustment or repair if required.
- Do not operate any electrical appliance with a damaged cord or after the appliance has been dropped or damaged in any manner; If damage is suspected, return the appliance to the nearest Service Centre for examination, repair or adjustment. As a service to Customers, Service Centres will carry out a free check on your appliance to ensure it is electrically safe.
- For additional protection Sunbeam recommend the use of a residual current device (RCD) with a tripping current not exceeding 30mA in the electrical circuit supplying the power outlet in use.

If you have any concerns regarding the performance and use of your appliance, please ring our Toll Free number (Australia only) 1800 025 059. New Zealand - contact the Sunbeam Office in Auckland on 09 912 0747.

Ensure the above safety precautions are understood.

تأكد من تفهم احتياطات السلامة المذكورة اعلاه

請務必理解上述的安全預防措施。

Assurez-vous que les précautions ci-dessus relatives à la sécurité sont bien comprises

Versichern Sie sich daß die obenstehenden Sicherheitsmaßnahmen Verstanden werden

Βεβαιώνετε πως οι παραπάνω προφυλάξεις ασφαλείας γίνονται κατανοητές

Pastikan bahwa tindakan-tindakan keselamatan seperti di atas dimengerti anda

Accertatevi che le suddette norme di sicurezza siano comprese a dovere

上記の注意事項をよくお読みになり、安全を御確認ください

Уверете се дека погоре споменатите мерки на претпазливост се добро разбрани

Asegúrese de que las precauciones de seguridad precedentes sean bien comprendidas

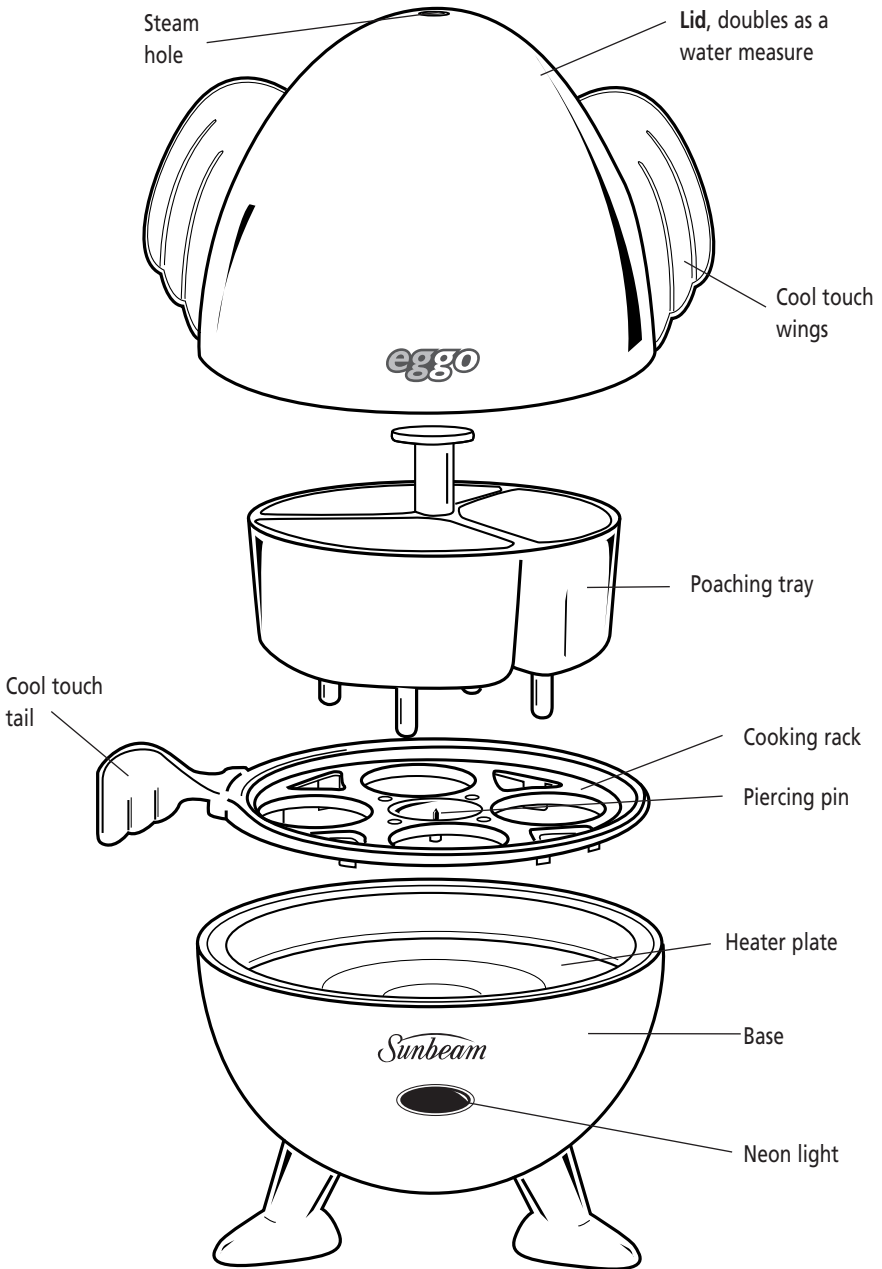
کاری بکنید کہ احتیاطهای بالا حتماً درک بشوند

ต้องแน่ใจว่า ข้อควรระวังเรื่องความปลอดภัยข้างต้น เป็นที่เข้าใจกันดี

Yukarda belirtilen güvenlik önlemlerinin anlaşıldığından emin olunuz

Xin kiểm chắc rằng những biện pháp làm an toàn kể trên được hiểu rõ

Features of your Eggo.



Using your Eggo.

Before the first use

Wipe over the surface of the heater plate with a smooth damp cloth. Wash the plastic parts in warm soapy water, rinse and dry.

To Cook

1. Place the base of the appliance on a dry, flat level surface.
2. Using the lid of the Eggo, turn the lid around and close the steaming hole with your finger. Measure the amount of water required using the markings on the lid as a guide (see table below for correct water quantities).

3. Pour the water into the heater plate of the Eggo.
4. Place the cooking rack on a flat counter surface.

5. Pierce the large end of each egg with the piercing pin in the cooking rack.

Note: This will prevent the eggshell from cracking while the eggs are cooking.

Caution: Avoid injuries from the piercing pin.

6. Place eggs pierced end up in the cooking rack.
7. Place cooking rack on base and cover with lid.
Note: Without the lid on the eggs will not cook properly.
8. Insert the plug into a 230-240V power outlet and turn the power on. The indicator light will glow, indicating the eggs are cooking.

Warning: Do not remove lid whilst the water is boiling.

9. Once all the water has evaporated the Eggo will "tweet" signalling that the eggs are ready.
10. Unplug the Eggo.
11. Take the lid from the Eggo using the cool touch wings.
12. While eggs are still on the cooking rack, rinse briefly under cold water and serve immediately.

To Poach

1. Place the base of the appliance on a dry, flat level surface.
2. Using the lid of the Eggo, turn the lid around and close the steaming hole with your finger. Measure the amount of water required using the markings on the lid as a guide (see table below for correct water quantities).
3. Pour the water into the heater plate of the Eggo.
4. Lightly butter or oil the poaching sections to be used.
5. Place the cooking rack on the base and fit the poaching tray on top, so that the legs of the poaching tray are in the centre of the egg holes.
6. Break one egg at a time into each section of the poaching tray and cover with lid.

Note: Without the lid on the Eggo will not work.

7. Insert the plug into a 230-240V power outlet and turn the power on. The indicator light will glow, indicating the eggs are cooking.
8. Once all the water has evaporated the unit will "tweet" signalling that the eggs are ready.
9. Unplug the Eggo.
10. Take the lid from the Eggo using the cool touch wings.
11. Serve eggs immediately to avoid overcooking.

WARNING: This appliance is not a toy. Please do not leave children unattended near the appliance while in use, or while it is cooling after use.

Using your Eggo cont.

Important: Cooking times may vary and are affected by factors such as:

- Number and size of eggs
- Temperature of the eggs prior to cooking
- Temperature and amount of water used
- Altitude
- Length of time eggs remain in the egg cooker after the cooking cycle has completed.

Using your Eggo Egg Cooker and Poacher.

No. of boiled eggs	Water Quantities		
	Soft	Medium	Hard
1 egg	50ml	65ml	90ml
2 eggs	45ml	60ml	85ml
3 eggs	40ml	55ml	80ml
4 eggs	35ml	50ml	75ml
Poached eggs			
1 egg			90ml
2 eggs			80ml
3 eggs			70ml

Important: When using the Eggo lid to measure the amount of water required, you will need to cover the steaming hole with your finger, refer to diagram below.

Care and Cleaning.

To clean the plastic parts.

Wash the cover, egg rack and poaching tray in warm soapy water, rinse and dry thoroughly.

To clean the heating vessel.

Wipe over with a damp cloth. Do not use harsh abrasives as these will scratch the non-stick surface.

WARNING: Do not immerse the body of the Eggo in water or any other liquid.

Do not clean any parts of this appliance in a dishwasher as the high temperatures reached may distort the plastic.

Sunbeam is a registered trademark. Made in China. Due to minor changes in design or otherwise, the product may differ from the one shown in this leaflet. Approved by the appropriate Electrical Regulatory Authorities. Backed by Sunbeam's 12 Month Replacement Guarantee and National Service Network.

© Copyright. SUNBEAM CORPORATION LIMITED 2001. (INCORPORATED IN N.S.W.) A.C.N. 000 006 771

For more information or advice on any Sunbeam products, contact the Sunbeam Consumer Service Line on 1800 025 059 in Australia. In New Zealand - contact the Sunbeam Office in Auckland on 09 912 0747.

Free Manuals Download Website

<http://myh66.com>

<http://usermanuals.us>

<http://www.somanuals.com>

<http://www.4manuals.cc>

<http://www.manual-lib.com>

<http://www.404manual.com>

<http://www.luxmanual.com>

<http://aubethermostatmanual.com>

Golf course search by state

<http://golfingnear.com>

Email search by domain

<http://emailbydomain.com>

Auto manuals search

<http://auto.somanuals.com>

TV manuals search

<http://tv.somanuals.com>