

Sunbeam

Euro Plus 2400W Convection Panel Heater

Instruction Booklet

HE4900

Please read these instructions carefully
and retain for future reference.



Contents

Sunbeam's Safety Precautions	1
Safety Precautions for your heater	2
Sunbeam's Total Safety System	3
Features of your Euro Plus Convection Panel Heater	4
Wall mounting your heater	6
Attaching the wheels	7
Using your heater	8
Restricting the temperature range	8
Resetting the safety auto shut off	9
Care and cleaning	9

تأكد من تفهيم احتياطات السلامة المذكورة اعلاه

請務必理解上述的安全預防措施。

Assurez-vous que les précautions ci-dessus relatives à la sécurité sont bien comprises

Versichern Sie sich daß die obenstehenden Sicherheitsmaßnahmen Verstanden werden

Βεβαιώστε πως οι παραπάνω προφυλάξεις ασφαλείας γίνονται κατανοητές

Pastikan bahwa tindakan-tindakan keselamatan seperti di atas dimengerti anda

Accertatevi che le suddette norme di sicurezza siano comprese a dovere

上記の注意事項をよくお読みになり、安全を御確認ください

Уверете се дека погоре споменатите мерки на претпазливост се добро разбрани

Asegúrese de que las precauciones de seguridad precedentes sean bien comprendidas

کاری بکنید کہ احتیاطهای بالا حتماً درک بشوند

ต้องแน่ใจว่า ข้อควรระวังเรื่องความปลอดภัยข้างต้น เป็นที่เข้าใจกันดี

Yukarda belirtilen güvenli� önlemlerinin anlaşıldığından emin olunuz

Xin kiểm chắc rằng những biện pháp làm an toàn kể trên được hiểu rõ

Sunbeam's Safety Precautions

Sunbeam are very safety conscious when designing and manufacturing consumer products, but it is essential that the product user also exercise care when using an electrical appliance. Listed below are precautions which are essential for the safe use of an electrical appliance:

- Read carefully and save all the instructions provided with an appliance.
- Always turn the power off at the power outlet before you insert or remove a plug. Remove by grasping the plug - do not pull on the cord.
- Turn the power off and remove the plug when the appliance is not in use and before cleaning.
- Do not use your appliance with an extension cord unless this cord has been checked and tested by a qualified technician or service person.
- Always use your appliance from a power outlet of the voltage (A.C. only) marked on the appliance.
- Close supervision is necessary when your appliance is being used near children or infirm persons.
- Never leave an appliance unattended while in use.
- Young children should be supervised to ensure that they do not play with the appliance.
- Do not use an appliance for any purpose other than its intended use.
- Do not place an appliance on or near a hot gas flame, electric element or on a heated oven. Do not place on top of any other appliance.
- Do not let the power cord of an appliance hang over the edge of a table or bench top or touch any hot surface.
- For safety reasons and to avoid maintenance by unskilled persons, some appliances are 'sealed' using tamperproof screws. Such appliances should always be returned to the nearest Sunbeam Appointed Service Centre for adjustment or repair if required.
- Do not operate any electrical appliance with a damaged cord or after the appliance has been dropped or damaged in any manner. If damage is suspected, return the appliance to the nearest Sunbeam Appointed Service Centre for examination, repair or adjustment.
- For additional protection, Sunbeam recommend the use of a residual current device (RCD) with a tripping current not exceeding 30mA in the electrical circuit supplying power to your appliances.
- Do not immerse the appliance in water or any other liquid unless recommended.

If you have any concerns regarding the performance and use of your appliance, please visit www.sunbeam.com.au or contact the Sunbeam Consumer Service Line.

Ensure the above safety precautions are understood.

Sunbeam's Safety Precautions

- This heater becomes hot during use. To avoid burns, do not let bare skin touch hot surfaces. If provided, use handles when moving this heater. Keep combustible materials such as furniture, pillows, bedding, papers, clothes and curtains at least 3 feet (90cm) away from the front of the heater and keep them away from the sides and rear.
- Extreme caution is necessary when any heater is used by or near children or invalids and whenever the heater is left unattended.
- Always unplug the heater when not in use.
- Do not use outdoors.
- Do not run the cord of the heater under carpeting. Do not cover the cord with throw rugs, runners or other floor coverings. Arrange the cord away from traffic areas where it will not be tripped over.
- Do not locate the heater immediately below a socket outlet.
- Do not use this heater in the immediate surrounds of a bath, shower, laundry area or swimming pool.
- Do not insert or allow foreign objects to enter any ventilation or exhaust openings as this may cause electric shock or fire, or damage to the heater.
- To prevent a possible fire, do not block air intakes or exhaust in any manner. Do not use on soft surfaces, such as beds, where opening may become blocked.
- A heater has hot and arcing or sparking parts inside. Do not use it in areas where petrol, paint or flammable liquids are used or stored.

Important instructions – retain for future use.

If you have any concerns regarding the performance and use of your appliance, please visit www.sunbeam.com.au or contact the Sunbeam Consumer Service Line. Ensure the above safety precautions are understood.

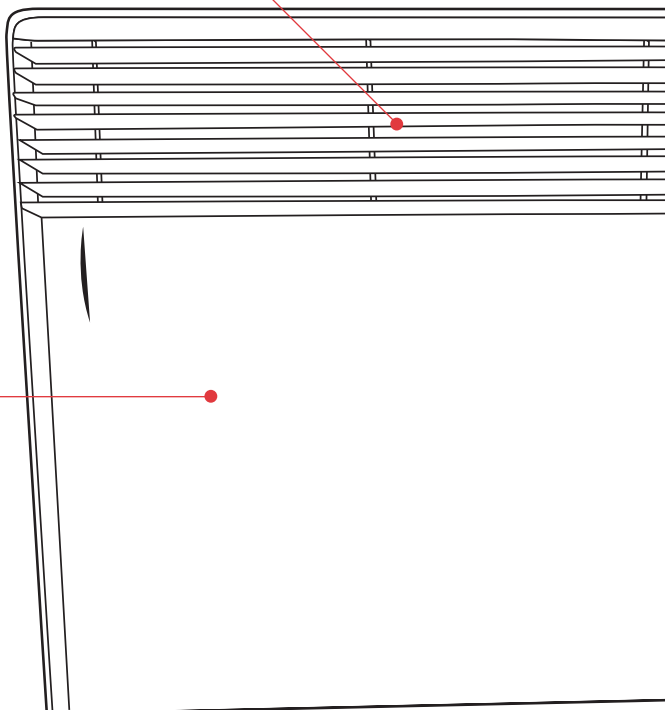
Features of your Euro Plus heater

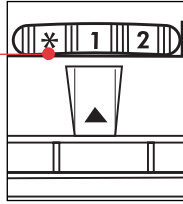
Patented SCHWARZ element

The patented heating element is designed to heat faster than conventional elements. Its single metal construction ensures optimum heat transfer from the element into the surrounding air, to warm the room faster.

Overheat protection

The safety auto shut off system detects any abnormally high temperatures within the heater and automatically switches it off to prevent overheating.

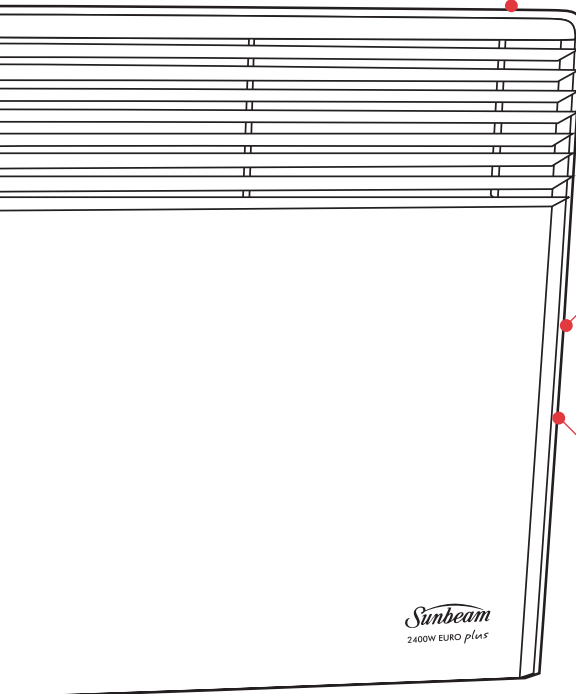




Thermostat dial

The thermostat dial allows you to set your desired temperature level. Accurate to within 1°C, the electromechanical thermostat monitors the room's temperature and continuously adjusts the heat output to maintain your selected comfort level.

The element is only powered for as long as necessary to restore the selected temperature, ensuring maximum efficiency.



On/off switch

The on/off switch at the side of the unit controls the heater's operation.

Wall mount bracket

The wall mount bracket is simply screwed onto the wall for quick and easy installation.

Wall mounting your heater

Before using your Euro Plus heater ensure it is securely mounted on a wall.

Wall mounting

For maximum efficiency this heater should be positioned so that the heat generated mixes with the maximum volume of air. It can be installed in any room of the home, including the bathroom, in accordance with the instructions below.

1. Remove the wall mounting bracket from the rear of the heater by squeezing the clips (at A and B in figure 2 below) and pulling towards you.

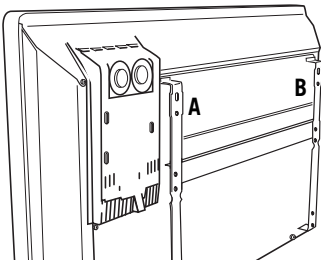


Figure 2

2. Select a suitable location to mount the heater, ensuring that it is at least 10cm below any curtains or window furnishings, 10cm from any furniture located to either side, and 75cm from any furniture placed in front of the heater, as shown in figure 3.

The heater must be mounted horizontally, with the control panel at the top.

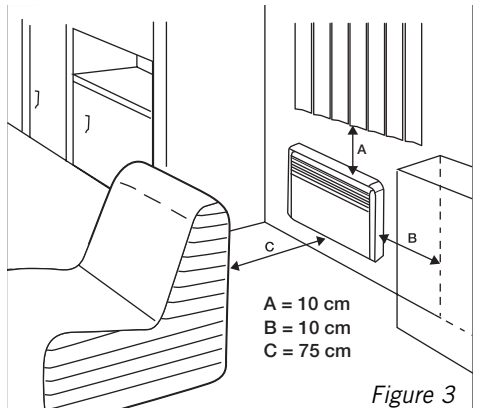


Figure 3

Note: any electrical appliances to be fitted in a bathroom should be installed by a qualified electrician in accordance with Australian/New Zealand Standard Wiring Rules. Portable heaters should not be used in a bathroom.

Heaters that can be permanently fixed must be installed so that any controls cannot be reached by a person using a bath or shower, as shown in figure 4.

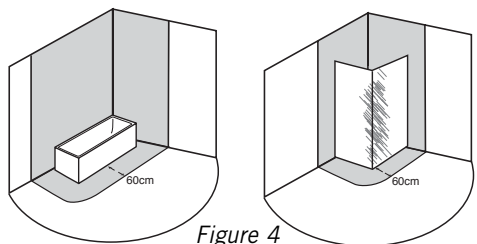


Figure 4

Wall mounting your heater (continued)

3. Mark the first top screw location on the wall, at least 630mm from the floor or skirting board. The base of the heater must be at least 200mm from the floor to ensure adequate air flow into the air inlet. Drill the first hole using a suitable drill bit.
4. Measure and mark the second drill hole, 564mm from the first hole. Drill the hole.
5. Measure and mark the bottom screw holes, 289mm below the top two holes. Drill.
6. Position the bracket over the drill holes and screw into position.

7. To place the heater on the bracket, insert the lower clips first then the top, and push firmly until it clicks into position, as shown in figure 5.

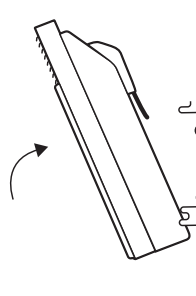


Figure 5

Attaching the wheels

Before attaching the wheels, remove the wall mounting bracket from the rear of the heater by pushing down on the top clips and pulling towards you.

1. Position the wheel assembly over the base of the heater, with the vertical bracket to the rear of the unit, as shown in Figure 6.
2. Align the screw hole in the vertical bracket (C) with the screw hole in the rear of the heater. Place the washer on the screw, insert the screw and fix loosely. Do not tighten.
3. Align the screw holes on the underside of the wheel assembly (A and B) with the holes on the base of the heater. Insert each screw and washer and tighten.

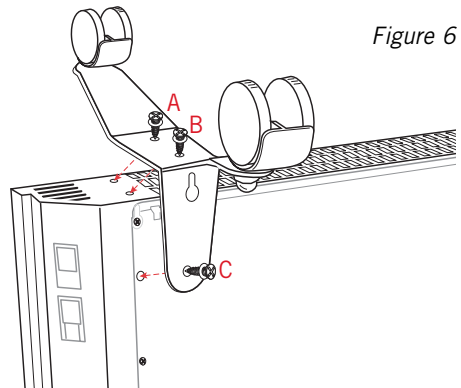


Figure 6

Once all screws are correctly positioned, tighten the screw in position C.

4. Repeat on the other side.

Using your heater

1. Install the heater in accordance with the instructions above.
2. Insert the plug into a 230-240V power outlet and turn the power on.
3. Ensure that the air inlet vent on the underside of the heater and the air outlet are clear of obstructions.
4. Move the on/off switch to the on position (I).
5. Adjust the thermostat dial to your desired heat level, from 1 to 12.
6. Once the selected temperature is reached, the electromechanical thermostat will constantly monitor the room temperature and adjust the heat output to maintain it.
7. To switch the heater off, move the on/off switch to the off position (O).

Restricting the temperature range

With the aid of two pins at the back of the unit, you can limit the range of the thermostat dial. Use one pin to lock the thermostat at a fixed temperature, or two pins to fix a set temperature range. One pin determines the upper value, and the other determines the lower value.

1. To remove the pins from their original position, move each one back and forth using a pair of needle nose pliers to loosen them.

2. Insert the pins in the desired position to limit or fix the rotation of the thermostat dial as desired.

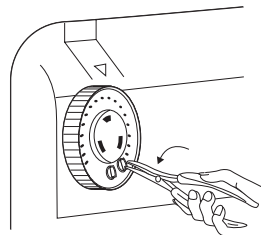


Figure 7

Resetting the safety auto shut off

The safety auto shut off detects any abnormally high temperatures within the heater and shuts it off to prevent overheating. Should the safety auto shut off activate and switch off the heater, it will need to be reset.

1. To reset the heater, move the on/off switch to the OFF position.

2. Unplug the heater and wait 5-10 minutes for the unit to cool down.

3. After 5-10 minutes, plug the heater in again and operate as usual.

Care and cleaning

Ensure that the heater is switched off and disconnected from the power outlet before cleaning.

Carefully wipe the exterior of the heater with a soft damp cloth and dry thoroughly with a dry cloth.

Over time dust may accumulate on the front vent of the heater, this can be removed by

wiping with a damp cloth, or carefully going across the vent with a vacuum cleaner with brush attachment.

Do not use harsh or abrasive cleaners to clean your heater, as these will damage the surface.



is a registered trademark of Sunbeam Corporation Limited.

Euro Plus is a trademark of Sunbeam Corporation Limited.

Made in France. Due to minor changes in design or otherwise, the product you buy may differ from the one shown in this leaflet.

Backed by Sunbeam's 3 Year Replacement Guarantee and National Service Network.

© Copyright. SUNBEAM CORPORATION LIMITED 2004.

(INCORPORATED IN N.S.W.) A.C.N. 000 006 771
Sunbeam Corporation is a division of GUD Holdings Ltd.

For more information or advice on this or any other Sunbeam appliance, visit www.sunbeam.com.au or contact the Sunbeam Consumer Service Line.

Australia 1800 025 059

New Zealand (09) 912 0747.



Consumer Hotline

Australia

1800 025 059


New Zealand

(09) 912 0747

www.sunbeam.com.au

Consumer information:

1800 025 059 or www.sunbeam.com.au

 is a registered Trademark of Sunbeam Corporation Limited. ACN 000 006 771.

© Sunbeam Corporation Limited 2002.

Free Manuals Download Website

<http://myh66.com>

<http://usermanuals.us>

<http://www.somanuals.com>

<http://www.4manuals.cc>

<http://www.manual-lib.com>

<http://www.404manual.com>

<http://www.luxmanual.com>

<http://aubethermostatmanual.com>

Golf course search by state

<http://golfingnear.com>

Email search by domain

<http://emailbydomain.com>

Auto manuals search

<http://auto.somanuals.com>

TV manuals search

<http://tv.somanuals.com>