

*Sunbeam*

# Sunbeam

## Washable Personal Groomer

Instruction Booklet  
MG4200

Please read these instructions carefully  
and retain for future reference.



# Contents

<b>Sunbeam's Safety Precautions</b>	<b>1</b>
<b>Features of your Washable Personal Groomer</b>	<b>2</b>
<b>Using your Washable Personal Groomer</b>	<b>4</b>
<b>Care and Cleaning of your Washable Personal Groomer</b>	<b>5</b>
<b>Help Line</b>	<b>5</b>

تذکرہ برائے حفاظت اور احتیاطی تدابیر

产品特点及可洗个人剃毛器

Assurance que les précautions et conseils relatifs à la sécurité sont bien compris

Verzekerung der Sicherheit der Gebrauchsanweisung

Безопасность использования и рекомендации по уходу за прибором

Facilkan pemahaman dan kepatuhan akan petunjuk keselamatan anda

Assurance que le matériel est en sécurité sans compromettre la durée

注意：安全事項と取扱の注意

Yardımla bu cihazın güvenli kullanımı için lütfen bu kılavuzun tamamını okuyun

Asegúrese de que las precauciones de seguridad de este aparato estén bien comprendidas

تذکرہ برائے حفاظت اور احتیاطی تدابیر

Безопасность использования и рекомендации по уходу за прибором

Facilkan pemahaman

Yardımla bu cihazın güvenli kullanımı için lütfen bu kılavuzun tamamını okuyun

Assurance que le matériel est en sécurité sans compromettre la durée

# Sunbeam's Safety Precautions

## SAFETY PRECAUTIONS FOR YOUR WASHABLE PERSONAL GROOMER.

- Keep out of the reach of children.
- Do not use the appliance if the rotating cutting blade is damaged.
- The appliance must only be used as described in this booklet.
- Do not insert the appliance further than 6mm into the ear or nose.
- This appliance is for household use only.
- Do not immerse the unit in water or any other liquid.
- Switch the appliance on before inserting into the ear or nose.
- If the appliance is not to be used for long periods, remove the battery before storing.
- Once the battery is dead, remove immediately and replace.

**Sunbeam are very safety conscious when designing and manufacturing consumer products, but it is essential that the product user also exercise care when using an electrical appliance. Listed below are precautions which are essential for the safe use of an electrical appliance:**

- Read carefully and save all the instructions provided with an appliance.
- Close supervision is necessary when your appliance is being used near children or infirm persons.
- Never leave an appliance unattended while in use.
- Young children should be supervised to ensure that they do not play with the appliance.
- Do not use an appliance for any purpose other than its intended use.
- Do not place an appliance on or near a hot gas flame, electric element or on a heated oven.
- Do not place on top of any other appliance.
- For safety reasons and to avoid maintenance by unskilled persons, some appliances are 'sealed' using tamperproof screws. Such appliances should always be returned to the nearest Sunbeam Appointed Service Centre for adjustment or repair if required.
- Do not immerse the appliance in water or any other liquid unless recommended.

If you have any concerns regarding the performance and use of your appliance, please visit [www.sunbeam.com.au](http://www.sunbeam.com.au) or contact the Sunbeam Consumer Service Line. Ensure the above safety precautions are understood.

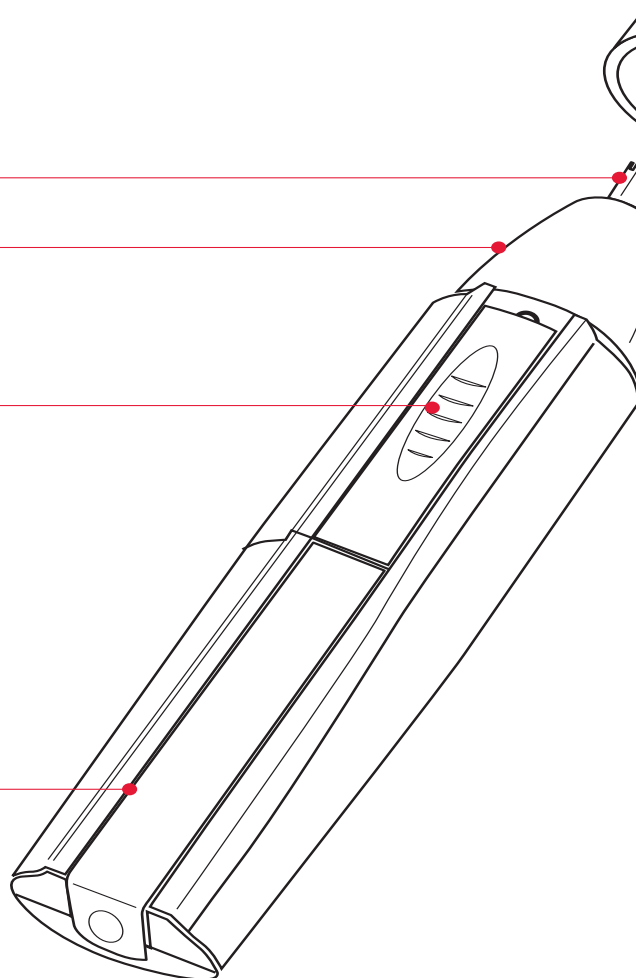
## Features of your Washable Personal G

Rotating cutting blade

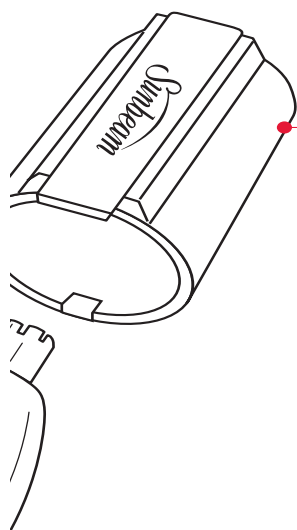
Blade holder

On/off switch

Battery compartment (battery not included)



roomer



Protective cap

# Using your Washable Personal Groomer

## **Inserting the Battery**

- Open the battery compartment by turning it anticlockwise and pulling it off.
- Insert one AA Alkaline battery.
- The label in the battery compartment clearly shows the direction to insert the battery.
- Replace the battery compartment and turn clockwise to lock back into position.

## **Using your Washable Personal Groomer.**

- Remove the protective cap and switch the appliance on.
- Insert the appliance into the ear or nose but no more than 6mm.
- Rotate in a circular movement.
- The appliance can also be used to trim stray eyebrow hairs. Move the appliance slowly and carefully keeping the unit away from the eye socket.

## Care and cleaning

- Do not immerse the appliance in water or any other liquid.
- The appliance can be wiped with a cloth dampened in water and a mild detergent. Rinse and dry thoroughly. The blade can be washed under a running tap. To do this, turn the blade holder anti-clockwise to remove from the unit. Ensure that the blade and casing are dry before reattaching.
- Do not rinse the entire unit in running water – only the blade section.
- Click the blade holder back into place by turning clockwise.
- Store in a cool, dry place.

## Help line

If you have any additional questions about using the Washable Personal Groomer, please call the Sunbeam help line in Australia on 1800 025 059. In New Zealand, please call 09 912 0747.

'Sunbeam', is a registered trademark of Sunbeam Corporation. Made in China. Due to minor changes in design or otherwise, the product may differ from the one shown in this leaflet. Backed by Sunbeam's 2 Year Replacement Guarantee and National Service Network.

© Copyright. SUNBEAM CORPORATION LIMITED 2003.

(INCORPORATED IN N.S.W.) A.C.N. 000 006 771

Sunbeam Corporation is a division of GUD Holdings Ltd.

For more information or advice on this or any other Sunbeam appliance, visit [www.sunbeam.com.au](http://www.sunbeam.com.au) or contact the Sunbeam Consumer Service Line.

**Australia 1800 025 059**

**New Zealand (09) 912 0747.**

# Service Centre Listing Australia and New Zealand

We recommend that you contact your nearest Service Centre before posting or forwarding an appliance.  
When requesting replacement parts always quote the model number of your appliance.

## NEW SOUTH WALES/ACT

<b>ALBURY</b>	Mid State Small Appliance Service 435 Dean Street NSW 2640 Ph: 02 6021 7410 Fax: 02 604 12349 Contact: Les Mather
<b>ARMIDALE</b>	Spark & Co. 210 Barney Street NSW 2350 Ph: 02 6772 9112 Fax: 02 6772 5411 Contact: Lyn Moore
<b>ASHFIELD</b>	Ashfield Appliances 126 Parramatta Road NSW 2131 Ph: 02 9798 5590 9798 6133 Fax: 02 9716 6393 Contact: Michael Wroblewski
<b>BANKSTOWN</b>	Adams Appliances 11 Apian Way NSW 2200 Ph: 02 9791 6655 Fax: 02 9791 6655 Contact: Anne & Adam
<b>BATHURST</b>	Serv U Appliance Centre Pty Ltd Unit 1/94a Bentnick St NSW 2795 Ph: 02 6331 1356 Fax: 02 6331 2102 Contact: Grahame Kilby
<b>BEGA</b>	Sapphire Electronics Unit 3/5 Bega St NSW 2550 Ph: 02 6492 2522 Fax: 02 6492 2522 Contact: Larry Lockerbie
<b>BONDI JUNCTION</b>	BJ Appliance Repairs 240 Oxford Street NSW 2025 Ph: 02 9389 7396/7897 Fax: 02 9369 1796 Contact: Suzanne or John
<b>BROKEN HILL</b>	Visual Audio 510 Chapel Street NSW 2880 Ph: 08 8087 4055 Fax: 08 8087 4055 Contact: Lorna Trappel
<b>CAMPBELLTOWN</b>	Viking Appliance Centre 5/9 Mill Rd NSW 2560 Ph: 02 4625 3540 Fax: 02 4625 3540 Contact: Glenn Small
<b>CANBERRA</b>	United Electronics 66 Maryborough Street Fyshwick ACT 2609 Ph: 02 6239 1622 Fax: 02 6239 1624
<b>CARLTON</b>	Parker Electrical 49-51 Andover Street Carlton NSW 2218 Ph: 02 9588 5044 Fax: 02 987 9805 Contact: John Parker
<b>CHARLESTOWN</b>	Charlestown TV & Video Service Shop 2 163 Pacific Hwy NSW 2290 Ph: 02 4943 7756 Fax: 02 4943 7511 Contact: Graeme Motum
<b>COFFS HARBOUR</b>	Beatons Home Appliances 1/6 BT Seccombe Close Off Orlando Street NSW 2450 Contact: Jill Beaton Ph: 02 6651 2551 Fax: 02 6652 8587

<b>DUBBO</b>	Mid State Washer Service 5 Hopkins Pd NSW 2830 Ph: 02 6882 4821 Fax: 02 6884 2245 Contact: David Payne
<b>GLADESVILLE</b>	Able Repairs 1 Massey Street NSW 2111 Ph: 02 9879 6433 Fax: 02 9879 6146 Contact: Kerri Hay
<b>GOSFORD</b>	Gerry's Electrical Appliance 225 Albany St NSW 2250 Ph: 02 4324 1499 Fax: 02 4324 7407 Contact: Edgar Griesberg
<b>GRAFTON</b>	Big River Appliance Repairs 53 Armidale St NSW 2460 Ph: 02 6643 2722 Fax: 02 6642 5150 Contact: Michael Tattis
<b>GRIFFITH</b>	Luke's Appliance Service Level 1/ 144 Banna Ave NSW 2800 Ph: 02 6962 7611 Fax: 02 6962 7611 Contact: Luke Parisotto
<b>GUNNEDAH</b>	Hartley Electrical 37 Chandos Street Gunnedah NSW 2380 Contact: Ken Hartley Ph: 02 67420 222 Fax: 02 67420 222
<b>KEMPSEY</b>	Chris Conn Electrics & Appliances 31 Forth St NSW 2440 Ph: 02 6563 1998 Fax: 02 6562 2944 Contact: Chris Conn
<b>KIAMA</b>	Lou's Appliances 4 Tingira Cres NSW 2533 Ph: 02 4232 3525 Fax: 02 4232 3038 Contact: Lou Anthony
<b>LISMORE</b>	Lismore Appliance Rep 72 Keen St NSW 2480 Ph: 02 6621 9432 Contact: Mark Hart
<b>LIVERPOOL</b>	Liverpool Washing Machine Service Pty Ltd Shop 6, 11 Grimson Crescent NSW 2170 Ph: 02 9821 1281 Fax: 02 9821 1314 Contact: Max Jones
<b>MACKSVILLE</b>	Webbers Retraivision 9 Wallace Street Ph: 02 656 81122 Fax: 02 656 82410 Contact: Doug Webber
<b>NOWRA</b>	Ewing Electrical 97 Plunkett Street NSW 2541 Contact: Graehame Ewing Ph: 02 4421 8412 Fax: 02 4422 1267
<b>PARKES</b>	Wilson's Services Centre 98 Clarinda Street NSW 2870 Ph: 02 6862 6261 Fax: 02 6862 3056 Contact: David Wilson

<b>PENNANT HILLS</b>	Teletronic TV & Video 290 Penmant Hills Road Ph: 02 9980 7346 Fax: 02 9980 7347 Contact: Juliette
<b>PENRITH</b>	Young's Appliance Spares Shop 10, 98 Henry St NSW 2750 Ph: 02 47 323 594 Fax: 02 47 211091 Contact: Ernie Fayle
<b>PENSHURST</b>	Masis Electronics 17 Peshurst Street NSW 2222 Ph/Fax: 02 9580 2288 Contact: Mathew Masis
<b>PORT MACQUARIE</b>	Bellbowrie Appliance Unit 24 Bellebowie Park NSW 2444 Ph/Fax: 02 6584 3838 Contact: Dan Thompson
<b>ROSEVILLE</b>	Chatswood Appliance Spare Parts 486 Panshurst St NSW 2069 Ph: 02 9417 3999 Fax: 02 9417 8817 Contact: Ian Johnson
<b>SEVEN HILLS</b>	O'Brien Electrical 3/14 Abbot Road NSW 2147 Ph: 02 9620 8188 Fax: 02 9620 8866 Contact: Tien Dao
<b>ST IVES</b>	St Ives Electronics Shop 26 St Ives Village NSW 2075 Ph: 02 9986 4642 Fax: 02 9449 8808 Contact: Janet & Peter Collins
<b>SINGLETON</b>	Electrical Spares & Repairs 1 Pitt Street NSW 2330 Contact: Stanley Gould Ph: 02 6571 1644 Fax: 02 6572 2755
<b>SUTHERLAND</b>	Southside Elements 752 Old Princess Hwy NSW 2232 Ph: 02 9521 8288 Fax: 02 9545 1982 Contact: Steve Lawson
<b>TAMWORTH</b>	Appliance Care 4/154 Bridge St NSW 2340 Ph: 02 6765 2865 Contact: Arnold Brockman
<b>TAREE</b>	Emertons Home Appliance 35 Manning St NSW 2430 Ph: 02 6552 3444 Fax: 02 6552 7351 Contact: Noel Emerton
<b>WAGGA WAGGA</b>	Millers Appliance Repairs & Sales 108 Kincaid Street Ph: 02 6921 2628 Fax: 02 6921 1111 Contact: Graham Atkinson
<b>WOLLONGONG</b>	Upton's Appliances 1/233 Crown St NSW 2500 Ph/Fax: 02 4229 6632 Contact: Rob/Janelle



**VICTORIA**

**MARIBYRNONG** Sunbeam Factory Outlet  
8 Sloane St VIC 3032  
Ph: 03 9319 4965  
Fax: 03 9317 8123  
*(DO NOT REFER REPAIRS HERE)*  
Contact: Paul Borg

**BAIRNSDALE** Porters  
132 Main St VIC 3875  
Ph: 03 5152 4540  
Fax: 03 5152 1755  
Contact: Jack Porter

**BALLARAT** John Thomas & Co  
4 Dawson St VIC 3350  
Ph: 03 5331 3099  
Fax: 03 5333 3850  
Contact: John Thomas

**BENDIGO** Sumner Electronics Pty Ltd  
66 Garsed St VIC 3550  
Ph: 03 5443 1977  
Fax: 03 5441 5562  
Contact: George Sumner

**BOX HILL** Mian Electronics  
943-945 Whitehorse Rd  
VIC 3128  
Ph: 03 9890 9426  
Fax: 03 9899 5427  
Contact: Micheal Douglas

**BRUNSWICK** Kinnear Electrical Appliance Repairs  
Cnr Brunswick & Grantham St  
West Brunswick VIC 3055  
Ph: 03 9387 9531  
Fax: 03 9388 1583  
Contact: John Kinnear

**DANDENONG** Ellis Electrical  
323 Thomas St VIC 3175  
Ph: 03 9791 1486  
Fax: 03 9792 9222  
Contact: Brian Dwyer

**ECHUCA** Vincent's Retravision  
174 Annesley St VIC 3625  
Ph: 03 5482 1966  
Fax: 03 5482 5585  
Contact: Greg Vincent

**GEELONG** Julian's Appliance Service  
78 Pyrie St VIC 3220  
Ph: 03 5229 1971  
Fax: 03 5229 5959  
Contact: Julian Lanning

**HAMILTON** Robert Linke Electrical  
82 Lonsdale Street VIC 3300  
Ph/Fax: 03 5572 5788  
Contact: Robert Linke

**HEIDELBERG** All Appliance Service & Sales  
154 Burgundy St VIC 3084  
Ph: 03 9459 9848  
Fax: 03 9459 1016  
Contact: Marshall Dwyer

**MALVERN** Mian Electronics  
196 Glenferrie Rd, VIC 3144  
Ph: 03 9576 1600  
Fax: 03 9576 1409  
Contact: Mian

**MILDURA** Graylings Electrical  
689-691 Fifteenth Street VIC 3500  
Ph: 03 5021 4656  
Fax: 03 5023 6551  
Contact: Phillip Grayling

**MILDURA** Jack Abel  
2-4 Tenth Street  
Contact: George Riordan VIC 3502  
Ph: 03 5023 0251  
Fax: 03 5023 3598

**MOORABBIN** Barling Elements  
Shop 2/8 Station Street VIC 3189  
Ph: 03 9535 2612  
Fax: 03 9555 2723  
Contact: Keith Cope

**MOOROPNA** Chapmans TV & Video Repairs  
81 McLennan Street VIC 3189  
Ph/Fax: 03 5825 3644  
Contact: Russell Chapman

**MORWELL** Webster's Appliance Service Centre  
Bldg 2, Lot 5 Vestan Drive VIC 3840  
Ph: 03 5134 9543  
Fax: 03 5134 4097  
Contact: Bruce Carne

**SWAN HILL** Swan Hill Appliance Service  
257 Beveridge St, VIC 3585  
Ph/Fax: 03 5032 3262  
Contact: Robert Masters

**WARRNAMBOOL** Western Electrical Service  
223 Lava Street VIC 3280  
Ph/Fax: 03 5562 5060  
Contact: Bill Stewart

**QUEENSLAND**

**AYR** Coral Coast Electrical  
133a Edwards Street  
Contact: Julie Jorgenson  
QLD 4807  
Ph: 07 4783 4711  
Fax: 07 4783 4835

**BEERWAH** Beerwah Electronics  
Turner Park Shopping Centre  
Peacheater Road QLD 4519  
Contact: Garth Stone  
Ph: 07 5494 0466  
Fax: 07 5494 0146

**BUNDABERG** Digger Theile Electric Pty Ltd  
37 Perry St, QLD 4670  
Ph: 07 4152 1522  
Fax: 07 4153 2215  
Contact: Digger Theile

**CAIRNS** Kennedys Electrical Centre  
101 Mcleod St QLD 4870  
Ph: 07 40 31 3155  
Fax: 07 4031 9177  
Contact: Mike Schram

**CLEVELAND** Patricks Electrical  
Shop 10 Ross Court Centre  
Cnr Bloomfield & Ross Court QLD 4163  
Ph: 07 3821 1420  
Contact: Ray McAlees

**GYMPIE** Shepherd's Electrical  
56-58 Duke Street QLD 4570  
Contact: John Shepard  
Ph: 07 5482 7522  
Fax: 07 5482 1437

**HERVEY BAY** Hervey Bay Home Appliance Repairs  
90 Dayman Street QLD 4655  
Contact: J. Murphy  
Ph: 07 4125 3975  
Fax: 07 4125 3374

**MACKAY** Appliance Spares & Repairs  
151 Victoria St QLD 4740  
Ph: 07 49 51 1644  
Fax: 07 4951 1880  
Contact: Steve Hayes

**MAROOCHYDORE** Suncoast Appliance Services  
11 Kayleigh Dr QLD 4558  
Ph: 07 54433644  
Fax: 07 5443 2514  
Contact: Robert Cook

**MT GRAVATT** Mr. Sparky Appliance Repairs  
Garden City Shoppingtown  
Logan Rd QLD 4122  
Contact: Daniel Rowe  
Ph: 07 3349 7607  
Fax: 07 3849 2433

**MT ISA** P & R Electrical Servicing  
31 Arline St QLD 4825  
Ph: 07 47 43 3354  
Fax: 07 4743 6766  
Contact: Mr Mathews

**NAMBOUR** Nambour Electrical  
60 Price Street QLD 4560  
Ph: 07 5441 1677  
Fax: 07 5441 6113  
Contact: Sue Armstrong

**NUNDAH** Nundah Small Appliances & Service  
2/8 Eton Street QLD 4012  
Ph: 07 3266 1867  
Fax: 07 3266 3111  
Contact: Mike McCann

**ROCKHAMPTON** Leenders Electrical  
13 Murray St QLD 4700  
Ph: 07 49 27 2922  
Fax: 07 4927 1187  
Contact: Mike Molachan

**SOUTHPORT** Electric Care  
1 Windmill Street Southport  
Ph: 07 5527 0508  
Contact: Don Douglas

**STRATHPINE** Starks Appliance Repair  
Unit 4/167 Gympie Road  
Strathpine Qld 4500  
Ph/Fax: 07 320 51350  
Contact: Sue & Les

**STH TOWNSVILLE** Mac's Electrix  
51 Perkins St QLD 4810  
Ph: 07 47 72 1519  
Contact: Alan McMahon

**TOOWOOMBA** Toowoomba Appliance Parts  
123 Campbell St QLD 4350  
Ph: 07 4638 0311  
Fax: 07 4638 4166  
Contact: Brenda & Mark

**TOOWOOMBA** Week's Electrical Pty Ltd  
233 Ruthven St QLD 4350  
Ph: 07 46 32 7420  
Contact: Alan Weekes

**TOOWONG** Spark's Small Appliances  
40 High Street QLD 4066  
Ph: 07 3871 2300  
Fax: 07 3871 2400  
Contact: Danny Birang

**TWEED HEADS** Nelson Appliances  
59 Boyd Street NSW 2485  
Ph: 07 5536 3711  
Fax: 07 5536 3719  
Contact: Dan Hayden

**WOOLLOONGABA** Brisbane Appliance Service Centre  
55 Ipswich Road QLD 4102  
Ph: 07 3391 0360  
Fax: 07 3391 0361

**SOUTH AUSTRALIA**

**ADELAIDE** Adelaide Shaver Centre  
21 Twin St SA 5000  
Ph: 08 8223 1094  
Fax: 08 8224 0511  
Contact: David Flavel or Joe Vella

**MODBURY** Adelaide Shaver Centre  
Shop 8, Tea Tree Plus Shopping Centre  
SA 5095  
Ph: 08 8396 6311  
Fax: 08 8396 6322  
Contact: Bruce Penny

**MT GAMBIER** Moulden's Home Appliance Service  
35 Percy St, SA 5290  
Ph: 08 8725 1244  
Fax: 08 8723 2065  
Contact: David or Meredith

**PARK HOLME** Adelaide Shaver Centre  
Park Holme Shopping Centre  
319 Oaklands Road SA 5043  
Ph: 08 8357 5800  
Fax: 08 8357 5833  
Contact: Bill Riddle or Brian Bishop

**WEST LAKES** Adelaide Shaver Centre  
Shop 202 West Lakes Mall  
West Lakes SA 5021  
Ph: 08 8353 0655  
Contact: Brian & Jan Holloway

## WESTERN AUSTRALIA

<b>ALBANY</b>	Microwave Electrical Service Terrace Centre Arcade 96 Stirling Street WA 6330 Ph: 08 9842 2168 Contact: Geoff Collins
<b>BELMONT</b>	Anything Electrical 50 Belvedere Street WA 6104 Ph: 08 9479 6116 Contact: Phil Hawkins Fax: 08 9479 6117
<b>GERALDTON</b>	Geoff's Electrical 3/213 Place Road WA 6530 Ph/Fax: 08 9964 5655 Contact: Geoff Perks
<b>KARDINYA</b>	Elements & Appliance Unit 5/21 Weatherburn Way Fremantle WA 6163 Ph: 08 9314 1022 Fax: 08 9314 2299 Contact: Kevin Ingram
<b>MANDURAH</b>	Discount Appliance Unit 2/19 Rafferty Road WA 6210 Ph: 08 9535 3244 Fax: 08 9535 2144 Contact: Kristy Pitcher
<b>MANJIMUP</b>	Warren Electrical 7 Rose Street WA 6258 Ph: 08 9771 8220 Fax: 08 9771 2744 Contact: Robert
<b>MIDLAND</b>	B & J.L. Woodcock 4 Stafford Street WA 6056 Ph: 08 9274 5122 Fax: 08 9274 4824 Contact: Gary Woodcock
<b>ROCKINGHAM</b>	Rocky City Electrical 1/4 Ambrose Street WA Ph: 08 9527 3599 Fax: 08 9592 1819 Contact: Tracey Panizza
<b>WANGARA</b>	Electrical Spares & Service 2/12 Buckingham Drive WA 6947 Ph: 08 9409 8411 Fax: 08 9309 3830 Contact: Ken Stokes
<b>WEMBLEY</b>	Goddens Electrical Pty Ltd 332B Cambridge St WA 6014 Ph: 08 9387 4444 Fax: 08 9383 7003 Contact: Steve or Dennis
<b>NORTHERN TERRITORY</b>	
<b>WINNELLIE</b>	Mr. Vac 18 Menmuir Street NT 0821 Ph: 08 8947 1838 Fax: 08 8947 2868
<b>TASMANIA</b>	
<b>BURNIE</b>	The Appliance Clinic Pty Ltd 14 North Terrace TAS 7320 Ph: 03 6431 6857 Contact: Ross Arnold
<b>DEVONPORT</b>	Quickserv TV & Electrical Pty Ltd 4 Elisabeth St TAS 7310 Ph: 03 6424 1033 Fax: 03 6424 3545 Contact: Steve Posthumus
<b>HOBART</b>	B&W Appliances Sales & Service 284B Argyle Street TAS 7000 Ph: 03 6234 8989 Fax: 03 6231 1512 Contact: Max & Ken
<b>LAUNCESTON</b>	Northern Electrical Services 126 Charles Street TAS 7250 Ph: 03 6331 3971 Contact: Rhys Harding Fax: 03 6331 3992
<b>LAUNCESTON</b>	United Customer Service 127 Wellington Street TAS 7250 Ph: 03 6334 0066 Fax: 03 633 3215

## NEW ZEALAND – NORTH ISLAND

<b>NORTHLAND KERI KERI</b>	Adtech Services Ltd. Keri Keri Road Ph: 09 407 6370 Fax: 09 407 6920
<b>WHANGAREI</b>	Mc Kay Electrical Whangarei Ltd 38 Water Street Ph: 09 438 2879 Fax: 09 438 3429
<b>AUCKLAND</b>	
<b>MT ROSKILL</b>	Rankin McManus Electrical 758 Dominion Road Mt Roskill Ph: 09 620 9006 Fax: 09 6204334
<b>TAKAPUNA</b>	Westmere Radio & Electrical 327A Wairau Rd, Takapuna Ph/Fax: 09/444 8324
<b>MANUKAU</b>	Manukau Appliance Serv Centre 6 Mana Place, Wiri Ph: 09 262 3388 or 09 262 3170
<b>HENDERSON</b>	Henderson TV & Electrical 103 Lincoln Rd Ph: 098386940
<b>WAIKATO</b>	
<b>HAMILTON</b>	Kings Radio Service 36 Harwood Street Ph: 07 839 3912 Fax: 07 834 2475
<b>BAY OF PLENTY</b>	
<b>TAURANGA</b>	Chaps Complete Home Service 173 Chadwick Rd, Greerton Ph: 07 578 4182
<b>MT MAUNGANUI</b>	The Electrical Home Service Co. 512 Maunganui Rd, Mt Maunganui Ph: 07 574 0298
<b>NORTH ISLAND</b>	
<b>WAIHI</b>	Waihi Electrical Box 64 Seddon St, Waihi Ph: 07 863 8742 Fax: 07 963 6863
<b>ROTORUA</b>	Robertson Home Appliances 1180 Haupapa Street Rotorua Ph: 07 348 0313
<b>OPOTIKI</b>	Opotiki Appliance Service 19 Elliot Street Ph/Fax: 07 315 6445
<b>HAWKES BAY</b>	
<b>GISBORNE</b>	GISBORNE Electrical 155 Grey Street Ph: 06 867 6319 Fax: 06 868 6132
<b>NAPIER</b>	Duckworth's Customer Service Cnr Cadbury Austin St Onekawa Ph: 06 843 3292 Fax: 06 843 3287
<b>HASTINGS</b>	Hector Jones King Street North Ph: 06 843 3292 Fax: 06 876 0800
<b>KING COUNTRY</b>	
<b>TAUMARUNUI</b>	Taumarunui Electrical Service 91 Hakiaha Street Ph/Fax: 07 895 7993
<b>TARANAKI</b>	
<b>WAITARA</b>	Des O'Connor Electrical 8 Fox Street, Okato Ph/Fax: 06 752 4999

## RANGITIKEI

<b>WANGANUI</b>	Home Appliance Doctors 27 Heads Road Ph: 06 348 8520 Fax: 06 348 8522
-----------------	--

## NORTH ISLAND – MANAWATU

<b>PALMERSTON NORTH</b>	Leader & Watt Ltd 153-163 Rangitikei Street Ph: 06 356 5123 Fax: 06 356 8111 B&M Electrical Cnr Princess & Dahlia Street Ph: 06 356 4912 Fax: 06 356 9273
-----------------------------	--

## PARAPARAUMU

<b>HOROWHENUA</b>	K&S Appliances 23 Ihakara Street Ph/Fax: 04 298 6783
-------------------	--

## WELLINGTON

<b>WELLINGTON</b>	Capital Appliance Care 90 Abel Street Ph: 04 801 7590 Fax: 04 801 7592
-------------------	---

<b>UPPER HUTT</b>	Upper Hutt Electrical 208 Main Street Ph: 04 528 2195 Fax: 04 528 3195
-------------------	---

## SOUTH ISLAND – MARLBOROUGH

<b>BLENHEIM</b>	Blenheim Electrical House 42 Main Street Ph: 03 578 3564 Fax: 03 577 8605
-----------------	--

<b>NELSON</b>	Nelson Appliance Repair Centre 36 Gloucester Street Ph/Fax: 03 548 8738
---------------	---

<b>RICHMOND</b>	Nelson Home Appliance 265 Queen Street Ph/Fax: 03 544 6317
-----------------	--

## CANTERBURY

<b>CHRISTCHURCH</b>	Saxon Appliances 383 Wilson's Road Ph: 03 365 6792
---------------------	--

## MID CANTERBURY

<b>ASHBURTON</b>	Smith & Church Retravision Kermode Street Ph: 03 308 9019 Fax: 03 308 5583
------------------	---

<b>TIMARU</b>	Gabites Appliance Services 22 North Street Ph: 03 688 0949 Fax: 03 688 9490
---------------	--

## NORTH OTAGO

<b>OMARU</b>	Hills Appliance Service 6 Tees Street Ph/Fax: 03 434 8557
--------------	---

## OTAGO

<b>DUNEDIN</b>	Clarke Electrical 29 Leith Street Ph: 03 47702350 Fax: 03 47702309
----------------	---

## SOUTH ISLAND – CENTRAL OTAGO

<b>ALEXANDRIA</b>	Appliance & Powertools Repairs 15 Tarbert Street Ph: 03 448 5217 Fax: 03 448 5217
-------------------	--

<b>TE ANAU</b>	Fjordland Electrical 120 Milford Rd Ph: 03 249 7319 Fax: 03 249 8327
----------------	---

## SOUTHLAND

<b>INVERCARGILL</b>	P D Patton (1979) Ltd 96 Kelvin St Ph: 03 218 2159
---------------------	--

The Sunbeam logo is displayed in a white, cursive font within a red rectangular box.

# 2 Year Replacement Guarantee

We are so confident of the quality of our product, should this appliance develop any malfunction within 2 years of purchase (3 Months commercial use) due to faulty materials or manufacture, we will replace it for you absolutely free.

Should you experience any difficulties with your appliance, please phone our Free Call customer service line for advice on 1800 025 059 in Australia, or phone (09) 912 0747 in New Zealand.

Alternatively, simply return the faulty appliance to your place of purchase, along with your purchase receipt.

Your Sunbeam 2 Year Replacement Guarantee naturally does not cover misuse or negligent handling, and excludes breakables such as glass or ceramic items, and normal wear and tear.

In Australia, this guarantee is additional to the conditions and guarantees which are mandatory as

implied under the Trade Practices Act 1974 and State and Territory legislation.

#### **Sunbeam Service Centres**

Sunbeam has established a network of authorised service centres throughout Australia and New Zealand to provide quick, convenient service for our customers.

Should your appliance require repair or service, either during or after the guarantee period, take it to your nearest Service Centre (see over page for complete list of Service Centres). If it is not convenient for you to take the appliance to the Service Centre in person, send it to the nearest Service Centre.

To ensure quick service, prepare a tag stating your full name and address, and the nature of the complaint, and attach it to your appliance. Pack your appliance carefully in a strong carton surrounded by newspaper or other supportive packing material to prevent damage. Clearly address it to the selected service centre, and include your name, address and phone number on the outside of the package.



## Consumer Hotline

Australia  
1800 025 059

New Zealand  
(09) 912 0747

[www.sunbeam.com.au](http://www.sunbeam.com.au)

 is a registered Trademark of Sunbeam Corporation Limited. ACN 000 006 771.

© Sunbeam Corporation Limited 2004.

## Free Manuals Download Website

<http://myh66.com>

<http://usermanuals.us>

<http://www.somanuals.com>

<http://www.4manuals.cc>

<http://www.manual-lib.com>

<http://www.404manual.com>

<http://www.luxmanual.com>

<http://aubethermostatmanual.com>

Golf course search by state

<http://golfingnear.com>

Email search by domain

<http://emailbydomain.com>

Auto manuals search

<http://auto.somanuals.com>

TV manuals search

<http://tv.somanuals.com>