

*Sunbeam*

# Kettle King<sup>®</sup>

## Outdoor Electric BBQ Oven

Instruction Booklet  
HG6600B

Please read these instructions carefully  
and retain for future reference.



# Contents

<b>Sunbeam's Safety Precautions</b>	<b>3</b>
<b>Features of your Kettle King</b>	<b>4</b>
<b>Using your Kettle King</b>	<b>6</b>
<b>BBQ Oven Cooking in your Kettle King</b>	<b>8</b>
<b>Tips to cooking a great steak</b>	<b>9</b>
<b>Tips to cooking great fish fillets</b>	<b>9</b>
<b>Care and Cleaning</b>	<b>10</b>
<b>Guide to Meat and Poultry Cooking Times and Temperatures</b>	<b>11</b>
<b>Recipes</b>	<b>13</b>

## Important instructions – retain for future use.

تأكد من تفهم احتياطات السلامة المذكورة اعلاه

請務必理解上述的安全預防措施。

Assurez-vous que les précautions ci-dessus relatives à la sécurité sont bien comprises

Versichern Sie sich, dass die obenstehenden Sicherheitsmaßnahmen verstanden werden

Βεβαιώνετε πως οι παραπάνω προφυλάξεις ασφαλείας γίνονται κατανοητές

Pastikan bahwa tindakan-tindakan keselamatan seperti di atas dimengerti anda

Accertatevi che le suddette norme di sicurezza siano comprese a dovere

上記の注意事項をよくお読みになり、安全を御確認ください

Уверете се дека погоре споменатите мерки на претпазливост се добро разбрани

Asegúrese de que las precauciones de seguridad precedentes sean bien comprendidas

کاری بکنید کہ احتیاط‌های بالا حتماً درک بشوند

ต้องแน่ใจว่า ข้อควรระวังเรื่องความปลอดภัยข้างต้น เป็นที่เข้าใจกันดี

Yukarda belirtilen güvenlik önlemlerinin anlaşılığundan emin olunuz

Xin kiểm chắc rằng những biện pháp làm an toàn kể trên được hiểu rõ

# Sunbeam's Safety Precautions

## SAFETY PRECAUTIONS FOR YOUR KETTLE BBQ

- Do not immerse the control probe in water or any other liquid.
- Do not use the control probe in any other appliance.
- Do not leave the control probe in the appliance when storing outdoors.
- For indoor use, adequate ventilation or an exhaust fan is recommended.
- Use well away from walls and curtains.
- Do not leave plastic utensils in contact with appliance while cooking.
- Only use appliance fully assembled with all parts correctly in place, as specified in this instruction book.
- Do not use the stand for any purpose other than to support your Kettle King BBQ Oven.

**Sunbeam is very safety conscious when designing and manufacturing consumer products, but it is essential that the product user also exercise care when using an electrical appliance. Listed below are precautions which are essential for the safe use of an electrical appliance:**

- Read carefully and save all the instructions provided with an appliance.
- Always turn the power off at the power outlet before you insert or remove a plug. Remove by grasping the plug - do not pull on the cord.
- Turn the power off and remove the plug when the appliance is not in use and before cleaning.
- Do not use your appliance with an extension cord unless this cord has been checked and tested by a qualified technician or service person.
- Always use your appliance from a power outlet of the voltage (A.C. only) marked on the appliance.
- This appliance is not intended for use by persons (including children) with reduced physical, sensory or mental capabilities, or lack of experience and knowledge, unless they have been given supervision or instruction concerning use of the appliance by a person responsible for their safety.
- Children should be supervised to ensure that they do not play with the appliance.
- The temperature of accessible surfaces may be high when the appliance is operating.
- Never leave an appliance unattended while in use.
- Do not use an appliance for any purpose other than its intended use.
- Do not place an appliance on or near a hot gas flame, electric element or on a heated oven.
- Do not place on top of any other appliance.
- Do not let the power cord of an appliance hang over the edge of a table or bench top or touch any hot surface.
- Do not operate any electrical appliance with a damaged cord or after the appliance has been damaged in any manner. If damage is suspected, return the appliance to the nearest Sunbeam Appointed Service Centre for examination, repair or adjustment.
- For additional protection, Sunbeam recommend the use of a residual current device (RCD) with a tripping current not exceeding 30mA in the electrical circuit supplying power to your appliances.
- Do not immerse the appliance in water or any other liquid unless recommended.
- Appliances are not intended to be operated by means of an external timer or separate remote control system.
- This appliance is intended to be used in household and similar applications such as: staff kitchen areas in shops, offices and other working environments; farm houses; by clients in hotels, motels and other residential type environments; bed and breakfast type environments.

If you have any concerns regarding the performance and use of your appliance, please visit [www.sunbeam.com.au](http://www.sunbeam.com.au) or contact the Sunbeam Consumer Service Line.

Ensure the above safety precautions are understood.  
Downloaded from [www.Sunbeam.com.au](http://www.Sunbeam.com.au) Manuals Search And Download.

# Features of your Kettle King®

## Cool touch handles

Cool touch handles on the hotplate and base for easy assembly and portability.

## Temperature gauge

Allows you to constantly monitor cooking temperatures, ensuring that the perfect meal is achieved everytime.

## Powerful 2400 watt element

The cast-in element is oval in shape for even heat distribution and a super fast heat-up.

## Utensil rack

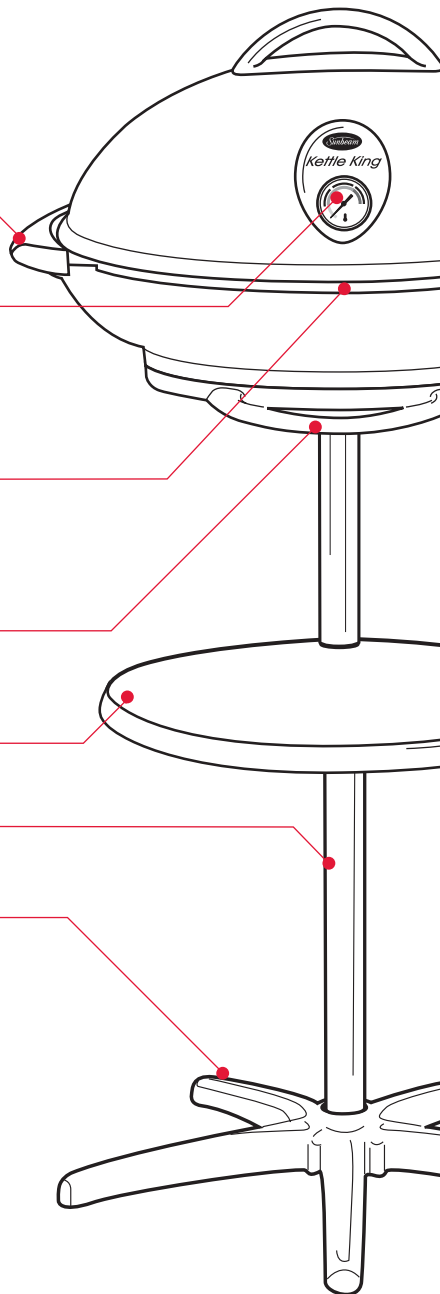
Ideal for resting utensils on whilst barbecuing.

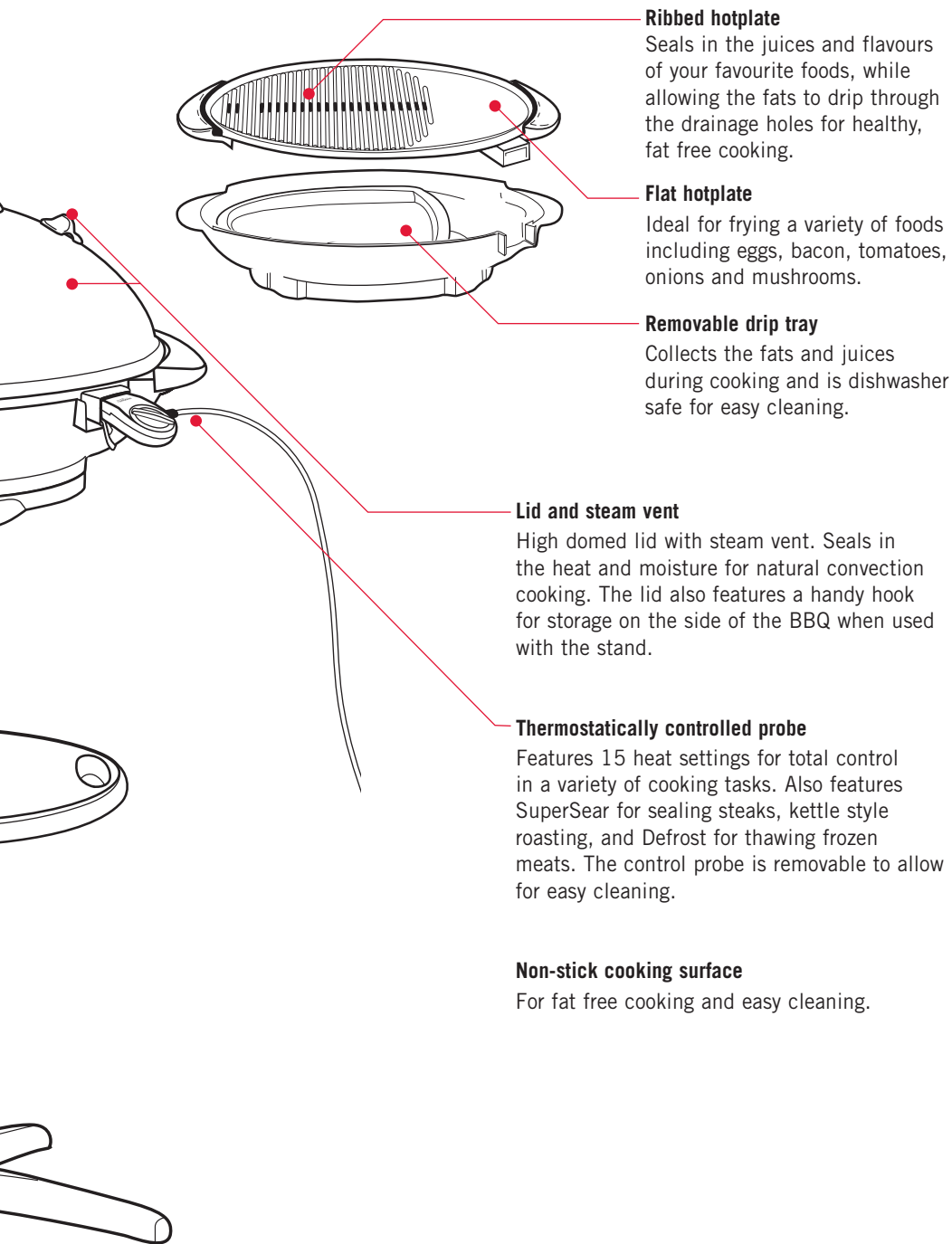
## Self locating swivel shelf

## Space saving stand

## Moulded base

Made from durable, heat resistant nylon, the base supports the hotplate and drip tray.





**Ribbed hotplate**

Seals in the juices and flavours of your favourite foods, while allowing the fats to drip through the drainage holes for healthy, fat free cooking.

**Flat hotplate**

Ideal for frying a variety of foods including eggs, bacon, tomatoes, onions and mushrooms.

**Removable drip tray**

Collects the fats and juices during cooking and is dishwasher safe for easy cleaning.

**Lid and steam vent**

High domed lid with steam vent. Seals in the heat and moisture for natural convection cooking. The lid also features a handy hook for storage on the side of the BBQ when used with the stand.

**Thermostatically controlled probe**

Features 15 heat settings for total control in a variety of cooking tasks. Also features SuperSear for sealing steaks, kettle style roasting, and Defrost for thawing frozen meats. The control probe is removable to allow for easy cleaning.

**Non-stick cooking surface**

For fat free cooking and easy cleaning.

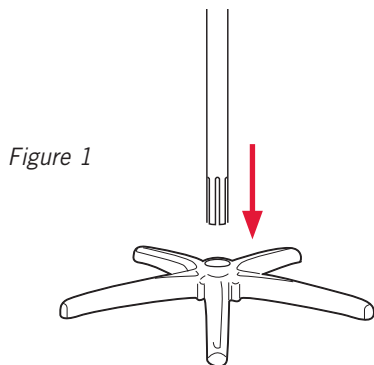
# Using your Kettle King®

## Before first use

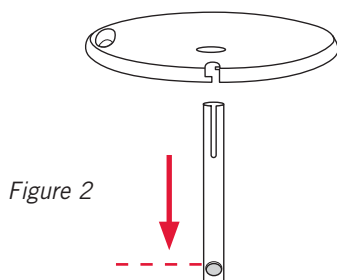
Remove any stickers from the hotplate. Wash the hotplate and drip tray in warm soapy water using a mild household detergent. Dry hotplate and drip tray thoroughly.

## To assemble the stand

1. Place the base of the stand on a flat level surface. With the slots to the bottom, insert the metal tube into the hole in the centre of the base and push down firmly. See figure 1.



2. Place the swivel shelf over the metal tube with the handle on your left. Slide the shelf down the metal tube until it rests on the two plastic pins. See figure 2.



**Note:** Never attempt to remove the plastic pins from the metal tube, as these are the locators for the swivel shelf.

3. Place the top shelf onto the metal tube with the utensil rack facing away from you and align it with the swivel shelf. See figure 3. Push down firmly in the centre of the top shelf to secure it.

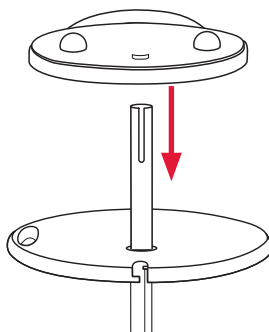


Figure 3

4. Place the base of the Kettle King on the top shelf and fit it into position. The base is correctly positioned when it is flush with the top shelf of the stand on all sides. See figure 4.

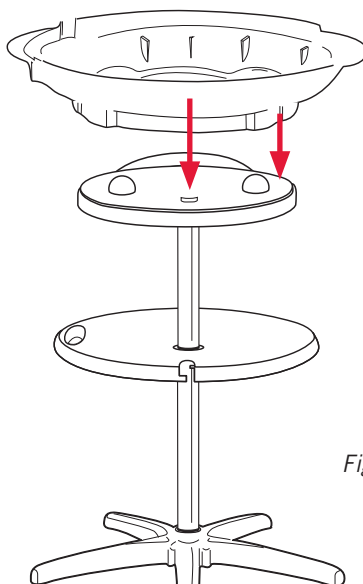


Figure 4

## Using your Kettle King (continued)

5. Place drip tray into base. See figure 5. For easy cleaning line the drip tray with aluminium foil. This will collect the fats and juices.

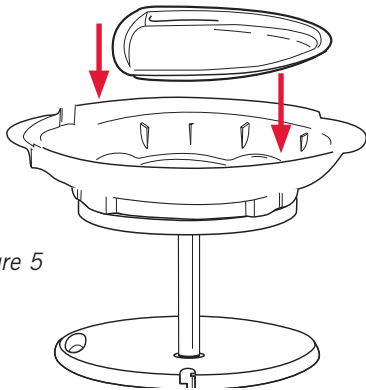


Figure 5

6. Position the hotplate over base and drip tray. See figure 6.

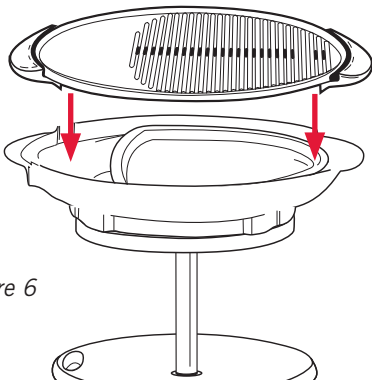


Figure 6

**Note:** For better non-stick performance, 'season' the cooking surface of the hotplate by applying a thin coat of cooking oil and rubbing in with paper towelling before each use.

**WARNING: Charcoal or similar combustible fuels must not be used with this appliance.**

**Note:** Do not place any objects such as saucepans or plates on the hotplate.

### Using your Kettle King

1. Insert the control probe fully into the socket of the hotplate.
2. Plug the cord into a 230/240V power outlet and turn the power on. An extension cord that has been checked and tested by your electricity supplier or a qualified technician may be used with your Kettle King.
3. Set the control probe dial to the desired heat setting.
4. Remove the lid from the Kettle King and allow to heat up. When the thermostat light on the control probe switches off, the desired cooking temperature has been reached and the Kettle King is ready to use. For oven style cooking, set the dial to setting 15, replace the lid and preheat for approximately 10 minutes.

**Note:** The thermostat light on the control probe indicates the Kettle King is heating. This light will remain ON until the set temperature has been reached and then will cycle ON and OFF throughout cooking. This will ensure that the Kettle King always maintains the selected temperature. The preheat time will depend on the heat setting selected.

# BBQ Oven Cooking in your Kettle King®

## BBQ Oven Cooking

BBQ Oven cooking allows you to roast meats and vegetables efficiently, while sealing in the flavoursome juices.

The result is oven style, tender meat, with wholesome crisp vegetables.

For a perfect result every time, read the BBQ Oven Basics section below.

## BBQ Oven Basics

- For optimum results, the Kettle King should always be preheated for 10 minutes with the lid on.
  - Avoid removing the lid continually during the cooking time. The heat loss will only lengthen the cooking time.
  - All meats should be fully thawed or at room temperature before cooking.
  - Baste the meat during the last ½ hour of cooking. Excess basting will cause the meat to burn or darken if left on throughout the entire cooking time.
  - Meats such as beef, pork, chicken and poultry require approximately 1½ - 2 hours to cook, depending on the weight and size.
- After initially browning meat on the grill plate, cook on a roasting rack. This prevents excess browning on one side and eliminates turning the meat over.

**Note:** Caution should be taken when using a metal rack on the grill plate. Ensure there are no sharp edges that could scratch the non-stick coating.

- Avoid overcooking meats. The longer the cooking time, the less tender the meat will be.
- Use a meat thermometer to take the guesswork out of the BBQ cooking. The guides on the thermometer will indicate the temperature of the food. The temperature guide on the thermometer will tell you when the meat is cooked to your desired choice. For an accurate reading, always insert the thermometer into the thickest part of the meat.
- Rest meat, covered, for about 10 minutes before carving. This allows the juices to settle.



# Tips to cooking a great steak

- Ensure that the Kettle King has been preheated on SuperSear for 10 minutes or until the light on the control probe has switched off.
  - Rub a small amount of oil onto both sides of the steak. Place steak onto the hot grill plate. The time taken to cook a steak will depend on the thickness of the steak. A thin steak will not take long at all.
  - Only turn steaks once. Turning several times or pressing down with tongs will only dry the steak out.
  - To cook a rare steak, cook for 2-3 minutes, depending on thickness, turn once and cook the other side for a further 2-3 minutes. The steak will be very soft to touch.
  - To cook a medium steak, cook for 4-6 minutes. The juices on the top of the steak will start to pool. Turn steak over and cook for a further 4-6 minutes. The steak will be tender to touch but not too soft.
  - To cook a well done steak, cook for 7-9 minutes, the juices will pool on the top of the steak and the colour of the steak will change up the sides of the steak the entire way. Turn steak over once and cook until the steak feel quite firm to touch.
  - Remove steaks from Kettle King and rest, covered, for a few minutes before serving.
- 

# Tips to cooking great fish fillets

- Ensure that the Kettle King has been preheated on SuperSear for 10 minutes or until the light on the control probe has switched off.
- Lightly coat the fillets in a little oil and season with salt and pepper, if desired.
- The time taken to cook a fish fillet will depend greatly on the thickness of the fillet.
- Most fish fillets are cooked until they are just cooked through. Although fish such as tuna or salmon can be cooked so that it is still medium to rare on the inside.
- Place fillets onto the hot grill. Do not attempt to move the fillets for at least a few minutes; this will only break up the fillet. Once the fish has formed a crust on the bottom and the colour of the fillets has started to change on the sides you can turn it over.
- Using a non-stick spatula, carefully turn the fish over. Only turn once. Cook the fish until it is just cooked through, the fish will still cook slightly once removed from the grill.
- A good way to tell if your fish is cooked through is to place a small, thin knife into the thickest part of the fish. If the knife feels warm to touch then the fish is cooked. If it is cool then cook for a little longer. The colour of the fillet will have turned from being transparent to an opaque colour.

# Care and Cleaning

Always turn the power off and remove the plug from the power outlet and the probe from the probe inlet, after use and before cleaning. Allow the BBQ oven to cool before cleaning.

## **Control probe**

If cleaning is necessary, wipe over with a damp cloth.

**Note:** Before inserting the control probe into the probe inlet, ensure the interior of the inlet is completely dry. To do this wipe interior of probe inlet with a dry cloth or shake out excess water vigorously.

**Important:** Do not immerse the control probe in water or any other liquid.

Do not knock or drop the probe as this can damage the probe. If damage is suspected, return the control probe to your nearest Sunbeam Service Centre for inspection. Refer to the separate warranty and service centre booklet.

## **Hotplate and drip tray**

The element in the hotplate is cast in, so it is safe to fully immerse in water. Wash the hotplate and drip tray in warm soapy water using a mild household detergent and a soft washing sponge.

A bottle brush may be used to clean the drainage holes in the ribbed hotplate.

The hotplate and drip tray are also dishwasher safe.

**Note:** Do not use abrasives or metal scourers as they will scratch the non-stick cooking surface. Dry the hot plate and drip tray thoroughly before storing.

## **Moulded base and lid**

The base and lid can be wiped over with a damp cloth or washed in warm soapy water using a mild household detergent and a soft washing sponge. Do not use abrasives or metal scourers as they may scratch these parts.

**Note:** Do not place the moulded base or lid in a dishwasher.

## **Stand**

The stand can be wiped over with a damp cloth.

**Note:** Do not place any part of the stand in a dishwasher.

## **Storage**

Always dry and assemble the Kettle King before storing. Ensure the drip tray and hotplate are correctly positioned.

For outdoor storage of your Kettle King, remove the control probe and store in a safe, dry place.

# Guide to Meat and Poultry Cooking Times and Temperatures

**Note:** All times stated in recipes and on the chart below are approximate. Cooking times will vary depending on the cut, size and weight of the meat.

All times are in hours and minutes unless otherwise specified.

## MEAT & POULTRY

TYPE	1.5KG	2KG	2.5KG
Beef (rare)	1hr 10min	1hr 30min	1hr 50min
Beef (medium)	1hr 20min	1hr 40min	2hrs
Beef (well done)	1hr 30min	1hr 50min	2hrs 10min
Lamb (medium)	1hr	1hr 20min	1hr 40min
Lamb (well done)	1hr 20min	1hr 30min	1hr 50min
Pork	1hr 30min	1hr 45min	2hrs
Ham	Approx. 20min/kg		
Turkey	Approx. 25 min/kg		

## CHICKEN

SIZE	WEIGHT/KG	COOKING TIME
Number 10	1.0	50min
Number 15	1.5	1hr 20min
Number 20	2.0	1hr 50min

# Guide to Meat and Poultry Cooking Times and Temperatures (continued)

## **Cooking chart for meat temperature**

The correct internal temperature of the meat will determine when it is cooked. Meat thermometers are available from supermarkets or department stores.

Use the guide displayed on the meat thermometer to determine when the meat is cooked. We have listed a guideline of temperatures below.

<b>TYPE</b>	<b>INTERNAL TEMPERATURE °C</b>	<b>INTERNAL TEMPERATURE °F</b>
Beef, Lamb (rare)	60°C	140°F
Beef, Lamb (medium)	65-70°C	150-160°F
Beef, Lamb (well done)	75°C	170°F
Pork	70-75°C	160-170°F
Ham	71°C	160°F
Turkey	75°C	170°F
Chicken	min 75°C	170°F
Hamburgers	75°C	170°F
Sausages	75°C	170°F

# Recipes

## Barbecue Chilli Lime Prawns

Serves 4

- 1 kg green prawns
  - 1 teaspoon palm sugar
  - 2 tablespoons peanut oil
  - ¼ cup lime juice
  - 2 red chillies, seeded and finely chopped
  - 1 tablespoon sweet chilli sauce
  - 2 tablespoons chopped fresh coriander
1. Pre-heat Kettle King on SuperSear.
  2. Shell and devein prawns leaving tails intact. Combine prawns and remaining ingredients in a bowl and refrigerate for 1 hour.
  3. Cook prawns for about 3 minutes on each side or until just cooked through.
  4. Serve with steamed jasmine rice.

## Baby Octopus

Serves 4

- 1 kg cleaned baby octopus
  - 2 cloves garlic, crushed
  - ¼ cup olive oil
  - ⅓ cup balsamic vinegar
  - ½ cup basil leaves, shredded
  - 2 tablespoons brown sugar
  - sea salt and freshly ground black pepper
1. Cut octopus in half if they are slightly large. Ensure that the beaks have been removed from the centre.
  2. Place octopus in a large bowl and cover with boiling water. Allow to stand for 2 minutes then drain well.
  3. Place octopus in a clean bowl with remaining ingredients; refrigerate overnight.
  4. Preheat Kettle King on SuperSear. Drain octopus then place on hot grill. Cook for about 5 minutes or until they have changed to a golden colour.

## Soya Sauce Chicken Wings

Serves 4

- 1½ kg chicken wings
  - ⅓ cup honey
  - ½ cup low salt soy sauce
  - 2 teaspoons Chinese cooking wine (optional)
  - 2 cloves garlic, crushed
  - 3 teaspoons grated fresh ginger
1. Cut wings at joints and discard tips.
  2. Combine remaining ingredients and chicken in a baking dish and marinate for at least 2 hours.
  3. Preheat Kettle King on SuperSear for 10 minutes. Remove wings from marinade; reserve liquid.
  4. Cook wings, on both sides, brushing with reserved marinade. Turn wings often. Cook for about 15 minutes or until browned and cooked through.
  5. Serve with rice.

**Tip:** Chinese cooking wine is available from Asian grocery stores. If you cannot find it simply replace with sherry or omit completely.

## Souvlaki Lamb Skewers

makes about 22 skewers

- 1 kg diced lamb (2 cm pieces)
  - 2 cloves garlic, crushed
  - 1 tablespoon chopped fresh oregano
  - 2 tablespoons lemon juice
  - ¼ cup olive oil
  - 1 yellow capsicum
  - 1 red capsicum
  - 1 large red onion
  - 22-24 small bamboo skewers
1. Combine lamb, garlic, oregano, lemon juice and olive oil, mix until combined.
  2. Place lamb in marinade. Refrigerate for several hours or overnight.

## Recipes (continued)

3. Cut capsicum and onions into pieces slightly smaller than the lamb. Skewer about 3 pieces each of meat and vegetables onto the bamboo skewers.
4. Preheat Kettle King on SuperSear for 10 minutes.
5. Cook skewers, turning until browned on all sides and cooked as desired.

### **Beef Skewers with Satay Dipping Sauce**

**Makes approx  
24 skewers**

- 1 kg rump steak
- 2 tablespoons soy sauce
- 1 teaspoon sesame oil
- 1 clove garlic, crushed
- 1 tablespoon grated fresh ginger
- 24 small wooden skewers

#### **Satay sauce**

- 1 cup crunchy light peanut butter
  - ½ cup water
  - 1 tablespoon soy sauce
  - 1 tablespoon lemon juice
  - 1 tablespoon sweet chilli sauce (no seed variety)
  - 1 clove garlic, crushed
  - 1 teaspoon palm sugar
1. Trim fat from steak and cut into 2 cm cubes. Combine steak with soy, sesame oil, garlic and ginger in a large bowl. Refrigerate for several hours or overnight.
  2. To make satay sauce, combine all ingredients in a small saucepan. Cook, over a low heat until the ingredients come together and thicken slightly.

**Tip:** If making sauce in advance and then reheating, you may need to add a little water to thin the mixture down.

3. Preheat Kettle King on SuperSear for 10 minutes. Thread meat onto skewers.
4. Cook skewers on grill plate until browned all over and just cooked through. Brush with a small amount of the peanut sauce before serving if desired or leave plain and serve sauce as a dipping sauce.

### **Spicy Middle Eastern Chicken Skewers**

**Serves 4**

- 750g thigh fillets
  - 1 tablespoon lemon juice
  - 1 tablespoon Moroccan seasoning spice mix
  - 1 clove garlic, crushed
  - 2 tablespoons olive oil
  - 12 small wooden skewers
1. Trim fat from thigh fillets and cut into bite size pieces.
  2. Combine remaining ingredients in a large bowl. Refrigerate for several hours or overnight.
  3. Pre heat Kettle King on SuperSear for 10 minutes.
  4. Thread chicken onto skewers. Cook skewers on grill plate, turning until chicken is browned and cooked through.

**Serving suggestion:** Serve chicken with a cucumber mint dipping sauce.

## Recipes (continued)

### Steamed Salmon Parcels

Serves 4

4 x 180g Atlantic salmon fillets  
1 stalk lemon grass, white only, chopped finely  
4 eschalots, sliced thinly  
1/3 cup coriander leaves  
1 large red chilli, seeded and sliced  
2 cloves garlic, crushed  
2 teaspoons grated fresh ginger  
1/2 cup coconut milk  
Sea salt  
Freshly ground black pepper  
1 tablespoon peanut oil  
4-6 baby bok choy, quartered  
Steamed jasmine rice, to serve

1. Preheat Kettle King on SuperSear with the lid on for 10 minutes.
2. Combine the lemon grass, eschalots, coriander, chilli, garlic, ginger, coconut milk, salt and pepper in a bowl and mix well.
3. Place each piece of salmon on four individual pieces of aluminium foil. Divide the coconut mixture evenly over the tops of the salmon. Fold each piece of foil up to make 4 sealed parcels.
4. Place parcels on Kettle King with the lid on for about 12-15 minutes or until cooked as desired. Remove from heat.
5. Heat oil on flat side of Kettle King and quickly cook bok choy until just wilted; season with salt and pepper.
6. Serve salmon with bok choy and steamed jasmine rice.

### Grilled Fish with Garlic and Lemon

Serves 4

4 fillets (800g) white fish fillets of choice  
1/4 cup olive oil  
2 cloves garlic, crushed  
1/4 cup lemon juice  
2 eschalots, minced  
1/4 cup shredded fresh basil leaves  
Sea salt  
Freshly ground black pepper  
Salad, to serve  
Lemon wedges, to serve

1. Place fish in a shallow dish. In a small bowl combine the oil, garlic, lemon juice, eschalots, basil, salt and pepper and mix well.
2. Pour marinade over fish and allow to sit at room temperature for 15 minutes or in the refrigerator for no more than 1 hour.
3. Heat Kettle King on SuperSear. Cook fish for 3-5 minutes on both sides until just cooked through.

**Note:** Cooking time will vary depending on the thickness of each fillet.

4. Serve fish with salad and lemon wedges

### Grilled Chicken Breast with Salsa Verde

Serves 6

1-2 tablespoons olive oil  
6 chicken breast fillets

#### Salsa Verde

1 cup flat leaf parsley  
1/2 cup dill  
1/2 cup mint leaves  
2 cloves garlic  
1 tablespoon small capers  
1 tablespoon grated lemon rind  
Sea salt and freshly ground black pepper  
3/4 cup extra virgin olive oil

## Recipes (continued)

1. Preheat Kettle King on SuperSear for 10 minutes.
2. Rub oil onto chicken breast fillets. Cook chicken, uncovered, until browned on both sides and cooked through. Remove from heat and serve with Salsa Verde
3. To make the Salsa Verde, blend or process all ingredients until a chunky sauce texture is achieved.

**Tip:** Salsa Verde also goes very well with pan fried fish fillets.

### Beef fajitas

**Serves 4**

600g skirt steak  
½ cup orange juice  
½ cup pineapple juice  
½ cup soy sauce  
1 red capsicum, sliced  
1 yellow capsicum, sliced  
1 red onion, sliced  
½ iceberg lettuce, shredded  
1 cup grated cheese  
½ cup sour cream  
½ cup salsa  
1 avocado, chopped  
8-12 flour tortillas, warmed

1. Trim any fat from beef. Place beef in a deep dish and pour over the combined juices and soy sauce. Marinate in refrigerator for at least 2 hours.
2. Pre-heat Kettle King on SuperSear. Remove beef from marinade; reserve liquid. Cook beef for about 5 minutes each side or until cooked as desired. Remove from grill and cover with foil while the vegetables cook.
3. Place vegetables on hotplate and cook for 2-3 minutes. Pour over some of the reserved liquid over the vegetables and

cook for a further 1 minute. Remove from heat.

4. Slice beef across the grain into thick slices.
5. To serve fajitas, place a little of each of the beef, vegetables and remaining ingredients in the flour tortilla and roll up.

### Smoky Pork Ribs

**Serves 4**

3-4 racks pork ribs (small, flat racks work best)

400ml smoky barbecue sauce

1. Preheat Kettle King on SuperSear with the lid on. Place ribs, cut in half if necessary, into a deep aluminium baking tray. Place 1 ½ cups water into the base then cover with aluminium foil and seal well.
2. Place tray onto grill plate; cook, covered, for 1 hour.
3. Remove ribs from tray and place into a deep dish. Pour over barbecue sauce and ensure that the ribs are well covered. Allow to cool long enough for the steam to subside then cover and refrigerate for 4 hours or overnight.
4. Preheat Kettle King on SuperSear with the lid on. Place ribs on grill plate and cook, covered, brushed and turning every 5 minutes, until the ribs are heated through and are well browned.

**Tip:** The double cooking of the ribs is extra work but the meat on the ribs will be very tender and well worth it!



## Recipes (continued)

### Grilled swordfish

**Serves 4**

- 4 pieces swordfish
- 2 cloves garlic, crushed
- 1/3 cup white vinegar
- 1/3 cup olive oil
- 1/4 cup shredded basil leaves

### Salad

- 250g baby rocket
- 100g semi dried tomatoes
- 150g feta cheese
- 100g katamata olives

1. Place swordfish in a large dish and pour over two thirds of the combined dressing ingredients. Cover and refrigerate for 1 hour.
2. Pre-heat Kettle King on SuperSear.
3. Cook swordfish for about 3 minutes each side or until cooked as desired.
4. Serve swordfish over salad and drizzle with remaining dressing.

### Marinated Lamb Roast

**Serves 4**

- 1 tablespoon olive oil
- 1 tablespoon chopped fresh rosemary
- 2 cloves garlic, crushed
- 1 teaspoon grated lemon rind
- 2 tablespoons lemon juice
- 2 teaspoons Dijon mustard
- 1/4 cup mango chutney
- 1kg boned and rolled shoulder of lamb

1. Combine oil, rosemary, garlic, rind, juice, mustard and chutney in a large zip lock bag or large dish. Place lamb in marinade; cover and refrigerate for 4 hours or overnight.
2. Preheat Kettle King on SuperSear with the lid on for 15 minutes.

3. Drain marinade from lamb; reserve marinade. Place lamb on a piece of aluminium foil that has been folded over 2-3 times. Cook lamb with the lid on, brushing the lamb occasionally with marinade, for about 1 hour or until just cooked through.
4. Stand lamb, covered, for 10 minutes before carving.

### Roast Pork with Nutty Rice

**Serves 4-6**

- 1.5kg loin of pork
- olive oil
- sea salt
- freshly ground black pepper
- kitchen string

### Filling

- 20g butter, melted
- 1 small mushroom, chopped
- 1 eschalot, finely chopped
- pinch nutmeg
- 1/2 cup cooked brown rice
- 1 tablespoon pine nuts
- 1 egg yolk
- 1 tablespoon chopped fresh parsley

1. Pre Kettle King on SuperSear with the lid on for 10 minutes.
2. Combine all filling ingredients in a bowl and mix well.
3. Slice pork through the centre of the meat and then along the bone. Score the rind. Fold meat back and fill centre with the stuffing and tie tightly with the string.
4. Brush meat lightly with oil and season with salt and pepper.

## Recipes (continued)

- Place pork onto grill plate, rind side up, cook, covered, for approximately 1 hour then turn pork over and cook for a further 30 minutes or until the rind has crackled and the pork is cooked as desired. Rest meat from 10 minutes before carving.

**Tip:** If the pork will not sit flat when crisping the rind use some aluminium foil on either side to keep in place.

### Roast Chicken with Stuffing

Serves 4

1.6kg whole fresh chicken  
sea salt  
freshly ground black pepper

#### Stuffing

1 onion, chopped finely  
2 teaspoons olive oil  
3 cups fresh bread crumbs  
40g softened butter  
1 teaspoon grated lemon rind  
2 tablespoons chopped fresh sage

- Wash and clean chicken thoroughly. Pat dry with paper toweling.
- To make stuffing, cook onion in oil until softened. Add to remaining stuffing ingredients and mix well.
- Place the stuffing inside the cavity of the chicken. Tuck the wings back and tie the base of the chicken with cooking string so that the legs are crossed and securely positioned.
- Preheat Kettle King on SuperSear for 10 minutes with the lid on. Brush chicken with a little oil and salt and pepper.
- Brown chicken all over then place chicken on a roasting rack and cook for 1½ hours or until cooked through.

**Tip:** If cooking roast vegetables, place in Kettle King halfway through cooking.

### Grilled Vegetable Salad with Haloumi Serves 4

1 red capsicum  
1 yellow capsicum  
2 zucchini  
2 baby eggplant  
200g Haloumi cheese, sliced  
200g baby rocket  
1 red onion, sliced

#### Red Wine Dressing

1 tablespoon red wine vinegar  
3 tablespoons extra virgin olive oil  
1 teaspoon caster sugar  
1 teaspoon Dijon mustard  
1 teaspoon sea salt

- Pre-heat Kettle King on SuperSear.
- Place whole capsicums onto the hotplate and cook, covered, turning every 5 minutes until the skin has blackened. Remove from hotplate and place into a plastic bag for 5-10 minutes. Once cool, remove skin from capsicum, discard seeds and membranes. Slice into thick slices.
- Meanwhile slice the zucchini and eggplants into thin strips and cook on the hotplate on both sides until tender. Remove from heat and allow to cool.
- Cook the haloumi on the hotplate for about 1 minute or until heated through.
- Combine the dressing ingredients in a jar and shake well; pour over the grilled vegetables, baby rocket and red onion, toss to combine.
- Divide salad onto 4 plates and top with haloumi cheese

## Recipes (continued)

### Grilled Mushrooms

**Serves 6  
as part of a meal**

6 large flat mushrooms  
¼ cup olive oil  
2 cloves garlic, chopped finely  
2 tablespoons chopped fresh basil  
sea salt and freshly ground pepper

1. Pre-heat Kettle King on SuperSear with the lid on for 10 minutes.
2. Peel mushrooms and remove stems.
3. Place mushrooms onto the grill plate with the underside face up. Sprinkle with olive oil, garlic, basil and salt and pepper.
4. Cook mushrooms, covered for about 10-15 minutes or until cooked as desired.

### Crunchy corn cobs in husks

**Serves 6**

6 corn cobs with husks on  
125g butter, softened  
2 bacon rashers, chopped finely  
2 tablespoons chopped fresh basil

1. Preheat Kettle King on SuperSear for 10 minutes.
2. Carefully pull back husks from corn cobs but do not remove completely; discard silks.
3. Combine the butter, bacon and basil together. Using a knife or your fingers spread the butter mixture generously over the kernels. Pull husks back over corn.
4. Cook corn on grill plate, turning occasionally for about 10 minutes.
5. To serve, pull back husks and enjoy!

### Potatoes with sour cream and sweet chilli sauce

**Serves 6  
as part of a meal**

1kg baby new potatoes  
1-2 tablespoons oil  
2 teaspoons sea salt  
freshly ground pepper  
⅓ cup sweet chilli sauce  
1 cup light sour cream

1. Cook potatoes in a pot of boiling water until just cooked; drain.
2. Preheat Kettle King on SuperSear for 10 minutes. Cut potatoes in half and toss in oil and salt. Place potatoes in a bowl and toss with the oil, salt and pepper.
3. Cook on grill plate, turning occasionally, for about 5-10 minutes or until crisp.
4. Serve with sweet chilli sauce and light sour cream.

## Recipes (continued)

### **Caramelised bananas with Hot Chocolate Sauce and Whipped Cream** **Serves 4**

4 large bananas

¼ cup firmly packed brown sugar

1 teaspoon cinnamon

Whipped cream, to serve

#### **Hot chocolate sauce**

100g dark chocolate, chopped

30g white marshmallows, chopped

150ml thickened cream

1. Preheat Kettle King on SuperSear for 10 minutes.
2. Cut bananas in half lengthways, leaving the skin on. Sprinkle the combined sugar and cinnamon over the cut bananas. Press gently into the banana.
3. Place bananas, cut side down and cook, uncovered, for about 6 minutes or until the sugar has caramelised and the banana has softened. Serve bananas with hot chocolate sauce and whipped cream.
4. To make the hot chocolate sauce, combine all ingredients in a small saucepan and cook, stirring, over a low heat, until melted.

### **Grilled Mango Cheeks with Sweet Lime Ricotta Cream** **Serves 4-8**

4 large mangos

2 tablespoons caster sugar

#### **Ricotta Cream**

300g fresh ricotta

2 tablespoons icing sugar, sifted

½ teaspoon vanilla essence

1 teaspoon grated lime zest

1 tablespoon lime juice

1. To make the ricotta cream, process the ricotta, icing sugar, vanilla, lime zest and juice in a food processor or mixer until smooth. Transfer mixture to a bowl, cover and refrigerate for 1 hour.
2. Preheat Kettle King on SuperSear for 10 minutes.
3. Cut 2 large cheeks (wide sides) from the mango. Cut into flesh of mango in a criss cross design, making sure that you don't cut through the skin.
4. Sprinkle the mango cheeks with the caster sugar and place on hot grill flesh side down, for about 5 minutes or until the sugar browns.
5. Remove mango cheeks from Kettle King. Carefully push mango from the skin side so that the flesh all separates. Serve mango cheeks topped with the lime ricotta cream. Serve immediately.

**Tip:** Remove flesh from remaining mango seeds. Roughly chop and freeze in ice cube trays and use in smoothies.

# Notes

# Notes

# 12 Month Replacement Guarantee

In the unlikely event that this appliance develops any malfunction within 12 months of purchase (3 months commercial use) due to faulty materials or manufacture, we will replace it for you free of charge.

Should you experience any difficulties with your appliance, please phone our customer service line for advice on 1300 881 861 in Australia, or 0800 786 232 in New Zealand. Alternatively, you can send a written claim to Sunbeam at the address listed below. On receipt of your claim, Sunbeam will seek to resolve your difficulties or, if the appliance is defective, advise you on how to obtain a replacement or refund.

Your Sunbeam 12 Month Replacement Guarantee naturally does not cover misuse or negligent handling and normal wear and tear.

Similarly your 12 Month Replacement Guarantee does not cover freight or any other costs incurred in making a claim. Please retain your receipt as proof of purchase.

The benefits given to you by this guarantee are in addition to your other rights and remedies under any laws which relate to the appliance.

Our goods come with guarantees that cannot be excluded under the Australian Consumer Law and under the New Zealand Consumer Guarantees Act.

In Australia you are entitled to a replacement or refund for a major failure and for compensation for any other reasonably foreseeable loss or damage. You are also entitled to have the goods repaired or replaced if the goods fail to be of acceptable quality and the failure does not amount to a major failure.

Should your appliance require repair or service after the guarantee period, contact your nearest Sunbeam service centre.

For a complete list of Sunbeam's authorised service centres visit our website or call:

## **Australia**

[www.sunbeam.com.au](http://www.sunbeam.com.au)

**1300 881 861**

Units 5 & 6, 13 Lord Street  
Botany NSW 2019 Australia

## **New Zealand**

[www.sunbeam.co.nz](http://www.sunbeam.co.nz)

**0800 786 232**

26 Vestey Drive, Mt Wellington  
Auckland, New Zealand

## Need help with your appliance?

Contact our customer service team or visit our website for information and tips on getting the most from your appliance.

### In Australia


Visit [www.sunbeam.com.au](http://www.sunbeam.com.au)

Or call 1300 881 861

### In New Zealand

Visit [www.sunbeam.co.nz](http://www.sunbeam.co.nz)

Or call 0800 786 232

 is a registered trademark.

'Kettle King' is a registered trademark of Sunbeam Corporation.

Made in China.

Due to minor changes in design or otherwise, the product may differ from the one shown in this leaflet.

© Copyright. Sunbeam Corporation Limited 2006.

ABN 45 000 006 771

Units 5 & 6, 13 Lord Street  
Botany NSW 2019 Australia

Unit 3, Building D  
26 Vestey Drive  
Mt Wellington Auckland  
New Zealand

Sunbeam Corporation is a division of GUD Holdings Ltd.



## Free Manuals Download Website

<http://myh66.com>

<http://usermanuals.us>

<http://www.somanuals.com>

<http://www.4manuals.cc>

<http://www.manual-lib.com>

<http://www.404manual.com>

<http://www.luxmanual.com>

<http://aubethermostatmanual.com>

Golf course search by state

<http://golfingnear.com>

Email search by domain

<http://emailbydomain.com>

Auto manuals search

<http://auto.somanuals.com>

TV manuals search

<http://tv.somanuals.com>