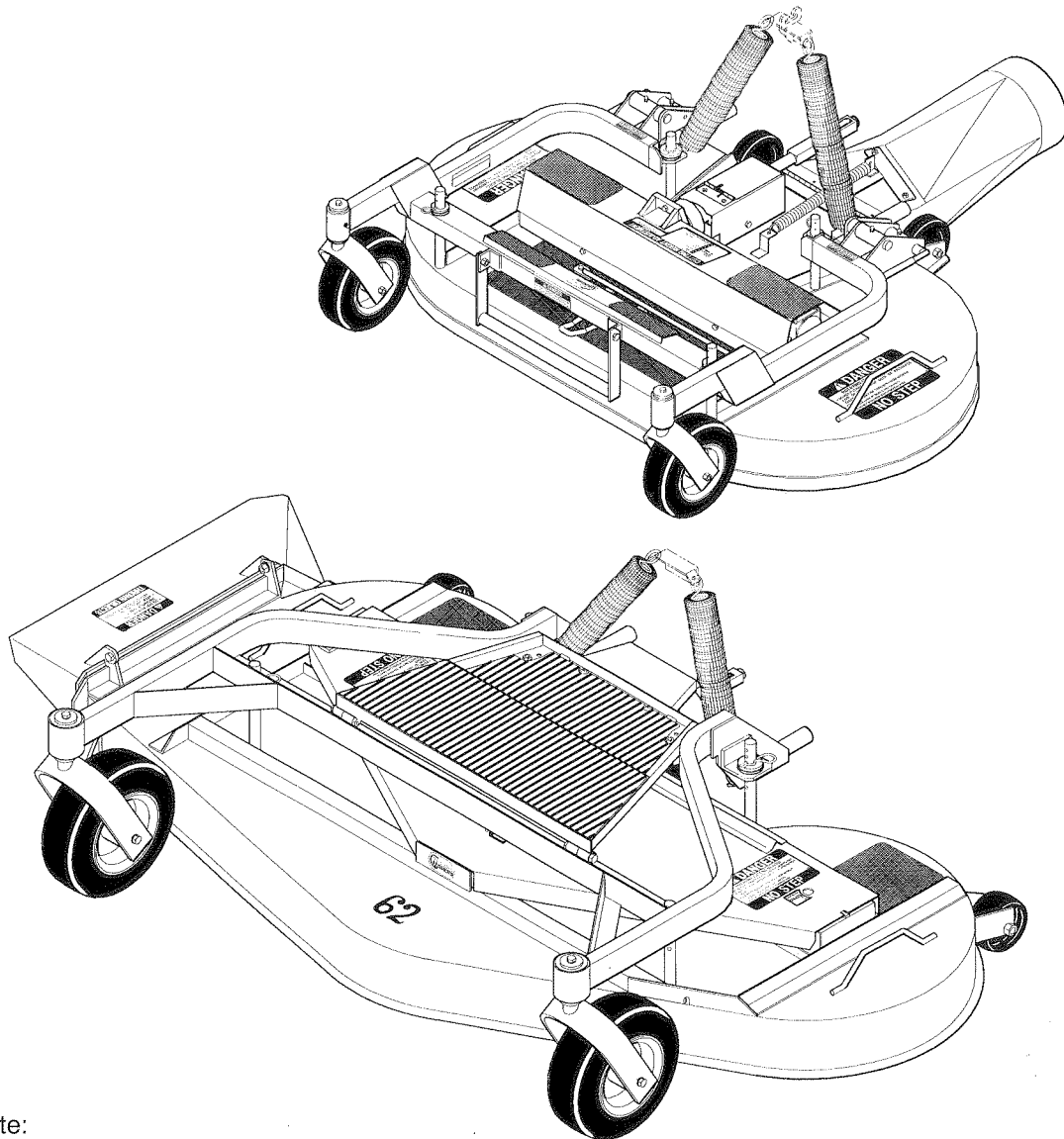


# Walker Rider Lawnmowers

## ILLUSTRATED PARTS MANUAL

Deck and Carrier Frame Assemblies  
(36", 42", 48", 52", 54" & 62")



CE

Effective Date:  
07-31-97

P/N 5000-5  
Price \$5.00

# KEY TO ABBREVIATIONS USED IN THIS MANUAL

<i>Abbreviation</i>	<i>What it Represents</i>
AT .....	All-Terrain
CCW .....	Counter-clockwise
Conn. ....	Connector
CW .....	Clockwise
DGHS.....	Deck, Grass Handling System (number refers to size in inches)
DML .....	Deck, Mulching (number refers to size in inches)
DSD .....	Deck, Side Discharge (number refers to size in inches)
ESNA (Fastener).....	Nylon Insert Locknut
FSC.....	Forward Speed Control
GA .....	Gauge
gal. ....	gallon
GHS .....	Grass Handling System
GR (Fastener) .....	Grade
ID .....	Inside Diameter
" or in. (Dimension) .....	inches
LH .....	Left Hand (orientated with operator on seat)
mm (Dimension).....	millimeters
MS (Fastener) .....	Machine Screw
NS (as part number) .....	Item is not sold by Walker Manufacturing
OD.....	Outside Diameter
oz. ....	ounce
PFHMS (Fastener).....	Phillips Flat Head Machine Screw
P/N .....	Part Number
PPHMS (Fastener).....	Phillips Pan Head Machine Screw
PPHSM (Fastener).....	Phillips Pan Head Sheet Metal (Screw)
PPHST (Fastener) .....	Phillips Pan Head Self-Tapping (Screw)
PTHMS (Fastener).....	Phillips Truss Head Machine Screw
PTO.....	Power Take-Off
QKS .....	Quick Slide
qt. ....	quart
RH.....	Right Hand (orientated with operator on seat)
SAE (Fastener) .....	Society of Automotive Engineers
SBH (Fastener) .....	Socket Button Head (Bolt)
SD .....	Side Discharge
SFH (Fastener) .....	Slotted Flat Head
SHC (Fastener) .....	Socket Head Cap
SHL (Fastener) .....	Shoulder (Bolt)
Spg.....	Spring
SQH (Fastener).....	Square Head
SS (Fastener).....	Stainless Steel
Term.....	Terminal

Use only genuine **Walker** replacement parts.

Effective Date 07-31-97

# ILLUSTRATED PARTS LIST

<i>Section of Mower Covered</i>	<i>Page</i>	<i>Section of Mower Covered</i>	<i>Page</i>
<b>Decals &amp; Paint</b>		<b>Non-Tilt Deck and Carrier Frame Assemblies (Pre-1996)</b>	
Deck Decals & Walker Touch-Up Paint .....	2	5700-6 42 Inch Carrier Assembly (Non-Tilting) .....	36
<b>Deck and Carrier Frame Assemblies</b>		DGHS42 Deck Assembly (Non-Tilting) .....	38
5700-5 36 Inch Carrier Assembly .....	4	DSD42 Deck Assembly (Non-Tilting) .....	40
DGHS36 Deck Assembly .....	6	DML42 Deck Assembly (Non-Tilting) .....	42
DSD36 Deck Assembly .....	8	7700 48 Inch Carrier Assembly (Non-Tilting) .....	44
8664 42 Inch Tilt-Up Carrier Assembly .....	10	DGHS48 Deck Assembly (Non-Tilting) .....	46
DGHS42 Tilt-Up Deck Assembly .....	12	<b>Deck Weldment Replacement Parts .....</b>	
DSD42 Tilt-Up Deck Assembly .....	14	<b>48</b>	
DML42 Tilt-Up Deck Assembly .....	16	<b>Maintenance</b>	
8665 48 Inch Tilt-Up Carrier Assembly .....	18	Lubrication Points .....	50
DGHS48 Tilt-Up Deck Assembly .....	20	<b>Operator's Notes .....</b>	
8757 52 Inch Carrier Assembly .....	22	<b>52</b>	
DSD52 Deck Assembly .....	24	<b>Warranty</b>	
8671 Mulching Kit (For DSD52) .....	26	Limited Warranty .....	53
6700-1 54 Inch Carrier Assembly .....	28		
DSD54 Deck Assembly .....	30		
8700 62 Inch Carrier Assembly .....	32		
DSD62 Deck Assembly .....	34		

## DECK DECALS & WALKER TOUCH-UP PAINT

ITEM NO.	PART NO.	DESCRIPTION	LOCATION	NO. REQ'D. GHS	NO. REQ'D SD
<b>DSD52 Decals</b>					
1	5848	Danger, Side Discharge Shield	Side Discharge Shield	0	1
2	5808-1	Danger, Rotating Blades	Deck Housing (one on each end)	0	2
3	5846	Grease Fitting	Deck Cover Plate	0	3
4	8734	Drive Belt Routing (52" Deck)	Underneath Deck Cover Plate	0	1
5	5809	Walker Mower Logo (3")	Deck Housing, Front	0	1
6	8732	52" Deck	Deck Housing, Front	0	1
7	8748	Cutting Height Adjustment	Deck Cover Plate	0	1
8	8746	Universal Joint Lube	Mount Bracket/PTO Guard	0	1
9	6875	PTO Alignment Arrow	Universal Joint Shaft Assembly	0	1

### DSD62 Decals

1	5848	Danger, Side Discharge Shield	Side Discharge Shield	0	1
3	5846	Grease Fitting	Deck Cover Plate	0	3
5	5809	Walker Mower Logo (3")	Deck Housing, Front	0	1
7	8748	Cutting Height Adjustment	Deck Cover Plate	0	1
8	8746	Universal Joint Lube	Mount Bracket/PTO Guard	0	1
9	6875	PTO Alignment Arrow	Universal Joint Shaft Assembly	0	1
10	5808	Danger, Rotating Blades	Deck Cover Plate (one on each end)	0	2
11	8749	Drive Belt Routing (62" Deck)	Underneath Deck Cover Plate	0	1
12	8750	62" Deck	Deck Housing, Front	0	1

### GHS, SD & Mulching Decks (36", 42", 48" & 54")

1	5848	Danger, Side Discharge Shield	Side Discharge Shield	0	1
5	5809	Walker Mower Logo (3")	36", 42", 48" & 54" Carrier Frame, Front	1	1
9	6875	PTO Alignment Arrow	Universal Joint Shaft Assembly	1	1
10	5808	Danger, Rotating Blades	Deck Housing (one on each end)	2	2
13	8653	Caution, Pivot Joint	42" & 48" Tilt-Up Carrier Frame	2*	2*
14	5807-1	Cutting Height Adjustment	Gearbox Cover	1	1
15	8647	Danger, Tilt-Up	42" & 48" Tilt-Up Carrier Frame	1*	1*
16	5865	Blade Mounting Torque	36", 42", 48" & 54" Carrier Frame	1	1

### Walker Touch-Up Paint\*\*

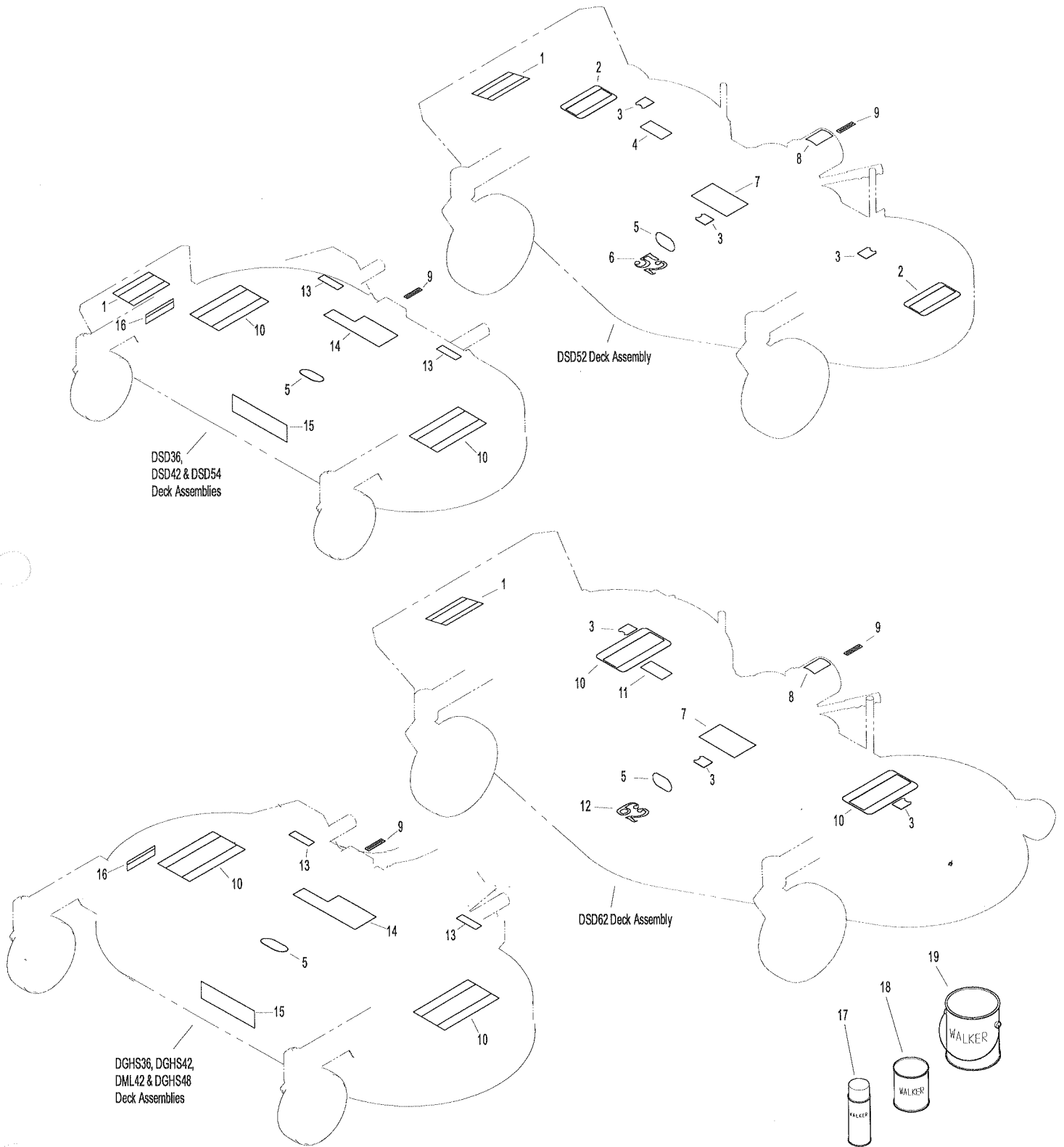
17	5866	Touch-Up Paint, Yellow (12 oz. Aerosol)			
18	5871	Touch-Up Paint, Yellow (1 qt.)			
19	5871-1	Touch-Up Paint, Yellow (1 gal.)			

\* Used only on Tilt-Up Assemblies.

\*\* Service Part Only, Walker Touch-Up Paint is not included with any replacement parts or kits and must be ordered separately.

**NOTE:** All parts requiring decals are shipped with decals applied.

# DECK DECALS & WALKER TOUCH-UP PAINT



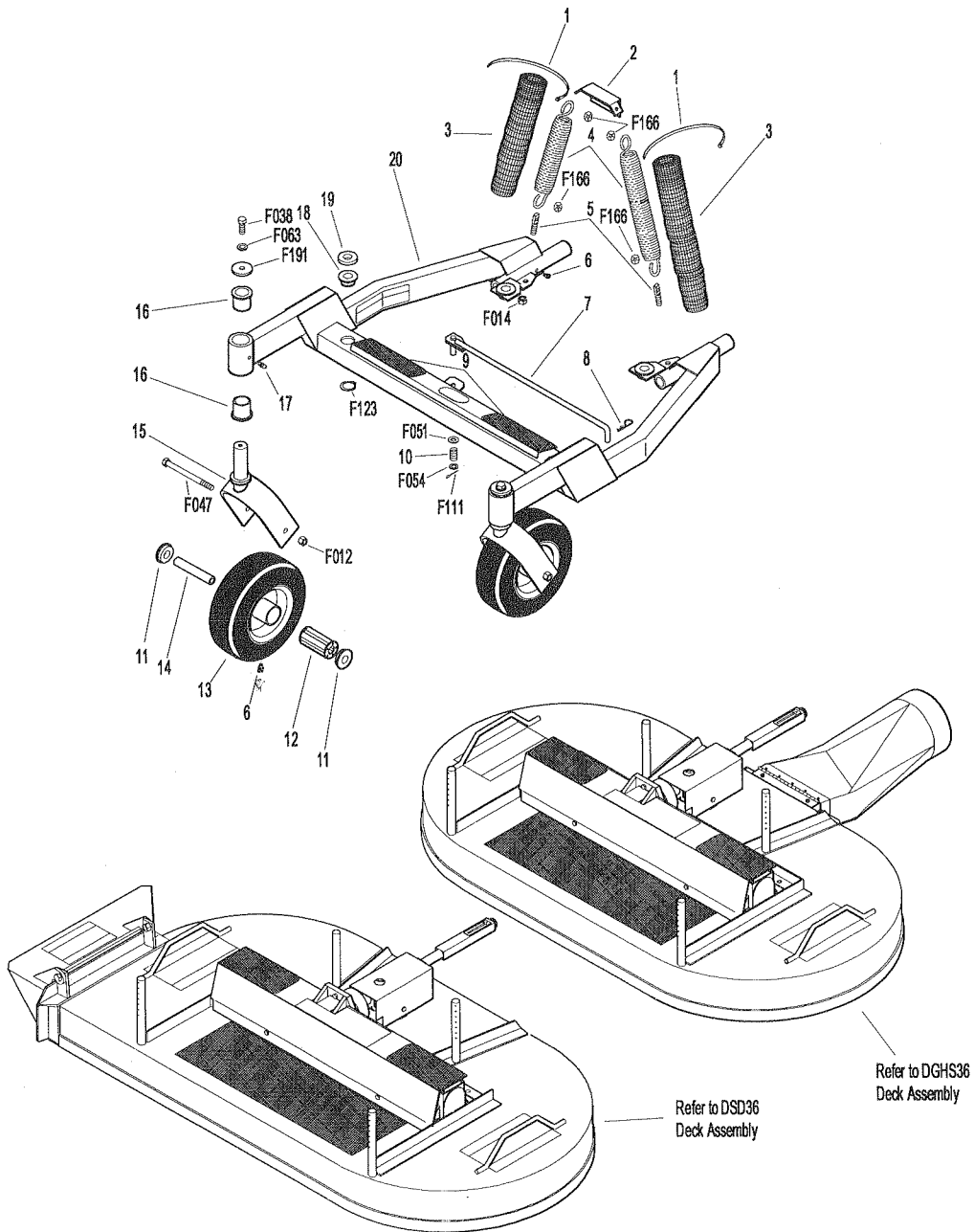
Effective Date 07-31-97

Use only genuine **Walker** replacement parts.

## 5700-5 36 INCH CARRIER FRAME ASSEMBLY

ITEM NO.	PART NO.	DESCRIPTION	NO. REQ'D	ITEM NO.	PART NO.	DESCRIPTION	NO. REQ'D
<b>5700-5 36 Inch Carrier Frame Assembly</b>				19	5727-1	Washer Shim (5/8 ID)	4
<b>(May Be Used On All Models)</b>				20	5708-3	36" Carrier Frame (Includes Item # 9)	1
1	5975-3	Cable Tie (50# x 7")	4				
2	5744-1	Spring Clip Bracket	1	<b>Fasteners</b>			
3	5743-1	Spring Cover	2				
4	5743-2	Extension Spring (1-1/2 x 7-3/4)	2	F012	3/8-16 Keps Nut		2
5	5743-3	Eyebolt (3/8-16 x 2)	2	F014	3/8-16 ESNA Nut		2
6	5830-3	Grease Fitting (45 Degree)	4	F038	3/8-16 x 1 Hex Bolt		2
7	5749-1	Deck Lift Rod (36" Deck)	1	F047	3/8-16 x 4-1/2 Hex Bolt		2
8	7666	Hitch Pin (#3)	1	F051	3/8 SAE Washer		1
9	5748	Safety Tread (2 x 6)	2	F054	AN960616 Washer		1
10	5682	Compression Spring (9/16 x 3/4)	1	F063	3/8 Internal Star Lock Washer		2
11	5714-7	Bearing Cap	4	F111	1/8 x 3/4 Cotter Pin		1
12	5714-5	Bearing, Caster Wheel	2	F123	1" External Snap Ring		4
13	5715-4	Pneumatic Caster Wheel (8 x 3.00-4) (Includes Items # 6, 11 & 12)	2	F166	Retainer Ring		4
	5715-10	Tire Only, Pneumatic (8 x 3.00-4)	*	F191	3/8 x 1-1/2 x 3/16 Washer		2
	5715-9	Tube Only, Pneumatic (2.80/2.50-4)	*	* Service Part Only			
	5715-3	Semi-Pneumatic Caster Wheel (8.25 x 2.75)	**	** May be ordered as a factory-installed option or as a kit for dealer installation. Contact your Walker dealer.			
14	5714-3	Axle Spacer Tube	2				
15	5770-2	Caster Wheel Fork	2	<b>NOTE:</b> Decals for this assembly are not shown here. Refer to Deck Decals & Walker Touch-Up Paint (Page 2) for Decal listing and placement information.			
16	5683	Pivot Bearing	4				
17	5830	Grease Fitting	2				
18	5740-2	Deck Pin Bushing (5/8 ID)	4				

# 5700-5 36 INCH CARRIER FRAME ASSEMBLY



## DGHS36 DECK ASSEMBLY

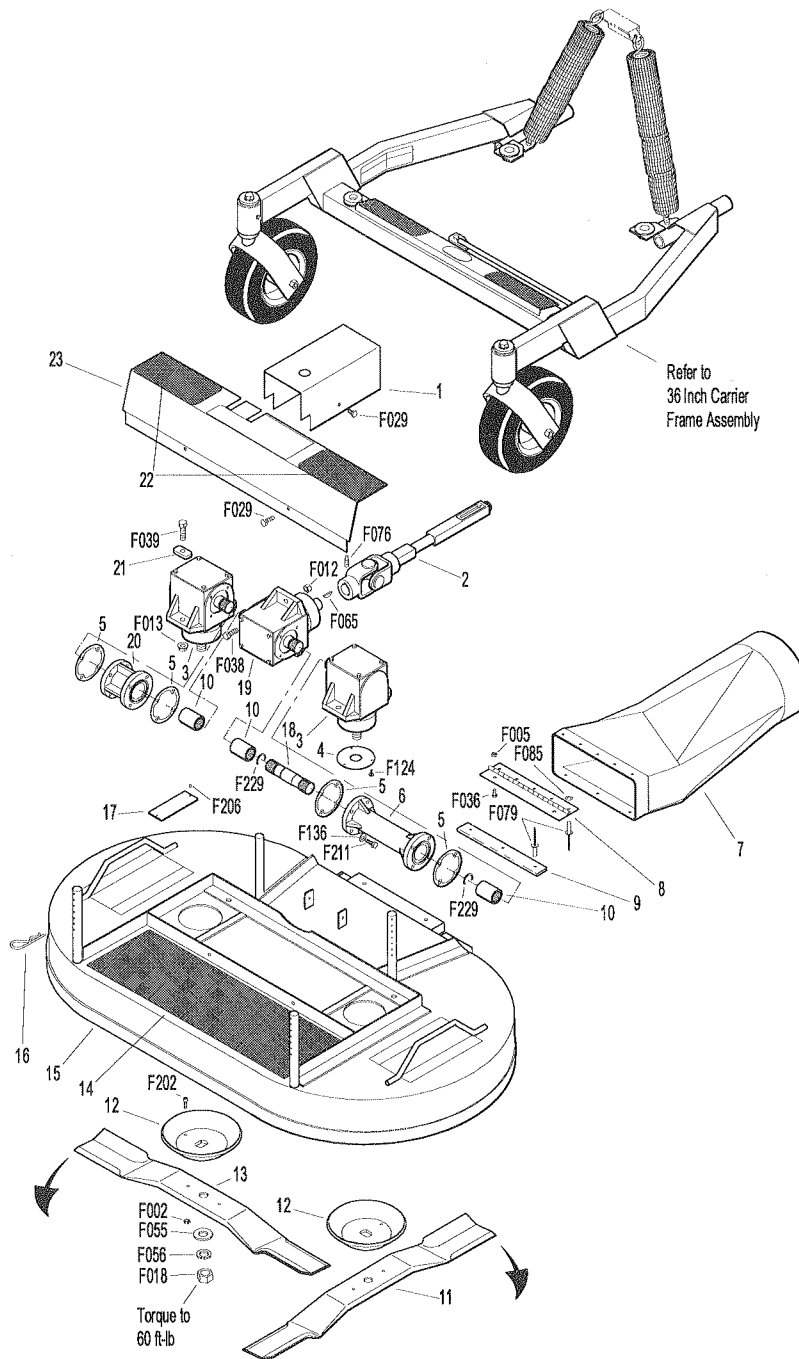
ITEM NO.	PART NO.	DESCRIPTION	NO. REQ'D	ITEM NO.	PART NO.	DESCRIPTION	NO. REQ'D
<b>DGHS36 Deck Assembly (May Be Used On All GHS Models)</b>				23	5746	Gearbox Cover (36" Deck) (Includes Item # 22)	1
1	5745	PTO Shaft Guard	1	<b>Fasteners</b>			
2	5285	Universal Joint Shaft Assembly (Includes Item # F076)	1	F002	10-24 Keps Nut		4
3	5052-1	Blade Drive Gearbox (LH Rotation)	2	F005	1/4-20 ESNA Nut		2
4	5706-4	Seal Protector Plate	3	F012	3/8-16 Keps Nut		1
5	P007	Gasket, Cap (Peerless #788030)	4	F013	3/8-16 Whiz Locknut		4
6	5061	Gearbox Connector Tube (6-1/2)	1	F018	5/8-18 Hex Nut		2
7	5797	Discharge Chute (6-1/2 Diameter)	1	F029	1/4-20 x 1/2 Hex Bolt		4
	5794	Discharge Chute Assembly (Includes Items # 7, 8, 9, F079 & F085)	*	F036	1/4-20 x 1/2 SBH Screw		2
				F038	3/8-16 x 1 Hex Bolt		1
8	5726	Chute Hinge (2 x 8)	1	F039	3/8-16 x 1-1/4 Hex Bolt		4
9	5755	Chute Lower Lip	1	F055	5/8 SAE Washer		2
10	6054	Spline Coupling	3	F056	5/8 Split Lock Washer		2
11	5705-0	Blade, 20" (RH Rotation)	1	F065	3/16 x 3/4 Woodruff Key (#9)		1
12	5706	Blade Hub & Trash Guard	2	F076	3/8-16 x 5/8 SQH Set Screw		1
13	5705-2	Blade, 20" (LH Rotation)	1	F079	A/A66D Aluminum Pop Rivet		*
	5705-6	Blade Set (36" GHS Deck) (Includes Items # 11, 12, 13, F002 & F202)	*	F085	3/16 Rivet Backup Washer		*
				F124	10-32 x 3/8 Taptite Machine Screw		9
14	5747-1	Safety Tread (6 x 19)	1	F136	AN960C416L Washer		16
15	5701-4	36" Deck Housing, GHS (Includes Item # 14)	1	F202	10-24 x 5/8 SHC Screw, GR5 SS		4
				F206	#2 x 3/16 Drive Pin		2
16	5775-2	Hitch Pin (#6)	4	F211	1/4-20 x 7/8 Hex Bolt		16
17	NS	Deck Serial Number Plate	1	F229	C-Clip (13/16)		2
18	6732-2	Connecting Shaft (4")	1				
19	5051	Tee Gearbox	1				
20	5060	Gearbox Connector Tube (2-1/2)	1				
21	5052-3	1.375 x .750 x .187 Washer, Oblong	4				
22	5747-0	Safety Tread (3 x 6)	2				

\* Service Part Only

**NOTE:** Decals for this assembly are not shown here. Refer to Deck Decals & Walker Touch-Up Paint (Page 2) for Decal listing and placement information.



# DGHS36 DECK ASSEMBLY



# DSD36 DECK ASSEMBLY

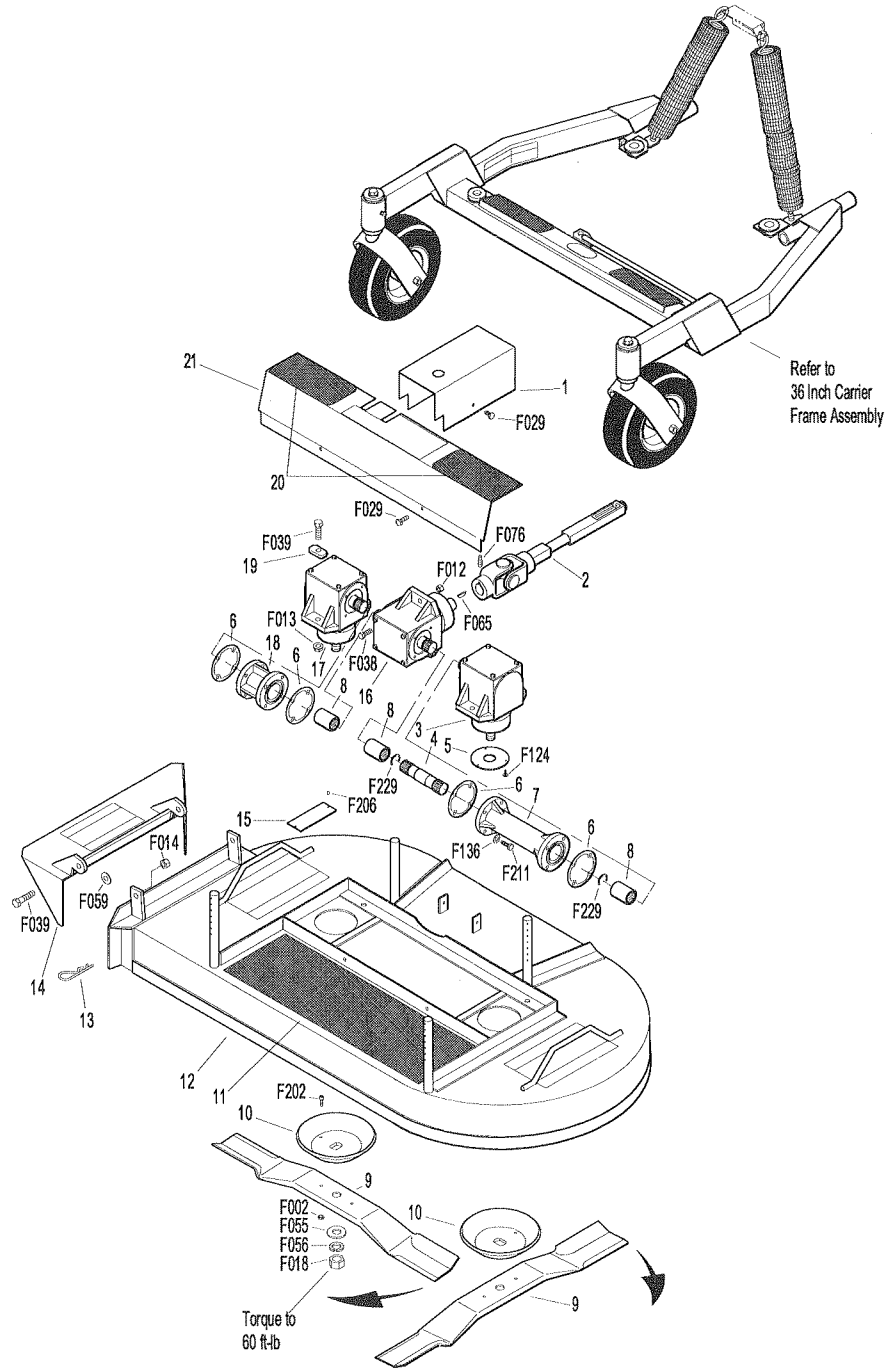
ITEM NO.	PART NO.	DESCRIPTION	NO. REQ'D	ITEM NO.	PART NO.	DESCRIPTION	NO. REQ'D
<b>DSD36 Deck Assembly (May Be Used On All Models)*</b>				<b>Fasteners</b>			
1	5745	PTO Shaft Guard	1	F002		10-24 Keps Nut	4
2	5285	Universal Joint Shaft Assembly (Includes Item # F076)	1	F012		3/8-16 Keps Nut	1
3	5052-1	Blade Drive Gearbox (LH Rotation)	1	F013		3/8-16 Whiz Locknut	4
4	6732-2	Connecting Shaft (4")	1	F014		3/8-16 ESNA Nut	2
5	5706-4	Seal Protector Plate	3	F018		5/8-18 Hex Nut	2
6	P007	Gasket, Cap (Peerless #788030)	4	F029		1/4-20 x 1/2 Hex Bolt	4
7	5061	Gearbox Connector Tube (6-1/2)	1	F038		3/8-16 x 1 Hex Bolt	1
8	6054	Spline Coupling	3	F039		3/8-16 x 1-1/4 Hex Bolt	6
9	5705-1	Blade, 20" (RH Rotation)	2	F055		5/8 SAE Washer	2
	5705-5	Blade Set (36" SD Deck) (Includes Items # 9, 10, F002 & F202)	**	F056		5/8 Split Lock Washer	2
10	5706	Blade Hub & Trash Guard	2	F059		3/8 Wave Spring Washer	2
11	5747-1	Safety Tread (6 x 19)	1	F065		3/16 x 3/4 Woodruff Key (#9)	1
12	5702-3	36" Deck Housing, SD (Includes Item # 11)	1	F076		3/8-16 x 5/8 SQH Set Screw	1
13	5775-2	Hitch Pin (#6)	4	F124		10-32 x 3/8 Taptite Machine Screw	9
14	5709-2	Discharge Shield, Hinged	1	F136		AN960C416L Washer	16
15	NS	Deck Serial Number Plate	1	F202		10-24 x 5/8 SHC Screw, GR5 SS	4
16	5051	Tee Gearbox	1	F206		#2 x 3/16 Drive Pin	2
17	5053-1	Blade Drive Gearbox (RH Rotation)	1	F211		1/4-20 x 7/8 Hex Bolt	16
18	5060	Gearbox Connector Tube (2-1/2)	1	F229		C-Clip (13/16)	2
19	5052-3	1.375 x .750 x .187 Washer, Oblong	4				
20	5747-0	Safety Tread (3 x 6)	2				
21	5746	Gearbox Cover (36" Deck) (Includes Item # 20)	1				

\* Use of this Deck on GHS Tractors requires installation of P/N 5595-2 (Blower Intake Cover). Contact your Walker dealer.

\*\* Service Part Only

**NOTE:** Decals for this assembly are not shown here. Refer to Deck Decals & Walker Touch-Up Paint (Page 2) for Decal listing and placement information.

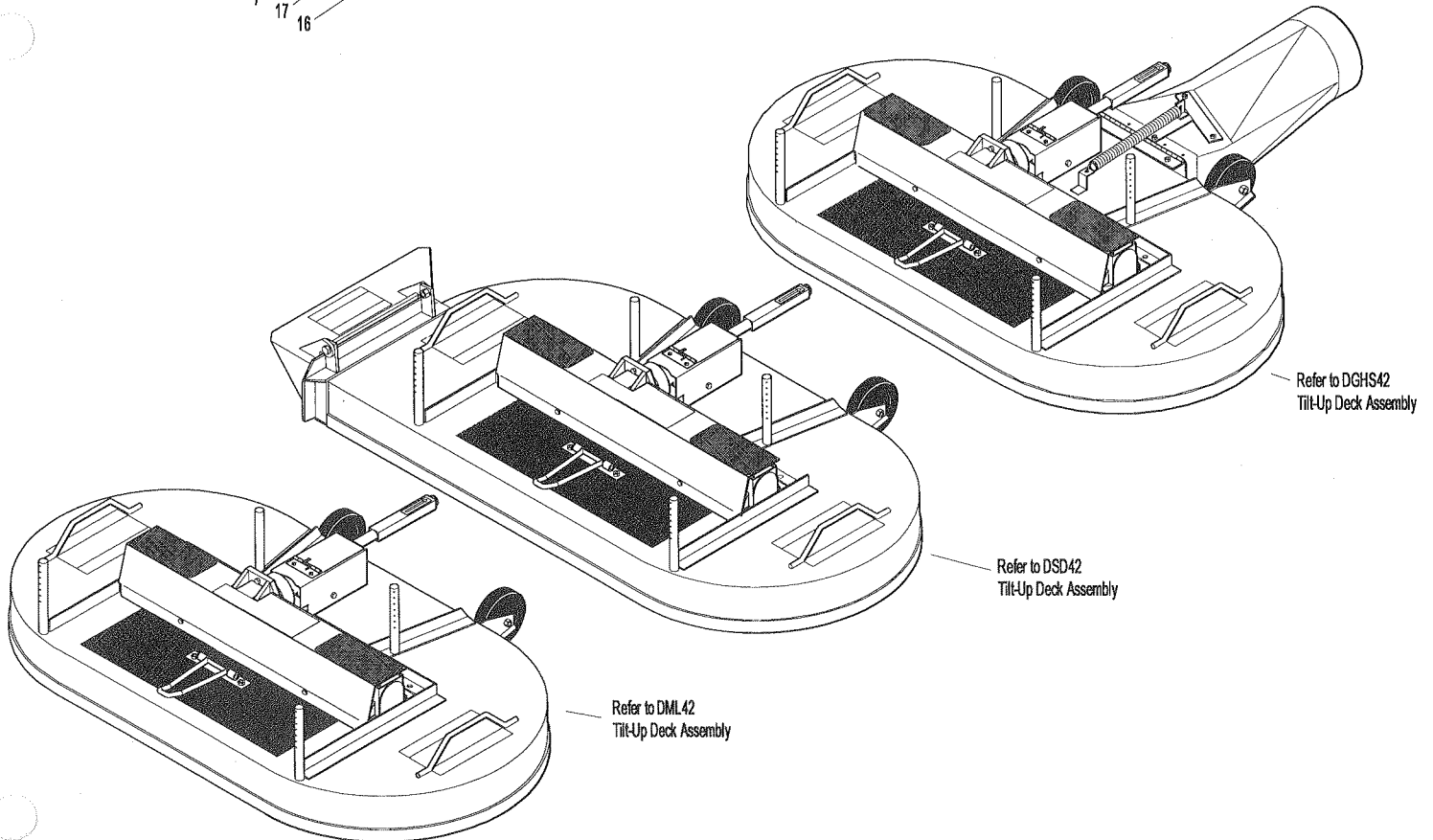
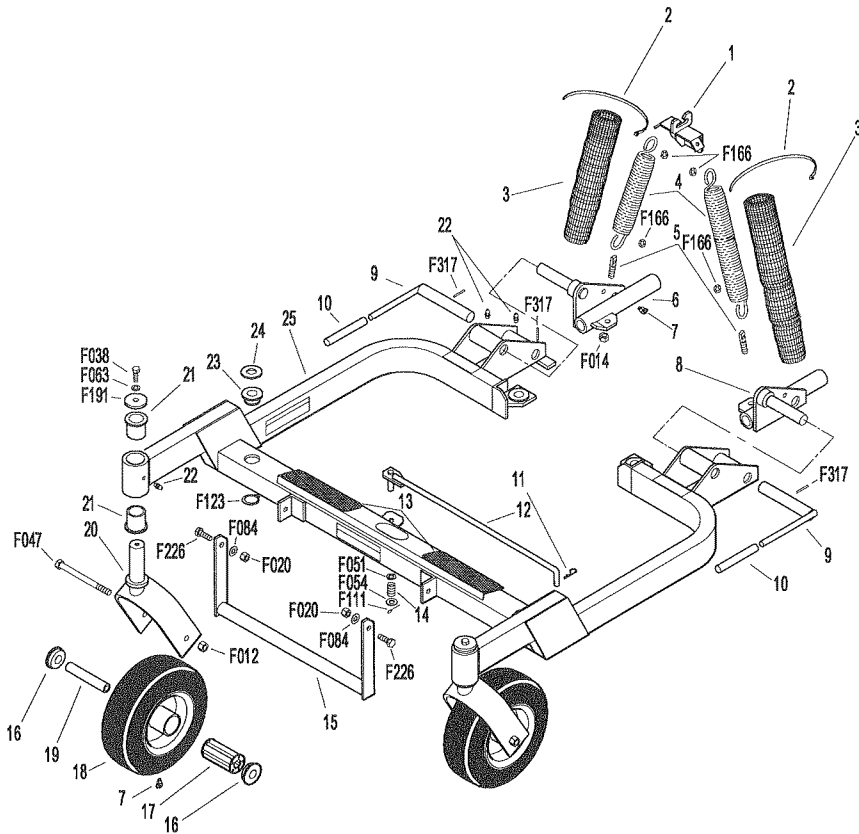
# DSD36 DECK ASSEMBLY



# 8664 42 INCH TILT-UP CARRIER FRAME ASSEMBLY

ITEM NO.	PART NO.	DESCRIPTION	NO. REQ'D	ITEM NO.	PART NO.	DESCRIPTION	NO. REQ'D				
<b>8664 42 Inch Tilt-Up Carrier Frame Assembly (May Be Used On All Models)</b>				23	5740-2	Deck Pin Bushing (5/8 ID)	4				
				24	5727-1	Washer Shim (5/8 ID)	4				
				25	8662	42" Tilt-Up Carrier Frame (Includes Item # 13)	1				
1	5744-2	Spring Clip/Hook Bracket	1	<b>Fasteners</b>							
2	5975-3	Cable Tie (50# x 7")	4								
3	5743-1	Spring Cover	2								
4	5743-2	Extension Spring (1-1/2 x 7-3/4)	2								
5	5743-3	Eyebolt (3/8-16 x 2)	2								
6	8667-2	Pivot Mount, RH	1					F012	3/8-16 Keps Nut	2	
7	5830-3	Grease Fitting (45 Degree)	4					F014	3/8-16 ESNA Nut	2	
8	8667-1	Pivot Mount, LH	1					F020	5/16-18 ESNA Nut	2	
9	8674	Lever, Deck Lock	2					F038	3/8-16 x 1 Hex Bolt	2	
10	7406-1	Handle Grip (Red)	2					F047	3/8-16 x 4-1/2 Hex Bolt	2	
11	7666	Hitch Pin (#3)	1					F051	3/8 SAE Washer	1	
12	5786-1	Deck Lift Rod (42" / 54" Deck)	1					F054	AN960616 Washer	1	
13	5748	Safety Tread (2 x 6)	2					F063	3/8 Internal Star Lock Washer	2	
14	5682	Compression Spring (9/16 x 3/4)	1					F084	5/16 Wave Spring Washer	2	
15	8669	Lift Handle	1					F111	1/8 x 3/4 Cotter Pin	1	
16	5714-7	Bearing Cap	4					F123	1" External Snap Ring	4	
17	5714-5	Bearing, Caster Wheel	2					F166	Retainer Ring	4	
18	5715-4	Pneumatic Caster Wheel (8 x 3.00-4) (Includes Items # 7, 16 & 17)	2					F191	3/8 x 1-1/2 x 3/16 Washer	2	
	5715-10	Tire Only, Pneumatic (8 x 3.00-4)	*					F226	5/16-18 x 7/8 Hex Bolt	2	
	5715-9	Tube Only, Pneumatic (2.80/2.50-4)	*					F317	3/16 x 1 Split Spring Pin	4	
	5715-3	Semi-Pneumatic Caster Wheel (8.25 x 2.75)	**					* Service Part Only			
19	5714-3	Axle Spacer Tube	2					** May be ordered as a factory-installed option or as a kit for dealer installation. Contact your Walker dealer.			
20	5770-2	Caster Wheel Fork	2	<b>NOTE:</b> Decals for this assembly are not shown here. Refer to Deck Decals & Walker Touch-Up Paint (Page 2) for Decal listing and placement information.							
21	5683	Pivot Bearing	4								
22	5830	Grease Fitting	6								

# 8664 42 INCH TILT-UP CARRIER FRAME ASSEMBLY



Effective Date 07-31-97

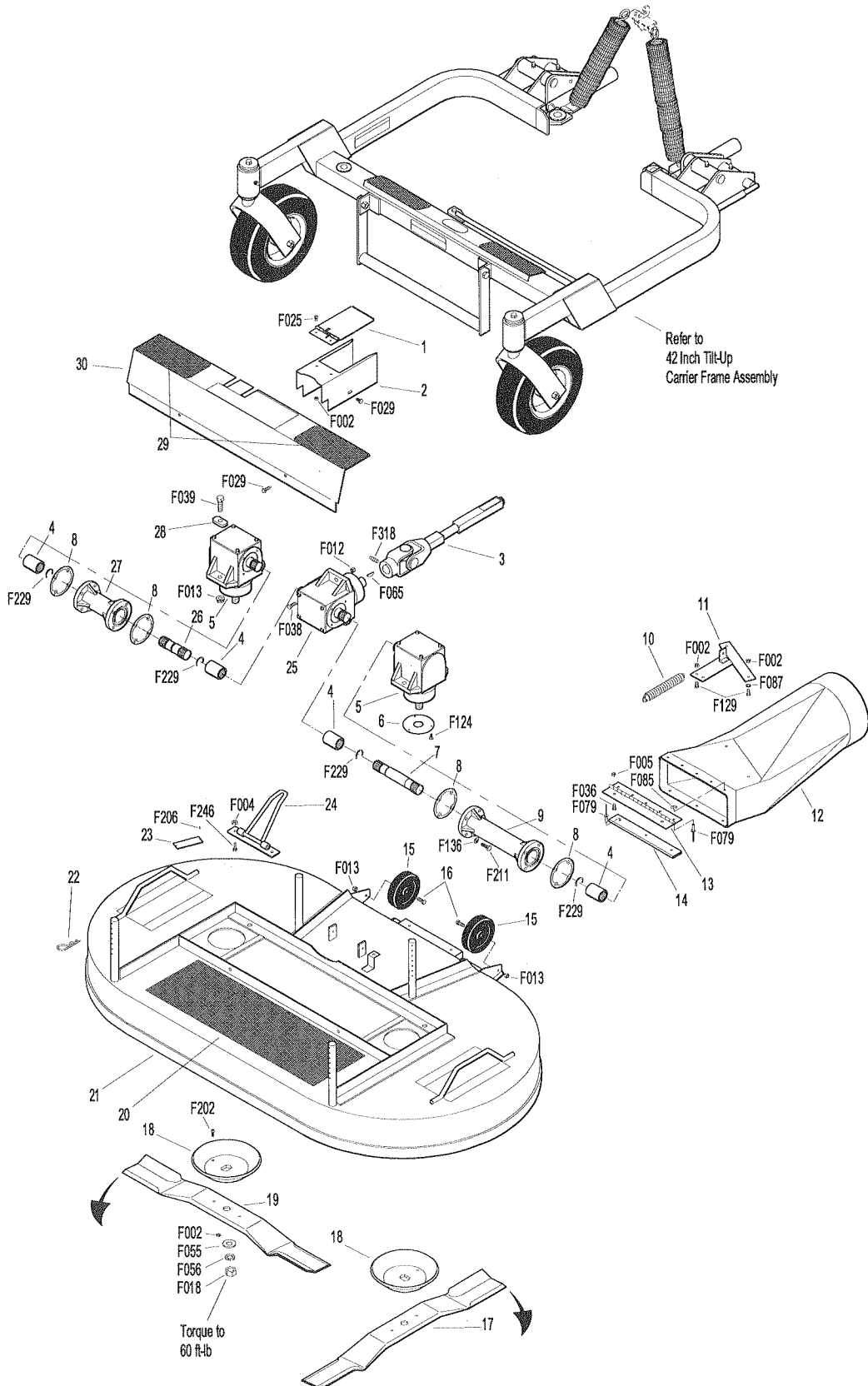
Use only genuine Walker replacement parts.

# DGHS42 TILT-UP DECK ASSEMBLY

ITEM NO.	PART NO.	DESCRIPTION	NO. REQ'D	ITEM NO.	PART NO.	DESCRIPTION	NO. REQ'D
<b>DGHS42 Tilt-Up Deck Assembly (May Be Used On All GHS Models)</b>				29	5747-0	Safety Tread (3 x 6)	2
				30	5785	Gearbox Cover (42" Deck) (Includes Item # 29)	1
1	8618-1	Cover, PTO Shaft Guard	1	<b>Fasteners</b>			
2	8619	PTO Shaft Guard	1				
	8618	PTO Shaft Guard Assembly (Includes Items # 1, 2, F002 & F025)	*				
3	5285-2	Universal Joint Shaft Assembly (Includes Item # F318)	1				
4	6054	Spline Coupling	4				
5	5052-1	Blade Drive Gearbox (LH rotation)	2				
6	5706-4	Seal Protector Plate	3				
7	6732-3	Connecting Shaft (6")	1				
8	P007	Gasket, Cap (Peerless #788030)	4				
9	5063	Gearbox Connector Tube (8-1/2)	1				
10	8677	Extension Spring (1 x 6)	1	F002	10-24 Keps Nut	9	
11	8678	Chute Spring Mount	1	F004	1/4-20 Keps Nut	2	
12	5797	Discharge Chute (6-1/2 Diameter)	1	F005	1/4-20 ESNA Nut	2	
	5794	Discharge Chute Assembly (Includes Items # 12, 13, 14, F079 & F085)	*	F012	3/8-16 Keps Nut	1	
13	5726	Chute Hinge (2 x 8)	1	F013	3/8-16 Whiz Locknut	6	
14	5755	Chute Lower Lip	1	F018	5/8-18 Hex Nut	2	
15	5162	Roller Wheel (5")	2	F025	10-24 x 3/8 PPHMS	2	
16	8490	Roller Wheel Axle Bolt	2	F029	1/4-20 x 1/2 Hex Bolt	4	
17	5705-3	Blade, 22" (RH Rotation)	1	F036	1/4-20 x 1/2 SBH Screw	2	
18	5706	Blade Hub & Trash Guard	2	F038	3/8-16 x 1 Hex Bolt	1	
19	5705-4	Blade, 22" (LH Rotation)	1	F039	3/8-16 x 1-1/4 Hex Bolt	4	
	5705-8	Blade Set (42" GHS Deck) (Includes Items # 17, 18, 19, F002 & F202)	*	F055	5/8 SAE Washer	2	
20	5747-1	Safety Tread (6 x 19)	1	F056	5/8 Split Lock Washer	2	
21	5704-4	42" Deck Housing, GHS (Includes Items # 15, 16, 20 & F013)	1	F065	3/16 x 3/4 Woodruff Key (#9)	1	
22	5775-2	Hitch Pin (#6)	4	F079	A/A66D Aluminum Pop Rivet	*	
23	NS	Deck Serial Number Plate	1	F085	3/16 Rivet Backup Washer	*	
24	8670	Deck Latch	1	F087	#10 x 7/8 Fender Washer	2	
25	5051	Tee Gearbox	1	F124	10-32 x 3/8 Taptite Machine Screw	9	
26	6732-1	Connecting Shaft (2")	1	F129	10-24 x 1/2 PTHMS	3	
27	5062	Gearbox Connector Tube (4-1/2)	1	F136	AN960C416L Washer	16	
28	5052-3	1.375 x .750 x .187 Washer, Oblong	4	F202	10-24 x 5/8 SHC Screw, GR5 SS	4	
				F206	#2 x 3/16 Drive Pin	2	
				F211	1/4-20 x 7/8 Hex Bolt	16	
				F229	C-Clip (13/16)	4	
				F246	1/4-20 x 1/2 PTHMS	2	
				F318	3/8-16 x 3/4 SQH Set Screw	1	
				* Service Part Only			

**NOTE:** Decals for this assembly are not shown here. Refer to Deck Decals & Walker Touch-Up Paint (Page 2) for Decal listing and placement information.

# DGHS42 TILT-UP DECK ASSEMBLY



# DSD42 TILT-UP DECK ASSEMBLY

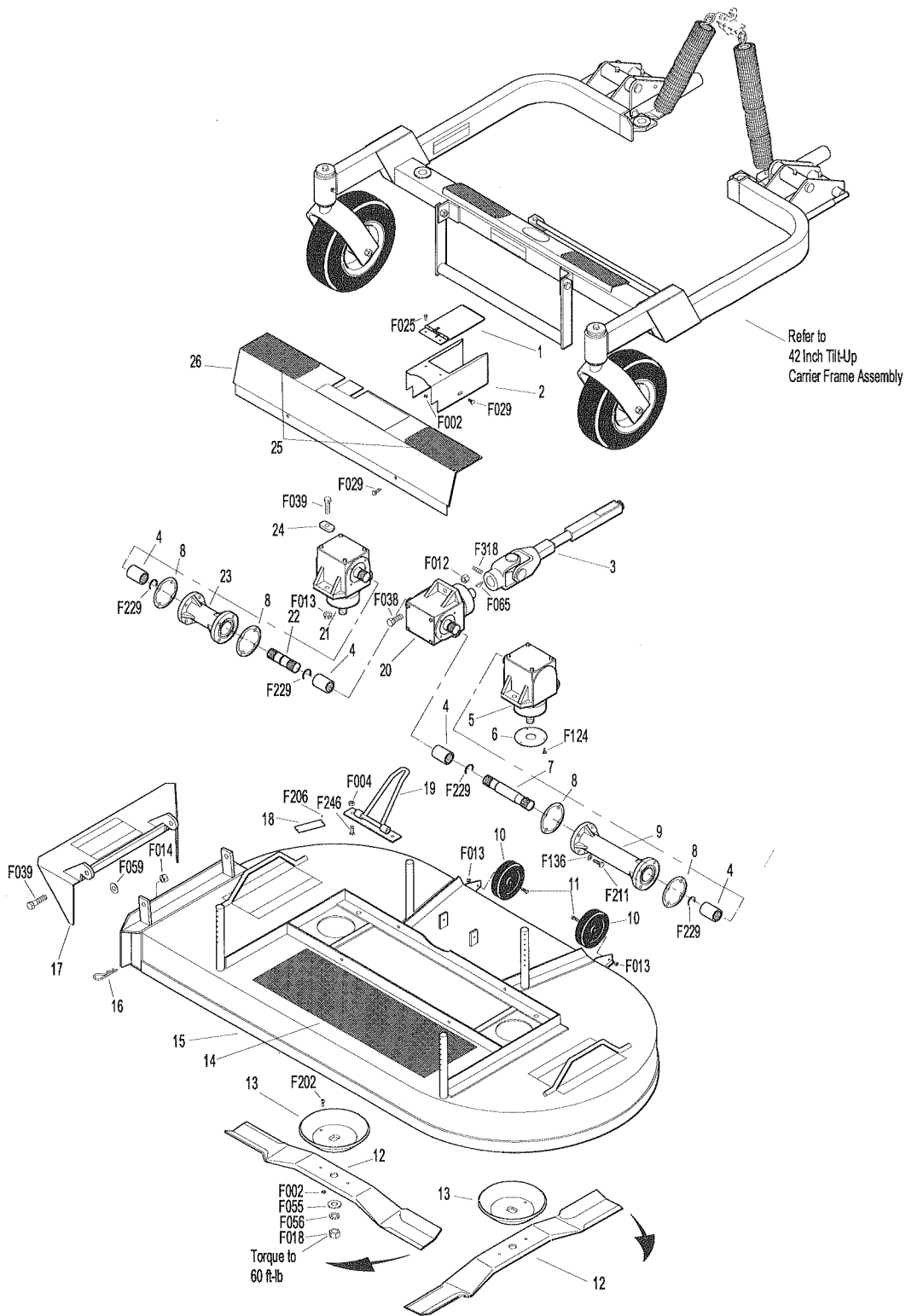
ITEM NO.	PART NO.	DESCRIPTION	NO. REQ'D	ITEM NO.	PART NO.	DESCRIPTION	NO. REQ'D
<b>DSD42 Tilt-Up Deck Assembly (May Be Used On All Models)*</b>				26	5785	Gearbox Cover (42" Deck) (Includes Item # 25)	1
1	8618-1	Cover, PTO Shaft Guard	1	<b>Fasteners</b>			
2	8619	PTO Shaft Guard	1				
	8618	PTO Shaft Guard Assembly (Includes Items # 1, 2, F002 & F025)	**	F002	10-24 Keps Nut		6
3	5285-2	Universal Joint Shaft Assembly (Includes Item # F318)	1	F004	1/4-20 Keps Nut		2
4	6054	Spline Coupling	4	F012	3/8-16 Keps Nut		1
5	5052-1	Blade Drive Gearbox (LH Rotation)	1	F013	3/8-16 Whiz Locknut		6
6	5706-4	Seal Protector Plate	3	F014	3/8-16 ESNA Nut		2
7	6732-3	Connecting Shaft (6")	1	F018	5/8-18 Hex Nut		2
8	P007	Gasket, Cap (Peerless #788030)	4	F025	10-24 x 3/8 PPHMS		2
9	5063	Gearbox Connector Tube (8-1/2)	1	F029	1/4-20 x 1/2 Hex Bolt		4
10	5162	Roller Wheel (5")	2	F038	3/8-16 x 1 Hex Bolt		1
11	8490	Roller Wheel Axle Bolt	2	F039	3/8-16 x 1-1/4 Hex Bolt		6
12	5705-3	Blade, 22" (RH Rotation)	2	F055	5/8 SAE Washer		2
	5705-7	Blade Set (42" SD Deck) (Includes Items # 12, 13, F002 & F202)	**	F056	5/8 Split Lock Washer		2
13	5706	Blade Hub & Trash Guard	2	F059	3/8 Wave Spring Washer		2
14	5747-1	Safety Tread (6 x 19)	1	F065	3/16 x 3/4 Woodruff Key (#9)		1
15	5703-3	42" Deck Housing, SD (Includes Items # 10, 11, 14 & F013)	1	F124	10-32 x 3/8 Taptite Machine Screw		9
16	5775-2	Hitch Pin (#6)	4	F136	AN960C416L Washer		16
17	5709-2	Discharge Shield, Hinged	1	F202	10-24 x 5/8 SHC Screw, GR5 SS		4
18	NS	Deck Serial Number Plate	1	F206	#2 x 3/16 Drive Pin		2
19	8670	Deck Latch	1	F211	1/4-20 x 7/8 Hex Bolt		16
20	5051	Tee Gearbox	1	F229	C-Clip (13/16)		4
21	5053-1	Blade Drive Gearbox (RH Rotation)	1	F246	1/4-20 x 1/2 PTHMS		2
22	6732-1	Connecting Shaft (2")	1	F318	3/8-16 x 3/4 SQH Set Screw		1
23	5062	Gearbox Connector Tube (4-1/2)	1				
24	5052-3	1.375 x .750 x .187 Washer, Oblong	4				
25	5747-0	Safety Tread (3 x 6)	2				

\* Use of this Deck on GHS Tractors requires installation of P/N 5595-2 (Blower Intake Cover). Contact your Walker dealer.  
 \*\* Service Part Only

**NOTE:** Decals for this assembly are not shown here. Refer to Deck Decals & Walker Touch-Up Paint (Page 2) for Decal listing and placement information.



# DSD42 TILT-UP DECK ASSEMBLY



# DML42 TILT-UP DECK ASSEMBLY

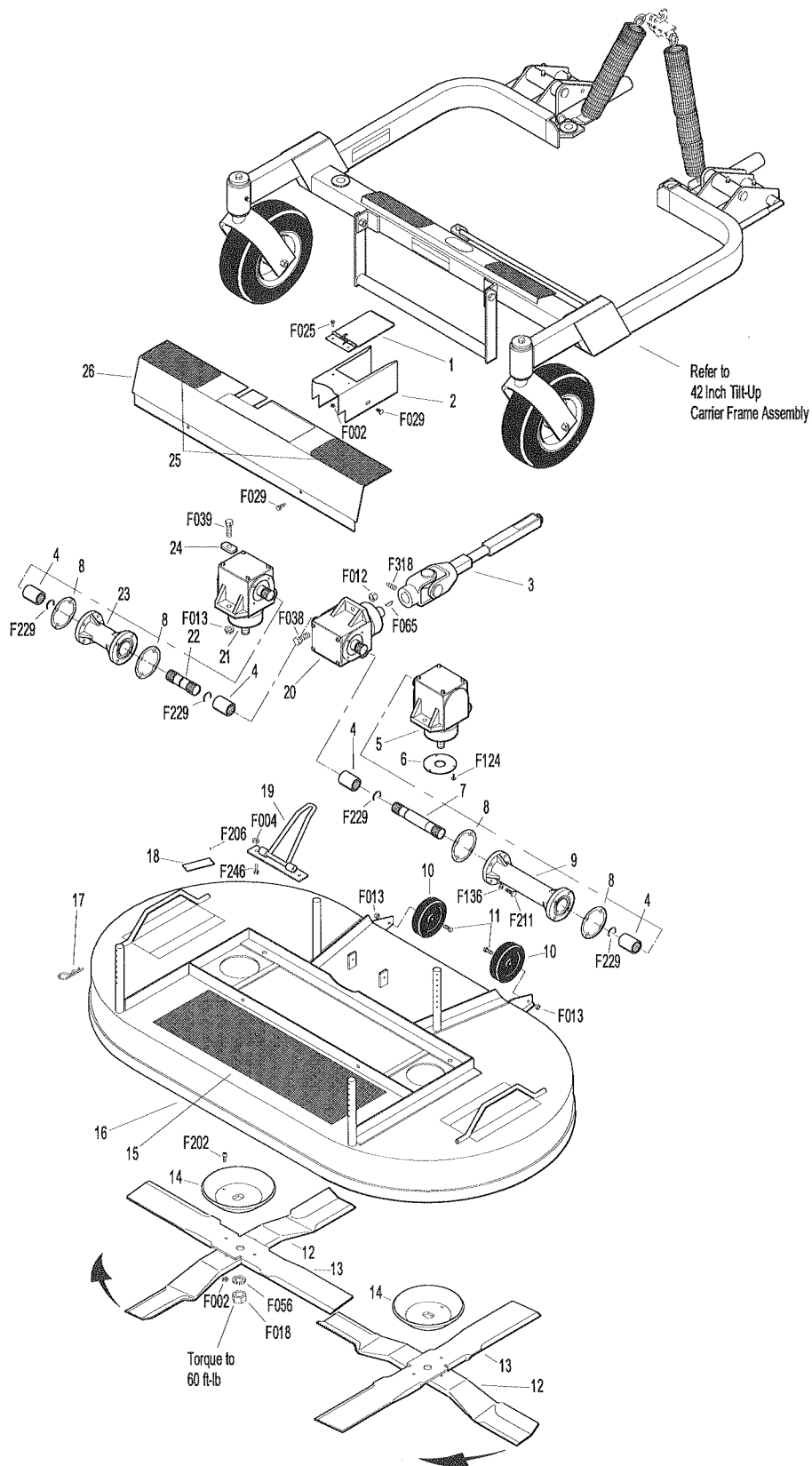
ITEM NO.	PART NO.	DESCRIPTION	NO. REQ'D	ITEM NO.	PART NO.	DESCRIPTION	NO. REQ'D
<b>DML42 Tilt-Up Deck Assembly</b>				25	5747-0	Safety Tread (3 x 6)	2
<b>(May Be Used On Models MC, MDD/MDG &amp; MT)*</b>				26	5785	Gearbox Cover (42" Deck) (Includes Item # 25)	1
1	8618-1	Cover, PTO Shaft Guard	1	<b>Fasteners</b>			
2	8619	PTO Shaft Guard	1				
	8618	PTO Shaft Guard Assembly (Includes Items # 1, 2, F002 & F025)	**				
3	5285-2	Universal Joint Shaft Assembly (Includes Item # F318)	1	F002		10-24 Keps Nut	6
4	6054	Spline Coupling	4	F004		1/4-20 Keps Nut	2
5	5052-1	Blade Drive Gearbox (LH Rotation)	1	F012		3/8-16 Keps Nut	1
6	5706-4	Seal Protector Plate	3	F013		3/8-16 Whiz Locknut	6
7	6732-3	Connecting Shaft (6")	1	F018		5/8-18 Hex Nut	2
8	P007	Gasket, Cap (Peerless #788030)	4	F025		10-24 x 3/8 PPHMS	2
9	5063	Gearbox Connector Tube (8-1/2)	1	F029		1/4-20 x 1/2 Hex Bolt	4
10	5162	Roller Wheel (5")	2	F038		3/8-16 x 1 Hex Bolt	1
11	8490	Roller Wheel Axle Bolt	2	F039		3/8-16 x 1-1/4 Hex Bolt	4
12	5705-10	Blade, 21" (Lower Mulching)	2	F056		5/8 Split Lock Washer	2
13	5705-11	Blade, 22" (Upper Mulching)	2	F065		3/16 x 3/4 Woodruff Key (#9)	1
	5705-12	Blade Set (42" Mulching Deck) (Includes Items # 12, 13, 14, F002 & F202)	**	F124		10-32 x 3/8 Taptite Machine Screw	9
14	5706	Blade Hub & Trash Guard	2	F136		AN960C416L Washer	16
15	5747-1	Safety Tread (6 x 19)	1	F202		10-24 x 5/8 SHC Screw, GR5 SS	4
16	5701-1	42" Deck Housing, Mulching (Includes Items # 10, 11, 15 & F013)	1	F206		#2 x 3/16 Drive Pin	2
17	5775-2	Hitch Pin (#6)	4	F211		1/4-20 x 7/8 Hex Bolt	16
18	NS	Deck Serial Number Plate	1	F229		C-Clip (13/16)	4
19	8670	Deck Latch	1	F246		1/4-20 x 1/2 PTHMS	2
20	5051	Tee Gearbox	1	F318		3/8-16 x 3/4 SQH Set Screw	1
21	5053-1	Blade Drive Gearbox (RH Rotation)	1				
22	6732-1	Connecting Shaft (2")	1				
23	5062	Gearbox Connector Tube (4-1/2)	1				
24	5052-3	1.375 x .750 x .187 Washer, Oblong	4				

\* Use of this Deck on GHS Tractors requires installation of P/N 5595-2 (Blower Intake Cover). Contact your Walker dealer.

\*\* Service Part Only

**NOTE:** Decals for this assembly are not shown here. Refer to Deck Decals & Walker Touch-Up Paint (Page 2) for Decal listing and placement information.

# DML42 TILT-UP DECK ASSEMBLY



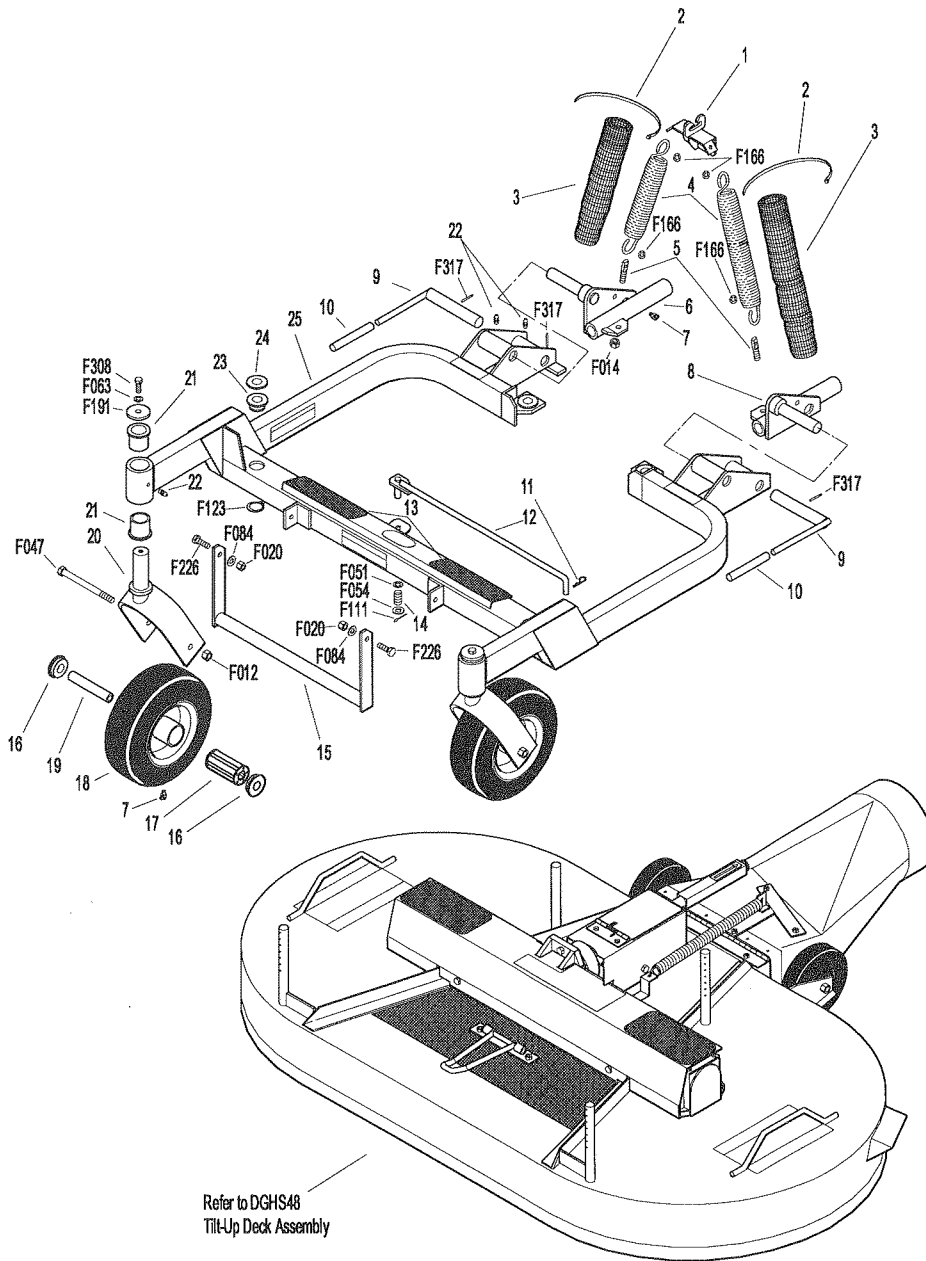
# 8665 48 INCH TILT-UP CARRIER FRAME ASSEMBLY

ITEM NO.	PART NO.	DESCRIPTION	NO. REQ'D	ITEM NO.	PART NO.	DESCRIPTION	NO. REQ'D
<b>8665 48 Inch Tilt-Up Carrier Frame Assembly</b>				23	5740-2	Deck Pin Bushing (5/8 ID)	4
<b>(May Be Used On GHS Models MDD/MDG &amp; MT)</b>				24	5727-1	Washer Shim (5/8 ID)	4
1	5744-2	Spring Clip/Hook Bracket	1	25	8663	48" Tilt-Up Carrier Frame (Includes Item # 13)	1
2	5975-3	Cable Tie (50# x 7")	4	<b>Fasteners</b>			
3	5743-1	Spring Cover	2	F012	3/8-16 Keps Nut	2	
4	5743-2	Extension Spring (1-1/2 x 7-3/4)	2	F014	3/8-16 ESNA Nut	2	
5	5743-3	Eyebolt, (3/8-16 x 2)	2	F020	5/16-18 ESNA Nut	2	
6	8667-2	Pivot Mount, RH	1	F038	3/8-16 x 1 Hex Bolt	2	
7	5830-3	Grease Fitting (45 Degree)	4	F047	3/8-16 x 4-1/2 Hex Bolt	2	
8	8667-1	Pivot Mount, LH	1	F051	3/8 SAE Washer	1	
9	8674	Lever, Deck Lock	2	F054	AN960616 Washer	1	
10	7406-1	Handle Grip (Red)	2	F063	3/8 Internal Star Lock Washer	2	
11	7666	Hitch Pin (#3)	1	F084	5/16 Wave Spring Washer	2	
12	7786	Deck Lift Rod (48" Deck)	1	F111	1/8 x 3/4 Cotter Pin	1	
13	5748	Safety Tread (2 x 6)	2	F123	1" External Snap Ring	4	
14	5682	Compression Spring (9/16 x 3/4)	1	F166	Retainer Ring	4	
15	8669	Lift Handle	1	F191	3/8 x 1-1/2 x 3/16 Washer	2	
16	5714-7	Bearing Cap	4	F226	5/16-18 x 7/8 Hex Bolt	2	
17	5714-5	Bearing, Caster Wheel	2	F317	3/16 x 1 Split Spring Pin	4	
18	5715-4	Pneumatic Caster Wheel (8 x 3.00-4) (Includes Items # 7, 16 & 17)	2	* Service Part Only ** May be ordered as a factory-installed option or as a kit for dealer installation. Contact your Walker dealer.			
	5715-10	Tire Only, Pneumatic (8 x 3.00-4)	*				
	5715-9	Tube Only, Pneumatic (2.80/2.50-4)	*				
	5715-3	Semi-Pneumatic Caster Wheel (8.25 x 2.75)	**	<b>NOTE:</b> Decals for this assembly are not shown here. Refer to Deck Decals & Walker Touch-Up Paint (Page 2) for Decal listing and placement information.			
19	5714-3	Axle Spacer Tube	2				
20	5770-2	Caster Wheel Fork	2				
21	5683	Pivot Bearing	4				
22	5830	Grease Fitting	6				

Use only genuine **Walker** replacement parts.

Effective Date 07-31-97

# 8665 48 INCH TILT-UP CARRIER FRAME ASSEMBLY



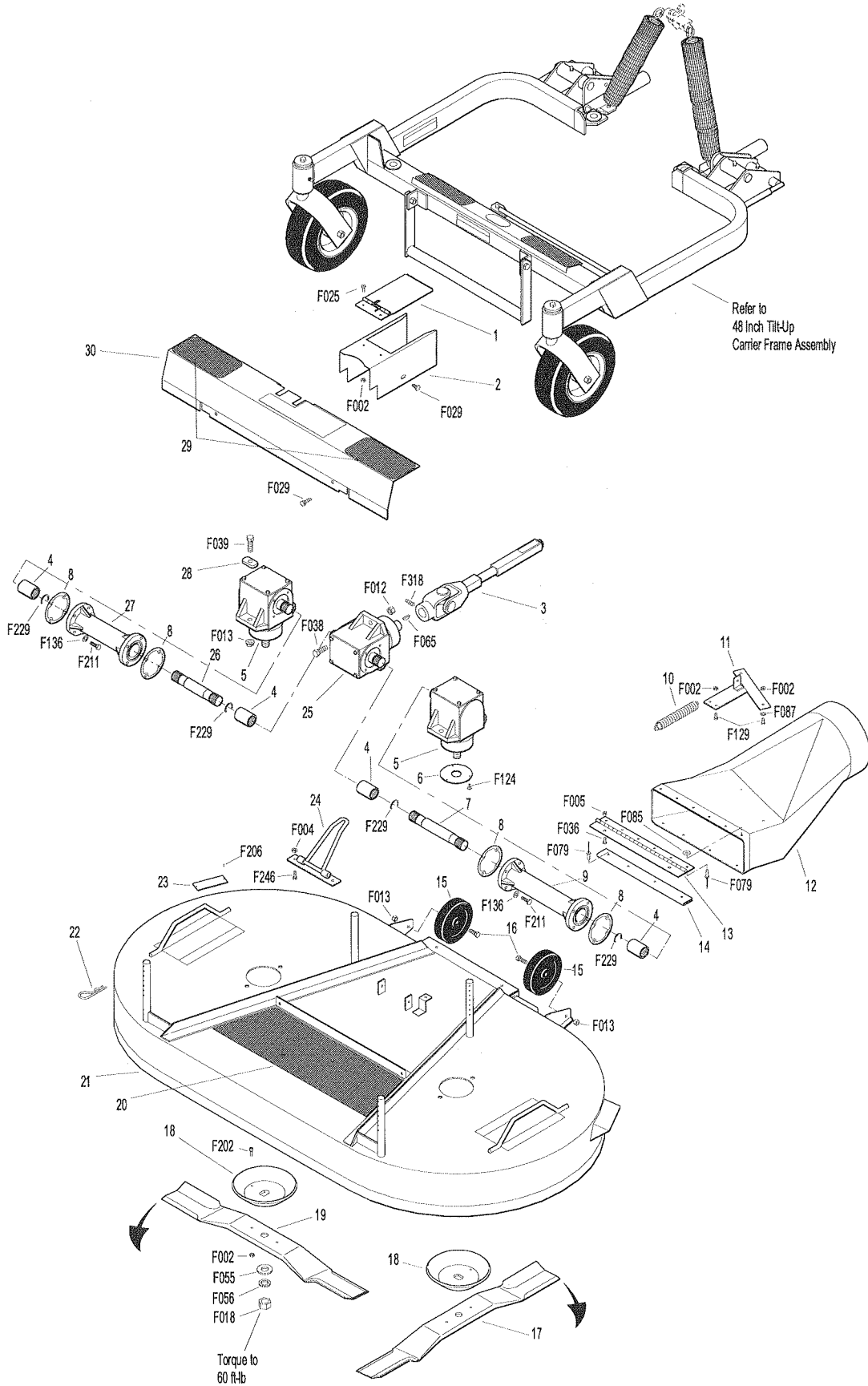
# DGHS48 TILT-UP DECK ASSEMBLY

ITEM NO.	PART NO.	DESCRIPTION	NO. REQ'D	ITEM NO.	PART NO.	DESCRIPTION	NO. REQ'D
<b>DGHS48 Tilt-Up Deck Assembly</b>				29	5747-0	Safety Tread (3 x 6)	2
<b>(May Be Used On GHS Models MDD/MDG &amp; MT)</b>				30	7785	Gearbox Cover (48" Deck) (Includes Item # 29)	1
1	8618-1	Cover, PTO Shaft Guard	1				
2	8619	PTO Shaft Guard	1	<b>Fasteners</b>			
	8618	PTO Shaft Guard Assembly (Includes Items # 1, 2, F002 & F025)	*	F002	10-24 Keps Nut		9
3	7285-2	Universal Joint Shaft Assembly (Includes Item # F318)	1	F004	1/4-20 Keps Nut		2
4	6054	Spline Coupling	4	F005	1/4-20 ESNA Nut		2
5	5052-1	Blade Drive Gearbox (LH Rotation)	2	F012	3/8-16 Keps Nut		1
6	5706-4	Seal Protector Plate	3	F013	3/8-16 Whiz Locknut		6
7	6732-6	Connecting Shaft (7")	1	F018	5/8-18 Hex Nut		2
8	P007	Gasket, Cap (Peerless #788030)	4	F025	10-24 x 3/8 PPHMS		2
9	5066	Gearbox Connector Tube (9-1/2)	1	F029	1/4-20 x 1/2 Hex Bolt		4
10	8677	Extension Spring (1 x 6)	1	F036	1/4-20 x 1/2 SBH Screw		2
11	8678	Chute Spring Mount	1	F038	3/8-16 x 1 Hex Bolt		1
12	7798	Discharge Chute (3-1/2 x 11-1/2)	1	F039	3/8-16 x 1-1/4 Hex Bolt		4
	7794	Discharge Chute Assembly (Includes Items # 12, 13, 14, F079 & F085)	*	F055	5/8 SAE Washer		2
13	7726	Chute Hinge (2 x 11)	1	F056	5/8 Split Lock Washer		2
14	7755	Chute Lower Lip	1	F065	3/16 x 3/4 Woodruff Key (#9)		1
15	5162	Roller Wheel (5")	2	F079	A/A66D Aluminum Pop Rivet		*
16	8490	Roller Wheel Axle Bolt	2	F085	3/16 Rivet Backup Washer		*
17	7705-1	Blade, 25" (RH Rotation)	1	F087	#10 x 7/8 Fender Washer		2
18	5706	Blade Hub & Trash Guard	2	F124	10-32 x 3/8 Taptite Machine Screw		9
19	7705-2	Blade, 25" (LH Rotation)	1	F129	10-24 x 1/2 PTHMS		3
	7705-3	Blade Set (48" Deck) (Includes Items # 17, 18, 19, F002 & F202)	*	F136	AN960C416L Washer		16
20	5747-6	Safety Tread (6 x 18)	1	F202	10-24 x 5/8 SHC Screw, GR5 SS		4
21	7701	48" Deck Housing, GHS (Includes Items # 15, 16, 20 & F013)	1	F206	#2 x 3/16 Drive Pin		2
22	5775-2	Hitch Pin (#6)	4	F211	1/4-20 x 7/8 Hex Bolt		16
23	NS	Deck Serial Number Plate	1	F229	C-Clip (13/16)		4
24	8670	Deck Latch	1	F246	1/4-20 x 1/2 PTHMS		2
25	7751	Tee Gearbox (1.2:1 Ratio)	1	F318	3/8-16 x 3/4 SQH Set Screw		1
26	6732-2	Connecting Shaft (4")	1				
27	5061	Gearbox Connector Tube (6-1/2)	1				
28	5052-3	1.375 x .750 x .187 Washer, Oblong	4				

\* Service Part Only

**NOTE:** Decals for this assembly are not shown here. Refer to Deck Decals & Walker Touch-Up Paint (Page 2) for Decal listing and placement information.

# DGHS48 TILT-UP DECK ASSEMBLY



Effective Date 07-31-97

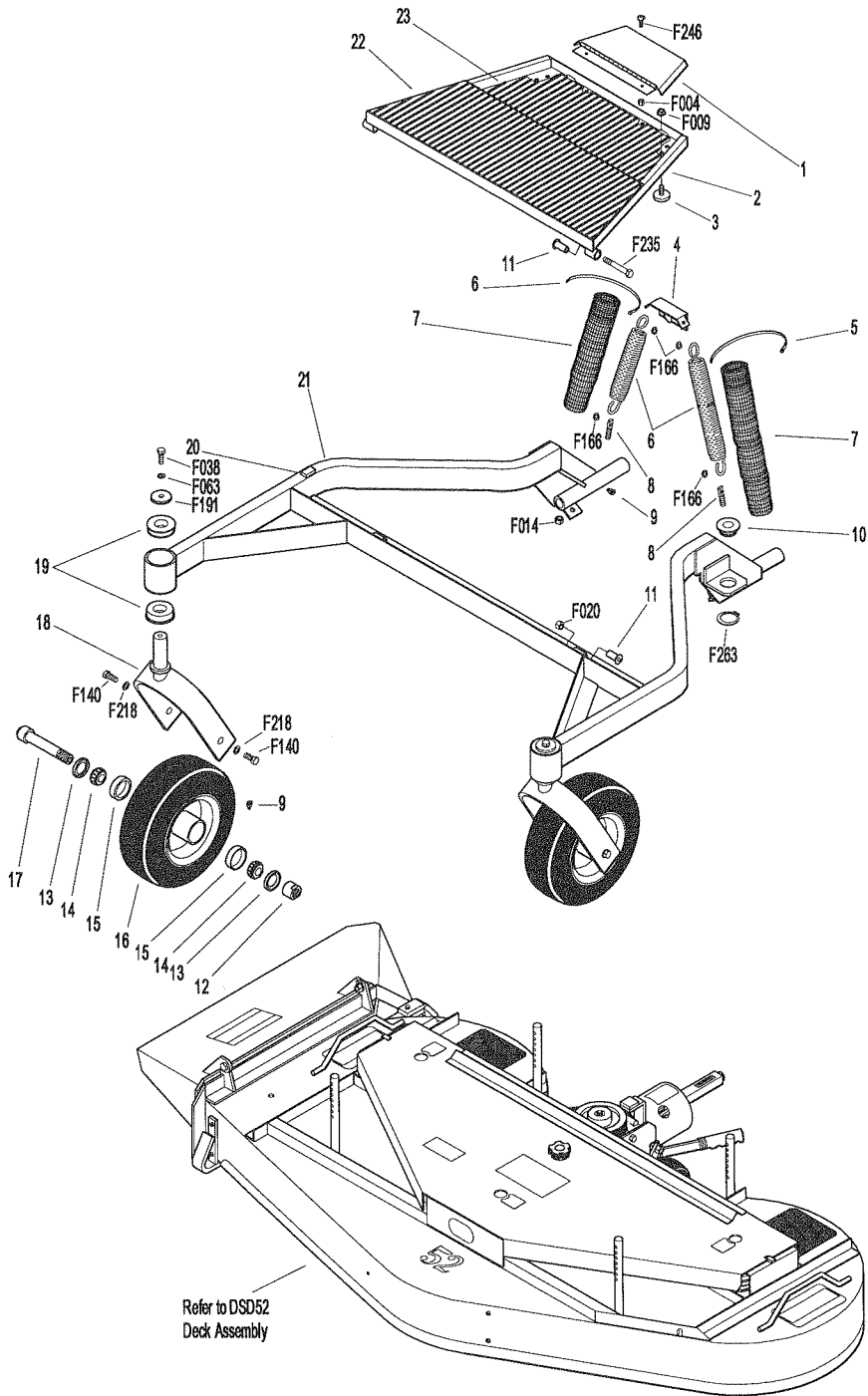
Use only genuine Walker replacement parts.

## 8757 52 INCH CARRIER FRAME ASSEMBLY

ITEM NO.	PART NO.	DESCRIPTION	NO. REQ'D	ITEM NO.	PART NO.	DESCRIPTION	NO. REQ'D
<b>8757 52 Inch Carrier Frame Assembly (May Be Used On Models MDD/MDG &amp; MT)</b>				21	8756	52" Carrier Frame (Includes Item # 20)	1
1	8789	Pulley Guard	1	22	8786-4	Rubber Mat, Front	1
2	8786	Footrest (Includes Items # 22 & 23)	1	23	8786-3	Rubber Mat, Rear	1
3	7844	Rubber Bumper (1.25 OD x .250)	2	<b>Fasteners</b>			
4	5744-1	Spring Clip Bracket	1		F004	1/4-20 Keps Nut	2
5	5975-3	Cable Tie (50# x 7")	4		F009	5/16-18 Whiz Locknut	2
6	5743-2	Extension Spring (1-1/2 x 7-3/4)	2		F014	3/8-16 ESNA Nut	2
7	5743-1	Spring Cover	2		F020	5/16-18 ESNA Nut	2
8	5743-3	Eyebolt (3/8-16 x 2)	2		F038	3/8-16 x 1 Hex Bolt	2
9	5830-3	Grease Fitting (45 Degree)	4		F063	3/8 Internal Star Lock Washer	2
10	8740	Deck Pin Bushing	4		F140	7/16-14 x 1 Hex Bolt	4
11	5103-2	Pivot Bushing	4		F166	Retainer Ring	4
12	8766	Axle Nut (3/4-16)	2		F191	3/8 x 1-1/2 x 3/16 Washer	2
13	8768-2	Seal, Caster Wheel	4		F218	7/16 Split Lock Washer	4
14	8037	Bearing Cone (3/4 ID)	4		F235	5/16-18 x 2-1/2 Hex Bolt	2
15	8037-2	Bearing Race	4		F246	1/4-20 x 1/2 PTHMS	2
16	8768	Pneumatic Caster Wheel (11 x 4.00-5) (Includes Items # 9 & 15)	2		F263	1-1/4 External Snap Ring	4
	8768-3	Tire Only, Pneumatic (11 x 4.00-5)	*	* Service Part Only			
	8768-5	Wheel Only (5 x 3)	*				
17	8767	Axle, Caster Wheel	2	<b>NOTE:</b> Decals for this assembly are not shown here. Refer to Deck Decals & Walker Touch-Up Paint (Page 2) for Decal listing and placement information.			
18	8765	Caster Wheel Fork	2				
19	8769	Flanged Bearing (1.00 ID x 2.00 OD)	4				
20	8788	Rubber Bumper (Self-Adhesive Mount)	1				



# 8757 52 INCH CARRIER FRAME ASSEMBLY



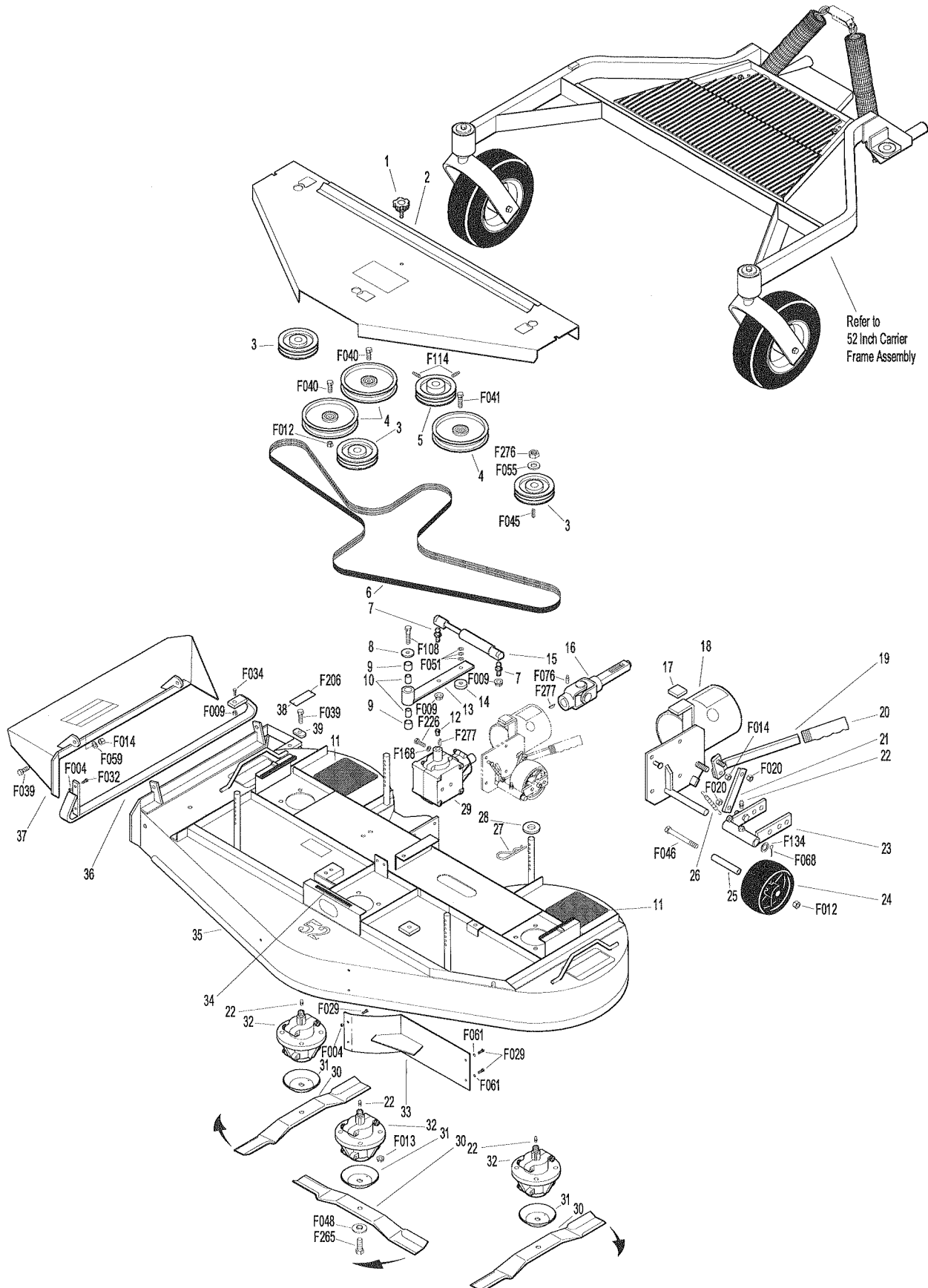
# DSD52 DECK ASSEMBLY

ITEM NO.	PART NO.	DESCRIPTION	NO. REQ'D	ITEM NO.	PART NO.	DESCRIPTION	NO. REQ'D
<b>DSD52 Deck Assembly</b>				35	8753	52" Deck Housing, SD	1
<b>(May Be Used On Models MDD/MDG &amp; MT)*</b>						(Includes Items # 11, 33, 34, F004, F029 & F061)	
1	8787	Deck Cover Knob	1	36	8707	Skid Bar	1
2	8754	Cover Plate (52" Deck)	1	37	8709	Discharge Shield	1
3	8755	Blade Drive Pulley (3-7/8)	3	38	NS	Deck Serial Number Plate	1
4	8245	Idler Pulley (6")	3	39	5052-3	1.375 x .750 x .187 Washer, Oblong	12
5	6240-2	Drive Pulley (4-1/2 / 3V) (Includes Item # F114)	1	<b>Fasteners</b>			
6	8736	Blade Drive Belt, 52" (R3VX1000-2)	1		F004	1/4-20 Keps Nut	4
7	5146	10mm Ball Stud	2		F009	5/16-18 Whiz Locknut	3
8	5841	Retainer Washer	1		F012	3/8-16 Keps Nut	2
9	7201-1	Needle Bearing	2		F013	3/8-16 Whiz Locknut	12
10	7201	Bearing Inner Race	2		F014	3/8-16 ESNA Nut	3
11	8735	Safety Tread (5 x 6)	2		F020	5/16-18 ESNA Nut	2
12	6206	Pressure Relief Valve	1		F029	1/4-20 x 1/2 Hex Bolt	4
13	8373	Idler Arm	1		F032	1/4-20 x 3/4 Hex Bolt	2
14	8374	Idler Arm Guide	1		F034	5/16-18 x 3/4 Hex Bolt	1
15	8762	Dampening Spring (Gas)	1		F039	3/8-16 x 1-1/4 Hex Bolt	14
16	8285	Universal Joint Shaft Assembly (Includes Item # F076)	1		F040	3/8-16 x 1-1/2 Hex Bolt	2
17	8788	Rubber Bumper (Self-Adhesive Mount)	1		F041	3/8-16 x 1-3/4 Hex Bolt	1
18	8745-3	Mount Bracket & PTO Guard (Includes Item # 17)	1		F045	3/16 x 3/16 x 3/4 Key	3
	8745	Dolly Wheel/PTO Guard Assembly (Includes Items # 17-26, F012, F014, F020, F046, F068 & F134)	**		F046	3/8-16 x 3-1/2 Hex Bolt	1
					F048	1/2 SAE Washer	3
					F051	3/8 SAE Washer	3***
					F055	5/8 SAE Washer	3
19	8745-14	Retract Lever	1		F059	3/8 Wave Spring Washer	2
20	5850-1	Handle Grip	1		F061	1/4 Internal Star Lock Washer	2
21	8745-12	Actuator Link	1		F068	1/8 x 1 Cotter Pin	1
22	5830	Grease Fitting	4		F076	3/8-16 x 5/8 SQH Set Screw	1
23	8745-13	Dolly Wheel Mount Bracket (Includes Item # 22)	1		F108	3/8-16 x 2 Hex Bolt	1
					F114	5/16-18 x 5/8 SQH Set Screw	2
24	6715	Roller Wheel (3-7/8)	1		F134	AN960816L Washer	1
25	8745-15	Axle Spacer Tube	1		F168	5/16 Split Lock Washer	8
26	5229	Extension Spring (1/2 x 2-1/4)	1		F206	#2 x 3/16 Drive Pin	2
27	8775	Hitch Pin (#219)	4		F226	5/16-18 x 7/8 Hex Bolt	8
28	8727	Washer Shim, 13/16 ID x 1/4	4		F265	1/2-20 x 1-1/2 Hex Bolt	3
29	8051	Right Angle Gearbox (Includes Item # 12)	1		F276	5/8-11 Jam Nut	3
					F277	3/16 x 5/8 Woodruff Key (#605)	2
30	8738	Blade, 18-1/2 (RH Rotation)	3	* Use of this Deck on GHS Tractors requires installation of P/N 5595-2 (Blower Intake Cover). Contact your Walker dealer. ** Service Part Only *** Average number used per assembly. Adjust as required.			
	8738-1	Blade Set (52" SD)	**				
31	8739	Spindle Shield	3				
32	8052	Blade Spindle (Includes Item # 22)	3				
33	8744	V-Baffle, Front	1				
34	8790	Rubber Cushion Strip	3	<b>NOTE:</b> Decals for this assembly are not shown here. Refer to Deck Decals & Walker Touch-Up Paint (Page 2) for Decal listing and placement information.			

Use only genuine **Walker** replacement parts.

Effective Date 07-31-97

# DSD52 DECK ASSEMBLY



Effective Date 07-31-97

Use only genuine **Walker** replacement parts.

## 8671 MULCHING KIT (FOR DSD52 DECK ASSEMBLY)

ITEM NO.	PART NO.	DESCRIPTION	NO. REQ'D	ITEM NO.	PART NO.	DESCRIPTION	NO. REQ'D
<b>8671 Mulching Kit*</b> (May Be Used On Models MDD/MDG & MT)**				<b>Fasteners</b>			
1	8685	Mulching Baffle, RH	1	F004		1/4-20 Keps Nut	8
2	8686	Mulching Baffle, LH	1	F029		1/4-20 x 1/2 Hex Bolt	10
3	8738-2	Blade, 18-1/2 Mulching (RH Rotation)	3	F048		1/2 SAE Washer	3 <sup>▲</sup>
	8738-3	Mulching Blade Set (52" Deck)	***	F061		1/4 Internal Star Lock Washer	2
4	8738	Blade, 18-1/2 (RH Rotation)	3 <sup>▲</sup>	F265		1/2-20 x 1-1/2 Hex Bolt	3 <sup>▲</sup>

\* May be ordered as a factory-installed option or as a kit for dealer installation. Contact your Walker dealer.

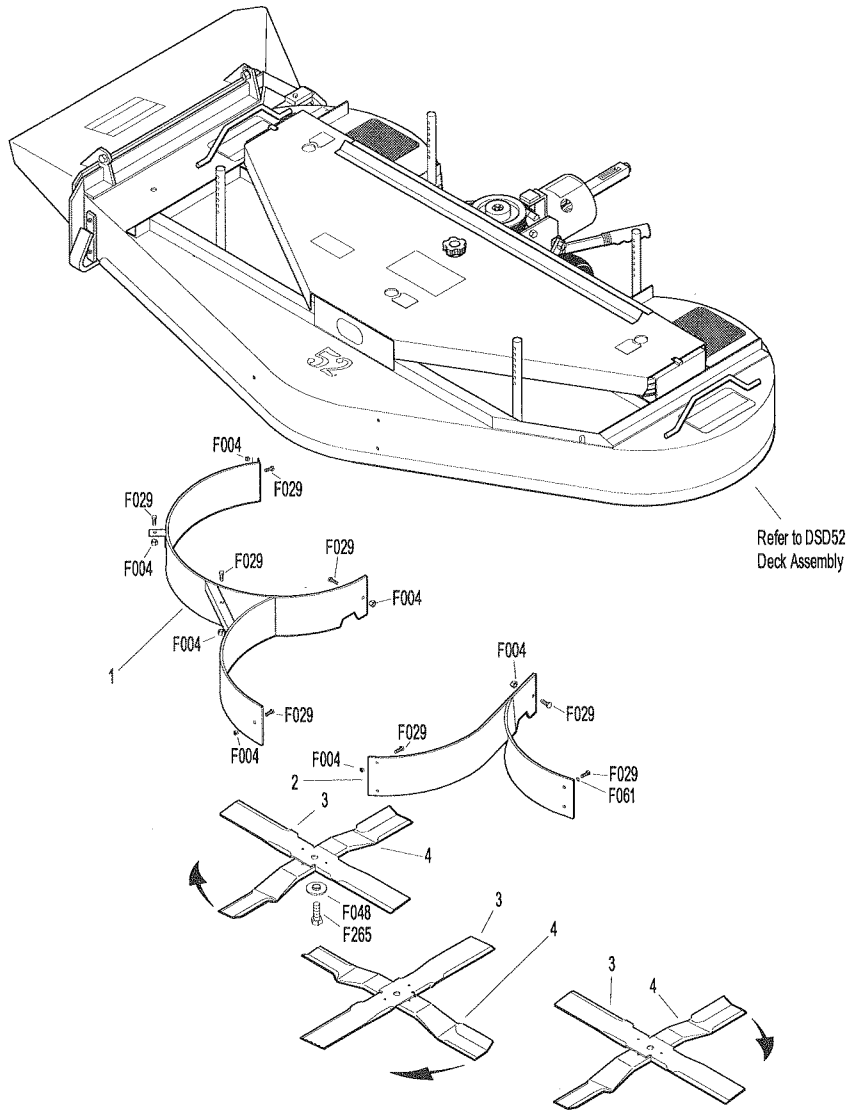
\*\* 8671 Mulching Kit requires DSD52 Deck Assembly. Use of this Deck on GHS Tractors requires installation of P/N 5595-2 (Blower Intake Cover). Contact your Walker dealer.

\*\*\* Service Part Only. Includes 8738-2 Blades (3 Pieces).

<sup>▲</sup> This is an existing part reused from DSD52 Deck Assembly and is not included with Mulching Kit.

**NOTE:** Decals for this assembly are not shown here. Refer to Deck Decals & Walker Touch-Up Paint (Page 2) for Decal listing and placement information.

# 8671 MULCHING KIT (FOR DSD52 DECK ASSEMBLY)



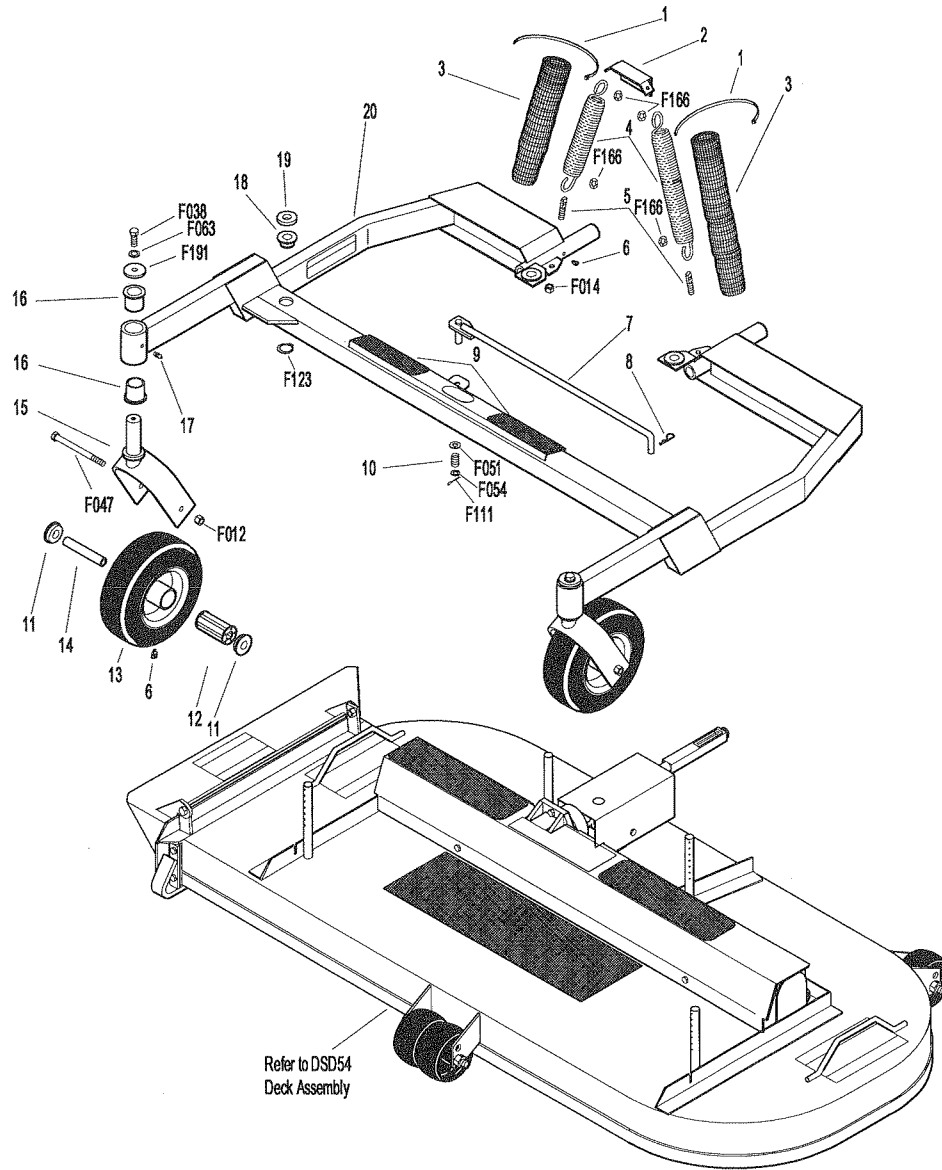
## 6700-1 54 INCH CARRIER FRAME ASSEMBLY

ITEM NO.	PART NO.	DESCRIPTION	NO. REQ'D	ITEM NO.	PART NO.	DESCRIPTION	NO. REQ'D
<b>6700-1 54 Inch Carrier Frame Assembly</b>				19	5727-1	Washer Shim (5/8 ID)	4
<b>(May Be Used On Models MC, MDD/MDG &amp; MT)</b>				20	6710-2	54" Carrier Frame (Includes Item # 9)	1
1	5975-3	Cable Tie (50# x 7")	4				
2	5744-1	Spring Clip Bracket	1	<b>Fasteners</b>			
3	5743-1	Spring Cover	2				
4	5743-2	Extension Spring (1-1/2 x 7-3/4)	2	F012	3/8-16 Keps Nut		2
5	5743-3	Eyebolt (3/8-16 x 2)	2	F014	3/8-16 ESNA Nut		2
6	5830-3	Grease Fitting (45 Degree)	4	F038	3/8-16 x 1 Hex Bolt		2
7	5786-1	Deck Lift Rod (42" / 54" Deck)	1	F047	3/8-16 x 4-1/2 Hex Bolt		2
8	7666	Hitch Pin (#3)	1	F051	3/8 SAE Washer		1
9	5748	Safety Tread (2 x 6)	2	F054	AN960616 Washer		1
10	5682	Compression Spring (9/16 x 3/4)	1	F063	3/8 Internal Star Lock Washer		2
11	5714-7	Bearing Cap	4	F111	1/8 x 3/4 Cotter Pin		1
12	5714-5	Bearing, Caster Wheel	2	F123	1" External Snap Ring		4
13	5715-4	Pneumatic Caster Wheel (8 x 3.00-4) (Includes Items # 6, 11 & 12)	2	F166	Retainer Ring		4
	5715-10	Tire Only, Pneumatic (8 x 3.00-4)	*	F191	3/8 x 1-1/2 x 3/16 Washer		2
	5715-9	Tube Only, Pneumatic (2.80/2.50-4)	*	* Service Part Only			
	5715-3	Semi-Pneumatic Caster Wheel (8.25 x 2.75)	**	** May be ordered as a factory-installed option or as a kit for dealer installation. Contact your Walker Dealer.			
14	5714-3	Axle Spacer Tube	2				
15	5770-2	Caster Wheel Fork	2	<b>NOTE:</b> Decals for this assembly are not shown here. Refer to Deck Decals & Walker Touch-Up Paint (Page 2) for Decal listing and placement information.			
16	5683	Pivot Bearing	4				
17	5830	Grease Fitting	2				
18	5740-2	Deck Pin Bushing (5/8 ID)	4				

Use only genuine **Walker** replacement parts.

Effective Date 07-31-97

# 6700-1 54 INCH CARRIER FRAME ASSEMBLY

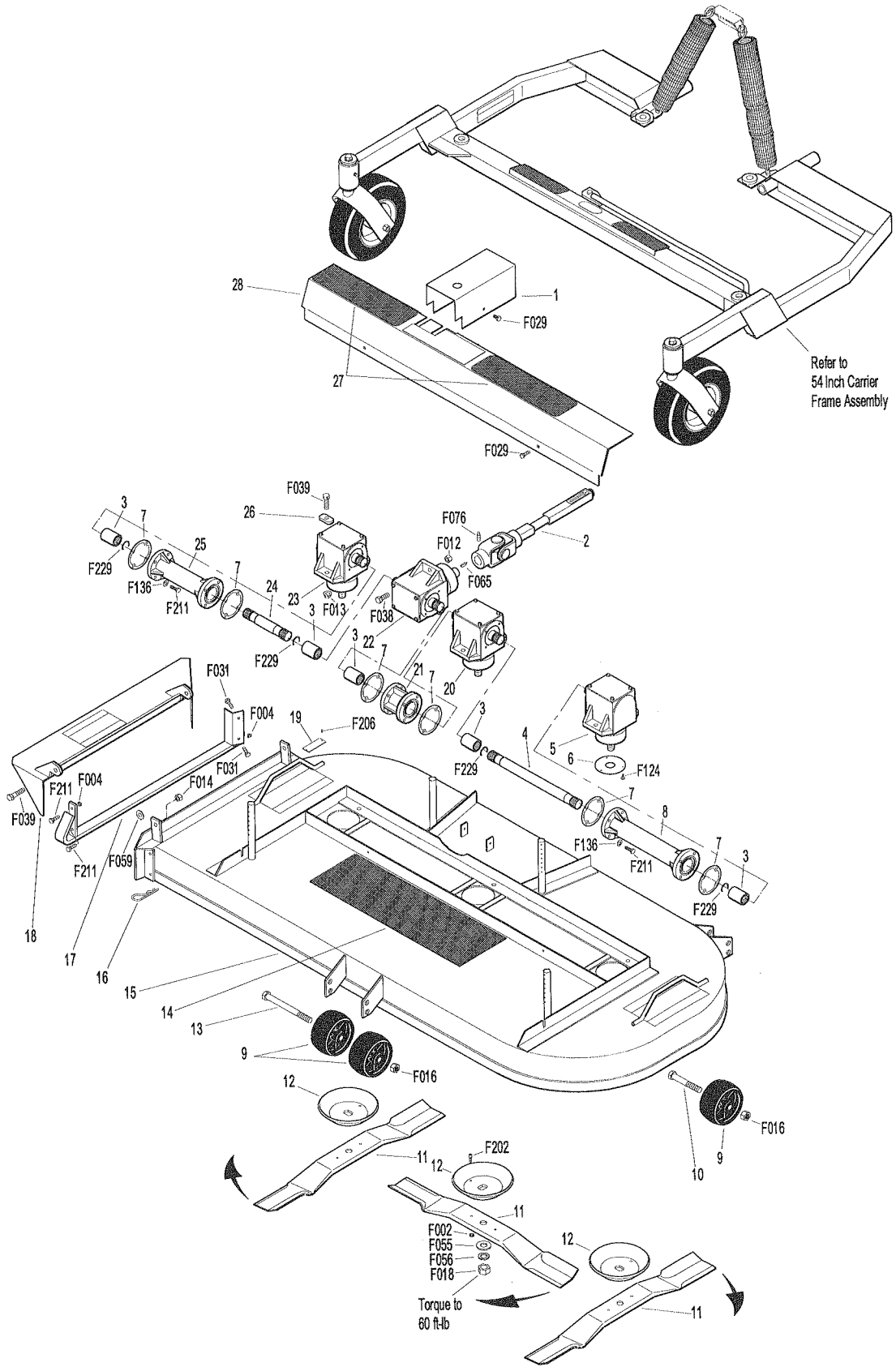


# DSD54 DECK ASSEMBLY

ITEM NO.	PART NO.	DESCRIPTION	NO. REQ'D	ITEM NO.	PART NO.	DESCRIPTION	NO. REQ'D
<b>DSD54 Deck Assembly</b>				28	6785	Gearbox Cover (54" Deck)	1
<b>(May Be Used On Models MC, MDD/MDG &amp; MT)*</b>						(Includes Item # 27)	
1	5745	PTO Shaft Guard	1	<b>Fasteners</b>			
2	5285	Universal Joint Shaft Assembly (Includes Item # F076)	1	F002	10-24 Keps Nut		6
3	6054	Spline Coupling	5	F004	1/4-20 Keps Nut		4
4	6732-5	Connecting Shaft (11")	1	F012	3/8-16 Keps Nut		1
5	5052-1	Blade Drive Gearbox (LH Rotation)	1	F013	3/8-16 Whiz Locknut		6
6	5706-4	Seal Protector Plate	4	F014	3/8-16 ESNA Nut		2
7	P007	Gasket, Cap (Peerless #788030)	6	F016	1/2-13 Self-Locking Nut		2
8	5064	Gearbox Connector Tube (13-1/2)	1	F018	5/8-18 Hex Nut		3
9	6715	Roller Wheel (3-7/8)	3	F029	1/4-20 x 1/2 Hex Bolt		4
10	6716-2	Rear Axle, Anti-Scalp Roller (Bolt)	1	F031	1/4-20 x 5/8 Hex Bolt		2
11	5705-0	Blade, 20" (RH Rotation)	3	F038	3/8-16 x 1 Hex Bolt		1
	5705-9	Blade Set (54" SD Deck) (Includes Items # 11, 12, F002 & F202)	**	F039	3/8-16 x 1-1/4 Hex Bolt		8
12	5706	Blade Hub & Trash Guard	3	F055	5/8 SAE Washer		3
13	6716-3	Front Axle, Anti-Scalp Roller (Bolt)	1	F056	5/8 Split Lock Washer		3
14	5747-1	Safety Tread (6 x 19)	1	F059	3/8 Wave Spring Washer		2
15	6705-2	54" Deck Housing, SD (Includes Item # 14)	1	F065	3/16 x 3/4 Woodruff Key (#9)		1
16	5775-2	Hitch Pin (#6)	4	F076	3/8-16 x 5/8 SQH Set Screw		1
17	6707	Skid Bar (54" Deck)	1	F124	10-32 x 3/8 Taptite Machine Screw		12
18	6709	Discharge Shield (54" Deck)	1	F136	AN960C416L Washer		24
19	NS	Deck Serial Number Plate	1	F202	10-24 x 5/8 SHC Screw, GR5 SS		6
20	5058	Tee Gearbox, Blade Drive	1	F206	#2 x 3/16 Drive Pin		2
21	5060	Gearbox Connector Tube (2-1/2)	1	F211	1/4-20 x 7/8 Hex Bolt		26
22	5051	Tee Gearbox	1	F229	C-Clip (13/16)		4
23	5053-1	Blade Drive Gearbox (RH Rotation)	1	* Use of this Deck on GHS Tractors requires installation of P/N 5595-2 (Blower Intake Cover). Contact your Walker dealer.			
24	6732-4	Connecting Shaft (5")	1	** Service Part Only			
25	5065	Gearbox Connector Tube (7-1/2)	1	<b>NOTE:</b> Decals for this assembly are not shown here. Refer to Deck Decals & Walker Touch-Up Paint (Page 2) for Decal listing and placement information.			
26	5052-3	1.375 x .750 x .187 Washer, Oblong	6				
27	5747-3	Safety Tread (3 x 11)	2				



# DSD54 DECK ASSEMBLY



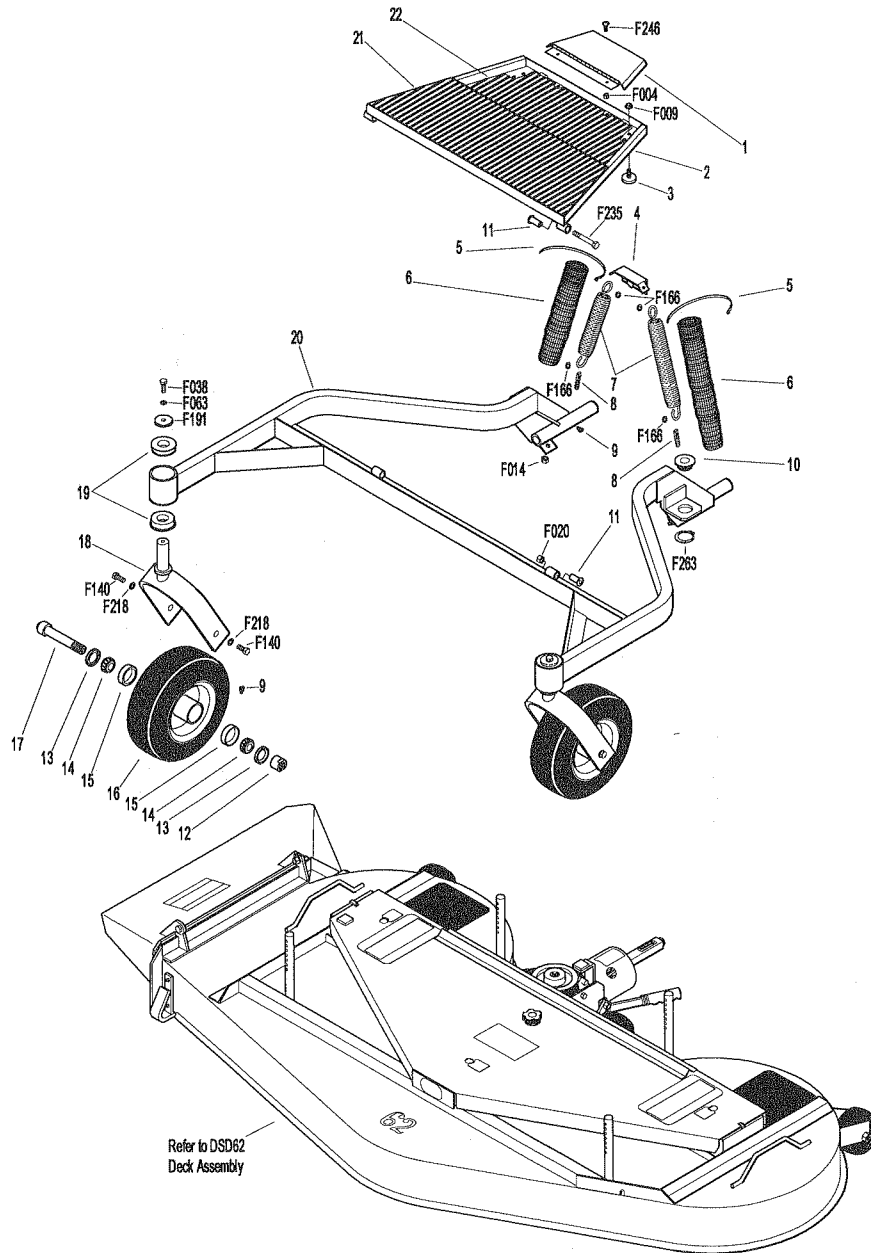
## 8700 62 INCH CARRIER FRAME ASSEMBLY

ITEM NO.	PART NO.	DESCRIPTION	NO. REQ'D	ITEM NO.	PART NO.	DESCRIPTION	NO. REQ'D
<b>8700 62 Inch Carrier Frame Assembly</b>				20	8713-1	62" Carrier Frame	1
<b>(May Be Used On Models MDD/MDG &amp; MT)</b>				21	8786-4	Rubber Mat, Front	1
				22	8786-3	Rubber Mat, Rear	1
1	8789	Pulley Guard	1				
2	8786	Footrest (Includes Items # 21 & 22)	1	<b>Fasteners</b>			
3	7844	Rubber Bumper (1.25 OD x .250)	2	F004	1/4-20 Keps Nut	2	
4	5744-1	Spring Clip Bracket	1	F009	5/16-18 Whiz Locknut	2	
5	5975-3	Cable Tie (50# x 7")	4	F014	3/8-16 ESNA Nut	2	
6	5743-1	Spring Cover	2	F020	5/16-18 ESNA Nut	2	
7	5743-2	Extension Spring (1-1/2 x 7-3/4)	2	F038	3/8-16 x 1 Hex Bolt	2	
8	5743-3	Eyebolt (3/8-16 x 2)	2	F063	3/8 Internal Star Lock Washer	2	
9	5830-3	Grease Fitting (45 Degree)	4	F140	7/16-14 x 1 Hex Bolt	4	
10	8740	Deck Pin Bushing	4	F166	Retainer Ring	4	
11	5103-2	Pivot Bushing	4	F191	3/8 x 1-1/2 x 3/16 Washer	2	
12	8766	Axle Nut (3/4-16)	2	F218	7/16 Split Lock Washer	4	
13	8768-2	Seal, Caster Wheel	4	F235	5/16-18 x 2-1/2 Hex Bolt	2	
14	8037	Bearing Cone (3/4 ID)	4	F246	1/4-20 x 1/2 PTHMS	2	
15	8037-2	Bearing Race	4	F263	1-1/4 External Snap Ring	4	
16	8768	Pneumatic Caster Wheel (11 x 4.00-5) (Includes Items # 9 & 15)	2	* Service Part Only			
	8768-3	Tire Only, Pneumatic (11 x 4.00-5)	*				
	8768-5	Wheel Only (5 x 3)	*				
17	8767	Axle, Caster Wheel	2	<b>NOTE:</b> Decals for this assembly are not shown here. Refer to Deck Decals & Walker Touch-Up Paint (Page 2) for Decal listing and placement information.			
18	8765	Caster Wheel Fork	2				
19	8769	Flanged Bearing (1.00 ID x 2.00 OD)	4				

Use only genuine **Walker** replacement parts.

Effective Date 07-31-97

# 8700 62 INCH CARRIER FRAME ASSEMBLY



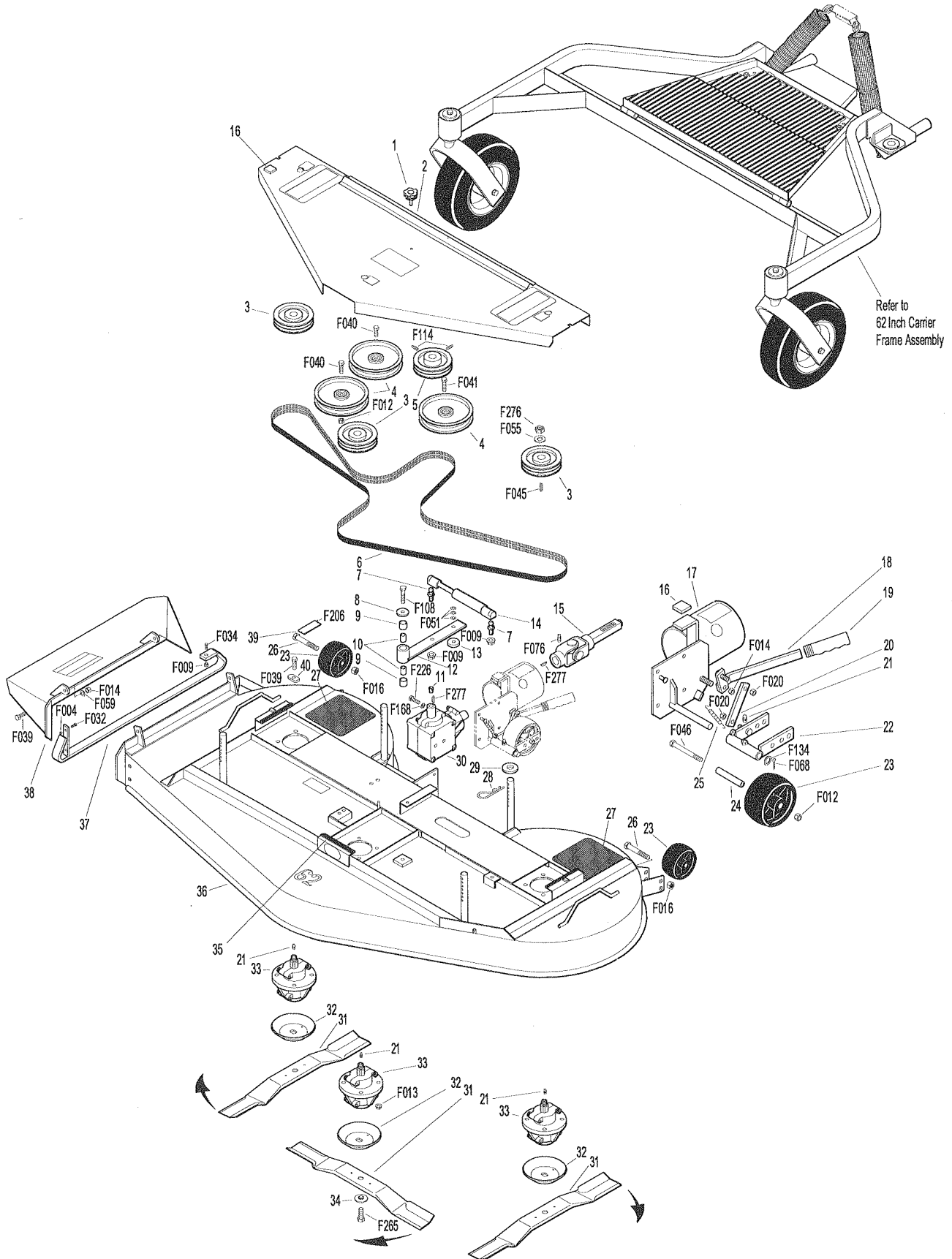
## DSD62 DECK ASSEMBLY

ITEM NO.	PART NO.	DESCRIPTION	NO. REQ'D	ITEM NO.	PART NO.	DESCRIPTION	NO. REQ'D
<b>DSD62 Deck Assembly</b>				35	8790	Rubber Cushion Strip	3
<b>(May Be Used On Models MDD/MDG &amp; MT)*</b>				36	8701	62" Deck Housing, SD (Includes Items # 27 & 35)	1
1	8787	Deck Cover Knob	1	37	8707	Skid Bar	1
2	8785	Cover Plate, 62" Deck (Includes Item # 16)	1	38	8709	Discharge Shield	1
3	8240	Blade Drive Pulley (4-1/2)	3	39	NS	Deck Serial Number Plate	1
4	8245	Idler Pulley (6")	3	40	5052-3	1.375 x .750 x .187 Washer, Oblong	12
5	6240-2	Drive Pulley (4-1/2 / 3V) (Includes Item # F114)	1	<b>Fasteners</b>			
6	8731	Blade Drive Belt, 62" (2/3VX1180)	1	F004	1/4-20 Keps Nut		2
7	5146	10mm Ball Stud	2	F009	5/16-18 Whiz Locknut		3
8	5841	Retainer Washer	1	F012	3/8-16 Keps Nut		2
9	7201-1	Needle Bearing	2	F013	3/8-16 Whiz Locknut		12
10	7201	Bearing Inner Race	2	F014	3/8-16 ESNA Nut		3
11	6206	Pressure Relief Valve	1	F016	1/2-13 Self-Locking Nut		2
12	8373	Idler Arm	1	F020	5/16-18 ESNA Nut		2
13	8374	Idler Arm Guide	1	F032	1/4-20 x 3/4 Hex Bolt		2
14	8762	Dampening Spring (Gas)	1	F034	5/16-18 x 3/4 Hex Bolt		1
15	8285	Universal Joint Shaft Assembly (Includes Item # F076)	1	F039	3/8-16 x 1-1/4 Hex Bolt		14
16	8788	Rubber Bumper (Self-Adhesive Mount)	2	F040	3/8-16 x 1-1/2 Hex Bolt		2
17	8745-3	Mount Bracket & PTO Guard (Includes Item # 16)	1	F041	3/8-16 x 1-3/4 Hex Bolt		1
	8745	Dolly Wheel/PTO Guard Assembly (Includes Items # 16-25, F012, F014, F020, F046, F068 & F134)	**	F045	3/16 x 3/16 x 3/4 Key		3
18	8745-14	Retract Lever	1	F046	3/8-16 x 3-1/2 Hex Bolt		1
19	5850-1	Handle Grip	1	F051	3/8 SAE Washer		3***
20	8745-12	Actuator Link	1	F055	5/8 SAE Washer		3
21	5830	Grease Fitting	4	F059	3/8 Wave Spring Washer		2
22	8745-13	Dolly Wheel Mount Bracket (Includes Item # 21)	1	F068	1/8 x 1 Cotter Pin		1
23	6715	Roller Wheel (3-7/8)	3	F076	3/8-16 x 5/8 SQH Set Screw		1
24	8745-15	Axle Spacer Tube	1	F108	3/8-16 x 2 Hex Bolt		1
25	5229	Extension Spring (1/2 x 2-1/4)	1	F114	5/16-18 x 5/8 SQH Set Screw		2
26	6716-2	Rear Axle, Anti-Scalp Roller (Bolt)	2	F134	AN960816L Washer		1
27	8747	Safety Tread (6 x 6)	2	F168	5/16 Split Lock Washer		8
28	8775	Hitch Pin (#219)	4	F206	#2 x 3/16 Drive Pin		2
29	8727	Washer Shim, 13/16 ID x 1/4	4	F226	5/16-18 x 7/8 Hex Bolt		8
30	8051	Right Angle Gearbox (Includes Item # 11)	1	F265	1/2-20 x 1-1/2 Hex Bolt		3
31	5705-3	Blade, 22" (RH Rotation)	3	F276	5/8-11 Jam Nut		3
	5705-13	Blade Set (62" SD)	**	F277	3/16 x 5/8 Woodruff Key (#605)		2
32	8739	Spindle Shield	3	* Use of this Deck on GHS Tractors requires installation of P/N 5595-2 (Blower Intake Cover). Contact your Walker dealer.			
33	8052	Blade Spindle (Includes Item # 21)	3	** Service Part Only			
34	8728	Machine Bushing (1/2 x 1-1/2)	3	*** Average number used per assembly. Adjust as required.			
				<b>NOTE:</b> Decals for this assembly are not shown here. Refer to Deck Decals & Walker Touch-Up Paint (Page 2) for Decal listing and placement information.			

Use only genuine **Walker** replacement parts.

Effective Date 07-31-97

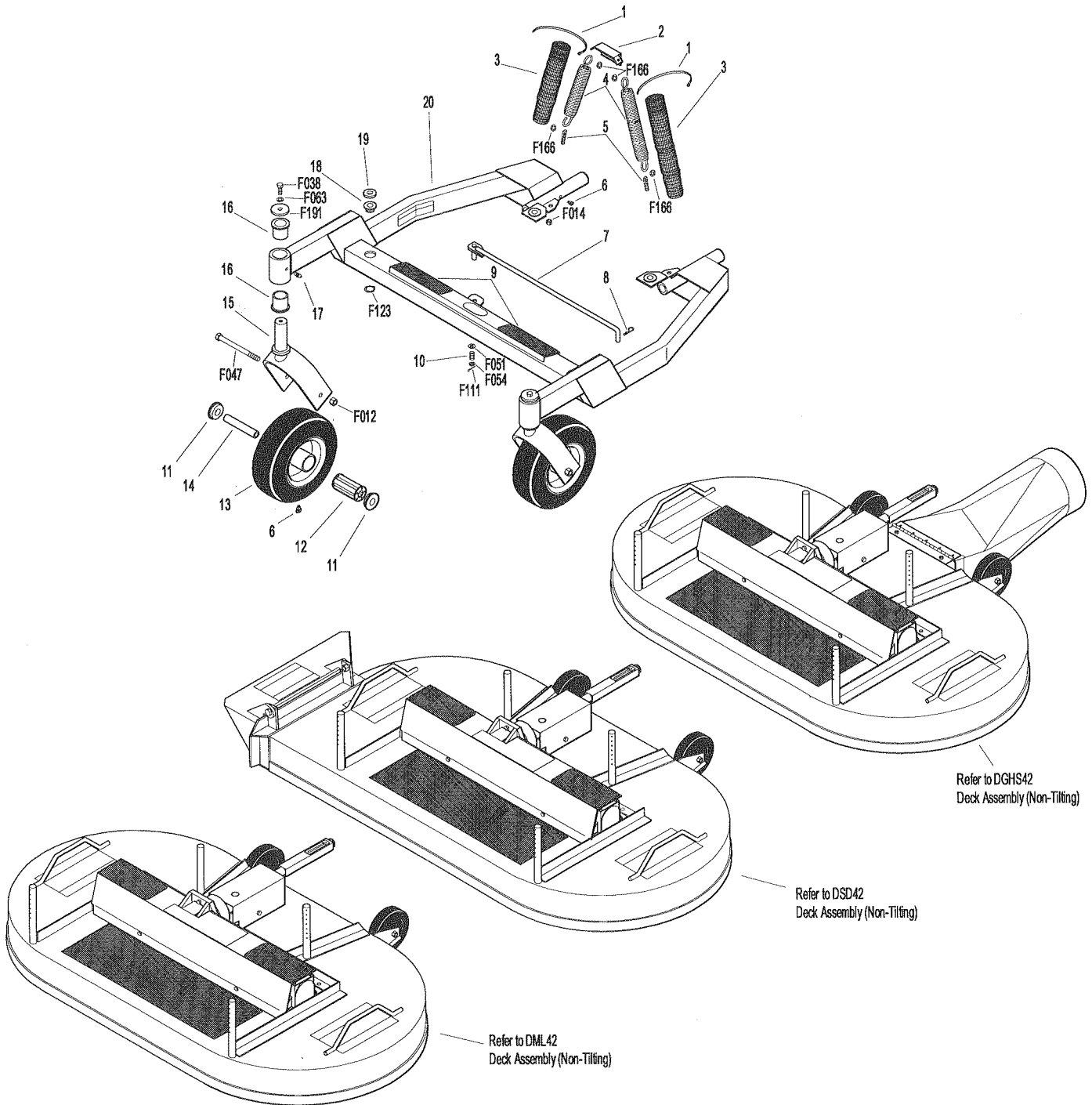
# DSD62 DECK ASSEMBLY



## 5700-6 42 INCH CARRIER FRAME ASSEMBLY (NON-TILTING)

ITEM NO.	PART NO.	DESCRIPTION	NO. REQ'D	ITEM NO.	PART NO.	DESCRIPTION	NO. REQ'D
<p>This section affects DGHS42, DSD42 and DML42 Decks prior to Serial Number D4-30568.</p>				17	5830	Grease Fitting	2
				18	5740-2	Deck Pin Bushing (5/8 ID)	4
				19	5727-1	Washer Shim (5/8 ID)	4
<p>5700-6 42 Inch Carrier Frame Assembly (Non-Tilting) (May Be Used On All Models)</p>				20	5719-3	42" Carrier Frame (Includes Item # 9)	1
1	5975-3	Cable Tie (50# x 7")	4	<b>Fasteners</b>			
2	5744-1	Spring Clip Bracket	1				
3	5743-1	Spring Cover	2		F012	3/8-16 Keps Nut	2
4	5743-2	Extension Spring (1-1/2 x 7-3/4)	2		F014	3/8-16 ESNA Nut	2
5	5743-3	Eyebolt (3/8-16 x 2)	2		F038	3/8-16 x 1 Hex Bolt	2
6	5830-3	Grease Fitting (45 Degree)	4		F047	3/8-16 x 4-1/2 Hex Bolt	2
7	5786-1	Deck Lift Rod (42" / 54" Deck)	1		F051	3/8 SAE Washer	1
8	7666	Hitch Pin (#3)	1		F054	AN960616 Washer	1
9	5748	Safety Tread (2 x 6)	2		F063	3/8 Internal Star Lock Washer	2
10	5682	Compression Spring (9/16 x 3/4)	1		F111	1/8 x 3/4 Cotter Pin	1
11	5714-7	Bearing Cap	4		F123	1" External Snap Ring	4
12	5714-5	Bearing, Caster Wheel	2		F166	Retainer Ring	4
13	5715-4	Pneumatic Caster Wheel (8 x 3.00-4) (Includes Items # 6, 11 & 12)	2		F191	3/8 x 1-1/2 x 3/16 Washer	2
	5715-10	Tire Only, Pneumatic (8 x 3.00-4)	*	* Service Part Only			
	5715-9	Tube Only, Pneumatic (2.80/2.50-4)	*	** May be ordered as a factory-installed option or as a kit for dealer installation. Contact your Walker dealer.			
	5715-3	Semi-Pneumatic Caster Wheel (8.25 x 2.75)	**				
14	5714-3	Axle Spacer Tube	2	<b>NOTE:</b> Decals for this assembly are not shown here. Refer to Deck Decals & Walker Touch-Up Paint (Page 2) for Decal listing and placement information.			
15	5770-2	Caster Wheel Fork	2				
16	5683	Pivot Bearing	4				

# 5700-6 42 INCH CARRIER FRAME ASSEMBLY (NON-TILTING)



## DGHS42 DECK ASSEMBLY (NON-TILTING)

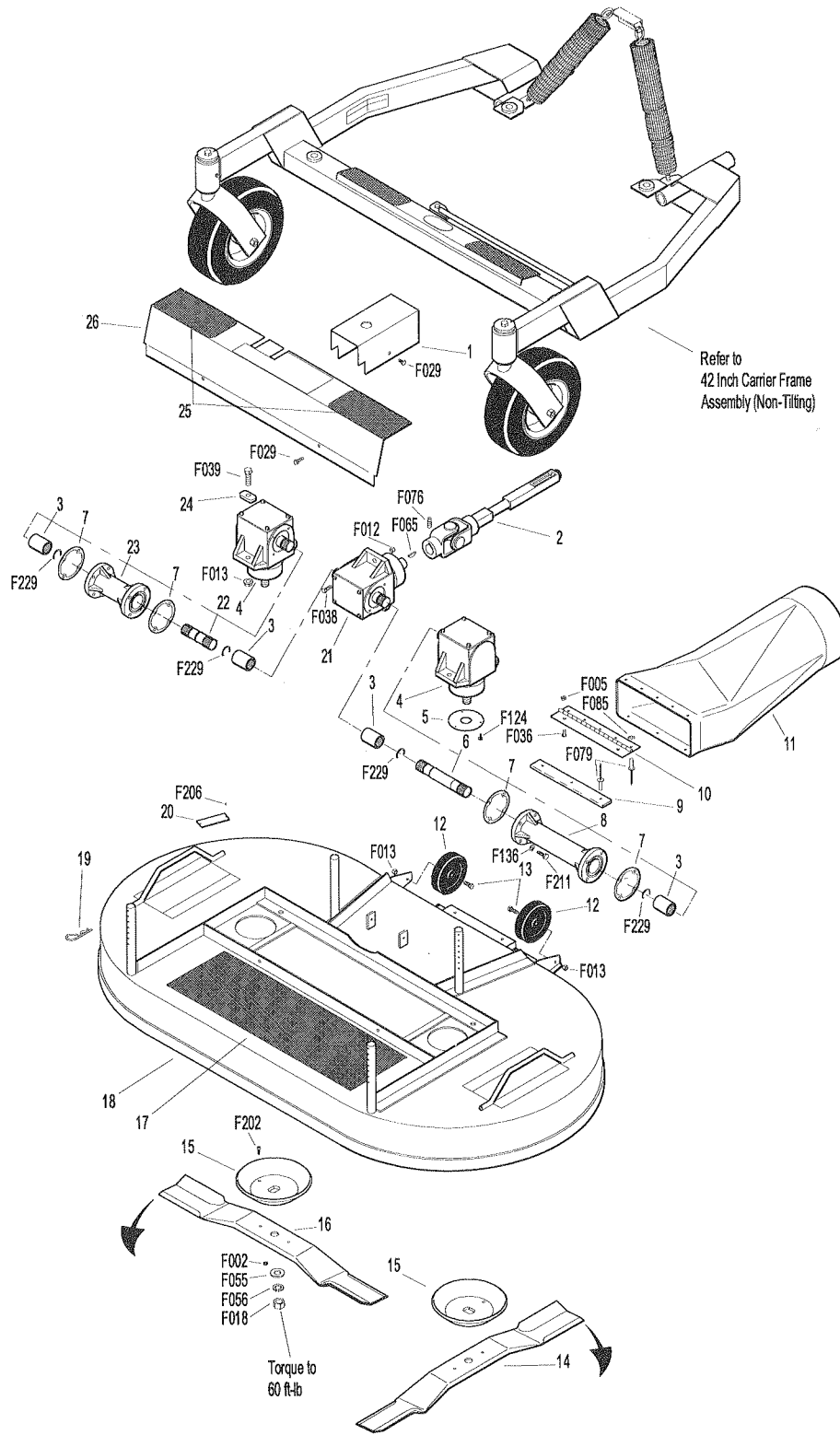
ITEM NO.	PART NO.	DESCRIPTION	NO. REQ'D	ITEM NO.	PART NO.	DESCRIPTION	NO. REQ'D
<b>This section affects DGHS42, DSD42 and DML42 Decks prior to Serial Number D4-30568.</b>				24	5052-3	1.375 x .750 x .187 Washer, Oblong	4
				25	5747-0	Safety Tread (3-1/4 x 6)	2
				26	5785	Gearbox Cover (42" Deck) (Includes Item # 25)	1
<b>DGHS42 Deck Assembly (Non-Tilting) (May Be Used On All GHS Models)</b>							
				<b>Fasteners</b>			
1	5745	PTO Shaft Guard	1				
2	5285	Universal Joint Shaft Assembly (Includes Item # F076)	1	F002	10-24 Keps Nut		4
3	6054	Spline Coupling	4	F005	1/4-20 ESNA Nut		2
4	5052-1	Blade Drive Gearbox (LH rotation)	2	F012	3/8-16 Keps Nut		1
5	5706-4	Seal Protector Plate	3	F013	3/8-16 Whiz Lock Nut		6
6	6732-3	Connecting Shaft (6")	1	F018	5/8-18 Hex Nut		2
7	P007	Gasket, Cap (Peerless #788030)	4	F029	1/4-20 x 1/2 Hex Bolt		4
8	5063	Gearbox Connector Tube (8-1/2)	1	F036	1/4-20 x 1/2 SBH Screw		2
9	5755	Chute Lower Lip	1	F038	3/8-16 x 1 Hex Bolt		1
10	5726	Chute Hinge (2 x 8)	1	F039	3/8-16 x 1-1/4 Hex Bolt		4
11	5797	Discharge Chute (6-1/2 Diameter)	1	F055	5/8 SAE Washer		2
	5794	Discharge Chute Assembly (Includes Items # 9, 10, 11, F079 & F085)	*	F056	5/8 Split Lock Washer		2
12	5162	Roller Wheel (5")	2	F065	3/16 x 3/4 Woodruff Key (#9)		1
13	8490	Roller Wheel Axle Bolt	2	F076	3/8-16 x 5/8 SQH Set Screw		1
14	5705-3	Blade, 22" (RH Rotation)	1	F079	A/A66D Aluminum Pop Rivet		*
15	5706	Blade Hub & Trash Guard	2	F085	3/16 Rivet Backup Washer		*
16	5705-4	Blade, 22" (LH Rotation)	1	F124	10-32 x 3/8 Taptite Machine Screw		9
	5705-8	Blade Set (42" GHS Deck) (Includes Items # 14, 15, 16, F002 & F202)	*	F136	AN960C416L Washer		16
17	5747-1	Safety Tread (6 x 19)	1	F202	10-24 x 5/8 SHC Screw, GR5 SS		4
18	5704-4	42" Deck Housing, GHS (Includes Items # 12, 13, 17 & F013)	1	F206	#2 x 3/16 Drive Pin		2
19	5775-2	Hitch Pin (#6)	4	F211	1/4-20 x 7/8 Hex Bolt		16
20	NS	Deck Serial Number Plate	1	F229	C-Clip (13/16)		4
21	5051	Tee Gearbox	1				
22	6732-1	Connecting Shaft (2")	1				
23	5062	Gearbox Connector Tube (4-1/2)	1				

\* Service Part Only

**NOTE:** Decals for this assembly are not shown here. Refer to Deck Decals & Walker Touch-Up Paint (Page 2) for Decal listing and placement information.



# DGHS42 DECK ASSEMBLY (NON-TILTING)



## DSD42 DECK ASSEMBLY (NON-TILTING)

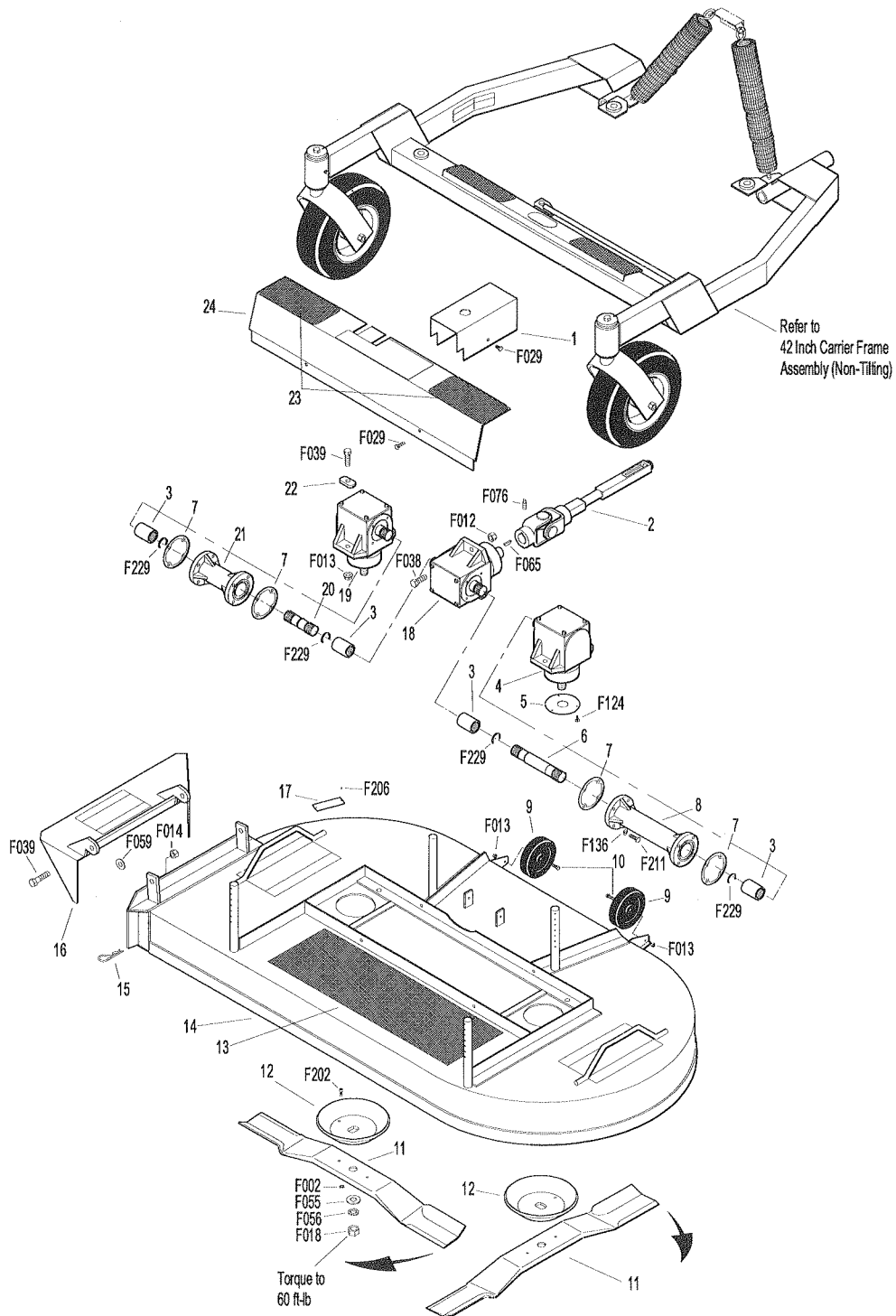
ITEM NO.	PART NO.	DESCRIPTION	NO. REQ'D	ITEM NO.	PART NO.	DESCRIPTION	NO. REQ'D
<b>This section affects DGHS42, DSD42 and DML42 Decks prior to Serial Number D4-30568.</b>				24	5785	Gearbox Cover (42" Deck) (Includes Item # 23)	1
<b>DSD42 Deck Assembly (Non-Tilting) (May Be Used On All Models)*</b>				<b>Fasteners</b>			
1	5745	PTO Shaft Guard	1	F002	10-24 Keps Nut		4
2	5285	Universal Joint Shaft Assembly (Includes Item # F076)	1	F012	3/8-16 Keps Nut		1
3	6054	Spline Coupling	4	F013	3/8-16 Whiz Lock Nut		6
4	5052-1	Blade Drive Gearbox (LH Rotation)	1	F014	3/8-16 ESNA Nut		2
5	5706-4	Seal Protector Plate	3	F018	5/8-18 Hex Nut		2
6	6732-3	Connecting Shaft (6")	1	F029	1/4-20 x 1/2 Hex Bolt		4
7	P007	Gasket, Cap (Peerless #788030)	4	F038	3/8-16 x 1 Hex Bolt		1
8	5063	Gearbox Connector Tube (8-1/2)	1	F039	3/8-16 x 1-1/4 Hex Bolt		6
9	5162	Roller Wheel (5")	2	F055	5/8 SAE Washer		2
10	8490	Roller Wheel Axle Bolt	2	F056	5/8 Split Lock Washer		2
11	5705-3	Blade, 22" (RH Rotation)	2	F059	3/8 Wave Spring Washer		2
	5705-7	Blade Set (42" SD Deck) (Includes Items # 11, 12, F002 & F202)	**	F065	3/16 x 3/4 Woodruff Key (#9)		1
12	5706	Blade Hub & Trash Guard	2	F076	3/8-16 x 5/8 SQH Set Screw		1
13	5747-1	Safety Tread (6 x 19)	1	F124	10-32 x 3/8 Taptite Machine Screw		9
14	5703-3	42" Deck Housing, SD (Includes Items # 9, 10, 13 & F013)	1	F136	AN960C416L Washer		16
15	5775-2	Hitch Pin (#6)	4	F202	10-24 x 5/8 SHC Screw, GR5 SS		4
16	5709-2	Discharge Shield, Hinged	1	F206	#2 x 3/16 Drive Pin		2
17	NS	Deck Serial Number Plate	1	F211	1/4-20 x 7/8 Hex Bolt		16
18	5051	Tee Gearbox	1	F229	C-Clip (13/16)		4
19	5053-1	Blade Drive Gearbox (RH Rotation)	1				
20	6732-1	Connecting Shaft (2")	1				
21	5062	Gearbox Connector Tube (4-1/2)	1				
22	5052-3	1.375 x .750 x .187 Washer, Oblong	4				
23	5747-0	Safety Tread (3 x 6)	2				

\* Use of this Deck on GHS Tractors requires installation of P/N 5595-2 (Blower Intake Cover). Contact your Walker dealer.

\*\* Service Part Only

**NOTE:** Decals for this assembly are not shown here. Refer to Deck Decals & Walker Touch-Up Paint (Page 2) for Decal listing and placement information.

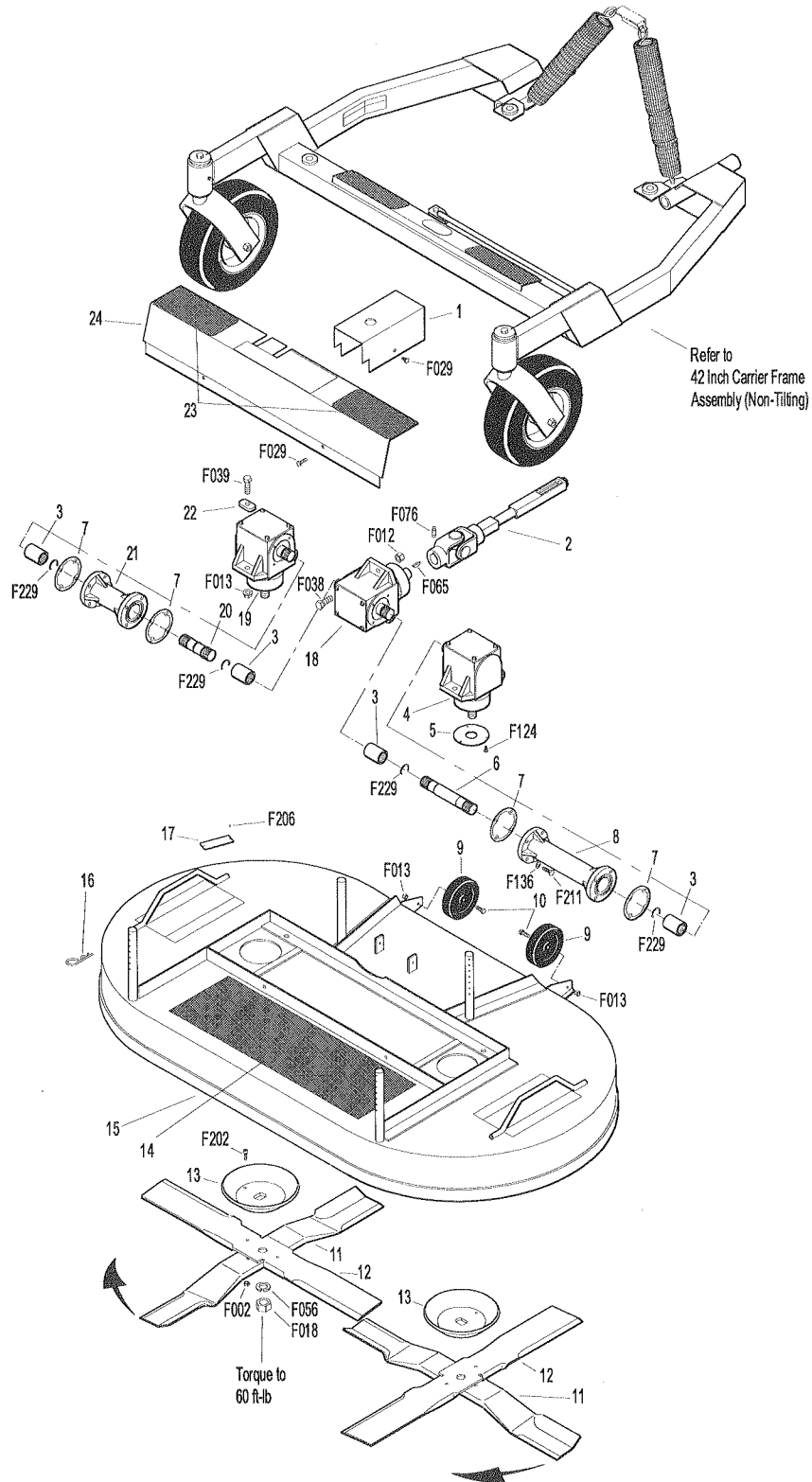
# DSD42 DECK ASSEMBLY (NON-TILTING)



## DML42 DECK ASSEMBLY (NON-TILTING)

ITEM NO.	PART NO.	DESCRIPTION	NO. REQ'D	ITEM NO.	PART NO.	DESCRIPTION	NO. REQ'D
<p><b>This section affects DGHS42, DSD42 and DML42 Decks prior to Serial Number D4-30568.</b></p>				22	5052-3	1.375 x .750 x .187 Washer, Oblong	4
				23	5747-0	Safety Tread (3 x 6)	2
				24	5785	Gearbox Cover (42" Deck) (Includes Item # 23)	1
<p><b>DML42 Deck Assembly (Non-Tilting) (May Be Used On Models MC, MDD/MDG &amp; MT)*</b></p>				<p style="text-align: center;"><b>Fasteners</b></p>			
1	5745	PTO Shaft Guard	1				
2	5285	Universal Joint Shaft Assembly (Includes Item # F076)	1	F002	10-24 Keps Nut		4
3	6054	Spline Coupling	4	F012	3/8-16 Keps Nut		1
4	5052-1	Blade Drive Gearbox (LH Rotation)	1	F013	3/8-16 Whiz Lock Nut		6
5	5706-4	Seal Protector Plate	3	F018	5/8-18 Hex Nut		2
6	6732-3	Connecting Shaft (6")	1	F029	1/4-20 x 1/2 Hex Bolt		4
7	P007	Gasket, Cap (Peerless #788030)	4	F038	3/8-16 x 1 Hex Bolt		1
8	5063	Gearbox Connector Tube (8-1/2)	1	F039	3/8-16 x 1-1/4 Hex Bolt		4
9	5162	Roller Wheel (5")	2	F056	5/8 Split Lock Washer		2
10	8490	Roller Wheel Axle Bolt	2	F065	3/16 x 3/4 Woodruff Key (#9)		1
11	5705-10	Blade, 21" (Lower Mulching)	2	F076	3/8-16 x 5/8 SQH Set Screw		1
12	5705-11	Blade, 22" (Upper Mulching)	2	F124	10-32 x 3/8 Taptite Machine Screw		9
	5705-12	Blade Set (42" Mulching Deck) (Includes Items # 11, 12, 13, F002 & F202)	**	F136	AN960C416L Washer		16
13	5706	Blade Hub & Trash Guard	2	F202	10-24 x 5/8 SHC Screw, GR5 SS		4
14	5747-1	Safety Tread (6 x 19)	1	F206	#2 x 3/16 Drive Pin		2
15	5701-1	42" Deck Housing, Mulching (Includes Items # 9, 10, 14 & F013)	1	F211	1/4-20 x 7/8 Hex Bolt		16
16	5775-2	Hitch Pin (#6)	4	F229	C-Clip (13/16)		4
17	NS	Deck Serial Number Plate	1	* Use of this Deck on GHS Tractors requires installation of P/N 5595-2 (Blower Intake Cover). Contact your Walker dealer.			
18	5051	Tee Gearbox	1	** Service Part Only			
19	5053-1	Blade Drive Gearbox (RH Rotation)	1	<b>NOTE:</b> Decals for this assembly are not shown here. Refer to Deck Decals & Walker Touch-Up Paint (Page 2) for Decal listing and placement information.			
20	6732-1	Connecting Shaft (2")	1				
21	5062	Gearbox Connector Tube (4-1/2)	1				

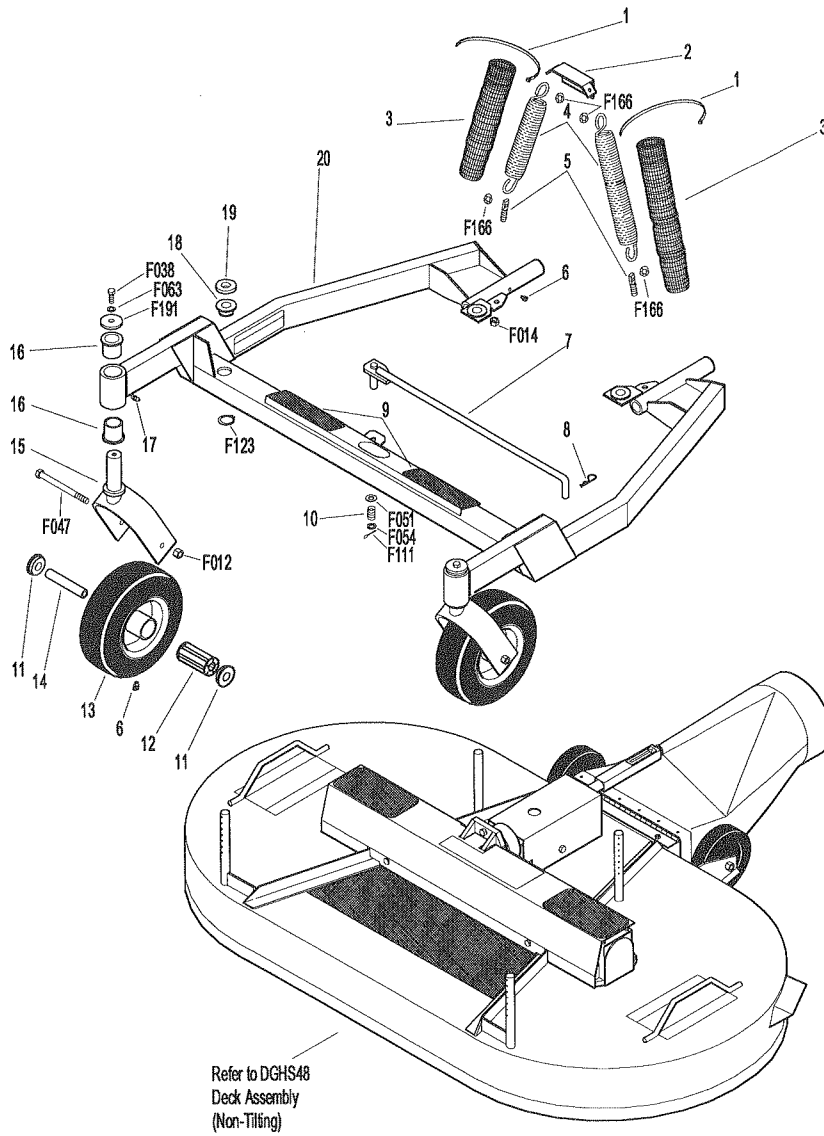
# DML42 DECK ASSEMBLY (NON-TILTING)



## 7700 48 INCH CARRIER FRAME ASSEMBLY (NON-TILTING)

ITEM NO.	PART NO.	DESCRIPTION	NO. REQ'D	ITEM NO.	PART NO.	DESCRIPTION	NO. REQ'D
<b>This section affects DGHS48 Decks prior to Serial Number D7-30436.</b>				17	5830	Grease Fitting	2
				18	5740-2	Deck Pin Bushing (5/8 ID)	4
				19	5727-1	Washer Shim (5/8 ID)	4
<b>7700 48 Inch Carrier Frame Assembly (Non-Tilting) (May Be Used On GHS Models MDD/MDG &amp; MT)</b>				20	7719	48" Carrier Frame (Includes Item # 9)	1
1	5975-3	Cable Tie (50# x 7")	4	<b>Fasteners</b>			
2	5744-1	Spring Clip Bracket	1				
3	5743-1	Spring Cover	2		F012	3/8-16 Keps Nut	2
4	5743-2	Extension Spring (1-1/2 x 7-3/4)	2		F014	3/8-16 ESNA Nut	2
5	5743-3	Eyebolt (3/8-16 x 2)	2		F038	3/8-16 x 1 Hex Bolt	2
6	5830-3	Grease Fitting (45 Degree)	4		F047	3/8-16 x 4-1/2 Hex Bolt	2
7	7786	Deck Lift Rod (48" Deck)	1		F051	3/8 SAE Washer	1
8	7666	Hitch Pin (#3)	1		F054	AN960616 Washer	1
9	5748	Safety Tread (2 x 6)	2		F063	3/8 Internal Star Lock Washer	2
10	5682	Compression Spring (9/16 x 3/4)	1		F111	1/8 x 3/4 Cotter Pin	1
11	5714-7	Bearing Cap	4		F123	1" External Snap Ring	4
12	5714-5	Bearing, Caster Wheel	2		F166	Retainer Ring	4
13	5715-4	Pneumatic Caster Wheel (8 x 3.00-4) (Includes Items # 6, 11 & 12)	2		F191	3/8 x 1-1/2 x 3/16 Washer	2
	5715-10	Tire Only, Pneumatic (8 x 3.00-4)	*	* Service Part Only			
	5715-9	Tube Only, Pneumatic (2.80/2.50-4)	*	** May be ordered as a factory-installed option or as a kit for dealer installation. Contact your Walker dealer.			
	5715-3	Semi-Pneumatic Caster Wheel (8.25 x 2.75)	**				
14	5714-3	Axle Spacer Tube	2	<b>NOTE:</b> Decals for this assembly are not shown here. Refer to Deck Decals & Walker Touch-Up Paint (Page 2) for Decal listing and placement information.			
15	5770-2	Caster Wheel Fork	2				
16	5683	Pivot Bearing	4				

# 7700 48 INCH CARRIER FRAME ASSEMBLY (NON-TILTING)

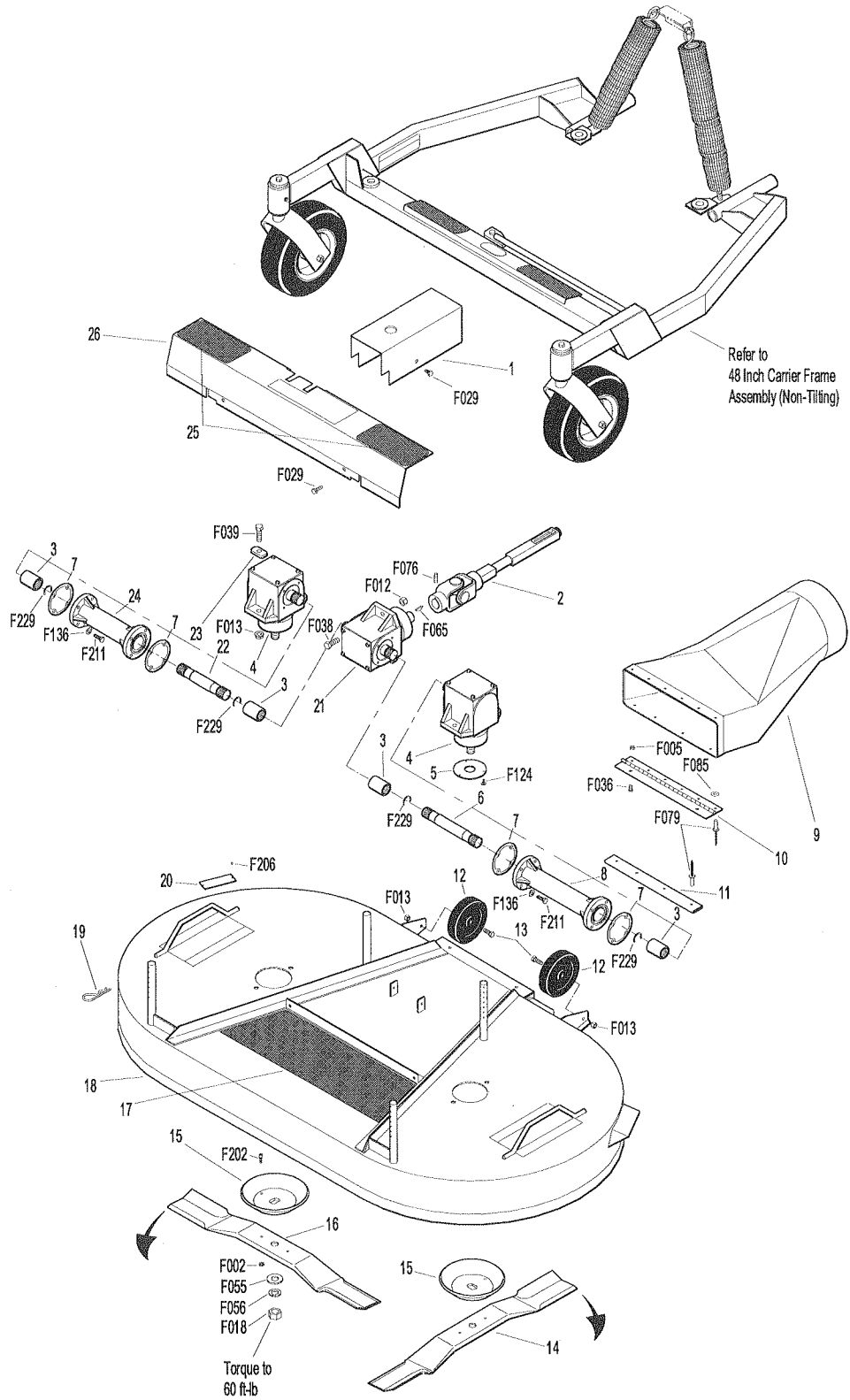


## DGHS48 DECK ASSEMBLY (NON-TILTING)

ITEM NO.	PART NO.	DESCRIPTION	NO. REQ'D	ITEM NO.	PART NO.	DESCRIPTION	NO. REQ'D
<b>This section affects DGHS48 Decks prior to Serial Number D7-30436.</b>				24	5061	Gearbox Connector Tube (6-1/2)	1
				25	5747-0	Safety Tread (3 x 6)	2
				26	7785	Gearbox Cover (48" Deck) (Includes Item # 25)	1
<b>DGHS48 Deck Assembly (Non-Tilting) (May Be Used On GHS Models MDD/MDG &amp; MT)</b>							
				<b>Fasteners</b>			
1	7745	PTO Shaft Guard	1				
2	7285	Universal Joint Shaft Assembly (Includes Item # F076)	1	F002	10-24 Keps Nut		4
3	6054	Spline Coupling	4	F005	1/4-20 ESNA Nut		2
4	5052-1	Blade Drive Gearbox (LH Rotation)	2	F012	3/8-16 Keps Nut		1
5	5706-4	Seal Protector Plate	3	F013	3/8-16 Whiz Lock Nut		6
6	6732-6	Connecting Shaft (7")	1	F018	5/8-18 Hex Nut		2
7	P007	Gasket, Cap (Peerless #788030)	4	F029	1/4-20 x 1/2 Hex Bolt		4
8	5066	Gearbox Connector Tube (9-1/2)	1	F036	1/4-20 x 1/2 SBH Screw		2
9	7798	Discharge Chute (3-1/2 x 11-1/2)	1	F038	3/8-16 x 1 Hex Bolt		1
	7794	Discharge Chute Assembly (Includes Items # 9, 10, 11, F079 & F085)	*	F039	3/8-16 x 1-1/4 Hex Bolt		4
10	7726	Chute Hinge (2 x 11)	1	F055	5/8 SAE Washer		2
11	7755	Chute Lower Lip	1	F056	5/8 Split Lock Washer		2
12	5162	Roller Wheel (5")	2	F065	3/16 x 3/4 Woodruff Key (#9)		1
13	8490	Roller Wheel Axle Bolt	2	F076	3/8-16 x 5/8 SQH Set Screw		1
14	7705-1	Blade, 25" (RH Rotation)	1	F079	A/A66D Aluminum Pop Rivet		*
15	5706	Blade Hub & Trash Guard	2	F085	3/16 Rivet Backup Washer		*
16	7705-2	Blade, 25" (LH Rotation)	1	F124	10-32 x 3/8 Taptite Machine Screw		9
	7705-3	Blade Set (48" Deck) (Includes Items # 14, 15, 16, F002 & F202)	*	F136	AN960C416L Washer		16
17	5747-6	Safety Tread (6 x 18)	1	F202	10-24 x 5/8 SHC Screw, GR5 SS		4
18	7701	48" Deck Housing, GHS (Includes Items # 12, 13, 17 & F013)	1	F206	#2 x 3/16 Drive Pin		2
19	5775-2	Hitch Pin (#6)	4	F211	1/4-20 x 7/8 Hex Bolt		16
20	NS	Deck Serial Number Plate	1	F229	C-Clip (13/16)		4
21	7751	Tee Gearbox (1.2:1 Ratio)	1	* Service Part Only			
22	6732-2	Connecting Shaft (4")	1	<b>NOTE:</b> Decals for this assembly are not shown here. Refer to Deck Decals & Walker Touch-Up Paint (Page 2) for Decal listing and placement information.			
23	5052-3	1.375 x .750 x .187 Washer, Oblong	4				



# DGHS48 DECK ASSEMBLY (NON-TILTING)



# DECK WELDMENT REPLACEMENT PARTS

ITEM NO.	PART NO.	DESCRIPTION	LOCATION	NO. REQ'D
<b>NOTE:</b> All parts listed in this section are for Weld-On Repair; Cutting, Grinding, and Welding are required to replace these parts.				
<b>DSD52 &amp; DSD62 Weldments</b>				
1	8733-3	Rim Rod, RH Rear (20-3/4)	DSD52	1
	8751-2	Rim Rod, RH Rear (28")	DSD62	1
2	8760-2	Rear Deck Pin (3/4 x 5-3/4)	DSD52 and DSD62	2
3	8733-2	Rim Rod, LH (39-1/2)	DSD52	1
	8751-1	Rim Rod, LH (47-1/2)	DSD62	1
4	8760-1	Front Deck Pin (3/4 x 7-5/8)	DSD52 and DSD62	2
5	8733-1	Rim Rod, Front (50")	DSD52	1
	8751	Rim Rod, Front (59")	DSD62	1

## DSD54 Weldments

6	6752-1	Deck Cap Strip, 54SD (Rear, 33-5/16)*	DSD54	1
7	5760-4	Rear Deck Pin (5/8 x 5-3/8)**	All Decks Except DSD52 & DSD62	2
	5760-2	Rear Deck Pin (1/2 x 5-3/8)***	All Decks Except DSD52 & DSD62	2
8	6752-3	Deck Cap Strip, 54SD (LH, 39")*	DSD54	1
	6705-7	Deck Cap Strip (LH, 32")♦	DSD54	1
9	5760-3	Front Deck Pin (5/8 x 5-3/4)**	All Decks Except DSD52 & DSD62	2
	5760-1	Front Deck Pin (1/2 x 5-3/4)***	All Decks Except DSD52 & DSD62	2
10	6752-2	Deck Cap Strip, 54SD (Front, 42")*	DSD54	2

## DGHS Weldments

7	5760-4	Rear Deck Pin (5/8 x 5-3/8)**	All Decks Except DSD52 & DSD62	2
	5760-2	Rear Deck Pin (1/2 x 5-3/8)***	All Decks Except DSD52 & DSD62	2
9	5760-3	Front Deck Pin (5/8 x 5-3/4)**	All Decks Except DSD52 & DSD62	2
	5760-1	Front Deck Pin (1/2 x 5-3/4)***	All Decks Except DSD52 & DSD62	2
11	5751-3	Deck Cap Strip, 36" GHS (LH)	DGHS36	1
	5751-1	Deck Cap Strip, 42" GHS (LH)	DGHS42 (Tilt-Up and Non-Tilting)	1
	7701-10	Edge Stiffener, 42", Side♦♦	DGHS48 (Tilt-Up and Non-Tilting)	2
	7751-1	Deck Cap Strip, 49" (LH)♦♦♦	DGHS48 (Tilt-Up and Non-Tilting)	1
	7751-3	Deck Cap Strip, 6-3/8 (LH)♦♦♦	DGHS48 (Tilt-Up and Non-Tilting)	1
12	7701-11	Edge Stiffener, 21-7/8, Front♦♦	DGHS48 (Tilt-Up and Non-Tilting)	1
13	5751-4	Deck Cap Strip, 36" GHS (RH)	DGHS36	1
	5751-2	Deck Cap Strip, 42" GHS (RH)	DGHS42 (Tilt-Up and Non-Tilting)	1
	7751-2	Deck Cap Strip, 49" (RH)♦♦♦	DGHS48 (Tilt-Up and Non-Tilting)	1
	7751-4	Deck Cap Strip, 6-3/8 (RH)♦♦♦	DGHS48 (Tilt-Up and Non-Tilting)	1

## DSD & DML Weldments

7	5760-4	Rear Deck Pin (5/8 x 5-3/8)**	All Decks Except DSD52 & DSD62	2
	5760-2	Rear Deck Pin (1/2 x 5-3/8)***	All Decks Except DSD52 & DSD62	2
9	5760-3	Front Deck Pin (5/8 x 5-3/4)**	All Decks Except DSD52 & DSD62	2
	5760-1	Front Deck Pin (1/2 x 5-3/4)***	All Decks Except DSD52 & DSD62	2
14	5702-6	Deck Cap Strip, 47"	DSD36	1
	5751-5	Deck Cap Strip, 42" SD (LH, 47")	DSD42 (Tilt-Up and Non-Tilting)	1
	5793-14	Rolled Edge DML42 (37-3/8)	DML42 (Tilt-Up and Non-Tilting)	2
	5793-15	Straight Edge DML42 (18-9/16)	DML 42 (Tilt-Up and Non-Tilting)	2
15	5751-6	Deck Cap Strip, 42" SD (Front, 3-9/16)	DSD42 (Tilt-Up and Non-Tilting)	1

\* Used only on models manufactured in 1992 and later.

\*\* Used only on models manufactured in 1987 and later.

\*\*\* Used only on models manufactured 1980-1986.

♦ Used only on models manufactured 1987-1992.

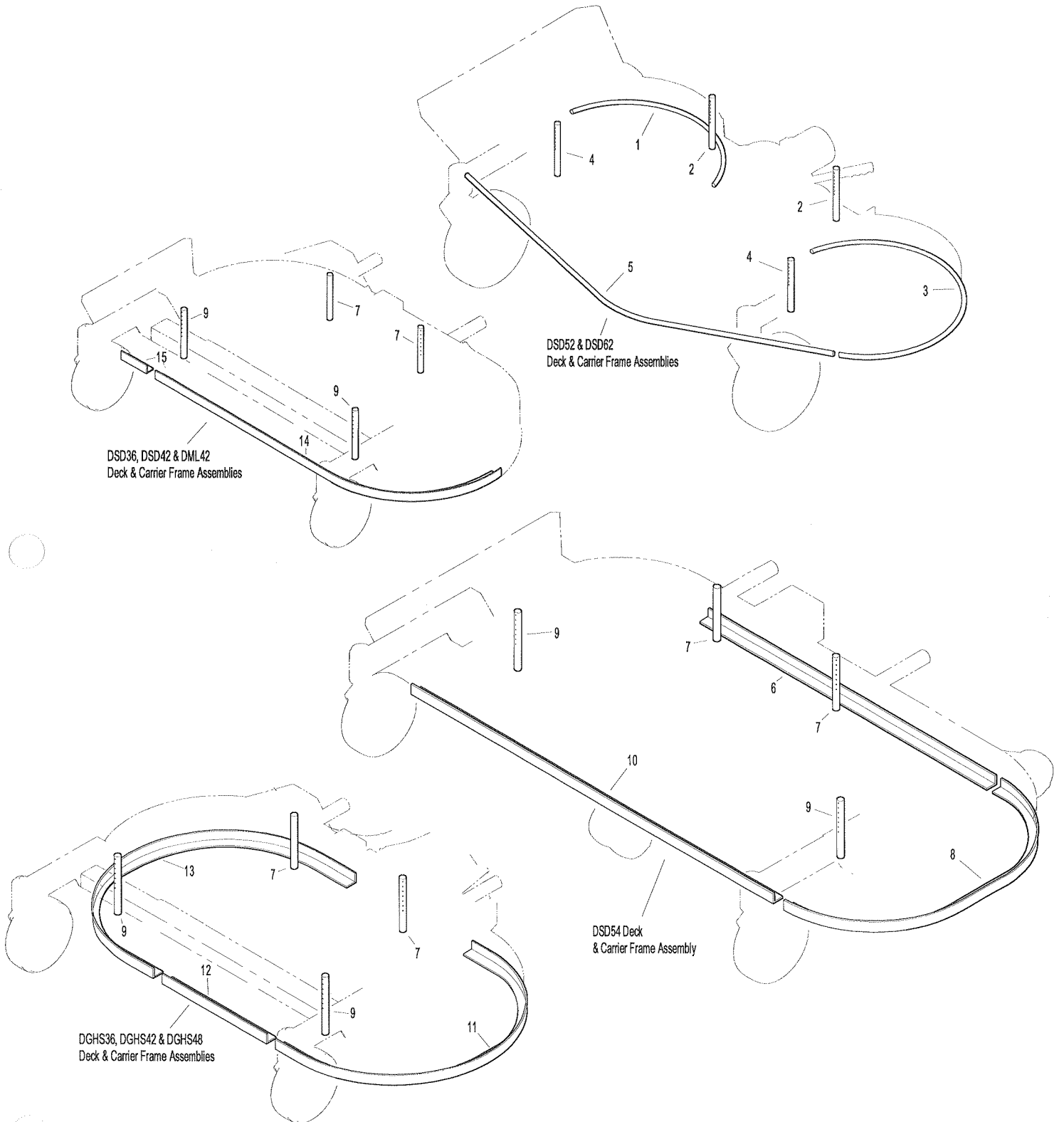
♦♦ Used only on models with Serial Number D7-26482 and later.

♦♦♦ Used only on models prior to Serial Number D7-26482.

Use only genuine **Walker** replacement parts.

Effective Date 07-31-97

# DECK WELDMENT REPLACEMENT PARTS



Effective Date 07-31-97

Use only genuine **Walker** replacement parts.

# LUBRICATION POINTS

ITEM NO.	LOCATION	LUBRICATION TYPE	NO. PLACES	ITEM NO.	LOCATION	LUBRICATION TYPE	NO. PLACES
----------	----------	------------------	------------	----------	----------	------------------	------------

## Tilt-Up Assemblies

1	Deck Caster Wheel Fork Pivot	Grease	2
2	Blade Drive Gearbox	Oil*	2
3	Tee Gearbox, Deck	Oil*	1
4	Deck Caster Wheel Bearing	Grease	2
5	PTO Shaft Guard Hinge	Oil	1
6	Universal Joint Shaft Assembly	Grease**	1
7	Pivot Assembly, Tilt-Up Deck	Grease	4
8	Deck Support Arm Socket	Grease	2
9	Deck Roller Wheel	Oil	2
10	Discharge Chute Hinge (Used only on GHS Deck Assemblies)	Oil	1
11	Discharge Shield Hinge (Not Shown, Used only on SD Deck Assemblies)	Oil	2

## Non-Tilting Assemblies

1	Deck Caster Wheel Fork Pivot	Grease	2
2	Blade Drive Gearbox	Oil*	2
3	Tee Gearbox, Deck	Oil*	1
4	Deck Caster Wheel Bearing	Grease	2
6	Universal Joint Shaft Assembly	Grease**	1
8	Deck Support Arm Socket	Grease	2
9	Deck Roller Wheel (Not Shown, Used on 36", 42" and 48" Assemblies)	Oil	2
10	Discharge Chute Hinge (Not Shown, Used only on GHS Deck Assemblies)	Oil	1
11	Discharge Shield Hinge (Used only on SD Deck Assemblies)	Oil	2
12	Anti-Scalp Roller (Used on 52", 54" and 62" Decks)	Oil	3

## 52 Inch & 62 Inch Assemblies

4	Deck Caster Wheel Bearing	Grease	2
6	Universal Joint Shaft Assembly	Grease**	1
8	Deck Support Arm Socket	Grease	2
11	Discharge Shield Hinge (Used only on SD Deck Assemblies)	Oil	2
12	Anti-Scalp Roller (Used on 52", 54" and 62" Decks)	Oil	3
13	Blade Spindle	Grease	3
14	Right Angle Gearbox	Oil***	1
15	Dolly Wheel Retract Lever and Linkage	Oil	3
16	Dolly Wheel Pivot	Grease	1

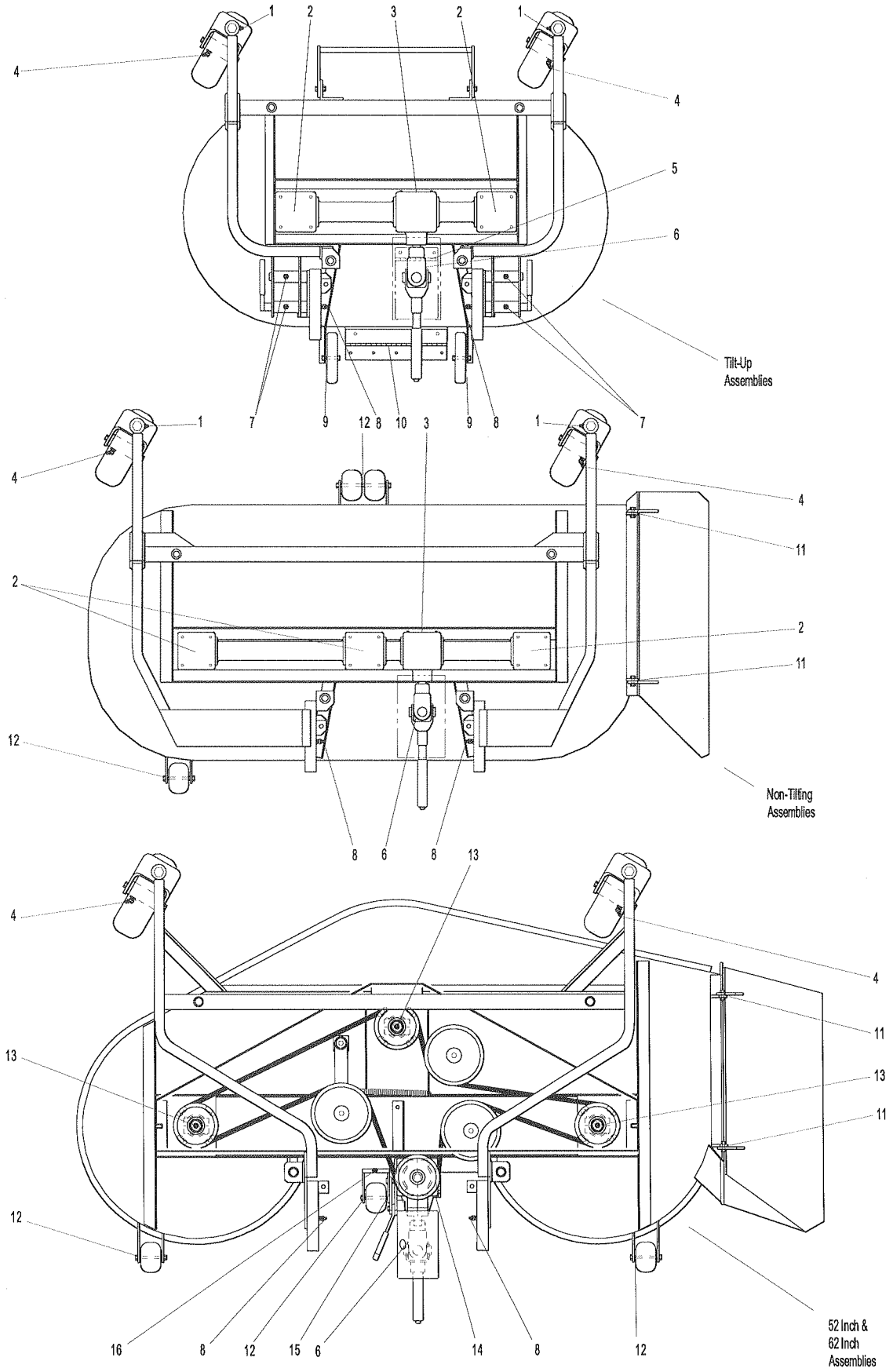
\* Gearboxes are permanently lubricated and sealed requiring no scheduled lubrication. Oil level should be checked only when an oil leak is noted.

\*\* Grease every eight (8) hours.

\*\*\* Check oil level every 100 hours. Refer to either MD or MT Owner's Manual for Lubrication Instructions.

**NOTE:** Exact location of some Lubrication Points may vary slightly from those shown in the illustration. Decks shown in the illustration are for reference only; for further information on location of parts not shown here, refer to the parts listings for individual Carrier Frames and Deck Assemblies.

# LUBRICATION POINTS



Effective Date 07-31-97

Use only genuine **Walker** replacement parts.

# OPERATOR'S NOTES

Use only genuine **Walker** replacement parts.

Effective Date 07-31-97

# LIMITED WARRANTY FOR WALKER COMMERCIAL RIDER MOWER

## 1. WHAT THIS WARRANTY COVERS, AND FOR HOW LONG:

Walker Manufacturing company will, at its option, repair or replace, without charge, any part covered by this warranty which is found to be defective in material and/or workmanship within one (1) year\* after date of sale to the original retail purchaser unless the product is used for rental purposes, in which case this warranty is limited to ninety (90) days. At Walker's request, customer will make the defective part available for inspection by Walker and/or return the defective part to Walker, transportation charges prepaid. All parts and components of the Walker Mower are covered by this warranty **except** the following components which are warranted separately by their respective manufacturers:

Kohler Engine  
Kubota Engine  
Kawasaki Engine  
Eaton Hydraulic Transmission  
Peerless Gearboxes  
Battery  
Tires

The available warranties covering these items are furnished with each mower. Walker does not assume any warranty obligation, liability or modification for these items, which are covered exclusively by the stated warranty of the respective manufacturers noted above.

\* An extended three (3) year warranty is offered on the Walker P/N 6200 Gear Axle Assembly.

## 2. WHAT THIS WARRANTY DOES NOT COVER:

- A. This warranty does not cover defects caused by depreciation or damage caused by normal wear, accidents, improper maintenance, improper use or abuse of the product, alterations, or failure to follow the instructions contained in the Owner's Manual for operation and maintenance.
- B. The customer shall pay any charges for making service calls and/or for transporting the mower to and from the place where the inspection and/or warranty work is performed.

## 3. HOW TO OBTAIN SERVICE UNDER THIS WARRANTY:

Warranty service can be arranged by contacting the dealer where you purchased the mower or by contacting Walker Manufacturing Company, 5925 East Harmony Road, Ft. Collins, CO 80528. Proof of the date of purchase may be required to verify warranty coverage.

## 4. WARRANTY LIMITATION:

- A. **THERE IS NO OTHER EXPRESS WARRANTY. ANY WARRANTY THAT MAY BE IMPLIED FROM THIS PURCHASE INCLUDING MERCHANTABILITY AND FITNESS FOR A PARTICULAR PURPOSE IS HEREBY LIMITED TO THE DURATION OF THIS WARRANTY AND TO THE EXTENT PERMITTED BY LAW ANY AND ALL IMPLIED WARRANTIES ARE EXCLUDED.** Some states do not allow limitations on how long an implied warranty lasts, so the above limitations may not apply to you.
- B. **WALKER WILL NOT BE LIABLE FOR ANY INCIDENTAL, CONSEQUENTIAL, OR SPECIAL DAMAGES AND/OR EXPENSES IN CONNECTION WITH THE PURCHASE OR USE OF THE MOWER.** Some states do not allow the exclusion or limitation of incidental or consequential damages, so the above limitation(s) or exclusion(s) may not apply to you.
- C. Only the warranty expressed in this limited warranty shall apply and no dealer, distributor, or individual is authorized to amend, modify, or extend this warranty in any way. Accordingly, additional statements such as dealer advertising or presentations, whether oral or written, do not constitute warranties by Walker, and should not be relied upon.
- D. This warranty gives you specific legal rights, and you may also have other rights which vary from state to state.

# WALKER MOWERS™

WALKER MFG. CO. • 5925 E. HARMONY ROAD, FORT COLLINS, CO 80528 • (970) 221-5614  
FORM NO. 031398 PRINTED IN USA ©1998 WALKER MFG. CO



## Free Manuals Download Website

<http://myh66.com>

<http://usermanuals.us>

<http://www.somanuals.com>

<http://www.4manuals.cc>

<http://www.manual-lib.com>

<http://www.404manual.com>

<http://www.luxmanual.com>

<http://aubethermostatmanual.com>

Golf course search by state

<http://golfingnear.com>

Email search by domain

<http://emailbydomain.com>

Auto manuals search

<http://auto.somanuals.com>

TV manuals search

<http://tv.somanuals.com>