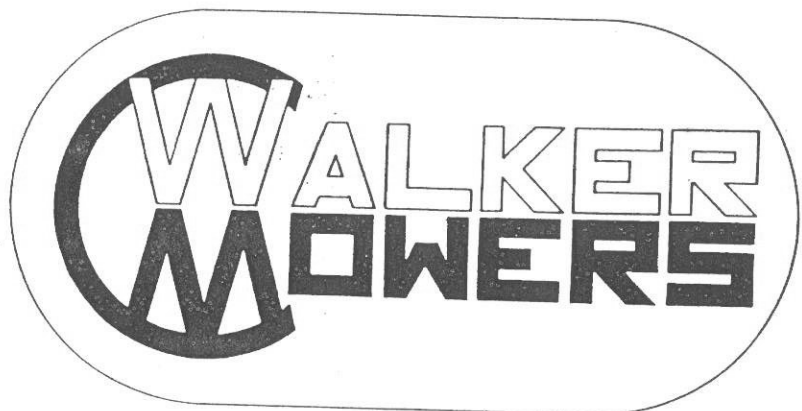


PARTS MANUAL

WALKER MODEL M36-42 RIDING LAWN MOWER

1984



INTERIM*

ILLUSTRATED PARTS BREAKDOWN LIST

<u>Ref. Figure</u>	<u>Section Mower Covered</u>
B1	Body Assembly
C1	Chassis Assembly (Front View)
C2	Chassis Assembly (Rear View)
D1	36" GHS Deck Assembly
D2	36" SD Deck Assembly
D3	42" SD Deck Assembly
D4	42" GHS Deck Assembly
E1	Wiring Diagram (Briggs)
E2	Wiring Diagram (Honda)
G1	GHS Blower
G2	GHS 3.2 Bushel Catcher
G3	GHS 6.7 Bushel Catcher

*This parts list is "Interim" since final parts illustrations are not complete. We are using current 1984 parts lists and temporary parts sketches to provide Walker Mower owners with something to refer to. The parts lists are updated for the 1984 production configuration.

BODY PARTS LIST (FIGURE B1)

Item No.	Part No.	Description	No. Req'd
1	5100	Welded Body Assembly	1
2	5103	Seat	1
3	5112	Rear Bumper Assembly*	1
4	5110	Quadrastat Control	1
5	5108	Throttle Control and Cable (B & S)	1
	5113	Throttle Control and Cable (Honda)	1
6	5109	Choke Control and Cable (B & S)	1
	5114	Choke control and Cable (Honda)	1
7	5220	Control Cable Assembly	1
8	5223	Extension Spring (1/4 x 5-1/2)	2
9	5138	Upper Support Link (Body Lift)	1
10	5139	Lower Support Link (Body Lift)	1
11	5939	Safety Switch (Black)	1
12	5137	Baffle Seal Flap	1
13	5135	Elevator Bolt (5/16-18 x 1-1/2)	2
14	5136	Rubber Support Cover	2
15	5149	Exhaust Screen	1
16	5802-2	LH Fender Decal	1
17	5802-1	RH Fender Decal	1
18	5806	Blade Clutch Decal	1
19	5805	Exhaust Caution Decal	1
20	5815	Body Lift Decal	1
21	5180	Edge Molding, Lever Opening	2
22	5182	Edge Molding, Gas Fill Opening	1
23	5960	Ignition Switch (Inc. Hardware)	1
24	5960-2	Ignition Key (Included with Switch)	0
25	5952	Start Circuit Lead Wire	1
26	5832	1/2" Cable Clamp	2
27	5150	Ball Joint	1
28	5151	FSC Actuator Arm	1
29	5152	FSC Lever Arm Assembly	1
30	5862	FSC Knob	1
31	5870	Tee Control Knob	2
32	5955	Seat Switch	1
33	5153	Cover Plate**	1
34	5160	Anti-Skuff Roller	2
35	5161	Bumper Pad***	2
36	5990	Hour Meter Kit (Optional)	1
37	5863	Panel Plug (2-1/16")	1
--	5866	Yellow Touch Up Paint (12 oz Aerosol)	0
F1	----	10-32 Hex Nut	2
F2	----	10-24 Keps Nut	10
F4	----	1/4-20 Keps Nut	6
F5	----	1/4-20 Elastic Stop Nut	5
F9	----	5/16-18 Whiz Lock Nut	8
F14	----	3/8-16 Elastic Stop Nut	4
F17	----	7/16-20 Panel Nut	1
F25	----	10-24 x 3/8 Machine Screw	10
F30	----	1/4-20 x 1/2 Hex Bolt	6
F32	----	1/4-20 x 3/4 Hex Bolt	3
F33	----	1/4-20 x 1 Truss Head Screw	2
F34	----	5/16-18 x 3/4 Hex Bolt	8
F40	----	3/8-16 x 1-1/2 Hex Bolt	2
F51	----	3/8 SAE Washer	2
F58	----	1/4 Wavey Spring Washer	3
F59	----	3/8 Wavey Spring Washer	2
F60	----	5/16 AN Washer	4
F81	----	A/A45D Aluminum Pop Rivet	3
F82	----	1/8 Rivet Backup Washer	3

* Not Used on GHS6.7 Model

** Side Discharge Model Only

*** GHS3.7 Model Only

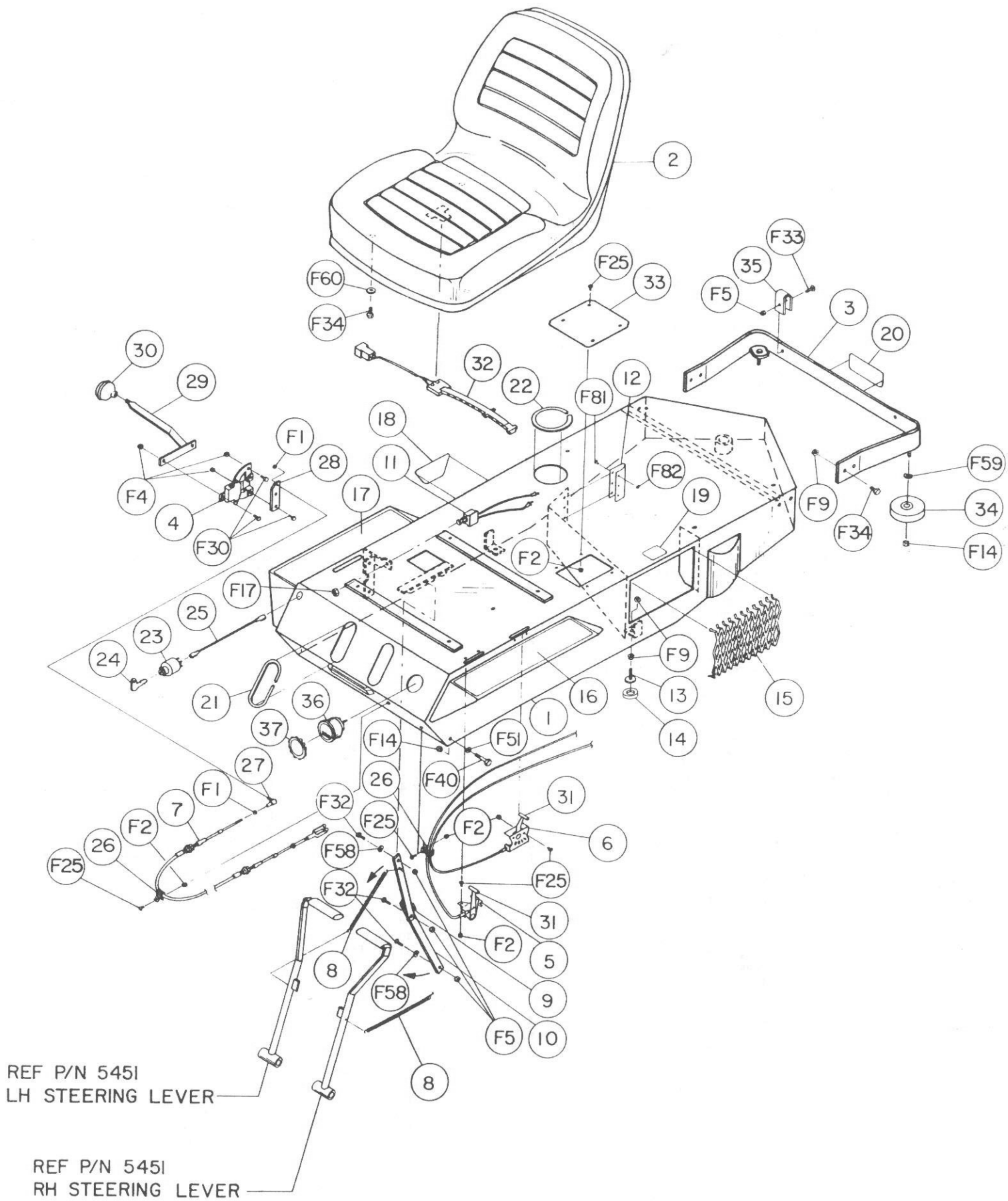


FIGURE B1 — BODY ASSEMBLY

CHASSIS ASSEMBLY PARTS LIST (FIGURE C1)

ITEM NO.	PART NO.	DESCRIPTION	NO. REQ'D	ITEM NO.	PART NO.	DESCRIPTION	NO. REQ'D
1	5300-3	Chassis Frame (1984 and On)	1	72	5247	V-Groove Idler	1
2	5040	10-HP Engine (Honda G400)	1	73	5237	Engine Pulley (B4)	1
	5010	11-HP Engine (B & S 252417)	0	74	5230-2	Engine Belt (#6932 or B30)	1
3	5041	Air Filter (Honda)	1	75	5234-1	SD PTO Belt (#6935 or B32)	1
	5011	Air Filter (B & S)	0		5234-2	GHS PTO Belt (#6944 or B41)	1
4	5042	Foam Prefilter (Honda)	1	76	5232	Ground Drive Belt (#6847 or AX45)	1
	5012	Foam Prefilter (B & S)	0	77	5290	Belt Tightener Arm (Trans)	1
5	5043	Muffler (Honda)	1	78	5849	Rubber Bumper	1
	5013	Muffler (B & S)	0	79	----	Choke Control (Ref. Body Parts)	0
6	5014	Fuel Pump	1	80	----	Throttle Control (Ref. Body Parts)	0
7	5025	Hydrostatic Drive (RH, CCW)	1	81	5027	Lockout Mount	2
8	5026	Hydrostatic Drive (LH, CW)	1	82	5028	Lockout Lever	2
9	5023	Transmission Reservoir	1		5028-3	Lockout Assm (Inc. Lock Bar & Mt.)	2
10	5024	Reservoir Cap & Gasket	2	83	5851	Plastic Lever Grip	2
	5022	Reservoir to Casting Gasket	2	84	5029	Lock Bar	2
11	5810	Reservoir Decal	2	85	5852	Lock Bar Tip	2
12	5033	Wheel & Tire Assembly (Main)	2		5854	Plastic Tip, Oil Dip Stick (B & S)	0
13	5031	Wheel Only (8 Inch)	2		5830	Grease Fitting	4
	5030-2	Main Tire Only (18 x 6.50-8)	2		5341	Engine Brace (Honda)	1
14	5035	Wheel & Tire Assembly (Tail)	1		5340	Engine Brace (B & S)	0
15	5036	Tail Wheel & Hub Assembly	1		5811	Engine Heat Baffle (B & S)	0
	5035-1	Tail Wheel Tire Only (13 x 6.50-6)	1		5812	Baffle Seal (B & S)	0
16	5037	Bearing, Tail Wheel	2		5015-5	Fuel Line, Carb. (3/16 x 11-1/2, Hd)	1
17	5032	Wheel Hub (Welded to Axle)	2		5015-1	Fuel Line, Carb. (1/4 x 24, B & S)	0
18	5050	Right Angle Gearbox	1	86	5015-6	Fuel Line, Pump In (3/16 x 3, Honda)	1
19	5420-2	Tail Wheel Fork (1983 and On)	1		5015-2	Fuel Line, Pump In (1/4 x 4, B & S)	0
	5201	Axle, Wheel Hub and Mount Assembly (Wheel Hub Welded to Axle)	2		5015-7	Vacuum Line (1/4 x 10, Honda)	1
					5015-3	Vacuum Line (1/4 x 24, B & S)	0
20	5209	Axle Mount Assembly	2	87	5879	Fuel Line Clamp	6
21	5430	Deck Support Arm	2	88	----	Obsolete	0
22	5216	Jackshaft Support	2	89	----	Obsolete	0
23	5204	Axle Assembly	2	90	----	Obsolete	0
23	5208	Sprocket (Final Drive, Demountable)	2	91	----	Obsolete	0
	5218	Hub Bolt, 5/16-18 x 3/4	10		5021	Fuel Hose Fitting	2
24	5450	Steering Lever RH	1		5016	Exhaust Pipe Assembly (Honda)	1
25	5451	Steering Lever LH	1		5828	Screen Guard Assembly (Honda)	1
26	5460	Steering Lever Actuator	2		5829	Screen Guard, Lower (Honda)	1
27	5470	Speed Control Stop	1		5044	Oil Filler Assembly (Honda)	1
28	5480-2	Belt Guide	1		5837	Clamp, 5/8"	1
29	5485	Belt Tightener Arm (Engine)	1		5038	Axle Spacer Tube	1
30	5490-2	Belt Tightener Mount (Honda)	1	117	5853	Plastic Tip, Battery Bolt	2
	5490-1	Belt Tightener Mount (B & S)	0		5816	Battery Charge Decal	1
31	5260	Final Drive Chain (#420 x 59)	2				
32	5261	Reduction Chain (#420 x 35)	2	F1	F1	10-32 Hex Nut	1
33	5235	Reduction Sprocket Assembly	2	F2	F2	10-24 Keps Nut	9
34	5233	Transmission Sprocket (41-10T)	2	F4	F4	1/4-20 Keps Nut	2
35	5265	Bearing (3/4 Inch)	4	F6	F6	5/16-24 Hex Nut	3
36	5270	Bearing (1 Inch)	6	F8	F8	5/16-24 Keps Nut	4
37	5266-2	Bearing Collar (1 Inch)	1	F9	F9	5/16-18 Whiz-Lock Nut	14
38-1	5820-1	Chain Guard RH	1	F10	F10	5/16-24 Elastic Stop Nut	2
38-2	5820-2	Chain Guard LH	1	F12	F12	3/8-16 Keps Nut	10
39	5821	Chain Guard Decal	2	F13	F13	3/8-16 Whiz-Lock Nut	16
40	5832	Cable Clamp, 1/2"	8	F14	F14	3/8-16 Elastic Stop Nut	2
41	5833	Cable Clamp, 1/4"	1	F15	F15	1/2" Wheel Lug Nut	8
42	5840-2	Support Arm Bushing	2	F16	F16	1/2-13 Self Locking Nut	1
43	----	Obsolete	0	F19	F19	1/4-20 Elastic Stop Wing Nut	2
44	----	Obsolete	0	F26	F26	10-24 x 1/2 Machine Screw	8
45	5212	Transmission Control Arm	2	F28	F28	10-24 x 3/4 Machine Screw	1
46	5213-1	Control Rod RH (15")	1	F32	F32	1/4-20 x 3/4 Hex Bolt	2
47	5213-2	Control Rod LH (6")	1	F35	F35	5/16-18 x 1-1/4 Hex Bolt	1
48	5214	Ball Joint	4	F37	F37	3/8-16 x 3/4 Hex Bolt	2
49	5850	Handle Grip	2	F38	F38	3/8-16 x 1 Hex Bolt	6
50	5217	Pivot Pin, Steering Lever	1	F39	F39	3/8-16 x 1-1/4 Hex Bolt	12
51	5220	Control Cable Assembly	1	F40	F40	3/8-16 x 1-1/2 Hex Bolt	3
52	5207-2	Tail Wheel Axle (1983 and On)	1	F41	F41	3/8-16 x 1-3/4 Hex Bolt	4
53	5221	Extension Spring, Trans (3/4")	2	F43	F43	3/8-16 x 3 Hex Bolt	8
	5224	Extension Spring, Engine (3/4")	1	F44	F44	5/16-24 x 3/4 Hex Bolt	3
54	5227	Extension Spring (1/2" x 4")	1	---	F48	1/2 SAE Washer	2
55	5280	1/4" Clevis	1	---	F49	5/16 SAE Washer	10
56	5281	Clevis Pin	1	F51	F51	3/8 SAE Washer	15
57	5282	Thread Extension	1	F53	F53	3/8 Internal Star Lock Washer	2
58	----	Obsolete	0	F54	F54	AN960616 Washer	6
	5876	Fuel Pump Mount (Honda)	1	F61	---	Obsolete	0
	5875	Fuel Pump Mount (B & S)	0	F62	---	Obsolete	0
59	5825	Screen Guard (B & S)	0	F63	---	Obsolete	0
60	5826	Upper Screen Clamp (B & S)	0	F64	F64	1/8 x 1/2 Woodruff Key	6
61	5827	Lower Screen Clamp (B & S)	0	F65	F65	3/16 x 3/4 Woodruff Key	2
62	5835	Hook Bolt	2	F66	F66	1/4 x 1/4 x 7/8 Key	1
63	5836-2	Battery Clamp	1	F68	F68	1/8 x 1 Cotter Pin	1
64	5920	Battery (12V)	1	F69	F69	1/16 x 1 Cotter Pin	1
65	5927	Positive Battery Cable (Honda)	1	F70	F70	1-3/4 Internal Snap Ring	4
	5925	Positive Battery Cable (B & S)	0	F71	F71	3/4 External Snap Ring	2
	5930	Bat. Terminal Insulator, Red	1	F72	F72	1/4 "E" Ring	4
66	5928	Negative Battery Cable (Honda)	1	F73	F73	1/4-28 x 3/8 Set Screw	4
	5926	Negative Battery Cable (B & S)	0	F74	F74	1/4-20 x 1/4 Set Screw	4
	5931	Bat. Terminal Insulator, Black	1	F75	F75	5/16-18 x 1/2 Square Head Set Screw	4
67	5242	Transmission Pulley	2	---	F78	A/A64D Aluminum Pop Rivet	7
68	5240-2	Compound Pulley (1983 and On)	1				
69	5236	Transmission Drive Pulley (3")	1				
70	5245	Idler Pulley (3")	1				

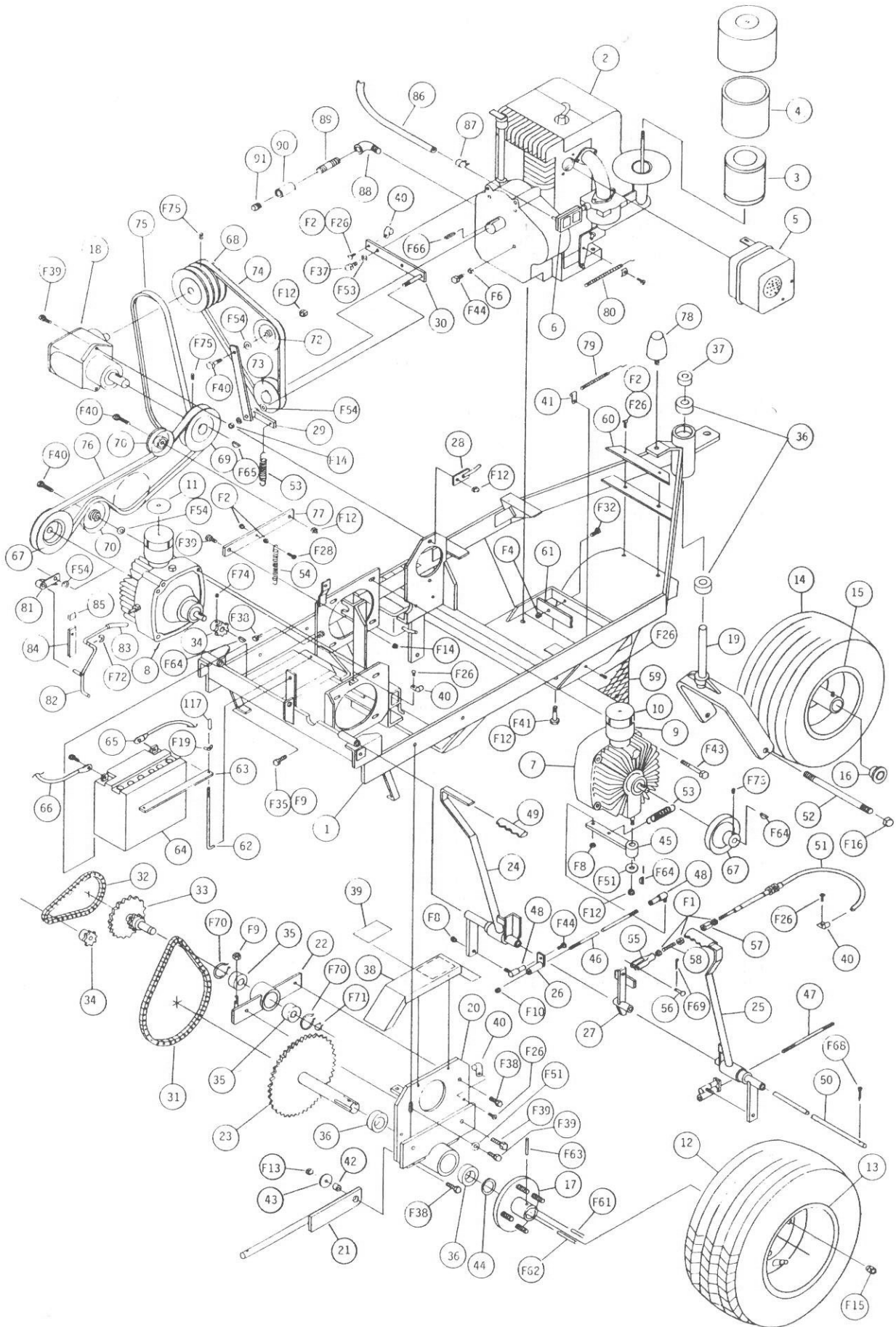


FIGURE C1 — CHASSIS ASSEMBLY (FRONT VIEW)

CHASSIS ASSEMBLY PARTS LIST (FIGURE C2)

Item No.	Part No.	Description	No. Req'd
1	5300-3	Chassis Frame	1
40	5832	1/2" Cable Clamp	1
54	5222	Extension Spring (1/2" x 3-1/4")	2
56	5281	Clevis Pin	1
70	5245	Idler Pulley (3")	1
	5830	Grease Fitting	2
87	5879	Fuel Line Clamp	2
92	5238	PTO Drive Pulley (B4-1/2)	1
93	5263	Pillowblock Bearing	1
94	5264	Pillowblock Bearing, Short Mount	1
95	5274	PTO Drive Shaft	1
96	5275	Universal Joint Tube Assembly	1
97	5276	Yoke (3/4" Bore)	1
98	5277	Yoke with Tube	1
99	5278	Journal and Bearing Kit	1
100	5410	Clutch Control Assembly	1
101	5405	Clevis and Stop Assembly	1
102	5860	Knob, PTO Clutch	1
103	5225	Clutch Actuator Rod	1
104	5226	Compression Spring	1
105	5938	Safety Switch (Red)	1
106	5939	Safety Switch (Black)	1
107	5929	Starter Solenoid (B & S)	1
108	5970	Wire Harness Assembly (Honda)	1
	5950	Wire Harness Assembly (B & S)	1
109	5951-1	Solenoid Lead Wire (B & S)	0
	5951-2	Solenoid Lead Wire (Honda)	1
110	5045	Fuel Tank (Honda, 6 Quart)	1
	5017	Fuel Tank (B & S, 6 Quart)	0
111	5017-1	Fuel Tank Cap (B & S)	0
112	5018	Tank Mount Strap (B & S)	0
113	5019	Fuel Shut-Off Valve (B & S)	0
114	5020	Fuel Filter	1
115	5021	Fuel Hose Fitting	1
116	5015-8	Fuel Line, Tank (3/16 x 10", Honda)	1
	5015-4	Fuel Line, Tank (1/4 x 10" , B & S)	0
F3	F3	1/4-28 Hex Nut	1
F4	F4	1/4-20 Keps Nut	2
F12	F12	3/8-16 Keps Nut	5
F17	F17	7/16-20 Panel Nut	2
F27	F27	10-24 x 5/8 Machine Screw	1
F29	F29	1/4-20 x 1/2 Hex Bolt	2
F38	F38	3/8-16 x 1 Hex Bolt	2
F40	F40	3/8-16 x 1-1/2 Hex Bolt	2
F50	F50	1/4 SAE Washer	1
F51	F51	3/8 SAE Washer	4
F67	F67	3/16 x 3/16 x 1 Key	2
F69	F69	1/16 x 1 Cotter Pin	1
F75	F75	5/16-18 x 1/2 Square Head Set Screw	2
F76	F76	3/8-16 x 3/8 Set Screw	1

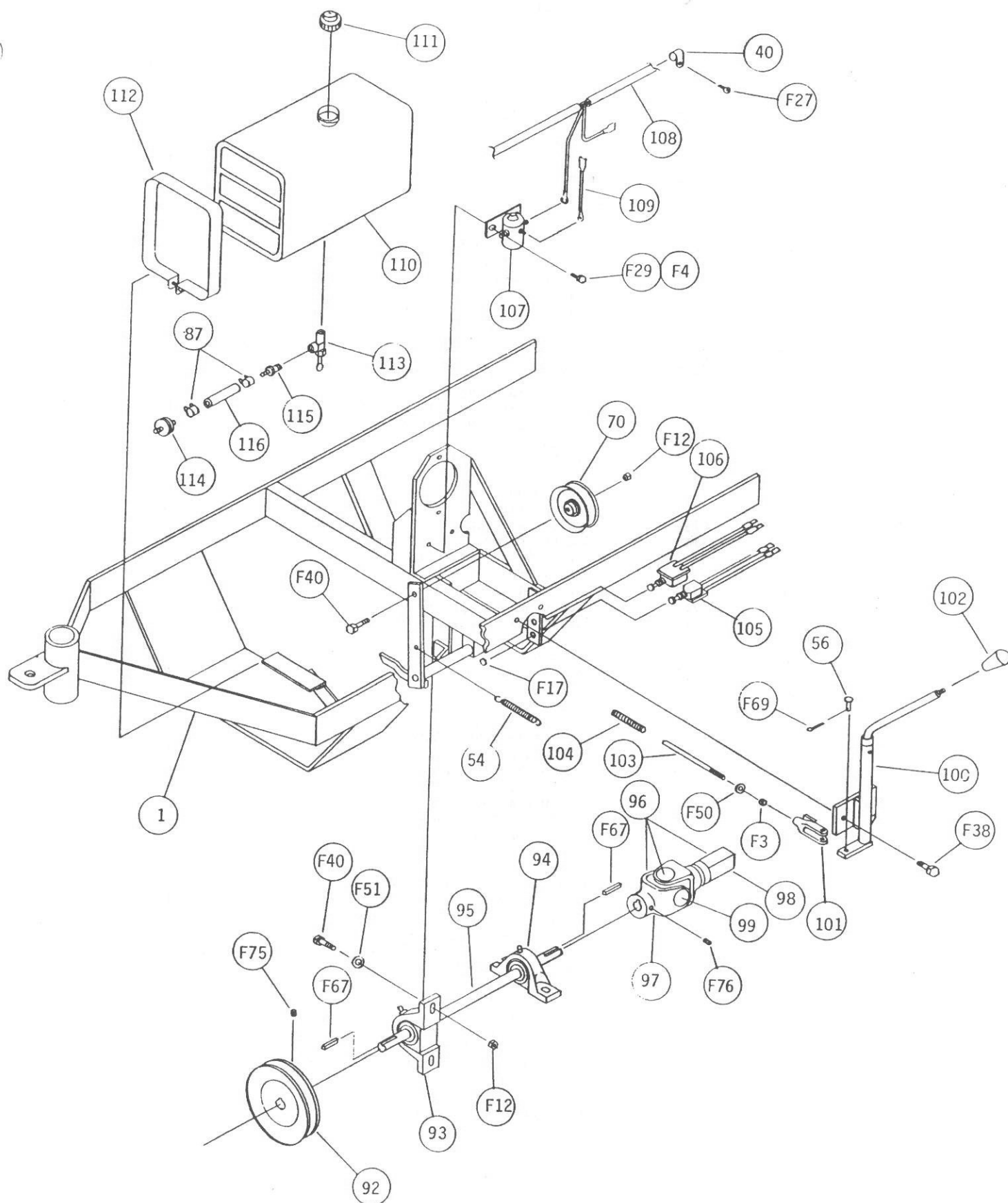


FIGURE C2 — CHASSIS ASSEMBLY (REAR VIEW)

36GHS DECK PARTS LIST (FIG D1)

Item No.	Part No.	Description	No. Req'd
1	5701	36" Deck Housing	1
2	5708	36" Deck Carrier Frame	1
3	5770	Caster Wheel Fork Assm	2
4	5705-1	LH Blade (20")	1
5	5705-2	RH Blade (20")	1
6	5706	Blade Hub	2
7	5707	Trash Guard	2
8	5051	Tee Gearbox	1
9	5052	Blade Drive Gearbox (LH Rotation)	2
10	5735	U-Bolt (1/4-20 Thread)	1
11	5732-2	Connecting Shaft	1
12	5054	Spline Coupling	3
13	5055	Felt Disc	2
14	5285	Universal Joint Shaft Assm	1
14a	5286	Yoke (7/8" Bore)	1
14b	5287	Yoke with Square Shaft	1
14c	5278	Journal and Bearing Kit	1
15	5775	#10 Hitch Pin (5/32)	6
16	5808	Decal, Danger Rotating Blade	2
17	5807	Decal, Cutting Height Adjust	1
18	5809	Decal, Walker Mower Logo	1
19	5745	PTO Shaft Guard	1
20	5750	Discharge Chute Assm	1
21	5753	Discharge Chute (only)	1
22	5726	Chute Hinge	1
23	5754	Backup Plate	1
24	5755	Chute Lower Lip	1
25	5746	Gearbox Cover	1
26	5747	Safety Tread (3-1/4 x 6)	2
27	5748	Safety Tread (2 x 6)	2
28	5749	Deck Lift Rod	1
29	5743	Counterweight Spring	2
30	5744	Spring Clip Bracket	1
31	5834	5/16" Clamp	1
32	5267	Retainer Collar	2
33	5740	Deck Pin Bushing	4
34	5727	Washer Shim (1/4 Thick)	4
35	5830	Grease Fitting	4
36	5774	Thrust Bearing	2
37	5715	Deck Caster Wheel Assm	2
38	5714	Axle Spacer Tube	2
39	5790	Gearbox Support Cap	2
F2	----	10-24 Keps Nut	7
F4	----	1/4-20 Keps Nut	2
F5	----	1/4-20 Elastic Stop Nut	8
F12	----	3/8-16 Keps Nut	7
F18	----	5/8-18 Hex Nut	2
F25	----	10-24 x 3/8 Machine Screw	2
F26	----	10-24 x 1/2 Machine Screw	2
F27	----	10-24 x 5/8 Machine Screw	4
F29	----	1/4-20 x 1/2 Hex Bolt	2
F39	----	3/8-16 x 1-1/4 Hex Bolt	5
F45	----	10-24 x 1-1/4 Machine Screw	1
F46	----	3/8-16 x 3-1/4 Hex Bolt	2
F50	----	1/4 SAE Washer	8
F51	----	3/8 SAE Washer	4
F55	----	5/8 SAE Washer	2
F56	----	5/8 Internal Star Lock Washer	2
F65	----	3/16 x 3/4 Woodruff Key	1
F76	----	3/8-16 x 5/8 Square Head Set Screw	1
F77	----	13/16 External Retainer Ring	2
F78	----	A/A64D Aluminum Pop Rivet	5
F79	----	A/A66D Aluminum Pop Rivet	5
F80	----	7/8 External Snap Ring	2

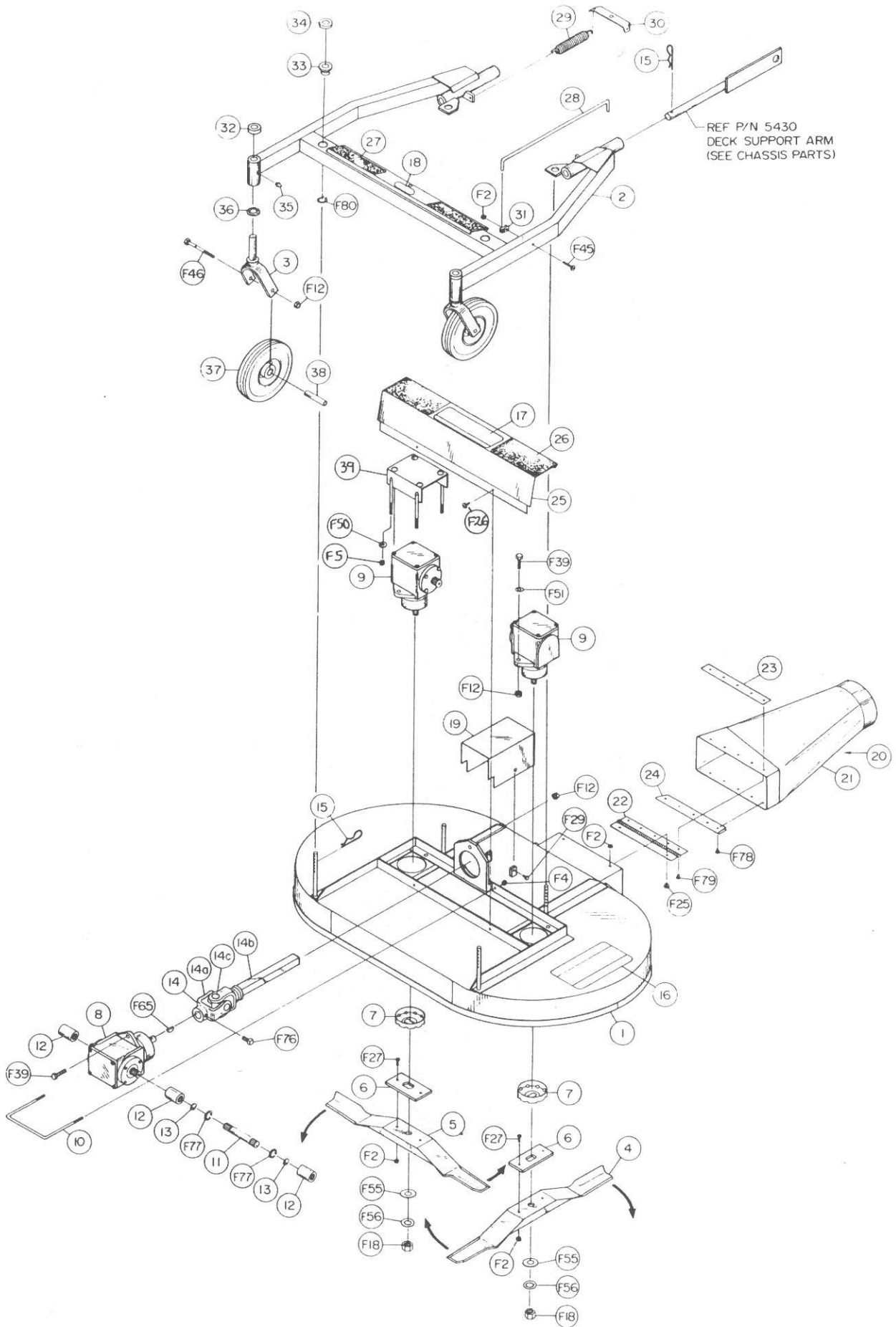


FIGURE D1 — 36" GHS DECK ASSEMBLY

36SD DECK PARTS LIST (FIG D2)

<u>Item No.</u>	<u>Part No.</u>	<u>Description</u>	<u>No. Req'd</u>
1	5702	36" Deck Housing	1
2	5708	36" Deck Carrier Frame	1
3	5770	Caster Wheel Fork Assm	2
4	5705-1	Blade (20" RH Rotation)	2
5	5706	Blade Hub	2
6	5707	Trash Guard	2
7	5051	Tee Gearbox	1
8	5052	Blade Drive Gearbox (LH Rotation)	1
9	5053	Blade Drive Gearbox (RH Rotation)	1
10	5735	U-Bolt (1/4-20 Thread)	1
11	5732-2	Connecting Shaft	1
12	----	Not Used on 36SD	0
13	5054	Spline Coupling	3
14	5055	Felt Disc	2
15	5285	Universal Joint Shaft Assm	1
15a	5286	Yoke (7/8" Bore)	1
15b	5287	Yoke with Square Shaft	1
15c	5278	Journal and Bearing Kit	1
16	5775	#10 Hitch Pin (5/32)	6
17	5808	Decal, Danger Rotating Blade	2
18	5807	Decal, Cutting Height Adjust	1
19	5809	Decal, Walker Mower Logo	1
20	5745	PTO Shaft Guard	1
21	5709	Discharge Shield	1
22	5746	Gearbox Cover	1
23	5747	Safety Tread (3-1/4 x 6)	2
24	5748	Safety Tread (2 x 6)	2
25	5749	Deck Lift Rod	1
26	5743	Counterweight Spring	2
27	5744	Spring Clip Bracket	1
28	5834	5/16" Clamp	1
29	5267	Retainer Collar	2
30	5740	Deck Pin Bushing	4
31	5727	Washer Shim (1/4 Thick)	4
32	5830	Grease Fitting	4
33	5774	Thrust Bearing	2
34	5715	Deck Caster Wheel Assm	2
35	5714	Axle Spacer Tube	2
36	5790	Gearbox Support Cap	2
F2	----	10-24 Keps Nut	5
F4	----	1/4-20 Keps Nut	6
F5	----	1/4-20 Elastic Stop Nut	8
F12	----	3/8-16 Keps Nut	7
F18	----	5/8-18 Hex Nut	2
F26	----	10-24 x 1/2 Machine Screw	2
F27	----	10-24 x 5/8 Machine Screw	4
F29	----	1/4-20 x 1/2 Hex Bolt	2
F30	----	1/4-20 x 1/2 Machine Screw	4
F39	----	3/8-16 x 1-1/4 Hex Bolt	5
F45	----	10-24 x 1-1/4 Machine Screw	1
F46	----	3/8-16 x 3-1/4 Hex Bolt	2
F50	----	1/4 SAE Washer	8
F51	----	3/8 SAE Washer	4
F55	----	5/8 SAE Washer	2
F56	----	5/8 Internal Star Lock Washer	2
F65	----	3/16 x 3/4 Woodruff Key	1
F76	----	3/8-16 x 5/8 Square Head Set Screw	1
F77	----	13/16 External Retainer Ring	2
F80	----	7/8 External Snap Ring	2

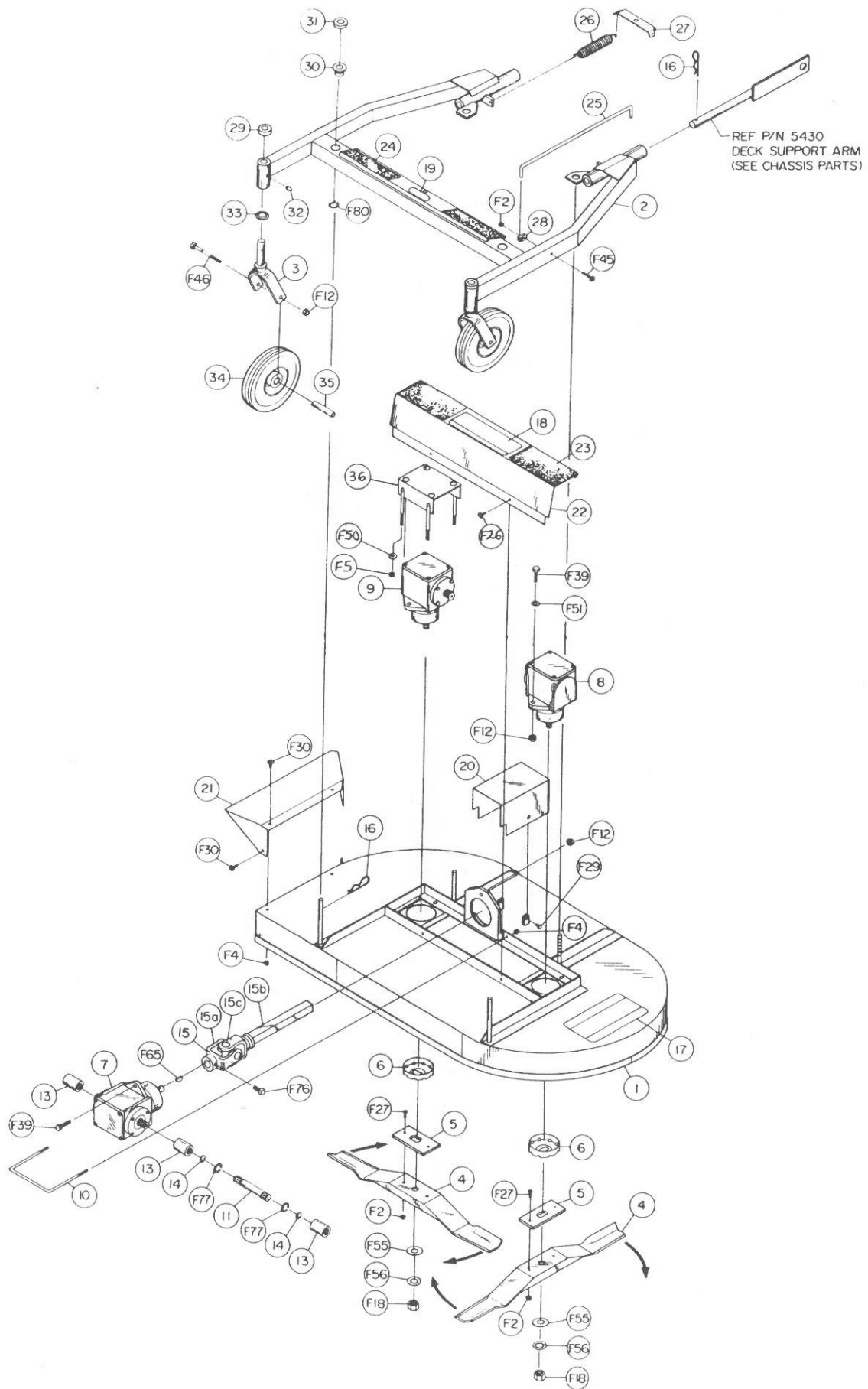


FIGURE D2 — 36" SD DECK ASSEMBLY

42SD DECK PARTS LIST (FIG D3)

Item No.	Part No.	Description	No. Req'd
1	5703	42" Deck Housing	1
2	5719	42" Deck Carrier Frame	1
3	5770	Caster Wheel Fork Assm	2
4	5705-3	Blade (22" RH Rotation)	2
5	5706	Blade Hub	2
6	5707	Trash Guard	2
7	5051	Tee Gearbox	1
8	5052	Blade Drive Gearbox (LH Rotation)	1
9	5053	Blade Drive Gearbox (RH Rotation)	1
10	5735	U-Bolt (1/4-20 Thread)	1
11	5732-3	Connecting Shaft (Long)	1
12	5732-1	Connecting Shaft (Short)	1
13	5054	Spline Coupling	4
14	5055	Felt Disc	4
15	5285	Universal Joint Shaft Assm	1
15a	5286	Yoke (7/8" Bore)	1
15b	5287	Yoke with Square Shaft	1
15c	5278	Journal and Bearing Kit	1
16	5775	#10 Hitch Pin (5/32)	6
17	5808	Decal, Danger Rotating Blade	2
18	5807	Decal, Cutting Height Adjust	1
19	5809	Decal, Walker Mower Logo	1
20	5745	PTO Shaft Guard	1
21	5709	Discharge Shield	1
22	5785	Gearbox Cover	1
23	5747	Safety Tread (3-1/4 x 6)	2
24	5748	Safety Tread (2 x 6)	2
25	5786	Deck Lift Rod	1
26	5743	Counterweight Spring	2
27	5744	Spring Clip Bracket	1
28	5834	5/16" Clamp	1
29	5267	Retainer Collar	2
30	5740	Deck Pin Bushing	4
31	5727	Washer Shim (1/4 Thick)	4
32	5830	Grease Fitting	4
33	5774	Thrust Bearing	2
34	5715	Deck Caster Wheel Assm	2
35	5714	Axle Spacer Tube	2
36	5790	Gearbox Support Cap	2
F2	----	10-24 Keps Nut	5
F4	----	1/4-20 Keps Nut	6
F5	----	1/4-20 Elastic Stop Nut	8
F12	----	3/8-16 Keps Nut	7
F18	----	5/8-18 Hex Nut	2
F26	----	10-24 x 1/2 Machine Screw	2
F27	----	10-24 x 5/8 Machine Screw	4
F29	----	1/4-20 x 1/2 Hex Bolt	2
F30	----	1/4-20 x 1/2 Machine Screw	4
F39	----	3/8-16 x 1-1/4 Hex Bolt	5
F45	----	10-24 x 1-1/4 Machine Screw	1
F46	----	3/8-16 x 3-1/4 Hex Bolt	2
F50	----	1/4 SAE Washer	8
F51	----	3/8 SAE Washer	4
F55	----	5/8 SAE Washer	2
F56	----	5/8 Internal Star Lock Washer	2
F65	----	3/16 x 3/4 Woodruff Key	1
F76	----	3/8-16 x 5/8 Square Head Set Screw	1
F77	----	13/16 External Retainer	4
F80	----	7/8 External Snap Ring	2

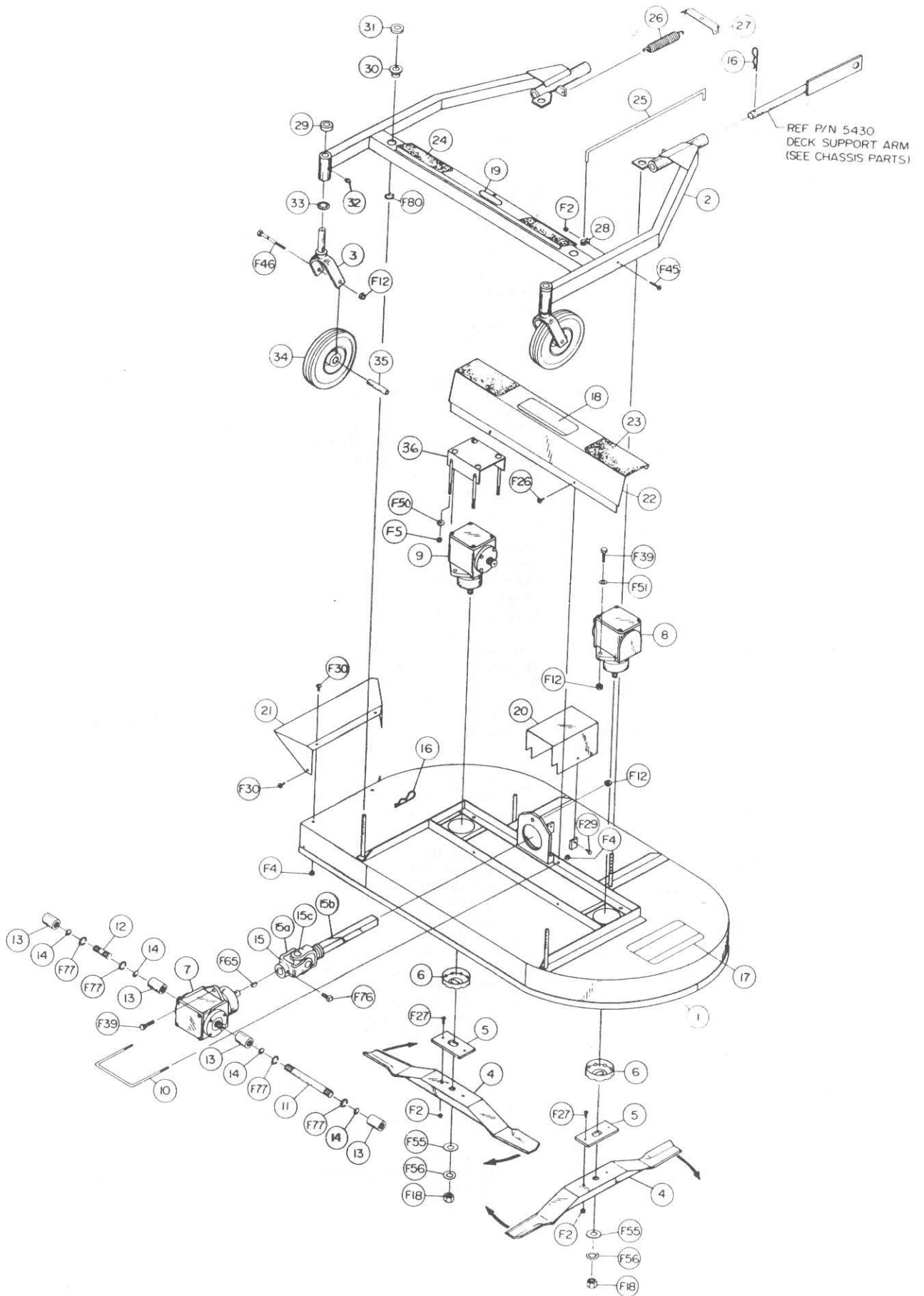


FIGURE D3 — 42" SD DECK ASSEMBLY

42GHS DECK PARTS LIST (FIG D4)

Item No.	Part No.	Description	No. Req'd
1	5704	42" Deck Housing	1
2	5719	42" Deck Carrier Frame	1
3	5770	Caster Wheel Fork Assembly	2
4	5705-3	LH Blade (22")	1
5	5705-4	RH Blade (22")	1
6	5706	Blade Hub	2
7	5707	Trash Guard	2
8	5051	Tee Gearbox	1
9	5052	Blade Drive Gearbox (LH Rotation)	2
10	5735	U-Bolt (1/4-20 Thread)	1
11	5732-3	Connecting Shaft (Long)	1
12	5054	Spline Coupling	4
13	5055	Felt Disc	4
14	5285	Universal Joint Shaft Assembly	1
14a	5286	Yoke (7/8" Bore)	1
14b	5287	Yoke with Square Shaft	1
14c	5278	Journal and Bearing Kit	1
15	5775	#10 Hitch Pin (5/32)	6
16	5808	Decal, Danger Rotating Blade	2
17	5807	Decal, Cutting Height Adjust	1
18	5809	Decal, Walker Mower Logo	1
19	5745	PTO Shaft Guard	1
20	5750	Discharge Chute Assembly	1
21	5753	Discharge Chute (only)	1
22	5726	Chute Hinge	1
23	5754	Backup Plate	1
24	5755	Chute Lower Lip	1
25	5785	Gearbox Cover	1
26	5747	Safety Tread (3-1/4 x 6)	2
27	5748	Safety Tread (2 x 6)	2
28	5786	Deck Lift Rod	1
29	5743	Counterweight Spring	2
30	5744	Spring Clip Bracket	1
31	5834	5/16" Clamp	1
32	5267	Retainer Collar	2
33	5740	Deck Pin Bushing	4
34	5727	Washer Shim (1/4 Thick)	4
35	5830	Grease Fitting	4
36	5774	Thrust Bearing	2
37	5715	Deck Caster Wheel Assembly	2
38	5714	Axle Spacer Tube	2
39	5790	Gearbox Support Cap	2
40	5732-1	Connecting Shaft (Short)	1
F2	----	10-24 Keps Nut	7
F4	----	1/4-20 Keps Nut	2
F5	----	1/4-20 Elastic Stop Nut	8
F12	----	3/8-16 Keps Nut	7
F18	----	5/8-18 Hex Nut	2
F25	----	10-24 x 3/8 Machine Screw	2
F26	----	10-24 x 1/2 Machine Screw	2
F27	----	10-24 x 5/8 Machine Screw	4
F29	----	1/4-20 x 1/2 Hex Bolt	2
F39	----	3/8-16 x 1-1/4 Hex Bolt	5
F45	----	10-24 x 1-1/4 Machine Screw	1
F46	----	3/8-16 x 3-1/4 Hex Bolt	2
F50	----	1/4 SAE Washer	8
F51	----	3/8 SAE Washer	4
F55	----	5/8 SAE Washer	2
F56	----	5/8 Internal Star Lock Washer	2
F65	----	3/16 x 3/4 Woodruff Key	1
F76	----	3/8-16 x 5/8 Square Head Set Screw	1
F77	----	13/16 External Retainer Ring	4
F78	----	A/A64D Aluminum Pop Rivet	5
F79	----	A/A66D Aluminum Pop Rivet	5
F80	----	7/8 External Snap Ring	2

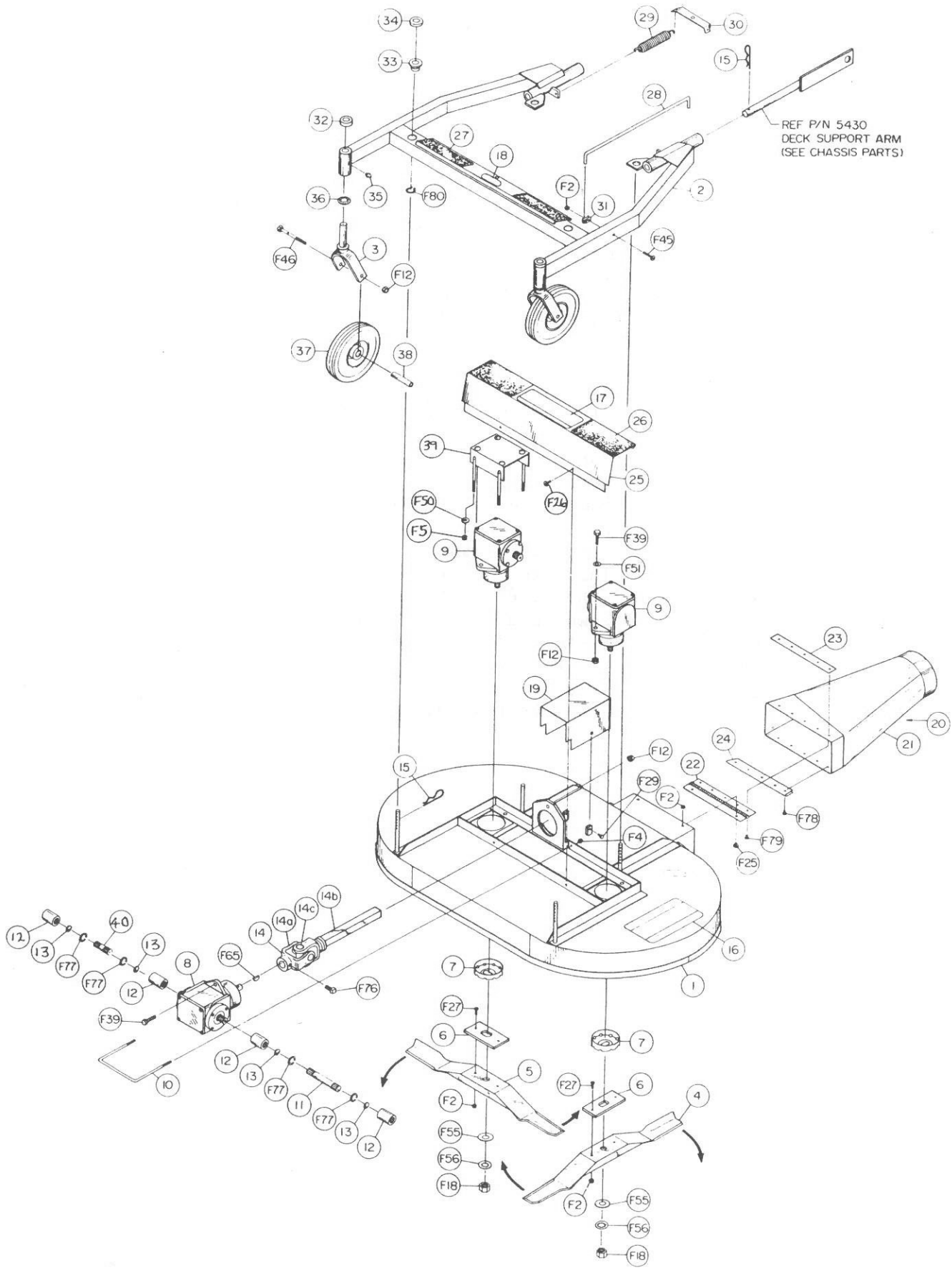
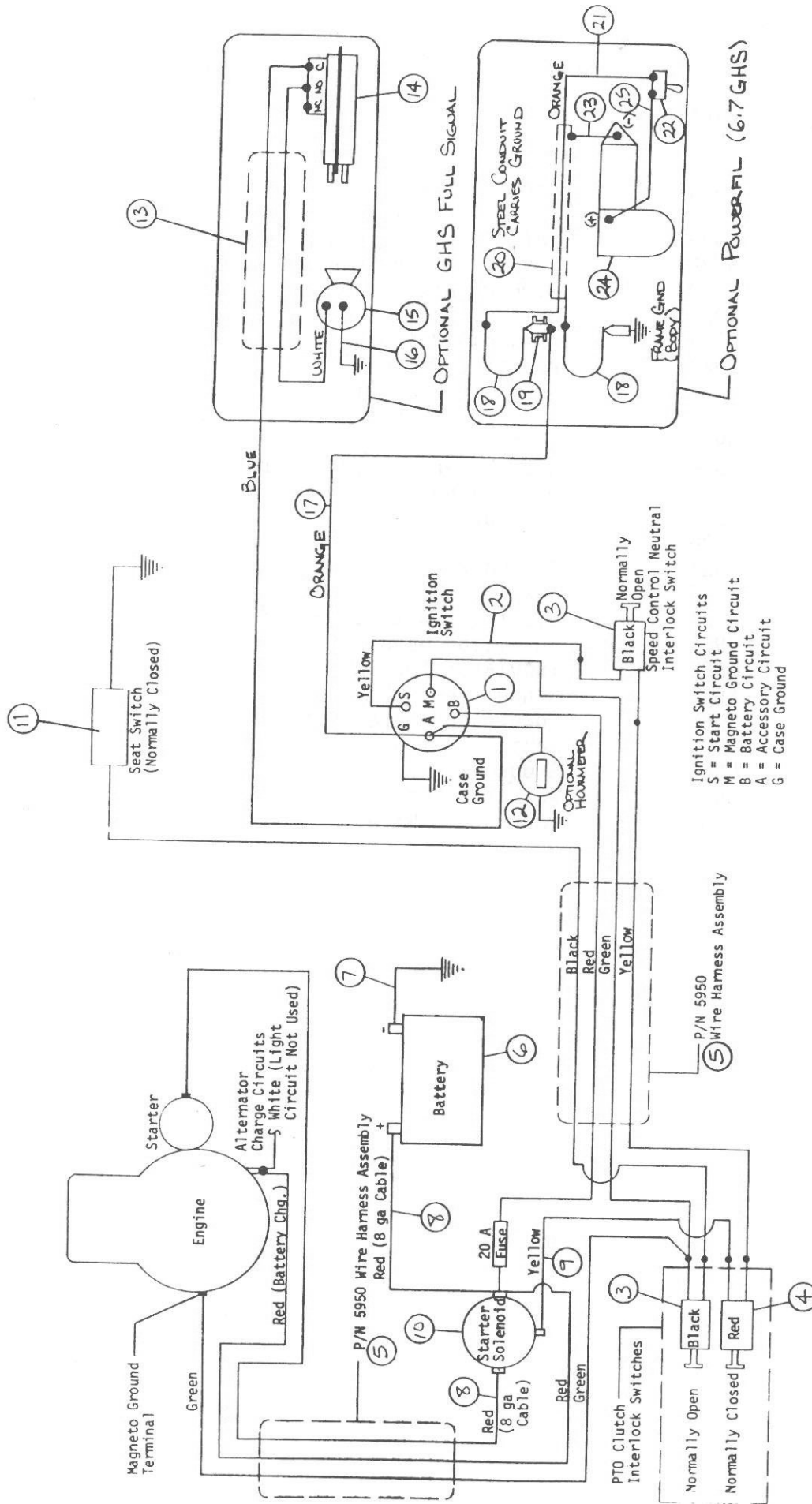


FIGURE D4 — 42" GHS DECK ASSEMBLY

WIRING DIAGRAM PARTS LIST (FIGURE E1)

<u>Item No.</u>	<u>Part No.</u>	<u>Description</u>	<u>No. Req'd</u>
1	5960	Ignition Switch (Inc. Hardware)	1
2	5952	Start Circuit Lead Wire	1
3	5939	Safety Switch (Black, Normally Open)	2
4	5938	Safety Switch (Red, Normally Closed)	1
5	5950	Wire Harness Assembly	1
6	5920	Battery (12V)	1
7	5926	Negative Battery Cable	1
8	5925	Positive Battery Cable	2
9	5951	Solenoid Lead Wire	1
10	5929	Starter Solenoid	1
11	5955	Seat Switch	1
12	5990	Hour Meter Kit (Optional)	1
13	5980	Wire Harness Assembly (GHS)	1
14	5535	Pressure Switch	1
15	5536	Horn	1
16	5981	Ground Wire	1
17	5983	Power Lead Wire, Body	1
18	5984	Electric Contact Spring	2
19	5981	Insulator Washer	1
	5982	Insulator Bushing	1
20	5988	Conduit Assembly	1
21	5985	Power Lead Wire, Catcher	1
22	5995	Master Switch	1
23	5986	Ground Wire	1
24	5519	Actuator Motor	1
25	5987	Power Lead Wire, Switch	1

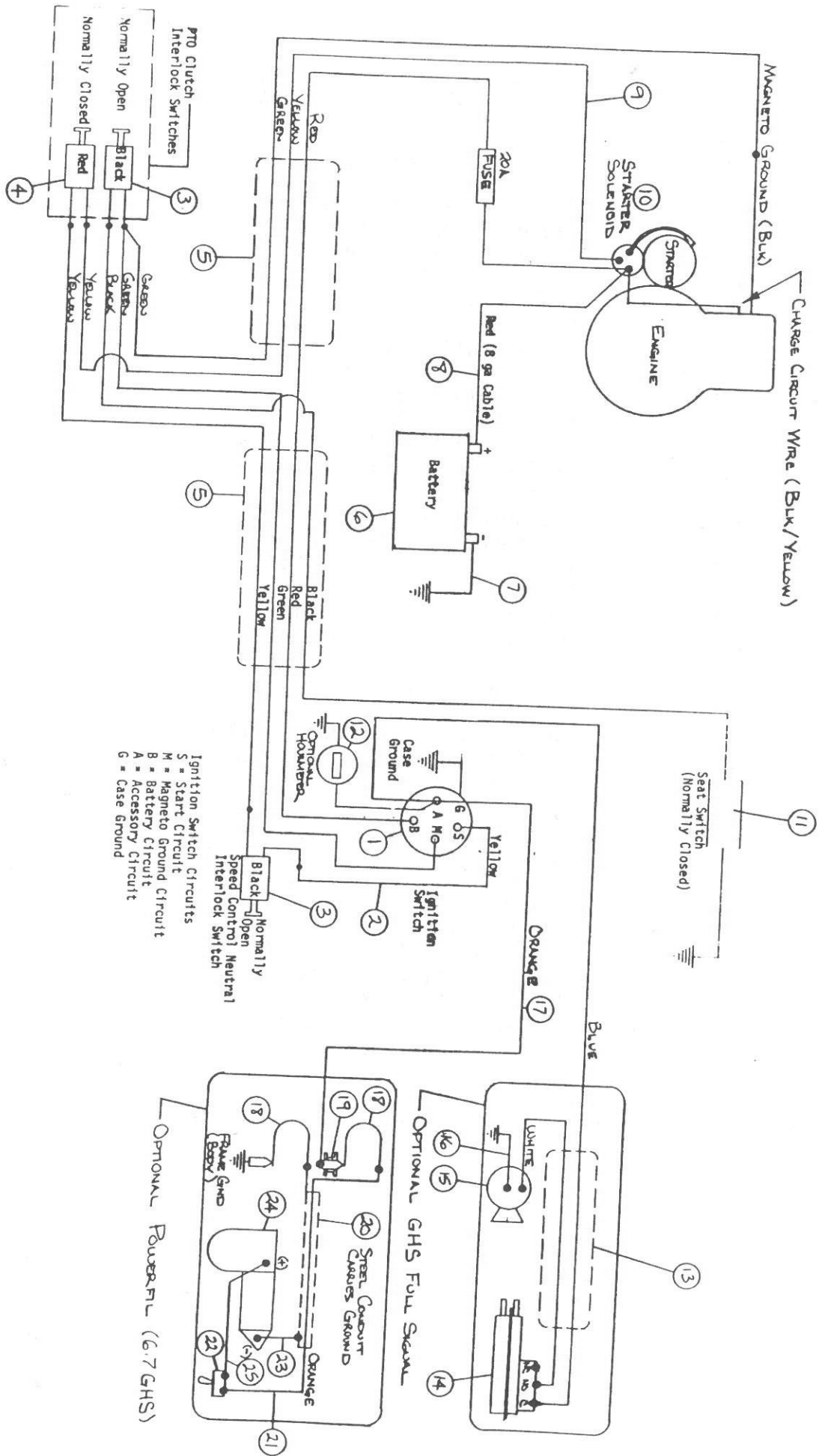


WALKER MOWER WIRING SCHEMATIC
WITH BRIGGS & STRATTON MODEL #252417

FIGURE E1

WIRING DIAGRAM PARTS LIST (FIGURE E2)

<u>Item No.</u>	<u>Part No.</u>	<u>Description</u>	<u>No. Req'd</u>
1	5960	Ignition Switch (Inc. Hardware)	1
2	5952	Start Circuit Lead Wire	1
3	5939	Safety Switch (Black, Normally Open)	2
4	5938	Safety Switch (Red, Normally Closed)	1
5	5970	Wire Harness Assembly	1
6	5920	Battery (12V)	1
7	5928	Negative Battery Cable	1
8	5927	Positive Battery Cable	2
9	5951-2	Solenoid Lead Wire	1
10	----	Starter Solenoid (Included with Engine)	1
11	5955	Seat Switch	1
12	5990	Hour Meter Kit (Optional)	1
13	5980	Wire Harness Assembly (GHS)	1
14	5535	Pressure Switch	1
15	5536	Horn	1
16	5981	Ground Wire	1
17	5983	Power Lead Wire, Body	1
18	5984	Electric Contact Spring	2
19	5981	Insulator Washer	1
	5982	Insulator Bushing	1
20	5988	Conduit Assembly	1
21	5985	Power Lead Wire, Catcher	1
22	5995	Master Switch	1
23	5986	Ground Wire	1
24	5519	Actuator Motor	1
25	5987	Power Lead Wire, Switch	1



WALKER MOWER WIRING SCHEMATIC
WITH HONDA G-400 ENGINE

FIGURE E2

GHS PARTS LIST (FIGURE G1)

<u>Item No.</u>	<u>Part No.</u>	<u>Description</u>	<u>No. Req'd</u>
1	5545	Blower Wheel Assembly	1
2	5525	Blower Faceplate Assembly	1
3	5520	Blower Housing Assembly	1
4	5265	Bearing (3/4")	2
5	5527	Skid Bar, Blower	1
6	5528	Belt Guard	1
7	5239	Blower Pulley (B4)	1
8	5234-2	GHS PTO Belt (#6944 or B41)	1
9	5530	Body Chute Assembly	1
10	5535	Pressure Switch	1
11	5536	Horn (Full Signal)	1
12	5531	Orifice Deflector	1
13	5532	Orifice	1
14	5537	Pressure Tube (2")	1
15	5538	Pressure Tube (3-1/2")	1
16	5539	Atmosphere Vent Tube (10")	1
17	5020	Filter	1
18	5817	Switch Adjustment Decal	1
19	5980	Wire Harness Assembly	1
20	5981	Ground Wire	1
21	5533	1/2" Cable Clamp (5/16" Hole)	1
22	5595	Blower Intake Cover	0
--	5590	Full Signal Retrofit Kit (1984)*	0
--	5521	Complete Blower Assembly (Less Pulley)	0
F2	----	10-24 Keps Nut	9
F4	----	1/4-20 Keps Nut	2
F12	----	3/8-16 Keps Nut	1
F24	----	10-24 x 3/8 Indented Hex Machine Screw	6
F25	----	10-24 x 3/8 Phillips Pan Machine Screw	9
F31	----	1/4-20 x 5/8 Hex Bolt	1
F38	----	3/8-16 x 1 Hex Bolt	1
F41	----	3/8-16 x 1-3/4 Hex Bolt	0
F47	----	#10 External Star Lock Washer	6
F67	----	3/16 x 3/16 x 1 Key	1
F75	----	5/16-18 x 1/2 Square Head Set Screw	2
F90	----	1/4-20 x 2-1/2 Hex Bolt	2

*Includes Horn, Pressure Switch, Heavy-duty Chute, Wiring, Hardware

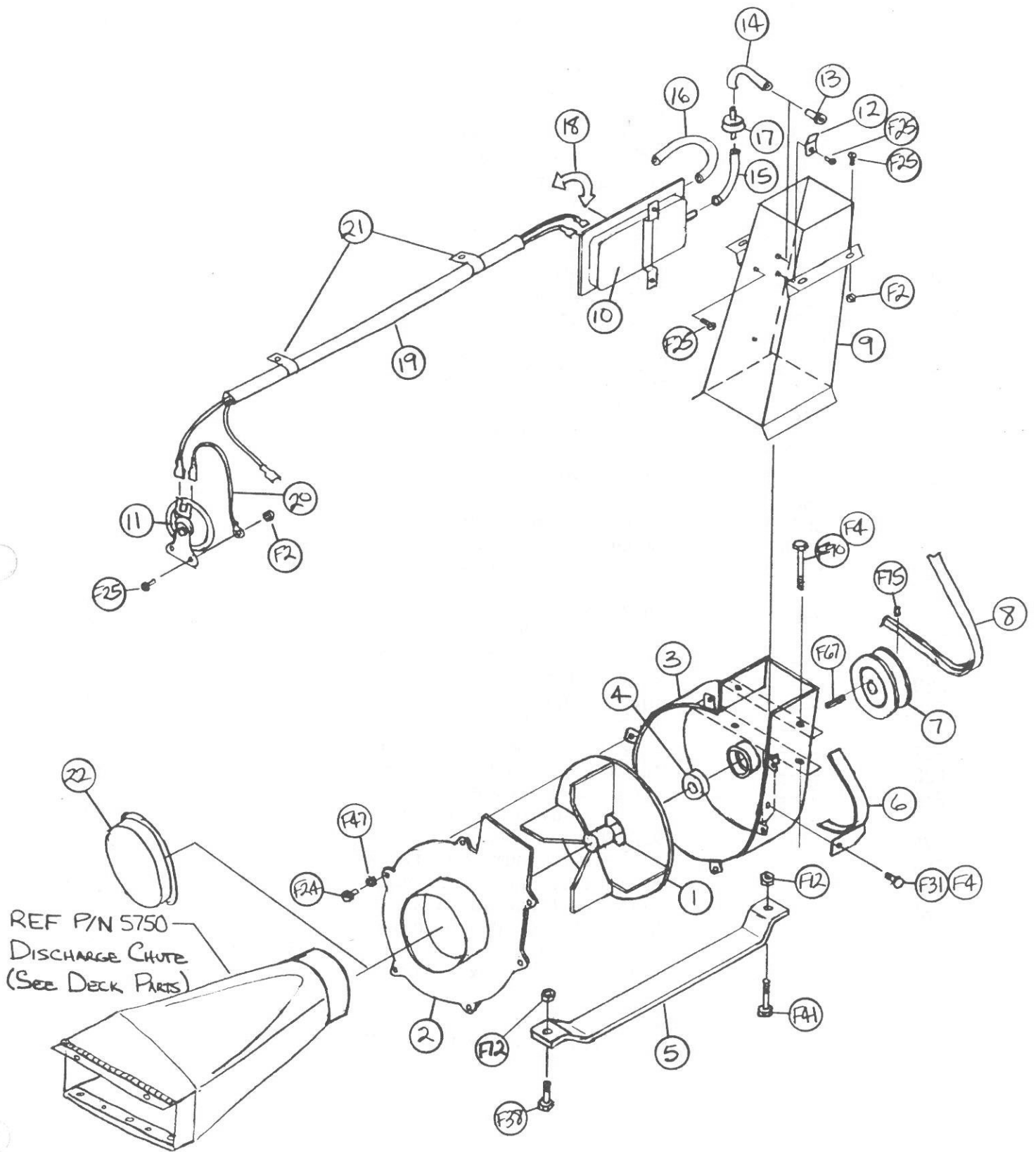


FIGURE G1 — GHS BLOWER AND CHUTE ASSEMBLY

GHS PARTS LIST (FIGURE G2)

<u>Item No.</u>	<u>Part No.</u>	<u>Description</u>	<u>No. Req'd</u>
1	5505	3.2 Bushel Catcher	1
2	5506	Upper Baffle Assembly	1
3	5507	Door Frame Assembly	1
4	5508	Catcher Door Assembly (Incl. Hinge)	1
5	5509	Delivery Chute,Catcher	1
6	5560	Lift Support Assembly	1
7	5561-1	LH Mounting Bracket	1
8	5561-2	RH Mounting Bracket	1
9	5562	Lift Link	2
10	5580	Rubber Bumper	4
11	5563	Tilt Stop Cable	1
12	5565	Hinge Plate	2
13	5850	Handle Grip	1
14	5571	Front Clip, Chute Mount	1
15	5572	RH Clip, Chute Mount	1
16	5573	LH Clip, Chute Mount	1
17	5574	Rear Clip, Chute Mount	1
18	5801	GHS Decal	2
19	5581	Dump Handle	1
20	5582	Door Latch	2
21	5575	Backup Plate, Side	2
22	5576	Backup Plate, Bottom	1
--	5501	Complete Catcher Assembly Less Mounting Frame*	0
F2	----	10-24 Keps Nut	9
F4	----	1/4-20 Keps Nut	4
F9	----	5/16-18 Whiz-Lock Nut	4
F20	----	5/16-18 ESNA Nut	8
F25	----	10-24 x 3/8 Machine Screw	3
F26	----	10-24 x 1/2 Machine Screw	3
F27	----	10-24 x 5/8 Machine Screw	1
F28	----	10-24 x 3/4 Machine Screw	3
F31	----	1/4 - 20 x 5/8 Hex Bolt	4
F78	----	A/A64D Aluminum Pop Rivet	10
F79	----	A/A66D Aluminum Pop Rivet	8
F83	----	A/A68D Aluminum Pop Rivet	12
F84	----	5/16 Wavy Spring Washer	8
F85	----	3/16 Rivet Backup Washer	12
F91	----	5/16 - 18 x 5/8 Hex Bolt	4
F92	----	5/16 - 18 x 3/4 Socket Button Head Bolt	6
F93	----	5/16 - 18 x 1 Hex Bolt	2

* Includes Catcher, Upper Baffle, Delivery Chute, Door Assembly

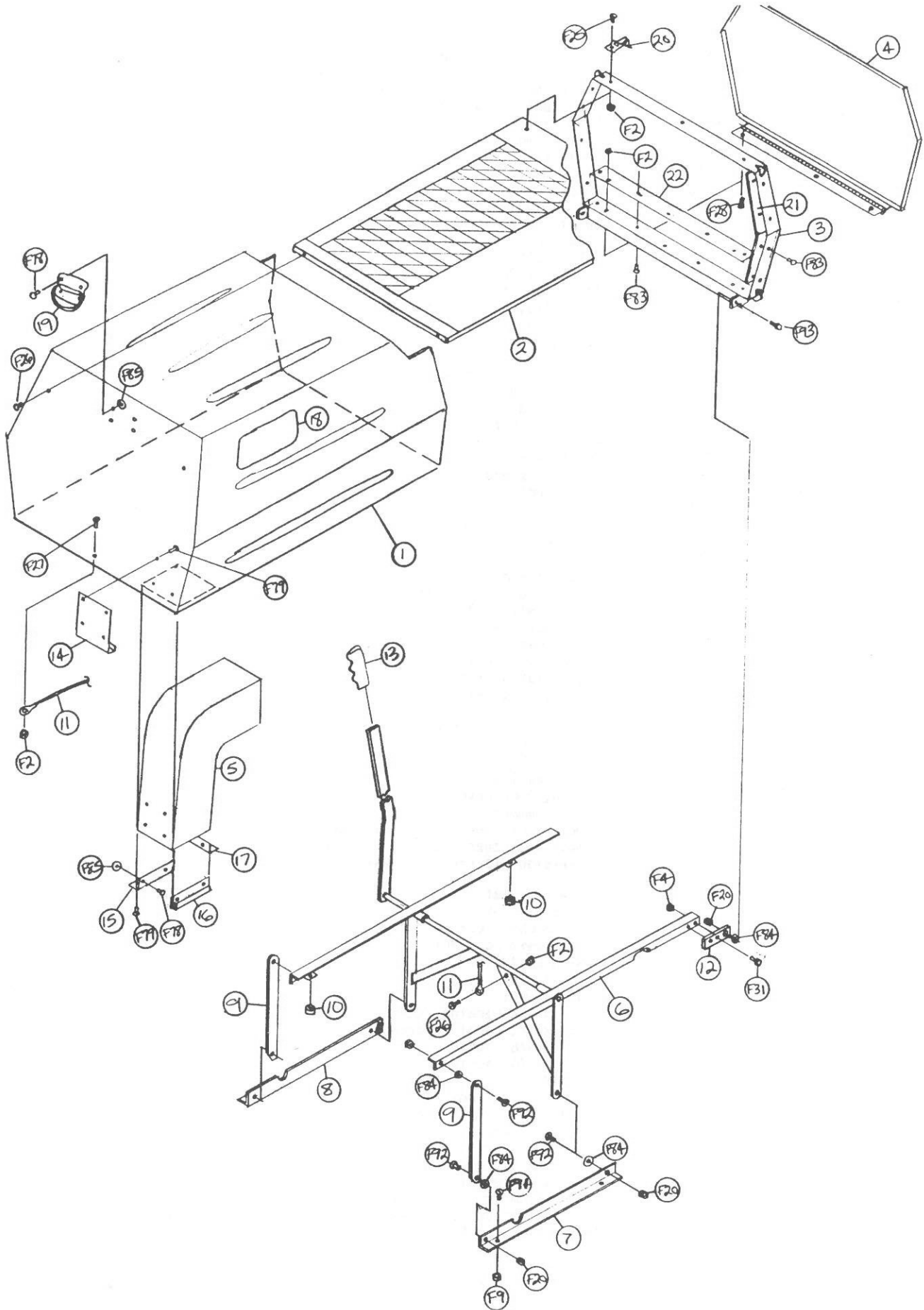


FIGURE G2 — GHS 3.2 BUSHEL CATCHER ASSEMBLY

GHS PARTS LIST (FIGURE G3)

Item No.	Part No.	Description	No. Req'd
1	5510	6.7 Bushel Catcher (Includes Door)	1
2	5512	Upper Baffle Assembly	1
3	5513	Mounting Frame Assembly	1
4	5514	Door Frame Assembly	1
5	5511	Delivery Chute	1
6	5515	Elbow Delivery Spout	1
7	5516	Bumper Assembly	1
8	5517	Pivot Mount Assembly	1
9	5518	Spout Pivot Assembly	1
10	5519	Actuator Motor (12V)	1
11	5160	Anti-Skuff Roller	2
12	5815	Body Lift Decal	1
13	5566	Tilt Stop Strap	1
14	5577	Side Clip, Chute Mount	2
15	5578	Rear Clip, Chute Mount	1
16	5579	Band Clamp, 4-1/2"	1
17	5551	Pivot Bearing	1
18	5982-1	Insulator Washer (Plastic)	1
19	5982-2	Insulator Bushing (Plastic)	1
20	5983	Power Lead Wire, Body	1
21	5984	Electric Contact Spring	2
22	5985	Power Lead Wire, Catcher	1
23	5986	Ground Wire	1
24	5988	Conduit Assembly	1
25	5583	Dump Handle	2
26	5801	GHS Decal	2
27	5584	Reinforcing Strap, Exhaust Opening	1
28	5552	Ball Joint (1/4-28)	2
29	5553	Actuator Rod	1
30	5554	Actuator Arm	1
31	5987	Power Lead Wire, Switch	1
32	5995	Master Switch (Powerfil)	1
33	5995-2	Panel Nut (Switch)	1
34	5555	Motor Cover	1
35	5813	"Powerfil" Decal	1
36	5585	Edge Molding, Motor Cover	2
37	5586	Edge Molding, Baffle	1
38	5519-2	Motor Mount Washer	1
39	5519-3	Motor Mount Nut (5/8-24 Panel Nut)	1
40	5522	Hinge Backup Plate	2
41	5523	Spring Hook	2
42	5524	Hinge Bearing	2
43	5587	Spring, Door Latch	2
44	5588	Rubber Bumper	2
--	5502-1	Complete Catcher Assm, Less Powerfil & Mt*	0
--	5502-2	Complete Catcher Assm, With Powerfil*	0
--	5502-3	Conversion Kit for 6.7 Grass Catcher**	0
F2	----	10-24 Keps Nut	31
F3	----	1/4-28 Hex Nut	2
F9	----	5/16-18 Whiz-Lock Nut	4
F13	----	3/8-16 Whiz-Lock Nut	4
F14	----	3/8-16 ESNA Nut	2
F20	----	5/16-18 ESNA Nut	2
F21	----	8-32 Hex Nut	2
F25	----	10-24 x 3/8 Machine Screw	5
F26	----	10-24 x 1/2 Machine Screw	15
F27	----	10-24 x 5/8 Machine Screw	7
F28	----	10-24 x 3/4 Machine Screw	3
F35	----	5/16-18 x 1-1/4 Hex Bolt	2
F39	----	3/8-16 x 1-1/4 Hex Bolt	2
F45	----	10-24 x 1-1/4 Machine Screw	1
F49	----	5/16 SAE Washer	5
F51	----	3/8 SAE Washer	4
F59	----	3/8 Wavy Spring Washer	2
F68	----	1/8 x 1 Cotter Pin	1
F78	----	A/A64D Aluminum Pop Rivet	6
F79	----	A/A66D Aluminum Pop Rivet	6
F83	----	A/A68D Aluminum Pop Rivet	43
F85	----	3/16 Rivet Backup Washer	46
F86	----	#10 SAE Washer	4
F91	----	5/16-18 x 5/8 Hex Bolt	4
F94	----	8-32 x 1/2 Phillips Truss Head Machine Screw	2

* Includes Catcher, Upper Baffle, Delivery Chute, Door Assembly

** Includes Complete Catcher Assembly, Powerfil System and Mounting Bumper

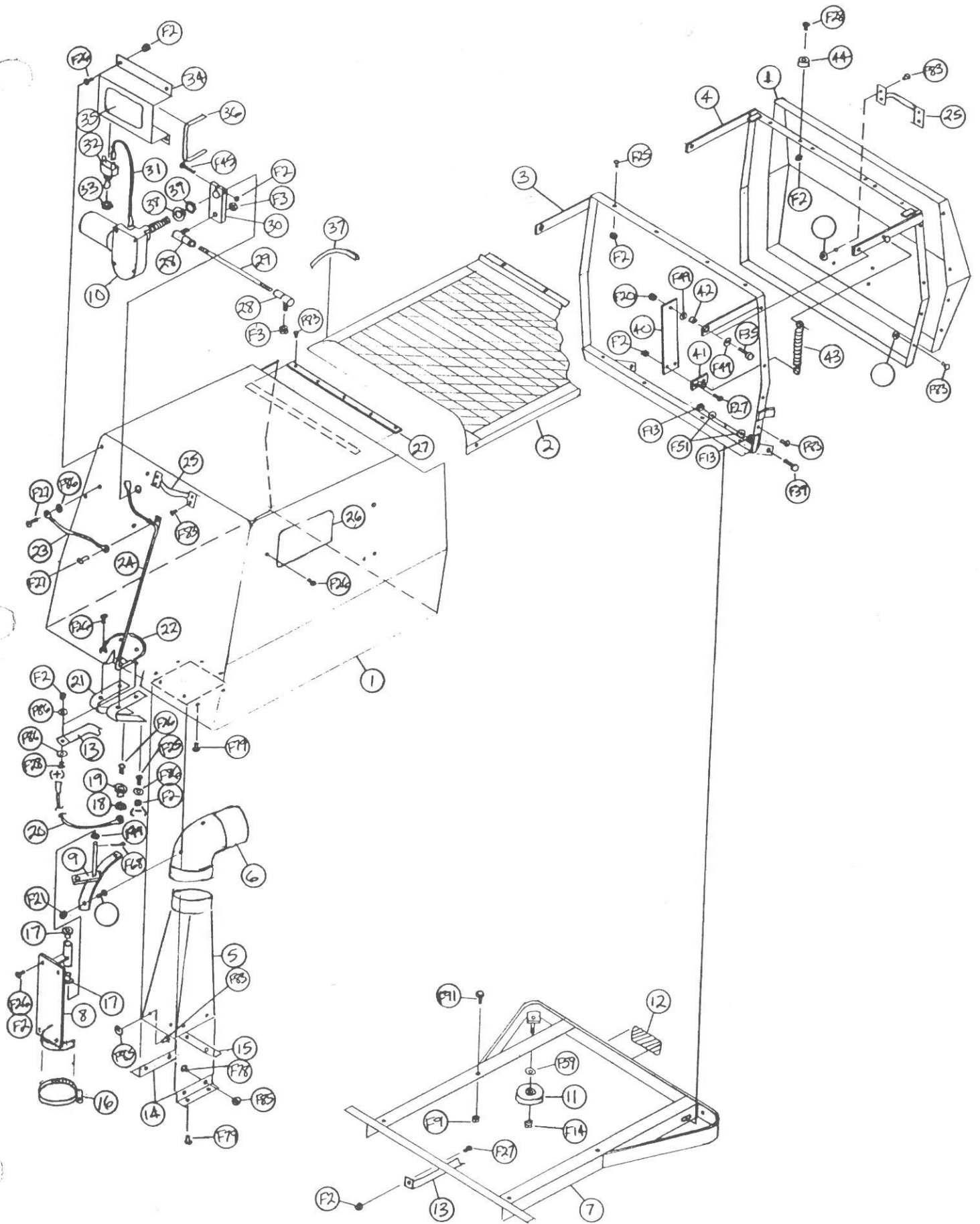


FIGURE G3 — GHS 6.7 BUSHEL CATCHER ASSEMBLY

Free Manuals Download Website

<http://myh66.com>

<http://usermanuals.us>

<http://www.somanuals.com>

<http://www.4manuals.cc>

<http://www.manual-lib.com>

<http://www.404manual.com>

<http://www.luxmanual.com>

<http://aubethermostatmanual.com>

Golf course search by state

<http://golfingnear.com>

Email search by domain

<http://emailbydomain.com>

Auto manuals search

<http://auto.somanuals.com>

TV manuals search

<http://tv.somanuals.com>