

# 9100/9400/9600

EXTENSION

STANDARD LIFT

MH

INSTALLATION INSTRUCTIONS AND OWNER'S MANUAL

## Table Of Contents

<b>Parts Breakdown</b>	<b>2</b>
<b>Pre-Installation</b>	<b>3</b>
Important Safety Instructions	3
Tools Required	3
Package Contents	3
Door Section Identification	4
Removing an Existing Door	4
Preparing the Opening	4
<b>Installation</b>	<b>6</b>
<b>Optional Installation</b>	<b>13</b>
Door Arm Hookup	13
Trolley Arm Configuration	13
Inside Lock	13
Pull Down Rope	14
Step Plate	14
<b>Maintenance</b>	<b>15</b>
Cleaning Your Garage Door	15
Painting Your Garage Door	15
Operation and Maintenance	15
<b>Warranty</b>	<b>16</b>
<b>Dealer Locator Information</b>	<b>18</b>

### **IMPORTANT NOTICES!**

Wayne-Dalton highly recommends that you read and fully understand the Installation Instructions and Owner's Manual before you attempt this installation.

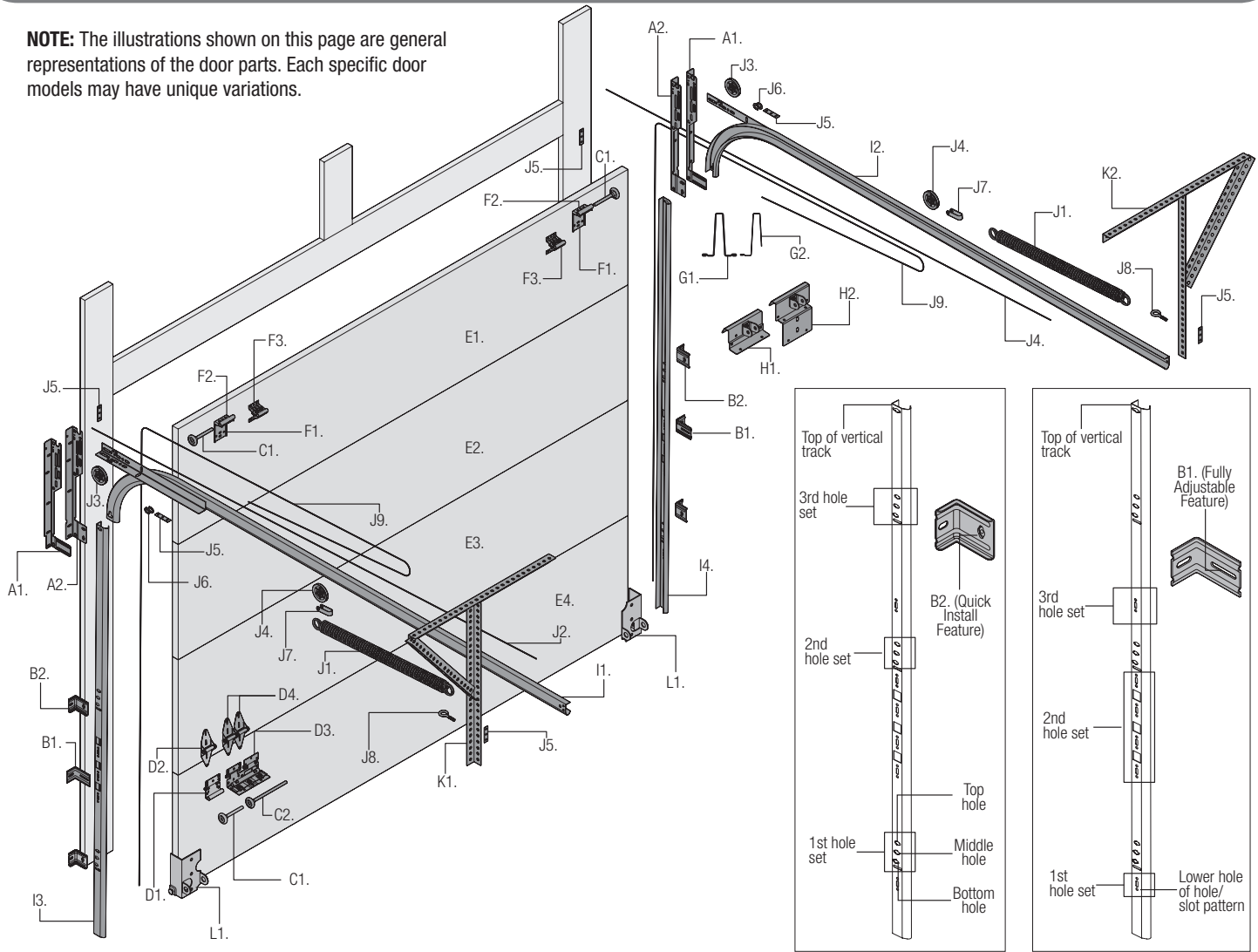
To avoid possible injury, read the enclosed instructions carefully before installing and operating the garage door. Pay close attention to all warnings and notes. After installation is complete, fasten this manual near garage door for easy reference.

The complete Installation Instructions and Owner's Manual are available at no charge from:

Wayne-Dalton, a Division Of Overhead Door Corporation,  
P.O. Box 67, Mt. Hope, OH., 44660,  
Or Online At [www.Wayne-Dalton.com](http://www.Wayne-Dalton.com)

# PARTS BREAKDOWN

**NOTE:** The illustrations shown on this page are general representations of the door parts. Each specific door models may have unique variations.



**A. FLAG ANGLES (AS REQUIRED):**

- A1. Fully Adjustable (F.A.) Flag Angles
- A2. Quick Install (Q.I.) Flag Angles

**B. JAMB BRACKETS (AS REQUIRED):**

- B1. Fully Adjustable (F.A.) Jamb Brackets
- B2. Quick Install (Q.I.) Jamb Brackets

**C. TRACK ROLLERS:**

- C1. Short Stem Track Rollers
- C2. Long Stem Track Rollers

**D. GRADUATED END HINGES:**

- D1. Single Graduated End Hinges (S.E.H.), Anti-Pinch
- D2. Single Graduated End Hinges (S.E.H.), Industry Standard
- D3. Double Graduated End Hinges (D.E.H.), Anti-Pinch
- D4. Double Graduated End Hinges (D.E.H.), Industry Standard

**E. STACKED SECTIONS:**

- E1. Top Section
- E2. Intermediate(s) Section
- E3. Lock Section
- E4. Bottom Section

**F. TOP FIXTURES (AS REQUIRED):**

- F1. Top Fixture Bases - (L-Shaped), F2. Top Fixture Slides
- F3. Top Fixture Assemblies

**G. STRUT(S) (AS REQUIRED):**

- G1. Struts (U-shaped)

G2. Struts (3" A-symmetrical)

**H. DRAWBAR OPERATOR BRACKET (FOR TROLLEY OPERATED DOORS):**

- H1. Drawbar Operator Bracket – For Models 9600/9400/9100/5140/5120
- H2. Drawbar Operator Bracket – For Model 9700

**I. TRACKS:**

- I1. Left Hand Horizontal Track Assembly
- I2. Right Hand Horizontal Track Assembly
- I3. Left Hand Vertical Track
- I4. Right Hand Vertical Track

**J. EXTENSION SPRING ASSEMBLY:**

- J1. Extension Springs
- J2. Snubber Cables
- J3. Front Cable Lift Sheaves
- J4. Rear Cable Lift Sheaves
- J5. 3 Hole Clips (As Required)
- J6. S-Hooks (As Required)
- J7. Sheave Forks (As Required)
- J8. 5/16" – 18 x 3-3/4" Eye Bolts (As Required)
- J9. Counterbalance Lift Cables

**K. REAR BACK HANGS:**

- K1. Left Hand Rear Back Hangs Assemblies
- K2. Right Hand Rear Back Hangs Assemblies

**L. BOTTOM CORNER BRACKETS (AS REQUIRED):**

- L1. Left Hand And Right Hand Bottom Corner Brackets

## Important Safety Instructions

Definition of key words used in this manual:

### **WARNING**

**INDICATES A POTENTIALLY HAZARDOUS SITUATION WHICH; IF NOT AVOIDED, COULD RESULT IN SEVERE OR FATAL INJURY.**

**CAUTION:** PROPERTY DAMAGE OR INJURY CAN RESULT FROM FAILURE TO FOLLOW INSTRUCTIONS.

**IMPORTANT:** REQUIRED STEP FOR SAFE AND PROPER DOOR OPERATION.

**NOTE:** Information assuring proper installation of the door.

READ THESE INSTRUCTIONS CAREFULLY BEFORE ATTEMPTING INSTALLATION. IF IN QUESTION ABOUT ANY OF THE PROCEDURES, DO NOT PERFORM THE WORK. INSTEAD, HAVE A TRAINED DOOR SYSTEMS TECHNICIAN DO THE INSTALLATION OR REPAIRS.

- READ AND FOLLOW ALL INSTALLATION INSTRUCTIONS.**
- Wear protective gloves during installation to avoid possible cuts from sharp metal edges.
- It is always recommended to wear eye protection when using tools, otherwise eye injury could result.
- Avoid installing your new door on windy days. Door could fall during the installation causing severe or fatal injury.
- Doors 12'-0" wide and over should be installed by two persons, to avoid possible injury.
- Operate door only when it is properly adjusted and free from obstructions.
- If a door becomes hard to operate, inoperative or is damaged, immediately have necessary adjustments and/ or repairs made by a trained door systems technician using proper tools and instructions.
- DO NOT stand or walk under a moving door, or permit anybody to stand or walk under an electrically operated door.
- DO NOT place fingers or hands into open section joints when closing a door. Use lift handles/ gripping points when operating door manually.
- DO NOT permit children to operate garage door or door controls. Severe or fatal injury could result should the child become entrapped between the door and the floor.
- Due to constant extreme spring tension, do not attempt any adjustment, repair or alteration to any part of the door, especially to springs, spring brackets, bottom corner brackets, fasteners, counterbalance lift cables or supports. To avoid possible severe or fatal injury, have any such work performed by a trained door systems technician using proper tools and instructions.
- On electrically operated doors, pull down ropes must be removed and locks must be removed or made inoperative in the open (unlocked) position.
- Top section of door may need to be reinforced when attaching an electric opener. Check door and/ or opener manufacturer's instructions.
- Visually inspect door and hardware monthly for worn and or broken parts. Check to ensure door operates freely.
- Test electric opener's safety features monthly, following opener manufacturer's instructions.
- NEVER hang tools, bicycles, hoses, clothing or anything else from horizontal tracks. Track systems are not intended or designed to support extra weight.
- This door may not meet the building code wind load requirements in your area. For your safety, you will need to check with your local building official for wind load code requirements and building permit information.

**After installation is complete, fasten this manual near the garage door.**

**IMPORTANT:** STAINLESS STEEL OR PT2000 COATED LAG SCREWS MUST BE USED WHEN INSTALLING CENTER BEARING BRACKETS, END BRACKETS, JAMB BRACKETS, DRAWBAR OPERATOR MOUNTING/ SUPPORT BRACKETS AND DISCONNECT BRACKETS ON TREATED LUMBER (PRESERVATIVE-TREATED). STAINLESS STEEL OR PT2000 LAG SCREWS ARE NOT NECESSARY WHEN INSTALLING PRODUCTS ON UN-TREATED LUMBER.

**NOTE:** It is recommended that 5/16" lag screws are pilot drilled using a 3/16" drill bit, prior to fastening.

**IMPORTANT:** WHEN INSTALLING 5/16" LAG SCREWS USING AN ELECTRIC DRILL/ DRIVER, THE DRILL/ DRIVERS CLUTCH MUST BE SET TO DELIVER NO MORE THAN 200 IN-LBS OF TORQUE. FASTENER FAILURE COULD OCCUR AT HIGHER SETTINGS.

### **WARNING**

**PRIOR TO WINDING OR MAKING ADJUSTMENTS TO THE SPRINGS, ENSURE YOU'RE WINDING IN THE PROPER DIRECTION AS STATED IN THE INSTALLATION INSTRUCTIONS. OTHERWISE, THE SPRING FITTINGS MAY RELEASE FROM SPRING IF NOT WOUND IN THE PROPER DIRECTION AND COULD RESULT IN SEVERE OR FATAL INJURY.**

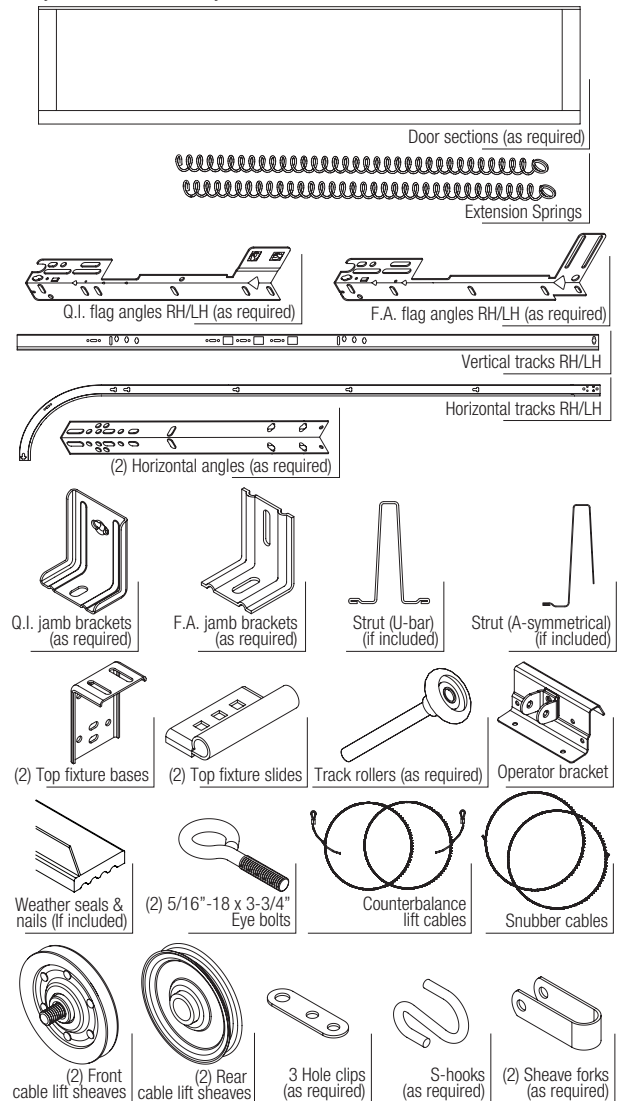
**IMPORTANT:** RIGHT AND LEFT HAND IS ALWAYS DETERMINED FROM INSIDE THE BUILDING LOOKING OUT

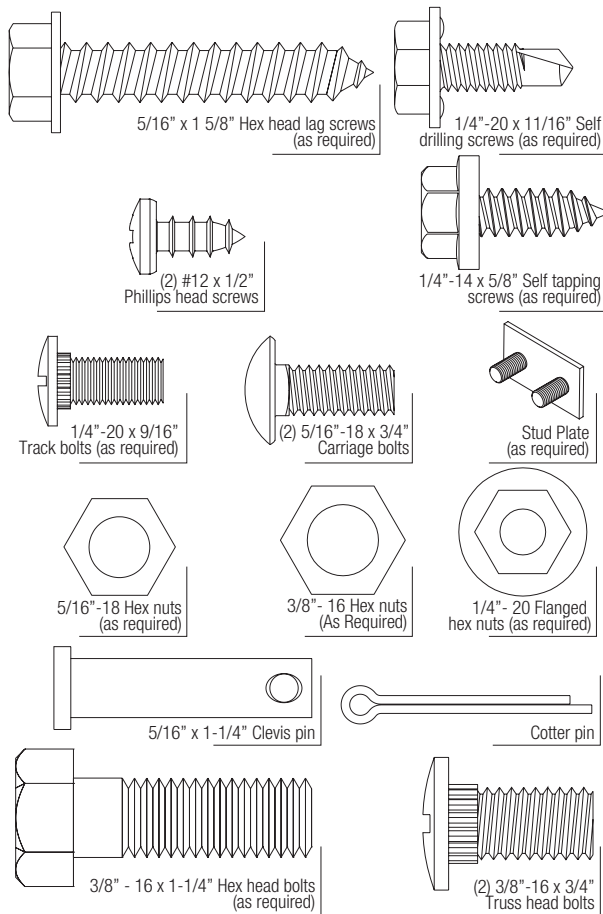
## Tools Required

- Power drill
- Drill bits: 1/8", 3/16", 9/32", 7/16", 1/2"
- Ratchet wrench
- Socket driver: 7/16"
- Sockets: 7/16", 1/2", 9/16", 5/8"
- Phillips head screwdriver
- Locking Pliers
- (2) Vice clamps
- Wrenches: 3/8", 7/16", 1/2", 9/16", 5/8"
- Hammer
- Tape Measure
- Step Ladder
- Level
- Pencil
- Leather gloves
- Safety glasses

## Package Contents

**NOTE:** Depending on the door model, some parts listed will not be supplied if not required. Rear supports may not be included with your door.





## Door Section Identification

Graduated end and center hinges are always pre-attached at the top of each section (except top section) and the graduated end hinges are stamped for identification, #1, #2, #3, and #4 (#4 only on five section doors). The stamp identifies the stacking sequence of the section. The sequence is always determined by #1 being the bottom section to #3 or #4 being the highest intermediate section. If the stamp on the graduated end hinge is illegible, refer to the section side view illustration. The section side view illustration shows the graduated end hinge profile of all sections, and can also be used to identify each section.

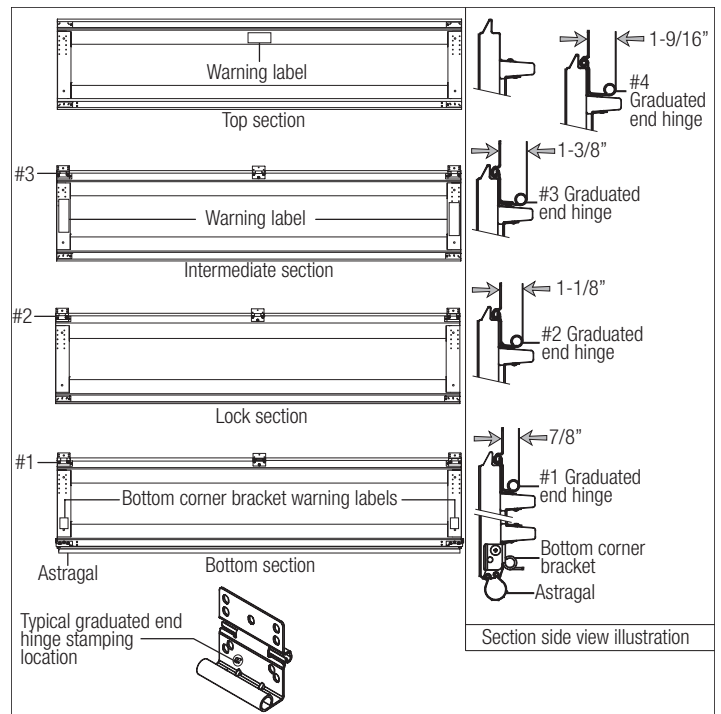
The **BOTTOM SECTION** can be identified by #1 graduated end hinges, the factory attached bottom astragal, the factory attached bottom corner brackets and by the bottom corner bracket warning labels on each end stile.

The **LOCK SECTION** can be identified by #2 graduated end hinges on a 4 section high door and by #3 graduated end hinges on a 3 section high door. Also, on a 3 section door, the lock section will come with a warning label attached to the right or left end stile.

The **INTERMEDIATE SECTION** can be identified by #3 graduated end hinges (Only on a 4 section high door). The section will have a warning label attached to either the right or left hand end stile.

**NOTE:** #4 graduated end hinges are used on the fourth section of five section doors.

The **TOP SECTION** can be identified with no pre-installed graduated end or center hinges.



## Removing an Existing Door

**IMPORTANT:** COUNTERBALANCE SPRING TENSION MUST ALWAYS BE RELEASED BEFORE ANY ATTEMPT IS MADE TO START REMOVING AN EXISTING DOOR.

### ⚠ WARNING

**A POWERFUL SPRING RELEASING ITS ENERGY SUDDENLY CAN CAUSE SEVERE OR FATAL INJURY. TO AVOID INJURY, HAVE A TRAINED DOOR SYSTEMS TECHNICIAN, USING PROPER TOOLS AND INSTRUCTIONS, RELEASE THE SPRING TENSION.**

For detailed information see supplemental instructions "Removing an Existing Door/ Preparing the Opening". These instructions are not supplied with the door, but are available at no charge from Wayne-Dalton, A Division Of Overhead Door Corporation, P.O. Box 67, Mt. Hope, OH., 44660, or at [www.Wayne-Dalton.com](http://www.Wayne-Dalton.com).

## Preparing the Opening

**IMPORTANT:** IF YOU JUST REMOVED YOUR EXISTING DOOR OR YOU ARE INSTALLING A NEW DOOR, COMPLETE ALL STEPS IN PREPARING THE OPENING.

To ensure secure mounting of track brackets, side and center brackets, or steel angles to new or retro-fit construction, it is recommended to follow the procedures outlined in DASMA technical data sheets #156, #161 and #164 at [www.dasma.com](http://www.dasma.com).

The inside perimeter of your garage door opening should be framed with wood jamb and header material. The jambs and header must be securely fastened to sound framing members. It is recommended that 2" x 6" lumber be used. The jambs must be plumb and the header level. The jambs should extend a minimum of 12" (305 mm) above the top of the opening. For low headroom applications, the jambs should extend to the ceiling height. Minimum side clearance required, from the opening to the wall, is 3-1/2" (89 mm).

**IMPORTANT:** CLOSELY INSPECT JAMBS, HEADER AND MOUNTING SURFACE. ANY WOOD FOUND NOT TO BE SOUND, MUST BE REPLACED.

A suitable mounting surface (2" x 6") must be firmly attached to the wall, above the header at the center of the opening.

**NOTE:** Drill a 3/16" pilot hole in the mounting surface to avoid splitting the lumber. Do not attach the mounting surface with nails.

### WEATHERSTRIPS (MAY NOT BE INCLUDED):

Depending on the size of your door, you may have to cut or trim the weatherstrips (if necessary) to properly fit into the header and jambs.

**NOTE:** If nailing product at 40°F or below, pre-drilling is required.

**NOTE:** Do not permanently attach weatherstrips to the header and jambs at this time.

For Quick Install track: For the header, align the weatherstrip with the inside edge of the header and temporarily secure it to the header with equally spaced nails. Starting at either side of the jamb, fit the weatherstrip up tight against the temporarily attached weatherstrip in the header

and flush with the inside edge of the jamb. Temporarily secure the weatherstrip with equally spaced nails. Repeat for other side. This will keep the bottom section from falling out of the opening during installation. Equally space nails approximately 12" to 18" apart.

For Fully Adjustable track: For the header, align the weatherstrip 1/8" to 1/4" inside the header edge, and temporarily secure it to the header with equally spaced nails. Starting at either side of the jamb, fit the weatherstrip up tight against the temporarily attached weatherstrip in the header and 1/8" to 1/4" inside the jamb edge. Temporarily secure the weatherstrip with equally spaced nails. Repeat for other side. This will keep the bottom section from falling out of the opening during installation. Equally space nails approximately 12" to 18" apart.

**Headroom requirement:** Headroom is defined as the space needed above the top of the door for tracks, springs, etc. to allow the door to open properly. If the door is to be motor operated, 2-1/2" (64 mm) of additional headroom is required.

**NOTE:** 6" low headroom conversion kit is available for 12" radius only. Contact your local Wayne-Dalton dealer.

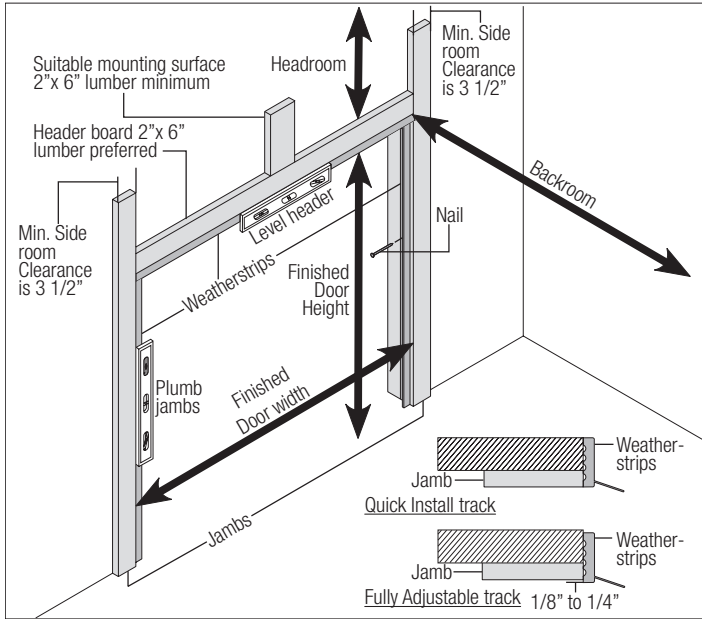
**Backroom requirement:** Backroom is defined as the distance needed from the opening back into the garage to allow the door to open fully.

**BACKROOM REQUIREMENTS**

Door Height	Track	Manual Lift	Motor Operated
6'0" to 7'0"	12", 15" Radius	102" (2591 mm)	125" (3175 mm)
7'1" to 8'0"	12", 15" Radius	114" (2896 mm)	137" (3480 mm)

**HEADROOM REQUIREMENTS**

Track Type	Space Needed
12" Radius	11" (279 mm)
15" Radius	13-1/2" (343 mm)



# INSTALLATION

Before installing your door, be certain that you have read and followed all of the instructions covered in the pre-installation section of this manual. Failure to do so may result in an improperly installed door.

**NOTE:** Reference TDS 160 for general garage door terminology at [www.dasma.com](http://www.dasma.com).

**1**

## Quick Install Flag Angles

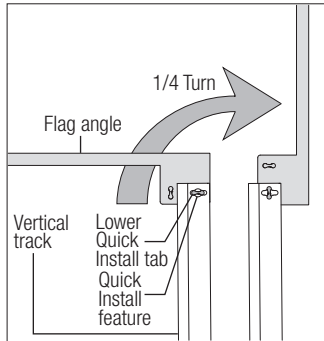
Tools: None

**NOTE:** If you have Fully Adjustable flag angles, skip this step.

**NOTE:** If you have riveted track, skip this step.

**NOTE:** Flag angles are right and left handed.

Place the lower Quick Install tab of the left hand flag angle in the Quick Install feature of the left hand vertical track. Give the flag angle 1/4 turn to lock in place. Repeat for other side.



**2**

## Fully Adjustable Flag Angles

Tools: None

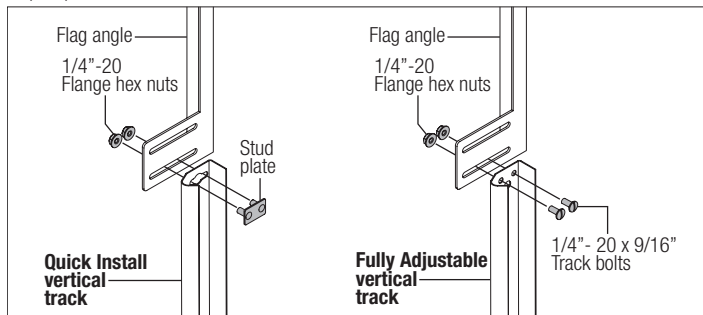
**NOTE:** If you have Quick Install flag angles, skip this step.

**NOTE:** If you have riveted track, skip this step.

**NOTE:** Flag angles are right and left handed.

If you have Quick Install vertical tracks, hand tighten the left hand flag angle to the left hand vertical track using (1) stud plate and (2) 1/4" - 20 flange hex nuts. Repeat for the other side.

If you have Fully Adjustable vertical tracks, hand tighten the left hand flag angle to the left hand vertical track using (2) 1/4" - 20 x 9/16" track bolts and (2) 1/4" - 20 flange hex nuts. Repeat for other side. Flange nuts will be secured after flag angle spacing is completed in step, Top Section.



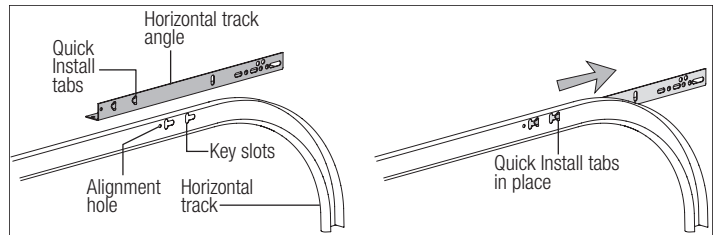
**3**

## Horizontal Track Angles

Tools: Hammer

**NOTE:** For larger doors, a full length horizontal track angle may not already be spot welded to the horizontal track. If the horizontal track angle is not welded, the horizontal track angle will be installed, as shown.

Position the left hand horizontal track angle, as shown. Place the Quick Install tabs of the horizontal track angle in the key slot of the left hand horizontal track. Using a hammer, tap the horizontal track angle towards the curved end of the track until the alignment hole in the track and angle are aligned. Repeat for other side. Set tracks aside.



**4**

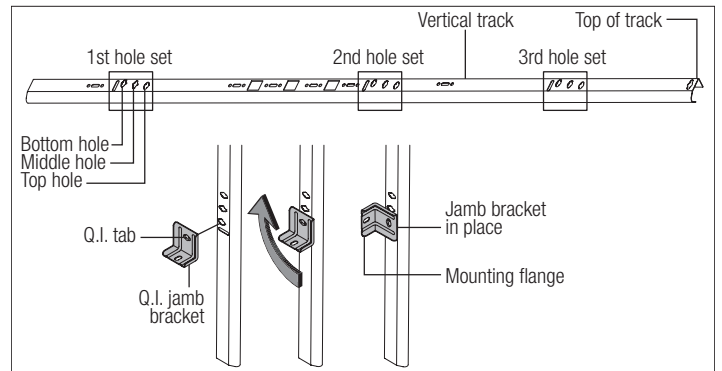
## Quick Install Jamb Brackets

Tools: None

**NOTE:** If you have Fully Adjustable jamb brackets, skip this step.

**NOTE:** If you have riveted track, skip this step.

Measure the length of the vertical tracks. Using the jamb bracket schedule, determine the placement of the jamb brackets for your door height and track length. To install the jamb brackets, align the Quick Install tab on the Quick Install jamb bracket with the Quick Install feature in the vertical track and turn the bracket perpendicular to the track so the mounting flange is toward the back (flat) leg of the track. Repeat for other side.



**JAMB BRACKET SCHEDULE**

DOOR HEIGHT	TRACK LENGTH	1ST SET		2ND SET		3RD SET	
6'0"	64" (1626 mm)	5	M	6	B	NA	
6'5"	69" (1753 mm)	3	B	6	M	NA	
6'8"	72" (1829 mm)	3	B	6	M	NA	
7'0"	76" (1930 mm)	3	B	7	T	NA	
7'3"	79" (2007 mm)	3	B	5	B	6	B
7'6"	82" (2083 mm)	3	B	5	B	6	B
7'9"	85" (2159 mm)	3	B	5	B	6	B
8'0" 4-SEC	88" (2235 mm)	3	M	6	T	7	M
8'0" 5-SEC	88" (2235 mm)	3	B	7	T	8	T

B= BOTTOM HOLE, M= MIDDLE HOLE, T= TOP HOLE

**5**

## Fully Adjustable Jamb Brackets

Tools: None

**NOTE:** If you have Quick Install jamb brackets, skip this step.

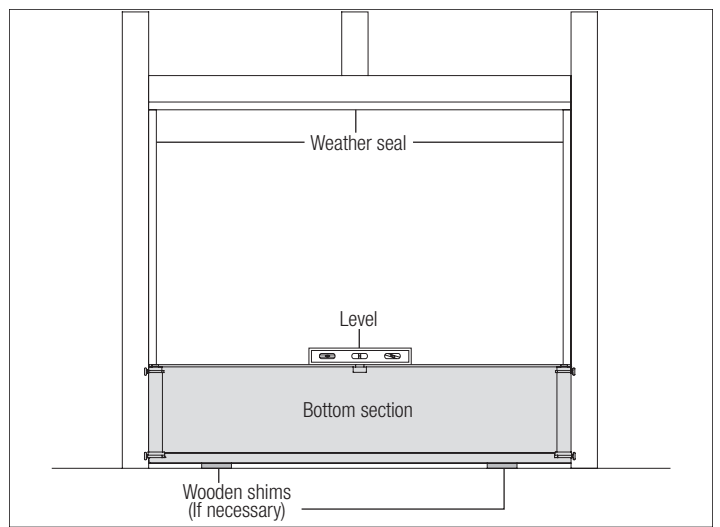
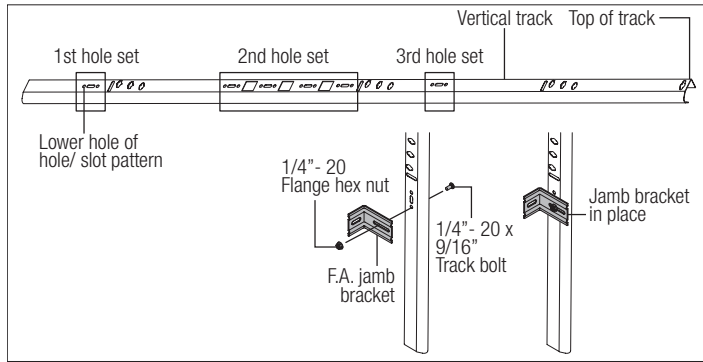
**NOTE:** If you have riveted track, skip this step.

**NOTE:** The bottom jamb bracket is always the shortest bracket, while the center jamb bracket is the next tallest. If three jamb brackets per side are included with your door, you will have received a top jamb bracket, which is the tallest.

To attach the bottom jamb bracket, locate lower hole of the hole/ slot pattern of the 1st hole set on the vertical track. Align the slot in the jamb bracket with the lower hole of the hole/ slot pattern. Secure jamb bracket using (1) 1/4" - 20 x 9/16" track bolt and (1) 1/4" - 20 flange hex nut. Repeat for other side.

Place the center jamb bracket over the lower hole of the hole/ slot pattern that is centered between the bottom jamb bracket and flag angle of the 2nd hole set. Secure jamb bracket using (1) 1/4" - 20 x 9/16" track bolt and (1) 1/4" - 20 flange hex nut. Repeat for other side.

If a top jamb bracket was included, secure it to vertical track using the lower hole of the hole/slot pattern in the 3rd hole set and (1) 1/4"-20 x 9/16" track bolt and (1) 1/4"-20 flange hex nut. Repeat for other side.



## 6

### Cable Drum Assemblies and Track Rollers

Tools: Tape Measure

**NOTE:** Refer to door section identification, located in the pre-installation section of this manual or refer to Parts Breakdown on page 2.

## WARNING

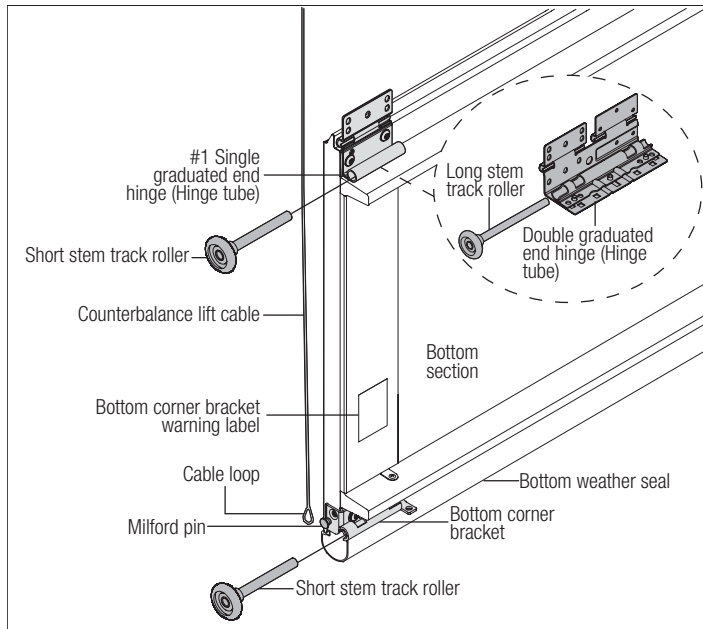
**FAILURE TO ENSURE TIGHT FIT OF CABLE LOOP OVER MILFORD PIN COULD RESULT IN COUNTERBALANCE LIFT CABLE COMING OFF THE PIN, ALLOWING THE DOOR TO FALL, POSSIBLY RESULTING IN SEVERE OR FATAL INJURY.**

Uncoil the counterbalance lift cables. Starting on the left hand side, place the left hand cable loop on the left hand milford pin of the bottom corner bracket. Insert a short stem track roller into the bottom corner brackets and another into the #1 graduated end hinges at the top of the bottom section.

**NOTE:** Check to ensure cable loops fits tightly over the milford pins.

**NOTE:** Larger doors will use long stem track rollers with double graduated end hinges.

**NOTE:** Verify bottom weather seal is aligned with bottom section. If there is more than 1/2" excess weather seal on either side, trim weather seal even with bottom section.



## 7

### Bottom Section

Tools: Level, Wooden shims (if necessary)

Center the bottom section in the door opening. Level the section using wooden shims (if necessary) under the bottom section.

## 8

### Vertical Tracks

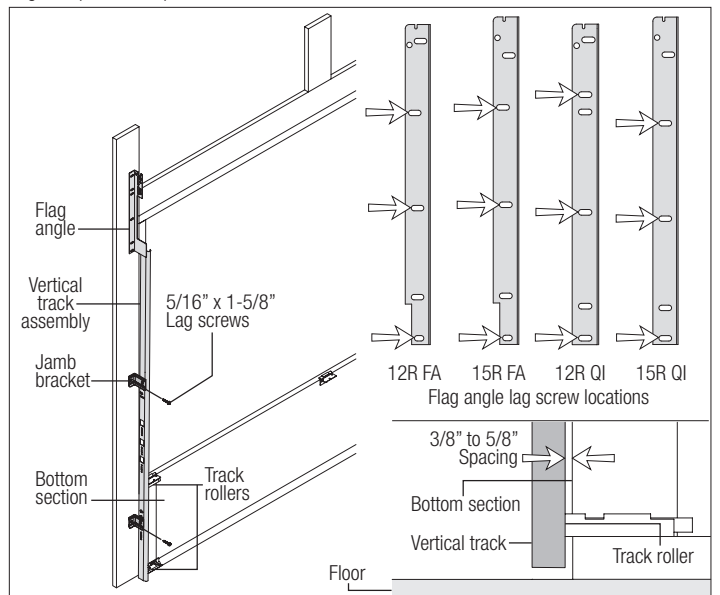
Tools: Power Drill, 3/16" Drill bit, 7/16" Socket driver, Tape measure, Level, Step ladder

**IMPORTANT:** IF YOUR DOOR IS TO BE INSTALLED PRIOR TO A FINISHING CONSTRUCTION OF THE BUILDING'S FLOOR, THE VERTICAL TRACKS AND THE DOOR BOTTOM SECTION ASSEMBLY SHOULD BE INSTALLED SUCH THAT WHEN THE FLOOR IS CONSTRUCTED, NO DOOR OR TRACK PARTS ARE TRAPPED IN THE FLOOR CONSTRUCTION.

**IMPORTANT:** THE TOPS OF THE VERTICAL TRACKS MUST BE LEVEL FROM SIDE TO SIDE. IF THE BOTTOM SECTION WAS SHIMMED TO LEVEL IT, THE VERTICAL TRACK ON THE SHIMMED SIDE MUST BE RAISED THE HEIGHT OF THE SHIM.

Position the left hand vertical track assembly over the track rollers of the bottom section. Make sure the counterbalance lift cable is located between the track rollers and the door jamb. Drill 3/16" pilot holes into the door jamb for the lag screws.

Loosely fasten jamb brackets and flag angle to the jamb using 5/16" x 1-5/8" lag screws. Tighten lag screws, securing the bottom jamb bracket to jamb, maintain 3/8" to 5/8" spacing, between the bottom section and vertical track. Hang counterbalance lift cable over flag angle. Repeat same process for other side.



## 9

### Stacking Sections

Tools: Power drill, 7/16" Socket driver

**NOTE:** The sections can be identified by the graduation of the factory installed end hinges. The smallest graduated end hinge on section should be stacked on top of the bottom section, with each graduated end hinge increasing as the sections are stacked, see Parts Breakdown on page 2.

**NOTE:** Make sure graduated end and center hinges are flipped down, when stacking another section on top.

**NOTE:** Larger doors will use long stem track rollers with double graduated end hinges.

Place track rollers into graduated end hinges of remaining sections.

With assistance, lift second section and guide the track rollers into the vertical tracks. Lower

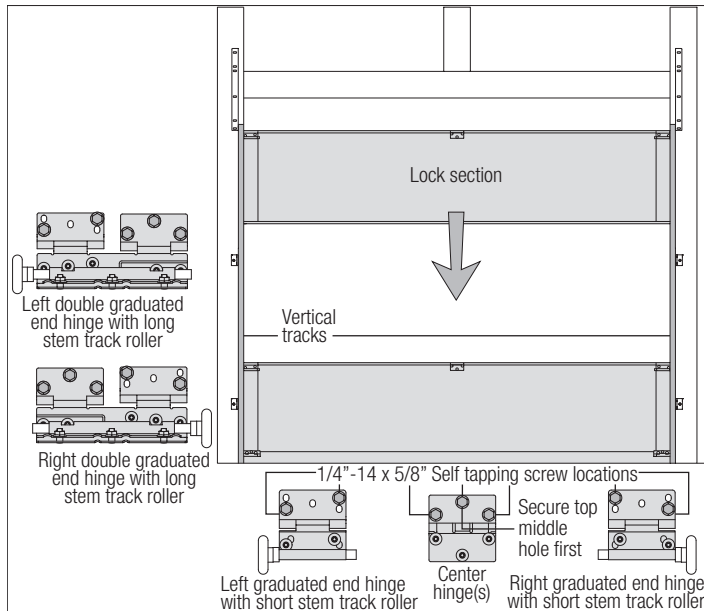
section until it is seated against bottom section. Align vertical marks in the upper alignment sticker, with the lower alignment sticker on right hand side, on the back of door. Keep sections aligned and fasten center hinge(s) first; then end hinges last using 1/4"-14 x 5/8" self tapping screws.

**NOTE:** To prevent center hinge leaf(s) from rotating, first secure the top middle hole of the center hinge leaf with one 1/4" - 14 x 5/8" self-tapping screw then secure the other two holes.

**NOTE:** Larger doors with double graduated end hinges, fasten both hinges to connect the sections using 1/4" - 14 x 5/8" self-tapping screws.

Repeat same process for other sections, except top section.

**IMPORTANT:** PUSH & HOLD THE HINGE LEAFS SECURELY AGAINST THE SECTIONS WHILE SECURING WITH 1/4"-14 X 5/8" SELF TAPPING SCREWS. THERE SHOULD BE NO GAP BETWEEN THE HINGE LEAFS AND THE SECTIONS.

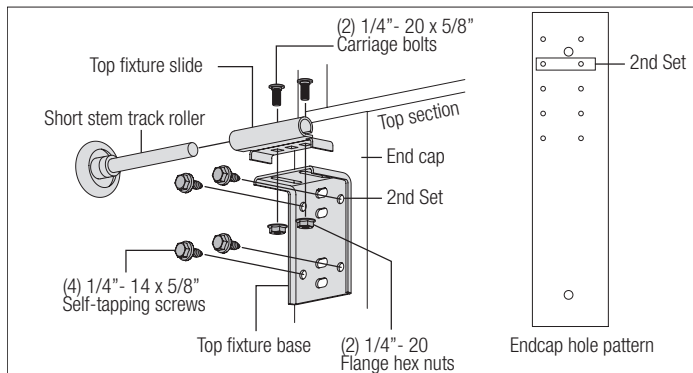


10

### Top Fixtures

Tools: Power drill, 7/16" Socket driver

To install the top fixtures, align the top holes in the top fixture base with the second set of holes in the end cap of the top section. Fasten to section using (4) 1/4"-14 x 5/8" self tapping screws. Secure the top fixture slide to the fixture base loosely using (2) 1/4"-20 x 5/8" carriage bolts and (2) 1/4"-20 flange hex nuts. The top fixture slide will be tightened and adjusted later, in step, Adjusting Top Fixture. Insert track roller into top fixture slide. Repeat for other side.



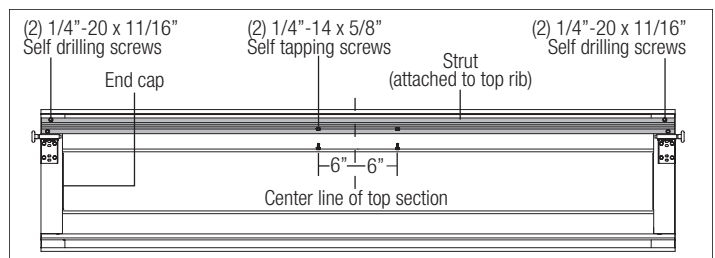
11

### Strut (U-shaped)

Tools: Power drill, 7/16" Socket driver, Tape measure

**NOTE:** If a strut (U-shaped) is supplied, complete this step.

Place the 3" strut over the top rib of the top door section. Fasten each end of the strut to the end cap with (2) 1/4" - 20 x 11/16" self drilling screws. Fasten center of the strut as shown to the rib using (2) 1/4"-14 x 5/8" self tapping screws, one 6" to the left and one 6" to the right of the center line of the top door section.



12

### Strut (A-symmetrical)

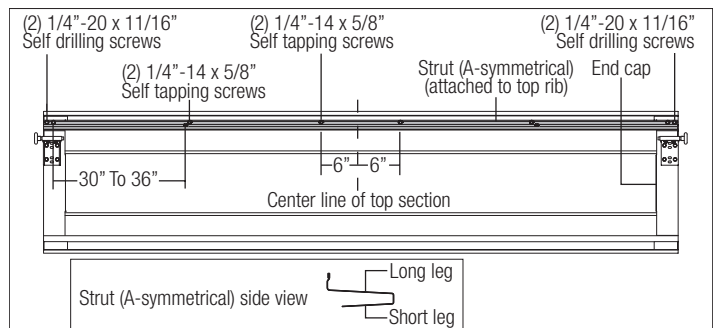
Tools: Power drill, 7/16" Socket driver, Tape measure

**NOTE:** If an a-symmetrical strut is supplied, complete this step.

Place the a-symmetrical strut over the top rib of the top door section. Fasten each end of the a-symmetrical strut to the end cap with (2) 1/4"-20 x 11/16" self drilling screws. Fasten center of the a-symmetrical strut to the rib using (2) 1/4"-14 x 5/8" self tapping screws, one 6" to the left and one 6" to the right of the center line of the top door section.

Fasten both wall and the long leg of the a-symmetrical strut, as shown using (2) 1/4" - 14 x 5/8" self tapping screws every 30-36 inches. (Approximately 18 self tapping screws per 18' a-symmetrical strut)

**IMPORTANT:** WHEN SECURING THE A-SYMMETRICAL STRUT TO THE TOP SECTION, IT IS RECOMMENDED NOT TO INSTALL ANY FASTENERS INTO THE SHORT LEG OF THE A-SYMMETRICAL STRUT.



13

### Drawbar Operator Bracket

Tools: Power drill, 7/16" Socket driver, Phillips head screwdriver, Vice clamps, Tape measure

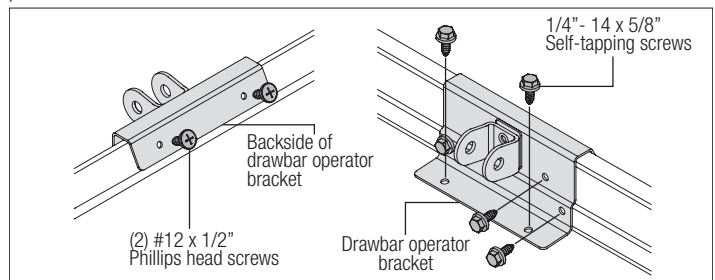
**NOTE:** If you're installing a drawbar operator, the drawbar operator bracket must be mounted and secured prior to installing top section.

**IMPORTANT:** WHEN CONNECTING A DRAWBAR OPERATOR TYPE GARAGE DOOR OPENER TO THIS DOOR, A WAYNE-DALTON OPERATOR/ DRAWBAR OPERATOR BRACKET MUST BE SECURELY ATTACHED TO THE TOP SECTION OF THE DOOR, ALONG WITH ANY STRUT PROVIDED WITH THE DOOR. THE INSTALLATION OF THE DRAWBAR OPERATOR MUST BE ACCORDING TO MANUFACTURER'S INSTRUCTIONS AND FORCE SETTINGS MUST BE ADJUSTED PROPERLY.

Prior to installing the top section, locate the center of the top section and seat the drawbar operator bracket on top of the top section. For retro fit applications, the drawbar operator bracket must be aligned with an existing drawbar operator and positioned on top section so it bridges the transition point of the section thickness. Install (2) #12 x 1/2" phillips head screws on the back side of drawbar operator bracket. Clamp drawbar operator bracket to strut (if supplied) with vice clamps. Attach (5) 1/4" - 14 x 5/8" self-tapping screws to the drawbar operator bracket. Remove vice clamps.

**NOTE:** If a strut was installed, you can use two of the 1/4" - 20 x 11/16" self-drilling screws previously used to attach the strut instead of two 1/4"-14 x 5/8" self-tapping screws when attaching drawbar operator bracket to strut.

**NOTE:** When attaching drawbar operator bracket to top section with strut, apply additional pressure to thread into the strut.





14

**Top Section**

Tools: Hammer, Step ladder, Tape measure

Place the top section in the opening. Temporarily secure the top section by driving a nail into the header near the center of the door and bending it over the top section. Now, flip up the graduated end and center hinge leaves, hold tight against section, and fasten center hinges first and end hinges last (refer to step, Stacking Sections). Vertical track alignment is critical. Position flag angle between 1-11/16" (43 mm) to 1-3/4" (44 mm) from the edge of the door; tighten the bottom lag screw. Flag angles must be parallel to the door sections. Repeat same process for other side.

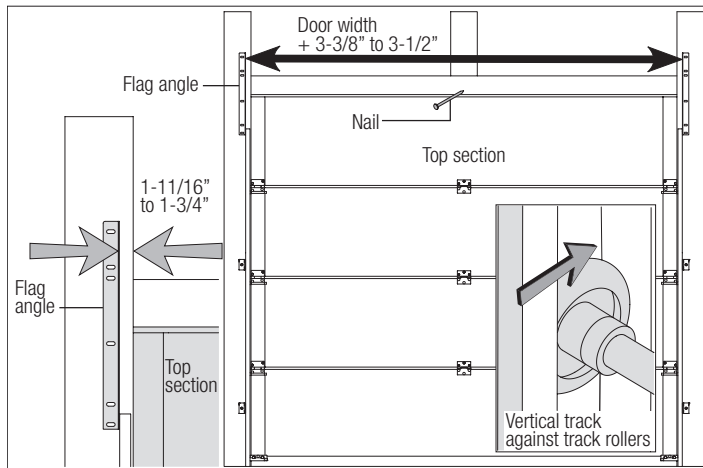
**IMPORTANT:** THE DIMENSION BETWEEN THE FLAG ANGLES MUST BE DOOR WIDTH PLUS 3-3/8" (86MM) TO 3-1/2" (89 MM) FOR SMOOTH, SAFE DOOR OPERATION.

**FOR QUICK INSTALL TRACK:**

Complete the vertical track installation by securing the jamb bracket(s) and tightening the other lag screws. Repeat for other side.

**FOR FULLY ADJUSTABLE TRACK:**

Complete the vertical track installation by securing the jamb bracket(s) and tightening the other lag screws. Push the vertical track against the track rollers so that the track rollers are touching the deepest part of the curved side of the track; tighten all the track bolts and nuts. Repeat for other side.



15

**Horizontal Tracks/Q.I. Flag Angles**

Tools: Ratchet wrench, 9/16" Socket, 9/16" Wrench, level, Step ladder

**NOTE:** If you have Quick Install flag angles, complete this step.

To install horizontal track, place the curved end over the top track roller of the top section. Align key slot of the horizontal track with the Quick Install tab of the flag angle. Push curved portion of horizontal track down to lock in place.

**WARNING**

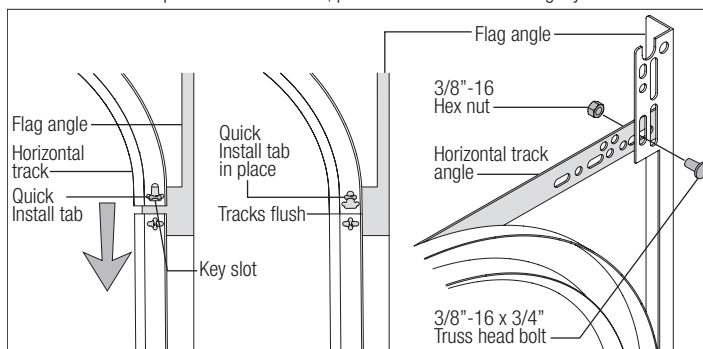
**DO NOT RAISE DOOR UNTIL HORIZONTAL TRACKS ARE SECURED AT REAR, AS OUTLINED IN STEP, REAR BACK HANGS, OR DOOR COULD FALL FROM OVERHEAD POSITION CAUSING SEVERE OR FATAL INJURY.**

Level the horizontal track assembly and bolt the horizontal track angle to the first encountered slot in the flag angle using (1) 3/8"-16 x 3/4" truss head bolt and (1) 3/8"-16 hex nut. Repeat for other side.

Remove the nail that was temporarily holding the top section in place, installed in step, Top Section.

**IMPORTANT:** FAILURE TO REMOVE NAIL BEFORE ATTEMPTING TO RAISE DOOR COULD CAUSE PERMANENT DAMAGE TO TOP SECTION.

**NOTE:** If an idrive® opener will be installed, position horizontal tracks slightly above level.



16

**Horizontal Tracks/F.A. Flag Angles**

Tools: Ratchet wrench, 7/16" Socket, 9/16" Socket, 9/16" Wrench, level, Step ladder

**NOTE:** If you have Fully Adjustable flag angles, complete this step.

To install horizontal track, place the curved end over the top track roller of the top section. Align the bottom of the horizontal track with the top of the vertical track. If you have Quick Install horizontal track, tighten the horizontal track to the flag angle with a stud plate and (2) 1/4"-20 flange hex nuts. If you have Universal horizontal track, tighten the horizontal track to the flag angle with (2) 1/4"-20 x 9/16" track bolts and (2) 1/4"-20 flange hex nuts.

**WARNING**

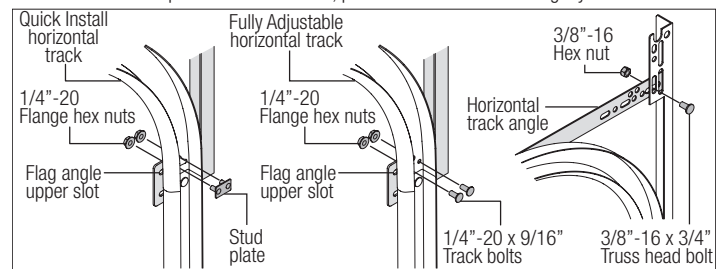
**DO NOT RAISE DOOR UNTIL HORIZONTAL TRACKS ARE SECURED AT REAR, AS OUTLINED IN STEP, REAR BACK HANGS, OR DOOR COULD FALL FROM OVERHEAD POSITION CAUSING SEVERE OR FATAL INJURY.**

Level the horizontal track assembly and bolt the horizontal track angle to the first encountered slot in the flag angle using (1) 3/8"-16 x 3/4" truss head bolt and (1) 3/8"-16 hex nut. Repeat for other side.

Remove the nail that was temporarily holding the top section in place, installed in step, Top Section.

**IMPORTANT:** FAILURE TO REMOVE NAIL BEFORE ATTEMPTING TO RAISE DOOR COULD CAUSE PERMANENT DAMAGE TO TOP SECTION.

**NOTE:** If an idrive® opener will be installed, position horizontal tracks slightly above level.

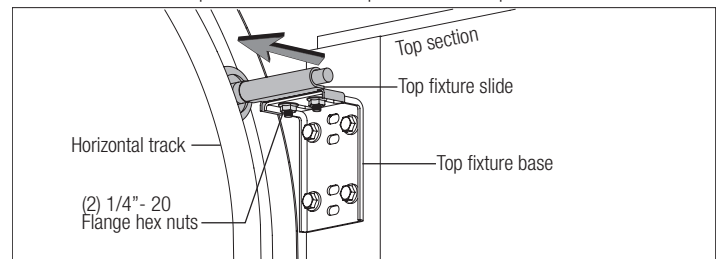


17

**Adjusting Top Fixtures**

Tools: 7/16" Wrench, Step ladder

With horizontal tracks installed, you can now adjust the top fixtures. Vertically align the top section of the door with the lower sections. Once aligned, position the top fixture slide, out against the horizontal track. Maintaining the slide's position, tighten the (2) 1/4"-20 flange hex nuts to secure the top fixture slide to the top fixture base. Repeat for other side.



18

**Rear Back Hangs**

Tools: Ratchet wrench, Socket: 1/2" 5/8", Wrench: 1/2" 5/8", (2) Vice clamps, Tape measure, Level, Hammer, Step Ladder

Raise the door until the top section and half of the next section are in a horizontal position. Do not raise door any further since rear of horizontal tracks are not yet supported.

**WARNING**

**RAISING DOOR FURTHER CAN RESULT IN DOOR FALLING AND CAUSE SEVERE OR FATAL INJURY.**

Clamp a pair of vice clamps onto the vertical tracks just above the second roller on one side, and just below the second track roller on the other side. This will prevent the door from raising or lowering while installing the rear back hangs.

Using perforated angle (may not be supplied), (2) 5/16" x 1-5/8" hex head lag screws and (3) 5/16" bolts with nuts (may not be supplied), fabricate rear back hangs for the horizontal tracks. Attach horizontal tracks to the rear back hangs with 5/16"-18 x 1 hex bolts and nuts (may not be supplied). Horizontal tracks must be level and parallel with door within 3/4" to 7/8" maximum of door edge.

# WARNING

**KEEP HORIZONTAL TRACK PARALLEL AND WITHIN 3/4" TO 7/8" MAXIMUM OF DOOR EDGE, OTHERWISE DOOR COULD FALL, RESULTING IN SEVERE OR FATAL INJURY.**

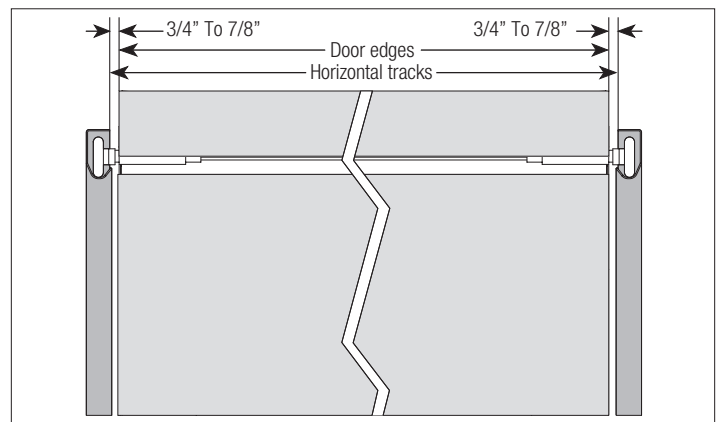
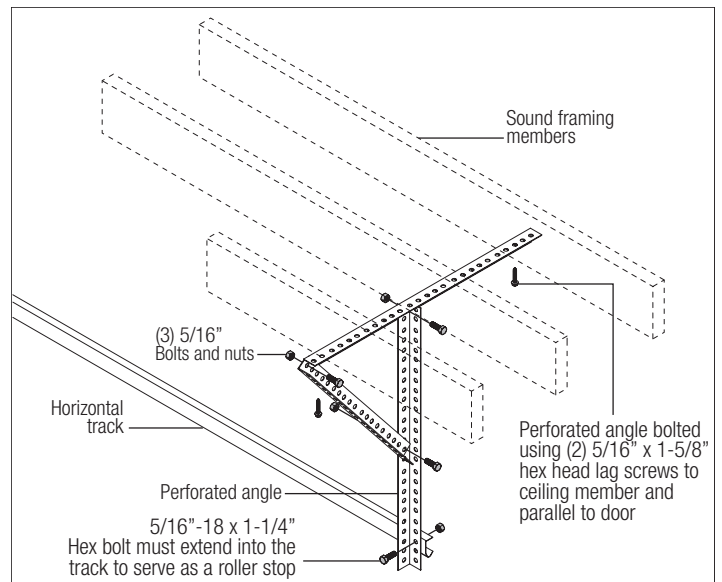
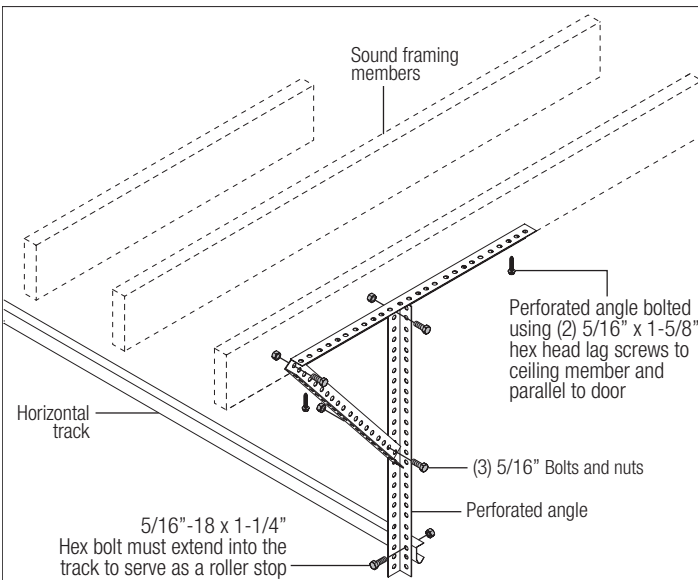
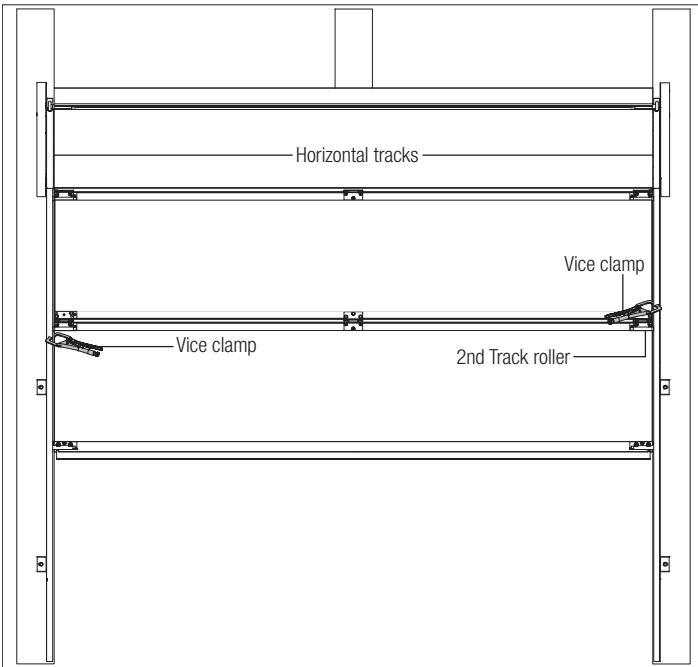
**IMPORTANT:** DO NOT SUPPORT THE WEIGHT OF THE DOOR ON ANY PART OF THE HORIZONTAL TRACK HANGER THAT CANTILEVERS 4" OR MORE BEYOND A SOUND FRAMING MEMBER.

**NOTE:** If rear back hangs are to be installed over drywall, use (2) 5/16" x 2" hex head lag screws and make sure lag screws engage into solid structural lumber.

**NOTE:** 26" angle must be attached to sound framing members and nails should not be used.

Now, permanently attach the weatherstrips on both door jambs and header. The weatherstrips were temporarily attached in Preparing the Opening, in the pre-installation section of this manual.

**NOTE:** When permanently attaching the weatherstrips to the jambs, avoid pushing the weatherstrips too tightly against the face of door.



## 19

### Attaching Front Cable Lift Sheaves

Tools: 3/8" Wrench

Using (1) 3/8"-16 hex nut, attach the front cable lift sheave in the appropriate hole (left hand shown).

**IF YOU HAVE 3" FRONT CABLE LIFT SHEAVE AND A 12" RADIUS HORIZONTAL TRACK:**

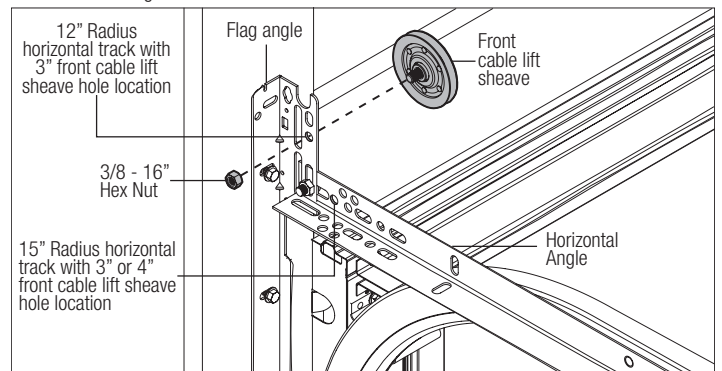
Bolt the front cable lift sheave to the 13/32" hole near the top of the flag angle, as shown.

**IF YOU HAVE 3" OR 4" FRONT CABLE LIFT SHEAVE AND A 15" RADIUS HORIZONTAL TRACK:**

Bolt the front cable lift sheave to the first 13/32" hole in the horizontal angle, as shown.

Repeat for other side.

Remove the locking pliers from the vertical tracks. With assistance, raise the door slowly into the open position making sure the door travels smoothly through the tracks. Clamp locking pliers to the back leg of both horizontal tracks, below the bottom track rollers to keep the door from lowering.



## Attaching Extension Springs

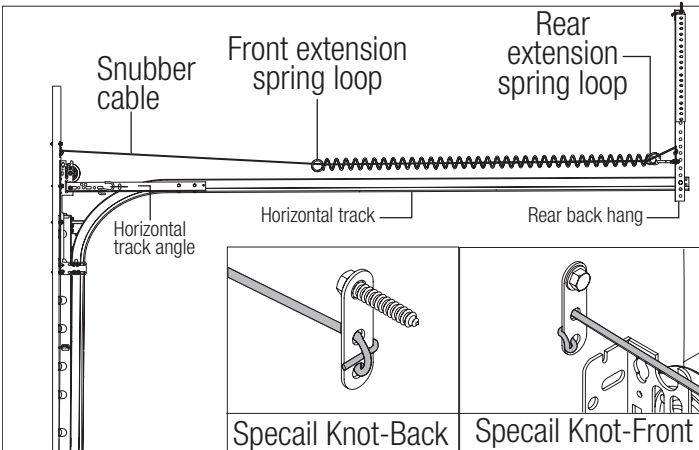
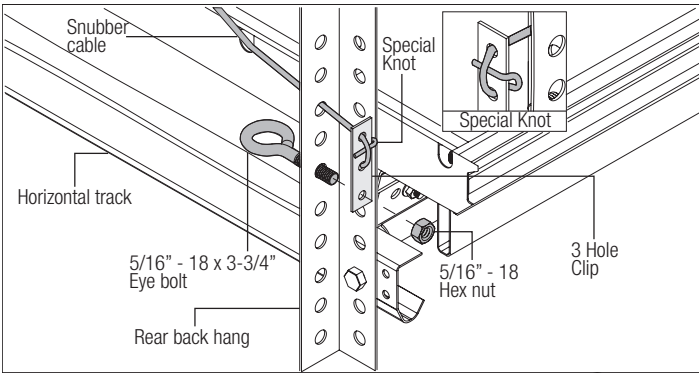
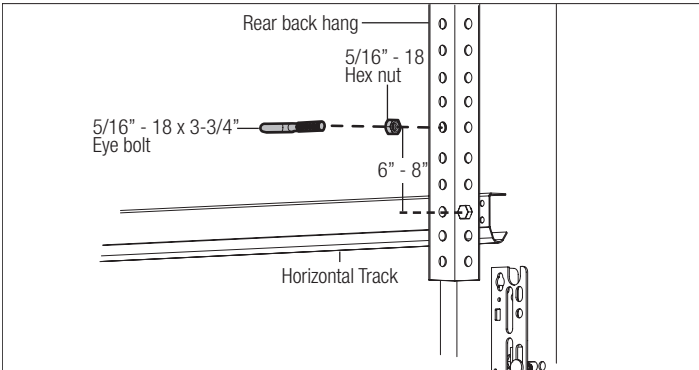
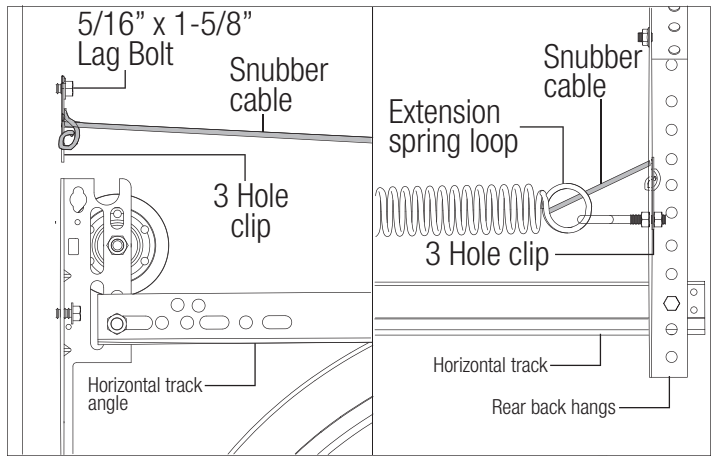
Tools: 3/8" Wrench

Position (1) 5/16"-18 x 3-3/4" eye bolt and (1) 5/16"-18 hex nut in the rear back hang, 6" to 8" above the horizontal track, as shown. Feed the snubber cable through the rear back hang and tie the special knot around the "room side" of the 3 hole clip, as shown. Secure the eye bolt and 3 hole clip to the rear back hang with (1) 5/16" - 18 hex nut. Hook one end of the extension spring onto the eye bolt. Feed the snubber cable through the rear extension spring loop and center of the extension spring then front spring loop, pull the snubber cable taut and tie the special knot around the "jamb side" of the 3 hole clip. Attach the "jamb side" 3 hole clip to the jamb near the flag angle with (1) 5/16" x 1-5/8" lag bolt.

**NOTE:** Snubber cables must be taut.

### WARNING

**FAILURE TO INSTALL SNUBBER CABLES CAN RESULT IN SEVERE OR FATAL INJURY IN CASE OF SPRING BREAKAGE.**



## Attaching Spring Sheaves

Tools: 3/8" Wrench

Hook the sheave fork through the front loop of the extension spring and attach the sheave fork to the rear cable lift sheave using (1) 3/8"-16 x 1-1/4" hex head bolt and (1) 3/8"-16 hex nut.

Thread the counterbalance lift cable over the front cable lift sheave and around the rear cable lift sheave and tie the special knot around the "horizontal angle" using a 3 hole clip, as shown.

Insert one end of the large "S" hook into the "horizontal angle" with the 3 hole clip and the other end into the second slot of the horizontal angle, as shown.

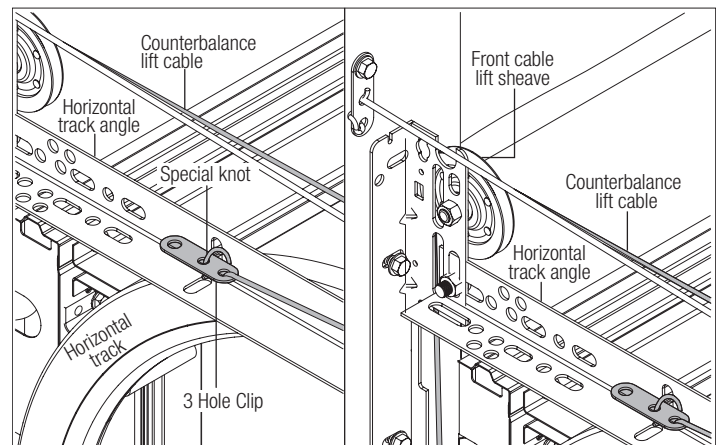
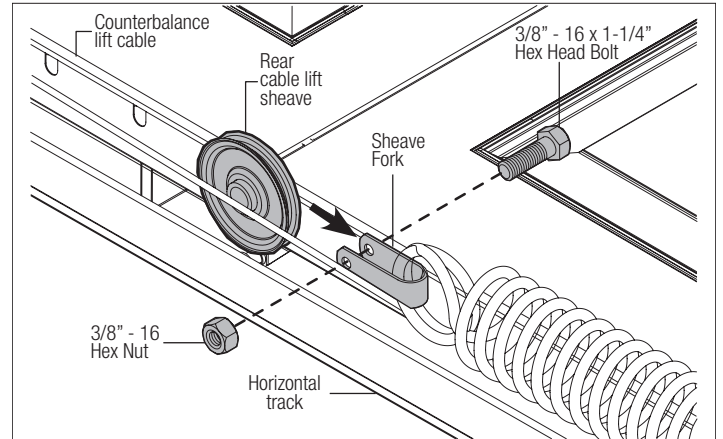
Repeat for the other side.

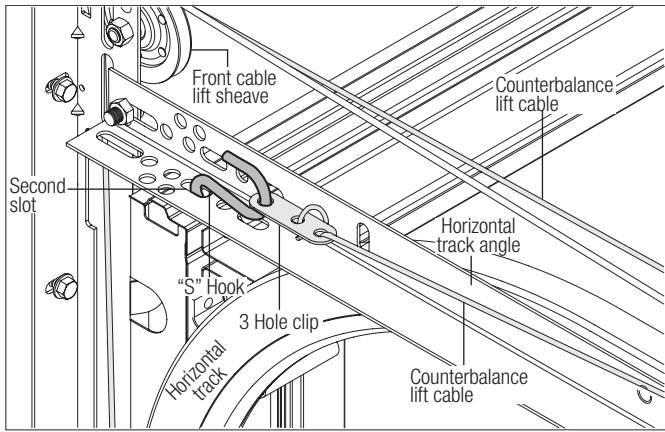
**IMPORTANT:** CLOSE "S" HOOKS AND EYE BOLTS TO PREVENT SPRINGS FROM COMING LOOSE.

### WARNING

**FAILURE TO CLOSE "S" HOOKS AND EYE BOLTS CAN RESULT IN SEVERE OR FATAL INJURY IF SPRINGS COME LOOSE.**

**NOTE:** Some larger doors feature 2 pairs of extension springs. A snubber cable must be installed through each spring.





## 23

### Final Adjustments

Tools: None

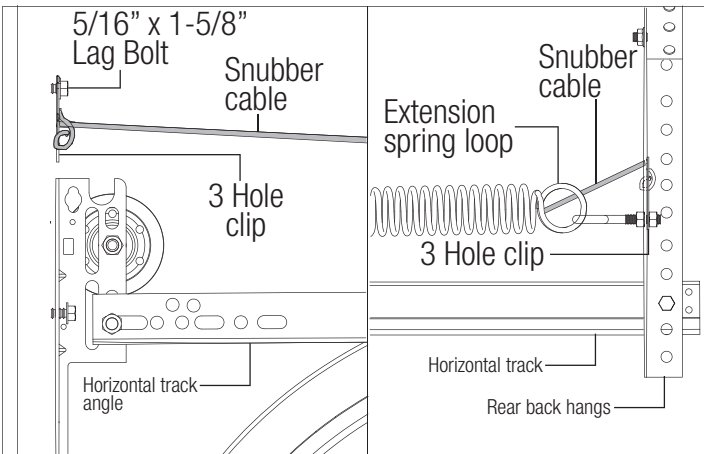
Now lift the door and check its balance. If the door is hard to pull down or lifts by itself, adjust extension spring length by moving the "S" hook backward (towards the rear back hangs) to a different hole in the horizontal angle.

If the door is difficult to lift or too easy to pull down, adjust extension spring length by moving the "S" hook forward (towards the header) to a different hole in the horizontal angle.

**IMPORTANT:** WHENEVER ADJUSTING EXTENSION SPRING LENGTH FOR DOOR BALANCE, ALWAYS OPEN THE DOOR TO THE FULLY OPEN POSITION AND RETURN THE LOCKING PLIERS TO THE HORIZONTAL TRACKS BELOW THE BOTTOM TRACK ROLLERS.

If the door still does not operate easily, lower the door into the closed position and recheck the following items:

- 1.) Check the door for level.
- 2.) Check the distance between flag angles – must be door width plus 3-3/8" + 1/4" – 0".
- 3.) Check the counterbalance lift cables for equal tension- adjust by re-tying the special knot.



## 22

### Cable Adjustments

Tools: None

Adjust counterbalance lift cables to create about 1" to 2" (25 mm to 50 mm) of initial extension spring stretch, with the door in the fully opened position.

Measure relaxed extension spring length for your door height and verify with chart. Spring length must be the same for both extension springs to allow even door balance.

Carefully remove the locking pliers from the horizontal track and lower the door into the closed position.

Once the door is closed, measure the extension spring length in tension for both sides. Using the chart, verify the spring length in tension, is correct with your door height.

**NOTE:** It may be necessary to adjust spring length for proper door balance.

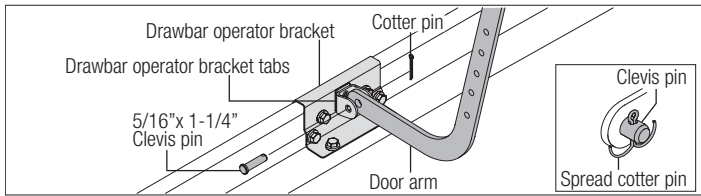
DOOR HEIGHT	Spring Length Relaxed (Door Open)	Spring Length Extended (Door Closed)
<b>6'0"</b>	<b>25"</b> (635 mm)	<b>61"</b> (1549 mm)
<b>6'3"</b>	<b>25"</b> (635 mm)	<b>62.5"</b> (1588 mm)
<b>6'6"</b>	<b>25"</b> (635 mm)	<b>64"</b> (1626 mm)
<b>7'0"</b>	<b>25"</b> (635 mm)	<b>67"</b> (1702 mm)
<b>7'6"</b>	<b>27"</b> (686 mm)	<b>72"</b> (1829 mm)
<b>7'9"</b>	<b>27"</b> (686 mm)	<b>73.5"</b> (1867 mm)
<b>8'0"</b>	<b>27"</b> (686 mm)	<b>75"</b> (1905 mm)

## Optional Installation

### Door Arm Hookup

Tools: Needle nose pliers

Align hole in the door arm with holes in drawbar operator bracket tabs, as shown. Insert 5/16" x 1-1/4" clevis pin, making sure hole in clevis pin is outside of second tab of drawbar operator bracket. Insert hairpin cotter into clevis pin hole and spread hairpin cotter to secure assembly, as shown.



### Trolley Arm Configuration

Tools: Tape measure, Level

Measure the horizontal radius of the horizontal track to determine if you have a 12" or 15" radius horizontal track, as shown in FIG 1; if you have a low headroom door skip this step. Determine center line of the door. Mark vertical line at this point on the header, as shown in FIG 4. Raise the door slightly until the top section reaches the highest point of travel (high arc), as shown in FIG 2 and FIG 3 for low headroom. Using a level, mark this high arc point onto the header where it intersects the vertical center line, as shown in FIG 4. Hold the wall bracket's bottom edge 1/2" - 1" (room permitting) above the high arc line and centered on the vertical center line, as shown in FIG 4. Mark the wall bracket's mounting holes on the header wall and then refer to your garage door operator manual for pre-drilling and securing the wall bracket to header.

Using the operator hook-up charts, refer to the referenced illustrations for correct arm hook-up from trolley to drawbar operator bracket. For low headroom, refer to drawbar operator hook-up chart for low headroom.

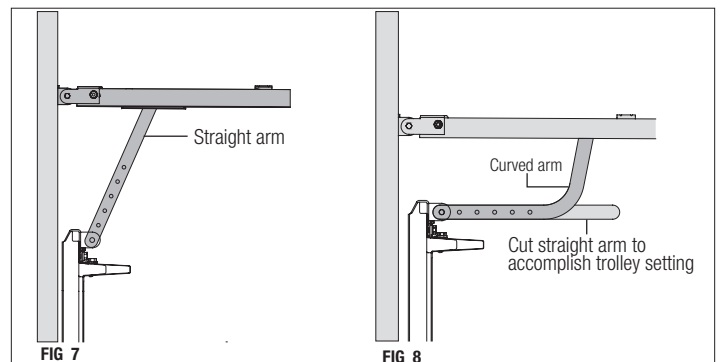
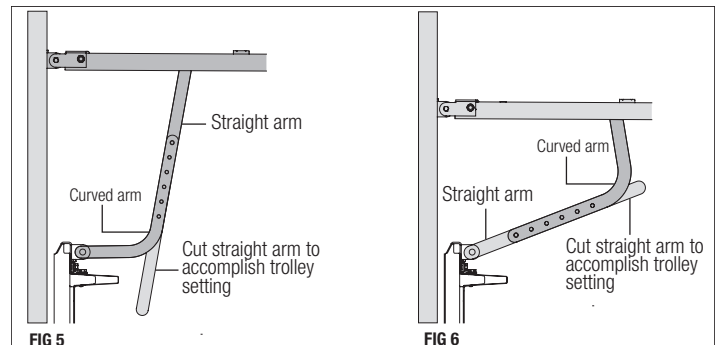
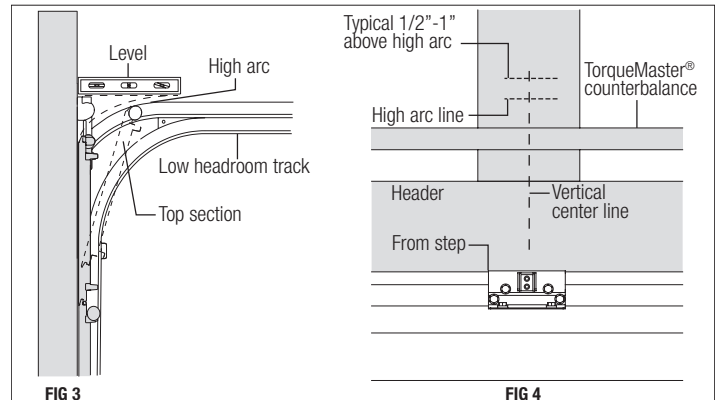
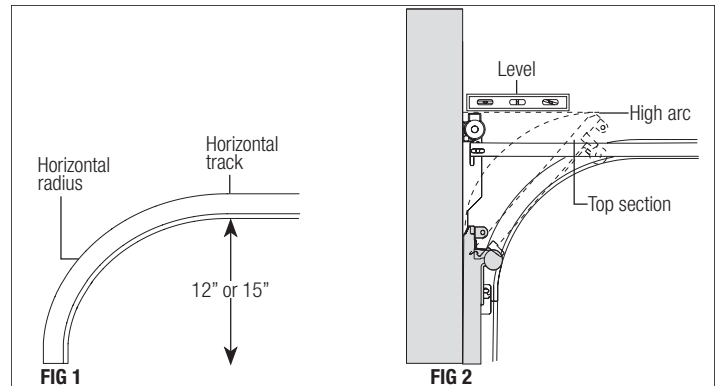
**NOTE:** Refer to your operator manual for specific details on how to assembly the curved and straight arm, as shown in FIG 5 and FIG 6, and FIG 7 and FIG 8 for low headroom.

**NOTE:** Depending on your setup, you may or may not have to cut straight arm to accomplish trolley settings.

Align hole in the appropriate arm with holes in drawbar operator bracket tabs, as shown in step, Trolley Arm Hookup. Insert 5/16" x 1-1/4" clevis pin, making sure hole in clevis pin is outside of second tab of drawbar operator bracket. Insert cotter pin into clevis pin hole and spread hairpin cotter to ensure it will secure assembly.

DRAWBAR OPERATOR HOOK-UP CHART, STANDARD LIFT FOR 12" AND 15" RADIUS		
OPERATOR MODELS	TYPE OF ARM BEING USED	REF. ILLUSTRATIONS
QUANTUM/CLASSIC	CURVED / STRAIGHT	FIG 6
LINEAR	STRAIGHT / CURVED	FIG 5
LIFTMASTER (SEARS)	CURVED / STRAIGHT	FIG 6
GENIE	CURVED / STRAIGHT	FIG 6 Or FIG 5

DRAWBAR OPERATOR HOOK-UP CHART FOR LOW HEADROOM				
OPERATOR MODELS	TYPE OF ARM BEING USED			
	PREFERRED HOOKUP	REF. ILLUSTRATIONS	OPTIONAL HOOK-UP	REF. ILLUSTRATIONS
QUANTUM / CLASSIC	CURVED / STRAIGHT	FIG. 8	STRAIGHT	FIG. 7
LINEAR	STRAIGHT	FIG. 7	N/A	N/A
LIFTMASTER (SEARS)	CURVED / STRAIGHT	FIG. 8	STRAIGHT	FIG. 7
GENIE	CURVED / STRAIGHT	FIG. 8	STRAIGHT	FIG. 7

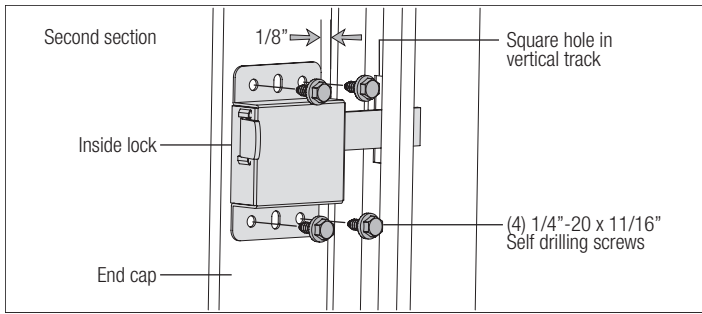


### Inside Lock

Tools: Power drill, 7/16" Socket driver, Tape measure

Install the inside lock on the second section of the door. Secure the lock to the section with (4) 1/4"-20 x 11/16" self drilling screws. Square the lock assembly with the door section, and align with the square hole in the vertical track. The inside lock should be spaced approximately 1/8" away from the section edge.

**IMPORTANT:** INSIDE LOCK(S) MUST BE REMOVED OR MADE INOPERATIVE IN THE UNLOCKED POSITION IF AN OPERATOR IS INSTALLED ON THIS DOOR.



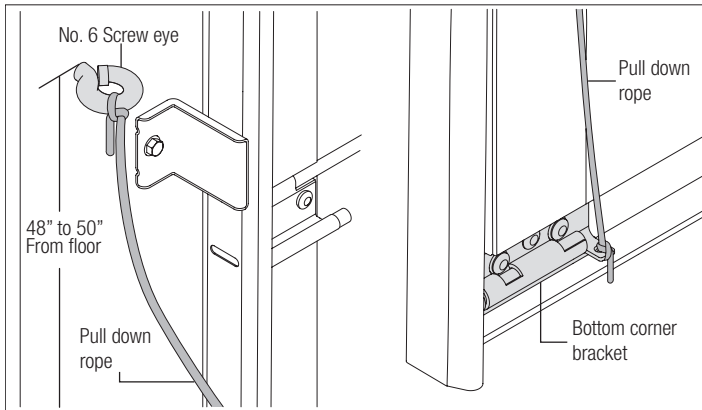
## Pull Down Rope

Tools: Power drill, 1/8" Drill bit, Tape measure

## WARNING

**DO NOT INSTALL PULL DOWN ROPE ON DOORS WITH OPERATORS. CHILDREN MAY BECOME ENTANGLED IN THE ROPE CAUSING SEVERE OR FATAL INJURY.**

Measure and mark the jamb approximately 48" to 50" (1220 to 1270 mm) from floor on the right or left side of jamb. Drill 1/8" pilot hole for no. 6 screw eye. Tie the pull down rope to the no. 6 screw eye and to the bottom corner bracket, as shown.



## Step Plate

Tools: Tape measure, Power drill, 7/16" Drill bit, 7/16" Wrench, Phillips head screwdriver

Make one mark 1" (25 mm) up from the center of bottom edge of the bottom section and another mark 2-3/16" (56 mm) up from the first mark.

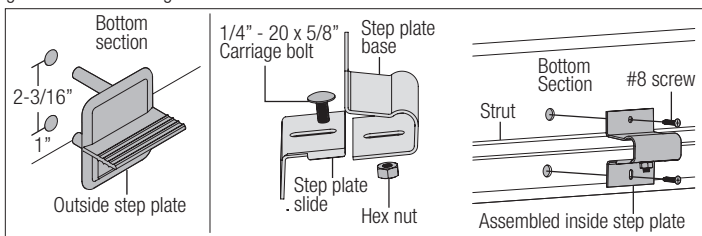
**NOTE:** Top of step plate can be no higher than 8" from the bottom of the door.

Drill a 7/16" (11 mm) hole through the section at each mark and insert the outside step plate. Loosely fasten step plate slide to base with (1) 1/4"-20 x 5/8" carriage bolt and nut. Align inside step plate holes and fasten from inside using the #8 screws provided. Install one #8 x 3/4" screw in the bottom step plate hole. The screw in the top hole varies with door models. Use the screw size shown below for your model door.

a) #8 x 3/4" screw for model 9100

b) #8 x 1" screw model 9400/9600

Tighten 1/4"-20 carriage bolt and nut.



## Cleaning Your Garage Door

**IMPORTANT:** DO NOT USE A PRESSURE WASHER ON YOUR GARAGE DOOR!

While factory-applied finishes on garage doors are durable, it is desirable to clean them on a routine basis. Some discoloration of the finish may occur when a door has been exposed to dirt-laden atmosphere for a period of time. Slight chalking may also occur as a result of direct exposure to sunlight.

Cleaning the door will generally restore the appearance of the finish. To maintain an aesthetically pleasing finish of the garage door, a periodic washing of the garage door is recommended.

**THE FOLLOWING CLEANING SOLUTION IS RECOMMENDED:**

A mild detergent solution consisting of one cup detergent (with less than 0.5% phosphate) dissolved into five gallons of warm water will aid in the removal of most dirt.

**NOTE:** The use of detergents containing greater than 0.5% phosphate is not recommended for use in general cleaning of garage doors.

**NOTE:** Be sure to clean behind weatherstrips on both sides and top of door.

**CAUTION:** NEVER MIX CLEANSERS OR DETERGENTS WITH BLEACH.

### GLASS CLEANING INSTRUCTIONS

Clean with a mild detergent solution (same as above) and a soft cloth. After cleaning, rinse thoroughly.

### ACRYLIC CLEANING INSTRUCTIONS

Clean acrylic glazing with nonabrasive soap or detergent and plenty of water. Use your bare hands to feel and dislodge any caked on particles. A soft, grit-free cloth, sponge or chamois may be used to wipe the surface. Do not use hard or rough cloths that will scratch the acrylic glazing. Dry glazing with a clean damp chamois.

**NOTE:** Do not use any window cleaning fluids, scouring compounds, gritty cloths or solvent-based cleaners of any kind.

## Painting Your Garage Door

### SURFACE PREPARATION FOR PAINTING

Wax on the surface must be removed or paint peeling/ flaking will result. To remove this wax, it will be necessary to lightly scuff the surface with a fine steel wool pad saturated with soapy water. A final wipe and rinse should be done with clean water only to remove any loose particles and any soapy film residue.

Surface scratches, which have not exposed the metal substrate, can be lightly buffed or sanded with 0000 steel wool or no. 400 sand paper to create a smoother surface. Care must be taken to not expose the substrate under the paint. Once the substrate is exposed, the likelihood for rusting is greatly increased.

If substrate is exposed, it must be treated to prevent rust from forming. Sand the exposed area lightly and paint with a high quality metal primer specifically intended for galvanized surfaces to protect the area from corrosion. Allow for drying time on primer can label before applying topcoat.

The surface of the factory-applied finish, that is being painted, must not be too smooth, or the paint will not adhere to it. It is advisable to test in an inconspicuous area, to evaluate adhesion. If poor adhesion is observed, surface preparation for painting the factory-applied finish must be repeated until desired results are achieved. Again, care must be taken to not expose the substrate under the paint.

### PAINTING

After surface has been properly prepared, it must be allowed to dry thoroughly, and then coated immediately with premium quality latex house paint. Follow paint label directions explicitly. Oil base or solvent base paints are not recommended. Please note that if substrate is exposed and not properly primed, painting with latex paint may cause accelerated rusting of the steel in the exposed area.

### NOTES:

1. Re-painting of finish painted steel doors cannot be warranted, as this condition is totally beyond the door manufacturer's control.
2. Consult a professional coatings contractor if in doubt about any of the above directions.
3. Follow directions explicitly on the paint container labels for proper applications of coatings and disposal of containers. Pay particular attention to acceptable weather and temperature conditions in which to paint.

## Operation and Maintenance

### OPERATING YOUR GARAGE DOOR...

Before you begin, read all warning labels affixed to the door and the installation instructions and owner's manual. When correctly installed, your Wayne-Dalton door will operate smoothly. Always operate your door with controlled movements. Do not slam your door or throw your door into the open position, this may cause damage to the door or its components. If your door has an electric opener, refer to the owner's manual to disconnect the opener before performing manual door operation below.

### Manual door operation:

For additional information on manual garage door operations go to [www.dasma.com](http://www.dasma.com) and reference TDS 165.

**IMPORTANT:** DO NOT PLACE FINGERS OR HANDS INTO SECTION JOINTS WHEN OPENING AND/OR CLOSING A DOOR. ALWAYS USE LIFT HANDLES / SUITABLE GRIPPING POINTS WHEN OPERATING THE DOOR MANUALLY.

Opening a Door: Make sure the lock(s) are in the unlocked position. Lift the door by using the lift handles / suitable gripping points only. Door should open with little resistance.

Closing a Door: From inside the garage, pull door downward using lift handles / gripping point only or a high friction area only. If you are unable to reach the lift handles/ suitable gripping points only, use pull down rope affixed to the side of door. Door should close completely with little resistance.

### Using an electric operator:

**IMPORTANT:** PULL DOWN ROPES MUST BE REMOVED AND LOCKS MUST BE REMOVED OR MADE INOPERATIVE IN THE UNLOCKED POSITION.

When connecting a drawbar (trolley type) garage door operator to this door, a drawbar operator and or drawbar operator bracket must be securely attached to the top section of the door, along with any struts provided with the door. Always use the drawbar operator and or drawbar operator bracket supplied with the door. To avoid possible damage to your door, Wayne-Dalton recommends reinforcing the top section on models 8000, 8100, 8200 and 9100 doors with a strut (may or may not be supplied). The installation of the drawbar operator must be according to manufacturer's instructions and force settings must be adjusted properly. Refer to the owner's manual supplied with your drawbar operator for complete details on installation, operation, maintenance and testing of the operator.

### MAINTAINING YOUR GARAGE DOOR...

Before you begin, read all warning labels affixed to the door and the installation instructions and owner's manual. Perform routine maintenance steps once a month, and have the door professionally inspected once a year. Review your Installation Instructions and Owner's Manual for the garage door. These instructions are available at no charge from Wayne-Dalton, A Division Of Overhead Door Corporation, P.O. Box 67, Mt. Hope, OH., 44660, or at [www.wayne-dalton.com](http://www.wayne-dalton.com). For additional information on garage door/operator maintenance go to [www.dasma.com](http://www.dasma.com) and reference TDS 151, 167 and 179.

### Monthly Inspections:

**1. Visual Inspection:** Closely inspect jambs, header and mounting surface. Any wood found not to be structurally sound must be replaced. Inspect the springs, counterbalance lift cables, track rollers, pulleys, rear back hangs and other door hardware for signs of worn or broken parts. Tighten any loose screws and/or bolts. Check exterior surface of the door sections for any minor cracks. Verify door has not shifted right or left in the opening. If you suspect problems, have a trained door system technician make the repairs.

## WARNING

**GARAGE DOOR SPRINGS, COUNTERBALANCE LIFT CABLES, BRACKETS, AND OTHER HARDWARE ATTACHED TO THE SPRINGS ARE UNDER EXTREME TENSION, AND IF HANDLED IMPROPERLY, CAN CAUSE SEVERE OR FATAL INJURY. ONLY A TRAINED DOOR SYSTEMS TECHNICIAN SHOULD ADJUST THEM, BY CAREFULLY FOLLOWING THE MANUFACTURER'S INSTRUCTIONS.**

## WARNING

**NEVER REMOVE, ADJUST, OR LOOSEN THE BOLTS, SCREWS AND/OR LAG SCREWS ON THE COUNTERBALANCE (END OR CENTER BEARING BRACKETS) SYSTEM OR BOTTOM CORNER BRACKETS OF THE DOOR. THESE BRACKETS ARE CONNECTED TO THE SPRING(S) AND ARE UNDER EXTREME TENSION. TO AVOID POSSIBLE SEVERE OR FATAL INJURY, HAVE ANY SUCH WORK PERFORMED BY A TRAINED DOOR SYSTEMS TECHNICIAN USING PROPER TOOLS AND INSTRUCTIONS.**

TorqueMaster® Plus Springs: Pawl knob(s) (located on the TorqueMaster® end brackets above the door) should be engaged to prevent the door from rapidly descending in case of spring failure or forceful manual operation.

Torsion Springs: The torsion springs (located above the door) should only be adjusted by a trained door systems technician. DO NOT attempt to repair or adjust torsion springs yourself.

Extension Springs: A restraining cable or other device should be installed on the extension spring (located above the horizontal tracks) to help contain the spring if it breaks.

**2. Door Balance:** Periodically test the balance of your door. If you have a garage door drawbar operator, use the release mechanism so you can operate the door by hand when doing this test. Start with the door in the fully closed position. Lift the door to check its balance. Adjust TorqueMaster® or Extension spring(s), if door lifts by itself (hard to pull down) or if door is difficult to lift (easy to pull down). DO NOT attempt to repair or adjust Torsion Springs yourself. To adjust TorqueMaster® or Extension spring(s), refer to your installation instructions and owner's manual. If in question about any of the procedures, do not perform the work. Instead, have it adjusted by a trained door systems technician.

## Lifetime Limited Warranty Models 9100, 9400, 9600

Subject to the terms and conditions contained in this Lifetime Limited Warranty, Wayne-Dalton, A Division Of Overhead Door Corporation (“Manufacturer”) warrants the sections of the door, which is described at the top of this page, **for as long as you own the door** against:

- i) The door becoming inoperable due to rust-through of the steel skin from the core of the door section, due to cracking, splitting, or other deterioration of the steel skin, or due to structural failure caused by separation or degradation of the foam insulation.
- ii) Peeling of the original paint on the door as a result of a defect in the original paint or in the application of the original paint coating, in cases where the door sections and the original paint: (a) have not been subjected to adverse atmospheric conditions or contaminants (such as salt water or other marine environment, or to toxic or abrasive substances, including those in the air); (b) have been maintained in compliance with Manufacturer’s recommendations; and (c) have not been subject to physical abrasion, impacted by a hard object, or punctured (including without limitation “paint rub” occurring in metal to metal contact and movement).

The Manufacturer warrants the garage door hardware (except springs) and the tracks of the above-described door, **for as long as you own the door**, against defects in material and workmanship, subject to all the terms and conditions below.

The Manufacturer warrants those component parts of the door not covered by the preceding provisions of this Lifetime Limited Warranty against defects in material and workmanship for a period of **ONE (1) YEAR** from the date of installation.

The Manufacturer warrants the factory-applied finish and the factory attached stiles against fading and cosmetic changes from the time of installation for **TWO (2) YEARS**. If the door is re-stained or re-painted, the **TWO (2) YEARS** warranty for the factory-applied finish is void. The Model 9400 factory attached stiles are warranted against peeling, cracking, chalking, or delamination from the time of installation for **TWO (2) YEARS**.

After a period of **TWENTY (20) YEARS**, from time of installation, replacement of Lifetime Limited Warranty materials will be pro-rated at 50 per cent of Manufacturer’s published list pricing at time of claim, and you must pay this amount.

This Limited Warranty is extended only to the person who purchased the product and continues to own the premises (where the door is installed) as his/her primary residence (“Buyer”). This Limited Warranty does not apply to residences other than primary, or to commercial or industrial installations, or to installations on rental property (even when used by a tenant as a residence). This Limited Warranty is not transferable to any other person (even when the premises is sold), nor does it extend benefits to any other person. As a result this warranty does NOT apply to any person who purchases this product from someone other than an authorized Wayne-Dalton dealer or distributor.

The Manufacturer will not be responsible for any damage attributable to improper storage, improper installation, or any alteration of the door or its components, abuse, damage from corrosive fumes or substances, salt spray or saltwater air, fire, Acts of God, failure to properly maintain the door, or attempt to use the door, its components or related products for other than its intended purpose and its customary usage. This Limited Warranty does not cover ordinary wear. This Limited Warranty will be voided if the original finish is painted over, unless Manufacturer’s preparation and painting instructions are followed explicitly. This Limited Warranty will be voided if any holes are drilled into the door, other than those specified by the Manufacturer.

**THIS LIMITED WARRANTY COVERS A CONSUMER PRODUCT AS DEFINED BY THE MAGNUSON-MOSS ACT. NO WARRANTIES, EXPRESS OR IMPLIED (INCLUDING BUT NOT LIMITED TO THE WARRANTY OF MERCHANTABILITY OR FITNESS FOR A PARTICULAR PURPOSE) WILL EXTEND BEYOND THE TIME PERIOD SET FORTH IN UNDERSCORED BOLD FACE TYPE IN THIS LIMITED WARRANTY, ABOVE.**

- Some States do not allow limitations on how long an implied warranty lasts, so the above limitations may not apply to you.

Any claim under this Limited Warranty must be made in writing, within the applicable warranty period, to the dealer from which the product was purchased. Unless the dealer is no longer in business, a written claim to the Manufacturer will be the same as if no claim had been made at all.

At the Manufacturer’s option, a service representative may inspect the product on site, or Buyer may be required to return the product to the Manufacturer at Buyer’s expense. Buyer agrees to cooperate with any representative of the Manufacturer and to give such representative full access to the product with the claimed defect and full access to the location of its installation.

If the Manufacturer determines that the claim is valid under the terms of this Limited Warranty, the Manufacturer will repair or replace the defective product. The decision about the manner in which the defect will be remedied will be at the discretion of the Manufacturer, subject to applicable law. **THE REMEDY WILL COVER ONLY MATERIAL. THIS LIMITED WARRANTY DOES NOT COVER OTHER CHARGES, SUCH AS FIELD SERVICE LABOR FOR REMOVAL, INSTALLATION, PAINTING, SHIPPING, ETC.**

Any repairs or replacements arranged by Manufacturer will be covered by (and subject to) the terms, conditions, limitations and exceptions of this Limited Warranty; provided, however, that the installation date for the repaired or replaced product will be deemed to be the date the original product was installed, and this Limited Warranty will expire at the same time as if there had been no defect. If a claim under this Limited Warranty is resolved in a manner other than described in the immediately preceding paragraph, then neither this Limited Warranty nor any other warranty from the Manufacturer will cover the repaired or replaced portion of the product.

**THE REMEDIES FOR THE BUYER DESCRIBED IN THIS LIMITED WARRANTY ARE EXCLUSIVE** and take the place of any other remedy. The liability of the Manufacturer, whether in contract or tort, under warranty, product liability, or otherwise, will not go beyond the Manufacturer’s obligation to repair or replace, at its option, as described above. **THE MANUFACTURER WILL NOT UNDER ANY CIRCUMSTANCES BE LIABLE FOR SPECIAL, INCIDENTAL, OR CONSEQUENTIAL DAMAGES**, including (but not limited to) damage or loss of other property or equipment, personal injury, loss of profits or revenues, business or service interruptions, cost of capital, cost of purchase or replacement of other goods, or claims of third parties for any of the foregoing.

- Some States do not allow the exclusion or limitation of incidental or consequential damages, so the above limitation or exclusion may not apply to you.

No employee, distributor, dealer, representative, or other person has the authority to modify any term or condition contained in this Limited Warranty or to grant any other warranty on behalf of or binding on the Manufacturer, and anyone’s attempt to do so will be null and void.

Buyer should be prepared to verify the date of installation to the satisfaction of the Manufacturer.

The rights and obligations of the Manufacturer and Buyer under this Limited Warranty will be governed by the laws of the State of Ohio, USA, to the extent permitted by law.





Covered by one or more of the following Patents; 5,408,724; 5,409,051; 5,419,010; 5,495,640; 5,522,446; 5,562,141; 5,566,740; 5,568,672; 5,718,533; 6,019,269; 6,089,304; 6,644,378; 6,374,567; 6,561,256; 6,527,037; 6,640,872; 6,672,362; 6,725,898; 6,843,300; 6,915,573; 6,951,237; 7,014,386; 7,036,548; 7,059,380; 7,121,317; 7,128,123; 7,134,471; 7,134,472; 7,219,392; 7,254,868. Canadian: 2,384,936; 2,477,445; 2,495,175; 2,507,590; 2,530,701; 2,530,74; 2, 2,532,824. Other US and Foreign Patents pending.

### **Please Do Not Return This Product To The Store**

Contact your local Wayne-Dalton dealer. To find your local Wayne-Dalton dealer, refer to your local yellow pages business listings or go to the **Find a Dealer** section online at [www.Wayne-Dalton.com](http://www.Wayne-Dalton.com)

Thank you for your purchase.

AFTER INSTALLATION IS COMPLETE, FASTEN THIS MANUAL NEAR THE GARAGE DOOR.

## Free Manuals Download Website

<http://myh66.com>

<http://usermanuals.us>

<http://www.somanuals.com>

<http://www.4manuals.cc>

<http://www.manual-lib.com>

<http://www.404manual.com>

<http://www.luxmanual.com>

<http://aubethermostatmanual.com>

Golf course search by state

<http://golfingnear.com>

Email search by domain

<http://emailbydomain.com>

Auto manuals search

<http://auto.somanuals.com>

TV manuals search

<http://tv.somanuals.com>