

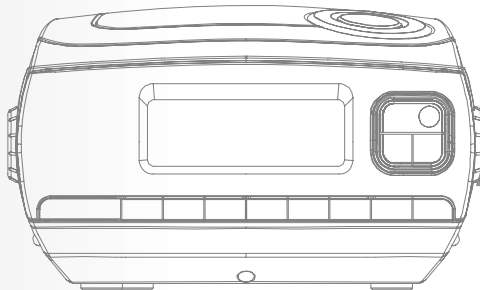


Instruction Manual

SMB-623

- **TOP LOADING CD PLAYER
WITH STEREO AM/FM
RADIO CD ALARM CLOCK**

Please read before using this unit.



IMPORTANT SAFETY INSTRUCTIONS

WARNING:

TO PREVENT FIRE OR SHOCK HAZARD, DO NOT USE THIS PLUG WITH AN EXTENSION CORD, RECEPTACLE OR OTHER OUTLET UNLESS THE BLADES CAN BE FULLY INSERTED IN ORDER TO PREVENT BLADE EXPOSURE. TO PREVENT FIRE OR SHOCK HAZARD. DO NOT EXPOSE THIS APPLIANCE TO RAIN OR MOISTURE.



The symbol of a lightning flash with arrowhead inside an equilateral triangle is intended to alert the user to the presence of uninsulated "dangerous voltage" within the product's enclosure, which may be of sufficient magnitude to constitute a risk of electric shock to people

CAUTION

**RISK OF ELECTRIC SHOCK
DO NOT OPEN**

Warning: to reduce the risk of electric shock, do not remove the cover (or the back). There are no user-serviceable parts inside. Servicing should be performed by qualified service personnel.



The exclamation point inside an equilateral triangle is intended to alert the user to the presence of important operating and maintenance (servicing) instructions in the literature accompanying the appliance.

1. Read these instructions.
2. Keep these instructions.
3. Heed all warnings.
4. Follow all instructions.
5. Do not use this appliance near water.
6. Clean only with a dry cloth.
7. Do not block any ventilation openings. Follow the manufacturer's instructions for installation.
8. Do not install near radiators, heat registers, stoves, or other heat sources, including appliances that produce heat (e.g.: amplifiers).
9. Do not defeat the safety purpose of the polarized or grounding-type plug. A polarized plug has two blades, with one wider than the other. A grounding-type plug has two blades and a third grounding prong. The wide blade or the third prong are provided for your safety. If the plug that is provided does not fit into your outlet, consult an electrician in order to replace the obsolete outlet.
10. Protect the power cord from being walked on or pinched, especially at the plug, the outlet, and the point where it exits from the appliance.
11. Only use attachments/accessories that are specified by the manufacturer.
12. Unplug the appliance during lightning storms or when it will not be used for long periods of time.
13. All servicing must be performed by qualified personnel. Servicing is required when the appliance has been damaged in any way, for example, if the power cord or plug is damaged, if liquid has been spilled or objects have fallen into the appliance, if the appliance has been exposed to rain or moisture, if the appliance does not operate normally, or if the appliance has been dropped.
14. Do not expose this appliance to dripping or splashing water, and do not place objects filled with liquids, such as vases, on top of the appliance.

CAUTION: TO PREVENT ELECTRICAL SHOCK, MATCH THE WIDE BLADE OF THE PLUG TO THE WIDE SLOT, AND INSERT IT FULLY.

PRECAUTIONS

CAUTION:

- To avoid electric shock, this appliance must not be exposed to dripping or splashing water
- Maintain a minimum clearance around the appliance for sufficient ventilation;
- Ventilation should not be impeded by covering the ventilation openings with items such as newspapers, table-cloths, curtains, etc.
- Do not place any source of open flame, such as a lighted candle, on the appliance;
- Before discarding the appliance, remove the batteries and place them in a proper battery collection container.

CAUTION

CLASS 1 LASER PRODUCT

Use of controls or adjustments, or performance of procedures other than those specified herein, may result in hazardous radiation exposure.

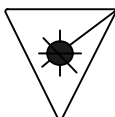
CLASS 1 LASER PRODUCT
LUOKAN 1 LASERLAITE
KLASS 1 LASERAPPARAT

CAUTION

CLEANING: Always disconnect the appliance from the power supply before attempting to clean it. Use a soft cloth moistened with soapy water, and wipe gently. Do not use solvents or abrasive materials.

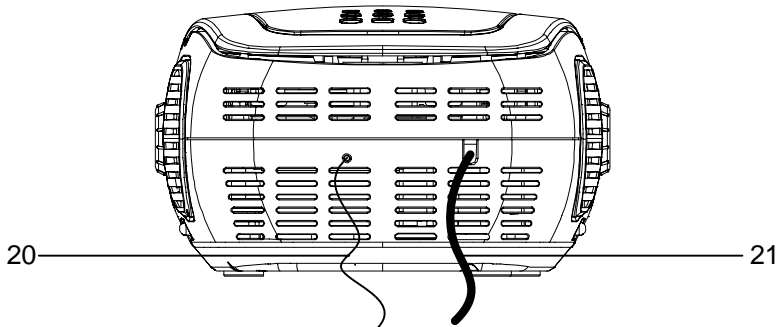
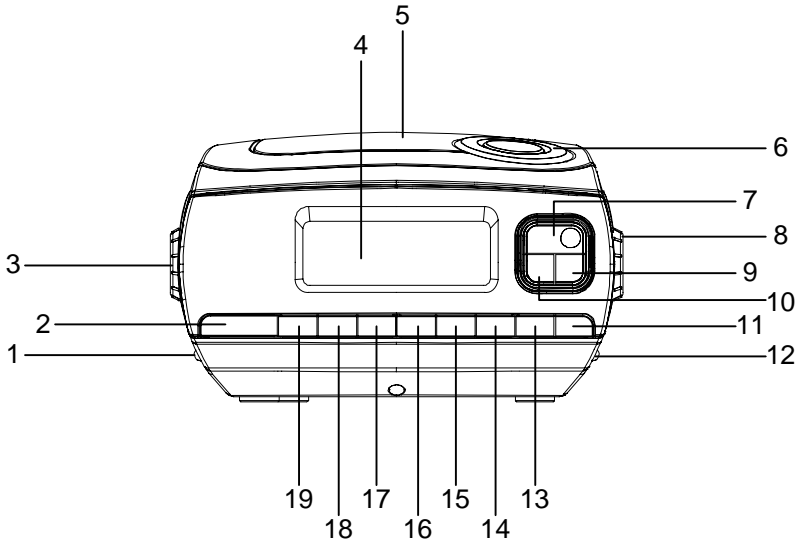
LASER SAFETY

This appliance contains a laser. Only qualified service personnel should attempt to repair it.



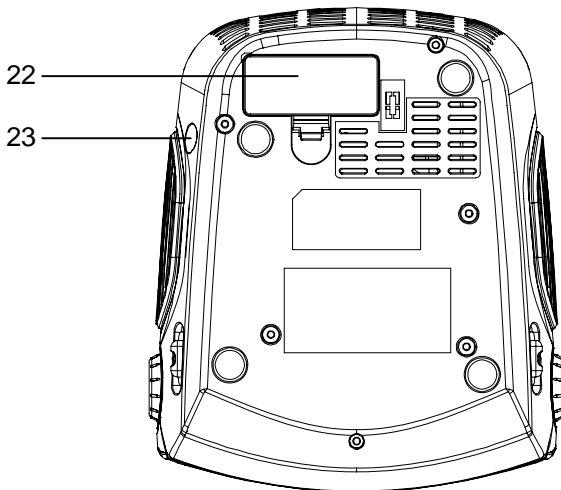
DANGER: INVISIBLE LASER RADIATION WHEN THE APPLIANCE IS OPEN AND THE INTERLOCK IS FAILED OR DEFEATED. AVOID DIRECT EXPOSURE TO THE BEAM.

CAUTION: HAZARDOUS LASER RADIATION WHEN THE APPLIANCE IS OPEN AND THE INTERLOCK IS DEFEATED.



- | | |
|--------------------------------------|-----------------------------|
| 1. FUNCTION Switch (CD/RADIO/BUZZER) | 12. BAND Switch (AM/FM) |
| 2. ► PLAY/PAUSE Button | 13. SLEEP Button |
| 3. VOLUME Control | 14. PROG Button |
| 4. LED Display | 15. RANDOM/REPEAT Button |
| 5. CD Door/REPEAT ALARM | 16. CLOCK Button |
| 6. CD Door Open Lid | 17. ►► SKIP FORWARD Button |
| 7. POWER Button | 18. ◀◀ SKIP BACKWARD Button |
| 8. TUNING Control | 19. ■ STOP Button |
| 9. ALARM 2 Button | 20. FM Antenna Wire |
| 10. ALARM 1 Button | 21. AC Power Cord |
| 11. DISPLAY Button | |

- 22. Battery Compartment
- 23. AUX IN Jack



POWER SUPPLY

This unit works with AC 120V~60 Hz.

1. Connect AC power cable to wall outlet with 120V supply.
2. Insert two 1.5V batteries into battery compartment (22) for time back up in case of power failure.

RADIO OPERATION

1. Press POWER button (7).
2. Set FUNCTION switch (1) to RADIO position.
3. Tune to your desired station with TUNING Control (8).
4. Adjust VOLUME (3) to suit your personal listening preference.
5. To turn off the unit, press POWER button (7) again.

ANTENNA

AM: This unit has a built-in Ferrite Antenna. For best results - turn unit to improve reception.

FM: For FM reception, fully extend the external FM wire antenna (20) and adjust direction for optimum reception. Do not connect this wire to any outdoor antenna.

CD OPERATION

This unit is capable of playing standard CDs.

1. Press POWER button (7).
2. Select FUNCTION switch (1) to CD position.
3. Lift up the CD door open lid (6) to open CD door (5).
4. Insert a CD disc in the CD compartment with label facing upwards.
5. Close the CD door (5). The total number of tracks will be displayed. If a disc is inserted incorrectly, dirty, damaged or not music CD - display will show "no" and player will stop.
6. Press PLAY/PAUSE button ►|| (2) to begin playback.
7. Press STOP button ■ (19) to stop playback.

PAUSE

The PLAYBACK can be stopped temporarily at any time by pressing PLAY/PAUSE button (2) once. Press PLAY/PAUSE button (2) once more to resume playback.

FORWARD/REVERSE/SKIP

1. Press SKIP FORWARD button ►► (17) to skip ahead to the beginning of the next track. Press this button again for each additional track you want to skip.
2. Press SKIP BACKWARD button ◄◄ (18) to skip back to beginning of the current track. Press this button again to the beginning of the previous track.

DISPLAY

In CD or RADIO mode, press the DISPLAY button (11), the display will show the number of current tracks and the current station.

RANDOM/REPEAT

The CD player can play "RANDOM", "REP.", "REP. ALL" and "RANDOM REP. ALL" by press RANDOM/REPEAT button (15) repeatedly.

PROGRAM

The programming function is used to pre-set the order of the tracks to be played.

1. Press the POWER button (7).
2. Set the FUNCTION switch (1) to the CD position.
3. Lift up the CD door lid (6) in order to open the CD door (5).
4. Insert the CD, with the label facing upward.
5. Close the CD door (5). The total number of tracks on the CD will be shown on the display. If the disc is inserted incorrectly, or if it is dirty or damaged, or if it is not a music CD, the display will show "nocd", and the player will stop.
6. Press the PROG. button (14). The "01" and "PROG" icon will be shown on the display, and will be blinking.
7. Press the SKIP ►►/◄◄ button (17)/(18) in order to choose the track that you would like to play. Press the PROG. button (14) again in order to finish the programming for the first track.
8. Repeat step "7" in order to program the other tracks. A maximum of 20 tracks can be programmed.
9. To clear the program memory, press the STOP button ■ (19).
10. Once you have finished programming, press the PLAY/PAUSE button ►► (2). The tracks will play in the programmed order, and the corresponding track number will be displayed.
11. You can move forward and backwards through the programmed tracks (see Forward/Backward/SKIP), or temporary stop playback (see Pause). To stop playback, press the STOP button ■ (19).

Note: Pressing the SKIP ◄◄/►► button (17)/(18) during programmed playback will only skip through the tracks that have been programmed.

AUX IN

You can connect an external audio player to this jack in order to use the playback function.

Note: When a device is connected to the AUX IN jack, the current source from the CD or RADIO will be cut off automatically.

SETTING THE CLOCK TIME

1. The CLOCK uses the 12 HR format.
2. Press and hold the CLOCK button (16). The hour digit will begin to flash. Press the SKIP ►► / ◀◀ button (17)/(18) in order to adjust the hour.
3. Press the CLOCK button (16) again, the minute digit will begin to flash. Press the SKIP ►► / ◀◀ button (17)/(18) in order to adjust the minutes.
4. Press the CLOCK button (16) once more in order to confirm the clock setting.

SETTING THE ALARM TIME

1. This appliance can be set to two ALARM times for CD or RADIO or BUZZER.
2. Set the FUNCTION switch (1) to the CD or RADIO or BUZZER position.
3. Press and hold the ALARM 1 or ALARM 2 button (10) or (9). The hour digit will begin to flash.
4. Set the ALARM 1 and ALARM 2 time following the same procedure used to set the clock time.
5. While CD track flashing, press ►► / ◀◀ button to select your desired track for alarm wake-up

Note: To cancel the ALARM for next day, press the ALARM buttons until the “AL1” or “AL2” icons disappear from the display.

REPEAT ALARM

When the buzzer sounds or your CD or Radio comes on, you can press the REPEAT ALARM (5) to turn them off for 6 minutes. The alarm buzzer or radio or CD will then turn itself on again. This function can be repeated for 60 minutes, it will then be silent until the next alarm or until the CD/Radio On/Off button has been pressed (this means that your Alarm, Radio or CD is set to wake you up the same time the following day).

SLEEP

Press the SLEEP button (13), the display will show → “90” → “80” → “70” “10”. Select the amount of time that you desire. The power will be turned off when the selected amount of time has elapsed.

TECHNICAL DETAILS:

Power:	AC 120 V ~ 60 Hz
Radio Frequency:	AM: 540 - 1700 kHz FM: 88 - 108 MHz
Speakers:	2 x 8 Ohm

www.bratz.com

TM & © MGA Entertainment, Inc.
All Right Reserved. Used under license by
The Singing Machine Co., Inc.



The Singing Machine Company, Inc.

623-0706-ENG01

6601 Lyons Road, Bldg. A7, Coconut Creek, FL33073-9902, USA.
TEL: (954) 596-1000 FAX: (954)596-2000

PRINTED IN CHINA

VISIT OUR WEBSITE www.singingmachine.com

Free Manuals Download Website

<http://myh66.com>

<http://usermanuals.us>

<http://www.somanuals.com>

<http://www.4manuals.cc>

<http://www.manual-lib.com>

<http://www.404manual.com>

<http://www.luxmanual.com>

<http://aubethermostatmanual.com>

Golf course search by state

<http://golfingnear.com>

Email search by domain

<http://emailbydomain.com>

Auto manuals search

<http://auto.somanuals.com>

TV manuals search

<http://tv.somanuals.com>