

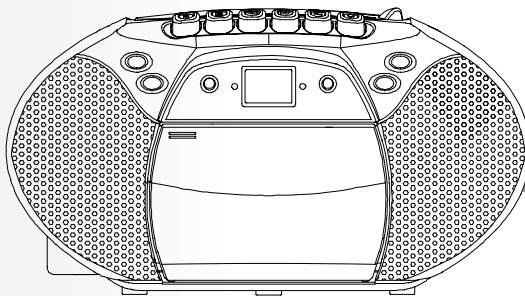


Instruction Manual

SMB-635

- PORTABLE CD PLAYER
WITH STEREO RADIO
CASSETTE RECORDER



Please read before using this unit.

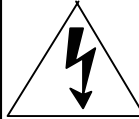


PRECAUTIONS

Please take good note of the following instructions:

- The unit must be connected to the power voltage which is the same as the local area. If not, there is a danger of "burning" the unit that causes a fire.
- Do not expose to the temperature higher than 35°C.
- Avoid installation near heaters or in areas subjected to direct sunlight.
- Ensure good air circulation.
- Protect the unit from dust, moisture and water.
- Avoid strong magnetic fields, e.g. near TVs or Speakers for other units.
- Avoid using strong chemical agents to clean.
- Do not grease or oil components, running mechanisms, etc. The CD player is designed to be maintenance free.
- Take the unit to approved service point for servicing.

	CAUTION RISK OF ELECTRIC SHOCK DO NOT OPEN	
CAUTION: TO REDUCE THE RISK OF ELECTRIC SHOCK, DO NOT REMOVE COVER. NO USER-SERVICEABLE PARTS INSIDE. REFER SERVICING TO QUALIFIED SERVICE PERSONNEL		



This symbol indicates that dangerous voltage constituting a risk of electric shock is present within this unit.



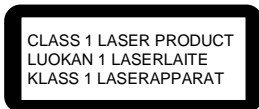
This symbol indicates that there are important operating and maintenance instructions in the literature accompanying this unit.

CAUTION:

- The product shall not be exposed to dripping or splashing and that no objects filled with liquids, such as vases, shall be placed on the product.
- The normal ventilation of the product shall not be impeded for intended use.
- Do not place naked flame sources, such as lighted candles, on the apparatus.
- The ventilation should not be impeded by covering the ventilation openings with items, such as newspapers, table-cloths, curtains, etc.
- Do not place the product in closed bookcases or racks without proper ventilation.
- Where the mains plug or an appliance coupler is used as the disconnect device, the disconnect device shall remain readily operable. (for example: main plug is used as the connection, so it should always remain ready operate.)
- Minimum distances around the apparatus for sufficient ventilation;
- Before scrapping the appliance, remove the batteries and place them in the appropriate battery collection container.
- Batteries (battery pack or batteries installed) shall not be exposed to excessive heat such as sunshine, fire or the like.
- Excessive sound pressure from earphones and headphones may cause hearing loss.

CAUTION CLASS 1 LASER PRODUCT

Use of Controls or adjustments or performance of procedures other than those specified herein may result in hazardous radiation exposure.



CAUTION CLEANING:

Always disconnect unit from power supply before attempting to clean it.
Use soft cloth moistened with soapy water, wipe gently.
Do not use solvents or abrasive materials.

LASER SAFETY

This unit employs a laser. Only qualified service personnel should attempt repair.



DANGER: INVISIBLE LASER RADIATION WHEN OPEN AND INTERLOCK FAILED OR DEFEATED. AVOID DIRECT EXPOSURE TO BEAM.
CAUTION: HAZARDOUS LASER RADIATION WHEN OPEN AND INTERLOCK DEFEATED.

SOME DO'S AND DON'TS ON THE SAFE USE OF EQUIPMENT

This equipment has been designed and manufactured to meet safety standards but like any electrical equipment, care must be taken if you are to obtain the best results and safety is to be assured.

DO read the operating instructions before you attempt to use the equipment.

DO ensure that all electrical connections (including the mains plug, extension leads and interconnections between piece of equipment) are properly made in accordance with the supplied instructions. Switch off and withdraw the mains plug when making or changing connections.

DO consult your dealer if you are ever in doubt about the installation, operation, or safety of your equipment.

DO be careful with glass panels or doors on equipment.

DON'T continue to operate the equipment if you are in any doubt about it working normally, or if it is damaged, in any way - switch off, withdraw the mains plug and consult your dealer.

DON'T remove any fixed cover as this may expose dangerous voltages.

DON'T leave equipment switched on when it is unattended unless it is specifically stated that it is designed for unattended operation or has a standby mode. Switch off using the switch on the equipment and make sure that your family knows how to do this. Special arrangements may need to be made for infirm or handicapped people.

DON'T listen to headphones at high volume, as such use can permanently damage your hearing.

DON'T obstruct the ventilation of the equipment, for example with curtains or soft furnishings. Overheating will cause damage and shorten the life of the equipment.

DON'T allow electrical equipment to be exposed to rain or moisture.

Above all

- NEVER let anyone, especially children, push anything into holes, slots or any other openings in the case. This could result in a fatal electric shock.
- NEVER guess or take chances with electrical equipment of any kind.
- It is better to be safe than sorry!

Note : If energy saving lamps (Fluorescent) are used in the same room as the unit, erratic operation may occur.

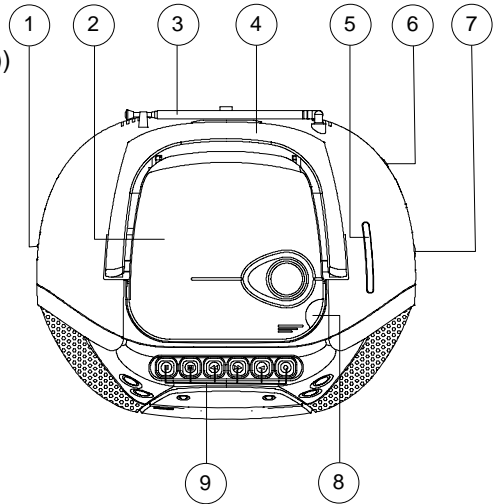


You can help protect the environment!
Please remember to respect the local regulations: hand in the non-working electrical equipments to an appropriate waste disposal center.

LOCATION OF CONTROLS

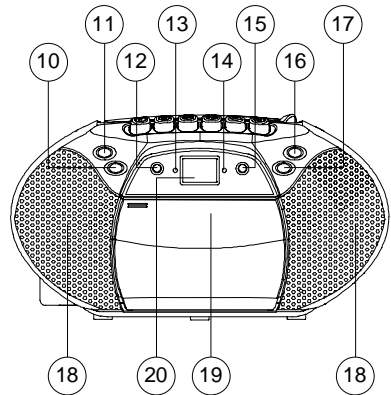
TOP VIEW

1. FUNCTION Switch (CD/FM/AM/TAPE(OFF))
2. CD Door
3. FM Rod Antenna
4. Handle
5. Dial Scale Indicator
6. Tuning Control
7. Volume Control
8. CD Door OPEN lid
9. Cassette Control Buttons



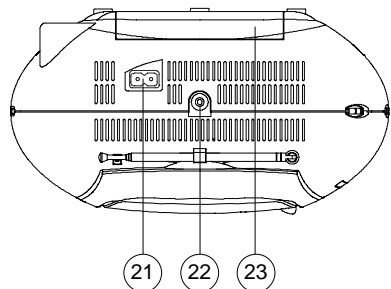
FRONT VIEW

10. CD SKIP BACK Button
11. CD SKIP NEXT Button
12. CD REPEAT Button
13. POWER ON LED Indicator
14. FM ST. LED Indicator
15. CD PROG/MEM Button
16. CD PLAY/PAUSE Button
17. CD STOP Button
18. Loudspeakers
19. Cassette Door/Compartment
20. CD Track Display



BACK VIEW

21. AC Input socket
22. Stereo Headphone Jack
23. Battery Door/Compartment



INTRODUCTION

Please read these instructions carefully before using this product and retain them in a safe place for future reference.

POWER SUPPLY

This Product can be powered by either AC240V~50Hz Mains supply or by 6 R14 (C size) Alkaline batteries.

AC OPERATION

1. Remove the AC cord which is packed inside the product.
2. Connect the cord to the AC input socket.
3. Connect the mains plug to a household AC socket.

BATTERY OPERATION

1. Insert 6 R14 (C-size) batteries (not supplied) Alkaline type recommended into the battery compartment observing the correct polarity as indicated.
2. Ensure compartment cover is securely fitted.
3. Product will only function from batteries once the AC cord is removed from the unit.
4. When replacing flat batteries, ensure all batteries are replaced at the same time with the same type.
5. If the product is not to be used for an extended period of time the batteries should be removed to prevent any possible damage to the product.

USING THE RADIO

1. Switch the FUNCTION selector to either FM or AM as required.

FM BAND

2. If FM is selected ensure the telescopic antenna is fully extended and positioned vertically.
3. Turn the TUNING control until the desired station is located.
4. If the station is broadcasting in stereo, the stereo indicator will illuminate. To listen to a broadcast in stereo.
5. To achieve optimum reception adjust the position of the telescopic antenna.

AM BAND

6. For AM reception the product has a built-in antenna, to achieve best reception the product should be rotated, until the strongest signal is obtained.

GENERAL

7. Once the required station has been located, adjust the VOLUME control to the desired levels.

USING THE CASSETTE

NORMAL PLAYBACK

1. Switch the function selector to TAPE.
2. Press the STOP/EJECT key to open the cassette compartment and insert a prerecorded tape, with the exposed portion of the tape upwards and the full spool on the right Gently push the door to close.
3. Press the PLAY key to start playback.
4. Adjust the VOLUME control to the desired levels.
5. To briefly suspend playback press the PAUSE key, releasing it resumes playback.
6. To advance or rewind the tape rapidly use the FAST FORWARD or REWIND keys.
7. To stop playback press the STOP/EJECT key, press it fully down to eject the cassette.

Note: When the cassette reaches it's end during playback or recording, the mechanism will stop and the keys return to their normal positions.

RECORDING

Please note Chrome or Metal tapes are not recommended for use in this product.

1. Select desired function (CD or AM/FM) or TAPE for voice recording via internal condenser microphone.
2. Insert a blank tape with recording tabs intact into the cassette compartment.
3. Operate the desired function and select the material to be recorded.
4. Press the RECORD key, the PLAY key will automatically engage.
5. The product has a built-in ALC circuit which automatically adjusts the record level for quality recording.
6. To temporarily stop or edit the recording press the PAUSE button.
7. To stop recording press the STOP/EJECT button.

RECORDING FROM CD

1. Set the Function Selector to the CD position.
2. Press the Record Key and the Play Key at the same time.
3. Press the CD Play/Pause button.
4. To stop recording, press the Stop button of CD player. Then press the Stop/Eject key of the cassette deck.

USING THE CD PLAYER

1. Switch the function selector to CD.
2. Press the CD OPEN button to open the CD door and insert a disc with the label facing uppermost . Close the lid. (Ensure the disc is correctly mounted on the spindle and locked in place)
3. After a few seconds, the product will scan the disc and the display will show the total number of tracks on the disc. If the disc is incorrectly inserted or defective the display will show "--".
4. Press PLAY/PAUSE button to start playback, then adjust the VOLUME control to desired levels. Current track being played will be shown in the display.
5. To temporarily pause playback press the PLAY/PAUSE button, the play indicator flashes in the display. To resume playback press this button again.
6. To stop playback press the STOP button. The display will show the total number of tracks on the display. This remains in the display until either the disc is removed or another function is selected.
7. To skip up or down tracks on the disc use either ">>| or |<<" skip button.

Note: CD-R/CD-RW can be playable.

REPEAT PLAY

1. To repeat the track currently being played press the REPEAT button once. "REP." will show in the display.
2. To repeat the entire disc (continuous play) press the REPEAT button twice. "REP. A" will show in the display.
3. To return to normal play mode press REPEAT button until "REP. A" disappears from the display.

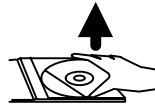
PROGRAMMED PLAY

Up to 20 tracks can be programmed for playback in any desired order.

1. Ensure CD is in the stop mode.
2. Press the PROG/MEM button, "PROG" and "00" will show in the display and flash.
3. Using the SKIP buttons >>| or |<< select the first track to be memorized.
4. Press the PROG/MEM button. This track is now placed in the memory.
5. Repeat the above process up to a maximum of 20 tracks. If more than 20 tracks are entered, "PROG" and " - - " will flash in the display to indicate the program is full and no further tracks should be entered.
6. To play the programmed selection, press the PLAY/PAUSE button.
7. To cancel Programmed play and resume normal playback, press the STOP button at program mode.
8. The selected programmed track is deleted from the program when either the CD lid is opened or another function is selected Tape, Radio etc.
9. This function can also be used when making a recording from CD.
10. To recall the programmed selection (providing the CD door has not been opened or another function selected) press PROG/MEM button twice.

CARE AND MAINTENANCE (CD PLAYER)

- Treat the disc carefully. Handle the disc only by its edges. Never allow your fingers to contact with the shiny, unprinted side of the disc.
- Do not attach adhesive tape, stickers etc., to the disc label.
- Clean the disc periodically with soft, lint-free, dry cloth. Never use detergents or adhesive cleaners to clean the disc. If necessary, use a CD cleaning kit.
- If disc skips or gets stuck on a section of the disc, it is probably dirty or damaged (scratched).
- When cleaning the disc, wipe in straight lines from the centre of the disc to the edge of the disc. Never wipe in circular motions.
- To remove a disc from its storage case, press down on the centre of the case and lift the disc out, holding it carefully by the edges.
- Fingerprints and dust should be carefully wiped off the disc's recorded surface with a soft cloth. Unlike conventional records. compact disc has no groove to collect dust and microscopic debris, so gently wiping with a soft cloth should remove most particles.



SPECIFICATION

POWER SUPPLY

AC: AC240V ~ 50Hz
Batteries: DC 9V
6 x R14 or equivalent

RADIO FREQUENCY COVERAGE

FM: 88 - 108MHz
AM (MW): 530 - 1600KHz

RECORDING SYSTEM

Recording System: DC Bias
Erasing System: Magnet Erase

GENERAL

Speaker: 8 Ohms

CD PLAYER

Pick Up: 3-Beam, Semiconductor Laser
1 Bit DA Converter
Encoding: 8 Time Oversampling

GUARANTEE

WHAT'S COVERED

H.E. Group Pty Ltd guarantees the **BRATZ Boom Box CD Player** for a full replacement for a period of 12 months from the date of purchase, which is only valid with the presentation of the original proof of purchase receipt. This guarantee covers materials and workmanship defects only.

WHAT IS NOT COVERED

This guarantee does not apply to defects arising from abuse, alteration or unreasonable use of the product. In addition, it does not cover general deterioration due to usage.

This guarantee does not apply to the **accessories**, due to general wear and tear.

WHAT H.E. GROUP PTY LTD WILL DO

H.E. Group Pty Ltd will replace the product, if a defect is discovered whilst under the guaranteed period, subject to verification of defect or malfunction, date and proof of purchase.

CUSTOMER CARE

All enquiries may be directed to our toll free customer service number:

1800 079 124 or via email **info@hegroup.com.au**

www.bratz.com

TM & © MGA Entertainment, Inc.

All Right Reserved. Used under license by

The Singing Machine Co., Inc.



The Singing Machine Company, Inc.

635-0706-ENG01

6601 Lyons Road, Bldg. A7, Coconut Creek, FL33073-9902, USA.

PRINTED IN CHINA

TEL: (954) 596-1000 FAX: (954)596-2000

VISIT OUR WEBSITE www.singingmachine.com

Free Manuals Download Website

<http://myh66.com>

<http://usermanuals.us>

<http://www.somanuals.com>

<http://www.4manuals.cc>

<http://www.manual-lib.com>

<http://www.404manual.com>

<http://www.luxmanual.com>

<http://aubethermostatmanual.com>

Golf course search by state

<http://golfingnear.com>

Email search by domain

<http://emailbydomain.com>

Auto manuals search

<http://auto.somanuals.com>

TV manuals search

<http://tv.somanuals.com>