



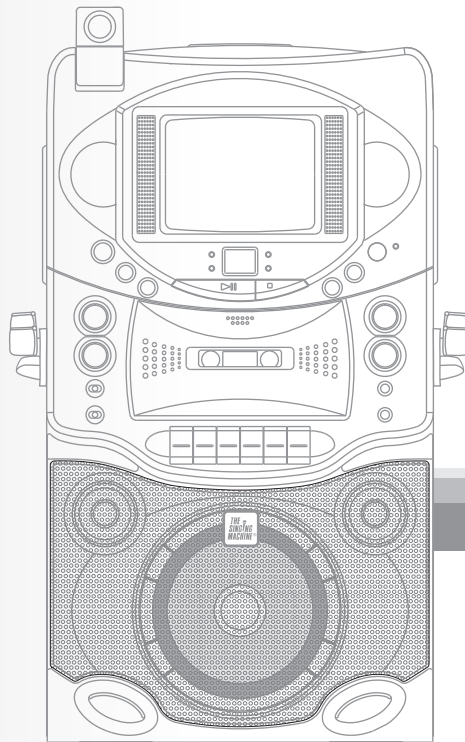
Instruction Manual Manual De Instrucción Manuel D'instruction

THE LEADER IN HOME KARAOKE® AND BEYOND

STVG-535

- Compact Disc + Graphics
With Built-In TV Karaoke Center
- Disco Compacto + Gráficos
Con El Central De Karaoke En La TV
- Disque Compact + Graphiques
Avec Centre Karoké Encastre



Please read before using this unit.
Lea antes de usar esta unidad.
Veuillez lire avant d'utiliser cet appareil.



The Singing Machine® is a registered trademark of The Singing Machine Co., Inc.
The Singing Machine® es una marca registrada de The Singing Machina Co., Inc.
The Singing Machine® est une marque déposée de The Singing Machine Co., Inc.

WARNINGS

WARNING: TO REDUCE THE RISK OF FIRE OR SHOCK HAZARD, DO NOT EXPOSE THIS PRODUCT TO RAIN OR MOISTURE.

	CAUTION	
RISK OF ELECTRIC SHOCK DO NOT OPEN		
<p>CAUTION: TO PREVENT THE RISK OF ELECTRIC SHOCK, DO NOT REMOVE COVER OR BACK. NO USER-SERVICEABLE PARTS INSIDE. REFER SERVICING TO QUALIFIED PERSONNEL.</p>		

The CAUTION marking is located on the rear panel.



This symbol is intended to alert you to the presence of uninsulated dangerous voltage within the product's enclosure that might be of sufficient magnitude to constitute a risk of electric shock. Do not open the product's case.



This symbol is intended to inform you that important operating and maintenance instructions are included in the literature accompanying this product.

CAUTION

TO PREVENT ELECTRIC SHOCK, MATCH WIDE BLADE OF PLUG TO WIDE SLOT, FULLY INSERT.

DRIPPING WARNING

The product shall not be exposed to dripping or splashing and that no objects filled with liquids, such as vases, shall be placed on the product.

VENTILATION WARNING

The normal ventilation of the product shall not be impeded for intended use.

This CD player is made and tested to meet exacting safety standards. It meets FCC requirements and complies with safety performance standards of the U.S. Department of Health and Human Services.

Warnings:

- This CD player employs a laser light beam. Only a qualified service person should remove the cover or attempt to service this device, due to possible eye injury.
- The use of controls, adjustments, or procedures other than those specified herein might result in hazardous radiation exposure.
- The apparatus shall be used in an open area.

CAUTION

This compact disc player is classified as a CLASS 1 LASER product. The CLASS 1 LASER PRODUCT label is located on the rear panel.



CAUTION!

Invisible laser radiation when open and interlocks defeated. Avoid exposure to beam.

IMPORTANT

Since CD circuitry may cause interference to other radio tuners nearby, switch this unit off when not in use or move it away from the affected radio tuner.


This class[B] digital apparatus complies with Canadian ICES-003.

WARNINGS

NOTE: This digital apparatus does not exceed the Class B limits for radio noise emissions from digital apparatus as set out in the Radio Interference Regulations of Industry Canada. These limits are designed to provide reasonable protection against harmful interference in a residential installation. This equipment generates, uses and can radiate radio frequency energy and, if not installed and used in accordance with the instructions, may cause harmful interference to radio communications. However, there is no guarantee that interference will not occur in a particular installation. If this equipment does cause harmful interference to radio or television (which can be determined by turning the equipment off), the user is encouraged to try to correct the interference by one or more of the following measures:

- Reorient or relocate the receiving antenna.
- Increase the separation between the equipment and receiver.
- Connect the equipment into an outlet on a circuit different from that to which the receiver is connected.
- Consult the dealer or an experienced radio / TV technician for help.

IMPORTANT SAFETY INSTRUCTIONS

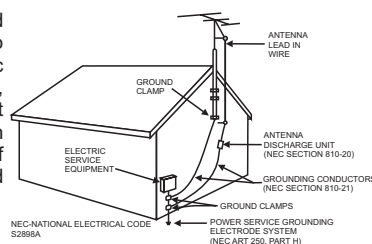
1. **Read Instructions** - All the safety and operating instructions should be read before the product is operated.
2. **Retain Instructions** - The safety and operating instructions should be retained for future reference.
3. **Heed Warnings** - All warnings on the product and in the operating instructions should be adhered to.
4. **Follow Instructions** - All operating and use instructions should be followed.
5. **Cleaning** - Unplug this product from the wall outlet before cleaning. Do not use liquid cleaners or aerosol cleaners. Use a damp cloth for cleaning the exterior only. Do NOT attempt to clean the inside.
6. **Attachments** - Do not use attachments not recommended by the product manufacturer as they may cause hazards.
7. **Water and Moisture** - Do not use this product near water - for example, near a bath tub, wash bowl, kitchen sink, or laundry tub; in a wet basement, or near a swimming pool, and the like.
8. **Accessories** - Do not place this product on an unstable cart, stand, tripod, bracket, or table. The product may fall, causing serious injury to a child or adult, and serious damage to the product. Use only with a cart, stand, tripod, bracket, or table recommended by the manufacturer, or sold with the product. Any mounting of the product should follow the manufacturer's instructions, and should use a mounting accessory recommended by the manufacturer.
9. A product and cart combination should be moved with care. Quick stops, excessive force, and uneven surfaces may cause the appliance and cart Combination to overturn.
 
10. **Ventilation** - Slots and openings in the cabinet are provided for ventilation and to ensure reliable operation of the product and to protect it from overheating, and these openings must not be blocked or covered. The openings should never be blocked by placing the product on a bed, sofa, rug, or other similar surface. This product should not be placed in a built-in installation such as a bookcase or rack unless proper ventilation is provided.
11. **Power Sources** - This product should be operated only from the type of power source indicated on the marking label. If you are not sure of the type of power supply to your home, consult your product dealer or local power company. For products intended to operate from battery power, or other sources, refer to the operating instruction.
12. **Grounding or Polarization** - This product may be equipped with a polarized alternating current line plug (a plug having one blade wider than the other). This plug will fit into the power outlet only one way. This is a safety feature. If you are unable to insert the plug fully into the outlet, try reversing the plug. If the plug should still fail to fit, contact your electrician to replace your obsolete outlet. Do not defeat the safety purpose of the polarized plug.

Alternate Warnings - This product may be equipped with a three-wire grounding-type plug, a plug having a third (grounding) pin. This plug will only fit into a grounding-type power outlet. This is a safety feature. If you are unable to insert the plug into the outlet, contact your electrician to replace your obsolete outlet. Do not defeat the safety purpose of the grounding-type plug.

IMPORTANT SAFETY INSTRUCTIONS

- 13. Power-Cord Protection** - Power supply cords should be routed so that they are not likely to be walked on or pinched by items placed upon or against them, paying particular attention to cords at plugs, convenience receptacles, and the point where they exit from the product.
- 14. Protective Attachment Plug** - The product is equipped with an attachment plug having overload protection. This is a safety feature. See Instruction Manual for replacement or resetting of protective device. If replacement of the plug is required, be sure the service technician has used a replacement plug specified by the manufacturer that has the same overload protection as the original plug.

- 15. Outdoor Antenna Grounding** - If an outside antenna is connected to the receiver, be sure the antenna system is grounded so as to provide some protection against voltage surges and built-up static charges. Article 810 of the National Electrical Code, ANSI/NFPA 70, provides information with regard to proper grounding of the mast and supporting structure, grounding of the lead-in wire to an antenna-discharge unit, size of grounding conductors, location of antenna-discharge unit, connection to grounding electrodes, and requirements for the grounding Electrode. See figure:



- 16. Lightning** - For added protection for this product during a lightning storm, or when it is left unattended and unused for long periods of time, unplug it from the wall outlet and disconnect the antenna or cable system. This will prevent damage to the product due to lightning and power-line surges.
- 17. Power Lines** - An outside antenna system should not be located in the vicinity of overhead power lines or other electric light or power circuits, or where it can fall into such power lines or circuits. When installing an outside antenna system, extreme care should be taken to keep from touching such power lines or circuits as contact with them might be fatal.
- 18. Overloading** - Do not overload wall outlets, extension cords, or integral convenience receptacles as this can result in a risk of fire or electric shock.
- 19. Object and Liquid Entry** - Never push objects of any kind into this product through openings as they may touch dangerous voltage points or short-out parts that could result in a fire or electric shock. Never spill liquid of any kind on the product.
- 20. Servicing** - Do not attempt to service this product yourself as opening or removing covers may expose you to dangerous voltage or other hazards. Refer all servicing to qualified service personnel.
- 21. Damage Requiring Service** - Unplug this product from the wall outlet and refer servicing to qualified service personnel under the following conditions:
- When the power-supply cord or plug is damaged,
 - If liquid has been spilled, or objects have fallen into the product,
 - If the product has been exposed to rain or water,
 - If the product does not operate normally by following the operating instructions. Adjust only those controls that are covered by the operating instructions as an improper adjustment of other controls may result in damage and will often require extensive work by a qualified technician to restore the product to its normal operation.
 - If the product has been dropped or damaged in any way, and
 - When the product exhibits a distinct change in performance - this indicates a need for service.
- 22. Replacement Parts** - When replacement parts are required, be sure the service technician has used replacement parts specified by the manufacturer or have the same characteristics as the original part. Unauthorized substitutions may result in fire, electric shock, or other hazards.
- 23. Safety Check** - Upon completion of any service or repairs to this product, ask the service technician to perform safety checks to determine that the product is in proper operating condition.
- 24. Wall or Ceiling Mounting** - The product should be mounted to a wall or ceiling only as recommended by the manufacturer.
- 25. Heat** - The product should be situated away from heat sources such as radiators, heat registers, stoves, or other products (including amplifiers) that produce heat.

INTRODUCTION

Your Compact Disc + Graphics with Built-In TV, **KaraokeVision™** Karaoke Center will provide you with many years of fun and entertainment. You will be the “star” while singing with your favorite recordings as well as listening to your voice with the music through the system’s speakers.

This karaoke center is compact and designed to include many features, yet it is easy to use. After just a few simple instructions, you will become an expert. Before you attempt to use your unit, please read this manual thoroughly to familiarize yourself with all the features available and the sections of the manual that describe their operation. Next, go to the section for the specific operation you wish to perform.

For your easy reference, listed here are some of the main features of this Karaoke Center:

Lyrics on TV screen - displays the lyrics with the tempo of music when playing CD+G discs.

Auto Voice Control - lets you replace the original singer's voice with your own voice when any prerecorded, multiplex karaoke disc or tape is played. To activate, just rotate mic volume to a comfortable listening level, and Auto Voice Control for the best balance between playback and microphone levels.

Balance Control - lets you adjust the balance between the prerecorded original singer's voice and the music when using a multiplex karaoke disc.

Echo Control - lets you add an echo to enrich your voice for a concert hall effect.

Master Volume Control - lets you turn the volume control clockwise or counter - clockwise until desired volume level is obtained.

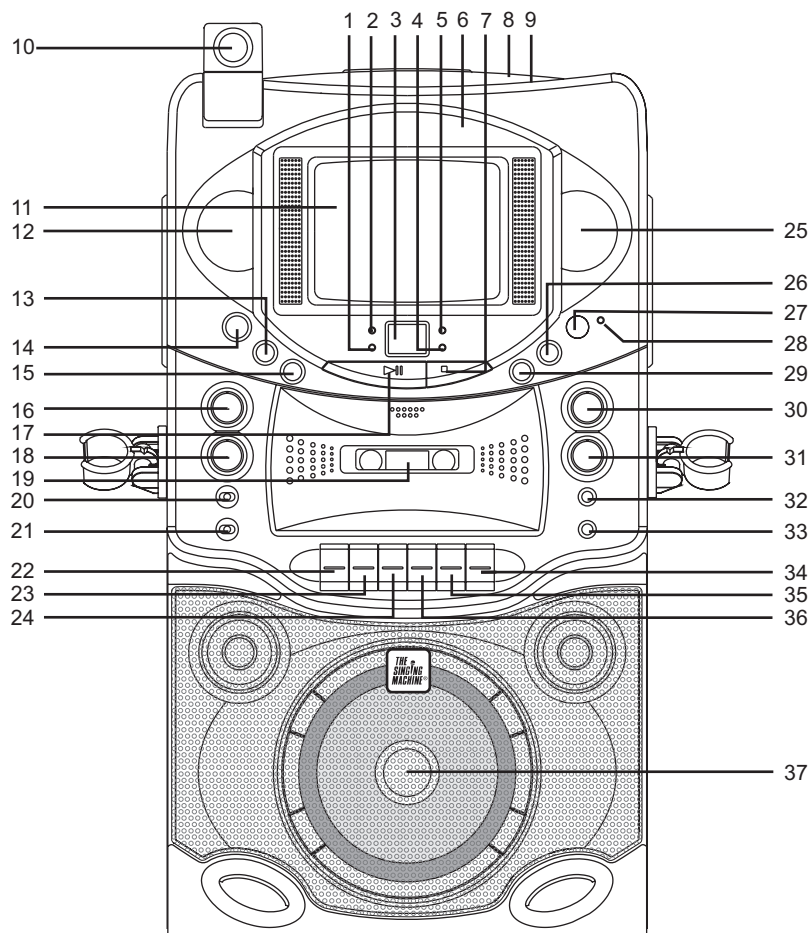
Multiple Karaoke music center - it plays audio Compact Discs, CD+Graphics discs and cassette tapes.

KaraokeVision™ - lift up camera lens to display your image on The Singing Machine’s monitor.

Built - In Speaker - lets you share the music with your family or friends.

Auxiliary Output Jacks - allows you to connect another audio output component, such as an equalizer/booster or a PA system.

CONTROL LOCATIONS

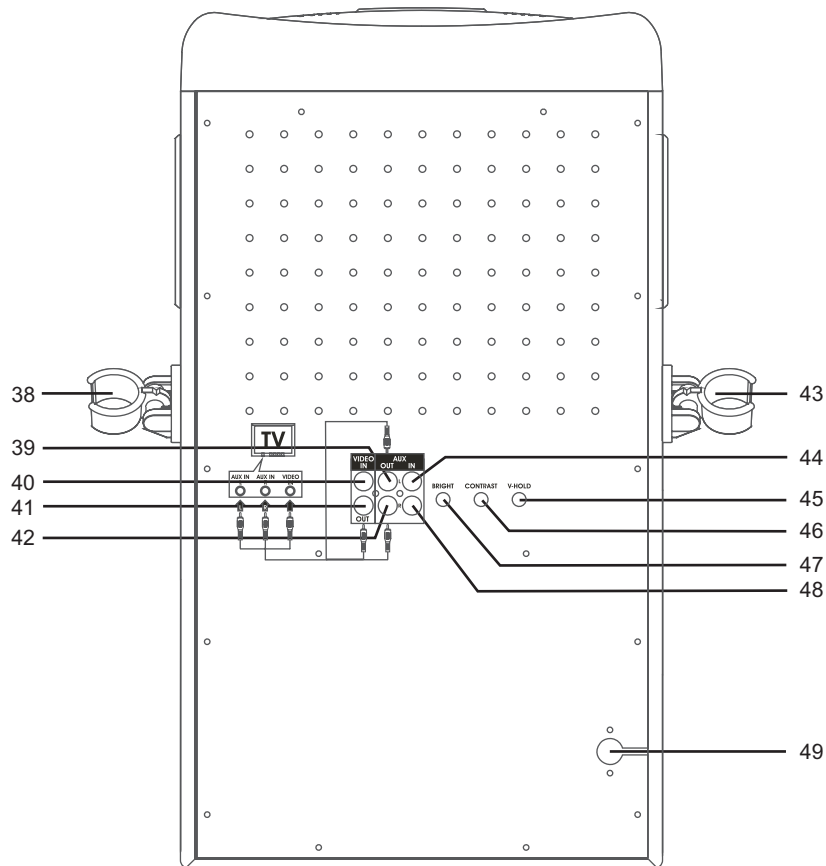


FRONT VIEW

- | | | |
|---------------------------|------------------------|-------------------------|
| 1. REPEAT Indicator | 14. VIDEO OUT Button | 27. ON/OFF Button |
| 2. PROGRAM Indicator | 15. REPEAT Button | 28. ON/OFF LED |
| 3. LED Display | 16. PITCH Control | 29. SKIP Button ◀◀ |
| 4. CDG Indicator | 17. PLAY/PAUSE Button | 30. ECHO Control |
| 5. PLAY/PAUSE Indicator | 18. BALANCE Control | 31. AUTO VOICE CONTROL |
| 6. Model Number | 19. Cassette Door | 32. MIC 1 Jack |
| 7. STOP Button | 20. FUNCTION Selector | 33. MIC 2 Jack |
| 8. CD Door | 21. MONITOR Selector | 34. PAUSE Button |
| 9. CD Door Open Button | 22. RECORD Button | 35. STOP/EJECT Button |
| 10. Camera Lens | 23. PLAY Button | 36. FAST FORWARD Button |
| 11. Monitor | 24. REWIND Button | 37. Loudspeaker |
| 12. Master Volume Control | 25. MIC VOLUME Control | |
| 13. PROGRAM Button | 26. SKIP Button ▶▶ | |

CONTROL LOCATIONS

ENGLISH



REAR VIEW

- | | |
|----------------------|---------------------------|
| 38. MIC Holder | 44. AUX IN Jack (L) |
| 39. AUX OUT Jack (L) | 45. VERTICAL HOLD CONTROL |
| 40. VIDEO IN Jack | 46. CONTRAST CONTROL |
| 41. VIDEO OUT Jack | 47. BRIGHTNESS CONTROL |
| 42. AUX OUT Jack (R) | 48. AUX IN Jack (R) |
| 43. MIC Holder | 49. AC Power Cord |

MAKING THE CONNECTIONS

CONNECTING POWER

You can power the system from a standard AC outlet by using the supplied power cord.

CAUTION: The supplied AC power cord has a polarized plug that fits into the wall outlet only one way. If the plug does not fit properly, turn it over and try again. Do not force it.

CONNECTING TO YOUR TV

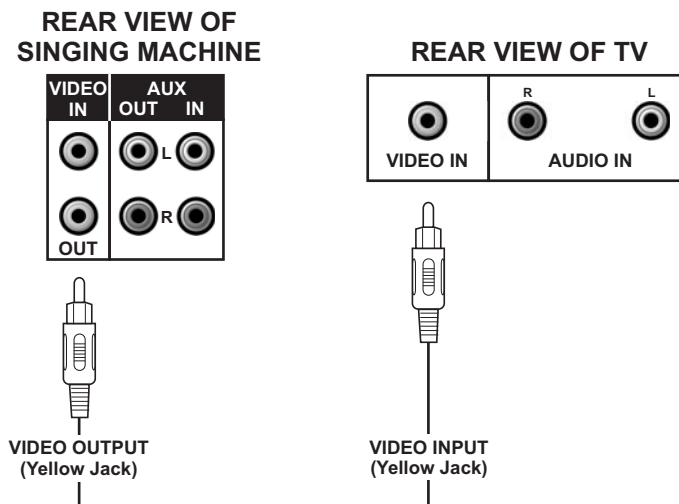
The Singing Machine includes a patch cord to provide you the option of either connecting an external audio/sound system and/or video device. The patch cord has three RCA plugs at each end; the White and Red are for left and right audio connections, the Yellow is to connect the video.

It is recommended that a CDG disc is playing while connecting your TV or VCR. The display of the Singing Machine logo or lyrics on your TV screen will insure you have connected your TV or VCR properly.

VIDEO CONNECTION

Please follow the steps below to display CDG lyrics on the TV screen:

- (1) Locate the multicolored patch cords.
- (2) Connect video cable (yellow) to the Video Out jack on the back of the Singing Machine.
- (3) Connect the other end of the Video Cable (yellow) to the Video Input on your TV or VCR.



MAKING THE CONNECTIONS

If your television or VCR does not have the required Video Input, you will need an RF Modulator (Radio Frequency Modulator), which connects through your TV Antenna or cable line and serves as Video Input.

An RF Modulator can be purchased at almost any consumer electronics retailer. If you are connecting the video from the Singing Machine to either a television or a VCR video input jack, you must specify the source the TV or VCR is to display. Your TV or VCR user guide can tell you how to display the video signal from the 'Video In' jack.

If you don't have the manual for your TV or VCR, we suggest calling the TV or VCR, manufacturer's customer service department. Only the manufacturer will be able to tell you very quickly how to configure your TV or VCR to display the video signal coming from the 'Video Input' jack.

* Note: Some projection TV sets do not properly display the standard blue background when using most CDGs. If the background color is inconsistent or flashing, please try connecting your Singing Machine to a standard tube television.

COMMON WAYS TO CONFIGURE YOUR TV OR VCR

Your Singing Machine is designed to connect to your TV the same way you would connect a video camera, VCR or video game. The Singing Machine is constantly sending the video and audio signals to the 'Video Out' and 'AUX OUT' jacks whenever you play a CDG. We recommend playing a CDG on your Singing Machine prior to making these connections. You will have the ability to view lyrics on your TV screen as soon as you complete the set up correctly.

We refer to TV/VCR because manufacturers use very similar ways to connect TVs and VCRs and you can connect your Singing Machine to a TV, VCR or satellite system (contact your satellite company for instructions). The setup of your TV/VCR is the most difficult part of making the connection for displaying your Singing Machine lyrics. In most homes, the TV has either a cable connected or antennae in use. Once you connect your Singing Machine to the TV/VCR, choose the correct input on your TV/VCR to display lyrics from The Singing Machine instead of the usual input from the cable or antennae.

Check your TV/VCR user manual for the easiest way to setup your particular entertainment system. If you don't have your manual please contact your TV/VCR manufacturer for information either by phone or by viewing their website for online assistance. We've listed below the most common ways of setting up a TV/VCR:

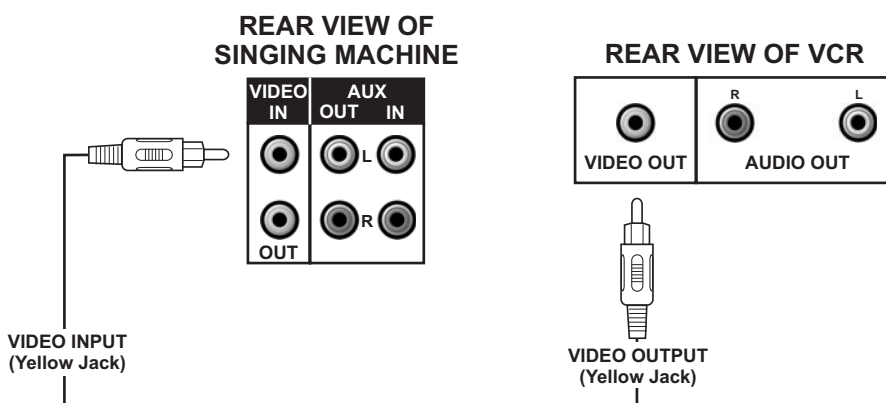
- (1) In the setup menu for configuring the TV/VCR there may be an option on 'Input Selection' where you may choose between 'Cable/Ant', 'Video 1', or 'Video 2' etc. as the input source.
- (2) Try looking for a 'Video' channel between the highest channel and the lowest channel on your TV or VCR. (i.e. between 99 and 2 also could be one of the following: 'VIDEO', 'INPUT' or 'GAME')
- (3) Look for a button on the remote control for the TV/VCR you are connecting to which notes 'VIDEO', 'VIDEO 1', 'Game', 'AUX', 'EXT', 'LINE1', 'LINE-IN' or occasionally the 'VCR' button will display the Video input source.

MAKING THE CONNECTIONS

CONNECTING A VIDEO COMPONENT FOR INPUT

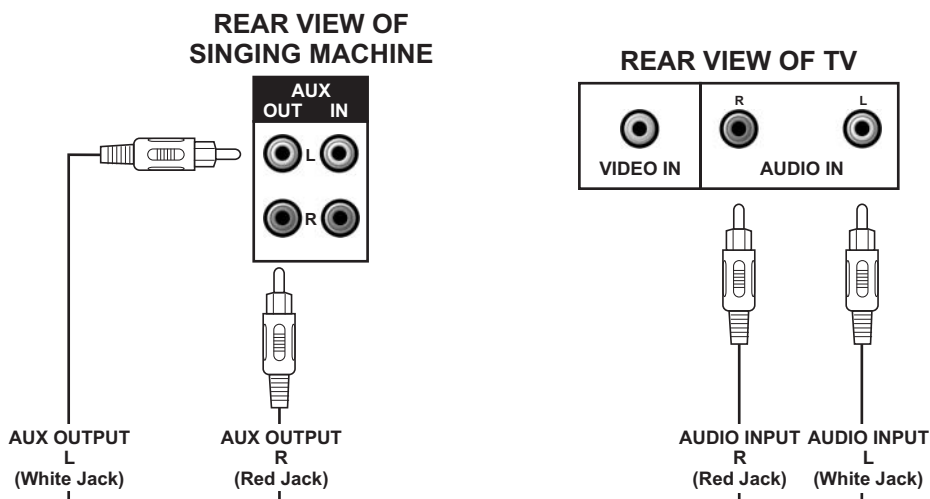
Please follow the steps below to display CDG lyrics on the Singing Machine's monitor from another video source:

- (1) Locate the multicolored patch cords.
- (2) Connect Video Cable (yellow) to the Video In of the back of the Singing Machine.
- (3) Connect the other end of the Video Cable (yellow) to the Video Output on another video source such as a VCR.
- (4) Set the FUNCTION SELECT to AUX mode and the MONITOR ON/OFF switch to ON.
- (5) Adjust the BRIGHTNESS, CONTRAST and VERTICAL HOLD knobs located under the monitor of the Singing Machine for the best picture quality.



AUDIO CONNECTION

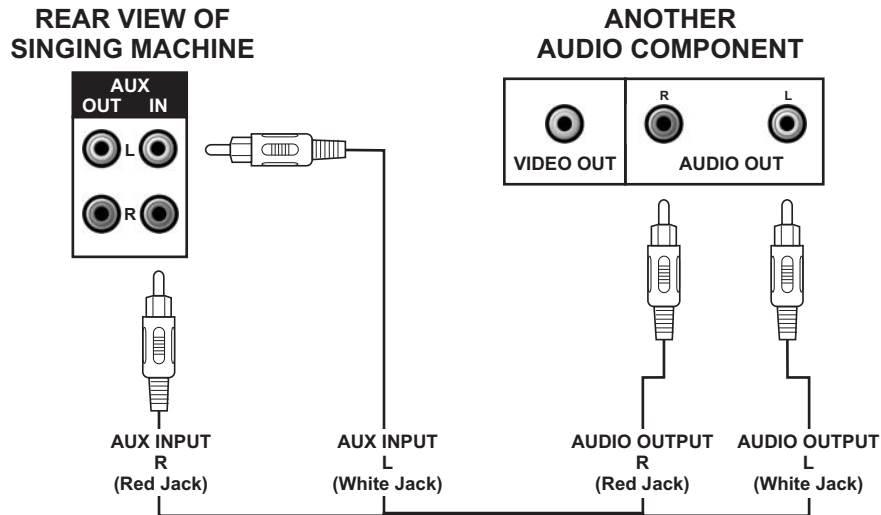
Connect the unit to your TV or home stereo system using the white and red connections on the supplied patch cord. Plug the white end of the patch cord into the white AUX OUT jack on the unit. Plug the red end of the patch cord into the red AUX OUT jack on unit. Now connect the other end of the cable's white (left channel) and red (right channel) plugs to your TV or home stereo system's 'AUDIO IN' or 'AUX IN' jacks.



MAKING THE CONNECTIONS

CONNECTING AN AUDIO COMPONENT FOR INPUT

To connect another audio source (such as a Tuner, an AV Receiver or a VCR) so you can sing along with its music, simply connect the Audio Output jacks (Red & White RCA jacks) to the Singing Machine's AUX IN L & R jacks.



MONITOR Selector


- To play a CDG disc, set the MONITOR Selector to either CAMERA, CDG/AUX or OFF mode.
- To display your image on the Singing Machine's monitor, set the MONITOR Selector to CAMERA mode.
- To display CDG lyrics on the Singing Machine's monitor, set the MONITOR Selector to CDG/AUX mode.
- To display a video signal from another A/V component, set the FUNCTION Selector to AUX mode and MONITOR Selector to CDG/AUX mode.
- To turn off the monitor on the Singing Machine, set the MONITOR Selector to OFF mode.
- Adjust the BRIGHTNESS, CONTRAST and VERTICAL HOLD knobs located under the monitor of the Singing Machine for the best picture quality.

FUNCTION Selector and VIDEO OUT Button

- To display image on the TV, set FUNCTION Selector to CDG position and set the VIDEO OUT Button to CAMERA mode.
- To display CDG lyrics on the TV, set FUNCTION Selector to CDG position and set the VIDEO OUT Button to CDG mode.

CD OR CD+G OPERATION

PREPARATION

- This unit is designed to play CD's bearing the identification logo "  ". If CD's do not conform to the CD standard, they may not play properly.
- Fingerprints and dust should be carefully wiped off with a soft cloth. Wipe in a straight motion from the center of the disc to the outside edge.
- Never use chemicals, such as record cleaning sprays, antistatic sprays or fluids, benzene or thinner to clean compact discs. These chemicals will permanently damage the plastic surface of the disc.
- Always place the compact disc on the disc tray with the label facing upward. Compact discs can be played on only one side.
- To remove a disc from its storage case, press down on the center of the case and lift the disc out, holding it carefully by the edges.
- Discs should be returned to their cases after use to protect them from dust and scratches.
- To prevent warping the disc, do not expose it to direct sunlight, high humidity or high temperatures for extended periods of time.
- Do not apply paper or write anything on either side of the disc. The inks used in some felt-tips pens may damage the surfaces of the disc.

PLAYING CD OR CD+G DISC

- Adjust MASTER VOLUME control on your unit, TV or audio system to a comfortable level.
- Adjust MIC/ECHO/BALANCE controls as needed to achieve the desired mix of music and vocals through your TV or sound system.
- Do not press the disc cover of the CD compartment while it's playing.
- Never place anything except a compact disc on the disc tray. Foreign objects can damage the unit.
- Do not apply excessive force to the disc cover.
- Only place one disc on the disc tray at a time.

TURNING POWER ON/OFF

- To power on the karaoke center, press the ON/OFF button, the ON/OFF LED will illuminate.
- To turn off the system, press the ON/OFF button again, the ON/OFF LED will turn off.

FUNCTION SELECT

Set the FUNCTION SELECT switch to CD+G.

MONITOR SELECT

- To play a CDG, set MONITOR Selector to either CAMERA, CDG/AUX or OFF mode.
- To display the CDG lyrics on the Singing Machine's monitor, set MONITOR Selector to CDG/AUX mode.
- To turn off the monitor on the Singing Machine, set MONITOR Selector to OFF mode.
- Adjust the BRIGHTNESS, CONTRAST and VERTICAL HOLD knobs located under the monitor of the Singing Machine to display the best picture quality.

LOADING A DISC

- Press the ▲ CD door OPEN button to open the CD compartment door. Place a disc in the compartment with the printing side facing upward and the shiny side facing down.
- Press the CLOSE point (for CD door) again to close the CD compartment. The LED window will display total number of track. (If no disc is loaded, it will display " - -").

(Refer to the Trouble Shooting Guide on page E16 if a disc is loaded but the total tracks do not appear.)

CD OR CD+G OPERATION

PLAY/PAUSE MODE

- To start playing, press the PLAY/PAUSE button. The first track [1] and the PLAY/PAUSE LED will be lit.
- To temporarily stop playing, press the PLAY/PAUSE button. The PLAY/PAUSE LED Indicator will flash.
- To resume play, press this button again.

PLEASE NOTE: Pressing pause when a CDG is playing may cause distorted lyrics on the monitor. Any distortion will remain until the whole screen is refreshed during an instrumental break or you stop the song and start it from the beginning.

STOP MODE

If the STOP button is pressed in the course of playing, the disc it will cease to play. (The total number of tracks will be shown on the LED display).

SKIP PLAY (For both CD and CDG discs.)

- During STOP mode, you can skip up or down to your desired track number by pressing a SKIP button (◀◀-SKIP-▶▶).
- To resume playing the selected song, press PLAY/PAUSE button.

SEARCH (For audio CD disc only.)

When playing any audio CD, press and hold the SKIP button (◀◀-SKIP- ▶▶). The CD will search at high speed in the forward or backward direction. Normal play will continue when you release the button.

REPEAT

- To repeat the track currently playing, press the REPEAT button once. The REPEAT LED will start to flash.
- To repeat all tracks, press the REPEAT button twice. The REPEAT LED will remain illuminated.
- To clear the repeat function. Press the REPEAT button again. The REPEAT LED will no longer illuminate.

PROGRAM

- Use this button to program and play back songs in a preselected order.
 - Step 1: Programming should be done in the stop mode only. Press the PROGRAM key until the PROGRAM LED flashes, the track will read [0].
 - Step 2: Press the double arrow keys (◀◀-SKIP- ▶▶) to select a desired track.
 - Step 3: Press PROGRAM key to confirm entry. You can repeat the same steps up to a maximum of 20 tracks.
 - Step 4: Press PLAY to activate PROGRAM.
- Press the STOP button to clear all the programmed entries.

CASSETTE OPERATION

LOADING AND UNLOADING CASSETTES

Follow these steps to load and unload cassettes:

1. Press STOP/EJECT button (10).
2. Insert cassette with desired side facing you, tape surface down. Avoid touching tape.
3. Close cassette holder/tape cover.

To ensure firm locking of cassette holder/tape covers, please press the cassette door(s) at the center point (or the maximum right position) until a 'click' sound is heard.

Note: To unload, press STOP/EJECT button (10), remove cassette and close cover.

PLAYBACK

1. Turn on POWER (7).
2. Set FUNCTION SELECT switch (4) to TAPE.
3. Load cassette into the cassette compartment.
4. Depress PLAY button (5).
5. Adjust MASTER VOLUME (1), and BALANCE (3) controls to your pleasure.
6. To stop the tape, press STOP/EJECT button (10) on that Deck once. (A second pressing will eject the tape.) Or, when a tape reaches its end, that deck will automatically stop and its PLAY button (5) will be released.

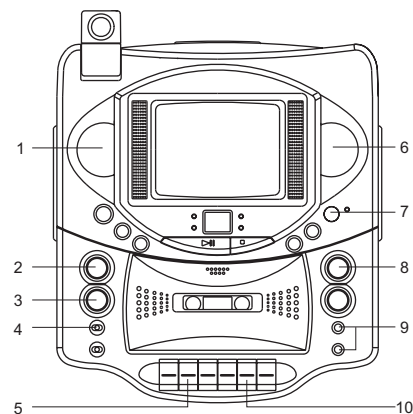
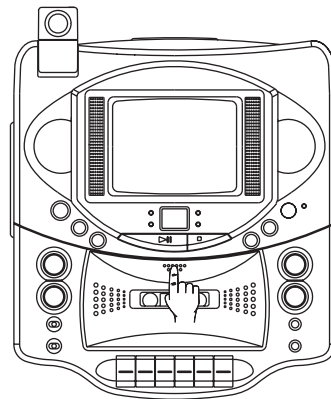
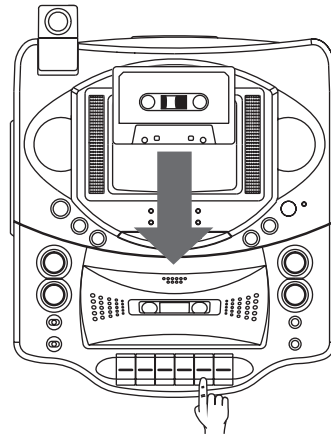
MICROPHONES/ECHO/PITCH

When either or both microphones are plugged into the Microphone Jacks (9), their output is mixed with the playback from cassette tapes. Adjust Mic Volume (6) for best balance between playback and microphone levels.

Adjust ECHO (8) to add depth and richness to vocals, and PITCH (2) to control the speed of cassette playback.

SING ALONG - Tape

1. Follow instructions for PLAYBACK.
2. Follow instructions for MICROPHONES/ECHO/PITCH.
3. Adjust MASTER VOLUME (1), ECHO (8) and PITCH (2) Controls. Your voice will be combined with the playback output and will be heard through the loudspeaker.
4. With Singing Machine or similar multiplex cassettes, you can sing duets along with the recorded artist and background music. Or by turning the BALANCE Control (3), you can eliminate the vocal track and do a solo performance with the background music.



CASSETTE OPERATION

RECORDING SING ALONG - CD or CDG disc (Audio only, Video is not possible)

1. Load a blank cassette.
2. Load a Singing Machine or similar multiples CD/CDG disc or any other pre-recorded karaoke disc into CD compartment.
3. Rotate PITCH control to central position.
4. Set the FUNCTION SELECT switch to CD+G. Press SKIP to the desired track number you wish to record from.
5. Press PLAY to start playback on the CD player. Press both RECORD and PLAY buttons at the same time to begin recording. The combined output of your voice and the playback of CD or CDG sound track will be recorded on the blank tape.

PUBLIC ADDRESS - Using a Microphone

Public Address (PA) Operation Procedures.

1. Connect the supplied microphone to either one of the MIC input jacks.
2. Press the POWER ON/OFF button to turn the unit on.
3. Switch the FUNCTION SELECT to TAPE. Rotate the MIC VOLUME control to central position.
4. Move the ON/OFF switch located on the microphone to the ON position and speak or sing into the microphone. The microphone sensitivity and loudness could be adjusted as required by turning the MIC VOLUME control and/or the MASTER VOLUME control.
5. To add depth or ambiance to your voice, adjust the ECHO control until the desired effect is obtained.

NOTE: To prevent feedback or whistling from occurring, please be sure that the microphone is not too close to the unit.

CARE AND MAINTENANCE

POWER SWITCH

After using the unit, turn off the power by pressing the ON/OFF button.

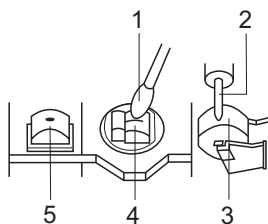
CLEANING THE UNIT

To clean the exterior of the unit, simply wipe with a soft clean cloth moistened with plain lukewarm water.

CLEANING TAPE HEAD

When the tape is running, magnetic tape residue, powder and dust naturally accumulate on the tape deck heads, capstan and pinch roller, when they become too dirty, you will find:

- Sound quality deteriorates.
 - The output sound level drops.
 - The previous recording is not completely erased.
 - Recording is not performed satisfactorily.
- Therefore, for continued high performance from the cassette section, periodically clean the heads, pinch rollers and capstans whenever an accumulation of dust and red-brown oxide particles is noticed. To do this open the cassette compartment. Carefully rub the head (4,5), pinch roller (3) and capstan (2) with a cotton swab (1) moistened with isopropyl alcohol or special head-cleaning fluid.



Proprietary tape head cleaners are available from most HI-FI retail outlets.

CASSETTE DECK CARE

Use a clean soft cloth moistened with plain lukewarm water and wrung dry. Never use benzol, benzene or other strong chemical cleaners since these could damage the finish or your unit. It is important that no liquid reaches the inside of the unit.

NOTE

- * Screwdrivers and other metal objects should never be allowed to come in contact with tape heads. These will scratch the sensitive surface causing damage to your tapes.
- * Magnets or magnetized objects should not be placed near tape heads.

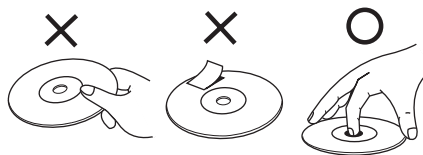


To prevent fire or shock hazard, disconnect your stereo system from the AC power plug when cleaning.

COMPACT DISC

Handling Disc

Although the music tracks in the disc are covered with a protective layer, it is still advisable to treat the disc carefully. Ensure that you always pick up discs by the edge, and put them back in their holders immediately after use.



CLEANING DISC

Cleaning will not normally be necessary. However, should fingerprints, dust or dirt appear, you can wipe them off with a soft, lint-free cloth. Wipe the disc in a straight line from center to edge. You can moisten the disc first with ordinary tap water if necessary.



NOTE: Do not use the detergent or abrasive cleaning agents, for they can damage the disc.

CD PLAYER

The player mechanism is fitted with self-lubricating bearing and must not be oiled or greased.

TROUBLE SHOOTING GUIDE

If you have followed the instructions and are having difficulty operating the unit, locate the PROBLEM in the left column below. Check the corresponding POSSIBLE CAUSE column to locate and remedy the problem.

PROBLEM	POSSIBLE CAUSE	SOLUTION
No power when the unit is on.	No power plug connection at the AC outlet.	Insert the power plug into the AC outlet.
No power when plugged in.	Power cord is not connected to machine.	Connect power cord to machine securely.
No sound.	Volume control is set to minimum.	Turn up the volume.
	Volume control on TV set/PA system is set to minimum.	Turn up the volume at TV/PA system.
	TV set/PA system power is OFF.	Turn on the power at TV/PA system.
	AUX OUT jacks not connected.	Follow directions on page E9 for 'Audio Connection'.
	The wrong function is selected.	Select the correct function.
CD Player does not work normally or the LED displays '- -', 'E', or '00'.	Disc is inserted upside down.	Insert disc correctly.
	Disc is dirty.	Wipe clean with soft cloth.
	Disc is scratched.	Use a new disc.
	Disc is warped.	Use a new disc.
	A nonstandard disc is inserted.	Only use discs bearing standard logo as described on page E11.
	Moisture has formed inside the CD deck.	Wait about 20 to 30 minutes to let it dry out.
	Singing Machine needs to be reset.	Disconnect the machine from the power source for 30 seconds then reconnect.
No sound - when audio is connected to a home stereo.	Source Selection on your stereo is not set properly.	Select AUX IN as the source for your home stereo.
	Improper Connection to stereo system or PA.	Follow direction on page E9 for connecting to a home stereo system.

TROUBLE SHOOTING GUIDE

PROBLEM	POSSIBLE CAUSE	SOLUTION
No sound - If audio is going through TV or VCR.	Source Selection on TV or VCR is not correct.	Follow directions on page E7 for 'Video Connection'.
CASSETTE Unsteady tape sound.	Dirty capstan.	Clean capstan.
	Irregular cassette tape winding.	Replace tape.
	Pitch control may be in wrong position.	Adjust Pitch control.
Cannot record.	The erasure prevention tabs are broken out.	Replace tape or cover tab openings with adhesive tape.
	Play button and Record button were not pressed down simultaneously.	When recording, make sure that both the Record and Play buttons are pressed down at the same time.
Recorded tape sound is distorted.	Dirty head.	Clean capstan.
	Faulty cassette tape.	Replace tape.
No song lyrics appear on the TV screen.	Video cable is not connected properly to the TV.	Connect the video cable to the Singing Machine's VIDEO OUT and to the TV VIDEO IN.
	Source selector on TV is not set to VIDEO.	Using your TV Remote to select VIDEO input.
	TV does not have video line input.	Connect from VIDEO OUT of the system to the VIDEO IN of your VCR or Connect to an RF Modulator and then to the TV cable input. Refer to "Making the Connections" on page E7. Check the disc to be sure it is a CDG.
	A CDG is loaded but the CDG indicator is not lit.	Check disc to be sure it is clean. (See page E15 for cleaning instructions.)
Picture is jumping up and down.	VERTICAL HOLD Control is not set correctly.	Adjust the VERTICAL HOLD Control.

TROUBLE SHOOTING GUIDE

PROBLEM	POSSIBLE CAUSE	SOLUTION
No image display on Singing Machine's monitor.	The Camera Lens is down.	Lift up a Camera Lens.
	Monitor Selector is not set properly.	Set MONITOR Selector to CAMERA mode.
No sound from mic.	Mic volume control.	Adjust mic volume to max. Then back it off to a comfortable level.
	Mic is off.	Turn on mic with the ON/OFF switch located on the microphone.

ENGLISH

SPECIFICATIONS

AUDIO SECTION: OUTPUT POWER (MAXIMUM) OUTPUT IMPEDANCE	5 WATTS (RMS) 8 OHMS
CD PLAYER SECTION: FREQUENCY RESPONSE SIGNAL - TO - NOISE RATIO WOW AND FLUTTER D - A CONVERSION NUMBER OF PROGRAMS SAMPLING SYSTEM	100 Hz - 20 kHz (+/- 3dB) 50 dB IMMEASURABLE 1-BIT DAC 20 STEPS RANDOM ACCESS PROGRAMMING 8 TIMES OVER SAMPLING
MONITOR SECTION (WHERE APPLICABLE)	5.5" TV MONITOR NTSC SYSTEM 220 LINE RESOLUTION
CASSETTE DECK SECTION: WOW AND FLUTTER FREQUENCY RESPONSE TAPE SPEED	0.35% (WRMS) 125 Hz - 6.3 kHz (+/- 5dB) 4.75cm/sec.
MICROPHONE	-74 dB 600 OHMS IMPEDANCE WITH Ø6.3mm DYNAMIC MICROPHONE
POWER SECTION (WHERE APPLICABLE)	AC 110V-120V~60Hz
DIMENSIONS (H x W x D)	19.3 x 12.7 x 9.2 Inches / 49.5 x 32.6 x 23.5 cm
WEIGHT	15.4 lbs / 7.0 kgs
ACCESSORIES	1. PRE-RECORDED KARAOKE CD+G DISC 2. AV CABLE 3. DYNAMIC MICROPHONE

Specifications are typical, individual units might vary. They are subject to continuous improvement without notice and without incurring any obligation.

THE SINGING MACHINE KARAOKE GLOSSARY OF TERMS

In addition to all of the terminology associated with consumer electronics products, a few additional terms are used almost exclusively in karaoke. These terms are meant to familiarize you with the world of Karaoke. The features listed below **may not** necessarily pertain to the particular model Singing Machine that you have. The following are some brief explanations of karaoke terms:

Echo:

Echo adds depth and resonance to a singer's voice without affecting the music. This echo is produced by creating minor controlled feedback in the singer's voice.

Multiplex:

Our multiplex recordings contain 2 copies of the same song. One version is a stereo recording of the song without the lead singer. The second version is recorded with the music and background vocals on the left channel and the lead singer recorded on the right channel. This 'split track' recording allows you to control the volume of the lead singer by adjusting the balance control. You can sing a duet with the lead singer or use the lead singer as a guide as you learn the song, gradually fading them out with the balance control until you are able to sing the song on your own.

Auto Voice Control (AVC):

When the AVC function is activated, the vocals on a multiplex recording are eliminated as soon as the singer begins singing into the microphone. When the singer stops singing, the vocals on the multiplex recording are automatically re-activated. This useful function is used primarily during practice sessions while a singer is learning a song. Please note that the AVC function only works with multiplex recording and not with standard audio recordings.

Pitch Control:

This function controls pitch of music by controlling the speed at which a cassette tape plays back. By increasing the speed of the tape, the music sounds higher (sharp). By slowing the tape speed, the music sounds lower (flat).

Key Controller:

Key Controller changes the key of the CD/CDG music (+ or - steps) to adjust to the singer's voice.

CDG:

This is an acronym for Compact Disc plus Graphics. You will also see variations CD+G, and CD+Graphics. This is a regular audio CD with information stored on a data track simultaneous to music. In laymen's terms, CDG has a video output for simple graphics (not full motion video). In the case of karaoke, the graphics function is used to store song lyrics, and display the lyrics in synch with music. In most cases, CDG software displays lyrics which change color as they are to be sung. A regular television is all that is required to display CDG lyrics.

NOTE - CDG is a particular type of compact disc encoding system that is different from VCD or DVD. Your Singing Machine can decode standard audio compact discs and CDG discs. It will not read VCD or DVD encoded discs.

Standard audio discs and cassette tapes will not display lyrics on your TV. Audio CDs do not contain the software necessary to display lyrics.

ADVERTENCIAS

ESPAÑOL

ADVERTENCIA: PARA REDUCIR EL RIESGO DE INCENDIOS O DE CHOQUES ELÉCTRICOS, NO EXPONGA ESTE EQUIPO A LA LLUVIA O HUMEDAD.

	CUIDADO RIESGO DE CHOQUE ELÉCTRICO NO ABRA	
CUIDADO: PARA EVITAR CHOQUES ELÉCTRICOS, NO REMUEVA LA TAPA O LA TRASERA. NINGUNA PIEZA QUE PUEDA SER ARREGLADA EN EL INTERIOR. ENTREGUE TODO EL TRABAJO DE REPARACIONES SOLAMENTE AL PERSONAL DE MANUTENCIÓN CALIFICADO.		

La marca de la CUIDADO está localizada en el panel posterior.



Este símbolo tiene la intención de alertarlo para la presencia de tensiones vivas peligrosas, en el interior de la caja del producto, con potencia suficiente, para ocasionar el riesgo de un choque eléctrico. No abra la caja del producto.



El símbolo tiene la intención de informarle que las instrucciones importantes de operación y manutención son incluidas en la literatura que es suministrada, junto con ese producto.

CUIDADO

PARA EVITAR CHOQUES ELÉCTRICOS, ENCAJE EL PINO MÁS ANCHO DEL CONECTADOR, EN LA FENDA MÁS ANCHA Y ENCAJE.

ADVERTENCIA: HUMEDAD

El producto no debe ser expuesto a goteos o a derrames de líquido y ningún objeto que tenga líquidos (por ejemplo, vasos) debe ser colocado sobre el producto.

ADVERTENCIA: VENTILACIÓN

La ventilación normal del producto no debe ser obstruida.

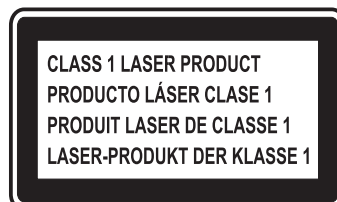
El CD Player es producido y probado, en conformidad con los estándares de seguridad. El obedece las especificaciones FCC y está conforme a los estándares de seguridad del Departamento de Salud y Servicios Humanos de los EE.UU.

ADVERTENCIAS:

- El CD Player emplea un feje de rayos láser. Solamente un técnico calificado debe remover la tapa o tentar reparar este dispositivo, debido a posible daño a sus ojos.
- El uso de controles, ajustes de procedimientos que no son los especificados aquí pueden causar una exposición peligrosa a la radiación.
- El aparato debe ser usado en area abierta.

CUIDADO

Este CD player es clasificado como un PRODUCTO LÁSER CLASE 1. La etiqueta CLASS 1 LÁSER PRODUCT está localizada en el panel posterior.



¡CUIDADO!

Radiación invisible de rayos láser cuando abierto o cuando interruptores de seguridad fueren desactivados. Evite exponer a los fejes solares.

IMPORTANTE

Una vez que el circuito eléctrico del CD puede causar interferencias en otros radios alrededor, desconecte este aparato cuando no es utilizado o desplácelo lejos del radio afectado.

Este aparato de clase [B] cumple con la norma canadiense ICES-003

ADVERTENCIAS

NOTA: Este aparato digital no excede los límites de Clase B para las emisiones de ruido de radio del aparato digital como estipulado en las Regulaciones de Interferencia de Radio de Industria Canadá. Estos límites fueran establecidos para proporcionar protección razonable contra la interferencia dañosa en una instalación residencial. Este equipo genera, usa y puede radiar energía de frecuencia de radio y, si no instaló y usó de acuerdo con las instrucciones, puede causar interferencias dañosas para las radiocomunicaciones. No hay ninguna garantía sin embargo, que la interferencia no ocurrirá en una instalación particular. Si este equipo causa interferencias dañosas para radio o televisión (qué puede determinarse apagando el equipo), el usuario debe intentar corregir la interferencia por uno o más de las medidas siguientes:

- Reoriente o re-localice la antena receptora.
- Aumente la distancia entre el equipo y receptor.
- Conecte el equipo en una toma de corriente en un circuito diferente de lo a que el receptor se conecta.
- Consulte el distribuidor o técnico de radio / Televisión para obtener ayuda.

INSTRUCCIONES IMPORTANTES DE SEGURIDAD

1. **Lea las Instrucciones** - Todas las instrucciones de seguridad y de operación deben ser leídas antes que el producto sea utilizado.
2. **Guarde las instrucciones** - Las instrucciones de seguridad y de operación deben ser guardadas, para consulta futura.
3. **Advertencias** - Todas las advertencias para uso del producto y de las instrucciones de operación deben ser obedecidas.
4. **Siga las instrucciones** - Se deben seguir todas las instrucciones operativas y de uso.
5. **Limpieza** - Desconecte este producto del tomacorriente antes de hacer la limpieza. No use detergentes líquidos o en aerosol. Use solamente un paño húmedo para limpieza de la parte externa. No intente limpiar el interior.
6. **Accesorios** - No intente usar accesorios no recomendados por el fabricante, pues ellos pueden causar daños.
7. **Agua y humedad** - No use este producto cerca del agua – por ejemplo, cerca de una bañera, balcón de cocina o estanque de lavandería, ni en local húmedo demás o cerca de una piscina.
8. **Accesorios** - No deje ese producto sobre un carrito, trípode, mesa, estante o armazones inestables. El producto puede caerse, hiriendo un niño o un adulto y quedar seriamente dañado. Use solamente con un carrito, armazón, trípode o mesa recomendado, por el fabricante o vendido con el producto. Cualquier soporte del producto debe seguir las instrucciones del fabricante y debe usar un accesorio de montaje recomendado por el fabricante.
9. El conjunto de carrito, con el equipo debe ser movido con cuidado. Paradas rápidas, fuerza excesiva y superficies desiguales pueden hacer con que el conjunto de carrito y equipo vuelque.



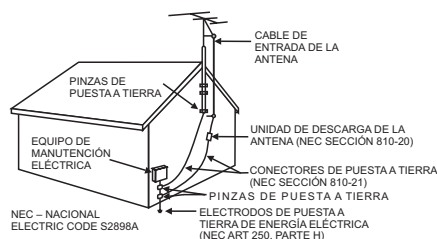
10. **Ventilación** - Las ranuras y aperturas del gabinete son hechas para ventilación y para garantizar la operación confiable del producto y para protegerlo del súper-calentamiento y estas aberturas no deben ser bloqueadas o cubiertas. La apertura nunca debe ser obstruida con la colocación del producto en una cama, sillón, alfombra o superficie semejante. Este producto no debe ser puesto en un local cerrado, tal como un estante o rack a no ser que tenga ventilación adecuada.
 11. **Fuentes de Alimentación** - Este producto solamente puede ser operado, a partir del tipo de fuente de energía, indicado en la etiqueta de identificación. Si UD no estuviera seguro del tipo de red eléctrica de su casa, pregunte al revendedor o concesionaria local de energía eléctrica. Para productos que operan con batería u otras fuentes, consulte las instrucciones de operación.
 12. **Clavija de puesta a tierra** - El producto puede ser equipado con un conector polarizado de línea de corriente alternada (es decir, un conector con una clavija más ancha que la otra). Este conector se encaja en la toma, de una única forma. Esto es un recurso de seguridad. Si el conector no encaja correctamente, délo vuelta e intente de nuevo. Si el conector todavía así, no encaja, entre en contacto con su técnico para sustituir su toma antigua. No intente anular la seguridad de la enchufe de puesta a tierra.
- Advertencias alternativas** - El producto puede ser equipado con un conector de tres clavijas con puesta a tierra (enchufe con una tercera clavija para tierra). Este conector se encaja en una toma, con puesta a tierra. Esto es un recurso de seguridad. Si el conector todavía así, no encaja, entre en contacto con su técnico para sustituir su toma antigua. No intente anular la seguridad de la enchufe de puesta a tierra.

INSTRUCCIONES IMPORTANTES DE SEGURIDAD

13. Protección del Cable de Fuerza - Cables de fuerza deben ser posicionados de manera que ellos no sean pisados o prensados por objetos puestos sobre o contra ellos, tomando cuidado especial con los cables, en los conectadores, extensiones y en el punto en que salen del producto.

14. Conector de Interconexión con Protección - El producto es equipado con un conector con protección de sobrecarga. Esto es un recurso de seguridad. Vea el Manual de Instrucciones para la sustitución o reposición del dispositivo de protección. Si el cambio del tomacorriente es necesario, vea si el técnico de mantenimiento usa el conector de sustitución especificado por el fabricante, con la misma protección, contra sobrecargas que la del conector original.

15. Puesta a tierra de la Antena Externa - Si una antena externa es conectada al receptor, certifíquese de que el sistema de la antena está puesto a tierra de manera a dar alguna protección, contra picos de tensión y/o acumulo de cargas estáticas. El artículo 810 del National Electrical Code, ANSI/INFP 70, da las informaciones referentes a la puesta a tierra adecuada del mástil y de la estructura de soporte, toma a tierra del cable de entrada, a una unidad de descarga de la antena, tamaño de los conductores de tierra, localización de la unidad de descarga de la antena, conexión de electrodos de puesta a tierra y las especificaciones del electrodo de puesta a tierra. Vea la figura:



16. Relampagueo - Para protección adicional para este producto, durante una tormenta de rayos o cuando el equipo no esté en uso o sin uso, durante largos periodos de tiempo, retire el cable del enchufe y desconecte la antena o sistema de cable. Esto evita los daños del producto debido a rayos y picos de tensión de la red.

17. Líneas de Potencia - Un sistema externo de antenas no debe ser instalado en la vecindad de líneas aéreas de energía eléctrica o de otros circuitos de iluminación o de energía eléctrica, o donde él pueda caer en esas líneas de transmisión o circuitos eléctricos. Al instalar un sistema de antena externa, debe tener un cuidado extremo para evitar apoyarse en líneas de energía o circuitos eléctricos, pues el contacto con ellos puede ser fatal.

18. Sobrecarga - No sobrecargue la tomacorriente, cables de extensión o tomacorrientes auxiliares, pues eso puede causar un incendio o una descarga eléctrica.

19. Penetración de Objetos o Líquidos - Jamás insiera cualquier tipo de producto por las aperturas, pues ellas pueden tocar en puntos de alta tensión o causar un corto-circuito en piezas que pueden causar un incendio o choque eléctrico. Jamás derrame ningún tipo de líquido en el producto.

20. Servicio - No intente reparar este producto por sí mismo, pues abrir o remover las tapas pueden, exponerlo a tensiones peligrosas u otros riesgos. Entregue todo el trabajo de reparaciones solamente al personal de mantenimiento calificado.

21. Daños que Necesitan de Reparos - Desconecte este producto del tomacorriente y envíelo al personal de mantenimiento calificado, en las siguientes condiciones:

- Cuando el cable de energía o conector están dañados,
- Si líquidos hubieran sido derramados, los mismos caerán en el producto,
- Si el producto fue expuesto a la lluvia o agua,
- Si el producto no operar normalmente siguiendo las instrucciones de operación. Ajuste solamente los controles que son descritos por las instrucciones de operación, pues un ajuste inadecuado de otros controles puede causar daño y pueden, frecuentemente, necesitar de un trabajo intenso por un técnico calificado, para que el producto vuelva a su operación normal.
- Si el producto hubiere sufrido una caída o ha sido dañado de alguna forma y
- Cuando el producto muestra una clara alteración en el desempeño, eso indica la necesidad de una revisión técnica.

22. Reposición de Piezas - Cuando piezas de reposición sean necesarias, vea si el técnico de mantenimiento usó las piezas especificadas por el fabricante o si ellas tienen las mismas características de la pieza original. Sustituciones de piezas no autorizadas pueden causar incendios, choques eléctricos u otros riesgos.

23. Prueba de Seguridad - En el final de cualquier arreglo de este producto, solicite al técnico de mantenimiento, que efectúe las pruebas de seguridad, para determinar si el producto está en condiciones adecuadas de funcionamiento.

24. Montaje en la Pared o en el Techo - El producto debe ser montado en la pared o en el techo, solamente cuando recomendado por el fabricante.

25. Solución (Salud) - El producto debe ser puesto lejos de fuente de calor, tales como: radiadores, registro de calor, hornos u otros productos (incluyendo amplificadores que generen calor).

INTRODUCCIÓN

Su **KaraokeVision™** Disco Compacto + Gráficos con el Central de karaoke en la TV le dará muchos años de placer y entretenimiento. Usted será la “estrella” cantando con sus grabaciones favoritas así como escuchando a su voz con la música a través de los altoparlantes del sistema.

Este aparato de karaoke es compacto y diseñado para incluir muchas funciones, todavía es fácil usar. Después de algunas instrucciones sencillas, UD puede tornarse un experto. Antes de que usted intente usar su unidad, por favor lea este manual completamente para familiarizarse con todas las funciones disponibles y las secciones del manual que describen su funcionamiento. A seguir vaya para la sección de la operación específica que UD quiere ejecutar.

Para una consulta fácil, aquí está una lista con las principales características del Centro Karaoke:

Letra de la música en la pantalla de la TV - Muestra la letra de la música con el tiempo de la música al reproducir los discos CDG.

Control Automático de Voz (A.V.C.) - Permite que UD sustituya la voz original del canto con su propia voz, cuando cualquier disco pregrabado del tipo múltiple karaoke es reproducido. Para activar, gire el Volumen del MIC a un nivel confortable de escucha y el Control Auto Voice para el mejor equilibrio entre los niveles de playback y micrófono.

Control Balance - le permite ajustar el equilibrio entre el la voz pre-grabada del cantante original y la música al usar un disco de karaoke multiplex.

Control Echo - Permite que UD acrecenté un eco y de a su voz un efecto de sala de conciertos.

Control del Volumen Principal - Permite que UD gire el control de volumen del micrófono en el sentido del reloj o en contra de las agujas del reloj hasta que el nivel de volumen deseado sea obtenido.

Multiplique Karaoke Music Center - El toca CD de audio de discos CDG y cintas cassette en su unidad de casete.

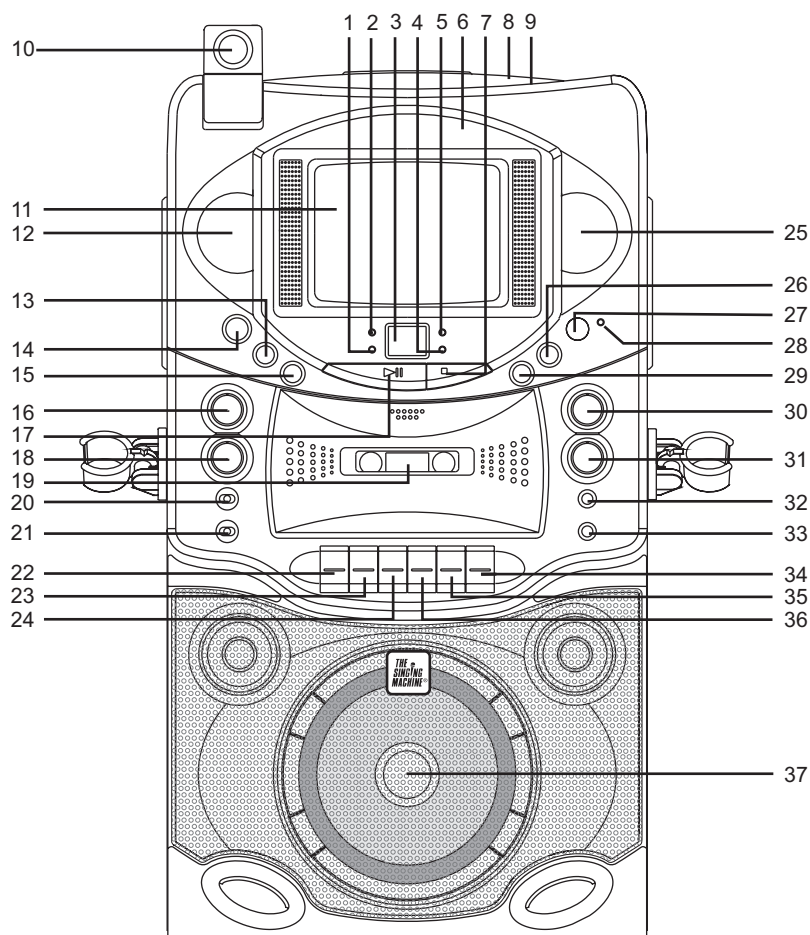
KaraokeVision™ - Levante la lente de la camera par mostrar su imagen en el monitor de la Singing Machine.

Altavoz Estéreo Incorporado - Permite que UD comparta la música con su familia y sus amigos.

Toma de Salida Auxiliar - le permite conectar otro componente de audio, como un ecualizador /booster o un sistema de PA.

LOCALIZACIÓN DE CONTROLES

ESPAÑOL



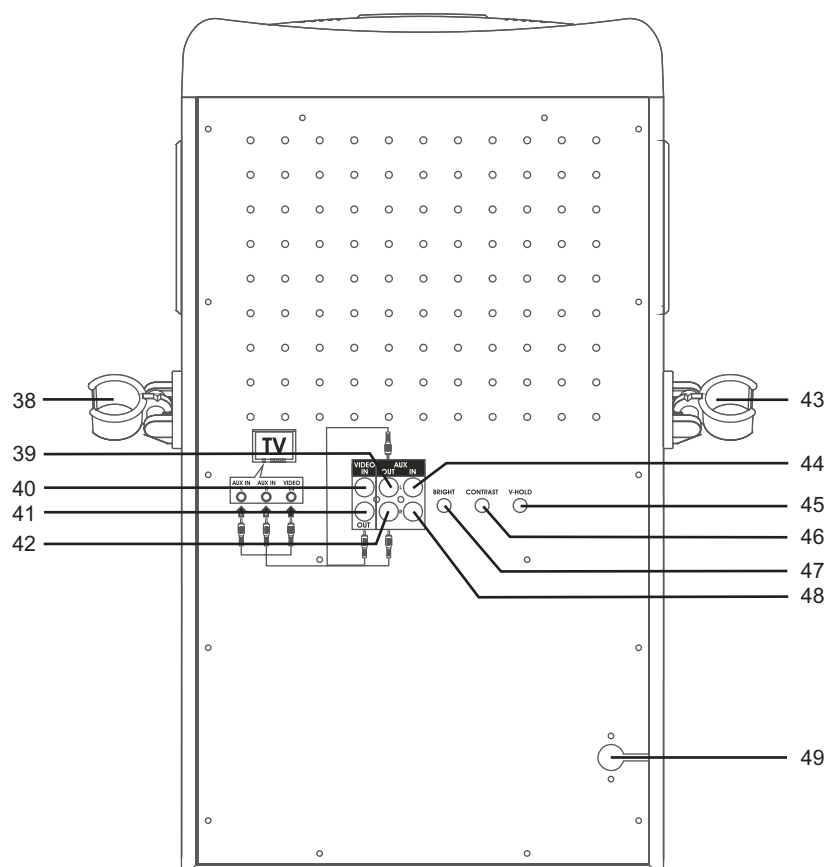
VISIÓN FRONTAL

- | | | |
|--|-------------------------------------|-------------------------------|
| 1. Indicador REPEAT | 13. Botón PROGRAM | 27. Botón Encender/Apagar |
| 2. Indicador PROGRAMA | 14. Botón VIDEO OUT | 28. LED Encender/Apagar |
| 3. LED | 15. Botón REPEAT | 29. Botón SKIP ◀◀ |
| 4. Indicador de CDG | 16. Control PITCH | 30. Control ECHO |
| 5. Indicador del PLAY/PAUSE | 17. Botón PLAY/PAUSE | 31. Control Automático de Voz |
| 6. Numero del Modelo | 18. Control BALANCE | 32. Conectador MIC 1 |
| 7. Botón de STOP | 19. Puerta de la Unidad de Cassette | 33. Conectador MIC 2 |
| 8. Puerta del CD | 20. FUNCIÓN SELECTOR | 34. Botón PAUSE |
| 9. Botón para abrir el gabinete del CD | 21. Selector MONITOR | 35. Botón STOP/EJECT |
| 10. Lentes de la CÁMARA | 22. Botón RECORD | 36. Botón FAST FORWARD |
| 11. Monitor | 23. Botón PLAY | 37. Altavoz |
| 12. Control MASTER VOLUME | 24. Botón REWIND | |
| | 25. Control MIC VOLUME | |
| | 26. Botón SKIP ▶▶ | |

S5

LOCALIZACIÓN DE CONTROLES

ESPAÑOL



VISTA TRASERA

- | | |
|---------------------------------|----------------------------------|
| 38. Soporte de los Micrófono | 44. Toma de Entrada Auxiliar (D) |
| 39. Toma de Salida Auxiliar (D) | 45. Control VERTICAL HOLD |
| 40. Toma VIDEO INPUT | 46. Control de CONTRASTE |
| 41. Toma VIDEO OUT | 47. Control de BRILLO |
| 42. Toma de Salida Auxiliar (E) | 48. Toma de Entrada Auxiliar (E) |
| 43. Soporte de los Micrófono | 49. Toma corriente ENTRADA CA |

HACIENDO LAS CONEXIONES

CONECTANDO A LA ENERGÍA DE LA RED

UD puede alimentar el sistema del tomacorriente normal de CA usando el cable de energía suministrado.

CUIDADO: El cable de energía de CA que se incluye tiene una clavija polarizada que entra en el enchufe de la pared sólo de una forma. Si la clavija no entra de manera adecuada, voltéela e intente de nuevo. No la fuerce.

CONEXIÓN AL APARATO DE TV

La Singing Machine incluye un cordón para proporcionar la opción de conectar un sistema de audio /sonido externo y/o dispositivo de video. El cordón tiene tres conectores RCA en cada extremidad; el Blanco y Rojo son para las conexiones audio, el Amarillo es para conectar el video.

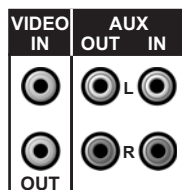
Se recomienda que un disco de CDG esté jugando mientras usted conecte su televisión o VCR. El despliegue del logotipo de la Singing Machine o letras en la pantalla de su televisión asegurará que usted ha conectado su televisión o VCR propiamente.

CONEXIÓN DE VIDEO

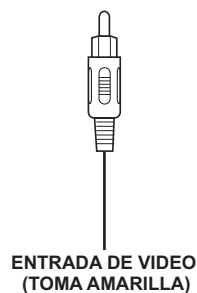
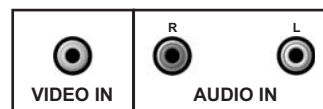
Siga los pasos abajo, para exhibir las letras de las músicas CDG en el monitor de la Singing Machine, pantalla de TV:

- (1) Localice los cables de interconexión multicolores.
- (2) Conecte el cable video (Amarillo) a la salida VIDEO en el lado de la Singing Machine.
- (3) Conecte la otra punta del cable de video (amarillo) a la salida de video de otra fuente tal como VCR o TV.

VISTA POSTERIOR DE LA SINGING MACHINE



VISTA POSTERIOR DE LA TV



HACIENDO LAS CONEXIONES

Sí su televisión o VCR no tiene la entrada de video necesaria, UD necesitará de un Modulador RF, que se conecta a la entrada de la antena o de línea de cable de su TV y sirve como entrada de video.

Un modulador de RF puede ser adquirido en cualquier tienda de artículos electrónicos. Sí UD estuviera conectando el video de una Singing Machine en la toma de entrada de video de una TV o VCR, UD debe especificar el origen que la TV o VCR deben exhibir. El guía de usuario de su TV o VCR pueden le decir como exhibir el señal de video de la toma de entrada de video.

Sí UD no tiene el manual de su TV o VCR, sugerimos llamar el departamento de asistencia técnica del fabricante. Solamente el fabricante será capaz de decir, rápidamente, como configurar su TV o VCR para visualizar la señal de video, entrando pela toma de entrada de video.

* Anotar: Algunos aparatos de TV con proyección no exhiben el fondo azul estándar usado, en la mayoría de los CDG propietarios. Sí el color de fondo fuera inconsistente o parpadear, conecte su Singing Machine a una TV estándar.

FORMAS COMUNES DE CONFIGURAR SU TV O VCR

Su Singing Machine fue proyectada para conectarse a su TV de la misma manera que UD conecta una cámara de video, VCR o consola de video game. La Singing Machina está enviando, constantemente, señales de video y de audio para las tomas VIDEO OUT y AUX OUT siempre que UD toca un CDG. Nosotros recomendamos tocar un CDG en su Singing Machine antes de hacer estas conexiones. Usted podrá ver las letras en su televisión cuando usted completar la conexión correctamente.

Nosotros nos referimos a TV/VCR porque fabricantes usan formas muy semejantes para conectar TVs y VCRs y UD puede conectar su Singing Machine a una TV, un VCR o a un sistema de satélite. La configuración de su TV/VCR es la parte más difícil al hacer la conexión para visualizar las letras de las músicas de su Singing Machine. E la mayoría de las casas, la TV tiene un cable o una antena en uso. Una vez usted su Singing Machine conectada al TV/VCR, escoja la entrada correcta en su TV/VCR desplegar las letras de La Singing Machine en lugar de la entrada usual del cable o antena.

Verifique en el manual de usuario de su TV/VCR, la forma más fácil de configurar su sistema de entretenimiento en particular. Si usted no tiene su manual contacte su fabricante de TV /VCR para informaciones por el teléfono o en su website para ayuda en línea. Relacionamos abajo las formas más comunes de ajustar una TV/VCR.

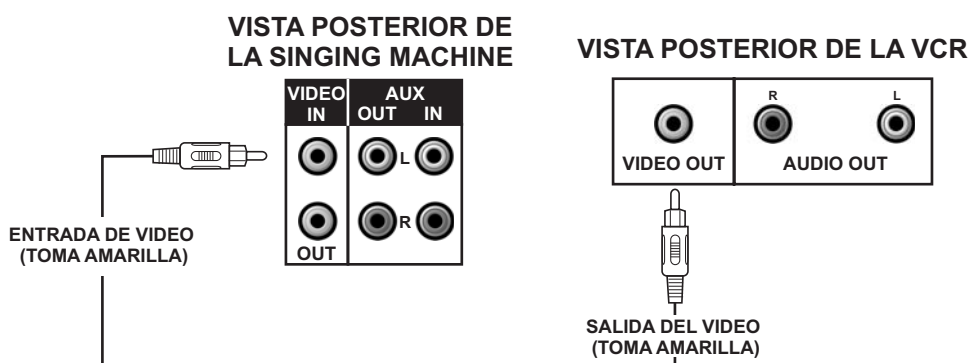
- (1) En el menú de configuración de la TV/VCR puede haber una opción para "Selección de Entrada" donde UD puede escoger entre "CAO/ANT", "Video 1" o "Video 2" como fuente de entrada.
- (2) Intente localizar un canal "Video" entre el canal más alto y el canal más bajo en su televisión o VCR. (entre 99 y 2; también puede ser uno de los siguientes: "VIDEO", "ENTRADA" o "JUEGO")
- (3) Busque un botón en el telemando para el TV/VCR que usted está conectando desplegando "VIDEO", "VIDEO 1", "JUEGO", "AUX", "EXT", "LÍNEA 1", "LÍNEA-EN" o el botón de "VCR" podrá también desplegar la entrada Video.

HACIENDO LAS CONEXIONES

CONECTANDO UN COMPONENTE DE VIDEO EN LA ENTRADA

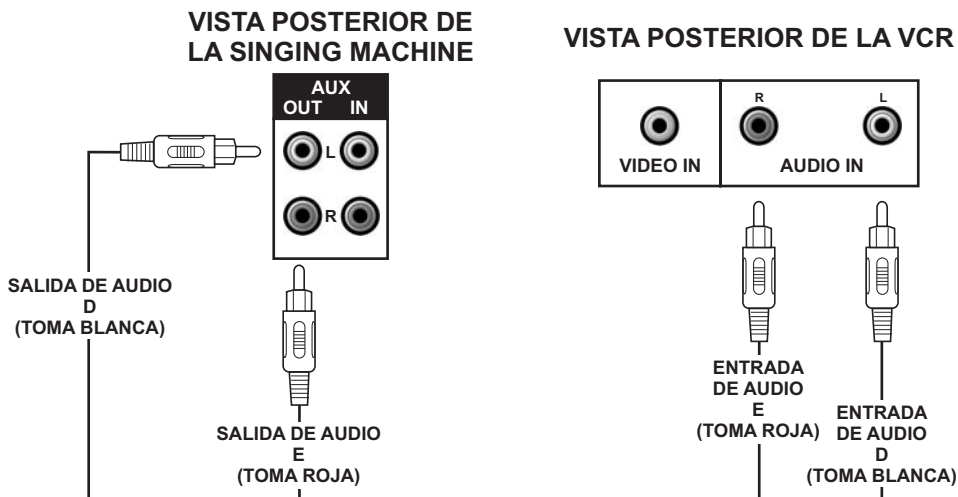
Siga los pasos abajo, para exhibir las letras de las músicas CDG en el monitor de la Singing Machine, de otra fuente de video:

- (1) Localice los cables de interconexión multicolores.
- (2) Conectar el cable vídeo (amarillo) a la entrada Vídeo en el lado de la Singing Machine.
- (3) Conecte la otra punta del cable de video (amarillo) a la salida de video de otra fuente tal como VCR o TV.
- (4) Ponga la llave FUNCTION SELECT en AUX y MONITOR ON/OFF, en ON.
- (5) Ajuste los botones de BRILLO, CONTRASTE y SOSTENIMIENTO VERTICAL localizados bajo el monitor de la Singing Machine para mejorar la calidad de imágenes.



CONEXIÓN DE AUDIO

Conecte el unidad a su TV o sistema estereofónico usando las conexiones blanca y roja del cable de interconexión suministrado. Conecte la punta blanca del cable de interconexión en la toma blanca de salida del unidad. Conecte la punta roja del cable de interconexión en la toma roja de salida del unidad. Conecte ahora la otra punta del cable (conector blanco del canal izquierdo y conector rojo del canal derecho) en las enchufes AUDIO IN o AUX IN de su TV o sistema de son.

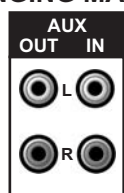


HACIENDO LAS CONEXIONES

CONECTANDO UN COMPONENTE DE AUDIO EN LA ENTRADA

Para conectar otra fuente de audio (tal como un Sintonizador, Receptor AV o un VCR) de forma que UD pueda acompañar la música, conecte, simplemente, las tomas de Salida de Audio (tomas RCA roja y blanca) de este equipo a las tomas AUX IN D y E de la Singing Machine.

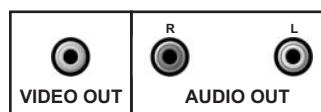
VISTA POSTERIOR DE LA SINGING MACHINE



ENTRADA
AUXILIAR E
(TOMA ROJA)

ENTRADA
AUXILIAR D
(TOMA BLANCA)

OTROS COMPONENTES DE AUDIO



SALIDA DE
AUDIO E
(TOMA ROJA)

SALIDA DE
AUDIO D
(TOMA BLANCA)

ESPAÑOL

SELECTOR MONITOR

- Para reproducir un CDG, deje el selector MONITOR en el modo CÁMERA, CDG/AUX u OFF.
- Para exhibir su imagen en el monitor de la Singing Machine, deje el selector MONITOR en el modo CÁMARA.
- Para exhibir las letras de las músicas del CDG en el monitor de la Singing Machine, deje el selector MONITOR en el modo CDG/AUX.
- Para desplegar un señal video de otro componente A/V, ponga el Seleccionador de FUNCIÓN al modo AUX y el Seleccionador del MONITOR al modo CDG/AUX.
- Para el monitor de la Singing Machine, deje el selector MONITOR en el modo OFF.
- Ajuste los botones de BRILLO, CONTRASTE y SOSTENIMIENTO VERTICAL localizados bajo el monitor de la Singing Machine para mejorar la calidad de imágenes.

FUNCIÓN SELECTOR Y BOTÓN VIDEO OUT

- Para exhibir la imagen en la TV, deje el selector FUNCTION en la posición CDG y deje el botón VIDEO OUT en el modo CAMERA.
- Para exhibir las letras de las músicas del CDG en la TV, deje el selector FUNCTION en la posición CDG y deje el selector VIDEO OUT en el modo CDG.

OPERACIÓN CD O CD+G

PREPARACIÓN

- Esta unidad fue proyectada para reproducir CDs que contengan el logotipo de identificación "CD+G". Si los CD no están de acuerdo con el estándar CD, ellos no reproducirán adecuadamente.
- Impresiones digitales y polvo deben ser, cuidadosamente, removidos con un paño suave. Pase el paño con un movimiento del centro del disco para el borde externo.
- Jamás use productos químicos tales como aerosol de limpieza, aerosol antiestático o fluidos, benceno o disolvente para limpiar un CD. Estos productos químicos pueden dañar, permanentemente, la superficie de plástico del disco.
- Instale un disco en el compartimiento, con el lado impreso para arriba.
- Para remover un disco de su caja, presione el centro de la caja y levante el disco, tomándolo, cuidadosamente, por las bordes.
- Los discos deben ser colocados, de nuevo, en sus cajas después del uso, para protegerlos del polvo y arañazos.
- Para evitar que el disco quede chueco, no lo exponga a la luz directa del sol, ni a un alto índice de humedad o a altas temperaturas, por períodos prolongados.
- No pegue papel ni escriba cualquier cosa, en cualquier fase del disco. Las pinturas usadas en algunos lápices hidrográficos pueden dañar la superficie del disco.

REPRODUCIENDO UN CD O CDG

- Ajuste los controles MASTER VOLUME de su unidad o sistema de audio, a su gusto.
- Ajuste MIC/ECHO/BALANCE lo necesario para alcanzar la mezcla deseada de música y voz, en su TV o equipo de música.
- No presione el gabinete del compartimiento del CD, cuando el mismo esté en reproducción.
- Jamás ponga cualquier cosa que no sea un CD en el compartimiento de CD. Objetos extraños pueden dañar la unidad.
- No ponga fuerza en exceso en la tapa del disco.
- Instale solamente un disco en la bandeja, de cada vez.

ENCENDIENDO Y APAGANDO

- Para encender el centro de karaoke, apriete el botón ON/OFF, el LED ON/OFF encenderá.
- Para desligar el sistema, presione el botón Encender/Apagar de nuevo, el LED de Encender/Apagar apaga.

FUNCIÓN SELECCIONAR

Ponga la llave FUNCTION SELECT en CD+G.

SELECCIÓN MONITOR

- Para reproducir un CDG, deje el selector MONITOR en el modo CAMERA, CDG/AUX u OFF.
- Para exhibir las letras de las músicas del CDG en el monitor de la Singing Machine, deje el selector MONITOR en el modo CDG/AUX.
- Para el monitor de la Singing Machine, deje el selector MONITOR en el modo OFF.
- Ajuste los botones de BRILLO, CONTRASTE y SOSTENIMIENTO VERTICAL localizados bajo el monitor de la Singing Machine para mejorar la calidad de imágenes.

INSTALANDO UN DISCO

- Presione el botón OPEN ▲ para abrir la puerta del compartimiento de CD. Instale un disco en el compartimiento, con el lado impreso para arriba y el lado brillante para abajo.
- Presione el punto CLOSE en la puerta del CD, para cerrarla nuevamente. El visor del LED muestra el número total de pistas. (Si ningún disco está cargado, el visor mostrará " - -".)

(Consulte el Guía de Diagnóstico y Reparaciones en la página S16 si el disco estuviera cargado, pero el total de pistas no aparezca.)

OPERACIÓN CD O CD+G

MODO PLAY/PAUSE

- Para empezar a tocar, presione el botón PLAY/PAUSE. La primera trilla [1] y el indicador del LED PLAY PAUSE será visto.
- Para interrumpir la reproducción, presione el botón PLAY/PAUSE de nuevo. El LED PLAY/PAUSE centellea.
- Para continuar a reproducir, presione, de nuevo, el botón.

OBSERVE QUE: Presionando PAUSE cuando un CDG está tocando, puede hacer con que letras destorcidas aparezcan en el monitor. Cualquier distorsión debe permanecer hasta que toda la pantalla sea borrada, durante una interrupción instrumental o cuando UD para la canción y reinicia.

MODO STOP

Sí el botón STOP es presionado durante la reproducción, el disco interrumpe la reproducción. (El número total de pistas será mostrado en el visor LED.)

SALTE REPRODUCCIÓN (Para Discos CD y CDG.)

- Durante el modo STOP, UD puede saltar hasta el número de trilla deseado, pulsando los botones SKIP (◀◀ - SKIP - ▶▶).
- Para continuar a reproducir, presione, de nuevo, el botón PLAY/PAUSE.

¿CÓMO BUSCAR PISTAS? (SOLAMENTE PARA CD.)

Al tocar cualquier CD de audio, presione y mantenga presionado el botón SKIP (◀◀ -SKIP- ▶▶) para hacer una búsqueda, en alta velocidad, para adelante e para tras. Reproducción normal continua cuando UD suelta el botón.

REPITA

- Para repetir la pista actual, presione el botón REPEAT. El LED REPEAT parpadea y la trilla será repetida.
- Para repetir todas las huellas, apriete el botón REPITA dos veces. El LED REPEAT permanecerá iluminado.
- Para cancelar la función REPEAT, apriete el botón REPEAT de nuevo. El LED REPEAT ya no iluminará.

PROGRAMA

- Use el botón PROGRAM para reproducir las músicas en el orden preseleccionado.
 - Paso 1: La programación debe ser hecha en el modo de parada. Solamente presione la tecla de programa hasta que el LED de programa parpadee, la pista será mostrada [0].
 - Paso 2: Presione el botón SKIP (◀◀ -SKIP- ▶▶) para seleccionar una pista deseada.
 - Paso 3: Presione el botón PROGRAM, para confirmar la entrada. UD puede repetir los pasos hasta un máximo de 20 pistas.
 - Paso 4: Presione PLAY cuando UD tenga completado la programación y esté listo para empezar a cantar.
- Para borrar todas las memorias de programación, presione el botón STOP.

TOCA INTRODUCCIÓN

- Presione una vez el botón INTRO y presione PLAY. El CD player reproduce hasta 10 segundos de cada trilla como introducción.
- Presione nuevamente el botón INTRO para interrumpir la reproducción del inicio de cada pista.

OPERACIÓN DE LA UNIDAD DE CINTA CASETE

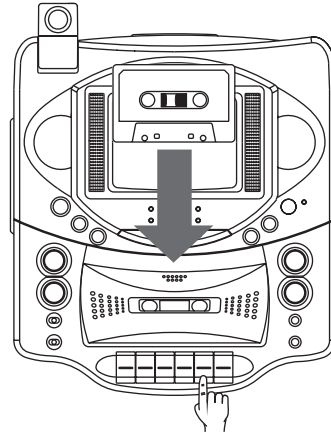
INSTALANDO Y REMOVIENDO CASETES

Siga esos pasos para colocar y retirar cintas cassetes.

1. Presione el botón STOP/EJECT (10).
2. Instale una cinta con el lado deseado en su dirección, superficie de la cinta para abajo. Evite tocar la cinta.
3. Cierre la tapa del casete/tapa de la unidad de cinta.

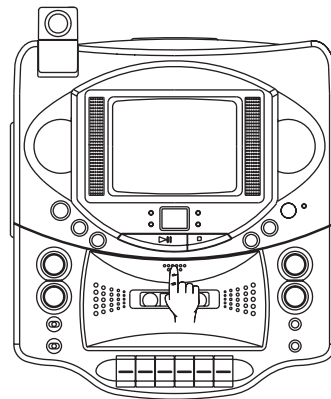
Para garantizar un trabamiento firme del soporte de casete/ tapa de la cinta, presione la puerta del cassette en el centro o en el punto superior derecho hasta oír un clic.

NOTA: Para sacar, presione el botón STOP/EJECT (10), remueva la casete y cierre la tapa.



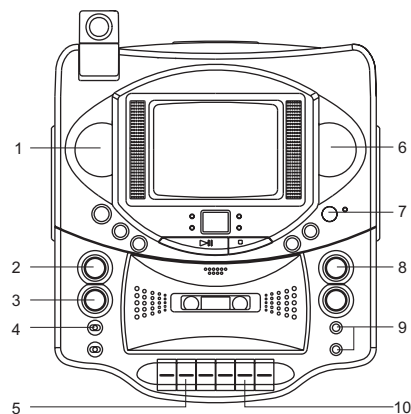
PLAYBACK

1. Encienda POWER (7).
2. Ponga la llave (4) FUNCTION SELECT en TAPE.
3. Coloque el casete en su compartimiento.
4. Presione los botones PLAY (5).
5. Ajuste MASTER VOLUME (1), y BALANCE (3), a su gusto.
6. Para parar la cinta en cualquier de los decks, presione una vez STOP/EJECT (10) de aquel deck. (Si se presiona una segunda vez, se abrirá la tapa de la casetera.) O, cuando, una cinta llega al fin, el Deck para, automáticamente, y su botón de PLAY (5) es liberado.



MICRÓFONO/ECHO/PITCH

Cuando ambos o cualquier de los micrófonos son conectados a las (9) tomas de micrófonos, sus salidas son fijadas con el Cintas Casete. Ajuste MIC VOLUME (6) para el mejor equilibrio entre los niveles de reproducción de la cinta cassette y del micrófono. Ajuste ECHO (8) para dar profundidad y riqueza a las voces, y ajuste PITCH (2) para controlar la velocidad de reproducción de la cinta cassette.



OPERACIÓN DE LA UNIDAD DE CINTA CASETE

ACOMPAÑE – CINTA

1. Siga las instrucciones para **PLAYBACK**.
2. Siga las instrucciones para **MICROPHONE/ECHO/PITCH**.
3. Ajuste **MASTER VOLUME (1)**, **ECHO (8)**, **PITCH (2)**. Su voz se combinará con la salida de la pista y se escuchará a través de las bocinas.
4. Con la **Singing Machine** o cassetes múltiplex semejantes, UD puede hacer duetos, junto con el artista y la música de fondo grabada. O girando el control **BALANCE (3)** UD puede eliminar la trilla vocal y tener un desempeño solo con la música de fondo.

G R A B A C I Ó N D E L ACOMPAÑAMIENTO – DISCO CD O CDG (SOLAMENTE AUDIO, VIDEO NO ES POSIBLE.)

1. Instale un cassette virgen.
2. Instale un disco CD/CDG de la **Singing Machine** o pregrabado en el compartimiento/bandeja del CD.
3. Gire el control de **PITCH/Volumen** del MIC para la posición central.
4. Ponga la llave **FUNCTION SELECT** en **CD+G**. Presione **SKIP** para el número de la trilla de la cual UD quiera grabar.
5. Presione **PLAY** para comenzar la reproducción en el toca CD. Presione ambos los botones **RECORD** y **PLAY** del Deck de **Cassette**, al mismo tiempo, para empezar a grabar. La salida combinada de su voz y del playback de la trilla del CD o CDG será grabada en la cinta virgen.

AMPLIFICACIÓN DE LA POTENCIA – USANDO UN MICRÓFONO

Procedimiento de Operación con la Amplificación de Potencia.

1. Conecte el micrófono suministrado a una de las toma (as) de entrada MIC.
2. Presione el botón **POWER** para encender el aparato.
3. Presione el selector **FUNCTION** para seleccionar la función "TAPE". Gire el control de Volumen del MIC para la posición central.
4. Conecte el Micrófono con el selector **ON/OFF** localizado en el propio micrófono y hable o cante, a través del. La sensibilidad y el volumen del micrófono pueden ser ajustados, como deseado, girando el control de **VOLUME MIC** y/el control **MASTER VOLUME**.
5. Para dar profundidad y ambiente a su voz, ajuste el control de **ECO**, hasta que el efecto deseado sea conseguido.

Anotaciones: Para evitar feedback o chillados, verifique si el micrófono no está cerca demás del unidad.

ESPAÑOL

CUIDADOS Y MANTENIMIENTO

INTERRUPTOR DE ENCENDIDO / APAGADO

Después de usar la unidad, apáguela al presionar el interruptor de Encender/ Apagar.

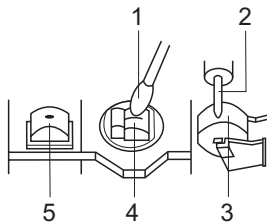
LIMPIEZA DE LA UNIDAD

Para limpiar el exterior de la unidad, simplemente limpie con un trapo suave y humedecido con agua tibia.

LIMPIEZA DE LAS CABEZAS DE LAS CASETERAS

Cuando el casete está corriendo, se acumula el residuo magnético del mismo y el polvo de manera natural en las cabezas de las caseteras, los cabrestantes y los cilindros y cuando ya están muy sucios usted encontrará que:

- La calidad del sonido se deteriora.
- El nivel de salida del sonido baja.
- No se borra por completo la grabación anterior.
- Que la grabación no se lleva a cabo de manera satisfactoria. Por lo tanto, para obtener un alto rendimiento continuo de las caseteras, limpie periódicamente las cabezas, los cabrestantes y los cilindros cuando tengan acumulaciones de polvo y se observen partículas de óxido color rojas/café. Para hacer esto, abra las caseteras. Con cuidado, frote cada una de las cabezas (4, 5), los cilindros (3) y los cabrestantes (2) con un pedazo de algodón (1) humedecido con alcohol isopropílico o líquido especial para limpiar las cabezas.



Se puede adquirir limpiadores para cabezas de marca propia en la mayoría de los establecimientos donde se venden productos de alta fidelidad.

CUIDADO DE LAS CASETERAS

Use un trapo exprimido, suave y humedecido con agua limpia y tibia. Nunca use benceno u otros limpiadores químicos fuertes, ya que pueden dañar el acabado de la unidad. Es importante que ningún líquido entre a la parte interna de la unidad.

NOTA

- * Nunca permita que desarmadores u otros objetos de metal tengan contacto con las cabezas de las caseteras. Esto raspará la superficie sensible dañando así a sus cassetes.
- * No se debe colocar imanes u objetos magnetizados cerca de las cabezas.

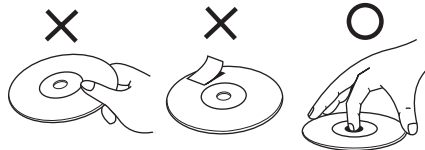


Para prevenir incendios o choques eléctricos, desconecte su aparato de la fuente de energía de CA cuando lo esté limpiando.

DISCOS COMPACTOS

Manejo de los discos

Aunque las pistas de música en el disco estén cubiertas con una capa protectora, es recomendable tratar al disco con cuidado. Asegúrese de agarrar los discos de los bordes y colocarlos en sus estuches inmediatamente después de usarlos.



LIMPIEZA DE LOS DISCOS

Por lo general, no será necesario limpiar los discos. Sin embargo, en caso de aparezcan huellas digitales, polvo o suciedad, los puede limpiar con un trapo suave que no suelte pelusas. Limpie el disco con movimientos rectos del centro hacia fuera. Puede humedecer el disco primero si es necesario.



ATENCIÓN: No use detergentes o agentes abrasivos para limpiar los discos, ya que pueden dañarlos.

REPRODUCTOR DE CD

El mecanismo del reproductor de CD contiene soportes auto lubricantes, los cuales no se deben aceitar o engrasar.

GUÍA DE DIAGNÓSTICO Y ARREGLO DE FALLAS

Sí UD ha seguido las instrucciones y está con dificultades en operar la unidad, localice el PROBLEMA en la columna izquierda abajo. Verifique la columna CAUSA PROBABLE para localizar y reparar el problema.

PROBLEMA	CAUSA PROBABLE	SOLUCIÓN
Sin tensión cuando activado.	Conector CA no está conectado en la toma.	Instale el conector de alimentación en la conexión CA.
Sin tensión cuando conectado.	El cordón de suministro de energía no es conectado a su Singing Machine.	Conecte el cordón de suministro de energía firmemente.
Sin sonido.	Control de Volumen ajustado al mínimo.	Aumente el volumen.
	Control de Volumen de la TV /sistema PA ajustado al mínimo.	Aumente el volumen de la TV/sistema de PA.
	Aparato de TV/Sistema de PA está desconectado.	Accione la energía eléctrica para la TV/sistema de PA.
	Toma AUX y OUT no conectadas.	Siga las instrucciones en la página S9 para "Conexión de Audio".
CD player no funciona normalmente o el LED despliega "--", "E" o "00"	La función incorrecta fue seleccionada.	Seleccione la función correcta.
	Disco colocado con su fase al contrario.	Instale el disco correctamente.
	Disco está sucio.	Pase un paño suave y limpio.
	Disco está arañado.	Use un disco nuevo.
	Disco está chueco.	Use un disco nuevo.
	Un disco sin estandarización fue colocado.	Use solamente los discos que tengan el logotipo estándar como descrito en la página S11.
	Acumulo de humedad en el interior del deck de CD.	Espere aproximadamente 20 a 30 minutos para dejar secar.
	Singing Machine necesita ser reiniciada (reset).	Desconecte la máquina de la corriente durante 30 segundos y reconecte.

ESPAÑOL

GUÍA DE DIAGNÓSTICO Y ARREGLO DE FALLAS

PROBLEMA	CAUSA PROBABLE	SOLUCIÓN
Ningún sonido - cuando el audio es conectado a un sistema estéreo de casa.	La selección de la fuente no está bien configurada en el estéreo.	Seleccione AUX IN como entrada para su equipo doméstico de música.
	Conexión inadecuada al sistema estéreo o amplificador de potencia.	Siga las instrucciones en la página S9 para conectando a un sistema estereofónico doméstico.
Sin sonido - si el audio estuviera pasando por TV o VCR.	Selección de Entrada en la TV o VCR no está correcta.	Siga las instrucciones en la página S7 para "Conexión de video".
CINTA CASETE Sonido de la cinta inestable.	El cabrestante está sucio.	Limpie el cabestrante.
	Reenrollar de la cinta casete irregular.	Sustituya la cinta.
	Botón de pitch puede estar en la posición incorrecta.	Ajuste el control de Pitch (velocidad de cinta).
No se puede grabar.	Los lacres de protección contra grabación fueran rotos.	Recoloque las tapas o cubra las aperturas con cinta adhesiva.
	Botón PLAY y RECORD no fueran presionados simultáneamente.	Al grabar, certifique de que ambos los botones RECORD y PLAY sean presionados, al mismo tiempo.
Sonido de la cinta grabada está destorcido.	Cabezal Sucio.	Limpie el cabestrante.
	Cinta casete con defecto.	Sustituya la cinta.
La letra de la música no aparece en la pantalla.	Cable de video no está conectado correctamente en la TV.	Conecte el cable de video (amarillo) en VIDEO IN/OUT en la trasera de la Singing Machine (función de karaoke).
	TV no tiene una entrada de video.	Conecte el VIDEO OUT del sistema al VIDEO IN de su VCR, o conecte un Modulador de RF y de este para la entrada del cable de la TV. Consulte "Haciendo las Conexiones" en la página S7. Verifique si el disco está CDG.

GUÍA DE DIAGNÓSTICO Y ARREGLO DE FALLAS

PROBLEMA	CAUSA PROBABLE	SOLUCIÓN
La letra de la música no aparece en la pantalla.	Selector de Entrada en la TV no está en video.	Use el control remoto de la TV para seleccionar la entrada de video.
	Un CDG es colocado, pero el indicador de CDG no se enciende.	Verifique si el disco esta limpio. (Vea las instrucciones de limpieza, en la página S15.)
Imagen saltando.	Control VERTICAL HOLD no está ajustado, correctamente.	Ajuste BRIGHTNESS, CONTRAST y VERTICAL HOLD en la parte posterior de la Singing Machine para obtener la mejor calidad de imagen.
Ninguna imagen visualizada en el monitor de la Singing Machine.	La lente de la cámara está para abajo.	Levante la lente de la cámara.
	Selector MONITOR no está en la posición correcta.	Ponga el selector MONITOR en el modo CÁMERA.
Sin son del mic.	Control MIC VOLUME.	Ajuste MIC VOLUME al máximo. Vuelve para un nivel confortable.
	Mic está apagado.	Encienda el Mic con el botón ON/OFF localizado en el propio micrófono.

ESPAÑOL

DETALLES TÉCNICOS

SECCIÓN DE AUDIO: POTENCIA DE SALIDA (MÁXIMA) IMPEDANCIA DE SALIDA	5 WATTS (RMS) 8 OHMS
SECCIÓN DEL CD PLAYER: FRECUENCIA DE RESPUESTA RELACIÓN SEÑAL/RUIDO RUIDO Y SISEO CONVERSIÓN D - A NÚMERO DE LOS PROGRAMAS SISTEMA DE MUESTRA	100 Hz - 20 kHz (+/- 3dB) 50 dB INMENSURABLE CONVERSOR D/A DE 1 BIT MEMORIA DE PROGRAMA DE 20 PISTAS ANTI_ALIASING (REDUCCION DE DISTORSION) 8 VECES
SECCIÓN DEL MONITOR (CUANDO APLICABLE)	MONITOR 5.5" SISTEMA NTSC RESOLUCIÓN 220 LÍNEAS
CASETE DECK SECTION: RUIDO Y SISEO RESPUESTA DE FRECUENCIA VELOCIDAD DE LA CINTA	0.35% (WRMS) 125 Hz - 6.3 kHz (+/- 5dB) 4.75cm/sec.
MICRÓFONO	-74 dB 600 OHMS DE IMPEDANCIA CON MICRÓFONO DINÁMICO Ø 6.3mm
SECCIÓN DE ALIMENTACIÓN (QUAND C'EST LE CAS)	CA 110V-120V~60Hz
DIMENSIONES (ALTURA x ANCHO x PROFUNDIDAD)	19.3 x 12.7 x 9.2 Pulgadas / 49.5 x 32.6 x 23.5 Centímetros
PESO	15.4 lbs / 7.0 kgs
ACCESORIOS	1. CDG DE KARAOKE PREGRABADO 2. CABLE AV 3. MICRÓFONO DINÁMICO

Especificaciones son típicas, unidades individuales pueden tener variaciones. Ellos (ellas) están sujetas a mejoría constante sin previo aviso y sin incurrir en ninguna obligación.

GLOSARIO DE TÉRMINOS DE KARAOKE DE LA SINGING MACHINE

Además de toda la terminología asociada a los productos electrónicos de consumo, algunos ítems adicionales son usados casi exclusivamente en karaoke. Estos términos tienen el objetivo de familiarizarle con el mundo del karaoke. Los recursos enumerados abajo pueden no pertenecer, necesariamente, al modelo de Singing Machine que UD tiene. Abajo algunas explicaciones resumidas de los términos de Karaoke:

Control ECHO:

El eco da profundidad y resonancia a la voz del cantante, sin afectar la música. El eco es producido por una realimentación controlada de la voz del cantor.

Grabación Múltiple:

Nuestras grabaciones múltiple tienen 2 copias de la misma canción. Una versión es una grabación estéreo de la canción sin la voz del cantor. La segunda versión es grabada con la música y voces de fondo, en el canal izquierdo y el cantor principal, en el canal derecho. Esta grabación "split track" (trilla compartida) permite que UD tenga un control del volumen de la voz del cantor principal ajustando el control de BALANCE. UD puede hacer un dueto con el cantor principal o usar el vocalista como un guía, para aprender la canción, reduciendo, gradualmente, el control de BALANCE, hasta que UD sea capaz de cantar la canción por UD mismo.

Control Automático de Voz (A.V.C.):

Cuando la función AVC es activada, las voces, en una grabación múltiple, son eliminadas así que el cantor empiece a cantar con el micrófono. Cuando el cantor para de cantar, las voces, en la grabación múltiple son inmediatamente reactivadas. Esta función útil es usada, principalmente, durante las secciones de ensayo, cuando el cantor está aprendiendo la canción. Por favor observe que la función de AVC sólo funciona con grabaciones múltiple y no con grabaciones normales de audio.

Control PITCH:

La función controla el tono de la música, controlando la velocidad, con la cual la cinta casete es reproducida. Aumentando la velocidad de la cinta, la música suena más aguda o más grave.

Controlador Principal:

Este control cambia el tono de la música CD/CDG (tonos + o -) para ajustar la voz del cantante.

CDG:

Esto es un acrónimo para Compact Disc más Graphics. UD encontrará también las variaciones CD+G y CD + imágenes (CD + Graphics). Él es un CD de audio normal, con informaciones almacenadas, en una trilla de datos, simultánea a la música. En lenguaje simple, CDG, tiene una salida de video para imágenes simples (no un video con movimientos completos). En el caso de karaoke, la función de imagen es usada para almacenar letras de música y visualizar la letra en sincronía con la música. En la mayoría de los casos el software CDG exhibe la letra de la música que cambia de color a la medida que ella debe ser cantada. Un aparato normal de televisión es todo lo que necesita para ver las letras del CDG.

ATENCIÓN - CDG es un tipo especial de sistema de codificación del CD que es diferente de un VCD o DVD. Su Singing Machine puede decodificar CDs normales de audio y discos CDG. El no reproduce VCD o DVD.

Discos de audio estándar y cintas cassetes no exhiben las letras de música en su TV. Los CD de audio, no tienen el software necesario para visualizar las letras de las músicas.

AVERTISSEMENTS

AVERTISSEMENT: POUR REDUIRE LE RISQUE D'INCENDIE OU DE CHOC NE PAS EXPOSER CE PRODUIT A LA PLUIE OU HUMIDITE.



AVERTISSEMENT: POUR EVITER DES RISQUES DE CHOC ELECTRIQUE, NE RETIREZ PAS LE COUVERCLE NI LE PANNEAU ARRIERE. NE CONTIENT PAS DE PIECES REPARABLES PAR L'UTILISATEUR. SOUMETTRE TOUTES LES REPARATIONS A UN PERSONNEL QUALIFIE.

La marque AVERTISSEMENT est situé sur le panneau arrière.



Ce symbole vous alerte de la présence de voltage dangereux non isolé à l'intérieur des produits et qui auraient une force suffisante pour provoquer des risques de choc électrique. Ne pas ouvrir le boîtier de l'appareil.



Ce symbole vous informe que d'importantes instructions de fonctionnement et d'entretien sont comprises dans la littérature qui accompagne le produit.

AVERTISSEMENT

POUR EVITER DES CHOCS ELECTRIQUES, PLACEZ LA LAME LARGE DANS LA FENTE LARGE ET ENFONCEZ COMPLETEMENT.

AVERTISSEMENT HUMIDITE

Ne pas exposer le produit à des gouttes ni à des éclaboussures et il ne faut placer aucun objet contenant des liquides (vases par exemple) à proximité du produit.

AVERTISSEMENT POUR LA VENTILATION

La ventilation normale du produit ne doit pas être obstruée pour l'usage prévu.

Le lecteur de CD est fabriqué et testé pour répondre à des normes spécifiques de sécurité. Conforme aux exigences FCC et obéit aux normes de sécurité du Département Américain de Santé et Services Humains.

AVERTISSEMENTS:

- Le lecteur de CD utilise un rayon laser. Seule une personne qualifiée pourra retirer le couvercle et faire les tentatives de réparations de cet appareil, à cause de possibles blessures aux yeux.
- L'utilisation de contrôles, réglages, ou procédures autres que ceux/celles spécifiés ici pourrait causer une exposition dangereuse à des radiations.
- Utilisez l'appareil dans un endroit ouvert.

AVERTISSEMENT

Le lecteur de disque compact est classé PRODUIT LASER CLASSE 1. L'étiquette PRODUIT LASER DE CLASSE 1 est située sur le panneau arrière.



AVERTISSEMENT!

Radiation laser invisible quand ouvert et verrous désengagés. Eviter l'exposition aux rayons solaires.

IMPORTANT

Puisque les circuits de ce lecteur CD peuvent créer des parasites aux autres syntoniseurs radio à proximité, mettez cet appareil hors tension lorsque vous ne l'utilisez pas ou éloignez-le du syntoniseur qui subit les interférences.

Cet appareil numérique de la classe B est conforme à la norme NMB-003 du Canada.

AVERTISSEMENTS

REMARQUE: Cet appareil numérique ne dépasse pas les limites de classe B se rapportant aux émissions de parasites radio provenant d'appareils numériques, selon les restrictions d'Industrie Canada relatives aux interférences radio. Cet appareil génère, utilise et peut émettre des fréquences radio et s'il n'est pas installé et installé selon les instructions, peut nuire aux radiocommunications. Toutefois, rien ne garantit que des parasites ne surviendront pas dans une installation particulière. Si cet appareil cause des interférences nuisibles à la réception du téléviseur ou de la radio, ce que vous pouvez déterminer en ouvrant et en fermant votre appareil, nous vous invitons à essayer l'une des mesures correctives suivantes:

- Réorientez ou déplacez l'antenne de réception installée sur l'appareil qui manifeste les parasites.
- Éloignez l'appareil du composant qui reçoit les ondes.
- Branchez l'appareil dans une prise de courant CA différente de celle du composant qui reçoit les ondes.
- Au besoin, consultez votre marchand électronique ou un technicien spécialisé dans le service des Radios/téléviseurs pour des suggestions supplémentaires.

IMPORTANTES INSTRUCTIONS DE SECURITE

FRANÇAIS

1. **Lisez les Instructions** - Lisez toutes les instructions de sécurité et de fonctionnement avant d'utiliser ce produit.
2. **Conservez les Instructions** - Conservez les instructions de sécurité et fonctionnement pour future référence.
3. **Mises en Garde** - Respectez tous les avertissements sur le produit et le mode d'emploi du produit.
4. **Se Conformer Aux Instructions** - Veuillez vous conformer à toutes les instructions concernant le fonctionnement de l'appareil.
5. **Nettoyage** - Débranchez l'appareil de la prise murale "avant de nettoyer". Ne pas utiliser de produits de nettoyage liquide ou en aérosol. Utilisez un chiffon humide pour nettoyer l'extérieur seulement. N'essayez pas de nettoyer à l'intérieur.
6. **Accessoires** - Ne pas utiliser d'accessoires non recommandés par le fabricant du produit car ils pourraient être dangereux.
7. **Eau et Humidité** - Ne pas utiliser ce produit près de l'eau - par exemple près d'une baignoire, d'une piscine, d'un évier ou d'une lessiveuse; ni dans une cave humide ni près d'une piscine.
8. **Accessoires** - Ne pas placer ce produit sur un chariot, stand, trépied, support ou table instables. Le produit peut tomber, causant de sérieuses blessures à un enfant ou adulte, et provoquant de sérieux dégâts au produit. Utilisez seulement un chariot, trépied, support ou table recommandés par le fabricant ou vendus avec le produit. Toute installation sur le produit doit être faite en suivant les instructions du fabricant et en utilisant les accessoires de montage recommandés par le fabricant.
9. L'appareil et son chariot doivent être déplacés avec soin. Des arrêts rapides, de la force excessive et des surfaces irrégulières peuvent faire tomber l'appareil et le chariot.
10. **Ventilation** - Les fentes et ouvertures du boîtier servent à la ventilation et à assurer un fonctionnement sûr du produit et à le protéger de surchauffement; ces ouvertures ne doivent pas être bloquées ni couvertes. Les ouvertures ne doivent jamais être bloquées en plaçant le produit sur un lit, canapé, tapis ou autre surface semblable. Ce produit ne doit pas être placé dans une installation encastrée telle qu'une étagère à livres ou une armoire à moins qu'il n'y ait une ventilation adéquate.
11. **Sources d'Alimentation** - Ce produit doit être mis en marche seulement à partir d'une source d'alimentation indiquée sur l'étiquette. Si vous n'êtes pas sûr du type d'alimentation chez vous, consultez le revendeur du produit ou la compagnie d'électricité locale. Pour les produits devant fonctionner sur piles ou d'autres alimentations, voir les instructions de fonctionnement.
12. **Liaison à la terre ou Polarisation** - Le produit peut être équipé d'une prise de ligne de courant alternatif polarisée/du type à trois fils avec terre (c'est à dire une prise qui possède une lame plus large que l'autre/une prise avec un troisième "goujon de terre"). Cette prise ne rentrera dans la prise d'alimentation que d'une façon. C'est un dispositif de sécurité. Si la prise ne rentre pas débranchez et essayez à nouveau. Si la prise ne convient toujours pas contactez votre technicien pour remplacer la prise défectueuse. Ne pas annuler la sécurité de la prise de polarisée.



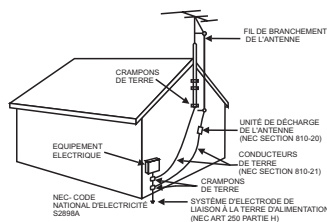
Avertissements Alternés - Le produit peut être équipé d'une prise du type à trois fils avec mise à la terre (une prise avec un troisième "goujon de terre"). Cette prise ne rentrera que dans une prise d'alimentation possédant une "liaison à la terre". C'est un dispositif de sécurité. Si la prise ne convient toujours pas contactez votre technicien pour remplacer la prise défectueuse. Ne pas annuler la sécurité de la mise à la terre.

IMPORTANTES INSTRUCTIONS DE SECURITE

13. Protection du fil d'Alimentation - Les fils d'alimentation doivent être placés de manière à ce que l'on ne marche pas dessus ou qu'ils soient pincés par des objets placés sur ou contre eux, en faisant particulièrement attention aux fils branchés aux prises, boîtiers et au point de sortie de l'appareil.

14. Prise Accessoire de Protection - Le produit est équipé d'une prise accessoire avec protection de surcharge. C'est un dispositif de sécurité. Voir le Manuel d'Instructions pour le remplacement ou la réinstallation de dispositif de protection. Si le remplacement de la prise s'avère nécessaire, vérifiez que le technicien utilise une prise spécifiée par le fabricant et qui offre la même protection de surcharge que la prise originale.

15. Liaison à la terre de l'Antenne Externe - Si une antenne externe est connectée au récepteur, vérifiez que le système d'antenne est relié à la terre de façon à offrir une protection contre les variations de voltage et décharges statiques. L'article 810 du Code National Electrique, ANSI/NFPA 70, fournit les informations concernant la mise à la terre correcte du mât et de la structure de soutien, mise à la terre du fil à l'unité de décharge de l'antenne, localisation de l'unité de décharge de l'antenne, connexion aux électrodes de terre, et exigences pour les électrodes De mise à la terre. Voir figure:



16. Foudre - Pour une protection supplémentaire de ce produit, pendant un orage avec des éclairs, ou quand il n'est pas utilisé pendant de longues périodes, débranchez-le de la prise murale et déconnectez l'antenne ou le système de câble. Ceci évitera les dommages aux produits dus à la foudre et aux surcharges électriques.

17. Lignes Électriques - Ne pas installer de système d'antenne externe au voisinage de fils électriques aériens ou de lampe électrique ou circuits d'alimentation ou bien dans un endroit où elle pourrait tomber sur de tels fils ou circuits. Quand vous installez une antenne externe, il faut prendre un soin extrême à ne pas toucher les lignes de courant ou circuits, car le contact pourrait être fatal.

18. Surcharge - Ne pas surcharger toutes les prises, rallonges, ni les boîtiers, car cela créerait un risque d'incendie ou de choc électrique.

19. Entrée d'objet et de liquide - Ne jamais mettre d'objets quels qu'ils soient dans les ouvertures car ils pourraient toucher des points de voltage dangereux et provoquer des courts-circuits de parties qui pourraient résulter en un incendie ou un choc électrique. Ne jamais renverser de liquide quel qu'il soit sur l'appareil.

20. Réparations - N'essayez pas de réparer ce produit par vous-même car en ouvrant ou retirant les couvercles vous vous exposeriez à un voltage dangereux ou à d'autres risques. Soumettre toutes les réparations à un personnel qualifié.

21. Dégât Exigeant Réparation - Débranchez l'appareil de la prise murale et faites faire les réparations par du personnel qualifié dans les conditions suivantes:

- Quand le fil d'alimentation ou la prise sont endommagés,
- Si un liquide a été renversé, ou si des objets sont tombés dans l'appareil,
- Si l'appareil a été exposé à la pluie ou à l'eau,
- Si l'appareil ne fonctionne pas normalement en suivant les instructions de fonctionnement. Ne réglez que les contrôles qui sont indiqués dans le mode d'emploi, car un mauvais réglage pourrait causer des dégâts et demandera beaucoup de travail de la part d'un technicien qualifié pour le remettre en état.
- Si l'appareil est tombé ou endommagé d'une façon ou d'une autre, et
- Quand le produit présente un changement distinct d'exécution, cela indique qu'il y a besoin de réparation.

22. Remplacement de Pièces - Quand il faut changer des pièces, vérifiez que le technicien de service a utilisé les pièces de rechange spécifiées par le fabricant ou qui aient les mêmes caractéristiques que la pièce originale. Des substitutions de pièces non autorisées pourront causer un incendie, choc électrique ou autres dangers.

23. Vérification de Sécurité - A la fin de tout service ou réparation de cet appareil, demander au technicien de faire les vérifications de sécurité pour déterminer si l'appareil est en condition de fonctionnement correct.

24. Montage au mur ou au plafond - Le produit devra être monté au mur ou au plafond seulement de la façon indiquée par le fabricant.

25. Chaleur - Le produit doit être situé loin de sources de chaleur telles que radiateurs, compteurs, cuisinières ou autres produits (y compris amplificateurs) qui produisent de la chaleur.

INTRODUCTION

Votre pour Disques Compacts + Graphiques avec **KaraokeVision™** vous offrira des années de plaisir et de divertissement. Vous serez la "star" quand vous chanterez en vous accompagnant sur vos enregistrements préférés ainsi que lorsque vous entendrez votre voix dans les haut-parleurs.

Cet appareil de karaoké est compact et conçu pour présenter beaucoup de fonctions, tout en étant facile à utiliser. Après quelques petites explications, vous devenez un expert. Avant d'essayer d'utiliser votre appareil, veuillez lire soigneusement ce manuel pour vous familiariser avec toutes les fonctions disponibles et les sections du manuel qui décrivent ces fonctions. Ensuite, reportez-vous à la section pour l'opération spécifique que vous voulez réaliser.

Pour faciliter vos consultations, quelques - unes des principales caractéristiques du Centre de karaoké sont énumérées ici:

Paroles sur l'écran TV - Affiche les paroles au rythme de la musique quand un CD+G est joué.

Contrôle Automatique de Voix - Vous permet de remplacer la voix originale du chanteur par votre propre voix quand un disque ou bande de karaoké multiplex est jouée. Pour activer, tournez simplement le Volume du Micro jusqu'à un niveau confortable d'audition, et le Contrôle Auto Voix pour une meilleure balance entre la reproduction et le niveau des micros.

Contrôle de BALANCE - Vous permet de régler la balance entre la voix originale préenregistrée du chanteur et la musique en utilisant un disque de karaoké multiplex.

Contrôle d'ECHO - Vous permet d'ajouter un écho pour enrichir votre voix avec un effet de concert.

Contrôle du Volume Principal - Vous permet de tourner le contrôle de volume dans le sens des aiguilles d'une montre ou dans le sens contraire jusqu'à ce que vous obteniez le niveau sonore désiré.

Centre de Musique Karaoké Multiplex - Joue des CD audio et des disques CD+Graphiques et les bandes cassettes dans le lecteur de cassettes.

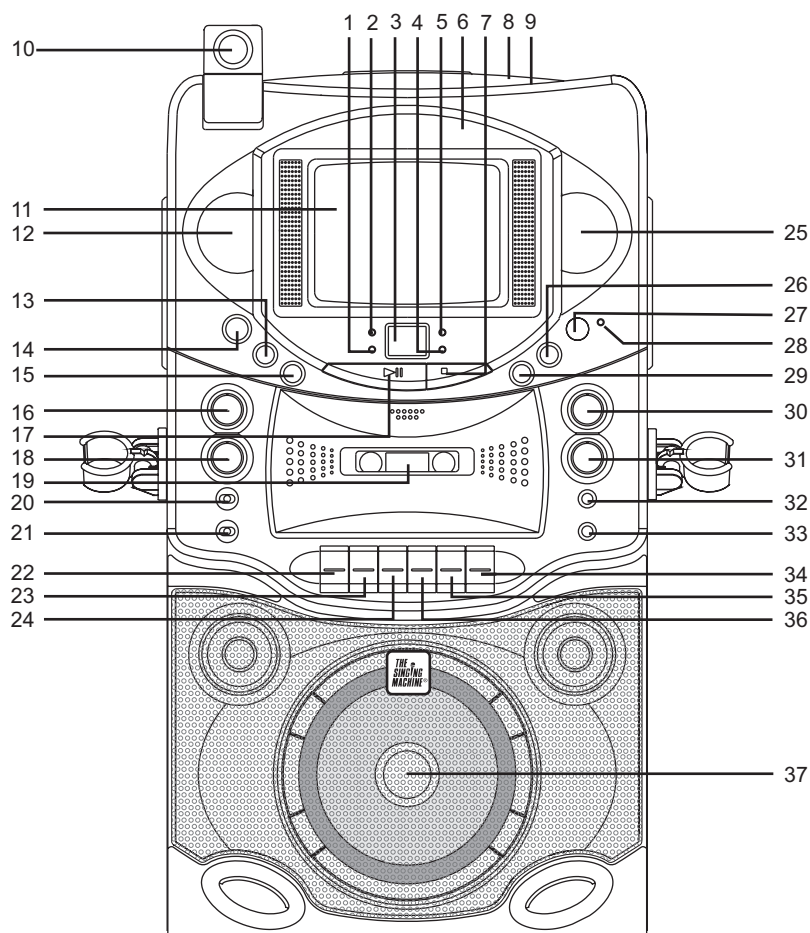
KaraokeVision™ - Levez l'objectif de la caméra pour afficher votre image sur le moniteur de la Singing Machine.

Haut - parleur stéréo encastré - Vous permet de faire partager la musique à votre famille et à vos amis.

Jacks de sortie auxiliaires - Vous permet de vous connecter à un autre appareil de sortie audio, tel un equalizer / booster ou un système PA (public).

LOCALISATION DES CONTROLES

FRANÇAIS

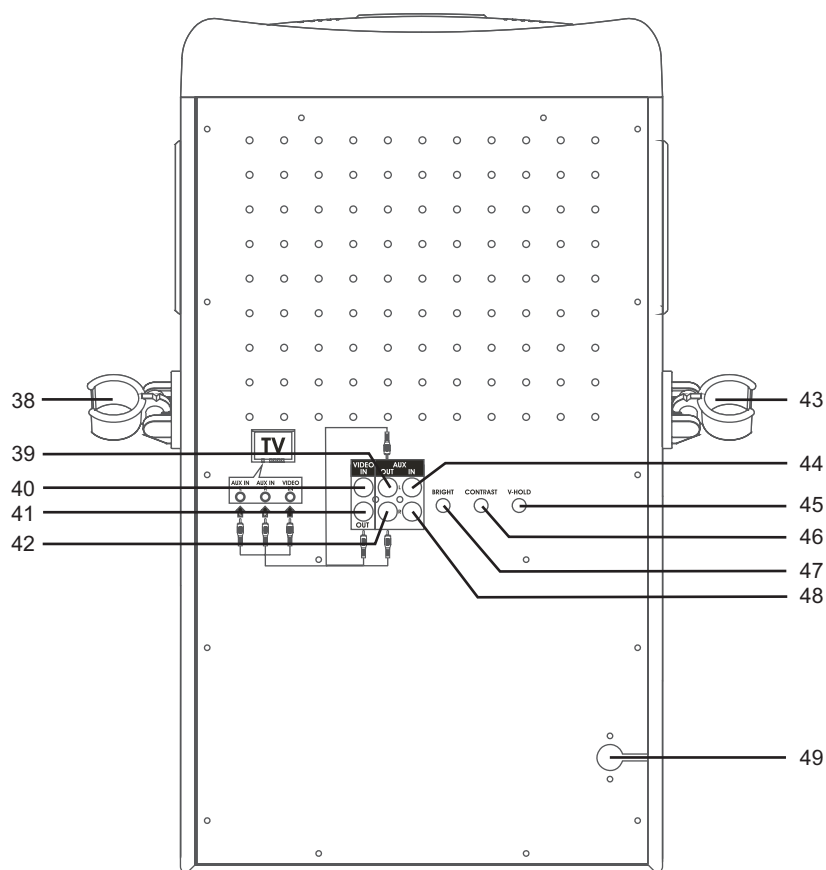


VUE DE FACE

- | | | |
|--|---------------------------------|-------------------------------------|
| 1. Indicateur REPEAT | 14. Bouton SORTIE OUT | 27. Bouton Allumer/Eteindre |
| 2. Indicateur PROGRAMME | 15. Bouton REPETER | 28. LED Allumer/Eteindre |
| 3. Affichage Lumineux LED | 16. Contrôle de PITCH | 29. Bouton SAUTER ◀◀ |
| 4. Indicateur du CDG | 17. Bouton LECTURE/
PAUSE | 30. Contrôle d'ECHO |
| 5. Indicateur LECTURE/
PAUSE | 18. Contrôle de BALANCE | 31. Contrôle Automatique de
Voix |
| 6. Numéro de Modèle | 19. Porte de la cassette | 32. Prise jack MIC 1 |
| 7. Bouton ARRÊT | 20. Sélecteur de FONCTION | 33. Prise jack MIC 2 |
| 8. Porte du CD | 21. Sélecteur du MONITEUR | 34. Bouton PAUSE |
| 9. Bouton d'OUVERTURE
de la porte du CD | 22. Bouton
ENREGISTREMENT | 35. Bouton ARRÊT /
EJECTION |
| 10. Lentilles de la CÂMARA | 23. Bouton LECTURE | 36. Bouton AVANCE
RAPIDE |
| 11. Moniteur | 24. Bouton RETOUR | 37. Haut-parleur |
| 12. Contrôle de VOLUME
PRINCIPAL | 25. Contrôle de VOLUME
MICRO | |
| 13. Bouton PROGRAMME | 26. Bouton SAUTER ▶▶ | |

F5

LOCALISATION DES CONTROLES



FRANÇAIS

VUE ARRIERE

- | | |
|---|--|
| 38. Support de Micro | 44. Jack d'entrée auxiliaires (Gauche) |
| 39. Jack de sortie auxiliaires (Gauche) | 45. Le BALAYAGE VERTICAL |
| 40. Prises jack ENTREE VIDEO | 46. Contrôle du CONTRASTE |
| 41. Prises jack SORTIE VIDEO | 47. Contrôle de LUMINOSITÉ |
| 42. Jack de sortie auxiliaires (Droite) | 48. Jack d'entrée auxiliaires (Droite) |
| 43. Support de Micro | 49. Jack d'ENTREE AC |

POUR FAIRE LES CONNEXIONS

BRANCHEMENT DE L'ALIMENTATION

Vous pouvez brancher le système à une prise AC normale en utilisant le fil d'alimentation fourni.

AVERTISSEMENT: Le cordon d'alimentation fourni a une fiche polarisée qui n'entre dans la prise de courant murale que dans un seul sens. Si vous ne parvenez pas à introduire la fiche dans la prise, essayer dans l'autre sens. Ne pas la forcer.

BRANCHEZ - LE SUR VOTRE T.V.

Singing Machine est équipée d'un fil de branchement pour être branché à un appareil externe audio / son et / ou à un appareil vidéo. Le fil possède trois prises RCA à chaque extrémité ; la Blanche et la Rouge sont pour les connexions audio gauche et droite, la Jaune est pour la vidéo.

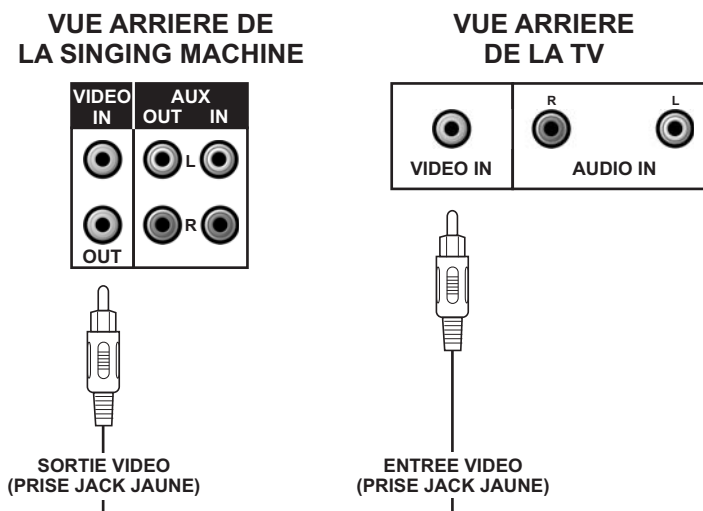
On recommande de faire jouer un disque CDG pendant que vous faites les connexions à votre TV ou Magnétoscope. L'affichage du logo de Singing Machine ou des paroles sur votre écran de TV vous montrera que vous avez connecté votre TV ou Magnétoscope correctement.

FRANÇAIS

CONNEXION VIDEO

Veillez suivre les étapes ci - dessous pour afficher les paroles du CDG sur Ecran de TV:

- (1) Localisez les fils de connexion multicolores.
- (2) Branchez le câble vidéo (Jaune) à la prise jack de Sortie Vidéo située sur le côté de votre Singing Machine.
- (3) Connectez l'autre extrémité au câble vidéo (jaune) à l'ENTREE Vidéo d'une autre source vidéo, telle que MAGNETOSCOPE ou TV.



LOCALISATION DES CONTRÔLES

Si votre téléviseur ne possède pas l'Entrée Vidéo nécessaire, vous aurez besoin d'un Modulateur RF (modulateur de Radio Fréquence), qui fait la connexion au travers de l'Antenne TV ou du câble et sert d'Entrée Vidéo.

Un Modulateur RF peut être acheté chez presque tous les détaillants de matériel électronique. Si vous connectez la vidéo de la Singing Machine que ce soit à l'entrée vidéo d'une TV ou d'un MAGNETOSCOPE, il faut que vous spécifiez la source TV ou MAGNETOSCOPE qui doit être affichée. Le manuel d'utilisation de votre TV ou MAGNETOSCOPE peut vous indiquer comment afficher le signal vidéo à partir de la prise jack vidéo.

Si vous ne possédez pas le manuel de votre TV ou MAGNETOSCOPE, nous suggérons que vous appelez le Service Après-Vente du fabricant de votre TV ou MAGNETOSCOPE. Seul le fabricant pourra vous indiquer rapidement comment configurer votre TV ou MAGNETOSCOPE pour afficher le signal vidéo provenant de la prise jack d'entrée.

*Note: Certains appareils de TV n'affichent pas le fond bleu standard utilisé normalement par la plupart des CGDs. Si la couleur de fond n'est pas correcte ou si elle clignote, essayez de connecter votre Singing Machine à un tube TV normal.

MOYENS HABITUELS DE CONFIGURATION DE VOTRE TV OU MAGNETOSCOPE

Votre Singing Machine est conçue pour connecter votre TV de la même façon que vous connectez une caméra vidéo, un MAGNETOSCOPE ou une console de jeu vidéo. La Singing Machine envoie constamment des signaux vidéo et audio aux prises jack Sortie Vidéo et Sortie Aux à chaque fois que vous jouez un CDG. On recommande de faire jouer un disque CDG sur votre Singing Machine avant de faire ces connexions. Vous pourrez voir les paroles sur votre écran de TV dès que l'installation sera terminée. Vous verrez des paroles sur l'écran de TV dès que vous aurez configuré correctement.

Nous nous reportons à TV/MAGNETOSCOPE parce que les fabricants utilisent des moyens très semblables pour connecter les TV et MAGNETOSCOPES et vous pouvez connecter votre Singing Machine à une TV, un MAGNETOSCOPE ou un système via satellite. La configuration de la TV/MAGNETOSCOPE est la partie la plus difficile pour faire les connexions et afficher les paroles de la Singing machine. Dans la plupart des maisons, la TV possède un câble branché ou une antenne en fonctionnement. Une fois votre Singing Machine branchée à votre Téléviseur / Magnétoscope, choisissez l'entrée correcte de votre Téléviseur / Magnétoscope pour afficher les paroles de la Singing Machine au lieu de l'entrée habituelle du câble ou de l'antenne.

Vérifiez le manuel d'utilisation de votre TV/MAGNETOSCOPE pour installer de la manière la plus facile votre appareil particulier de divertissement. Si vous ne possédez pas le manuel de votre TV ou Magnétoscope, veuillez entrer en contact avec le fabricant pour obtenir les informations soit par téléphone soit sur leur site Internet. Ci-dessous nous donnons la liste des moyens les plus fréquents de configurer une TV/MAGNETOSCOPE:

- (1) Dans le menu de configuration de la TV/MAGNETOSCOPE il doit y avoir une option "Sélection d'Entrée" où vous pouvez choisir entre "Câble/Antenne", "Vidéo 1" ou "Vidéo 2" comme source d'entrée.
- (2) Essayez de trouver une chaîne "Vidéo" entre la chaîne la plus basse et la plus haute de votre TV ou Magnétoscope (c'est à dire qu'entre 99 et 2 il pourrait y avoir "VIDEO", "ENTREE" ou "JEU").
- (3) Localisez un bouton sur la télécommande de votre TV / Magnétoscope auquel vous vous connectez et qui fera afficher sur la source d'entrée Vidéo les messages "VIDEO", "VIDEO 1", "JEU", "AUX", "EXT", "LINE 1", "LINE IN" ou éventuellement le bouton "VCR".

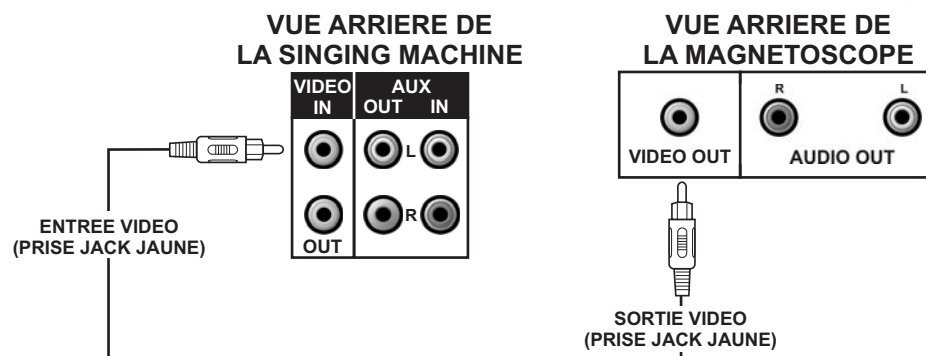
POUR FAIRE LES CONNEXIONS

CONNEXION D'UN APPAREIL VIDEO D'ENTREE

Veillez suivre les étapes ci - dessous pour afficher les paroles du CDG sur le moniteur de la Singing Machine à partir d'une autre source vidéo:

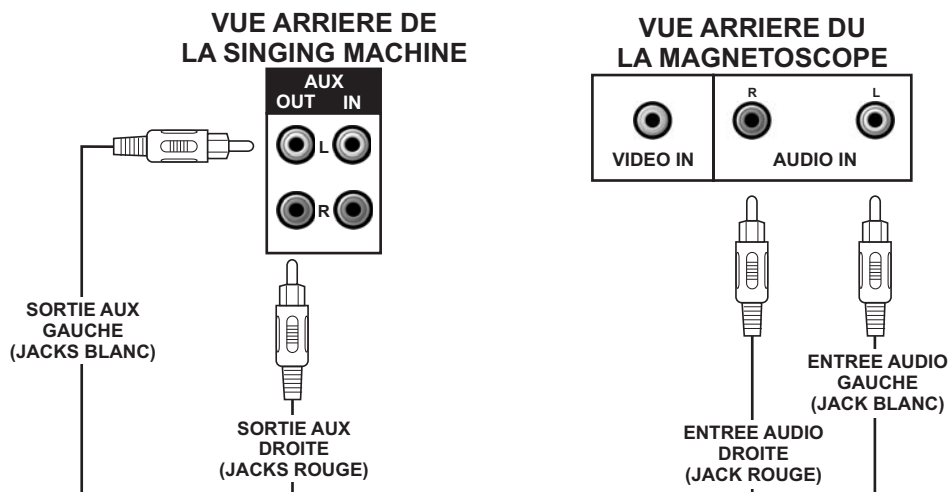
- (1) Localisez les fils de connexion multicolores.
- (2) Connectez le câble vidéo (jaune) à l'ENTREE Vidéo située sur le côté de la Singing Machine.
- (3) Connectez l'autre extrémité au câble vidéo (jaune) à la Sortie Vidéo d'une autre source vidéo, telle que MAGNETOSCOPE.
- (4) Placez le bouton SELECTION DE FONCTION sur AUX et bouton ALLUMER/ETEINDRE du MONITEUR en position ALLUMER.
- (5) Réglez les boutons de LUMINOSITE, CONTRASTE et DEFILEMENT VERTICAL situés sous le moniteur de votre Singing Machine pour obtenir une meilleure qualité d'image.

FRANÇAIS



CONNEXION AUDIO

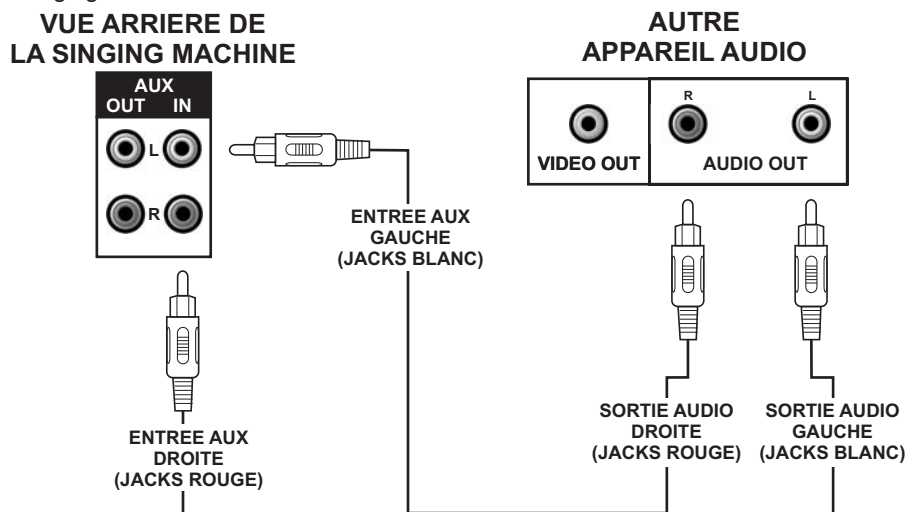
Connectez le appareil à votre TV ou à votre appareil stéréo en utilisant les connecteurs Blanc et Rouge du cordon de raccordement fourni. Branchez l'extrémité blanche du cordon de raccordement à la prise jack d sortie blanche du appareil. Branchez l'extrémité rouge du cordon de raccordement à la prise jack d sortie rouge du appareil. Connectez maintenant l'autre extrémité de la fiche blanche (voie de gauche) et rouge (voie de droite) du câble aux prises jacks ENTREE AUDIO OU ENTREE AUX de votre TV ou appareil stéréo.



POUR FAIRE LES CONNEXIONS

CONNEXION D'UN APPAREIL AUDIO D'ENTREE

Pour connecter une autre source audio (telle que Tuner, Récepteur AV ou MAGNETOSCOPE) de façon à ce que vous puissiez accompagner cette musique, connectez simplement les prises jack de Sortie Audio (prises jack RCA Rouge et Blanche) aux prises jack ENTREE AUX G & D de la Singing Machine.



FRANÇAIS

Sélecteur du MONITEUR


- Pour jouer un disque CDG, placez le sélecteur MONITEUR en mode CAMERA/CDG/AUX ou ETEINT.
- Pour afficher une image sur la TV, placez le Sélecteur MONITEUR en mode CAMERA.
- Pour afficher les paroles de CDG sur le moniteur de la Singing Machine placez le Sélecteur MONITEUR en mode CDG/AUX.
- Pour afficher un signal vidéo d'un autre composant A/V, placez le sélecteur de fonction en mode AUX et le sélecteur MONITEUR en mode CDG/AUX.
- Pour éteindre le moniteur de la Singing Machine, placez le sélecteur MONITEUR en mode ETEINT.
- Réglez les boutons de LUMINOSITE, CONTRASTE et DEFILEMENT VERTICAL situés sous le moniteur de votre Singing Machine pour obtenir une meilleure qualité d'image.

Sélecteur de FONCTION et Bouton VIDEO OUT

- Pour afficher une image sur la TV, placez le sélecteur de fonction en position CDG et placez le bouton SORTIE VIDEO en mode CAMERA.
- Pour afficher les paroles de CDG sur la TV, placez le sélecteur de fonction en position CDG et placez le bouton SORTIE VIDEO en mode CDG.

FONCTIONNEMENT DU CD OU CD+G

PREPARATION

- L'appareil est conçu pour jouer des CD possédant le logo d'identification "  ". Si les CD ne sont pas conformes aux normes des CD, ils ne seront pas joués correctement.
- Les empreintes digitales et la poussière doivent être soigneusement nettoyées avec un chiffon doux. Nettoyez en un mouvement droit à partir du centre du disque vers le bord externe.
- Ne jamais utiliser de produits chimiques tels que vaporisateurs pour nettoyer les disques, vaporisateurs ou fluides antistatiques, benzène ou diluant pour nettoyer un disque compact. Ces produits chimiques endommageront définitivement la surface plastique du disque.
- Placez un disque dans le compartiment avec le côté imprimé tourné vers le haut et le côté brillant vers le bas. Les disques compacts peuvent être joués seulement d'un côté.
- Pour retirer un disque de l'étui de rangement, pressez au centre du boîtier et soulevez le disque en le tenant soigneusement par le bord.
- Remettre les disques dans leur boîtier après usage pour éviter la poussière et les rayures.
- Pour éviter de tordre le disque, ne l'exposez pas directement à la lumière solaire, haute humidité ou hautes températures pendant de longues périodes.
- Ne collez de papier ni n'écrivez sur l'une ou l'autre face du disque. Les encres utilisées dans certains feutres peuvent endommager les surfaces du disque.

LECTURE DE DISQUE CD OU CD+G

- Réglez les contrôles de VOLUME PRINCIPAL de votre appareil, TV ou système audio comme vous le désirez.
- Réglez les contrôles MICRO/ECHO/BALANCE comme nécessaire pour obtenir le mélange de musique et voix souhaité sur votre TV ou équipement sonore.
- Ne pas appuyer sur la porte du plateau de CD pendant qu'un CD est joué.
- Ne jamais placer autre chose qu'un disque compact dans le compartiment à disques. Des corps étrangers peuvent endommager l'appareil.
- Ne pas forcer de trop sur le couvercle du disque.
- Ne placer qu'un seul disque sur le plateau à la fois.

POUR ALLUMER/ETEINDRE

- Pour allumer votre appareil de karaoké, appuyez sur le bouton ALLUMER / ETEINDRE, le témoin LED ALLUMER / ETEINDRE s'allume.
- Pour ETEINDRE le système, pressez le bouton Allumer/Eteindre à nouveau, l'indicateur LED Allumer/Eteindre s'éteint.


SELECTION DE FONCTION

Placez le bouton de SELECTION DE FONCTION sur CD+G.

SÉLECTE MONITEUR

- Pour jouer un disque CDG, placez le sélecteur MONITEUR en mode CAMERA/CDG/AUX ou ETEINT.
- Pour afficher les paroles du CDG sur le moniteur de la Singing Machine, placez le sélecteur MONITEUR en mode CDG/AUX.
- Pour éteindre le moniteur de la Singing Machine, placez le sélecteur MONITEUR en mode ETEINT.
- Réglez les boutons de LUMINOSITE, CONTRASTE et DEFILEMENT VERTICAL situés sous le moniteur de votre Singing Machine pour obtenir une meilleure qualité d'image.

CHARGEMENT D'UN DISQUE

- Pressez le bouton d'OUVERTURE/FERMER  de la porte de CD pour ouvrir la porte du compartiment de CD. Placez un disque dans le compartiment avec le côté imprimé tourné vers le haut et le côté brillant vers le bas.
- Appuyez sur le point de FERMETURE (pour la porte du CD) à nouveau pour fermer le compartiment de CD. L'indicateur LED affiche le nombre total de pistes. (S'il n'y a pas de disque, il affiche "- -")

(Voir le Guide de Localisation de Problèmes page F16 si un disque est chargé mais que le nombre total de pistes n'apparaît pas.)

FONCTIONNEMENT DU CD OU CD+G

MODE LECTURE/PAUSE

- Pour commencer à jouer, pressez le bouton LECTURE/PAUSE. La première piste [1] et l'indicateur LED REPRODUCTION/PAUSE seront affichés.
- Pour arrêter de jouer momentanément pressez le bouton LECTURE/PAUSE à nouveau. L'indicateur LED LECTURE/PAUSE clignotera.
- Pour arrêter de jouer, pressez le bouton à nouveau.

Si vous pressez pause quand un CDG joue, les paroles sur le moniteur pourront être distordues. Les distorsions persistent jusqu'à ce que tout l'écran soit restauré au moment d'un arrêt d'un instrument ou quand vous arrêtez la chanson et que vous la rejouez depuis le début.

MODE ARRET

Si le bouton ARRET est pressé pendant la reproduction, le disque s'arrêtera de jouer. (Le nombre total de pistes est montré dans la fenêtre LED).

SAUTER REPRODUCTION (Pour disques CD audio et CDG.)

- En mode ARRET vous pouvez sauter de pistes en avant ou en arrière jusqu'au numéro désiré en appuyant sur les boutons SAUTER (◀◀ - SKIP - ▶▶).
- Pour arrêter de jouer, pressez ceci bouton à nouveau.

RECHERCHE (Seulement pour Disques CD audio.)

Quand vous jouez un CD audio, pressez et maintenez le bouton SAUTER (◀◀ - SKIP - ▶▶) et le CD cherchera à grande vitesse en avant ou en arrière. La lecture normale continuera lorsque vous aurez relâché le bouton.

REPETER

- Pour répéter la piste actuelle, pressez le bouton REPETITION une fois. L'indicateur LED REPETITION clignote.
- Pour répéter toutes les pistes, appuyez deux fois sur le bouton REPETER. Le témoin LED REPETER s'allume.
- Pour annuler la fonction REPETER, appuyez une fois de plus sur le bouton REPETER. Le témoin LED REPETER s'éteint.

PROGRAMME

- Utilisez le bouton PROGRAMME pour jouer les chansons en ordre présélectionné.
Etape 1: Programmer en mode d'arrêt seulement. Pressez la touche de programmation jusqu'à ce que le témoin lumineux LED s'allume, la piste lira [0].
Etape 2: Pressez le bouton SAUTER (◀◀ - SKIP - ▶▶) pour sélectionner la piste désirée.
Etape 3: Pressez le bouton PROGRAMME pour confirmer l'entrée. Vous pouvez répéter les étapes jusqu'à un maximum de 20 pistes.
Etape 4: Pressez LECTURE après avoir terminé de programmer et vous êtes prêt à commencer à chanter.
- Pour vider toutes les mémoires programmées, pressez le bouton ARRET.

L'INTRO EST JOUEE

- Pressez le bouton INTRO une fois, et pressez alors LECTURE. Le lecteur de CD jouera jusqu'à 10 secondes de chaque piste comme introduction.
- Pressez le bouton INTRO pour arrêter la lecture de l'introduction.

FONCTIONNEMENT DE LA CASSETTE

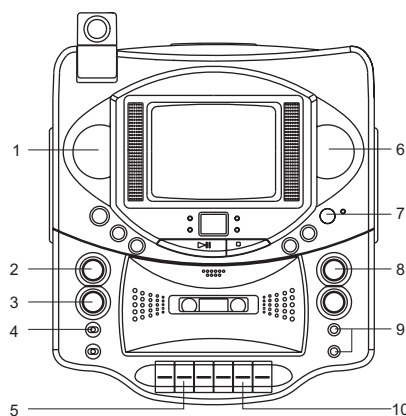
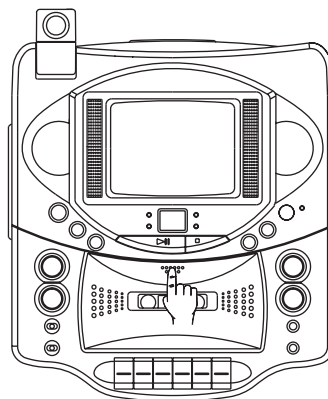
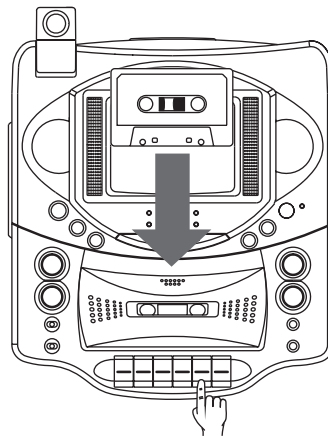
CHARGEMENT ET DÉCHARGEMENT DE CASSETTES

Suivez ces étapes pour charger et décharger des cassettes.

1. Pressez le bouton ARRET/EJECTION (10).
2. Insérez une bande avec le côté désiré face à vous, la surface de la bande vers le bas. Eviter de toucher la bande.
3. Fermez le support de cassette/ couvercle du lecteur.

Pour assurer un blocage ferme du support de cassette/couvercle de bande, veuillez presser la porte de cassette au centre ou sur le coin droit supérieur jusqu'à ce que vous entendiez un déclic.

Note: Pour décharger, pressez le bouton ARRET/EJECTION (10), retirez la cassette et fermez le couvercle.



LECTURE

1. Allumez le bouton ALLUMER (7).
2. Placez SELECTION DE FONCTION (4) en position BANDE.
3. Chargez une cassette dans le compartiment cassette.
4. Appuyez sur les boutons LECTURE (5).
5. Réglez les contrôles de VOLUME PRINCIPAL (1) et la BALANCE (3) comme vous le désirez.
6. Pour arrêter la bande de l'un des deux LECTEURS pressez le bouton ARRET/EJECTION (10) de ce lecteur une fois. (En pressant une seconde fois la bande est éjectée.) Ou, quand une bande atteint sa fin, ce lecteur s'arrête automatiquement et son bouton LECTURE (5) remonte.

MICROS/ECHO/PITCH

1. Quand l'un ou les deux Micros sont branchés dans les prises jack de Micro (9), leur sortie est mixée avec la lecture Cassettes.
2. Réglez le VOLUME du MICRO (6) pour une meilleure balance entre les niveaux de reproduction et du micro.
3. Réglez l'ECHO (8) pour rajouter de la profondeur et de la richesse à la voix, et réglez le PITCH (2) pour contrôler la vitesse d'exécution de la cassette.

FONCTIONNEMENT DE LA CASSETTE

ACCOMPAGNEMENT - BANDE

1. Suivez les instructions pour la REPRODUCTION.
2. Suivez les instructions pour MICRO/ECHO/PITCH.
3. Réglez les contrôles de VOLUME PRINCIPAL (1), ECHO (8), PITCH (3). Votre voix sera mixée avec la lecture et sera entendue dans les haut-parleurs.
4. Avec des cassettes Singing Machine ou similaires multiplex, vous pouvez chanter en duo accompagné par l'artiste enregistré et musique de fond. En tournant le contrôle BALANCE (4), vous pouvez éliminer la piste vocale et faire un solo avec la musique de fond.

ENREGISTREMENT DE L'ACCOMPAGNEMENT - DISQUE CD OU CDG (AUDIO SEULEMENT, LA VIDÉO N'EST PAS POSSIBLE)

1. Chargez une cassette vierge.
2. Chargez un disque de Singing Machine ou tout autre disque préenregistré CD/CDG dans le tiroir du compartiment.
3. Tourner le contrôle PITCH / VOLUME DE MICRO en position centrale.
4. Placez le bouton de SELECTION DE FONCTION sur CD+G. Pressez SAUTER jusqu'au numéro de la piste désirée à partir de laquelle vous désirez enregistrer.
5. Pressez LECTURE pour commencer à faire jouer le disque sur le lecteur de CD. Pressez les deux boutons ENREGISTREMENT et LECTURE du lecteur de cassette en même temps pour commencer à enregistrer. La sortie combinée de votre voix et de la piste du CD ou CDG sera enregistrée sur la bande vierge.

EN PUBLIC - UTILISATION DU MICRO

En public (PA) Procédures de fonctionnement

1. Connectez le Micro fourni à l'une des prises d'entrée du MICRO.
2. Pressez le bouton ALLUMER en position ALLUME.
3. Pressez le bouton SELECTION DE FONCTION pour sélectionner la fonction de BANDE. Tourner le contrôle VOLUME DE MICRO en position centrale.
4. Placez le bouton ALLUMER/ETEINDRE situé sur le Micro en position ALLUMER et parlez ou chantez dans le micro. La sensibilité et le volume du micro peuvent être réglés comme désiré en tournant le contrôle VOLUME MICRO et/ou le contrôle de VOLUME PRINCIPAL.
5. Pour ajouter de la profondeur ou de l'ambiance à votre voix, réglez le contrôle d'ECHO jusqu'à ce que vous obteniez les effets désirés.

NOTE: Pour éviter du retour ou des sifflements, vérifiez que le micro n'est pas trop près de l'appareil.

FRANÇAIS

SOINS ET ENTRETIEN

ALIMENTATION

Après avoir utilisé le appareil, mettre l'appareil hors tension en appuyant sur la touche Allumer/Eteindre.

NETTOYAGE DE L'APPAREIL

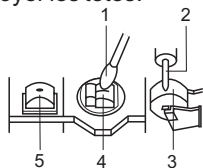
Pour nettoyer l'extérieur de l'appareil, l'essuyer simplement avec un chiffon doux, propre et humecté d'eau tiède.

NETTOYAGE DES TÊTES DE LA PLATINE À CASSETTES

Lors de la lecture de la cassette, des déchets, de la poudre et de la poussière de la bande magnétique se déposent sur les têtes, les cabestans et les galets-presseurs de la platine. S'ils sont trop encrassés, vous risquez les problèmes suivants:

- une détérioration de la qualité sonore,
- une diminution du niveau sonore de la musique,
- un effacement incomplet de l'enregistrement précédent,
- des difficultés à obtenir un bon enregistrement.

Donc, afin de garantir la haute qualité de la platine à cassettes, il faut nettoyer périodiquement les têtes, les galets-presseurs et les cabestans lorsque vous remarquez une accumulation de poussière et de particules d'oxyde rougemarrons. Pour le nettoyage, ouvrir le compartiment à cassette et soigneusement nettoyer chaque tête (4, 5), galet-presseur (3) et cabestan (2) à l'aide d'un coton-tige imbibé d'alcool isopropylique ou d'un liquide approprié pour nettoyer les têtes.



On peut acheter les produits d'entretien de marque déposée pour les têtes de la platine chez presque tous les points de vente de produits Hi-Fi.

SOIN DE LA PLATINE À CASSETTES

Utiliser simplement un chiffon doux, propre et humecté d'eau tiède et essoré. Ne jamais utiliser de benzol, de benzène ou d'autres produits chimiques forts puisqu'ils pourraient

endommager la finition ou l'appareil. Faire attention à ne pas renverser de liquide dans la platine.

REMARQUE

- * Ne jamais toucher les têtes de la platine à cassettes avec un tournevis ou d'autres objets en métal, parce qu'ils vont rayer la surface sensible, en endommageant ensuite vos cassettes.
- * Ne jamais placer d'aimants ou d'objets magnétisés près des têtes de la platine.

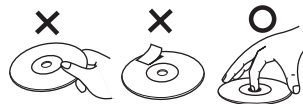


Pour éviter tout incendie ou choc électrique, débrancher la chaîne stéréo de la prise de courant pendant le nettoyage.

DISQUE COMPACT

Maniement des disques

Même si les plages de musique d'un disque sont recouvertes d'une pellicule de protection, il est à conseiller de manipuler le disque très soigneusement. Toujours prendre les disques par les bords et les ranger dans leur étui immédiatement après les avoir utilisés.



NETTOYAGE DES DISQUES

Il n'est généralement pas nécessaire de nettoyer les disques. Toutefois, s'il y a des empreintes de doigts, de poussière ou de saleté, vous pouvez les essuyer avec un chiffon doux sans peluches. Essuyer le disque en mouvements rectilignes allant du centre vers le bord. Vous pouvez d'abord humecter le disque si nécessaire.



REMARQUE: Ne pas utiliser de détergent ou de produits d'entretien abrasifs parce qu'ils pourraient endommager le disque.

LECTEUR CD

Le mécanisme du lecteur est équipé de support autolubrifiant et ne doit pas être huilé ou graissé.

GUIDE DE LOCALISATION DE PROBLEMES

Si vous avez suivi les instructions et que vous avez des difficultés à faire fonctionner l'appareil, localisez le PROBLEME dans la colonne de gauche ci - dessous. Vérifiez la CAUSE POSSIBLE correspondante dans la colonne de localisation et réglez le problème.

PROBLEME	CAUSE POSSIBLE	SOLUTION
Ne s'allume pas quand il est en position ALLUME.	Pas de connexion de la prise d'alimentation à la prise AC.	Insérez la prise d'alimentation dans la prise AC.
Ne s'allume pas quand il est branché.	Le fil d'alimentation n'est pas branché à l'appareil	Branchez le fil d'alimentation fermement à l'appareil.
Pas de son.	Le Contrôle de Volume est au minimum.	Augmentez le volume.
	Le Contrôle de Volume sur l'appareil TV/Système PA est au minimum.	Augmentez le volume du système TV/PA.
	Appareil TV/système PA (Public) ETEINT.	Allumez le système TV/Public.
	Jacks de SORTIE AUX non branchés.	Suivez les instructions page F9 de la "Connexion Audio".
	Une fonction incorrecte a été sélectionnée.	Sélectionnez la fonction correcte.
Le lecteur de CD ne fonctionne pas normalement ou bien le LED affiche : " - - ", " E " ou " 00 "	Le Disque a été placé à l'envers.	Insérez le disque correctement.
	Le disque est sale.	Nettoyez avec un chiffon doux.
	Le Disque est rayé.	Utilisez un nouveau disque.
	Le Disque est tordu.	Utilisez un nouveau disque.
	Un disque non conventionnel est inséré.	Utilisez seulement des disques avec l'étiquette standard décrite page F11.
	De l'humidité s'est formée à l'intérieur du Lecteur de CD.	Attendez de 20 à 30 minutes pour laisser sécher.
	La Singing Machine doit être redémarrée.	Débranchez l'appareil de l'alimentation pendant 30 secondes, puis branchez à nouveau.
Pas de son - si l'audio passe par TV ou MAGNETOSCOPE.	La Sélection de la source de la TV ou du MAGNETOSCOPE n'est pas correcte.	Suivez les instructions page F7 de "Connexion Vidéo".

FRANÇAIS

GUIDE DE LOCALISATION DE PROBLEMES

PROBLEME	CAUSE POSSIBLE	SOLUTION
Pas de son - quand l'audio est connecté à un appareil stéréo domestique.	Le choix de source sur votre stéréo n'est pas placé correctement.	Sélectionnez ENTREE AUX comme source pour votre appareil stéréo.
	Connexion incorrecte à l'appareil stéréo ou au système PA (public).	Suivez les instructions page F9 pour connecter à votre appareil stéréo.
CASSETTE Son de la bande instable.	Cabestan sale.	Nettoyage du cabestan.
	Mauvaise bande magnétique en train de jouer.	Remplacez la bande.
	le bouton de pitch peut être en position incorrecte.	Réglez le bouton Pitch.
Ne peut pas enregistrer.	Les languettes de prévention d'effaçage ont été cassées.	Remplacez les languettes ou couvrez les ouvertures des languettes avec du ruban adhésif.
	Le bouton Lecture et le bouton Enregistrement n'ont pas été enfoncés simultanément.	Quand vous enregistrez, vérifiez que les deux boutons ENREGISTREMENT et LECTURE sont enfoncés en même temps.
Les paroles n'apparaissent pas sur l'écran.	Le câble vidéo n'est pas connecté correctement à la TV.	Raccorder le câble vidéo à la prise de sortie VIDEO OUT du Singing Machine et à la prise d'entrée VIDEO IN du téléviseur.
	Le sélecteur de source de la TV n'est pas placé sur VIDEO.	Utilisez la télécommande de votre TV pour sélectionner l'entrée VIDEO.
	La TV ne possède pas d'entrée vidéo.	Connectez la SORTIE VIDEO de l'appareil et ENTREE VIDEO de votre MAGNETOSCOPE, ou connectez - le à un Modulateur RF et ensuite à l'entrée de câble TV. Voir " Pour Faire les Connections" page F7. Vérifier que le disque est un CDG.
	Un CDG est chargé mais le témoin CDG ne s'allume pas.	Vérifiez que le disque est propre. (Voir page 15 pour les instructions.)

FRANÇAIS

GUIDE DE LOCALISATION DE PROBLEMES

PROBLEME	CAUSE POSSIBLE	SOLUTION
Le son de la bande enregistrée est distordu.	Tête sale.	Nettoyage du cabestan.
	Bande cassette endommagée.	Remplacez la bande.
L'image saute.	Le BALAYAGE VERTICAL n'est pas réglé correctement.	Réglez les contrôles de BALAYAGE VERTICAL.
Pas d'image affichée sur le moniteur de la Singing Machine.	L'objectif de la caméra est vers le bas.	Levez l'objectif de la caméra.
	Le sélecteur du Moniteur n'est pas positionné correctement.	Placez le Sélecteur de MONITEUR en mode CAMERA.
Pas de son du Micro.	Contrôle de VOLUME.	Réglez le VOLUME du MICRO au maximum. Remettez-le à un niveau confortable.
	Le Micro est éteint.	Allumez le Micro avec le bouton ALLUMER / ETEINDRE situé sur le micro.

FRANÇAIS

DETAILS TECHNIQUES

SECTION AUDIO: ALIMENTATION DE SORTIE (MAXIMUM) IMPEDANCE DE SORTIE	5 WATTS (RMS) 8 OHMS
SECTION DU LECTEUR DE CD: REPONSE DE FREQUENCE RAPPORT SIGNAL - BRUIT BRUIT ET CHUINTEMENT D - A CONVERSION NOMBRE DE PROGRAMMES SYSTEME D'ECHANTILLONNAGE	100 Hz - 20 kHz (+/- 3 dB) 50 dB INCOMMENSURABLE 1-BIT DAC PROGRAMMATION ALEATOIRE A 20 TOURS ANTICRENELAGE 8 FOIS
SECTION MONITEUR (QUAND C'EST LE CAS)	MONITEUR TV 5,5" SYSTEME NTSC RÉSOLUTION DE 220 LIGNES
SECTION DU LECTEUR DE CASSETTE: BRUIT ET CHUINTEMENT REPONSE DE FREQUENCE VITESSE DE LA BANDE	0,35% (WRMS) 125 Hz - 6,3 kHz (+/- 5dB) 4,75cm/sec.
MICRO	IMPÉDANCE -74 dB 600 OHMS AVEC MICRO DYNAMIQUE Ø 6,3mm
SECTION ALIMENTATION (QUAND C'EST LE CAS)	AC 110V-120V~60Hz
DIMENSIONS (H x L x P)	19,3 x 12,7 x 9,2 Pouces / 49,5 x 32,6 x 23,5 Centimètres
POIDS	15,4 lbs / 7,0 kgs
ACCESSOIRES	1. DISQUE CD+G PREENREGISTRE DE KARAOKE 2. CABLE AV 3. MICRO DYNAMIQUE

Les spécifications sont typiques, les appareils individuels peuvent varier. Ils sont sujets à des améliorations continues sans avis préalable et sans faire encourir aucune obligation.

GLOSSAIRE DES TERMES DU KARAOKE SINGING MACHINE

En plus de la terminologie associée avec les appareils électroniques de consommation, des termes supplémentaires sont utilisés presque exclusivement pour le karaoké. Ces termes servent à vous familiariser avec l'univers du Karaoké. Les caractéristiques énumérées ci-dessous, ne s'appliquent **peut - être pas** nécessairement au modèle particulier du Singing Machine que vous avez. Voici une brève explication des termes Karaoké:

Écho:

L'écho ajoute de la profondeur et de la résonance à la voix du chanteur sans toutefois modifier la musique. Cet écho est produit en créant une répétition mineure et contrôlée dans la voix du chanteur.

Multiplex:

Nos enregistrements multiplex contiennent 2 copies de la même chanson. Une version est l'enregistrement en stéréophonie de la chanson sans la voix du chanteur dirigeant. La seconde version est enregistrée avec la musique et le chœur sur le canal de gauche et la voix du chanteur dirigeant enregistrée sur le canal de droite. Cet enregistrement à 'pistes divisées' vous permet de contrôler le volume de la voix du chanteur dirigeant en réglant le bouton de la balance. Vous pouvez chanter en duo avec le chanteur dirigeant ou utiliser la voix du chanteur dirigeant comme guide pour apprendre la chanson et en la baissant progressivement avec le réglage de la balance vous serez capable de chanter la chanson tout seul.

Contrôle automatique de la voix:

Lorsque la fonction AVC est activée, le chant d'un enregistrement multiplex s'arrête dès que le chanteur commence à chanter au microphone. Quand le chanteur arrête de chanter, le chant d'un enregistrement multiplex se réactive automatiquement. Cette fonction est utile surtout pendant l'apprentissage d'une nouvelle chanson. Veuillez noter que la fonction AVC marche seulement avec l'enregistrement multiplex et ne marche pas avec les enregistrements sonores ordinaires.

Contrôle de la hauteur:

Cette fonction contrôle la hauteur de la musique en réglant la vitesse de la lecture de la cassette. En augmentant la vitesse de la cassette, la musique a un son plus aigu (haut). En diminuant la vitesse de la cassette, la musique a un son plus grave (bas).

Régulateur du ton:

Le régulateur du ton change le ton de la musique du CD/CDG (en appuyant + ou -) pour l'adapter à la voix du chanteur.

CDG:

C'est un acronyme pour *Compact Disc plus Graphics* (disque compact et graphiques). Vous allez aussi voir les variantes CD+G et CD+Graphiques. C'est un CD audio régulier avec information emmagasinée sur une piste de données, simultanément à la musique. En termes simples, un CDG a une sortie vidéo pour simples graphiques (il ne s'agit pas d'un vidéo à mouvements complets). Dans le cas du Karaoké, la fonction graphique est utilisée pour emmagasiner les paroles des chansons et pour afficher les paroles en harmonie avec la musique. Dans la plupart des cas, le logiciel CDG affiche les paroles avec un changement de couleur lorsqu'elles doivent être chantées. Vous n'avez besoin que d'un téléviseur ordinaire pour afficher les paroles d'un CDG.

REMARQUE: CDG est un type particulier de système de codification de disque compact qui est différent du VCD et du DVD. Votre Singing Machine peut décoder les disques audio compacts ordinaires et les disques CDG. Il ne lira pas les disques codifiés VCD ou DVD.

Les disques audio ordinaires et les cassettes n'afficheront pas les paroles sur votre écran de téléviseur. Les CD audio n'ont pas le logiciel nécessaire pour afficher les paroles.





The Singing Machine Company, Inc.

535-0705-ENG-SPA-FRE01

6601 Lyons Road, Bldg. A7, Coconut Creek, FL33073-9902, USA.
TEL: (954) 596-1000 FAX: (954) 596-2000

PRINTED IN CHINA
IMPRESO EN CHINA
IMPRIMÉ EN CHINE

VISIT OUR WEBSITE www.singingmachine.com
VISITE NUESTRO SITIO INTERNET www.singingmachine.com
VISITE NOTRE SITE INTERNET www.singingmachine.com

Free Manuals Download Website

<http://myh66.com>

<http://usermanuals.us>

<http://www.somanuals.com>

<http://www.4manuals.cc>

<http://www.manual-lib.com>

<http://www.404manual.com>

<http://www.luxmanual.com>

<http://aubethermostatmanual.com>

Golf course search by state

<http://golfingnear.com>

Email search by domain

<http://emailbydomain.com>

Auto manuals search

<http://auto.somanuals.com>

TV manuals search

<http://tv.somanuals.com>