



## Instruction Manual Manual De Instrucción Manuel D'instruction

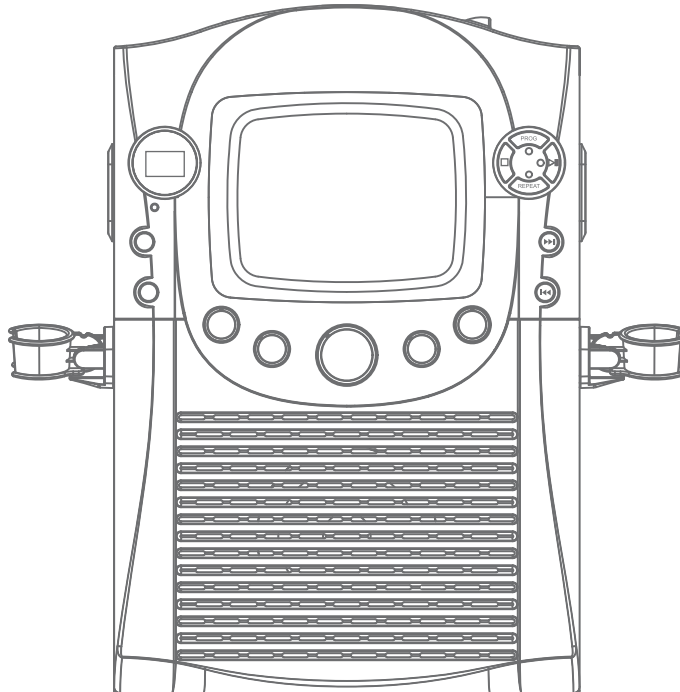
# STVG-559

Compact Disc + Graphics  
with Built-in TV Karaoke Center

Disco Compacto + Gráficos  
Con El Central De Karaoke En La TV

Disque Compact + Graphiques  
Avec TV Centre Karaoke Encastre

Please read before using this unit.  
Lea antes de usar esta unidad.  
Veuillez lire avant d'utiliser cet appareil.



The Singing Machine® is a registered trademark of The Singing Machine Co., Inc.  
The Singing Machine® es una marca registrada de The Singing Machine Co., Inc.  
The Singing Machine® est une marque déposée de The Singing Machine Co., Inc.

# WARNINGS

**WARNING:** TO REDUCE THE RISK OF FIRE OR SHOCK HAZARD, DO NOT EXPOSE THIS PRODUCT TO RAIN OR MOISTURE.



**CAUTION:** TO PREVENT THE RISK OF ELECTRIC SHOCK, DO NOT REMOVE COVER OR BACK. NO USER-SERVICEABLE PARTS INSIDE. REFER SERVICING TO QUALIFIED PERSONNEL.

The CAUTION marking is located on the rear panel.



This symbol is intended to alert you to the presence of uninsulated dangerous voltage within the product's enclosure that might be of sufficient magnitude to constitute a risk of electric shock. Do not open the product's case.



This symbol is intended to inform you that important operating and maintenance instructions are included in the literature accompanying this product.

## DRIPPING WARNING

The product shall not be exposed to dripping or splashing and that no objects filled with liquids, such as vases, shall be placed on the product.

## VENTILATION WARNING

The normal ventilation of the product shall not be impeded for intended use.

**Warning:** Changes or modifications to this unit not expressly approved by the party responsible for compliance could void the user's authority to operate the equipment.

## SAFETY CERTIFICATION

This device is made and tested to meet safety standards of the FCC, requirements and compliance with safety performance of the U.S. Department of Health and Human Services, and also with FDA Radiation Performance Standards 21 CFR Subchapter J.

Main plug is used as disconnect device and it should remain readily operable during intended use. In order to disconnect the apparatus from the mains completely, the main plug should be disconnected from the main socket outlet completely.

## Warnings:

- This CD player employs a laser light beam. Only a qualified service person should remove the cover or attempt to service this device, due to possible eye injury.
- The use of controls, adjustments, or procedures other than those specified herein might result in hazardous radiation exposure.
- The apparatus shall be used in an open area.

## CAUTION

This compact disc player is classified as a CLASS 1 LASER product.

The CLASS 1 LASER PRODUCT label is located on the rear panel.



## CAUTION!

Invisible laser radiation when open and inter locks defeated. Avoid exposure to beam.

## FCC IMPORTANT

Since CD circuitry may cause interference to other radio tuners nearby, switch this unit off when not in use or move it away from the affected radio tuner.

This device complies with part 15 of the FCC rules, operation is subject to the following two conditions: (1) this device may not cause harmful interference, and (2) this device must accept any interference received, including interference that may cause undesired operation.

This class[B] digital apparatus complies with canadian ICES-003.

Class II equipment symbol



This symbol indicates that the unit has a double insulation system.

## WARNINGS

NOTE: This digital apparatus does not exceed the Class B limits for radio noise emissions from digital apparatus as set out in the Radio Interference Regulations of Industry Canada. These limits are designed to provide reasonable protection against harmful interference in a residential installation. This equipment generates, uses and can radiate radio frequency energy and, if not installed and used in accordance with the instructions, may cause harmful interference to radio communications. However, there is no guarantee that interference will not occur in a particular installation. If this equipment does cause harmful interference to radio or television (which can be determined by turning the equipment off), the user is encouraged to try to correct the interference by one or more of the following measures:

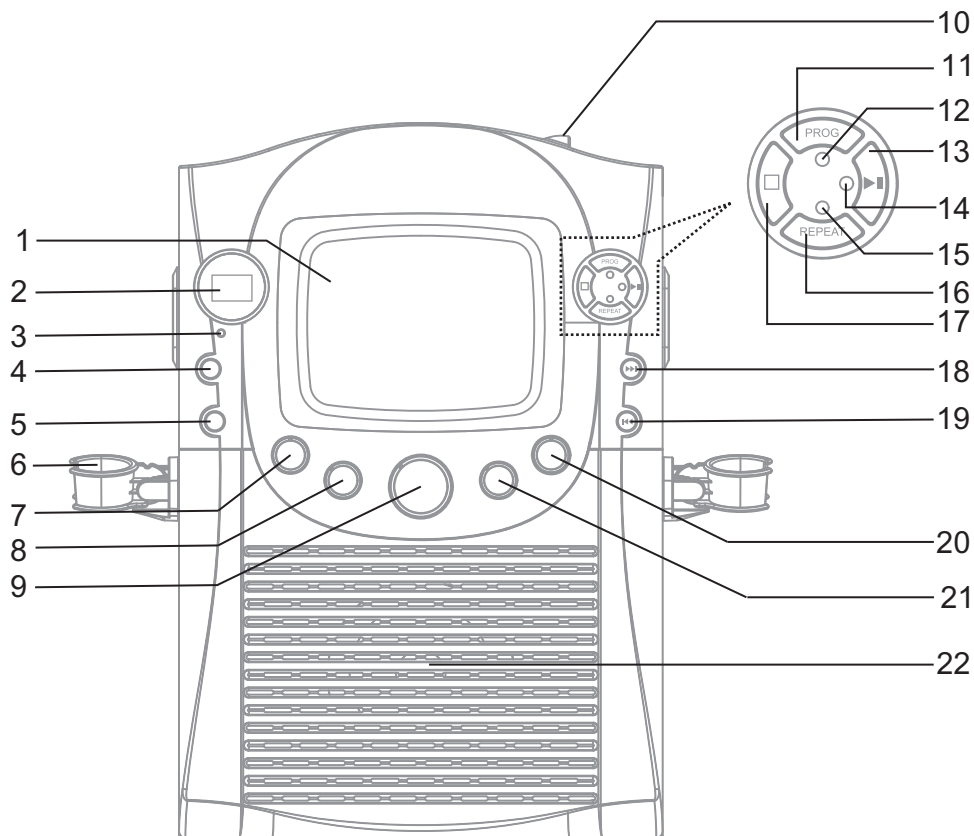
- Reorient or relocate the receiving antenna.
- Increase the separation between the equipment and receiver.
- Connect the equipment into an outlet on a circuit different from that to which the receiver is connected.
- Consult the dealer or an experienced radio / TV technician for help.

## IMPORTANT SAFETY INSTRUCTIONS

1. Read these instructions.
2. Keep these instructions.
3. Heed all warnings.
4. Follow all instructions.
5. Do not use this apparatus near water.
6. Clean only with dry cloth.
7. Do not block any ventilation openings. Install in accordance with the manufacturer's instructions.
8. Do not install near any heat sources such as radiators, heat registers, stoves, or other apparatus (including amplifiers) that produce heat.
9. Do not defeat the safety purpose of the polarized or grounding-type plug. A polarized plug has two blades with one wider than the other. A grounding type plug has two blades and a third grounding prong. The wide blade or the third prong are provided for your safety. If the provided plug does not fit into your outlet, consult an electrician for replacement of the obsolete outlet.
10. Protect the power cord from being walked on or pinched particularly at plugs, convenience receptacles, and the point where they exit from the apparatus.
11. Only use attachments/accessories specified by the manufacturer.
12. Use only with the cart, stand, tripod, bracket, or table specified by the manufacturer, or sold with the apparatus. When a cart is used, use caution when moving the cart/apparatus combination to avoid injury from tip-over.
13. Unplug this apparatus during lightning storms or when unused for long periods of time.
14. Refer all servicing to qualified service personnel. Servicing is required when the apparatus has been damaged in any way, such as power-supply cord or plug is damaged, liquid has been spilled or objects have fallen into the apparatus, the apparatus has been exposed to rain or moisture, does not operate normally, or has been dropped.



## CONTROL LOCATIONS

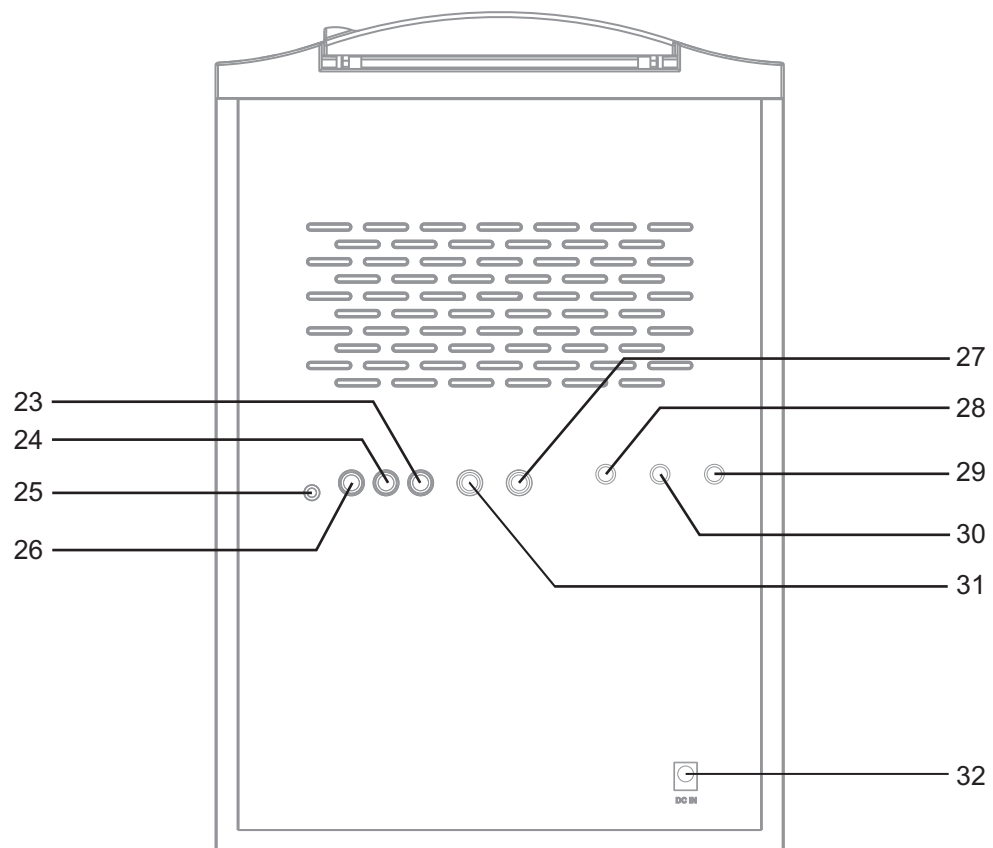


**FRONT VIEW**

- |                          |                       |
|--------------------------|-----------------------|
| 1. Monitor               | 52. PROGRAM LED       |
| 2. LED Display           | 53. PLAY/PAUSE button |
| 3. Power indicator       | 54. PLAY/PASUE LED    |
| 4. Power ON/OFF button   | 55. REPEAR LED        |
| 5. Monitor ON/OFF button | 56. REPEAT button     |
| 6. Mic Holder            | 57. STOP button       |
| 7. MIC VOLUME control    | 58. SKIP button ►►    |
| 8. A.V.C. control        | 59. SKIP button ◀◀    |
| 9. MASTER VOLUME control | 60. ECHO control      |
| 10. CD Door              | 61. BALANCE control   |
| 11. PROGRAM button       | 62. Loudspeaker       |

## CONTROL LOCATIONS

ENGLISH



### REAR VIEW

- 23. AUX OUT Jack (L)
- 24. AUX OUT Jack (R)
- 25. AUX IN Jack
- 26. VIDEO OUT Jack
- 27. MIC 2 Jack
- 28. CONTRAST Control
- 29. VERTICAL HOLD Control
- 30. BRIGHTNESS Control
- 31. MIC 1 Jack
- 32. DC Jack (DC 12V)

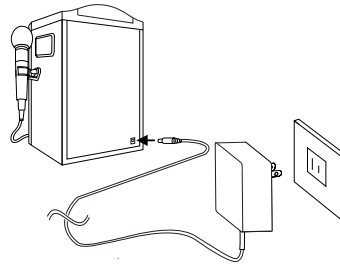
## MAKING THE CONNECTIONS

### CONNECTING POWER

Insert the DC plug of the power adapter into the DC 12V jack of the unit. You can power the system from a standard AC outlet by using the supplied Power Adapter (The adapter operates on AC 100V-240V/50Hz-60Hz  $\ominus$   $\oplus$ ).

**CAUTION:** - The included AC adaptor is for use with this unit only. Do not use it with other equipment.

- When the adaptor is plugged in, the apparatus is not completely disconnected from the main, even when the power is turned off.



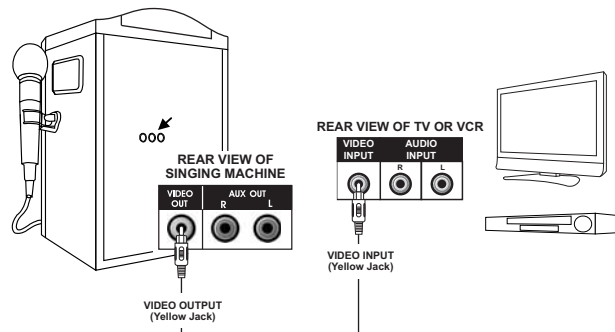
### CONNECTING TO YOUR TV OR VCR/DVD PLAYER

Your Singing Machine is designed to connect to your TV the same way you would connect most video cameras, VCR/DVD players or video game consoles.

We have provided RCA cables to connect your unit to a TV, VCR/DVD player, video device or an external audio/sound system. The RCA cables have three connections at each end (white and red are for left and right audio connections and the yellow is for video connection).

Please follow the steps below to display CD+G lyrics on the TV screen:

- (1) Locate the multi-colored RCA cables
- (2) Connect video cable (yellow) to the video out of the back of the Singing Machine
- (3) Connect the other end of the video cable (yellow) to the video input on your TV or VCR/DVD Player.



### SELECTING YOUR SINGING MACHINE AS YOUR SOURCE/INPUT

Selecting your Singing Machine as a source/input on your TV is very similar to connecting a VCR/DVD or Satellite system.

We've listed below the most common ways of selecting the source from your TV or VCR/DVD Player:

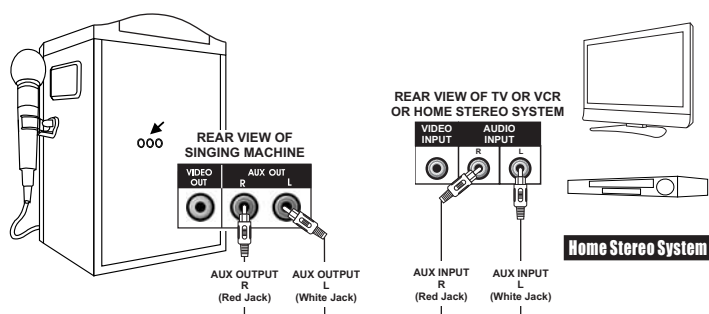
- (1) In the set up menu of the TV or VCR/DVD player there may be an option for "Input Select" where you can choose between "Cable/Ant., Video 1, Video 2, etc." as the input source.
- (2) Look for a TV channel between the highest and lowest on your TV or VCR/DVD player (i.e. AUX, EXT, LINE 1 or LINE IN)
- (3) Your remote control for either your TV or VCR/DVD player may have source input selections as well as detailed below:  
"VIDEO, VIDEO 1, GAME, AUX, EXT or LINE-IN." Choosing one of those in most cases should display the lyrics from your Singing Machine as well.

## MAKING THE CONNECTIONS

### AUDIO CONNECTION

Please follow the steps below to connect the unit to your TV or VCR or home stereo system:

- (1) Locate the multi-colored RCA cables.
- (2) Connect audio cables (White and Red) to the Audio Out (White-Left and Red-Right) of the back of the Singing Machine.
- (3) Connect the other end of the audio cables to the audio/auxiliary input on your TV or VCR or home stereo system.



ENGLISH

## CD OR CD+G OPERATION

This unit is designed to play CDs and CD+Gs bearing the identification logo respectively. If the disc does not conform to the standard, it may not play properly.



### TURNING POWER ON/OFF

- To turn on the unit, press the ON/OFF button, the ON/OFF LED Indicator will light up.
- To turn it off, press the ON/OFF button again, the ON/OFF LED Indicator will turn off.

### LOADING A DISC

- Open the CD door, place a CD or CD+G disc in the compartment with the printed side facing upward and the shiny side facing down.
- Gently close the CD door. The monitor will display the total number of tracks. (If no disc is loaded, it will display "00".)

**Note:** - Never place anything except a compact disc in the disc tray. Foreign objects can damage the unit.  
- Only place one disc on the disc tray at a time.

(Refer to the Trouble Shooting Guide if a disc is loaded but the total tracks do not appear.)

### PLAY/PAUSE

- Adjust MASTER VOLUME control on your unit, TV or audio system to a comfortable level.
- To start playing, press the PLAY/PAUSE button. The first track [ 1 ] and the PLAY/PAUSE LED will be lit.
- To temporarily stop playing, press the PLAY/PAUSE button. The PLAY/PAUSE LED Indicator will flash.
- To resume play, press this button again.

**Note:** - Pressing pause repeatedly when a CD+G is playing may cause distorted lyrics on your TV screen. Any distortion will remain on the TV screen until it is refreshed either during an instrumental break or the song is stopped and/or the song is started from the beginning.

### STOP

If the STOP button is pressed in the course of playing, the disc will cease to play. (The total number of tracks will be shown on the LED window.)

### MASTER VOLUME

Rotate to the MASTER VOLUME control to obtain the desired sound level.

**Note:** The MIC Volume must be adjusted simultaneously with the master volume level.

### SKIP (For both CD and CDG discs)

- During STOP mode, you can skip forward or back to your desired track number by pressing the SKIP buttons ( ◀◀ -SKIP- ▶▶ ).
- To resume playing the selected song, press PLAY/PAUSE button.

### SEARCH (For audio CD disc only)

When playing any audio CD, press and hold the SKIP button ( ◀◀ -SKIP- ▶▶ ). The CD will search at high speed in the forward or backward direction. Normal play will continue when you release the button.

### REPEAT

- To repeat the track currently playing, press the REPEAT button once. The REPEAT LED will start to flash.
- To repeat all tracks, press the REPEAT button twice. The REPEAT LED will light up and stay lit. Press the PLAY/PAUSE button to begin.
- To clear the REPEAT function, press the REPEAT button again. The REPEAT LED will turn off.



## CD OR CD+G OPERATION

### PROGRAM

- Use this button to program and play back songs in a preselected order.
  - Step 1: Programming should be done in the stop mode only. Press the PROGRAM button until the PROGRAM LED flashes, the track will read [00].
  - Step 2: Press the SKIP buttons (◀◀ SKIP ▶▶) to select a desired track.
  - Step 3: Press PROGRAM button to confirm entry. You can repeat the same steps up to a maximum of 24 tracks.
  - Step 4: Press PLAY button when you have completed programming and you are ready to start singing.
- Press the STOP button twice to clear all the programmed entries.

### MONITOR ON/OFF

- Press MONITOR ON/OFF button to ON if you want to display a CDG lyrics on the Singing Machine's monitor.
- Adjust the BRIGHTNESS, CONTRAST AND VERTICAL HOLD controls located on the back of the Singing Machine to display a vivid image.

### KARAOKE FUNCTIONS

Sing along with the music by plugging in the provided microphone into either one of the microphone jacks on the unit.

- Warning - Tapping or dropping the microphone while it is on can permanently damage your microphone. Resist the urge to swing the microphone around by the cord!**

### MIC VOLUME

Adjust the MIC VOLUME control to a desired level and obtain the best performance.

- Warning - To avoid Microphone feedback please avoid being too close to the speaker.**

### ECHO

Adjust the ECHO control to enhance your voice for a concert hall effect.

### BALANCE

Adjust the BALANCE control between the prerecorded singer's voice and the music when using a multiplex karaoke disc. (Please see Glossary of term to learn more about multiplex on our website.)

### AUTO VOICE CONTROL (MULTIPLEX DISCS ONLY)

AUTO VOICE CONTROL can be activated by rotating the Auto Voice Control. The vocals on the multiplex recording will be muted when using the microphone. When the microphone is not in use the pre-recorded vocals will resume on a multiplex disc.

## AUX IN OPERATION

Your Singing Machine is designed to connect your favorite Digital Music device (e.g. iPod/MP3 player, etc.) You can connect your device by using an appropriate cable (Ø3.5mm audio cable not included).

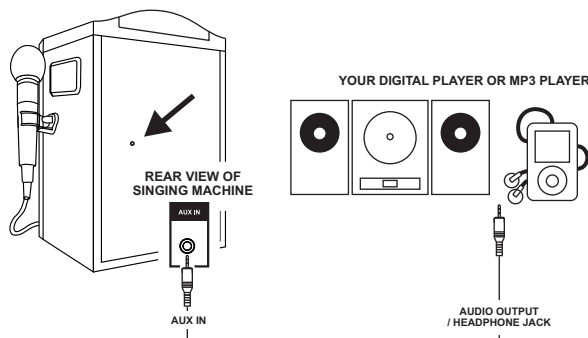
AUX IN function can always be switched ON once the audio cable is plugged.

**Note:** Monitor will be turned off when the audio cable is plugged.

### MASTER VOLUME

Rotate to the MASTER VOLUME control to obtain the desired sound level.

- Warning - To avoid the over-burst amplified volume output or possible over-tuned sound crack, you are recommended to adjust the Digital Music device volume to one third or lower at the beginning.**



## TROUBLE SHOOTING GUIDE

If you have followed the instructions and are having difficulty operating the unit, locate the PROBLEM in the left column below. Check the corresponding POSSIBLE CAUSE column to locate and remedy the problem.

PROBLEM	POSSIBLE CAUSE	SOLUTION
No power when POWER is on.	No power plug connection at the AC outlet.	Insert the power plug into the AC outlet.
No power when plugged in.	The AC outlet may not have power.	Check the outlet with a working lamp or other electrical appliance.
No sound.	Volume control is set to minimum.	Turn up the volume.
	Audio cable has not been removed from the AUX IN jack.	Remove Audio cable from the AUX IN jack.
	Volume control on TV set/PA system is set to minimum.	Turn up the volume at TV/PA system.
	TV set/PA system power is OFF.	Turn on the power at TV/PA system.
	AUX OUT jacks not connected.	Follow directions 'Audio Connection' page.
CD PLAYER Cannot work normally or "NO" is displayed.	Disc is inserted upside down.	Insert disc correctly.
	Disc is dirty.	Wipe clean with soft cloth.
	Disc is scratched.	Use a new disc.
	Disc is warped.	Use a new disc.
	A nonstandard disc is inserted.	Only use discs bearing standard logo.
	Lens is dirty.	Use a CD lens cleaner.
	Moisture has formed inside the CD deck.	Wait about 20 to 30 minutes to let it dry out.
	Singing Machine needs to be reset.	Disconnect the machine from power source for 30 seconds.

## TROUBLE SHOOTING GUIDE

PROBLEM	POSSIBLE CAUSE	SOLUTION
No sound - If audio is going through TV, VCR or home stereo.	Source Selection on your TV, VCR or home stereo is not set properly.	Select AUX IN as the source for your TV, VCR or home stereo.
	Improper Connection to stereo system or PA.	Follow direction on 'Audio Connection' page for connecting to a home stereo system.
No song lyrics appear on the TV screen.	Video cable is not connected properly to the TV.	Connect the video cable to the Singing Machine's VIDEO OUT and to the TV VIDEO IN.
	Source selector on TV is not set to VIDEO.	Using your TV Remote to select VIDEO input.
	TV does not have video line input.	Connect from VIDEO OUT of the system to the VIDEO IN on your VCR or Connect to an RF Modulator and then to the TV cable input. Check the disc to be sure it is a CDG.
	A CDG is loaded but the CDG indicator is not lit.	Check disc to be sure it is clean.
No sound from mic.	Mic volume control.	Adjust mic volume to max, and then re-adjust to a comfortable level.
	Mic is off.	Turn on mic with the ON/OFF switch located on the microphone.
Picture is jumping up and down.	VERTICAL HOLD Control is not set correctly.	Adjust the VERTICAL HOLD Control.

**SPECIFICATIONS**

<b>AUDIO SECTION:</b> OUTPUT POWER (MAXIMUM) OUTPUT IMPEDANCE	3.5 WATTS (RMS) 8 OHMS
<b>CD PLAYER SECTION:</b> FREQUENCY RESPONSE SIGNAL - TO - NOISE RATIO NUMBER OF PROGRAMS SAMPLING SYSTEM	100 Hz - 20 kHz 50 dB 24 STEPS RANDOM ACCESS PROGRAMMING 8 TIMES OVER SAMPLING
<b>MONITOR SECTION</b>	5.5" BLACK AND WHITE MONITOR NTSC SYSTEM 220 LINE RESOLUTION
<b>AUX IN SECTION</b>	Ø3.5mm stereo headphone jack
<b>MICROPHONE</b>	-73dB 600 OHMS IMPEDANCE WITH Ø6.3mm DYNAMIC MICROPHONE
<b>POWER SECTION</b>	DC 12V --- 2A ⊖ ⊕
<b>DIMENSIONS (W x D x H)</b>	9.1 x 8.8 x 13.6 inches / 23.1 x 22.4 x 34.5 cm
<b>WEIGHT</b>	7.9 lbs / 3.6 kgs

Specifications are typical, individual units might vary. They are subject to continuous improvement without notice and without incurring any obligation.

## **THE SINGING MACHINE KARAOKE GLOSSARY OF TERMS**

In addition to all of the terminology associated with consumer electronics products, a few additional terms are used almost exclusively in karaoke. These terms are meant to familiarize you with the world of Karaoke. The features listed below **may not** necessarily pertain to the particular model Singing Machine that you have. The following are some brief explanations of karaoke terms:

### **Echo:**

Echo adds depth and resonance to a singer's voice without affecting the music. This echo is produced by creating minor controlled feedback in the singer's voice.

### **Multiplex:**

Our multiplex recordings contain 2 copies of the same song. One version is a stereo recording of the song without the lead singer. The second version is recorded with the music and background vocals on the left channel and the lead singer recorded on the right channel. This 'split track' recording allows you to control the volume of the lead singer by adjusting the balance control. You can sing a duet with the lead singer or use the lead singer as a guide as you learn the song, gradually fading them out with the balance control until you are able to sing the song on your own.

### **Auto Voice Control (A.V.C.):**

When the AVC function is activated, the vocals on a multiplex recording are eliminated as soon as the singer begins singing into the microphone. When the singer stops singing, the vocals on the multiplex recording are automatically re-activated. This useful function is used primarily during practice sessions while a singer is learning a song. Please note that the AVC function only works with multiplex recording and not with standard audio recordings.

### **Key Controller:**

Key Controller changes the key of the CD/CDG music (+ or - steps) to adjust to the singer's voice.

### **CDG:**

This is an acronym for Compact Disc plus Graphics. You will also see variations CD+G, and CD+Graphics. This is a regular audio CD with information stored on a data track simultaneous to music. In laymen's terms, CDG has a video output for simple graphics (not full motion video). In the case of karaoke, the graphics function is used to store song lyrics, and display the lyrics in synch with music. In most cases, CDG software displays lyrics which change color as they are to be sung. A regular television is all that is required to display CDG lyrics.

**NOTE** - CDG is a particular type of compact disc encoding system that is different from VCD or DVD. Your Singing Machine can decode standard audio compact discs and CDG discs. It will not read VCD or DVD encoded discs.

Standard audio discs and cassette tapes will not display lyrics on your TV. Audio CDs do not contain the software necessary to display lyrics.

# ADVERTENCIAS

**ADVERTENCIA:** PARA REDUCIR EL RIESGO DE INCENDIOS O DE CHOQUES ELÉCTRICOS, NO EXPONGA ESTE EQUIPO A LA LLUVIA O HUMEDAD.



## CUIDADO

RIESGO DE CHOQUE ELÉCTRICO NO ABRA



**CUIDADO:** PARA EVITAR CHOQUES ELÉCTRICOS, NO REMUEVA LA TAPA TRASERA. NO HAY PIEZAS UTILIZABLES EN EL INTERIOR. ENTREGUE EL EQUIPO AL PERSONAL CALIFICADO PARA LA REPARACION.

Las marcas de CUIDADO están localizadas en el panel posterior.



Este símbolo tiene la intención de alertarlo para la presencia de tensiones activas peligrosas, en el interior de la caja del producto, con potencia suficiente, para ocasionar el riesgo de un choque eléctrico. No abra la caja del producto.



El símbolo tiene la intención de informarle que las instrucciones importantes de operación y mantenimiento son incluidas en la literatura que es suministrada, junto con este producto.

### ADVERTENCIA: HUMEDAD

El producto no debe ser expuesto a goteos o a derrames de líquido y ningún objeto que tenga líquidos (por ejemplo, vasos) debe ser colocado sobre el producto.

### ADVERTENCIA: VENTILACIÓN

La ventilación normal del producto no debe ser obstruida.

**Advertencia:** Los cambios y modificaciones a esta unidad expresamente no aprobados por la parte responsable del cumplimiento podría anular al usuario la autoridad para operar el equipo.

### CERTIFICADO DE SEGURIDAD

Este centro karaoke portátil ha sido fabricado y probado para cumplir con los estándares de seguridad de la FCC, requisitos y cumplimiento del funcionamiento seguro del Departamento de Salud y Servicios Humanos de EE.UU., y también con los Estándares de Funcionamiento de Radiaciones 21 CFR Subcapítulo J de la FDA.

El enchufe principal es utilizado como dispositivo de desconexión y debe estar disponible para ese uso. A fin de desconectar el equipo completamente, el enchufe principal debe ser desconectado completamente de la toma de alimentación.

### ADVERTENCIAS:

- El CD Player emplea un haz de rayos láser. Solamente un técnico calificado debe remover la tapa o tentar reparar este dispositivo, debido a posible daño a sus ojos.
- El uso de controles, ajustes de procedimientos que no son los especificados aquí pueden causar una exposición peligrosa a la radiación.
- El aparato debe ser usado en area abierta.

### CUIDADO

Este CD player es clasificado como un PRODUCTO LÁSER CLASE 1.

La etiqueta CLASS 1 LÁSER PRODUCT está localizada en el panel posterior.



### !CUIDADO!

La radiación invisible del laser esta expuesta cuando se abre la unidad. Evite exponerse al rayo laser.

### IMPORTANTE NOTIFICACION DE LA FCC

Debido a que el circuito del CD puede causar interferencia a otros radios cercanos, apague la unidad cuando no este en uso y aléjela del radio afectado.

Este dispositivo cumple con el apartado 15 de las normas FCC. El uso está sujeto a las dos condiciones siguientes: (1) Este dispositivo puede generar interferencias dañinas, y (2) este dispositivo debe aceptar cualquier interferencia recibida, incluyendo interferencias que puedan causar un funcionamiento no deseado.

Este aparato de clase [B] cumple con la norma canadiense ICES-003.

Símbolo de equipo de clase II




Este símbolo indica que la unidad tiene un sistema de aislamiento doble.

## ADVERTENCIAS

NOTA: Este aparato digital no excede los límites de Clase B para las emisiones de ruido de radio del aparato digital como estipulado en las Regulaciones de Interferencia de Radio de Industria Canadá. Estos límites fueran establecidos para proporcionar protección razonable contra la interferencia dañosa en una instalación residencial. Este equipo genera, usa y puede radiar energía de frecuencia de radio y, si no instaló y usó de acuerdo con las instrucciones, puede causar interferencias dañosas para las radiocomunicaciones. No hay ninguna garantía sin embargo, que la interferencia no ocurrirá en una instalación particular. Si este equipo causa interferencias dañosas para radio o televisión (qué puede determinarse apagando el equipo), el usuario debe intentar corregir la interferencia por uno o más de las medidas siguientes:

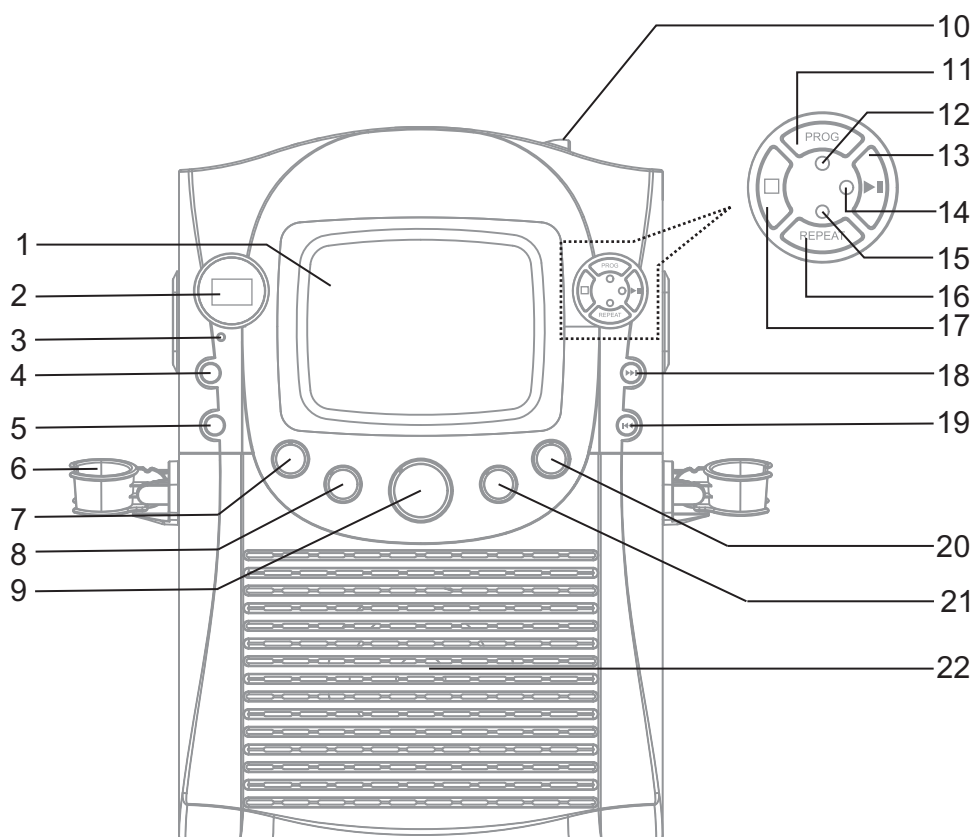
- Reoriente o re-localice la antena receptora.
- Aumente la distancia entre el equipo y receptor.
- Conecte el equipo en una toma de corriente en un circuito diferente de lo a que el receptor se conecta.
- Consulte el distribuidor o técnico de radio / Televisión para obtener ayuda.

## INSTRUCCIONES IMPORTANTES DE SEGURIDAD

1. **Lea estas instrucciones.**
2. **Conserve estas instrucciones.**
3. **Siga todas las advertencias.**
4. **Siga todas las instrucciones.**
5. **No utilice el aparato cerca del agua.**
6. **Límpielo solamente con una tela suave.**
6. **No bloquee las aperturas de ventilación.**  
Instálelo de acuerdo con las instrucciones del fabricante.
8. **No lo instale cerca de fuentes de calor como radiadores, placas, estufas, u otros aparatos (incluyendo amplificadores) que produzcan calor.**
9. **No anule la seguridad del enchufe polarizado o con toma de tierra.** Un enchufe polarizado tiene dos patillas, una de las cuales es más ancha que la otra. Un enchufe con toma de tierra tiene dos patillas y una tercera punta de tierra. La patilla ancha o la tercera punta existen para su seguridad. Si el enchufe proporcionado no encaja en su toma, consulte con un electricista para cambiar la toma.
10. **Proteja el cable de alimentación frente a pisadas y enganches, especialmente en el enchufe, tomas de corriente y el punto en el que salen del aparato.**
11. **Utilice sólo añadidos / accesorios especificados por el fabricante.**
12. **Utilícelo solamente con un carro, pie, trípode, soporte o mesa especificados por el fabricante o vendido con el aparato.** Cuando se use un carro, vaya con cuidado al mover la combinación carro / aparato para evitar daños por caída. 
13. **Desenchufe el aparato durante tormentas eléctricas o cuando lo deje sin usar durante mucho tiempo.**
14. **Dirija la asistencia técnica a personal de servicio cualificado.** La asistencia técnica es necesaria cuando el aparato se haya dañado de cualquier modo, por ejemplo si el cable de alimentación está dañado, cuando se hayan vertido líquidos o hayan caído objetos dentro del aparato, o cuando éste se haya expuesto a la lluvia o agua, no funcione normalmente, o se haya caído.

## LOCALIZACIÓN DE CONTROLES

ESPAÑOL



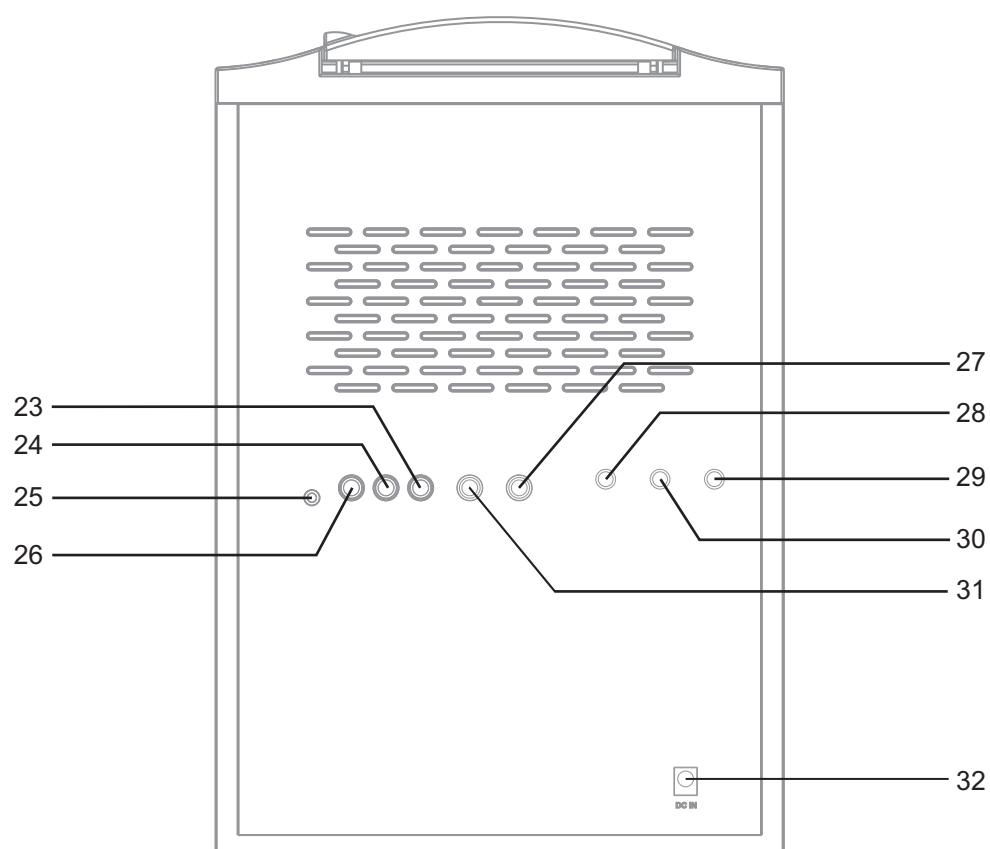
### VISIÓN FRONTAL

- |                                       |                                       |
|---------------------------------------|---------------------------------------|
| 1. Pantalla                           | 12. Indicador LED de Programa         |
| 2. LED                                | 13. Botón de Reproducir/Pausa         |
| 3. Indicador LED de Encendido/Apagado | 14. Indicador LED de Reproducir/Pausa |
| 4. Botón de Encendido/Apagado         | 15. Indicador LED de Repetir          |
| 5. Monitor ON/OFF                     | 16. Botón de Repetir                  |
| 6. Soporte de los Micrófono           | 17. Botón de Detener                  |
| 7. Control de Volumen del Micrófono   | 18. Botón de Salto hacia delante ►►   |
| 8. Control Automático de Voz          | 19. Botón de Salto hacia atrásde ◀◀   |
| 9. Control de Volumen principal       | 20. Control de Eco                    |
| 10. Puerta de CD                      | 21. Control de Balance                |
| 11. Botón de Programa                 | 22. Altavoz                           |



## LOCALIZACIÓN DE CONTROLES

ESPAÑOL



### VISTA TRASERA

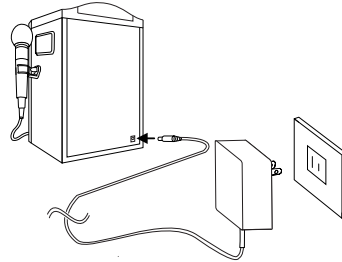
- 23. Toma de Salida Auxiliar (D)
- 24. Toma de Salida Auxiliar (E)
- 25. Toma de Entrada Auxiliar
- 26. Toma VIDEO OUT
- 27. Enchufe de Micrófono 2
- 28. Control de Contraste
- 29. Control VERTICAL HOLD
- 30. Control de Brillo
- 31. Enchufe de Micrófono 1
- 32. Jack del cable de suministro DC (DC 12V)

## HACIENDO LAS CONEXIONES

### CONEXIÓN ELÉCTRICA

Introduzca la toma CC del adaptador/cable de alimentación incluido en la toma de entrada CC 12V de la unidad. UD puede alimentar el sistema del tomacorriente normal de CA usando el cable de energía suministrado. (El adaptador funciona con CA 100V-240V/50Hz-60Hz  $\ominus$   $\oplus$ ).

**CAUTION:** - El adaptador CA incluido sólo está pensado para usarse con esta unidad. No lo use con otros equipos.  
- Cuando el adaptador esté enchufado, el aparato no queda totalmente desconectado de la corriente, aunque esté apagado.



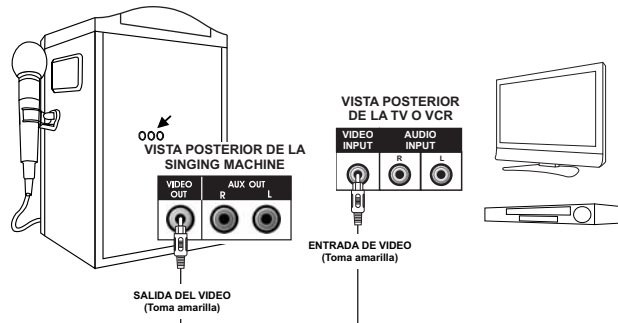
### CONEXIÓN A SU TV O REPRODUCTOR VÍDEO/DVD

Su Singing Machine está diseñado para conectar con su TV del mismo modo que conectaría la mayoría de videocámaras, reproductores de vídeo/DVD o consolas de videojuegos.

Incluimos cables RCA para conectar la unidad a una TV, reproductor vídeo/DVD, dispositivo de vídeo o sistema de sonido/audio externo. Los cables RCA tienen tres conexiones en cada extremo (La blanca y la roja son para las conexiones de audio izquierdo y derecho, y la amarilla es para la conexión de vídeo).

Siga los pasos abajo, para exhibir las letras de las músicas CDG en el pantalla de TV:

- (1) Localizar los cables de RCA de multi-colores.
- (2) Conecte el cable de vídeo (amarillo) en VIDEO OUT en la trasera de la Singing Machine (función de karaoke).
- (3) Conecte la otra punta del cable de vídeo (amarillo) a la entrada de vídeo de otra fuente tal como VCR/reproductor de DVD o TV.



### SELECCIÓN DE SU SINGING MACHINE COMO FUENTE/ENTRADA

Seleccionar su Singing Machine como fuente/entrada de su TV es muy similar a conectar un vídeo/DVD o sistema satélite.

Hemos listado a continuación las formas más habituales de selección de fuente de su TV o vídeo/DVD:

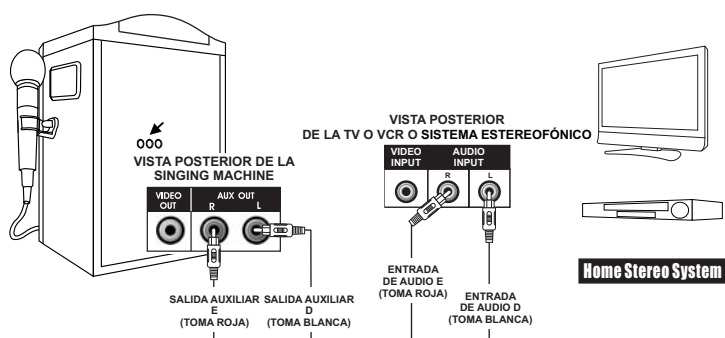
- (1) En el menú de configuración de la TV o el vídeo/DVD puede haber una opción de "Selección de entrada, en la que puede elegir entre "Cable/Ant., Video 1, Video 2, etc." como fuente de entrada.
- (2) Busque un canal de TV entre el más alto y el más bajo de su TV o reproductor DVD (i.e. AUX, EXT, LINE 1 or LINE IN).
- (3) Si mando a distancia de la TV o vídeo/DVD puede tener también selecciones de entrada, que se detallan a continuación: "VIDEO, VIDEO 1, GAME, AUX, EXT or LINE-IN." En la mayoría de los casos, elegir una de éstas debería mostrar también las letras de su Singing Machine.

## HACIENDO LAS CONEXIONES

### CONEXIÓN DE AUDIO

Siga los pasos siguientes para conectar la unidad a su TV o VCR o sistema estéreo doméstico:

- (1) Localizar los cables de RCA de multi-colores.
- (2) Conecte los cables de audio (blanco y rojo) a la salida audio (blanca-izquierda y roja-derecha) de la parte posterior del Singing Machine.
- (3) Conecte el otro extremo de los cables de audio a la entrada audio/auxiliar de su TV o VCR o sistema estéreo doméstico.



ESPAÑOL

## OPERACIÓN CD O CD+G

Esta unidad está diseñada para reproductor CD y CD+G que tengan los logos identificativos correspondientes. Si el disco no cumple con el estándar, puede que no se reproduzca correctamente.



ESPAÑOL

### ENCENDIENDO Y APAGANDO

- Para activar el Karaoke Center, presione el botón Encender/Apagar, el LED de Encender/Apagar enciende.
- Para desligar el sistema, presione el botón Encender/Apagar de nuevo, el LED de Encender/Apagar apaga.

### INSTALANDO UN DISCO

- Abra, con cuidado la puerta del CD del compartimiento CD/CDG. Instale un disco en el compartimiento, con el lado impreso para arriba y el lado brillante para abajo.
- Cierre con cuidado la tapa del compartimiento CD/DCG. En la pantalla se mostrarán el número total de pistas. (Si ningún disco estuviera colocado, el visor mostrará "n/a".)

**Nota:** - Jamás ponga cualquier cosa que no sea un CD en el compartimiento de CD. Objetos extraños pueden dañar la unidad.

- Instale solamente un disco en la bandeja, de cada vez.

(Consulte la guía de Diagnóstico y Solución de Problemas.)

### REPRODUCIR/PAUSA

- Ajuste el mando VOLUMEN MAESTRO en su unidad, TV o sistema audio a un nivel cómodo.
- Para iniciar la reproducción, presione el botón de REPRODUCIR/PAUSA. La pantalla mostrará la primera pista [ 1 ] y el indicador LED de REPRODUCIR/PAUSA se iluminará.
- Para interrumpir la reproducción, presione el botón REPRODUCIR/PAUSA de nuevo. El LED REPRODUCIR/PAUSA parpadea.
- Para continuar a reproducir, presione de nuevo el botón.

**Anotar:** - Pulsar pausa repetidamente cuando se reproduzca un CD+G puede provocar distorsiones en las letras en su pantalla de TV. Las distorsiones permanecerán en la pantalla de TV hasta que se refresque, durante una pausa instrumental o si se detiene la canción y/o se inicia la canción desde el principio.

### DETENER

Si el botón DETENER es presionado durante la reproducción, el disco interrumpe la reproducción. (El número total de pistas será mostrado en el visor LED.)

### VOLUMEN PRINCIPAL

Gire el mando VOLUMEN PRINCIPAL para obtener el nivel de sonido deseado.

**Nota:** El volumen MIC debe ajustarse de forma simultánea con el nivel de volumen maestro.

### SALTO EN LA REPRODUCCIÓN (PARA DISCOS CD Y CDG)

- Usted puede saltar siempre adelante o de nuevo a su número deseado de la pista presionando los botones del SALTO ( ◀◀ - SKIP - ▶▶ ).

### ¿Cómo BUSCAR PISTAS? (SOLAMENTE PARA CD)

Al reproducir cualquier CD de audio, presione o mantenga presionado el botón SALTO ( ◀◀ SALTO ▶▶ ) para hacer la búsqueda en alta velocidad o hacia delante o atrás. La reproducción normal continua cuando deja de presionar el botón.

## OPERACIÓN CD O CD+G

### REPETIR

- Para repetir la pista actual, presione el botón REPETIR. El LED REPETIR parpadea y la pista será repetida.
- Para repetir todas las pistas, presione dos veces, el botón REPETIR. El LED de REPETIR enciende. Presione el botón REPRODUCIR/PAUSA para iniciar la reproducción aleatoria en el CD.
- Para borrar la función de repetir, presione, nuevamente, el botón REPETIR. El LED de REPETIR apaga.

### PROGRAMA

- Use el botón de PROGRAMA para reproducir pistas seleccionadas.
  - Paso 1: La programación debe ser hecha en el modo detener. Solo presione el botón de programa hasta que el indicador LED de PROGRAMA parpadee, se mostrará la pista [CD].
  - Paso 2: Presione el botón SALTO (◀◀-SALTO▶▶) para seleccionar una pista deseada.
  - Paso 3: Presione el botón PROGRAMA, para confirmar la entrada. Ud puede repetir los pasos hasta un máximo de 24 pistas.
  - Paso 4: Presione REPRODUCIR/PAUSA cuando Ud. tenga completado la programación y esté listo para empezar a cantar.
- Para borrar todas las memorias de programación, presione el botón DETENER dos veces.

### MONITOR ON/OFF

- Presione el interruptor ON/OFF en ON si UD quiere visualizar la letra de la música del CDG, en el monitor de la Singing Machine.
- Ajuste los controles del BRILLO, CONTRASTE y VERTICAL HOLD que están situados en la parte posterior de la Máquina de Cantar para mostrar una imagen vívida.

### FUNCIONES DE KARAOKE

- Cante siguiendo la música conectando el micrófono incluido en una de las tomas de micrófono de la unidad.
- \* **Atención - golpear o dejar caer el micrófono cuando esté encendido puede dañarlo permanentemente. Evite la tentación de hacer girar el micrófono por el cable.**

### VOLUMEN DEL MICROFONO

Ajuste el volumen del micrófono al nivel deseado para obtener el mejor rendimiento.

- \* **Atención - Para evitar retroalimentaciones del micrófono, evite acercarse en exceso al altavoz.**

### ECHO

Ajuste el control ECO para mejorar la voz y obtener un efecto de sala de conciertos.

### BALANCE

Ajuste el control BALANCE entre la voz pregrabada del cantante y la música cuando use un disco de karaoke múltiplex. (Vea por favor el glosario del término para aprender más alrededor de múltiplexes en nuestro Web site.)

### CONTROL DE VOZ AUTOMÁTICO (Sólo discos multiplex)

Se puede activar el Control Automático de Voz girando el Auto Control de Voz. Las voces en la grabación múltiplex serán sordas cuando usted utiliza el micrófono. Cuando el micrófono no está en uso la voz pregrabada se reanudará en un disco multiplex.

## OPERACIÓN AUXILIAR DE LA ENTRADA

Su Singing Machine está diseñado para conectar su dispositivo preferido de la música de Digitaces (e.g. iPod/reproductor MP3, etc.). Usted puede conectar su dispositivo usando un cable apropiado (Ø 3.5mm cable de audio no incluidos)

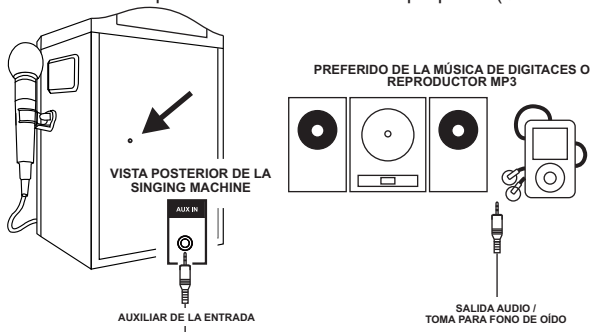
Se puede activar siempre la función AUX IN cuando el cable de audio esté conectado.

**Nota:** Al conectar el cable de audio se apagará la pantalla de Monitor.

### VOLUMEN MAESTRO

Gire el mando VOLUMEN MAESTRO para obtener el nivel de sonido deseado.

- \* **Atención - Para evitar sobre-estalló salida amplificada del volumen o grieta sobre-templada posible de los sonidos, le recomendamos para ajustar el control de volumen externo de la entrada a una mitad o más bajo al principio.**



## GUIA DE DIAGNOSTICO Y SOLUCIÓN DE PROBLEMAS

Sí UD ha seguido las instrucciones y está con dificultades en operar la unidad, localice el PROBLEMA en la columna izquierda abajo. Verifique la columna CAUSA PROBABLE para localizar y reparar el problema.

ESPAÑOL

PROBLEMA	CAUSA PROBABLE	SOLUCIÓN
La unidad no enciende .	El cable de alimentación no está conectado .	Conecte el cable a la toma de alimentación.
La unidad no enciende.	Toma CA puede estar sin energía.	Verifique la conexión con una lámpara u otro aparato eléctrico.
Sin sonido.	Control de Volumen ajustado al mínimo.	Aumente el volumen.
	El cable de audio no se ha quitado de la entrada de AUX IN.	Saque el cable de audio de la entrada de AUX IN.
	Control de Volumen de la TV /sistema PA ajustado al mínimo.	Aumente el volumen de la TV/sistema de PA.
	Aparato de TV/sistema de PA está desconectado.	Accione la energía eléctrica para la TV/sistema de PA.
	Toma AUX y OUT no conectadas.	Siga las instrucciones en la "Conexión de Audio".
CD PLAYER no puede funcionar normalmente o "??" son mostrados.	Disco colocado con su fase al contrario.	Instale el disco correctamente.
	Disco está sucio.	Pase un paño suave y limpio.
	Disco está arañado.	Use un disco nuevo.
	Disco está chueco.	Use un disco nuevo.
	Un disque non conventionnel est inséré.	Utilisez seulement des disques avec l'étiquette standard.
	L'objectif est sale	Employez un décapant CD d'objectif.
	De l'humidité s'est formée à l'intérieur du Lecteur de CD.	Attendez de 20 à 30 minutes pour laisser sécher.
	La Singing Machine doit être redémarrée.	Démontez la machine de la source d'énergie pendant 30 secondes.

## **GUIA DE DIAGNOSTICO Y SOLUCIÓN DE PROBLEMAS**

<b>PROBLEMA</b>	<b>CAUSA PROBABLE</b>	<b>SOLUCIÓN</b>
Sin sonido - si el audio estuviera pasando por el TV o VCR o sistema de sonido.	La selección de la fuente no está bien configurada en el TV o VCR o estereofónico.	Seleccione AUX IN como entrada para su equipo doméstico de música.
	Conexión inadecuada al sistema estéreo o amplificador de potencia.	Siga las instrucciones de conexión de audio para un sistema estereofónico domestico.
La letra de la música no aparece en la pantalla.	Cable de video no está conectado correctamente en la TV.	Conecte el cable de video (amarillo) en VIDEO IN/OUT en la parte trasera de la Singing Machine (función de karaoke).
	Selector de Entrada en la TV no está en video.	Use el control remoto de la TV para seleccionar la entrada de video.
	TV no tiene una entrada de video.	Conecte el VIDEO OUT del sistema al VIDEO IN de su VCR, o conecte un Modulador de RF y de este para la entrada del cable de la TV. Verifique si el disco esta CDG.
	Un CDG es colocado, pero el indicador de CDG no se enciende.	Verifique si el disco está limpio.
Sin sonido en el micrófono.	Control de volumen del micrófono ajustado al mínimo.	Ajuste el volumen del micrófono al máximo. Después reacómelo a un nivel confortable.
	El micrófono está apagado.	Encienda el micrófono con el interruptor ON/OFF (ENCENDIDO/APAGADO) localizado en el frente.
L'image saute.	Le BALAYAGE VERTICAL n'est pas réglé.	Réglez les contrôles de BALAYAGE VERTICAL.

**ESPAÑOL**

## ESPECIFICACIONES

<b>SECCIÓN DE AUDIO:</b> POTENCIA DE SALIDA (MÁXIMA) IMPEDANCIA DE SALIDA	3.5 W (RMS) 8 ohm
<b>SECCIÓN DEL CD PLAYER:</b> FRECUENCIA DE RESPUESTA RELACIÓN SEÑAL/RUIDO NÚMERO DE LOS PROGRAMAS SISTEMA DE MUESTRA	100 Hz - 20 kHz 50 dB PROGRAMACIÓN DE ACCESO ALEATORIO DE 24 PASOS ANTIALIASING (REDUCCION DE DISTORSION) 8 VECES
<b>SECCIÓN DEL MONITOR</b>	MONITOR NEGRO Y BLANCO 5.5" SISTEMA NTSC RESOLUCIÓN 220 LÍNEAS
<b>SECCIÓN DEL AUX IN</b>	La entrada de las auriculares estéreos de Ø3,5 mm.
<b>MICRÓFONO</b>	-73 dB 600 ohm DE IMPEDANCIA CON MICRÓFONO DINÁMICO Ø 6.3mm
<b>SECCIÓN DE ALIMENTACIÓN</b>	DC 12V --- 2A ⊖ ⊕
<b>DIMENSIONES</b> (ALTURA X ANCHO X PROFUNDIDAD)	9.1 x 8.8 x 13.6 Pulgadas / 23.1 x 22.4 x 34.5 Centímetros
<b>PESO</b>	7.9 lbs / 3.6 kgs

Especificaciones son típicas, unidades individuales pueden tener variaciones. Ellos (ellas) están sujetas a mejoría constante sin previo aviso y sin incurrir en ninguna obligación.



## **GLOSARIO DE TÉRMINOS DE KARAOKE DE LA SINGING MACHINE**

Además de toda la terminología asociada a los productos electrónicos de consumo, algunos ítems adicionales son usados casi exclusivamente en karaoke. Estos términos tienen el objetivo de familiarizarle con el mundo del karaoke. Los recursos enumerados abajo pueden no pertenecer, necesariamente, al modelo de Singing Machine que Ud. tiene. Abajo algunas explicaciones resumidas de los términos de Karaoke:

### **Control ECHO:**

El eco da profundidad y resonancia a la voz del cantante, sin afectar la música. El eco es producido por una realimentación controlada de la voz del cantante.

### **Grabación Múltiple:**

Nuestras grabaciones múltiple tienen 2 copias de la misma canción. Una versión es una grabación estereofónica de la canción sin la voz del cantante. La segunda versión es grabada con la música y voces de fondo, en el canal izquierdo y el cantante principal, en el canal derecho. Esta grabación "split track" (pista compartida) permite que Ud. tenga un control del volumen de la voz del cantante principal ajustando el control de BALANCE. Ud. puede hacer un dueto con el cantante principal o usar el vocalista como un guía, para aprender la canción, reduciendo, gradualmente, el control de BALANCE, hasta que Ud. sea capaz de cantar la canción por Ud. mismo.

### **Control Automático de Voz (A.V.C.):**

Cuando la función AVC es activada, las voces, en una grabación múltiple, son eliminadas así que el cantante empiece a cantar con el micrófono. Cuando el cantante para de cantar, las voces, en la grabación múltiple son inmediatamente reactivadas. Esta función útil es usada, principalmente, durante las secciones de ensayo, cuando el cantante está aprendiendo la canción. Por favor observe que la función de AVC sólo funciona con grabaciones múltiple y no con grabaciones normales de audio.

### **Controlador Principal:**

Este control cambia el tono de la música CD/CDG (tonos + o -) para ajustar la voz del cantante.

### **CDG:**



Esto es un acrónimo para Compact Disc más Graphics. Ud. encontrará también las variaciones CD+G y CD + imágenes (CD + Graphics). Él es un CD de audio normal, con informaciones almacenadas, en una trilla de datos, simultánea a la música. En lenguaje simple, CDG, tiene una salida de video para imágenes simples (no un video con movimientos completos). En el caso de karaoke, la función de imagen es usada para almacenar letras de música y visualizar la letra en sincronía con la música. En la mayoría de los casos el software CDG exhibe la letra de la música que cambia de color a la medida que ella debe ser cantada. Un aparato normal de televisión es todo lo que necesita para ver las letras del CDG.

**ATENCIÓN** - CDG es un tipo especial de sistema de codificación del CD que es diferente de un VCD o DVD. Su Singing Machine puede decodificar CDs normales de audio y discos CDG. El no reproduce VCD o DVD.

Discos de audio estándar y cintas casetes no exhiben las letras de música en su TV. Los discos de audio, no tienen el software necesario para visualizar las letras de las pistas.

# AVERTISSEMENTS

**AVERTISSEMENT:** POUR RÉDUIRE LE RISQUE D'INCENDIE OU DE CHOC NE PAS EXPOSER CE PRODUIT À LA PLUIE OU HUMIDITÉ.

	<b>AVERTISSEMENT</b> RISQUE DE CHOC ÉLECTRIQUE NE PAS OUVRIR	
<b>AVERTISSEMENT:</b> POUR ÉVITER DES RISQUES DE CHOC ÉLECTRIQUE, NE RETIREZ PAS LE COUVERCLE NI LE PANNEAU ARRIÈRE. NE CONTIENT PAS DE PIÈCES RÉPARABLES PAR L'UTILISATEUR. SOUMETTRE TOUTES LES RÉPARATIONS À UN PERSONNEL QUALIFIÉ.		

La marque AVERTISSEMENT est situé sur le panneau arrière.



Ce symbole vous alerte de la présence de voltage dangereux non isolé à l'intérieur des produits et qui auraient une force suffisante pour provoquer des risques de choc électrique. Ne pas ouvrir le boîtier de l'appareil.



Ce symbole vous informe que d'importantes instructions de fonctionnement et d'entretien sont comprises dans la littérature qui accompagne le produit.

## AVERTISSEMENT HUMIDITÉ

Ne pas exposer le produit à des gouttes ni à des éclaboussures et il ne faut placer aucun objet contenant des liquides (vases par exemple) à proximité du produit.

## AVERTISSEMENT POUR LA VENTILATION

La ventilation normale du produit ne doit pas être obstruée pour l'usage prévu.

**AVERTISSEMENT:** Des modifications non autorisées expressément par le fabricant pourraient annuler l'autorité de l'utilisateur pour utiliser cet appareil.

## CERTIFICATION DE SÉCURITÉ

Ce système de Haut-parleurs pour iPod est fabriqué et testé pour répondre aux standards de sécurité de FCC, aux exigences et à la conformité de la performance de sécurité des Etats-Unis. Département des Services Humains et de Santé et aussi avec les Standards de Performance de Radiation FDA 21CFR Sous-chapitre J.

La prise du secteur ne doit pas être obstruée ou doit être facilement accessible pendant son utilisation. Pour être complètement déconnecté de l'alimentation d'entrée, la prise doit être débranchée du secteur.

## AVERTISSEMENTS:

- Le lecteur de CD utilise un rayon laser. Le couvercle ne pourra être retiré que par une personne qualifiée et les tentatives de réparations de cet appareil aussi, à cause de possibles blessures aux yeux.
- L'utilisation de contrôles, réglages, ou procédures autres que ceux/celles spécifié(e)s ici pourrait causer une exposition dangereuse à des radiations.
- Utilisez l'appareil dans un endroit ouvert.

## AVERTISSEMENT

Le lecteur de disque compact est classé PRODUIT LASER CLASSE 1.

L'étiquette PRODUIT LASER DE CLASSE 1 est situé sur le panneau arrière.



## AVERTISSEMENT!

Radiation laser invisible quand ouvert et verrous désengagés. Eviter l'exposition aux rayons solaires.

## IMPORTANT FCC (FEDERAL COMMUNICATIONS COMMISSION)

Puisque les circuits de ce lecteur CD peuvent créer des parasites aux autres syntoniseurs radio à proximité, mettez cet appareil hors tension lorsque vous ne l'utilisez pas ou éloignez-le du syntoniseur qui subit les interférences.

Cet appareil est conforme aux règles FCC Partie 15. Son fonctionnement est sujet aux deux conditions suivantes : (1) Cet appareil peut causer des interférences dangereuses et (2), cet appareil doit accepter n'importe quelle interférence reçue y compris l'interférence causée par un fonctionnement indésirable.

Cet appareil numérique de la classe B est conforme à la norme NMB-003 du Canada.

Symbole d'équipement de la classe II




Ce symbole indique que l'unité a un double système d'isolation.

# AVERTISSEMENTS

REMARQUE: Cet appareil numérique ne dépasse pas les limites de classe B se rapportant aux émissions de parasites radio provenant d'appareils numériques, selon les restrictions d'Industrie Canada relatives aux interférences radio. Cet appareil génère, utilise et peut émettre des fréquences radio et s'il n'est pas installé et installé selon les instructions, peut nuire aux radiocommunications. Toutefois, rien ne garantit que des parasites ne surviendront pas dans une installation particulière. Si cet appareil cause des interférences nuisibles à la réception du téléviseur ou de la radio, ce que vous pouvez déterminer en ouvrant et en fermant votre appareil, nous vous invitons à essayer l'une des mesures correctives suivantes:

- Réorientez ou déplacez l'antenne de réception installée sur l'appareil qui manifeste les parasites.
- Éloignez l'appareil du composant qui reçoit les ondes.
- Branchez l'appareil dans une prise de courant CA différente de celle du composant qui reçoit les ondes.
- Au besoin, consultez votre marchand électronique ou un technicien spécialisé dans le service des Radios/téléviseurs pour des suggestions supplémentaires.

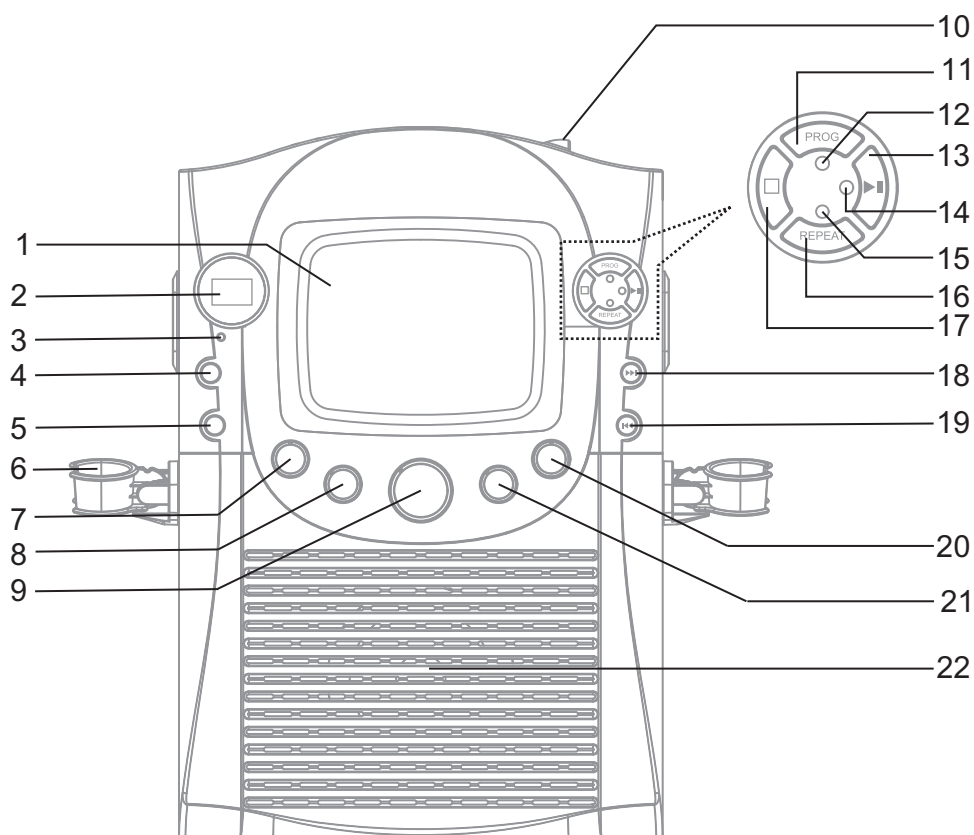
# IMPORTANTES INSTRUCTIONS DE SECURITE

1. **LISEZ LES INSTRUCTIONS**
2. **CONSERVEZ LES INSTRUCTIONS**
3. **CONFORMEZ-VOUS AUX AVERTISSEMENTS**
4. **SUIVEZ TOUTES LES INSTRUCTIONS**
5. **N'utilisez pas l'appareillage de tps près de l'eau.**
6. **Nettoyez seulement avec un tissu sec**
7. **Ne bloquez aucune de ces ouvertures de ventilation.** Installez selon des instructions de manufacturer's.
8. **N'installez près d'aucune source principale telle que des radiateurs, des registres de tête, des fourneaux, ou d'autres amplificateurs apparatus(including) cette chaleur de produit.**
9. **Ne défaites pas le but de sûreté de la prise ou du fondre-type polarisée prise.** A polarized la prise a deux lames avec une plus au loin qui l'autre. Un type au sol prise a deux lames et un tiers groupant la lame de prong. The au loin ou la troisième fourche sont donnés pour la sûreté. Si la prise fournie ne s'adapte pas dans votre sortie, consultez un électricien pour le remplacement de la sortie désuète.
10. **Protégez le cordon de secteur contre être marchée dessus ou pincement, en particulier derrière les prises, derrière les receptacles d'convenience, et derrière le point où ils sortent de l'appareil.**
11. **Employez seulement attachments/accessories indiqué par le fabricant.**
12. **Utilisation sur ly avec un stand, un trépied, une parenthèse, ou une table de chariot indiquée par le fabricant ou vendue avec l'appareil.** Quand un chariot est utilisé, faites attention en déplaçant la combinaison de cart/apparatus pour éviter des dommages de tipover. 
13. **Débranchez l'apparatus pendant les orages de foudre ou si inutilisé pendant de longues périodes.**
14. **Référez-vous tous qui entretiennent au personnel de service qualifié.** On a renversé l'entretien est exigé quand l'appareil a été endommagé de quelque façon, comme si puissance-fournissez la corde ou la prise est endommagée, liquide ou les objets sont tombés dans l'appareil, ou quand l'appareil a été exposé à la pluie ou à l'humidité, ne fonctionne pas normalement, ou a été lâché.

FRANÇAIS

## LOCALISATION DES CONTRÔLES

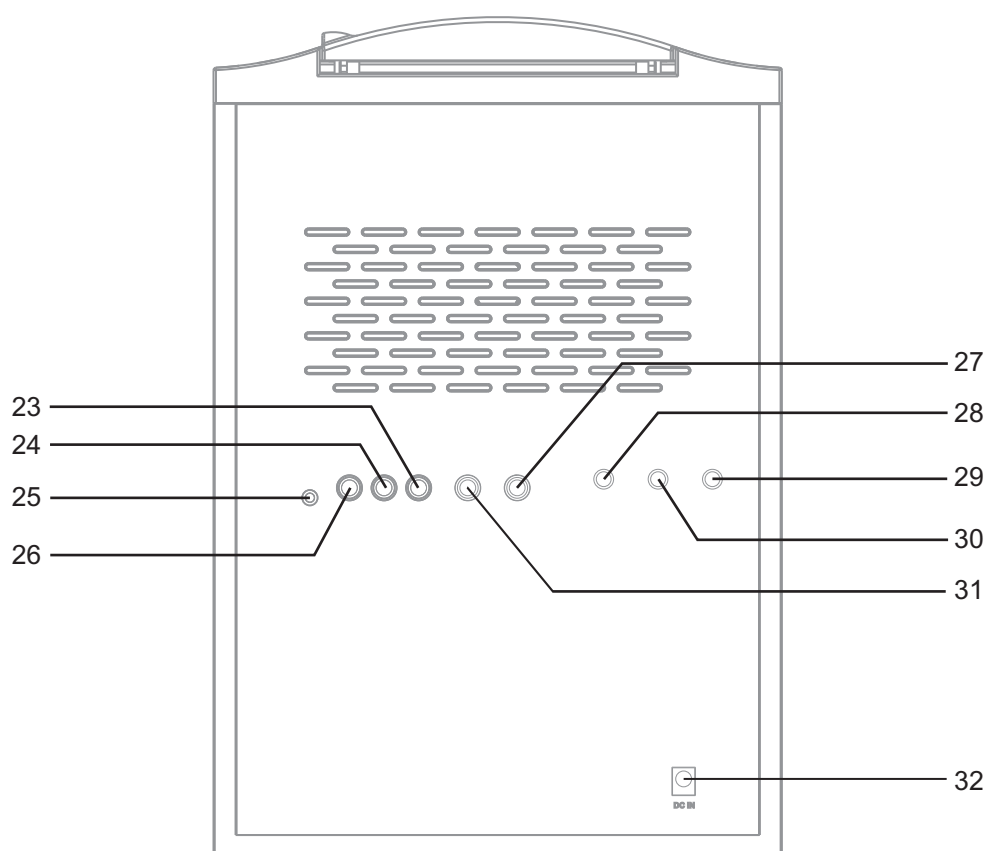
FRANÇAIS



### VUE DE FACE

- |                                   |                               |
|-----------------------------------|-------------------------------|
| 1. MONITEUR                       | 12. LED PROGRAMME             |
| 2. Affichage Lumineux LED         | 13. Bouton REPRODUCTION/PAUSE |
| 3. Indicateur LED ALLUME/ETEINDRE | 14. LED REPRODUCTION/PAUSE    |
| 4. Bouton ALLUME/ETEINDRE         | 15. LED REPETITION            |
| 5. ETEINDRE / ALLUMER le moniteur | 16. Bouton REPETER            |
| 6. Support de Micro               | 17. Bouton ARRÊT              |
| 7. Contrôle de VOLUME MICRO       | 18. Bouton SAUTER ►►          |
| 8. Contrôle Automatique de Voix   | 19. Bouton SAUTER ◄◄          |
| 9. Contrôle de VOLUME PRINCIPAL   | 20. Contrôle de ECHO          |
| 10. Porte du CD                   | 21. Contrôle de Balance       |
| 11. Bouton PROGRAMME              | 22. Haut-parleur              |

## LOCALISATION DES CONTRÔLES



### VUE ARRIERE

- 23. Jack de sortie auxiliaires (Gauche)
- 24. Jack de sortie auxiliaires (Droite)
- 25. Jack d'entrée auxiliaires
- 26. Prise jack SORTIE VIDEO
- 27. Prise jack MIC 2
- 28. Contrôle du CONTRASTE
- 29. Le BALAYAGE VERTICAL
- 30. Contrôle de LUMINOSITÉ
- 31. Prise jack MIC 1
- 32. Prises Jack entree (DC 12V)

## POUR FAIRE LES CONNEXIONS

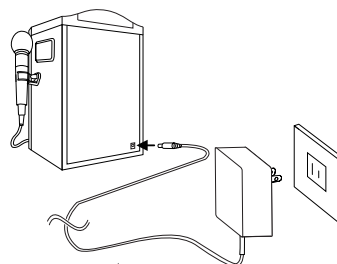
### BRANCHEMENT DE L'ALIMENTATION

Insérez la prise DC de l'adaptateur/cordon d'adaptateur fourni dans la prise jack DC 12V de l'appareil.

Vous pouvez brancher le système à une prise AC normale en utilisant le fil d'alimentation fourni. (L'adaptateur fonctionne sur AC 100V-240V/50Hz-60Hz  $\ominus$   $\oplus$ ).

**AVERTISSEMENT:** - L'adaptateur AC fourni est à utiliser uniquement avec cet appareil. Ne les utilisez pas avec d'autres appareils.

- Lorsque l'adaptateur est branché, l'appareil n'est pas complètement déconnecté de la prise, même s'il est hors tension.



FRANÇAIS

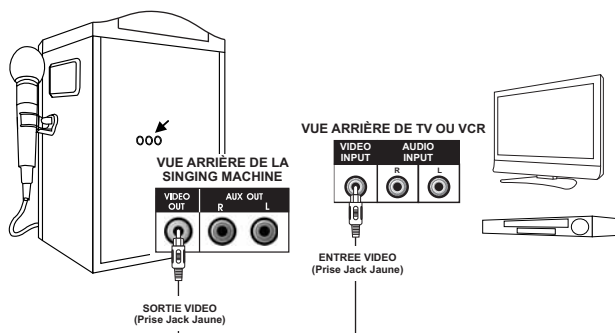
### CONNEXION A VOTRE TV OU MAGNÉSCOPE OU LECTEUR DVD

Votre Singing Machine est conçu pour être connecté à votre TV, magnétoscope/DVD, appareil vidéo ou tout système audio/son externe.

Des câbles RCA sont fournis pour connecter votre appareil à un téléviseur, magnétoscope/DVD, appareil vidéo ou tout système audio/son externe. Les câbles RCA possèdent trois connexions à chaque extrémité (Le blanc et le rouge sont pour les connexions audio droite et gauche et le jaune pour la connexion vidéo).

Veillez suivre les étapes ci-dessous pour afficher les paroles du CDG sur Ecran de TV:

- (1) Localisez les câbles multicolores RCA.
- (2) Connectez le câble vidéo (jaune) à l'SORTIE Vidéo à l'arrière de la Singing Machine.
- (3) Connectez l'autre extrémité au câble vidéo (jaune) à la ENTREE Vidéo d'une autre source vidéo, telle que MAGNETOSCOPE/lecteur DVD ou TV.



### SÉLECTIONNER VOTRE SINGING MACHINE COMME SOURCE/ENTRÉE

Sélectionner votre Singing Machine comme source/entrée sur votre téléviseur ressemble beaucoup à la connexion d'un magnétoscope/DVD ou un système satellite.

Ci-dessous la liste des différentes façons de sélectionner la source depuis votre téléviseur ou magnétoscope/LECTEUR DVD.

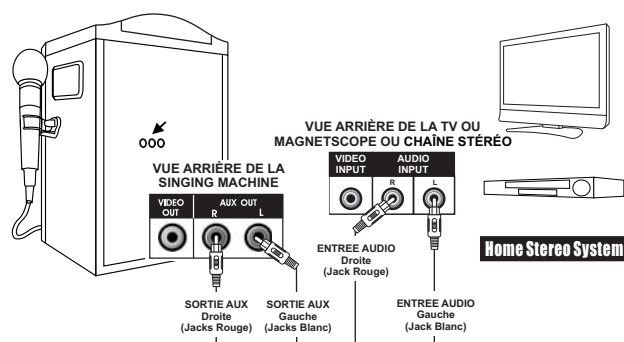
- (1) Dans le menu réglage du téléviseur ou magnétoscope/DVD, il peut y avoir un choix « choix entrée » où vous pouvez choisir entre «Cable/Ant., Video 1, Video 2, etc.» comme source d'entrée.
- (2) Cherchez un canal TV entre le plus élevé et le plus bas sur votre téléviseur ou lecteur DVD. (i.e. AUX, EXT, LINE 1 or LINE IN)
- (3) Votre télécommande pourrait également offrir le choix de la source d'entrée comme détaillé ci-dessous:  
"VIDEO, VIDEO 1, GAME, AUX, EXT or LINE-IN." Choisir l'une de ces options affiche dans la plupart des cas également le menu de votre Singing Machine.

## POUR FAIRE LES CONNEXIONS

### CONNEXION AUDIO

Veillez suivre les étapes ci-dessous pour connecter votre appareil au téléviseur ou DVD ou système stéréo.

- (1) Localisez les câbles multicolores RCA.
- (2) Connectez les câbles audio (blanc et rouge) à la sortie audio (blanc à gauche et rouge à droite) de l'arrière du Singing Machine.
- (3) Connectez l'autre extrémité des câbles audio à l'entrée audio/auxiliaire de votre téléviseur ou magnétoscope ou système stéréo.



FRANÇAIS

## FONCTIONNEMENT DU CD OU CD+G

Cet appareil est conçu pour lire des CD et des CD+G portant respectivement le logo d'identification. Si le disque n'est pas conforme au standard, il pourrait ne pas être lu correctement.



### POUR ALLUMER/ETEINDRE

- Pour allumer le Centre Karaoké, pressez le bouton ALIMENTATION, l'indicateur LED ALLUME s'allume.
- Pour ETEINDRE le système, pressez le bouton ALIMENTATION à nouveau, l'indicateur LED ALLUME s'éteint.

### CHARGEMENT D'UN DISQUE

- Soulevez la porte de CD pour ouvrir le compartiment CD/CDG. Placez un disque dans le compartiment avec le côté imprimé tourné vers le haut et le côté brillant vers le bas.
- Fermez doucement la porte du CD du compartiment CD/CDG. Le moniteur va afficher un nombre totale de pistes. (Si aucun disque n'est chargé, "70" est affiché. )

**Note:** - Ne jamais placer autre chose qu'un disque compact dans le compartiment à disques. Des corps étrangers peuvent endommager l'appareil.  
- Ne placer qu'un seul disque sur le plateau à la fois.

(Voir le Guide de Localisation si un disque est chargé mais que le nombre total de pistes n'apparaît pas.)

### LECTURE/PAUSE

- Réglez le VOLUME PRINCIPAL sur votre appareil, téléviseur ou système audio à un niveau convenable.
- Pour commencer à jouer, pressez le bouton LECTURE/PAUSE. La première piste [ 0 1 ] et l'indicateur LED REPRODUCTION/PAUSE seront affichés.
- Pour arrêter de jouer momentanément pressez le bouton LECTURE/PAUSE à nouveau. L'indicateur LED LECTURE/PAUSE clignotera.
- Pour arrêter de jouer, pressez le bouton à nouveau.

**Note:** - Un appui répété sur pause lors de la lecture d'un CD+G pourrait provoquer des affichages déformés sur votre écran TV. Toute déformation restera sur l'écran TV jusqu'à réinitialisation soit pendant une pause instrumentale ou quand la chanson est arrêtée et/ou quand la chanson reprend depuis le début.

### ARRET

Si le bouton ARRET est pressé pendant la reproduction, le disque s'arrêtera de jouer. (Le nombre total de pistes est montré dan la fenêtre LED).

### VOLUME PRINCIPAL

Tournez le bouton de contrôle PRINCIPAL pour obtenir le niveau de son souhaité.

**Note:** Le volume MIC doit être réglé simultanément en fonction du volume principal.

### SAUTER REPRODUCTION (POUR DISQUES CD AUDIO ET CDG)

- Vous pouvez toujours sauter en avant ou de nouveau à votre nombre désiré de voie en appuyant sur les boutons de SAUT ( ◀◀-SKIP- ▶▶ ).

### RECHERCHE (SEULEMENT POUR DISQUES CD AUDIO)

Quand vous jouez un CD audio, pressez et maintenez le bouton SAUTER ( ◀◀-SKIP- ▶▶ ) et le CD cherchera à grande vitesse en avant ou en arrière. La lecture normale continuera lorsque vous aurez relâché le bouton.



## FONCTIONNEMENT DU CD OU CD+G

### REPETER

- Pour répéter la piste actuelle, pressez le bouton REPETITION une fois. L'indicateur LED REPETITION clignote.
- Pour répéter toutes les pistes, pressez le bouton REPETITION deux fois. L'indicateur LED REPETITION s'allume.
- Pour annuler la fonction Répétition, pressez le bouton REPETITION à nouveau. L'indicateur LED REPETITION s'éteint.

### PROGRAMME

- Utilisez le bouton PROGRAMME pour jouer les chansons en ordre présélectionné.
  - Etape 1: Programmer en mode d'arrêt seulement. Pressez la touche de programmation jusqu'à ce que le témoin lumineux LED s'allume, la piste lira [ 00 ].
  - Etape 2: Pressez le bouton SAUTER (◀◀-SKIP-▶▶) pour sélectionner la piste désirée.
  - Etape 3: Pressez le bouton PROGRAMME pour confirmer l'entrée. Vous pouvez répéter les étapes jusqu'à un maximum de 24 pistes.
  - Etape 4: Pressez LECTURE après avoir terminé de programmer et vous êtes prêt à commencer à chanter.
- Pour vider toutes les mémoires programmées, pressez le bouton ARRÊT deux fois.

### MONITEUR ALLUMER/ETEINDRE

- Pour jouer un disque CDG, placez le sélecteur MONITEUR en mode Allumer.
- Ajustez la luminosité, le contraste et la tenue vertical avec les boutons situés à l'arrière de la machine à chanter pour afficher une image vivante.

### FONCTION KAROKÉ

Chantez en même temps que la musique en branchant le microphone fourni dans l'une des deux prises Jack pour micro de l'appareil.

- \* **Avertissement – Taper sur le micro ou le laisser tomber pendant qu'il est branché peut l'endommager d'une façon irréversible. Résistez à la tentation de faire tourner le micro comme une hélice autour du cordon.**

### MIC VOLUME

Réglez le VOLUME MIC au niveau souhaité obtenant ainsi les meilleures performances

- \* **Avertissement – Pour éviter l'effet Larsen, évitez de vous rapprocher du haut-parleur.**

### ECHO

Réglez le bouton contrôle pour mettre en valeur votre voix et obtenir l'effet salle de concert.

### BALANCE

Réglez le bouton BALANCE entre la voix préenregistrée du chanteur et la musique lors de l'utilisation d'un disque karaoké multiplex. (Veuillez voir le glossaire de la limite pour apprendre plus environ multiplex sur notre site Web.)

### AUTO VOICE CONTROL (DISQUES MULTIPLEX SEULEMENT)

Le contrôle de la voix automatique peut être activé en tournant le bouton voix automatique. La voix sur l'enregistrement multiplex sera mis en sourdine lorsque vous utilisez le microphone. Quand le microphone n'est pas utilisé les voix pré-enregistrées seront reprises sur un disque multiplex.

## OPÉRATION AUXILIAIRE D'ENTRÉE

Votre Singing Machine est conçu pour être connecté à votre dispositif préféré de musique de Digitals (e.g. iPod/lecteur MP3, etc.). Vous pouvez relier votre dispositif en employant un câble approprié (∅3,5mm câble audio n'est pas inclus, non fourni).

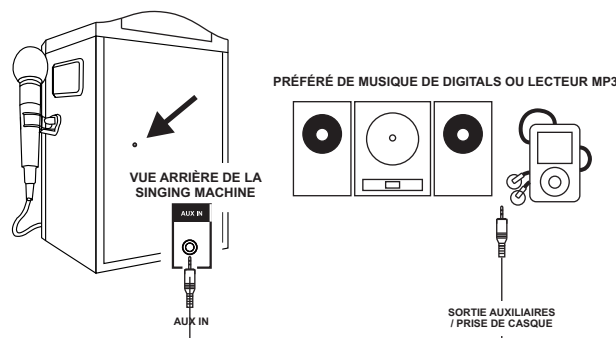
La fonction AUX IN peut toujours être allumée sur ON une fois que le câble audio est branché.

**Note:** L'affichage MONITEUR sera éteint quand le câble est branché.

### VOLUME PRINCIPAL

Tournez le bouton de contrôle PRINCIPAL pour obtenir le niveau de son souhaité.

- \* **AVERTISSEMENT:** - Pour éviter au-dessus-a éclaté le rendement amplifié de volume ou fente saine au-dessus-accordée possible, vous êtes recommandé pour ajuster la commande de volume externe d'entrée sur un tiers ou inférieur au début.



## GUIDE DE LOCALISATION DE PROBLEMES

Si vous avez suivi les instructions et que vous avez des difficultés à faire fonctionner l'appareil, localisez le PROBLEME dans la colonne de gauche ci - dessous. Vérifiez la CAUSE POSSIBLE correspondante dans la colonne de localisation et réglez le problème.

FRANÇAIS

PROBLEME	CAUSE POSSIBLE	SOLUTION
Ne s'allume pas quand il est en position ALLUME.	Pas de connexion de la prise d'alimentation à la prise AC.	Insérez la prise d'alimentation dans la prise AC.
Ne s'allume pas quand il est branché.	La prise AC n'est peut - être pas alimentée en électricité.	Vérifiez la prise avec une lampe qui fonctionne ou un autre appareil électrique.
Pas de son.	Le Contrôle de Volume est au minimum.	Augmentez le volume.
	Le câble audio n'a pas été enlevé de la fiche AUX IN.	Enlevez le câble audio de la fiche AUX IN.
	Le Contrôle de Volume sur l'appareil TV/système PA est au minimum.	Augmentez le volume du système TV/PA.
	Appareil TV/système PA (Public) ETEINT.	Allumez le système TV/Public.
	Jacks de SORTIE AUX non branchés.	Suivez les instructions de la "Connexion Audio".
Le LECTEUR DE CD ne fonctionne pas normalement ou bien "NO" sont affichés.	Le Disque a été placé à l'envers.	Insérez le disque correctement.
	Le disque est sale.	Nettoyez avec un chiffon doux.
	Le Disque est rayé.	Utilisez un nouveau disque.
	Le Disque est tordu.	Utilisez un nouveau disque.
	Un disque non conventionnel est inséré.	Utilisez seulement des disques avec l'étiquette standard.
	L'objectif est sale	Employez un décapant CD d'objectif.
	De l'humidité s'est formée à l'intérieur du Lecteur de CD.	Attendez de 20 à 30 minutes pour laisser sécher.
	La Singing Machine doit être redémarrée.	Démontez la machine de la source d'énergie pendant 30 secondes.

## GUIDE DE LOCALISATION DE PROBLEMES

PROBLEME	CAUSE POSSIBLE	SOLUTION
Pas de son (si l'audio passe par TV ou MAGNETOSCOPE ou l'appareil stéréo).	Le choix de source sur votre stéréo n'est pas placé correctement.	Sélectionnez ENTREE AUX comme source pour votre TV ou MAGNETOSCOPE ou appareil stéréo.
	Connexion incorrecte à l'appareil stéréo ou au système PA (public).	Suivez les instructions pour connecter à votre appareil stéréo.
Les paroles n'apparaissent pas sur l'écran.	Le câble vidéo n'est pas connecté correctement à la TV.	Raccorder le câble vidéo à la prise de sortie VIDEO OUT du Singing Machine et à la prise d'entrée VIDEO IN du téléviseur.
	Le sélecteur de source de la TV n'est pas placé sur VIDEO.	Utilisez la télécommande de votre TV pour sélectionner l'entrée VIDEO.
	La TV ne possède pas d'entrée vidéo.	Connectez la SORTIE VIDEO de l'appareil et ENTREE VIDEO de votre MAGNETOSCOPE, ou connectez - le à un Modulateur RF et ensuite à l'entrée de câble TV. Vérifier que le disque est un CDG.
	Un CDG est chargé mais le témoin CDG ne s'allume pas.	Vérifiez que le disque est propre.
Pas de son du micro.	Contrôle de volume micro.	Réglez le volume à micro max. Puis revenez-le à un niveau confortable.
	Mic est désactivé.	Allumez micro avec l'interrupteur ON / OFF situé sur le microphone.
L'image saute.	Le BALAYAGE VERTICAL n'est pas réglé.	Réglez les contrôles de BALAYAGE VERTICAL.

FRANÇAIS

## DETAILS TECHNIQUES

<b>SECTION AUDIO:</b> ALIMENTATION DE SORTIE (MAXIMUM) IMPÉDANCE DE SORTIE	3,5 WATTS (RMS) 8 OHMS
<b>SECTION DU LECTEUR DE CD:</b> RÉPONSE DE FRÉQUENCE RAPPORT SIGNAL - BRUIT NOMBRE DE PROGRAMMES SYSTÈME D'ÉCHANTILLONNAGE	100 Hz - 20 kHz 50 dB PROGRAMMATION ALÉATOIRE À 24 TOURS ANTICRÉNELAGE 8 FOIS
<b>SECTION MONITEUR</b>	MONITEUR NOIR ET BLANC 5,5" SYSTÈME NTSC RÉSOLUTION DE 220 LIGNES
<b>SECTION AUX IN</b>	Prise casque stéréo Ø3.5mm
<b>MICRO</b>	IMPEDANCE -73 dB 600 OHMS AVEC MICRO DYNAMIQUE Ø 6,3mm
<b>SECTION ALIMENTATION</b>	DC 12V --- 2A ⊖ ⊕
<b>DMENSIONS (H x L x P)</b>	9,1 x 8,8 x 13,6 Pouces / 23,1 x 22,4 x 34,5 Centimètres
<b>POIDS</b>	7,9 lbs / 3,6 kgs

Les spécifications sont typiques, les appareils individuels peuvent varier. Ils sont sujets à des améliorations continues sans avis préalable et sans faire encourir aucune obligation.

## **GLOSSAIRE DES TERMES DU KARAOKE SINGING MACHINE**

En plus de la terminologie associée avec les appareils électroniques de consommation, des termes supplémentaires sont utilisés presque exclusivement pour le karaoké. Ces termes servent à vous familiariser avec l'univers du Karaoké. Les caractéristiques énumérées ci-dessous, ne s'appliquent **peut - être pas** nécessairement au modèle particulier du Singing Machine que vous avez. Voici une brève explication des termes Karaoké:

### **Écho:**

L'écho ajoute de la profondeur et de la résonance à la voix du chanteur sans toutefois modifier la musique. Cet écho est produit en créant une répétition mineure et contrôlée dans la voix du chanteur.

### **Multiplex:**

Nos enregistrements multiplex contiennent 2 copies de la même chanson. Une version est l'enregistrement en stéréophonie de la chanson sans la voix du chanteur leader. La seconde version est enregistrée avec la musique et le chœur sur le canal de gauche et la voix du chanteur leader enregistrée sur le canal de droite. Cet enregistrement à 'pistes divisées' vous permet de contrôler le volume de la voix du chanteur leader en réglant le bouton de la balance. Vous pouvez chanter en duo avec le chanteur leader ou utiliser la voix du chanteur leader comme guide pour apprendre la chanson et en la faiblissant progressivement avec le réglage de la balance vous serez capable de chanter la chanson tout seul.

### **Contrôle automatique de la voix (A.V.C.):**

Lorsque la fonction AVC est activée, le chant d'un enregistrement multiplex s'arrête dès que le chanteur commence à chanter au microphone. Quand le chanteur arrête de chanter, le chant d'un enregistrement multiplex se réactive automatiquement. Cette fonction est utile surtout pendant l'apprentissage d'une nouvelle chanson. Veuillez noter que la fonction AVC marche seulement avec l'enregistrement multiplex et ne marche pas avec les enregistrements sonores ordinaires.

### **Régulateur du ton:**

Le régulateur du ton change le ton de la musique du CD/CDG (en appuyant + ou -) pour l'adapter à la voix du chanteur.

### **CDG:**

C'est un acronyme pour *Compact Disc plus Graphics* (disque compact et graphiques). Vous allez aussi voir les variantes CD+G et CD+Graphiques. C'est un CD audio régulier avec information emmagasinée sur une piste de données, simultanément à la musique. En termes simples, un CDG a une sortie vidéo pour simples graphiques (il ne s'agit pas d'un vidéo à mouvements complets). Dans le cas du Karaoké, la fonction graphique est utilisée pour emmagasiner les paroles des chansons et pour afficher les paroles en harmonie avec la musique. Dans la plupart des cas, le logiciel CDG affiche les paroles avec un changement de couleur lorsqu'elles doivent être chantées. Vous n'avez besoin que d'un téléviseur ordinaire pour afficher les paroles d'un CDG.

**REMARQUE** - CDG est un type particulier de système de codification de disque compact qui est différent du VCD et du DVD. Votre Singing Machine peut décoder les disques audio compacts ordinaires et les disques CDG. Il ne lira pas les disques codifiés VCD ou DVD.

Les disques audio ordinaires et les cassettes n'afficheront pas les paroles sur votre écran de téléviseur. Les CD audio n'ont pas le logiciel nécessaire pour afficher les paroles.





The Singing Machine Company, Inc.

559-1106-ENG-SPA-FRE01

280 Machlin Court  
City of Industry, CA 91789 USA

PRINTED IN CHINA  
IMPRESO EN CHINA  
IMPRIMÉ EN CHINE

**VISIT OUR WEBSITE [www.singingmachine.com](http://www.singingmachine.com)**  
**VISITE NUESTRO SITIO INTERNET [www.singingmachine.com](http://www.singingmachine.com)**  
**VISITE NOTRE SITE INTERNET [www.singingmachine.com](http://www.singingmachine.com)**



## Free Manuals Download Website

<http://myh66.com>

<http://usermanuals.us>

<http://www.somanuals.com>

<http://www.4manuals.cc>

<http://www.manual-lib.com>

<http://www.404manual.com>

<http://www.luxmanual.com>

<http://aubethermostatmanual.com>

Golf course search by state

<http://golfingnear.com>

Email search by domain

<http://emailbydomain.com>

Auto manuals search

<http://auto.somanuals.com>

TV manuals search

<http://tv.somanuals.com>