



XO-1MTD & XO-1MTDP

Tabletop Ovens

TOASTMASTER'S XO-1MTD

Tabletop ovens are designed to hold up to either five 13" x 18" half size sheet pans or five 12" x 20" x 2-1/2" food service pans. With exclusive circulating air and heat, they are excellent for baking and reheating all types of food products. There is never a need to turn the pans. Since the XO-1MTD's don't require venting in most areas, they can be located throughout the store.

With a variety of options, the XO-1MTD can be the ideal oven for a wide variety of applications.

STANDARD FEATURES:

- Stainless steel construction
- 4" adjustable legs
- Silicone rubber gasket
- Slam Cam handle
- Full view, dual pane tempered glass door
- Cool to touch door
- Two speed fan

XO-1MTDP Features:

- Stores up to 200 different recipes
- The ability to rename the recipes
- Multi-shelf timers allows the baking of up to five (5) different products at one time
- Built- in cooking compensation
- Built- in diagnostic

OPTIONS:

- Internal Steam
- Cart with Panslides (98-9890-PS)
- Cart without Panslides (98-9890-NP)
- Stand with Panslides (98-9970-PS)
- Stand without Panslides (98-9970-NP)
- Stacking Kit (XO-1MP Stack-Kit)

Note: Units cannot be stacked when using cart or stand.



Shown with Optional Programmable Controls - Model XO-1MTDP

CONSTRUCTION:

- Welded stainless steel
- Fully insulated
- Control panel accessible through front of unit
- Heating elements accessible inside of cabinet and through side

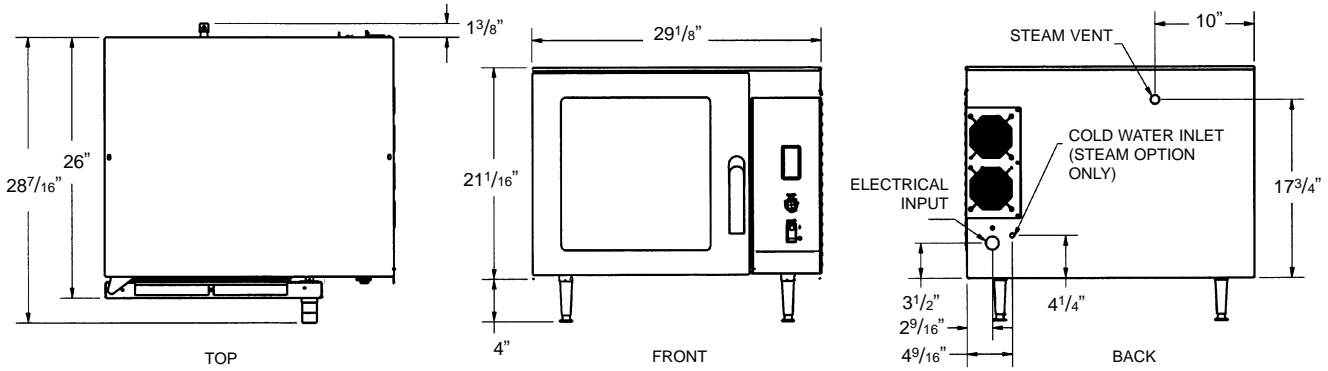
CONTROLS:

- XO-1MTDP Touchscreen Programmable controls
- XO-1MTD Manual controls

LABORATORY CERTIFICATION AND APPROVAL



XO-1MTD & XO-1MTDP Tabletop Ovens



DIMENSIONS:

	Height	Width	Depth
Exterior	25-1/16"	29-1/8"	29-13/16"
Interior	16-3/4"	15-3/4"	22-3/4"

CAPACITY:

	13"x18" Sheet Pans	12"x20"x2" Food Sheet Pans
2-7/8" Spacing	5	5
3-5/8" Spacing	4	4

ELECTRICAL: Watts: 4000

Amp Draw	208/1	208/3	240/1	240/3
L1	21	n/a	19	n/a



DOOR SWING: • Oven: 21-3/16"

INSTALLATION:

- Allow four inches on each side and back of unit.

SERVICE CONNECTIONS:

- Unit is shipped from factory to be hard wired on site.
- 208 or 240 Volt in single phase is standard. It is not available in three phase.

WATER:

- A 1/4" waterline is required. A water conditioning system should be in use to minimize mineral build-up.

PACKING SIZE:

- 28" High, 36" Wide, 36" Deep (711 mm High, 914 mm Wide, 914 mm Deep)

SHIPPING WEIGHT:

- 180 Pounds, FOB Menominee, MI 49858

***Intended for commercial use only.
Not intended for household use.***

INTENDED FOR COMMERCIAL USE ONLY. NOT FOR HOUSEHOLD USE.



Toastmaster, in line with its policy to continually improve its product, reserves the right to change materials or specifications without notice. Such revisions do not entitle the buyer to corresponding changes, improvements, additions, or replacements for previously purchased equipment.



Toastmaster® 5600 13th Street, Menominee, MI 49858 • www.toastmastercorp.com

Toll Free: 1-800-338-9886 • Telephone: 1-906-863-4401 • Fax: 1-906-863-5889

Download from www.Somanuals.com. All Manuals Search And Download.

Free Manuals Download Website

<http://myh66.com>

<http://usermanuals.us>

<http://www.somanuals.com>

<http://www.4manuals.cc>

<http://www.manual-lib.com>

<http://www.404manual.com>

<http://www.luxmanual.com>

<http://aubethermostatmanual.com>

Golf course search by state

<http://golfingnear.com>

Email search by domain

<http://emailbydomain.com>

Auto manuals search

<http://auto.somanuals.com>

TV manuals search

<http://tv.somanuals.com>