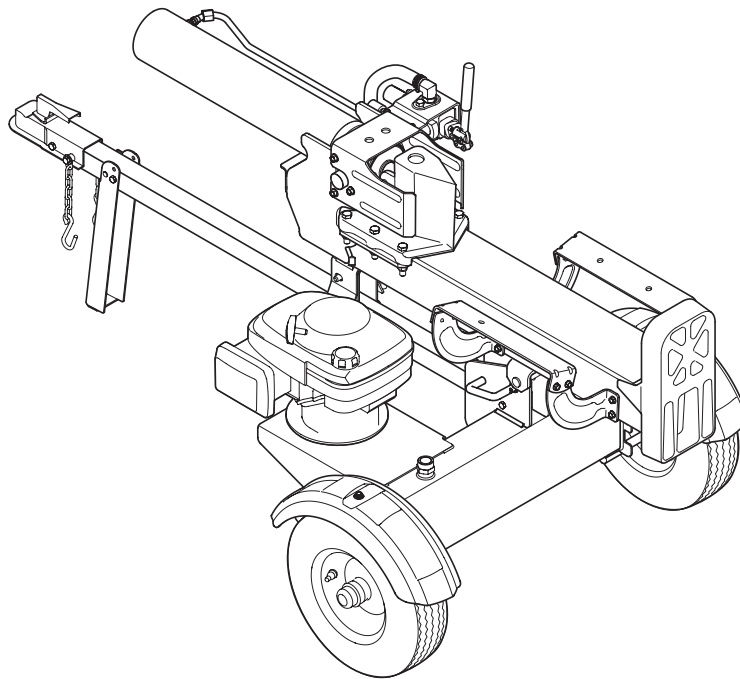




OPERATOR'S MANUAL



LS 27 TB — Log Splitter

⚠ WARNING

**READ AND FOLLOW ALL SAFETY RULES AND INSTRUCTIONS IN THIS MANUAL
BEFORE ATTEMPTING TO OPERATE THIS MACHINE.
FAILURE TO COMPLY WITH THESE INSTRUCTIONS MAY RESULT IN PERSONAL INJURY.**

TROY-BILT LLC, P.O. BOX 361131 CLEVELAND, OHIO 44136-0019

Thank You

Thank you for purchasing a Troy-Bilt Log Splitter. It was carefully engineered to provide excellent performance when properly operated and maintained.

Please read this entire manual prior to operating the equipment. It instructs you how to safely and easily set up, operate and maintain your machine. Please be sure that you, and any other persons who will operate the machine, carefully follow the recommended safety practices at all times. Failure to do so could result in personal injury or property damage.

All information in this manual is relative to the most recent product information available at the time of printing. Review this manual frequently to familiarize yourself with the machine, its features and operation. Please be aware that this Operator's Manual may cover a range of product specifications for various models. Characteristics and features discussed and/or illustrated in this manual may not be applicable to all models. We reserve the right to change product specifications, designs and equipment without notice and without incurring obligation.

If applicable, the power testing information used to establish the power rating of the engine equipped on this machine can be found at www.opei.org or the engine manufacturer's web site.

If you have any problems or questions concerning the machine, phone a authorized Troy-Bilt service dealer or contact us directly. Troy-Bilt's Customer Support telephone numbers, website address and mailing address can be found on this page. We want to ensure your complete satisfaction at all times.

Throughout this manual, all references to *right* and *left* side of the machine are observed from the operating position

The engine manufacturer is responsible for all engine-related issues with regards to performance, power-rating, specifications, warranty and service. Please refer to the engine manufacturer's Owner's/Operator's Manual, packed separately with your machine, for more information.

Table of Contents

Safe Operation Practices	3	Service	17
Assembly & Set-Up	7	Troubleshooting	18
Controls & Features	11	Replacement Parts	20
Operation	12	Warranty	24
Maintenance & Adjustment	15		

Record Product Information

Before setting up and operating your new equipment, please locate the model plate on the equipment and record the information in the provided area to the right. You can locate the model plate by looking at the side flange of the engine mounting plate. This information will be necessary, should you seek technical support via our web site, Customer Support Department, or with a local authorized service dealer.

MODEL NUMBER

--	--	--	--	--	--	--	--	--	--	--	--

SERIAL NUMBER

--	--	--	--	--	--	--	--	--	--	--	--

Customer Support

Please do NOT return the machine to the retailer or dealer without first contacting the Customer Support Department.

If you have difficulty assembling this product or have any questions regarding the controls, operation, or maintenance of this machine, you can seek help from the experts. Choose from the options below:

◇ Visit us on the web at www.troybilt.com



See How-to Maintenance and Parts Installation Videos at www.troybilt.com/tutorials

◇ Call a Customer Support Representative at (800) 828-5500 or (330) 558-7220

◇ Write to Troy-Bilt LLC • P.O. Box 361131 • Cleveland, OH • 44136-0019



WARNING! This symbol points out important safety instructions which, if not followed, could endanger the personal safety and/or property of yourself and others. Read and follow all instructions in this manual before attempting to operate this machine. Failure to comply with these instructions may result in personal injury.

When you see this symbol. **HEED ITS WARNING!**

CALIFORNIA PROPOSITION 65



WARNING! Engine Exhaust, some of its constituents, and certain vehicle components contain or emit chemicals known to State of California to cause cancer and birth defects or other reproductive harm.



DANGER! This machine was built to be operated according to the safe operation practices in this manual. As with any type of power equipment, carelessness or error on the part of the operator can result in serious injury. This machine is capable of amputating hands and feet and throwing debris. Failure to observe the following safety instructions could result in serious injury or death.

Training

1. Read, understand, and follow all instructions on the machine and in the manual(s) before attempting to assemble and operate. Keep this manual in a safe place for future and regular reference and for ordering replacement parts.
2. Be familiar with all controls and their proper operation. Know how to stop the machine and disengage them quickly.
3. Never allow children under 16 years of age to operate this machine. Children 16 and over should read and understand the instructions and safe operation practices in this manual and on the machine and be trained and supervised by an adult.
4. Never allow adults to operate this machine without proper instruction.
5. Many accidents occur when more than one person operates the machine. If a helper is assisting in stacking logs, never activate the control until the helper is a minimum of 10 feet from the machine.
6. Keep bystanders, pets, and children at least 10 feet from the machine while it is in operation.
7. Never allow anyone to ride on this machine.
8. Never transport cargo on this machine.
9. Hydraulic log splitters develop high fluid pressures during operation. Fluid escaping through a pin hole opening can penetrate your skin and cause blood poisoning, gangrene, or death. Give attention to the following instructions at all times:
 - a. Do not check for leaks with your hand.
 - b. Do not operate machine with frayed, kinked, cracked, or damaged hoses, fittings, or tubing.
 - c. Stop the engine and relieve hydraulic system pressure by cycling the valve control lever from forward to reverse several times while engine is not running; returning to neutral before repairing or adjusting fittings, hoses, tubing, or other system components.
 - d. Do not adjust the pressure settings of the pump or valve.
10. Leaks can be detected by passing cardboard or wood, while wearing protective gloves and safety glasses, over the suspected area. Look for discoloration of cardboard or wood.
11. If injured by escaping fluid, see a doctor immediately. Serious infection or reaction can develop if proper medical treatment is not administered immediately.
12. Keep the operator zone and adjacent area clear for safe, secure footing.

13. If your machine is equipped with an internal combustion engine and is intended for use near any unimproved forest, brush, or grass covered land, the engine exhaust should be equipped with a spark arrestor. Make sure you comply with applicable local, state, and federal codes. Take appropriate firefighting equipment with you.
14. This machine should be used for splitting wood only, do not use it for any other purpose.
15. Follow the instructions in the manual(s) provided with any attachment(s) for this machine.

Preparation

1. Always wear safety shoes or heavy boots.
2. Always wear safety glasses or safety goggles when operating this machine.
3. Never wear jewelry or loose clothing that might become entangled in moving or rotating parts of the machine.
4. Make sure machine is on a flat, dry, solid ground before operating.
5. Always block wheels to prevent unintended movement, and lock beam in either the horizontal or vertical position.
6. Always operate this machine from the operator zone(s) specified in the manual. See Fig. 2-1.

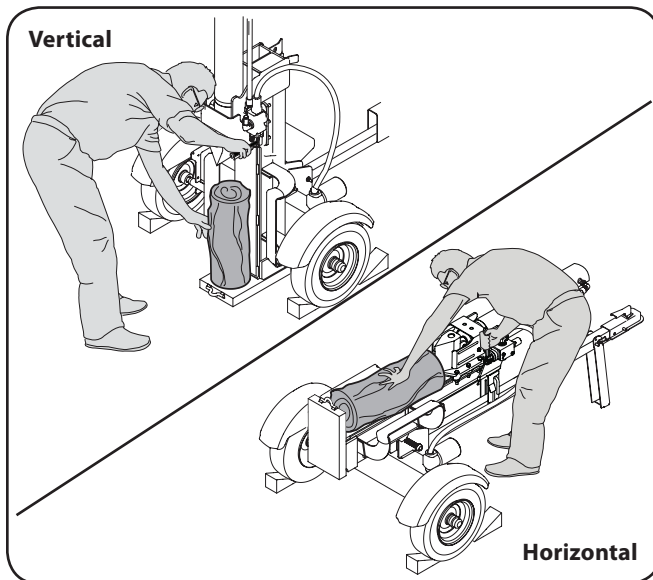


Figure 2-1

7. Logs should be cut with square ends prior to splitting.
8. Use log splitter in daylight or under good artificial light.

Safe Handling of Gasoline

To avoid personal injury or property damage use extreme care in handling gasoline. Gasoline is extremely flammable and the vapors are explosive. Serious personal injury can occur when gasoline is spilled on yourself or your clothes which can ignite. Wash your skin and change clothes immediately.

- a. Use only an approved gasoline container.
- b. Extinguish all cigarettes, cigars, pipes, and other sources of ignition.

- c. Never fuel machine indoors.
- d. Never remove gas cap or add fuel while the engine is hot or running.
- e. Allow engine to cool at least two minutes before refueling.
- f. Never overfill the fuel tank. Fill tank to no more than 1/2 inch below bottom of filler neck to provide space for fuel expansion.
- g. Replace gasoline cap and tighten securely.
- h. If gasoline is spilled, wipe it off the engine and equipment and move machine to another area. Wait five (5) minutes before starting the engine.
- i. Never store the machine or fuel container inside where there is an open flame, spark or pilot light as on a water heater, space heater, furnace, clothes dryer or other gas appliances.
- j. Allow machine to cool at least five (5) minutes before storing.

Operation

1. Before starting this machine, review the "Safe Operation Practices". Failure to follow these rules may result in serious injury to the operator or bystanders.
2. Never leave this machine unattended with the engine running.
3. Do not operate machine while under the influence of alcohol, drugs, or medication.
4. Never allow anyone to operate this machine without proper instruction.
5. Always operate this machine with all safety equipment in place and working. Make sure all controls are operating properly for safe operation.
6. Operator Zone
 - a. Horizontal Operating Position: Stand on the control lever side of the log splitter and stabilize log as shown, if needed. See Fig. 2-1.
 - b. Vertical Operating Position: Stand in front of the log splitter and stabilize log as shown, if needed. See Fig. 2-1.



WARNING! When stabilizing log with left hand, remove your hand when the wedge just contacts the log or serious injury may occur.

7. When loading a log, always place your hands on the side of the log, not on the ends, and never use your foot to help stabilize a log. Failure to do so, may result in crushed or amputated fingers, toes, hand, or foot.
8. Use only your right hand to operate the controls.
9. Never attempt to split more than one log at a time.
10. For logs which are not cut square, the least square end of the log should be placed toward the beam and wedge, and the square end placed toward the end plate.

11. When splitting in the vertical position, stabilize the log before moving the control handle. Split as follows:
 - a. Place log on the end plate and turn until it leans against the beam and is stable.
 - b. When splitting extra large or uneven logs, the log must be stabilized with wooden shims or split wood placed between the log and end plate or ground.
12. Always keep fingers away from any cracks that open in the log while splitting. They can quickly close and pinch or amputate your fingers.
13. Keep your work area clean. Immediately remove split wood around the machine so you do not stumble over it.
14. Do not change the engine governor settings or overspeed the engine. The governor controls the maximum safe operating speed of the engine.
15. Never move this machine while the engine is running.
16. This machine should not be towed on any street, highway or public road without checking the existing federal, state, or local vehicle requirements. Any licensing or modifications such as taillights, etc., needed to comply, is the sole responsibility of the purchaser. If a "Statement of Origin" is required in your state, see your local dealer.
17. Do not tow machine over 45 mph.
18. See Transporting the Log Splitter section in this manual for proper towing instructions once all federal, local, or state requirements are met.
9. Do not alter this machine in any manner, alterations such as attaching a rope or extension to the control handle, or adding to the width or height of the wedge may result in personal injury.
10. According to the Consumer Products Safety Commission (CPSC) and the U.S. Environmental Protection Agency (EPA), this product has an *Average Useful Life* of seven (7) years, or 130 hours of operation. At the end of the *Average Useful Life* have the machine inspected annually by an authorized service dealer to ensure that all mechanical and safety systems are working properly and not worn excessively. Failure to do so can result in accidents, injuries or death.

Spark Arrestor



WARNING! This machine is equipped with an internal combustion engine and should not be used on or near any unimproved forest-covered, brush covered or grass-covered land unless the engine's exhaust system is equipped with a spark arrestor meeting applicable local or state laws (if any).



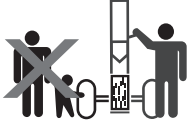


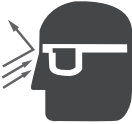




If a spark arrestor is used, it should be maintained in effective working order by the operator. In the State of California the above is required by law (Section 4442 of the California Public Resources Code). Other states may have similar laws. Federal laws apply on federal lands. A spark arrestor for the muffler is available through your nearest engine authorized service dealer or contact the service department, P.O. Box 361131 Cleveland, Ohio 44136-0019.

Maintenance and Storage

1. Stop the engine, disconnect the spark plug and ground it against the engine before cleaning, or inspecting the machine.
2. Stop the engine and relieve hydraulic system pressure by cycling the valve control lever from forward to reverse several times while engine is not running; returning to neutral before repairing or adjusting fittings, hoses, tubing, or other system components.
3. To prevent fires, clean debris and chaff from the engine and muffler areas. If the engine is equipped with a spark arrestor muffler, clean and inspect it regularly according to manufacturers instructions. Replace if damaged.
4. Periodically check that all nuts and bolts, hose clamps, and hydraulic fittings are tight to be sure equipment is in safe working condition.
5. Check all safety guards and shields to be sure they are in the proper position. Never operate with safety guards, shields, or other protective features removed.
6. The pressure relief valve is preset at the factory. Do not adjust the valve.
7. Never attempt to move this machine over hilly or uneven terrain without a tow vehicle or adequate help.
8. For your safety, replace all damaged or worn parts immediately with original equipment manufacturer's (O.E.M.) parts only. Use of parts which do not meet the original equipment specifications may lead to improper performance and compromise safety!

Safety Symbols

This page depicts and describes safety symbols that may appear on this product. Read, understand, and follow all instructions on the machine before attempting to assemble and operate.

Symbol	Description
	READ THE OPERATOR'S MANUAL(S) Read, understand, and follow all instructions in the manual(s) before attempting to assemble and operate.
	WARNING— CRUSHING HAZARD Keep hands away from wedge, end plate, partially split wood and moving parts.
	BYSTANDERS Keep bystanders, helpers and children at least 10 feet away.
	SINGLE OPERATOR Only one person should operate the machine at a time. The adult who loads and stabilizes the log must be the person who operates control handle.
	WARNING— PRESSURIZED FLUID Never check for hose leaks with your hands. High pressure fluid can escape through a pin hole leak and cause serious injury by puncturing the skin and causing blood poisoning.
	EYE PROTECTION Always wear safety glasses or safety goggles when operating this machine.
	WARNING— MOVING WEDGE Keep hands away from wedge and moving parts.
	WARNING— GASOLINE IS FLAMMABLE Allow the engine to cool at least two minutes before refueling.
	WARNING— CARBON MONOXIDE Never run an engine indoors or in a poorly ventilated area. Engine exhaust contains carbon monoxide, an odorless and deadly gas.
	WARNING— HOT SURFACE Engine parts, especially the muffler, become extremely hot during operation. Allow engine and muffler to cool before touching.



WARNING! Your Responsibility—Restrict the use of this power machine to persons who read, understand and follow the warnings and instructions in this manual and on the machine.

SAVE THESE INSTRUCTIONS!

Contents of Carton

- One Log Splitter
- One Tongue Assembly
- One Operator's Manual
- One Engine Operator's Manual

NOTE: This Operator's Manual covers several models. Log splitter features may vary by model. Not all features in this manual are applicable to all log splitter models and the log splitter depicted may differ from yours.



WARNING! Use extreme caution unpacking this machine. Some components are very heavy and will require additional people or mechanical handling equipment.

NOTE: All references in this manual to the left or right side and front or back of the log splitter are from the operating position only. Exceptions, if any, will be specified.

Unpacking & Assembling the Log Splitter

TOOLS NEEDED: Safety glasses, leather gloves, wire cutters, pry bar, adjustable and/or socket wrench set and/or claw hammer.

1. Use a pry bar or claw hammer to loosen and remove the top of the crate.
2. Use a pry bar or claw hammer to remove the sides of the crate, beginning with the short sides (or left and right side of the log splitter). Set the sides of the crate aside to avoid injury.
3. On the front side of the crate the tongue assembly is attached on the inside of the crate with a cable tie. Cut the cable tie to remove the tongue.
4. Remove the large plastic cover and discard.



WARNING! Do NOT remove any wood or cut any straps securing the log splitter or its components to the log splitter or the crate at this time. Only remove straps and/or wood when instructed to do so.

5. Inspect the bottom of the crate for any protruding staples or wood splinters and remove.
6. Remove any loose parts included with the log splitter (i.e. operator's manual, etc.).

7. Remove the spring clip and clevis pin from the jack stand on the tongue and then pivot the jack stand towards the ground into the operating position. See Figure 3-1.

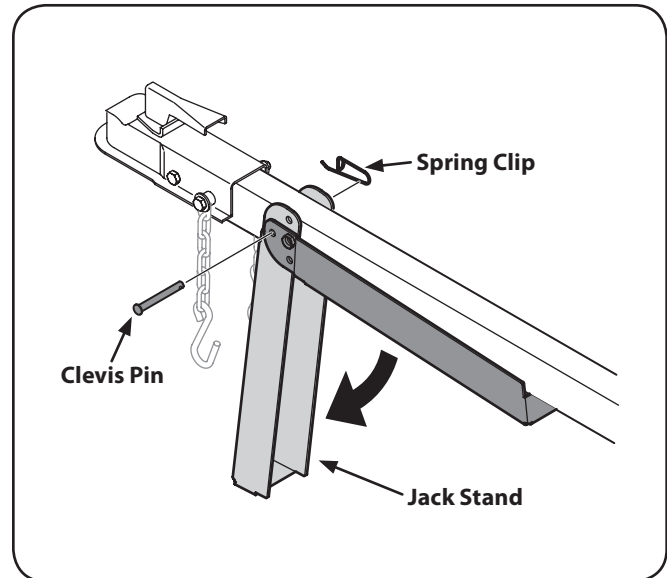


Figure 3-1

8. Secure the jack stand in position with the clevis pin and spring clip. See Figure 3-1.
9. With the log splitter still secured to the bottom of the crate, remove two hex bolts and hex nuts from the tank bracket and remove the piece of wood inside the tank brackets. See Figure 3-2.

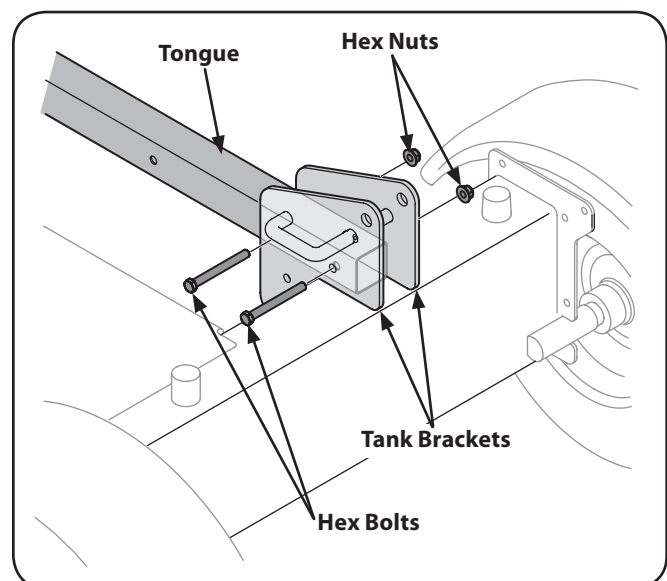


Figure 3-2

- Align the holes in the tongue with the holes in the tank bracket and secure with the hardware just removed. See Figure 3-2.

NOTE: The high pressure hose, which runs from the gear pump to the bottom of the control valve, must be above the tongue assembly.

- The log splitter is shipped with the beam in a vertical position. Remove any bolts or straps securing the end plate to the bottom of the crate.
- Pull out the vertical beam lock, rotate it back, and pivot the beam to the horizontal position until it locks being sure to avoid any possible pinch points. See Figure 3-3.

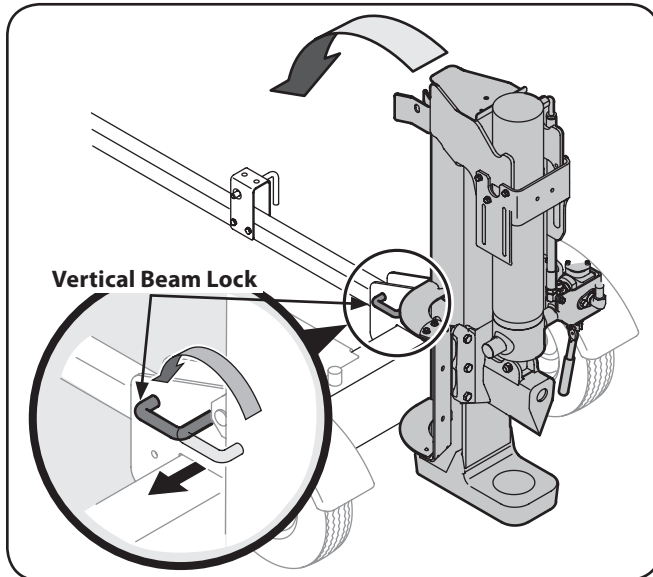


Figure 3-3



WARNING! Take extra care when raising and lowering the beam as it is fairly heavy. Having a second person assist with raising or lowering the beam is recommended. Be sure to keep hands away from any possible pinch points.

- Remove the wood between the wedge and the end plate by cutting the cable tie that secures it. Cut the strap near the hose on the front of the cylinder that secures it to the beam weld bracket. Be careful not to damage the hose.

- Disconnect the dislodger from the beam weld bracket by removing the six hex screws. See Figure 3-4.

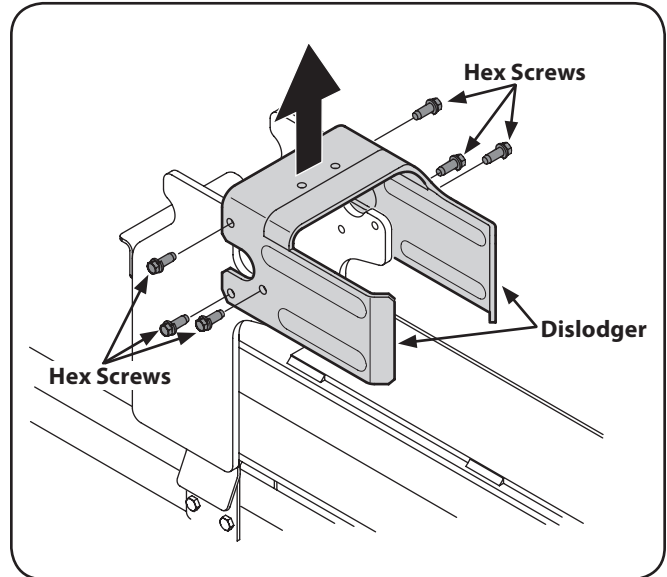


Figure 3-4

- Disconnect the log tray from the beam on the side of the control valve by removing the two hex washer screws that secure it to the beam and the two hex washer screws in the beam. See Figure 3-5.

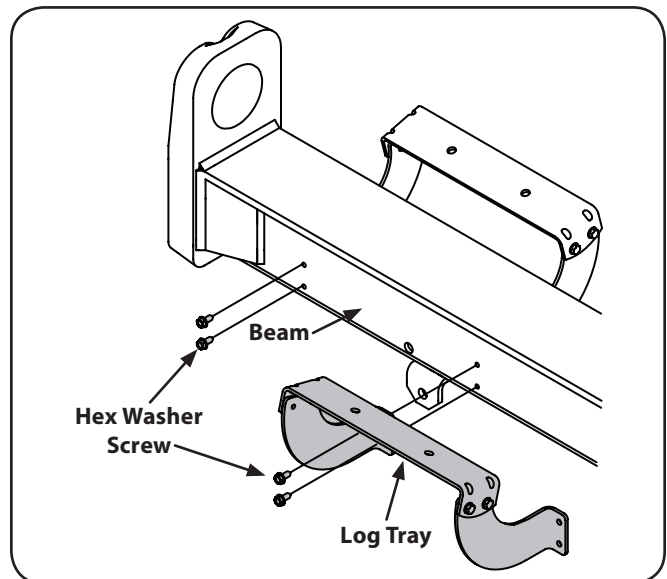


Figure 3-5

- Lift and slide the cylinder up to the top of beam and into the weld brackets. See Figure 3-6.

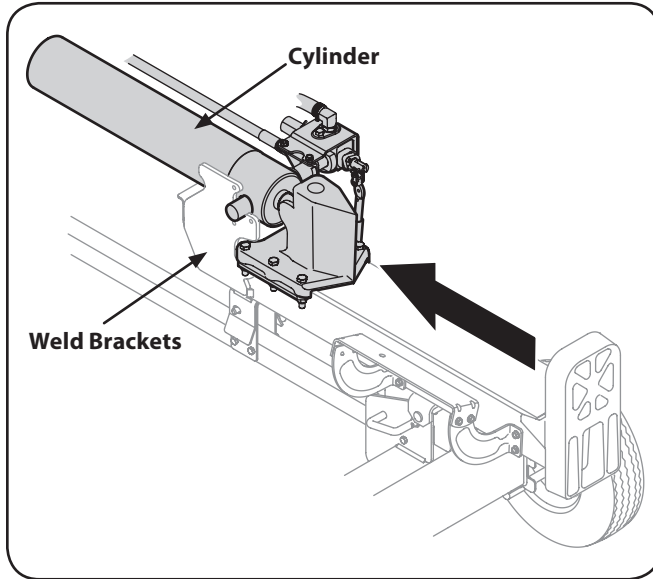


Figure 3-6

- Attach the dislodger over the wedge assembly and secure it to the weld brackets with the previously removed hardware. See Figure 3-4.

NOTE: Lift up on the cylinder when installing the hex screws.

NOTE: Once the six hex screws are tightened, there may be a slight gap between the dislodger and the weld brackets. This gap is normal.

- Reattach the log tray to the side of the beam with the control valve, aligning the holes in the tray with the holes in the beam. See Figure 3-7.

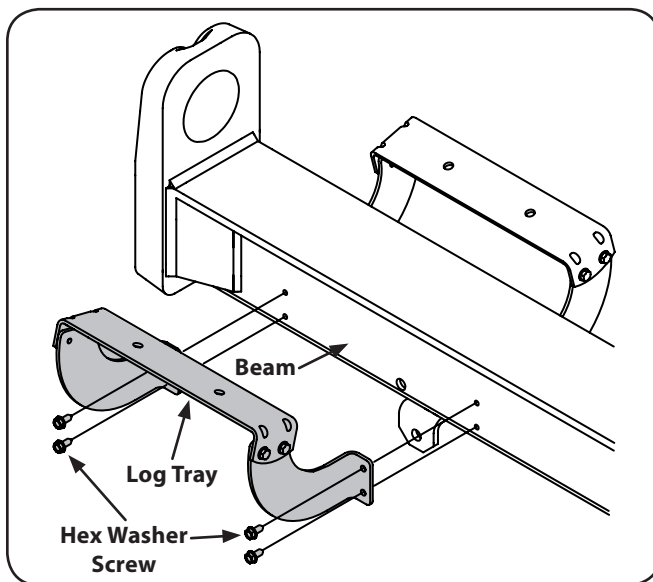


Figure 3-7

- Check for and remove any staples on the bottom of the crate that may puncture the tire.

- Cut the metal strap securing the log splitter to the bottom of the crate and remove the wood under the engine and/or any other wood, then roll the log splitter off the bottom of the shipping crate.
- The control handle is shipped hanging from the valve on the handle link.
- Remove the clevis pin and bow-tie cotter pin from the control handle. See Figure 3-8.

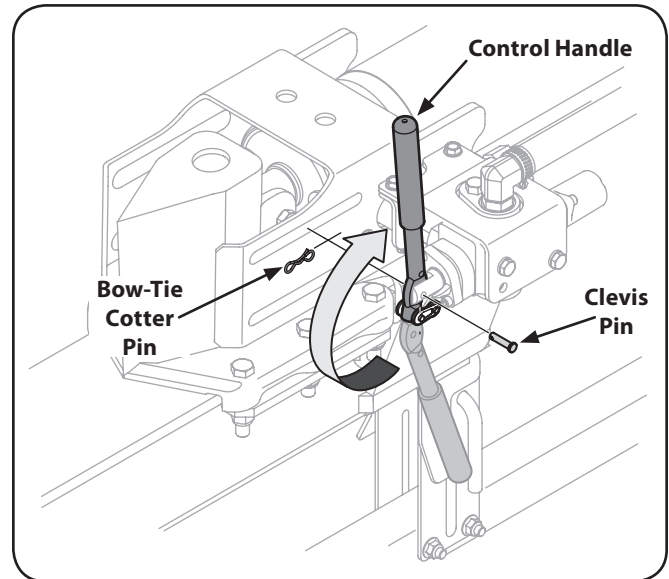


Figure 3-8

- Rotate the control handle into the operating position and secure with the clevis pin and bow-tie cotter pin removed in step 1. See Figure 3-8.

Set-Up

Gas and Oil Fill-Up

Service the engine with gasoline and oil as instructed in the engine manual packed with your log splitter. Read the instructions carefully.



WARNING! Use extreme care when handling gasoline. Gasoline is extremely flammable and the vapors are explosive. Never fuel the machine indoors or while the engine is hot or running.

NOTE: Your log splitter may be shipped with motor oil in the engine. You **MUST** check the oil level before operating. Be careful not to overfill. Gasoline can be added to the engine when the log splitter is in either the horizontal or vertical position. However, it may be easier when the splitter is in the vertical position.

Tire Pressure

The max recommended operating pressure is 30 psi. Under any circumstances do not exceed the manufacturer's recommended psi. Maintain equal pressure on all tires.



WARNING! Excessive pressure when seating beads may cause tire/rim assembly to burst with force sufficient to cause serious injury.

Preparing the Log Splitter

1. Lubricate the beam area (where the splitting wedge will slide) with engine oil. Do not use grease.
2. Remove the vented reservoir dipstick, which is located in front of the engine on top of the reservoir tank. See Figure 3-9.

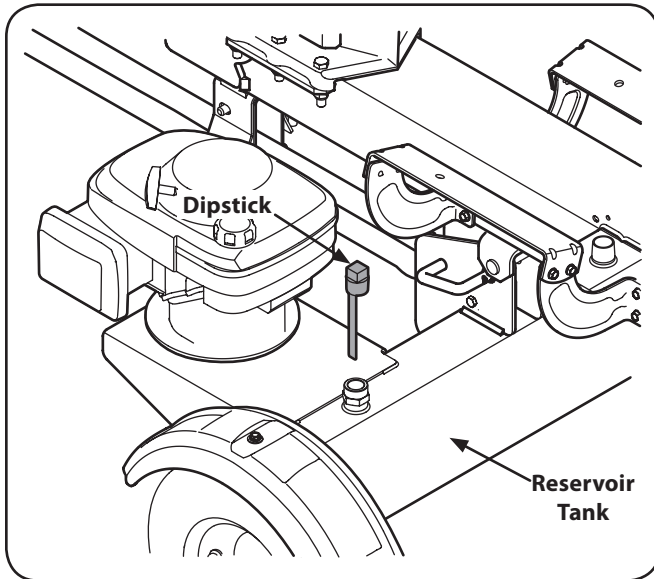


Figure 3-9

NOTE: The log splitter is filled to the proper operating level from the manufacturer with Shell Tellus® S2 M 32 Hydraulic Fluid. However, you **MUST** check the fluid level before operating. If not filled, proceed with the following steps:



WARNING! Much of the original fluid has been drawn into the cylinder and hoses. Make certain to refill the reservoir to prevent damage to the hydraulic pump.

3. Check the fluid level using the dipstick. See Figure 3-9. Do not overfill.
- NOTE:** Approved fluids include Shell Tellus® S2 M 32 Hydraulic Fluid, Dexron® III/Mercon® automatic transmission fluid, Pro-Select™ AW-32 Hydraulic Oil or 10WAW-ISO viscosity grade 32 hydraulic oil. It is not recommended that fluids be mixed, to top off the reservoir tank during initial set-up use Shell Tellus® S2 M 32 Hydraulic Fluid only.
4. Replace the vented dipstick securely, tightening it until the top of the threads are flush with top of the pipe.
5. Disconnect the spark plug and prime the pump by pulling the recoil starter as far as it will go. Repeat approximately 10 times.
6. Reconnect the spark plug wire and start the engine following instructions in the Engine Operator's manual.
7. Use the control handle to engage the wedge to the farthest extended position. Then retract the wedge.
8. Refill the tank as specified on the dipstick if necessary.
- NOTE:** Failure to refill the tank will void the splitter's warranty.
9. Extend and retract the wedge 12 complete cycles to remove any trapped air in the system (the system is "self-bleeding").
10. Refill the reservoir within the range marked on the dipstick if necessary.

NOTE: Some fluid may overflow from the vent plug as the system builds heat and the fluid expands and seeks a balanced level.

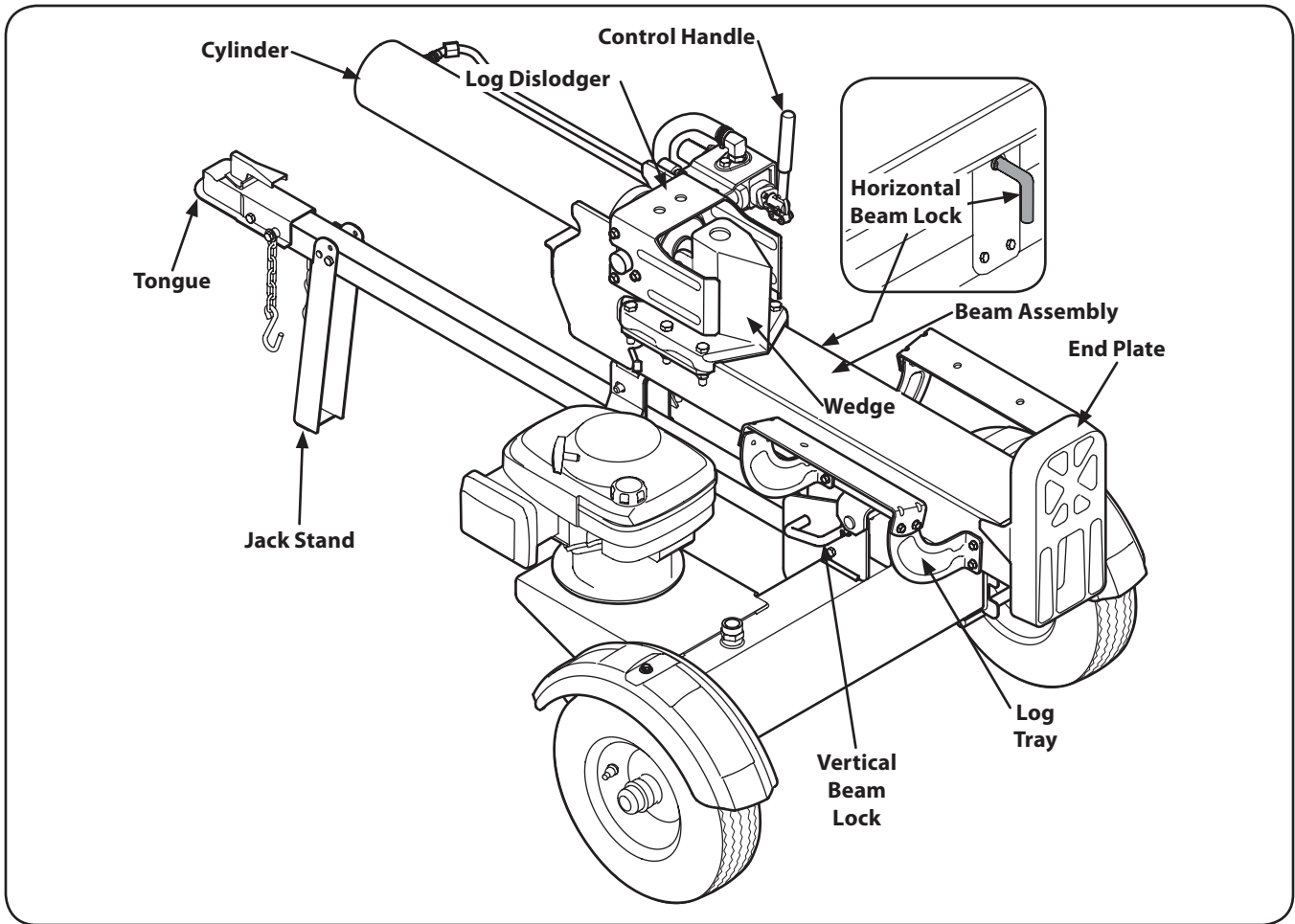


Figure 4-1

NOTE: This Operator's Manual covers several models. Log splitter features may vary by model. Not all features in this manual are applicable to all log splitter models and the log splitter depicted may differ from yours.

Engine Controls

See the Engine Operator's Manual for the location and function of the controls on the engine.

Beam Locks

These two locks, as their name suggests, are used to secure the beam in the horizontal or the vertical position. The vertical beam lock is located next to the engine. The horizontal beam lock is located on the beam support latch bracket.

Control Handle

The control handle has three positions; Forward, Neutral and Reverse. See the Operation section for instructions.

Wedge

The wedge is used to split the wood.

Log Dislodger

The log dislodger is designed to remove any partially split wood from the wedge. This may occur while splitting large diameter wood or freshly cut wood.

Log Tray

The log tray is designed to catch the log after it is split.

Tongue

The tongue is used to attach to a towing vehicle for transportation.

End Plate

The end plate holds the log in place while the wedge splits the log.

Starting & Stopping the Engine

Refer to the Engine Operator's manual packed with your log splitter for instructions on starting and stopping the engine.

Using the Log Splitter

Operating Positions

1. Place the log splitter on flat, dry, solid ground.
2. Block the front and back of both wheels. See Figure 5-1.

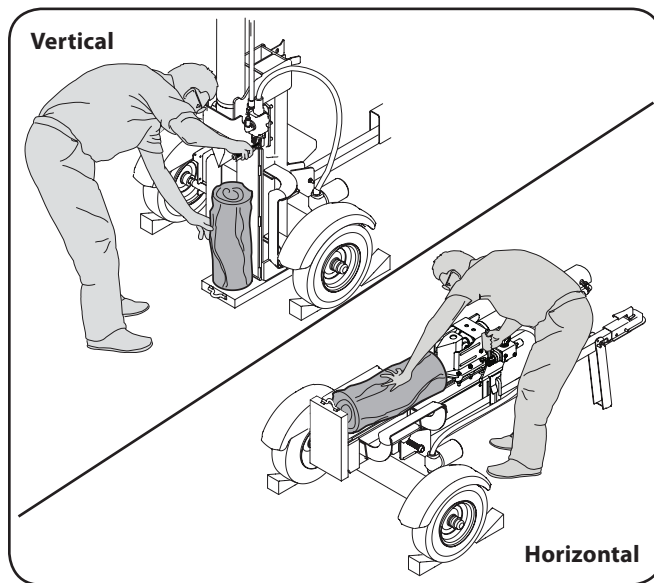


Figure 5-1

3. Place the beam in either the horizontal or vertical position and lock into place.



WARNING! Take extra care when raising and lowering the beam as it is fairly heavy. Having a second person assist with raising or lowering the beam is recommended. Be sure to keep hands away from any possible pinch points.

4. To place the beam in the vertical position proceed as follows:



WARNING! Always use the log splitter in the vertical position when splitting heavy logs.

- a. Pull the horizontal beam lock out to release the beam and pivot the beam to the vertical position.

- b. To lock the beam in the vertical position, pull out on the vertical beam lock and rotate it to secure the beam. See Figure 5-2.

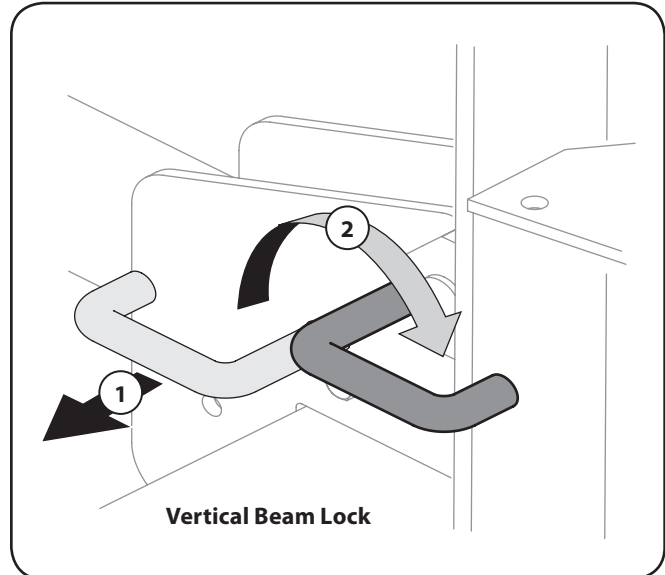


Figure 5-2

5. To place the beam in the horizontal position proceed as follows:
 - a. Pull the vertical beam lock out and rotate it down. Pivot the beam to the horizontal position.
 - b. The horizontal beam lock is self-locking. The spring loaded lock will snap into place when the beam is lowered into position. See Figure 5-3.

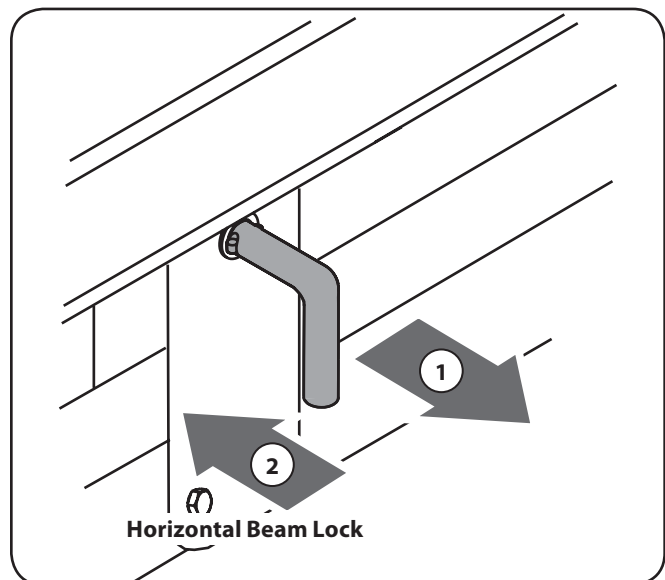


Figure 5-3

Using the Control Handle

The control handle has three positions. See Figure 5-4.

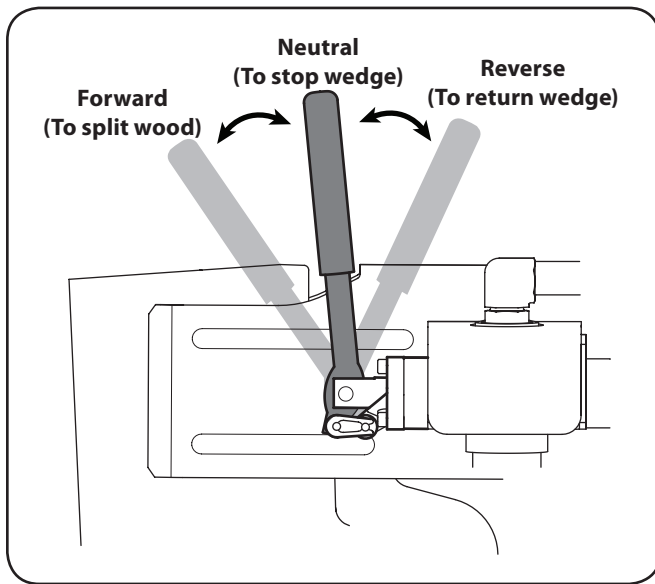


Figure 5-4

- **FORWARD** — Move the control handle to the FORWARD position to move wedge toward the log to split.
NOTE: The control handle will return to the NEUTRAL position as soon as the handle is released (FORWARD position only).
- **NEUTRAL** — Release the control handle or move the lever to the NEUTRAL position to stop the wedge movement.
- **REVERSE** — Move the control handle to the REVERSE position to return the wedge toward the cylinder. The control handle stays in the REVERSE position and returns to the NEUTRAL position automatically when fully retracted. Do not hold the handle in the REVERSE position when fully retracted.
NOTE: The REVERSE position may also be moved back to the NEUTRAL position manually, if necessary.



WARNING! If the control handle on your log splitter is not functioning properly, STOP USE IMMEDIATELY and contact an authorized service dealer.



WARNING! Do not attempt to service, repair or replace control valve. Contact an authorized service dealer.



WARNING! Do not attempt to adjust or modify the control valve or the hydraulic system from its original settings or manufacture in any way.

Splitting the Wood

1. Start the engine as instructed in the Engine Operator's manual included with the log splitter.
2. Place the log against the end plate and only split the wood in the direction of the grain.
3. To stabilize the log, place your left hand on the side of the log opposite the beam as shown in Figure 5-1.



WARNING! Never place a hand on the ends of the log, between the log and the end plate or the log and the splitting wedge.



WARNING! Only one operator permitted. The adult who loads and stabilizes the log, must be the person who operates the control handle.

4. Move the control handle to the forward position to split the wood.
5. Remove left hand from the side of the log once wedge just contacts the log. Continue moving control handle forward to split the log.
6. Release the control handle to stop the wedge movement.
7. Move the control handle to the reverse position to return the wedge.
8. To remove partially split wood from wedge, move the control handle to the REVERSE position until the wedge is fully retracted to allow split wood portion to contact the log dislodger.



WARNING! Never remove partially split wood from the wedge with your hands. Fingers may become trapped between the split wood.

9. Once removed from the wedge with the log dislodger, split the wood from the opposite end or in another location.

Transporting the Log Splitter



WARNING! Do not tow faster than 45mph and check the local, state and federal requirements before towing on any public road.

1. Lower the beam to its horizontal position. Make certain the beam is locked securely with the horizontal beam lock.
2. Remove the spring clip and clevis pin from the jack stand.
3. Support the tongue and pivot the jack stand up against the tongue. See Figure 5-5.

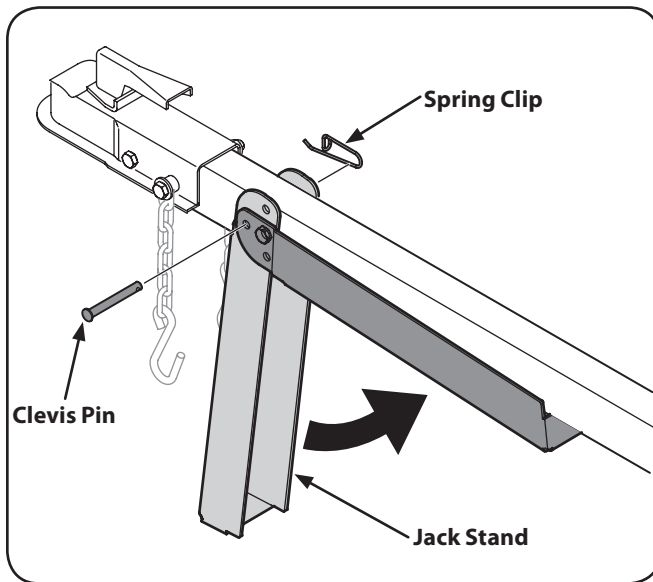


Figure 5-5

4. Secure with the spring clip and clevis pin previously removed. See Figure 5-5.
5. Attach the coupler hitch to a class I or higher 2" ball on the towing vehicle; latch securely.
 - a. If the coupler hitch does not fit on the ball, turn the adjustment nut one turn counter-clockwise.
 - b. If the coupler hitch is too loose on the ball, turn the adjustment nut one turn clockwise. Then recheck and adjust accordingly.
6. Connect the safety chains to the towing vehicle.

NOTE: Use caution when backing up, a spotter outside the vehicle is recommended.

Operating Tips

Always:

1. Use clean fluid and check the fluid level regularly.
2. Use an approved hydraulic fluid. Approved fluids include Shell Tellus® S2 M 32 Hydraulic Fluid, Dexron® III/Mercon® automatic transmission fluid, Pro-Select™ AW-32 Hydraulic Oil or 10WAW-ISO viscosity grade 32 hydraulic oil.
NOTE: It is recommended that fluids not be mixed.
3. Use a filter (clean or replace regularly).
4. Use a breather cap on fluid reservoir.
5. Make sure the pump is mounted and aligned properly.
6. Use a flexible "spider" type coupling between the engine and pump drive shafts.
7. Keep the hoses clear and unblocked.
8. Bleed the air out of the hoses before operating.
9. Flush and clean the hydraulic system before restarting after servicing.
10. Use "pipe dope" on all hydraulic fittings.
11. Allow time for the engine to warm up before splitting wood.
12. Prime the pump before the initial start-up by turning over the engine with the spark plug disconnected (if not already done at factory).
13. Split wood along the grain (lengthwise) only.

Never:

1. Use when fluid is below 20° F or above 150° F.
2. Use a solid engine/pump coupling.
3. Operate through relief valve for more than 5 seconds.
4. Attempt to adjust the unloading or relief valve settings.
5. Operate with air in hydraulic system.
6. Use teflon tape on hydraulic fittings.
7. Attempt to cut wood across the grain.
8. Attempt to remove partially split wood from the wedge with your hands. Fully retract the wedge to dislodge wood with log dislodger.



WARNING! Do not make any adjustments without stopping the engine, disconnecting the spark plug wire, grounding it against the engine and relieving the hydro system pressure. Always wear safety glasses during operation or while performing any adjustments or repairs.

Engine

Refer to the Engine Operator's Manual packed with your log splitter for all engine maintenance.

Tire Pressure

The max recommended operating pressure is 30 psi. Do not, under any circumstances, exceed the manufacturer's recommended psi. Maintain equal pressure on all tires.



WARNING! Excessive pressure when seating beads may cause the tire/rim assembly to burst with force sufficient to cause serious injury. Refer to the sidewall of the tire for recommended pressure.

Hydraulic Fluid

Check the hydraulic fluid level in the log splitter reservoir tank before each use. Maintain the fluid level within the range specified on the dipstick at all times.

Change the hydraulic fluid in the reservoir every 100 hours of operation. The filter should also be changed with each hydraulic fluid change. Follow the steps below:

1. Place a suitable oil collection container under the tank.
2. If your engine has a horizontal engine set-up shown in Figure 6-1, refer to Figure 6-1 for changing the hydraulic fluid.

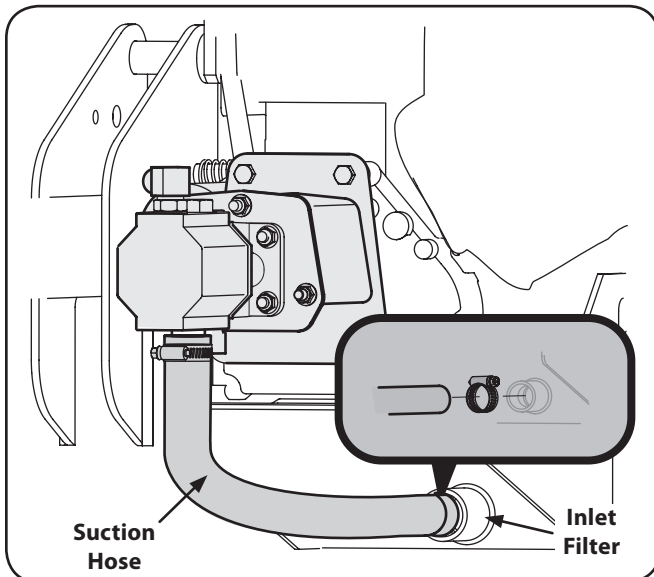


Figure 6-1

3. If your engine has a vertical set-up shown in Figure 6-2, refer to Figure 6-2 for changing the hydraulic fluid.

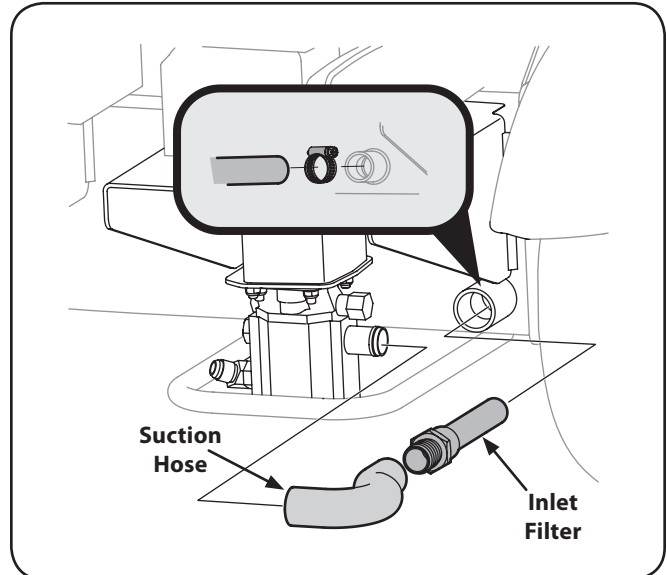


Figure 6-2

4. Disconnect the suction hose from the bottom of the reservoir tank. See Figure 6-1 for horizontal engines or Figure 6-2 for vertical engines.
5. Carefully unthread the inlet filter and clean it with penetrating oil. See Figure 6-3.

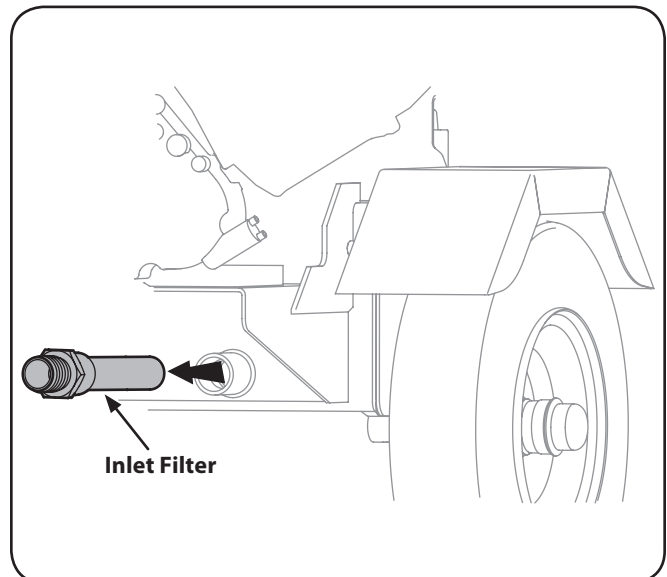


Figure 6-3

6. Allow the fluid to drain into a suitable container.

NOTE: The reservoir tank has a capacity of 3 gallons and the entire hydraulic system has a capacity of approximately 4.7 gallons.

7. Reinstall the cylinder, hoses, pumps, filter and suction hose. Tighten the hose clamps to 50-60 in-lbs.
8. Check the fluid level using the dipstick. Do not overfill.

NOTE: Approved fluids include Shell Tellus® S2 M 32 Hydraulic Fluid, Dexron® III / Mercon® automatic transmission fluid, Pro-Select™ AW-32 Hydraulic Oil or 10WAW-ISO viscosity grade 32 hydraulic oil. It is recommended that fluids not be mixed.
9. Replace the vented dipstick securely, tightening it until the top of the threads are flush with top of the pipe.
10. Disconnect the spark plug and prime the pump by pulling the recoil starter as far as it will go. Repeat approximately 10 times.
11. Reconnect the spark plug wire and start the engine following the instructions in the Engine Operator's manual.
12. Use the control handle to engage the wedge to the farthest extended position. Then retract the wedge.
13. If necessary Refill the reservoir within range marked on the dipstick. See Figure 6-4.

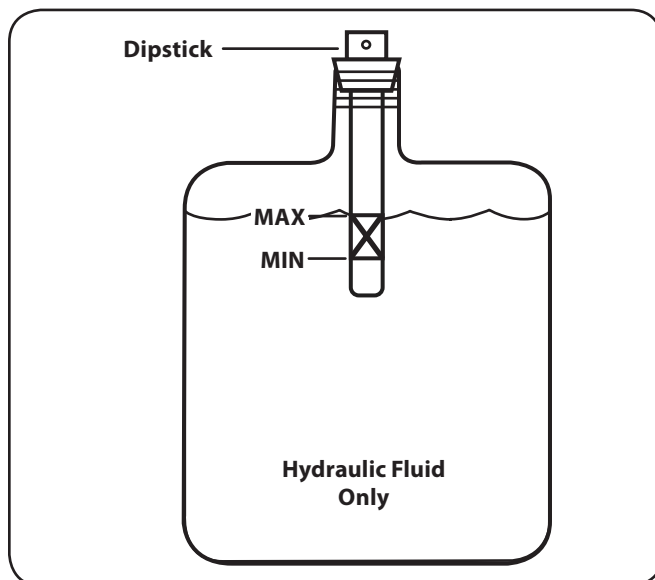


Figure 6-4

14. Extend and retract the wedge 12 complete cycles to remove trapped air in the system (the system is "self-bleeding").



WARNING! Much of the original fluid has been drawn into the cylinder and hoses. Make certain to refill the reservoir to prevent damage to the hydraulic pump. Failure to refill the tank will void the log splitter's warranty.

NOTE: Some fluid may overflow from the vent plug as the system builds heat and the fluid expands and seeks a balanced level. Do not operate the log splitter without the proper amount of fluid in the reservoir tank.

15. Maintain the fluid level within the range specified on the dipstick at all times. When checking the fluid, always make sure to tighten the dipstick until the top of the threads are flush with the top of the pipe.

NOTE: Always dispose of any used hydraulic fluid and engine oil at approved recycling centers only.

16. Contaminants in the fluid may damage the hydraulic components. Flushing the reservoir tank and hoses with kerosene whenever service is performed on the tank, hydraulic pump or valve is recommended. Contact an authorized service dealer.

Hose Clamps

Check the clamps on the return hose before each use and check the clamps on the suction hose once a season.

Hydraulic Filter

Change the hydraulic filter every 50 hours of operation. Use only a 10 micron hydraulic filter. Order part number 723-0405.

Beam

Lubricate both sides of the beam (where it comes into contact with the splitting wedge), before each use, with engine oil.

Off-Season Storage

If the log splitter will not be used for more than 30 days, prepare it for storage as follows:



WARNING! Never store the machine with fuel in the fuel tank inside of building where fumes may reach an open flame or spark, or where ignition sources are present such as hot water and space heaters, furnaces, clothes dryers, stoves, electric motors, etc.

1. Refer to the Engine Operator's manual packed with your log splitter for information on the off-season storage of the engine.
2. Clean the log splitter thoroughly.

NOTE: Using a pressure washer or garden hose to clean the log splitter is not recommended. They may cause damage to the bearings or the engine. The use of water will result in a shortened life and reduce serviceability.

3. Wipe the machine with an oiled rag to prevent rust, especially on the wedge and the beam.
4. Store the log splitter in a clean, dry area. Do not store it next to corrosive materials, such as fertilizer.

NOTE: If storing in an unventilated or metal storage shed, be certain to rustproof the equipment by coating it with a light oil or silicone.

Flexible Pump Coupler

The flexible pump coupler is a nylon "spider" insert, located between the pump and the engine shaft. Over time, the coupler will harden and deteriorate. Replace the coupler if you detect vibration or noise coming from the area between the engine and the pump. If the coupler fails completely, you will experience a loss of power.

NOTE: On vertical shaft engines, it will be necessary to remove the engine to access the hex screws securing the pump to the engine shaft. Taking the log splitter to an authorized service dealer is recommended.

NOTE: Never hit the engine shaft in any manner, as a blow will cause permanent damage to the engine.

1. Disconnect the spark plug wire and ground it against the engine.
2. Remove the three flange lock nuts and hex screws that secure the pump to the coupling shield. Two flange lock nuts and hex screws are at the bottom corners and one is in the top center. See Figure 7-1

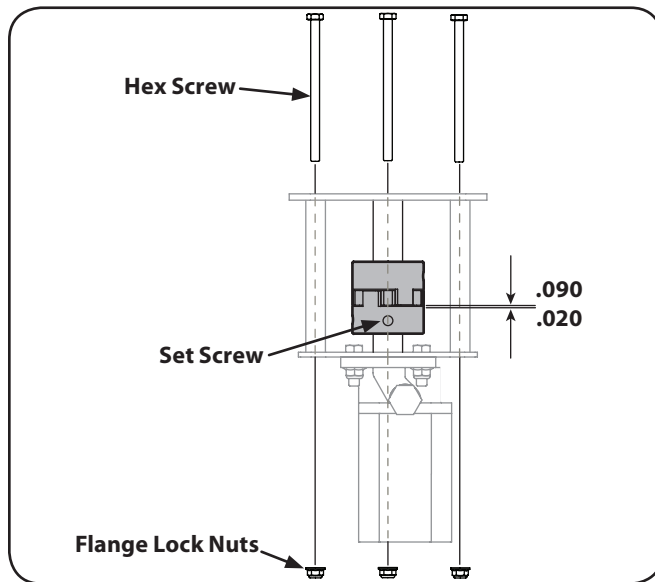


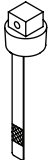
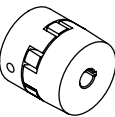
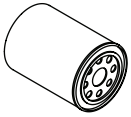
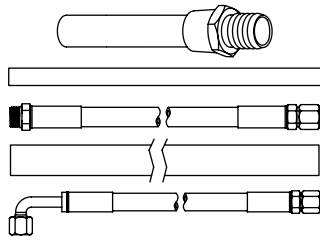

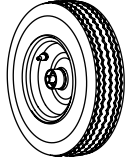
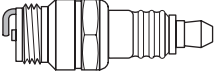
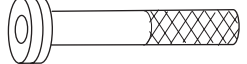
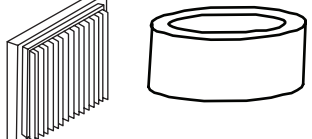
Figure 7-1

3. Remove the pump.
4. Loosen the set screw on the pump coupling half and remove the coupling half.
5. Rotate the engine by slowly pulling the starter handle until the engine coupling half set screw is at the bottom. Loosen the set screw using an allen wrench and slide the coupling half off the engine shaft.
6. Slide the new engine coupling half onto the engine shaft until the end of the shaft is flush with the inner portion of the coupling half. (There must be space between the end of the engine support bracket and the coupling half). Tighten the set screw.

7. Install the nylon "spider" onto the engine coupling half.
 8. Install the pump coupling half and key on the pump shaft. Rotate the coupling half until the set screw faces down. Do not tighten set screw.
 9. Align the pump coupling half with the nylon "spider" by rotating the engine using the starter handle. Slide the coupling half into place while guiding the three mounting bolts through the holes in the pump support bracket.
 10. Secure with the nuts removed earlier.
 11. Set .020" to .090" of a clearance/gap between the nylon "spider" and the engine coupling half by sliding a feeler gauge between the nylon "spider" and the engine coupling half and moving the pump coupling half as needed. Install the set screw and torque to 78 in-lbs to secure the pump coupling half. See Figure 7-1.
- NOTE:** Make certain the proper clearance/gap is obtained before tightening the set screw.
12. Reconnect the spark plug.

Problem	Cause	Remedy
Cylinder rod will not move	<ol style="list-style-type: none"> 1. Broken drive shaft. 2. Shipping plugs left in hydraulic hoses. 3. Set screws in coupling not adjusted properly. 4. Loose shaft coupling. 5. Gear sections damaged. 6. Damaged relief valve. 7. Hydraulic lines blocked. 8. Incorrect oil level. 9. Damaged control valve. 10. Blocked control valve. 	<ol style="list-style-type: none"> 1. See authorized service dealer. 2. Disconnect hydraulic hoses, remove shipping plugs, reconnect hoses. 3. See authorized service dealer. 4. Correct engine/pump alignment as necessary. 5. See authorized service dealer. 6. See authorized service dealer. 7. Flush and clean hydraulic system. 8. Check oil level. 9. See authorized service dealer. 10. Flush and clean hydraulic system
Slow cylinder shaft speed while extending and retracting	<ol style="list-style-type: none"> 1. Gear sections damaged. 2. Excessive pump inlet vacuum. 3. Slow engine speed. 4. Damaged relief valve. 5. Incorrect oil level. 6. Contaminated oil. 7. Control valve leaking internally. 8. Internally damaged cylinder. 	<ol style="list-style-type: none"> 1. See authorized service dealer. 2. Make certain the pump inlet hoses are clear and unblocked. Use short, large diameter inlet hoses. 3. See authorized service dealer. 4. See authorized service dealer. 5. Check oil level. 6. Drain oil, clean reservoir and refill. 7. See authorized service dealer. 8. See authorized service dealer
Leaking Cylinder	<ol style="list-style-type: none"> 1. Worn seals. 2. Scored cylinder. 	<ol style="list-style-type: none"> 1. See authorized service dealer. 2. See authorized service dealer.

Problem	Cause	Remedy
Wood will not split or wood splits too slowly	<ol style="list-style-type: none"> 1. Small gear section damaged. 2. Pump check valve leaking. 3. Excessive pump inlet vacuum. 4. Incorrect oil level. 5. Contaminated oil. 6. Control valve leaking internally. 7. Overloaded cylinder. 8. Internally damaged cylinder. 	<ol style="list-style-type: none"> 1. See authorized service dealer. 2. See authorized service dealer. 3. Make certain pump inlet hoses are clear and unblocked. 4. Check oil level. 5. Drain oil, clean reservoir and refill. 6. See authorized service dealer. 7. Do not attempt to split wood against the grain. 8. See authorized service dealer.
Leaking pump shaft seal	<ol style="list-style-type: none"> 1. Broken drive shaft. 2. Engine/pump misalignment. 3. Gear sections damaged. 4. Damaged shaft seal. 5. Plugged oil breather. 	<ol style="list-style-type: none"> 1. See authorized service dealer. 2. Correct alignment as necessary. 3. See authorized service dealer. 4. See authorized service dealer. 5. Make certain reservoir is properly vented.
Wedge continues to move forward when control handle is released	<ol style="list-style-type: none"> 1. Damaged control valve 	<ol style="list-style-type: none"> 1. See authorized service dealer.
Control handle does not return to neutral when released from forward position	<ol style="list-style-type: none"> 1. Hydraulic fluid too cold. 2. Hydraulic fluid too thick. 3. Hydraulic fluid contaminated. 4. Damaged control valve. 	<ol style="list-style-type: none"> 1. Warm up engine. 2. Replace hydraulic fluid. 3. Replace hydraulic fluid. 4. See authorized service dealer.

Component	Part Number and Description
	737-0348A Vented Dipstick
	735-04103 Spider Bushing 718-04395 Coupling, .875 718-04392 Coupling, .500 710-1842A Set Screw
	723-0405 Hydraulic Oil Filter
	737-04308 Inlet Filter 727-04290 Inlet Hose 727-04288 Hydro Hose 727-0443 Return Hose 727-04362 Hydro Hose
	726-0132 Hose Clamp
	634-0186 Complete Wheel, 16.0 x 4.8 x 8.0
	98079-56846 Spark Plug (572 Models) 951-10292 Spark Plug (57M Models)
	16952-ZA8-800 Fuel Filter (572 Models) N/A Fuel Filter (57M Models)
	17211-ZL8-023 Air Cleaner (572 Models) 951-10794 Air Cleaner (57M Models)

Phone (800) 828-5500 to order replacement parts or a complete Parts Manual (have your full model number and serial number ready). Parts Manual downloads are also available free of charge at www.troybilt.com.

MANUFACTURER'S LIMITED WARRANTY FOR



The limited warranty set forth below is given by Troy-Bilt LLC with respect to new merchandise purchased and used in the United States and/or its territories and possessions, and by MTD Products Limited with respect to new merchandise purchased and used in Canada and/or its territories and possessions (either entity respectively, "Troy-Bilt").

This warranty is in addition to any applicable emissions warranty provided with your product.

"Troy-Bilt" warrants this product (excluding its *Normal Wear Parts* and *Attachments* as described below) against defects in material and workmanship for a period of two (2) years commencing on the date of original purchase and will, at its option, repair or replace, free of charge, any part found to be defective in materials or workmanship. This limited warranty shall only apply if this product has been operated and maintained in accordance with the Operator's Manual furnished with the product, and has not been subject to misuse, abuse, commercial use, neglect, accident, improper maintenance, alteration, vandalism, theft, fire, water, or damage because of other peril or natural disaster. Damage resulting from the installation or use of any part, accessory or attachment not approved by Troy-Bilt for use with the product(s) covered by this manual will void your warranty as to any resulting damage.

Normal Wear Parts are warranted to be free from defects in material and workmanship for a period of thirty (30) days from the date of purchase. Normal wear parts include, but are not limited to items such as: batteries, belts, blades, blade adapters, tines, grass bags, wheels, rider deck wheels, seats, snow thrower skid shoes, friction wheels, shave plates, auger spiral rubber and tires.

Attachments — Troy-Bilt warrants attachments for this product against defects in material and workmanship for a period of one (1) year, commencing on the date of the attachment's original purchase or lease. Attachments include, but are not limited to items such as: grass collectors and mulch kits.

HOW TO OBTAIN SERVICE: Warranty service is available, WITH PROOF OF PURCHASE, through your local authorized service dealer. To locate the dealer in your area:

In the U.S.A.

Check your Yellow Pages, or contact Troy-Bilt LLC at P.O. Box 361131, Cleveland, Ohio 44136-0019, or call 1-866-840-6483, 1-330-558-7220 or log on to our Web site at www.troybilt.com.

In Canada

Contact MTD Products Limited, Kitchener, ON N2G 4J1, or call 1-800-668-1238 or log on to our Web site at www.mtdcanada.com.

This limited warranty does **not** provide coverage in the following cases:

- a. The engine or component parts thereof. These items may carry a separate manufacturer's warranty. Refer to applicable manufacturer's warranty for terms and conditions.
- b. Log splitter pumps, valves, and cylinders have a separate one-year warranty.

- c. Routine maintenance items such as lubricants, filters, blade sharpening, tune-ups, brake adjustments, clutch adjustments, deck adjustments, and normal deterioration of the exterior finish due to use or exposure.
- d. Service completed by someone other than an authorized service dealer.
- e. Troy-Bilt does not extend any warranty for products sold or exported outside of the United States and/or Canada, and their respective possessions and territories, except those sold through Troy-Bilt's authorized channels of export distribution.
- f. Replacement parts that are not genuine Troy-Bilt parts.
- g. Transportation charges and service calls.
- h. Troy-Bilt does not warrant this product for commercial use.

No implied warranty, including any implied warranty of merchantability or fitness for a particular purpose, applies after the applicable period of express written warranty above as to the parts as identified. No other express warranty, whether written or oral, except as mentioned above, given by any person or entity, including a dealer or retailer, with respect to any product, shall bind Troy-Bilt. During the period of the warranty, the exclusive remedy is repair or replacement of the product as set forth above.

The provisions as set forth in this warranty provide the sole and exclusive remedy arising from the sale. Troy-Bilt shall not be liable for incidental or consequential loss or damage including, without limitation, expenses incurred for substitute or replacement lawn care services or for rental expenses to temporarily replace a warranted product.

Some states do not allow the exclusion or limitation of incidental or consequential damages, or limitations on how long an implied warranty lasts, so the above exclusions or limitations may not apply to you.

In no event shall recovery of any kind be greater than the amount of the purchase price of the product sold. **Alteration of safety features of the product shall void this warranty.** You assume the risk and liability for loss, damage, or injury to you and your property and/or to others and their property arising out of the misuse or inability to use the product.

This limited warranty shall not extend to anyone other than the original purchaser or to the person for whom it was purchased as a gift.

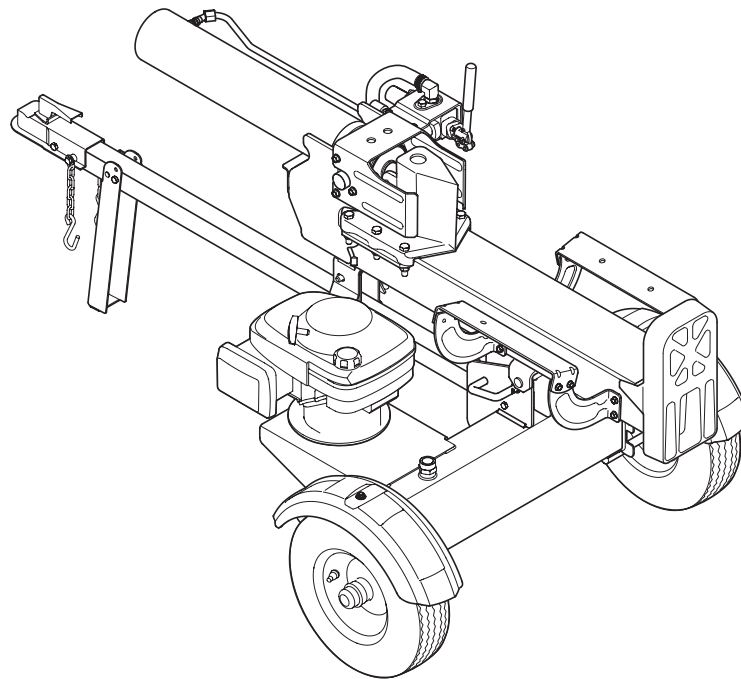
HOW STATE LAW RELATES TO THIS WARRANTY: This limited warranty gives you specific legal rights, and you may also have other rights which vary from state to state.

IMPORTANT: Owner must present Original Proof of Purchase to obtain warranty coverage.

**Troy-Bilt LLC, P.O. BOX 361131 CLEVELAND, OHIO 44136-0019; Phone: 1-866-840-6483, 1-330-558-7220
MTD Canada Limited - KITCHENER, ON N2G 4J1; Phone 1-800-668-1238**



MANUAL DEL OPERADOR



LS 27 TB — Máquina rompe troncos

ADVERTENCIA

**LEA Y RESPETE TODAS LAS NORMAS DE SEGURIDAD E INSTRUCCIONES INCLUIDAS EN ESTE MANUAL ANTES DE PONER EN FUNCIONAMIENTO ESTA MÁQUINA.
SI NO RESPETA ESTAS INSTRUCCIONES PUEDE PROVOCAR LESIONES PERSONALES.**

TROY-BILT LLC, P.O. BOX 361131 CLEVELAND, OHIO 44136-0019

Gracias

Gracias por comprar una MTD máquina rompe troncos. La misma ha sido diseñada cuidadosamente para brindar excelente rendimiento si se la opera y mantiene correctamente.

Por favor lea todo este manual antes de operar el equipo. Le indica cómo configurar, operar y mantener la máquina con seguridad y fácilmente. Por favor asegúrese de seguir cuidadosamente y en todo momento las prácticas de seguridad recomendadas, y hacérselas seguir a cualquier otra persona que opere la máquina. En caso de no hacerlo podrían producirse lesiones personales o daños materiales.

Toda la información contenida en este manual hace referencia a la más reciente información de producto disponible en el momento de la impresión. Revise el manual frecuentemente para familiarizarse con la unidad, sus características y funcionamiento. Por favor tenga en cuenta que este Manual del Operador puede cubrir una gama de especificaciones de productos de diferentes modelos. Las características y funciones incluidas y/o ilustradas en este manual pueden no ser aplicables a todos los modelos. MTD se reserva el derecho de modificar las especificaciones de los productos, los diseños y el equipo

estándar sin previo aviso y sin generar responsabilidad por obligaciones de ningún tipo.

En su caso, los datos de prueba de potencia utilizados para establecer la máxima potencia equipado en esta máquina se pueden encontrar en www.opei.org o sitio web del fabricante del motor. Si tiene algún problema o duda respecto a la unidad, llame a un distribuidor de servicio MTD autorizado o póngase en contacto directamente con nosotros. Los números de teléfono, dirección del sitio web y dirección postal de la Asistencia al Cliente de MTD se encuentran en esta página. Queremos garantizar su entera satisfacción en todo momento.

En este manual, las referencias al lado *derecho* o *izquierdo* de la máquina se observan desde la posición del operador.

El fabricante del motor es el responsable de todas las cuestiones relacionadas con el rendimiento, potencia de salida, especificaciones, garantía y mantenimiento del motor. Para obtener mayor información consulte el Manual del Propietario / Operador entregado por el fabricante del motor, que se envía, en un paquete por separado, junto con su unidad.

Índice

Medidas importantes de seguridad	3	Mantenimiento y Ajustes	15
Montaje y Configuración	7	Servicio	18
Controles y Características	11	Solución de problemas	19
Funcionamiento	12	Garantía	24

Registro de información de producto

Antes de configurar y operar su equipo nuevo, por favor localice la placa de modelo en el equipo y registre la información en el área situada a la derecha. Puede encontrar la placa del modelo en la brida del motor de lado la placa de montaje. Si tiene que solicitar soporte técnico a través de nuestro sitio web, el Departamento de Asistencia al Cliente, o de un distribuidor de servicio autorizado local, necesitará esta información.

NÚMERO DE MODELO

--	--	--	--	--	--	--	--	--	--	--	--

NÚMERO DE SERIE

--	--	--	--	--	--	--	--	--	--	--	--

Asistencia al Cliente

Por favor, NO devuelva la unidad al minorista o distribuidor sin ponerse en contacto primero con el Departamento de Asistencia al Cliente.

En caso de tener problemas para montar este producto o de tener dudas con respecto a los controles, funcionamiento o mantenimiento del mismo, puede solicitar la ayuda de expertos. Elija entre las opciones que se presentan a continuación:

◇ Visite nuestro sitio web en www.mtdproducts.com



Ver Vídeos demostrativos de instalación de mantenimiento y piezas en www.mtdparts.com/KnowledgeCenter

◇ Llame a un representante de Asistencia al Cliente al (800) 800-7310 ó (330) 220-4683

◇ Escríbanos a MTD LLC • P.O. Box 361131 • Cleveland, OH • 44136-0019



ADVERTENCIA: La presencia de este símbolo indica que se trata de instrucciones de seguridad importantes que se deben respetar para evitar poner en peligro su seguridad personal y/o material y la de otras personas. Lea y cumpla todas las instrucciones de este manual antes de intentar operar esta máquina. Si no respeta estas instrucciones puede provocar lesiones personales.

Cuando vea este símbolo. **¡TENGA EN CUENTA LAS ADVERTENCIAS!**

PROPOSICIÓN 65 DE CALIFORNIA



ADVERTENCIA: El escape del motor de este producto, algunos de sus componentes y algunos componentes del vehículo contienen o liberan sustancias químicas que el estado de California considera que pueden producir cáncer, defectos de nacimiento u otros problemas reproductivos.



PELIGRO: Esta máquina está diseñada para ser utilizada respetando las normas de seguridad contenidas en este manual. Al igual que con cualquier tipo de equipo motorizado, un descuido o error por parte del operador puede producir lesiones graves. Esta máquina es capaz de amputar manos y pies y de arrojar objetos con gran fuerza. De no respetar las instrucciones de seguridad siguientes se pueden producir lesiones graves o la muerte.

Capacitación

1. Lea, entienda y cumpla todas las instrucciones incluidas en la máquina y en el(los) manual(es) antes de intentar realizar el montaje de la unidad y utilizarla. Guarde este manual en un lugar seguro para consultas futuras y periódicas, así como para solicitar repuestos.
2. Familiarícese con todos los controles y con el uso adecuado de los mismos. Sepa cómo detener la máquina y desenganchar los controles rápidamente.
3. No permita nunca que los niños menores de 16 años utilicen esta máquina. Los niños de 16 años en adelante deben leer y entender las instrucciones de operación y normas de seguridad contenidas en este manual y en la máquina y deben ser entrenados y supervisados por un adulto.
4. Nunca permita que los adultos operen esta máquina sin recibir antes la instrucción apropiada.
5. Muchos accidentes ocurren cuando más de una persona hace funcionar la máquina. Si un peón lo está ayudando a cargar los troncos, nunca active el control hasta que el peón se encuentre por lo menos a 10 pies de distancia de la máquina.
6. Mantenga a los observadores, mascotas y niños por lo menos a 10 pies de la máquina siempre que esté funcionando.
7. Nunca permita que ninguna persona se desplace en la máquina.
8. Nunca traslade cargas en esta máquina.
9. Las máquinas rompetroncos hidráulicas desarrollan altas presiones de fluido durante el funcionamiento. Si sale fluido a través de la abertura de un orificio de pasador puede penetrar en la piel y causarle envenenamiento de la sangre, gangrena o la muerte. Preste atención a las siguientes instrucciones en todo momento:
 - a. No controle las fugas con la mano.
 - b. No opere la máquina si las mangueras, los accesorios o los tubos están deshilachados, enroscados, agrietados o dañados.
 - c. Detenga el motor y libere la presión del sistema hidráulico haciendo pasar la palanca de control de la válvula de la posición de avance a la de retroceso varias veces mientras el motor no está en marcha; regresando a la posición neutral antes de realizar la reparación o el ajuste de los accesorios, las mangueras, los tubos u otros componentes del sistema.
 - d. No ajuste los valores de presión de la bomba o válvula.
10. Las fugas se pueden detectar pasando un cartón o madera sobre el área sospechosa, usando guantes de protección y anteojos de seguridad. Fíjese si el cartón o la madera pierden color.
11. Si es lastimado por un escape de fluido, consulte a un médico de inmediato. Si no se administra tratamiento médico adecuado inmediatamente se puede producir una infección o reacción grave.
12. Mantenga la zona del operador y el área adyacente despejadas, para poder estar parado con firmeza y seguridad.

13. Si la máquina está equipada con un motor de combustión interna y existe la intención de usarla cerca de un terreno agreste cubierto de bosque, arbustos o pasto, el escape del motor debe estar provisto de un amortiguador de chispas. Asegúrese de respetar todos los códigos locales, estatales y federales aplicables. Lleve el equipamiento adecuado para combatir incendios.
14. Esta máquina se debe utilizar únicamente para cortar madera, no la use con ningún otro propósito.
15. Siga las instrucciones del(de los) manual(es) entregado(s) con cualquier accesorio de esta máquina.

Preparativos

1. Siempre use zapatos de seguridad o botas reforzadas.
2. Siempre use anteojos o antiparras de seguridad cuando hace funcionar esta máquina.
3. No use nunca joyas ni vestimenta floja que pudieran quedar atrapadas en las partes móviles o giratorias de la máquina.
4. Compruebe que la máquina esté sobre suelo nivelado, seco y resistente antes de su operación.
5. Siempre bloquee las ruedas para evitar que se mueva accidentalmente y trabe la vigueta ya sea en posición horizontal o vertical.
6. Siempre opere la máquina desde la(s) zona(s) del operador que se especifican en el manual. Vea la Fig. 2-1.

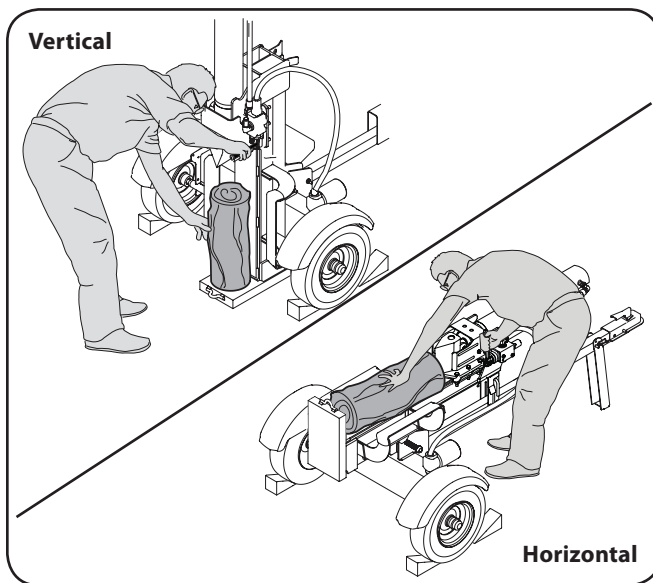


Figura 2-1

7. Antes de cortar los troncos con esta máquina se les deben cortar los extremos en escuadra.
8. Use la máquina rompetroncos a la luz del día o con buena luz artificial.

Manejo seguro de la gasolina

Para evitar lesiones personales o daños materiales sea sumamente cuidadoso al manipular la gasolina. La gasolina es sumamente inflamable y sus vapores pueden causar explosiones. Si se derrama gasolina encima o sobre la ropa se puede lesionar gravemente ya que se puede encender. Lávese la piel y cámbiese de ropa de inmediato.

- a. Utilice sólo los recipientes para gasolina autorizados.
- b. Apague todos los cigarrillos, cigarros, pipas y otras fuentes de ignición.
- c. Nunca cargue combustible en la máquina en un espacio cerrado.
- d. Nunca saque la tapa del combustible ni agregue combustible mientras el motor está caliente o en marcha.
- e. Deje que el motor se enfríe por lo menos dos minutos antes de volver a cargar combustible.
- f. Nunca llene en exceso el tanque de combustible. Llene el tanque no más de 1/2 pulgada por debajo de la base del cuello del filtro para dejar espacio para la expansión del combustible.
- g. Vuelva a colocar la tapa del combustible y ajústela bien.
- h. Limpie el combustible que se haya derramado sobre el motor y el equipo y mueva la máquina a otra área. Espere cinco minutos antes de encender el motor.
- i. Nunca guarde la máquina o el recipiente de combustible en un espacio cerrado donde haya fuego, chispas o luz piloto, como por ejemplo de calentadores de agua, calefactores de ambientes, hornos, secadores de ropa u otros aparatos a gas.
- j. Deje que la máquina se enfríe por lo menos 5 minutos antes de guardarla.

Funcionamiento

1. Antes de poner en marcha esta máquina, repase las "Medidas de seguridad". Si no se respetan estas normas se pueden producir lesiones graves tanto al operador como a los observadores.
2. Nunca deje la máquina en funcionamiento sin vigilancia.
3. No utilice la máquina bajo la influencia de alcohol, drogas o medicamentos.
4. Nunca permita a nadie operar esta máquina sin recibir antes la instrucción apropiada.
5. Siempre opere la máquina con todo el equipamiento de seguridad en su lugar y en condiciones. Asegúrese de que todos los controles funcionen adecuadamente para una operación segura.
6. Zona del operador
 - a. Posición horizontal de funcionamiento: Párese del lado de la palanca de control de la máquina rompetroncos y estabilice el tronco como se indica, si es necesario. Vea la Fig. 2-1.
 - b. Posición vertical de funcionamiento: Párese delante de la máquina rompetroncos y estabilice el tronco como se indica, si es necesario. Vea la Fig. 2-1.



¡ADVERTENCIA! Cuando estabiliza el tronco con la mano izquierda, quite la mano después de que la cuña esté justo en contacto con el tronco o puede lesionarse gravemente.

7. Cuando cargue un tronco, siempre coloque las manos a los lados del mismo, no en los extremos, y no use nunca el pie para estabilizar un tronco. Si no respeta estas instrucciones, se puede producir el aplastamiento o la amputación de dedos, dedos de los pies, manos o pies.

8. Use únicamente la mano derecha para operar los controles.
9. Nunca intente cortar más de un tronco a la vez.
10. Para los registros que no están cortados en ángulo recto, el extremo menos cuadrado de la sesión se debe colocar hacia el rayo y la cuña, y el extremo cuadrado colocado hacia la placa terminal.
11. Cuando corte en posición vertical, establezca el tronco antes de mover la manija de control. Corte según se indica a continuación:
 - a. Coloque el tronco en la placa del extremo y gírelo hasta que se incline contra la vigueta y quede estable.
 - b. Al dividir extra grande o desigual registros, el registro debe ser estabilizado con cuñas de madera o de madera dividida coloca entre el registro y la placa terminal o tierra.
12. Siempre mantenga los dedos alejados de cualquier hendidura que se abra en el tronco mientras realiza el cortado. Estas separaciones se pueden cerrar con rapidez y atrapar o amputar dedos.
13. Mantenga limpia el área de trabajo. Retire inmediatamente la madera cortada que quede alrededor de la máquina para no tropezarse con la misma.
14. No cambie la configuración del regulador del motor ni acelere demasiado el motor. El regulador del motor controla la velocidad máxima de funcionamiento seguro del motor.
15. Nunca mueva la máquina mientras el motor está en funcionamiento.
16. Esta máquina no se debe remolcar en ninguna calle, ruta o camino público sin verificar los requisitos aplicables a los vehículos según las reglamentaciones federales, estatales o locales que se encuentren en vigencia. Cualquier autorización o modificación que se deba realizar, por ejemplo, en relación con luces traseras, etc., es responsabilidad exclusiva del comprador. Si en su estado se exige una "Declaración de Origen", consulte con su distribuidor local.
17. No remolque la máquina por encima de las 45 mph.
18. Vea la sección "Transporte de la máquina rompetroncos" de este manual para consultar las instrucciones de remolque adecuadas después de haber cumplimentado todos los requisitos federales, locales o estatales.
4. Periódicamente controle que todas las tuercas y pernos, abrazaderas de mangueras y accesorios hidráulicos estén ajustados, para verificar que el equipo se encuentra en condiciones de trabajo seguras.
5. Controle todos los protectores y escudos de seguridad para verificar que se encuentren en posición adecuada. Nunca opere la máquina si se han retirado los protectores o escudos de seguridad u otros dispositivos de protección.
6. La válvula de descarga de presión viene preconfigurada de fábrica. No la ajuste.
7. No intente nunca mover la máquina en terreno en pendiente o desparejo sin un vehículo de remolque o sin ayuda adecuada.
8. Por su seguridad, cambie todas las piezas dañadas o desgastadas inmediatamente utilizando únicamente equipo del fabricante original ('OEM'). El uso de piezas que no cumplen con las especificaciones del equipo original puede resultar en rendimiento inadecuado y puede poner en peligro la seguridad.
9. No modifique esta máquina de ningún modo; si se realizan modificaciones tales como agregado de una cuerda o alargador a la manija de control, o el aumento del ancho o la altura de la cuña, se pueden producir lesiones personales graves.
10. Según la Comisión de Seguridad de Productos para el Consumidor de los Estados Unidos (CPSC) y la Agencia de Protección Ambiental de los Estados Unidos (EPA), este producto tiene una *vida útil media* de siete (7) años o 130 horas de funcionamiento. Al finalizar la *vida útil media* haga inspeccionar anualmente esta unidad por un distribuidor de servicio autorizado para cerciorarse de que todos los sistemas mecánicos y de seguridad funcionan correctamente y no tienen excesivo desgaste. Si no lo hace, pueden producirse accidentes, lesiones o la muerte.

Mantenimiento y almacenamiento

1. Detenga el motor, desconecte la bujía y haga masa contra el motor antes de limpiar o inspeccionar la máquina.
2. Detenga el motor y libere la presión del sistema hidráulico haciendo pasar la palanca de control de la válvula de la posición de avance a la de retroceso varias veces mientras el motor no está en marcha; regresando a la posición neutral antes de realizar la reparación o el ajuste de los accesorios, las mangueras, los tubos u otros componentes del sistema.
3. Para evitar incendios, limpie la suciedad y grasa de las áreas del motor y del silenciador. Si el motor está equipado con un silenciador con amortiguador de chispas, límpielo e inspecciónelo regularmente según las instrucciones de los fabricantes. Reemplácelo si está dañado.

Amortiguador de chispas



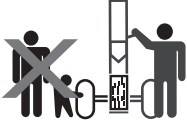


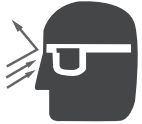






ADVERTENCIA: Esta máquina está equipada con un motor de combustión interno y no debe ser utilizada en o cerca de un terreno agreste cubierto por bosque, malezas o hierba excepto que el sistema de escape del motor esté equipado con un amortiguador de chispas que cumpla con las leyes locales o estatales correspondientes (en caso de existir).

Si se utiliza un amortiguador de chispas el operador lo debe mantener en condiciones de uso adecuadas. En el Estado de California las medidas anteriormente mencionadas son exigidas por ley (Artículo 4442 del Código de Recursos Públicos de California). Es posible que existan leyes similares en otros estados. Las leyes federales se aplican en territorios federales. Puede conseguir el amortiguador de chispas para el silenciador a través de su distribuidor de mantenimiento de motores autorizado más cercano o poniéndose en contacto con el departamento de servicios, P.O. Box 361131 Cleveland, Ohio 44136-0019.

Símbolos de seguridad

En esta página se presentan y describen los símbolos de seguridad que pueden aparecer en este producto. Lea, entienda y cumpla todas las instrucciones incluidas en la máquina antes de intentar realizar el montaje de la unidad y utilizarla.

Símbolo	Descripción
	LEA LOS MANUALES DEL OPERADOR Lea, entienda y cumpla todas las instrucciones incluidas en los manuales antes de realizar el montaje de la unidad y utilizarla.
	ADVERTENCIA— RIESGO DE APLASTAMIENTO Mantenga las manos alejadas de la cuña, la placa del extremo, la madera que esté parcialmente cortada y las piezas móviles.
	OBSERVADORES Mantenga a los observadores, ayudantes y niños por lo menos a 10 pies de distancia.
	OPERADOR ÚNICO Sólo debe operar la máquina una persona a la vez. El adulto que carga y estabiliza el tronco debe ser la persona que opere la manija de control.
	ADVERTENCIA— FLUIDO PRESURIZADO Nunca controle con las manos si los tubos tienen pérdidas. El fluido a presión elevada puede salir a través de la abertura de un orificio de pasador y causarle lesiones graves al penetrar en la piel y causarle envenenamiento de la sangre.
	PROTECCIÓN OCULAR Siempre use anteojos o antiparras de seguridad cuando hace funcionar esta máquina.
	ADVERTENCIA— CUÑA MÓVIL Mantenga las manos alejadas de la cuña y de las piezas móviles.
	ADVERTENCIA -INCENDIO Para reducir el riesgo de incendio mantenga la máquina limpia de pasto, hojas y de acumulación de otros escombros.
	ADVERTENCIA VAPORES TÓXICOS Nunca encienda un motor en espacios cerrados o en una zona con poca ventilación. El escape del motor contiene monóxido de carbono, un gas inodoro y letal.
	ADVERTENCIA — SUPERFICIE CALIENTE Las partes del motor, especialmente el silenciador, llega a ser muy caliente durante la operación. Permita que se enfríen el motor y el silenciador antes de tocarlos.



ADVERTENCIA: Su responsabilidad—Restrinja el uso de esta máquina motorizada a las personas que lean, comprendan y respeten las advertencias e instrucciones que figuran en este manual y en la máquina.

¡GUARDE ESTAS INSTRUCCIONES!

Contenido de la caja

- Una máquina rompetroncos
- Un montaje de lengüeta
- Un Manual del operador
- Un Manual del operador del motor

NOTE: Ce manuel utilisateur couvre plusieurs modèles. Caractéristiques máquina rompe troncos peut varier selon le modèle. Toutes les fonctionnalités de ce manuel sont applicables à tous les modèles máquina rompe troncos et wáquina rompe troncos représenté peut différer de la vôtre.



¡ADVERTENCIA! Tenga mucho cuidado al desembalar esta máquina. Algunos componentes son muy pesados y es necesario que colaboren varias personas o que se use equipo de manipulación mecánico.

NOTA: Todas las referencias que contiene este manual sobre los lados derecho o izquierdo y delantero y trasero de la máquina rompetroncos se hacen observando la misma desde la posición de operación. Si existiera alguna excepción, la misma será especificada.

Cómo desembalar y montar la máquina rompetroncos

HERRAMIENTAS NECESARIAS: Gafas de seguridad, guantes de cuero, cortador de alambre, palanca, ajustables y / o conjunto llave de tubo y/o martillo.

1. Use una barreta para aflojar y extraer la tapa de la caja.
2. Use una barreta y un martillo para extraer los costados de la caja, comenzando por los costados cortos (o el lado izquierdo y derecho de la máquina rompetroncos). Ponga a un lado los costados de la caja para evitar lesiones.
3. En el frente de la caja el conjunto de la lengüeta está sujeto en el interior de la caja con un precinto para cables. Corte el precinto para cables para extraer la lengüeta.
4. Extraiga la cubierta plástica grande y descártela.



¡ADVERTENCIA! NO saque madera ni corte las tiras que sujetan la máquina rompetroncos o sus componentes a dicha máquina o la caja en este momento. Saque solamente las tiras y/o la madera cuando se le indique que lo haga.

5. Inspeccione el fondo de la caja para detectar grapas o astillas de madera sobresalientes y extraígalas.
6. Quite cualquier parte suelta que se incluya con la máquina rompetroncos (el manual del operador, etc.).

NOTA: No extraiga la madera que está entre la cuña y la placa del extremo, los pernos que sujetan la placa del extremo a la base de la caja y la tira grande de metal que sujeta la máquina rompetroncos a la base de la caja, hasta que se le indique que lo haga.

7. Retire del gato que está sobre la lengüeta la abrazadera de resorte y el pasador de horquilla y luego gire el gato hacia el suelo, hasta la posición de operación. Vea la Figura 3-1.

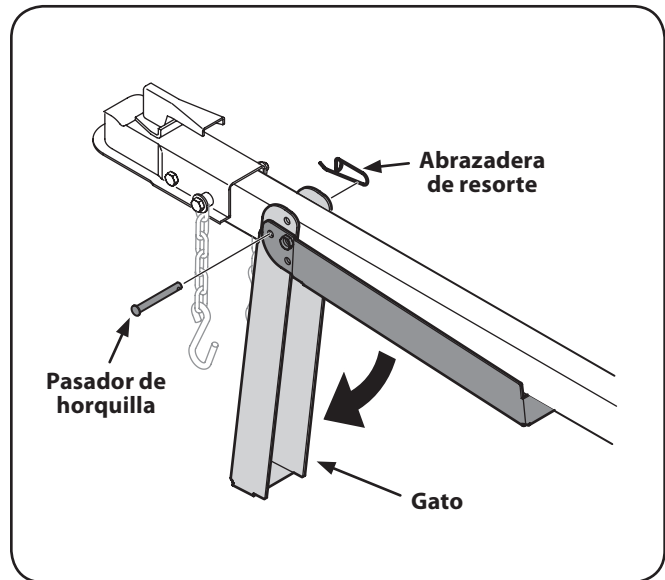


Figura 3-1

8. Sujete el gato en su lugar con el pasador de horquilla y la abrazadera de resorte. Vea la Figura 3-1.
9. Con la máquina rompetroncos todavía sujeta a la base de la caja, extraiga dos pernos hexagonales y tuercas hexagonales del soporte del tanque y extraiga el trozo de madera que está en los soportes del tanque. Vea la Figura 3-2.

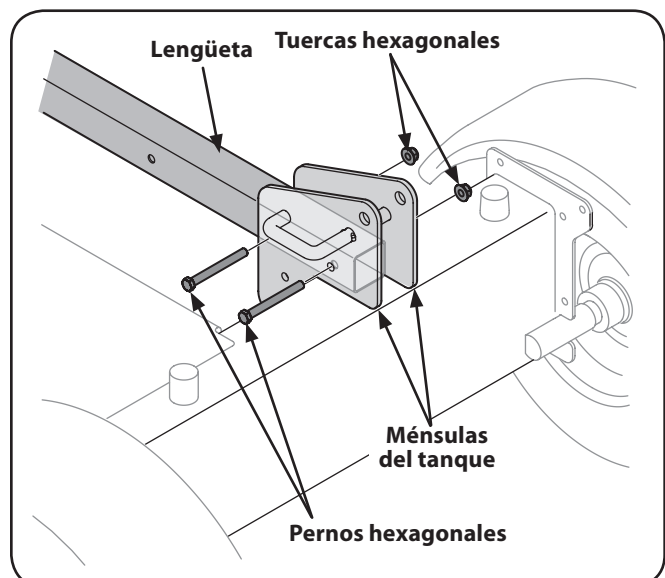


Figura 3-2

10. Alinee los orificios de la lengüeta con los orificios del soporte del tanque y fjela con los elementos de ferretería que se acaban de retirar. Vea la Figura 3-2.

NOTA: La manguera de alta presión, que se extiende desde la bomba de engranaje hasta la parte inferior de la válvula de control, debe estar por encima del conjunto de la lengüeta.

11. La máquina rompetroncos se envía con la vigaeta en posición vertical. Extraiga los pernos o las tiras que sujetan la placa del extremo a la base de la caja.
12. Tire hacia afuera del bloqueo de vigaeta vertical, rótelo hacia atrás y gire la vigaeta a la posición horizontal hasta que quede trabada, asegurándose de evitar los posibles puntos de apriete. Vea la Figura 3-3.

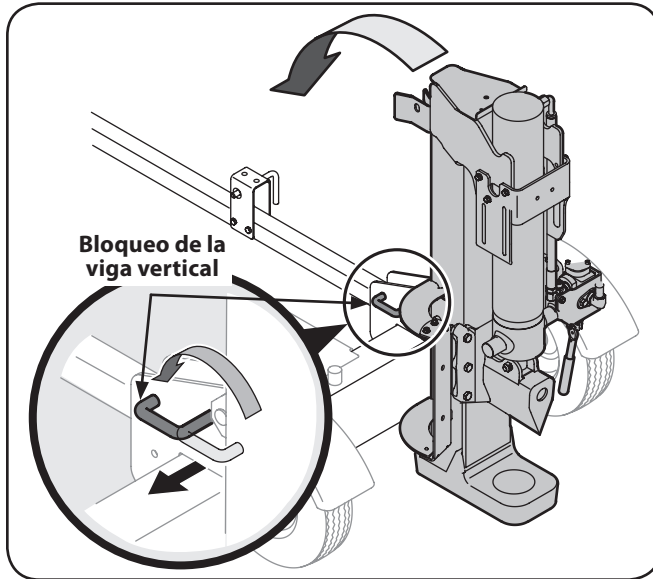


Figura 3-3



¡ADVERTENCIA! Tenga mucho cuidado al subir y bajar la viga, ya que es bastante pesado. Después de haber una segunda persona ayudar a subir o bajar la viga se recomienda. Asegúrese de mantener las manos alejadas de cualquier punto de pellizco posible.

13. Extraiga la madera que está entre la cuña y la placa del extremo cortando el precinto para cables que la sujeta. Corte la tira que está cerca del tubo en el frente del cilindro que lo sujeta al soporte soldado de vigaeta. Tenga cuidado de no dañar el tubo.

14. Desconecte el liberador del soporte soldado de vigaeta retirando los seis tornillos hexagonales. Vea la Figura 3-4.

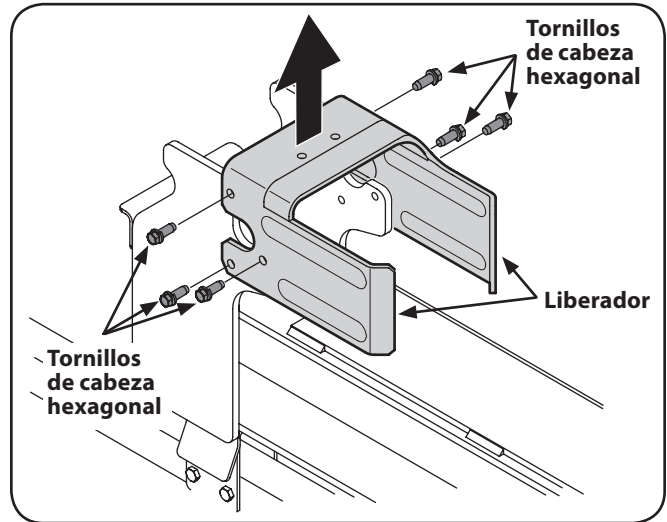


Figura 3-4

15. Desconecte el bandeja de troncos de la vigaeta que está al costado de la válvula de control extrayendo los dos tornillos de las arandelas hexagonales que lo sujetan a la vigaeta y los dos tornillos de las arandelas hexagonales de la vigaeta. Vea la Figura 3-5.

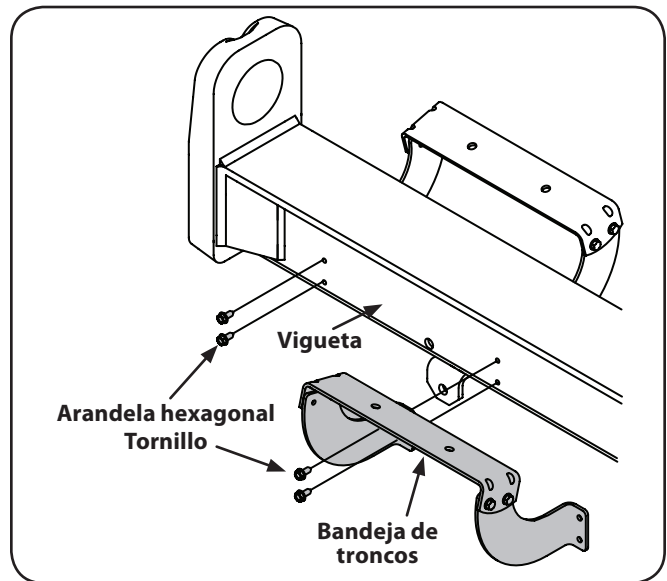


Figura 3-5

16. Levante y deslice el cilindro hacia arriba hasta el tope de la vigueta y dentro de los soportes soldados. Vea la Figura 3-6.

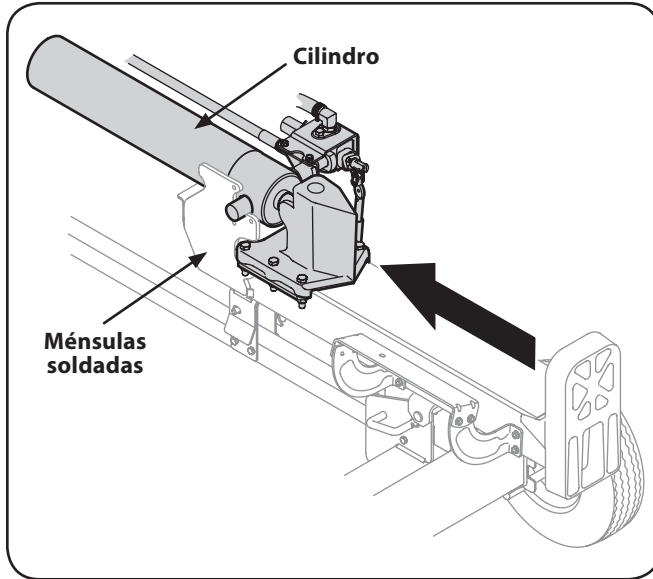


Figura 3-6

17. Coloque el liberador encima del montaje de la cuña y fíjelo en los soportes soldados con los elementos de ferretería que extrajo previamente. Vea la Figura 3-4.

NOTA: Levante el cilindro cuando la instalación de los tornillos hexagonales.

NOTA: Una vez apretados los seis tornillos hexagonales, puede haber una pequeña separación entre el liberador y los soportes soldados. Esta separación es normal.

18. Vuelva a colocar el bandeja de troncos al costado de la vigueta con la válvula de control, alineando los orificios del bandeja con los orificios de la vigueta. Vea la Figura 3-7.

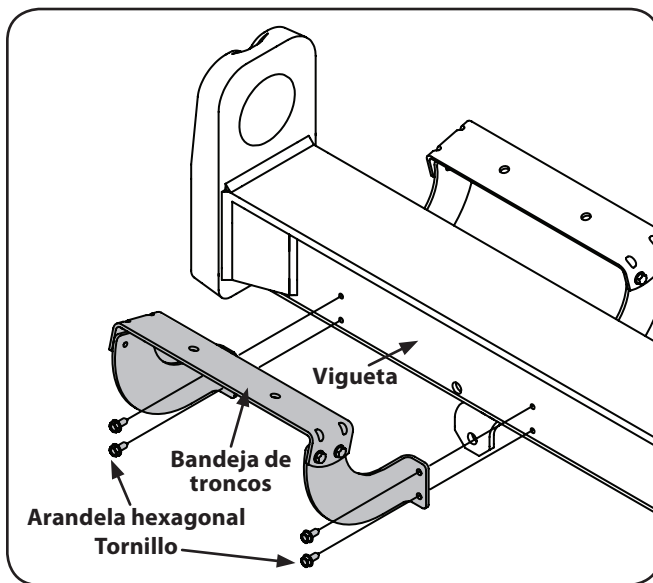


Figura 3-7

19. Controle si hay grapas y extráigalas de la base de la caja ya que pueden perforar el neumático.

20. Corte la tira de metal que sujeta la máquina rompetroncos a la base de la aja y extraiga la madera que está debajo del motor y/o cualquier otra madera, luego haga rodar la máquina fuera de la base de la caja de embalaje.
21. La manija de control se envía colgando de la válvula en el enlace de la manija.
22. Extraiga el pasador de horquilla y el pasador de chaveta con unión curva de la manija de control. Vea la Figura 3-8.

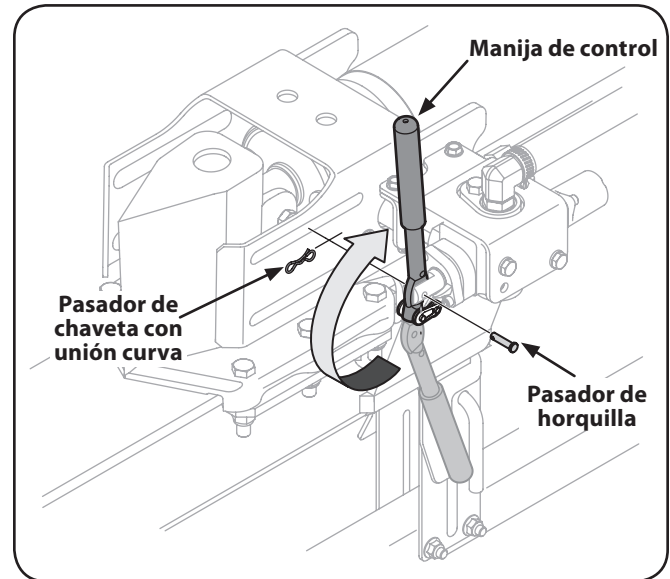


Figura 3-8

23. Rote la manija de control hasta la posición de operación y sujétela con el pasador de horquilla y el pasador de chaveta con unión curva que se extrajo en el paso 1. Consulte la Figura 3-8.

Configuración

Llenado de gasolina y aceite

Realice el mantenimiento del motor con gasolina y aceite como se explica en el manual del motor que se entregó con la máquina rompetroncos. Lea las instrucciones con atención.



¡ADVERTENCIA! Tenga mucho cuidado al trabajar con gasolina. La gasolina es sumamente inflamable y sus vapores pueden causar explosiones. Nunca agregue combustible a la máquina en interiores ni mientras el motor está caliente o en funcionamiento.

NOTA: Es posible que su máquina rompetroncos se envíe con aceite en el motor. Usted DEBE controlar el nivel de aceite antes de hacer funcionar la máquina. Tenga cuidado de no llenar en exceso. Se puede agregar gasolina al motor cuando la máquina rompetroncos se encuentra en posición horizontal o vertical. Sin embargo, es posible que resulte más fácil cuando la unidad se encuentra en posición vertical.

Presión de los neumáticos

La presión de operación máxima recomendada es 30 psi. En ninguna circunstancia supere la presión en psi recomendada por el fabricante. Mantenga la misma presión en todos los neumáticos.



¡ADVERTENCIA! Una presión excesiva al pisar un reborde puede causar que el montaje de neumático / llanta explote con una fuerza suficiente como para causar lesiones graves.

Preparación de la máquina rompetroncos

1. Lubrique el área de la vigueta donde se desplazará la cuña de corte con aceite de motor. No use grasa.
2. Retire la varilla del depósito venteada que se encuentra delante del motor, sobre el tanque de depósito. Vea la Figura 3-9.

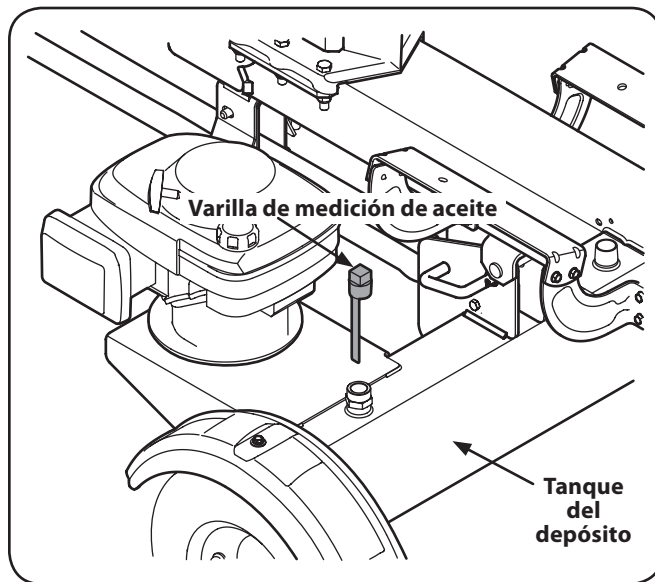


Figura 3-9

NOTA: La máquina rompetroncos viene de fábrica llena hasta el nivel operativo correcto con fluido hidráulico Shell Tellus® S2 M 32. Sin embargo, usted DEBE controlar el nivel de fluido antes de ponerla en funcionamiento. Si no está lleno, realice los siguientes pasos:

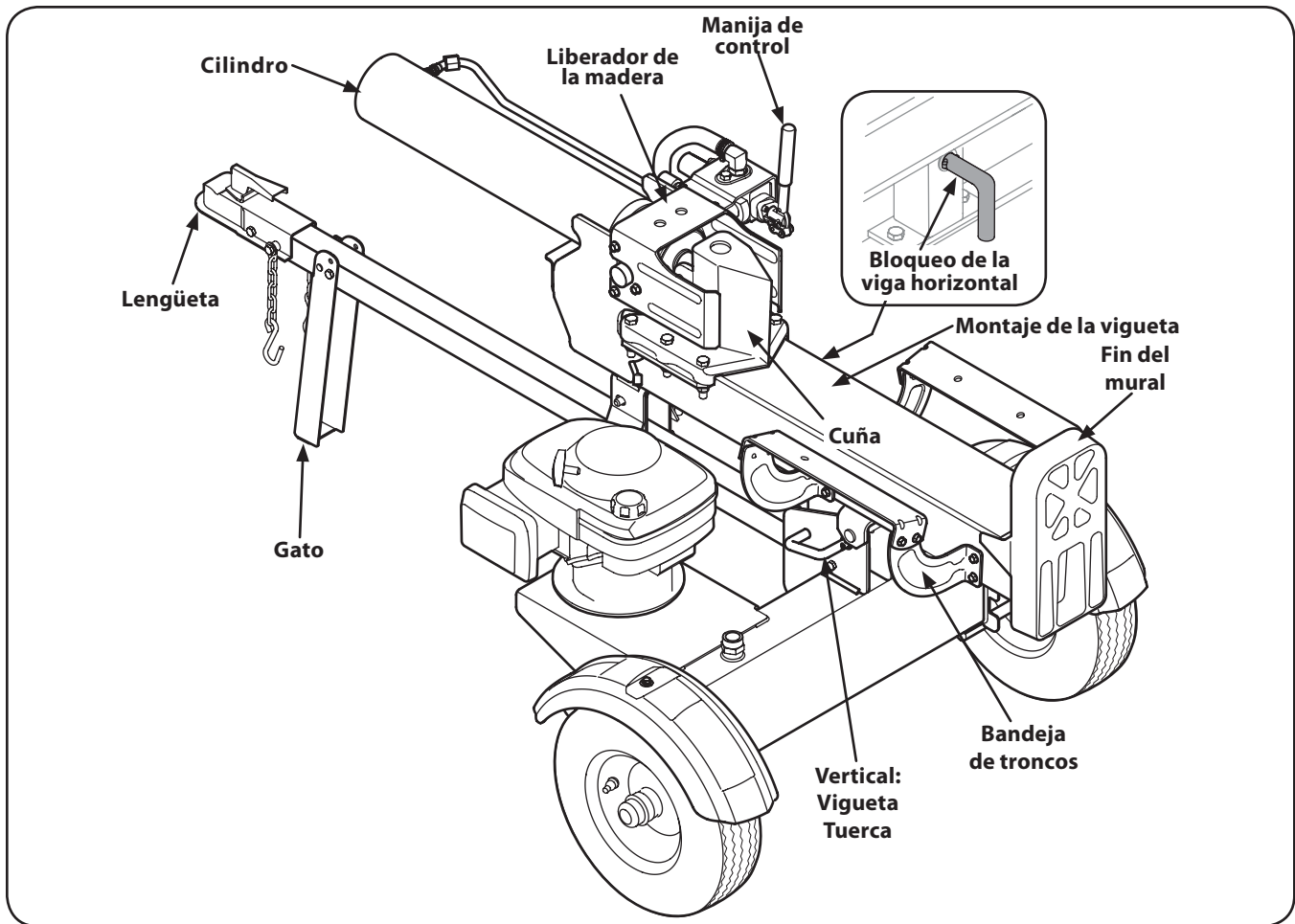


¡ADVERTENCIA! Gran parte del líquido original se ha desplazado en el cilindro y los tubos. Asegúrese de volver a llenar el depósito para evitar que se dañe la bomba hidráulica.

3. Controle el nivel de líquido con la varilla de nivel. Vea la Figura 3-9. No llene el depósito en exceso.
NOTA: Entre los fluidos aprobados se encuentran fluido hidráulico Shell Tellus® S2 M 32, fluido para transmisiones automáticas Dexron® III / Mercon®, aceite hidráulico Pro-Select™ AW-32 o aceite hidráulico 32 grado de viscosidad 10WAW-ISO. No se recomienda mezclar los fluidos, para llenar hasta completar el tanque de depósito durante la configuración inicial debe usar únicamente el fluido hidráulico Shell Tellus® S2 M 32.
4. Vuelva a colocar la varilla de nivel venteada y apriétela bien hasta que el tope de las roscas quede al ras del tope del tubo.

5. Desconecte la bujía y ceba la bomba tirando del arrancador de retroceso hasta el máximo. Repita este paso aproximadamente 10 veces.
6. Vuelva a conectar el cable de la bujía y arranque el motor según las instrucciones del manual del operador del motor.
7. Use la manija de control para enganchar la cuña en la posición de extensión máxima. Luego retraiga la cuña.
8. Vuelva a llenar el tanque según lo especificado en la varilla de nivel de ser necesario.
NOTA: La falta de llenado del tanque anula la garantía de la máquina rompetroncos.
9. Extienda y retraiga la cuña 12 ciclos completos para eliminar el aire atrapado en el sistema (el sistema es "autopurgante").
10. Vuelva a llenar el depósito dentro del rango que figura en la varilla de nivel de ser necesario.

NOTA: Parte del líquido puede rebasar el tapón de cierre de la tubería de ventilación ya que el sistema acumula calor y el líquido se expande y busca un nivel balanceado.



NOTE: Ce manuel utilisateur couvre plusieurs modèles. Caractéristiques máquina rompe troncos peut varier selon le modèle. Toutes les fonctionnalités de ce manuel sont applicables à tous les modèles máquina rompe troncos et wáquina rompe troncos représenté peut différer de la vôtre.

Controles del motor

Consulte el manual del motor adjunto para ver la ubicación y el funcionamiento de los controles del motor.

Bloqueos de las vigas

Estas dos trabas, como su nombre lo indica, se usan para ajustar la vigueta en posición horizontal o en posición vertical. La traba de la vigueta vertical está ubicada sobre la ménsula de los depósitos. El bloqueo de la vigueta horizontal está ubicado sobre el soporte del sujetador de la vigueta.

Manija de control

La manija de control tiene tres posiciones: Hacia adelante, neutral, y marcha atrás. Consulte la Sección de Funcionamiento para más instrucciones.

Cuña

La cuña se usa para cortar la madera.

Liberador de la madera

El liberador de madera está diseñado para sacar de la cuña la madera parcialmente cortada. Esto puede suceder cuando se corta madera de gran diámetro o que ha sido cortada recientemente.

Bandeja de troncos

La bandeja de registro está diseñado para detectar el registro después de que se divide.

Lengüeta

La lengüeta se usa para acoplar a un vehículo de remolque para transporte.

Fin del mural

La placa final tiene el registro en su lugar mientras la cuña divide el registro.

Arranque y detención del motor

Consulte el manual del operador del motor embalado con la máquina rompetroncos por las instrucciones sobre cómo arrancar y detener el motor.

Uso de la máquina rompetroncos

Posiciones de operación

1. Coloque la máquina rompetroncos sobre suelo nivelado, seco y resistente.
2. Trabe las dos ruedas por delante y por detrás. Vea la Figura 5-1.

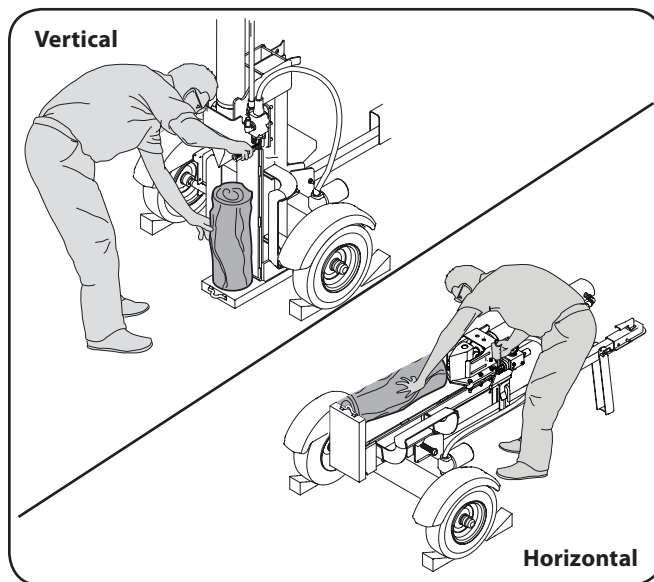


Figura 5-1

3. Coloque la vigueta en la posición horizontal o vertical y trábela en su lugar.



¡ADVERTENCIA! Tenga mucho cuidado al subir y bajar la viga, ya que es bastante pesado. Después de haber una segunda persona ayudar a subir o bajar la viga se recomienda. Asegúrese de mantener las manos alejadas de cualquier punto de pellizco posible.

4. Para colocar la vigueta en la posición vertical proceda de la siguiente manera:



¡ADVERTENCIA! Use siempre la máquina rompetroncos en posición vertical cuando corta troncos pesados.

- a. Tire del bloqueo de vigueta horizontal hacia afuera para liberar la vigueta y girarla a la posición vertical.

- b. Para trabar la vigueta en posición vertical, tire del bloqueo de vigueta vertical hacia afuera y gírelo para ajustar la vigueta. Vea la Figura 5-2.

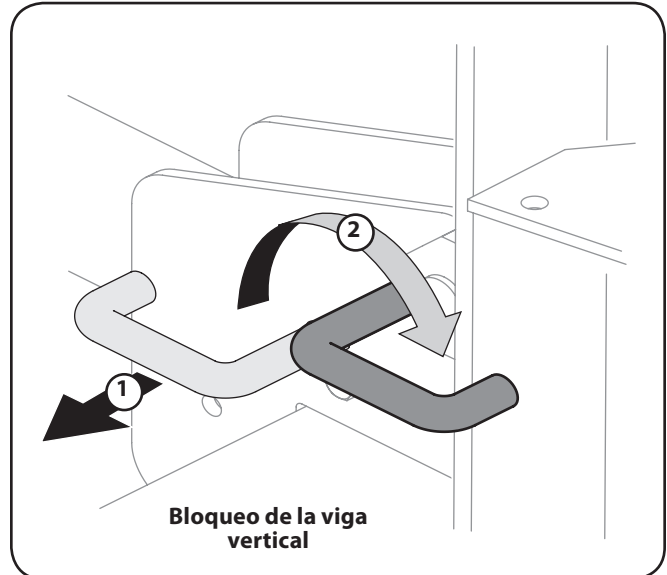


Figura 5-2

5. Para colocar la vigueta en la posición horizontal proceda de la siguiente manera:
 - a. Tire del bloqueo de vigueta vertical hacia afuera y rótelo hacia abajo. Baje la vigueta a la posición horizontal.
 - b. El bloqueo de la vigueta horizontal se traba automáticamente. El bloqueo a resorte encaja a presión en su lugar cuando la vigueta se baja a esta posición. Vea la Figura 5-3.

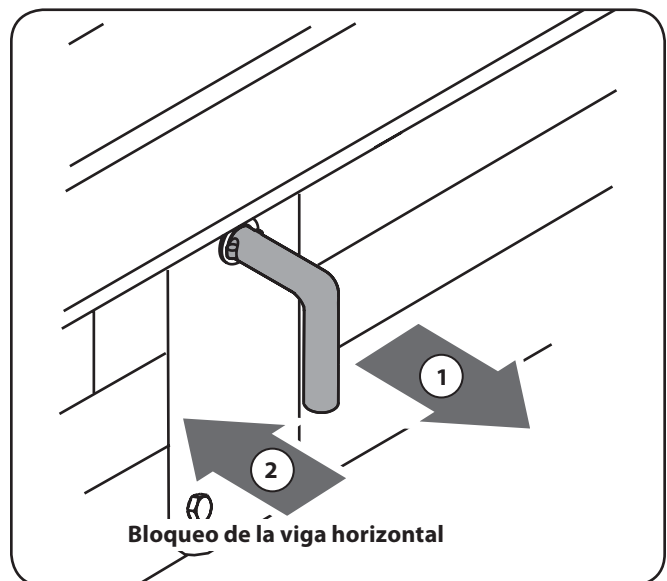


Figura 5-3

Uso de la manija de control

La manija de control tiene tres posiciones. Vea la Figura 5-4.

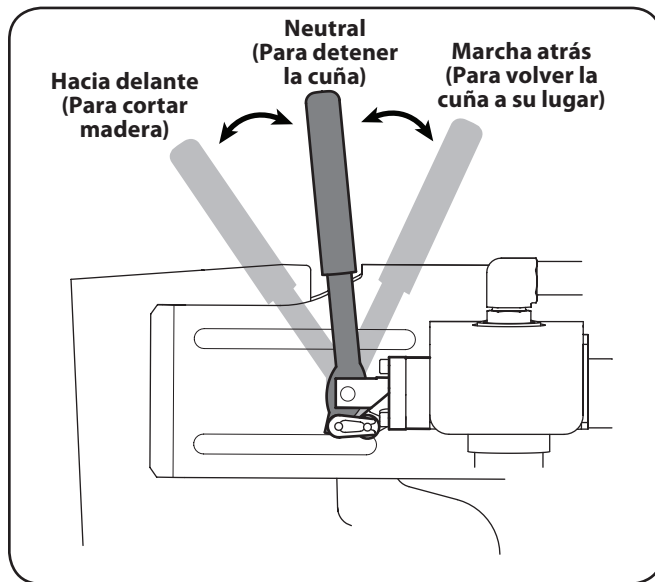


Figura 5-4

- **FORWARD (avance)** — Mueva la manija de control hasta la posición FORWARD (avance) para mover la cuña hacia el tronco que desea cortar.
NOTA: La manija de control vuelve a la posición NEUTRAL inmediatamente después de que la suelte. (Posición Forward (avance) solamente).
- **NEUTRAL** — Suelte la manija de control o coloque la palanca en la posición NEUTRAL para detener el movimiento de la cuña.
- **REVERSE (retroceso)** — Mueva la manija de control hasta la posición REVERSE (retroceso) para regresar la cuña hacia el cilindro. La manija de control permanece en la posición REVERSE (retroceso) y vuelve a la posición NEUTRAL de forma automática cuando se la retrae totalmente. No mantenga la manija en la posición REVERSE (retroceso) cuando se la retrae totalmente.
NOTA: La posición de retroceso también se puede llevar nuevamente de forma manual hasta la posición NEUTRAL, de ser necesario.



¡ADVERTENCIA! Si la manija de control de la máquina rompetroncos no funciona adecuadamente, **INTERRUMPA SU USO DE INMEDIATO** y comuníquese con el distribuidor de servicio autorizado.



¡ADVERTENCIA! No intente darle servicio, repararla ni reemplazar la válvula de control. Comuníquese con un distribuidor de servicio autorizado.



¡ADVERTENCIA! No intente ajustar ni modificar la válvula de control o el sistema hidráulico para alterar sus configuraciones originales o su construcción de ninguna manera.

Cómo cortar madera

1. Ponga en marcha el motor como se indica en el manual del operador del motor que se incluye con la máquina rompetroncos.
2. Coloque el tronco contra la placa del extremo y solamente corte la madera en la dirección de la veta.
3. Para estabilizar el tronco, coloque la mano izquierda en el costado del tronco que está frente a la viga como se indica en la Figura 5-1.



¡ADVERTENCIA! Nunca coloque las manos en los extremos del tronco, entre el tronco o la placa del extremo y la cuña de corte.



¡ADVERTENCIA! Sólo se permite un operador. El adulto que carga y estabiliza el tronco debe ser la persona que opere la manija de control.

4. Mueva la manija de control hasta la posición de avance para cortar la madera.
5. Quite la mano izquierda del costado del tronco después de que la cuña esté justo en contacto con el tronco. Continúe moviendo la manija de control hacia adelante para cortar el tronco.
6. Suelte la manija de control para detener el movimiento de la cuña.
7. Mueva la manija de control hasta la posición de retroceso para que regrese la cuña.
8. Para sacar de la cuña la madera parcialmente cortada, coloque la manija de control en la posición REVERSE (retroceso) hasta que la cuña sea replegada totalmente para permitir que la parte de la madera que está cortada haga contacto con el liberador de madera.
¡ADVERTENCIA! No utilice nunca las manos para sacar de la cuña la madera parcialmente cortada. Los dedos pueden quedar atrapados entre la madera cortada.
9. Una vez extraída de la cuña mediante el uso del liberador de madera, corte madera desde extremo opuesto o en otra ubicación.

Transporte de la máquina rompetroncos

1. Baje la vigüeta a la posición horizontal. Asegúrese de que la vigüeta esté trabada firmemente con el bloqueo de vigüeta horizontal.
2. Retire la abrazadera de resorte y el pasador de horquilla del gato.
3. Sostenga la lengüeta y gire el gato hacia arriba contra la lengüeta. Vea la Figura 5-5.

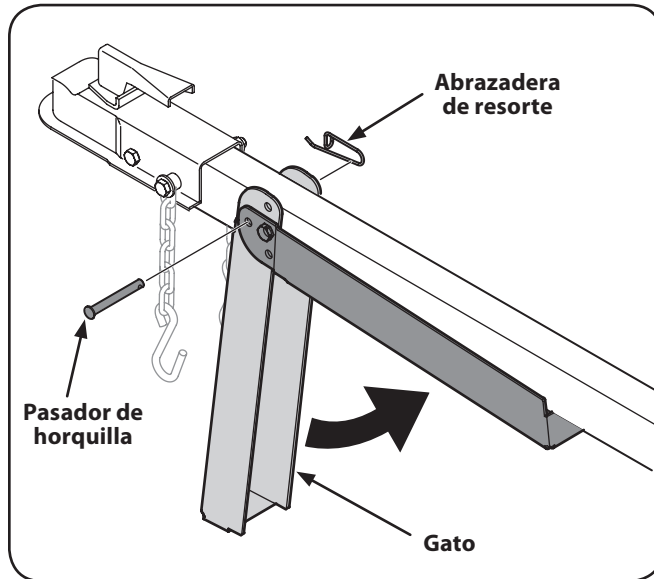


Figura 5-5

4. Fije con la abrazadera de resorte y el pasador de horquilla que retiró previamente. Vea la Figura 5-5.
5. Sujete el enganche acoplador a una bola clase I o superior de 2" en un vehículo de remolque; trábelo firmemente.
 - a. Si el enganche acoplador no se ajusta sobre la bola, gire la tuerca de ajuste un giro en sentido contrario a las agujas del reloj.
 - b. Si el enganche acoplador no se ajusta sobre la bola, gire la tuerca de ajuste un giro en sentido de las agujas del reloj. Luego verifique nuevamente y reajuste según sea necesario.
6. Conecte las cadenas de seguridad al vehículo de remolque.



¡ADVERTENCIA! No remolque a velocidad superior a 45 millas por hora, y verifique los requisitos locales, estatales y federales antes de realizar el remolque en cualquier ruta pública.

NOTA: Sea precavido cuando dé marcha atrás. El uso de un observador fuera del vehículo es recomendable.

Consejos de operación

Siempre:

1. Use líquido limpio y controle el nivel de líquido periódicamente.
2. Use un líquido hidráulico aprobado. Entre los fluidos aprobados se encuentran fluido hidráulico Shell Tellus® S2 M 32, fluido para transmisiones automáticas Dexron® III / Mercon®, aceite hidráulico Pro-Select™ AW-32 o aceite hidráulico 32 grado de viscosidad 10WAW-ISO.
NOTA: Se recomienda no mezclar fluidos.
3. Use un filtro (límpielo o cámbielo regularmente).
4. Use una tapa de respiradero sobre el depósito de líquido.
5. Asegúrese de que la bomba esté montada y alineada adecuadamente.
6. Use un acoplamiento tipo "araña" flexible entre los ejes de accionamiento de la bomba y el motor.
7. Mantenga los tubos limpios y destapados.
8. Purgue el aire de los tubos antes de usarlos.
9. Enjuague y limpie el sistema hidráulico antes de volver a arrancar la máquina después del mantenimiento.
10. Use "lubricante para caños" en todos los accesorios hidráulicos.
11. Deje que el motor se caliente antes de cortar madera.
12. Cebe la bomba antes del arranque inicial, haciendo funcionar el motor con la bujía desconectada (si esto no se realizó en fábrica).
13. Corte la madera únicamente siguiendo la veta (es decir, en sentido longitudinal).

Nunca:

1. Use la máquina cuando el líquido está a temperatura inferior a 20° F o superior a 150° F.
2. Use un acoplamiento de motor/bomba sólido.
3. Opere a través de la válvula de descarga durante más de 5 segundos.
4. Intente regular los valores de la válvula de descarga o de seguridad.
5. Opere si hay aire en el sistema hidráulico.
6. Use cinta de Teflón en los accesorios hidráulicos.
7. Intente cortar la madera en sentido transversal a la veta.
8. Intente utilizar las manos para sacar de la cuña la madera parcialmente cortada. Retraiga totalmente la cuña para liberar la madera con el liberador de madera.



¡ADVERTENCIA! Siempre detenga el motor, desconecte el cable de la bujía y haga masa contra el motor antes de realizar cualquier ajuste. Utilice siempre anteojos de seguridad durante el funcionamiento o mientras ajusta o repara este equipo.

Motor

Consulte el manual de operación del motor embalado con la máquina para ver el mantenimiento del motor.

NOTA: Al vaciar el aceite del motor en esta cortadora de troncos, el escudo de las mangueras de aceite que puede bajar por la estructura y por goteo en las mangueras. Limpie completamente todo el aceite residual de la cortadora de troncos y las mangueras después de completar el servicio.

Presión de los neumáticos

La presión de operación máxima recomendada es 30 psi. Bajo ninguna circunstancia supere la presión en psi recomendada por el fabricante. Mantenga la misma presión en todos los neumáticos.



¡ADVERTENCIA! Una presión excesiva al pisar un reborde puede causar que el montaje de neumático / llanta explote con una fuerza suficiente como para causar lesiones graves. Consulte la pared lateral del neumático para ver la presión recomendada.

Abrazaderas de la manguera

Compruebe las abrazaderas de la manguera de retorno antes de cada uso y comprobar las abrazaderas de la manguera de succión de una vez por temporada.

Filtro hidráulico

Cambie el filtro hidráulico cada 50 horas de funcionamiento. Use únicamente un filtro hidráulico de 10 micrones. Haga el pedido del número de pieza 723-0405.

Vigueta y cuña de corte

Lubrique la tapa, los lados y el fondo de la viga y donde viene en contacto con la cuña que parte con aceite de motor antes de cada uso.

Fluido hidráulico

Revise el nivel de fluido hidráulico en el depósito separador de registro antes de cada uso. Mantener el nivel de fluido dentro del rango especificado en la varilla indicadora.

Cambiar el fluido hidráulico en el depósito de cada 100 horas de funcionamiento. El filtro también se debe cambiar con cada cambio de fluido hidráulico. Siga los pasos a continuación:

1. Colocar un recipiente de recolección de aceite adecuado en el tanque.

2. Si el motor tiene un motor horizontal de configuración se muestra en la Figura 6-1, consulte la Figura 6-1 para cambiar el aceite hidráulico.

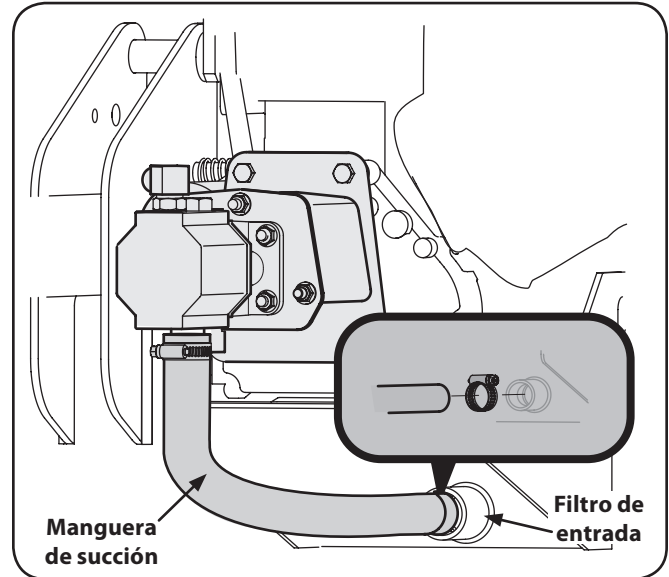


Figura 6-1

3. Si su motor tiene un eje vertical de configuración se muestra en la Figura 6-2, consulte la Figura 6-2 para cambiar el aceite hidráulico.

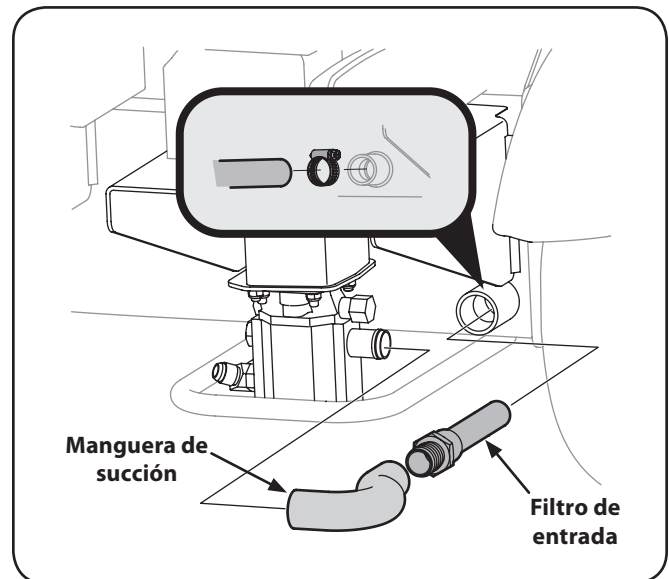


Figura 6-2

4. Desconectar la manguera de aspiración desde la parte inferior del tanque de depósito. Vea la Figura 6-1 para los motores horizontales o Figura 6-2 para los motores verticales.

- Con mucho cuidado desenrosque el filtro de entrada y limpiarlo con aceite penetrante. Vea la Figura 6-3.

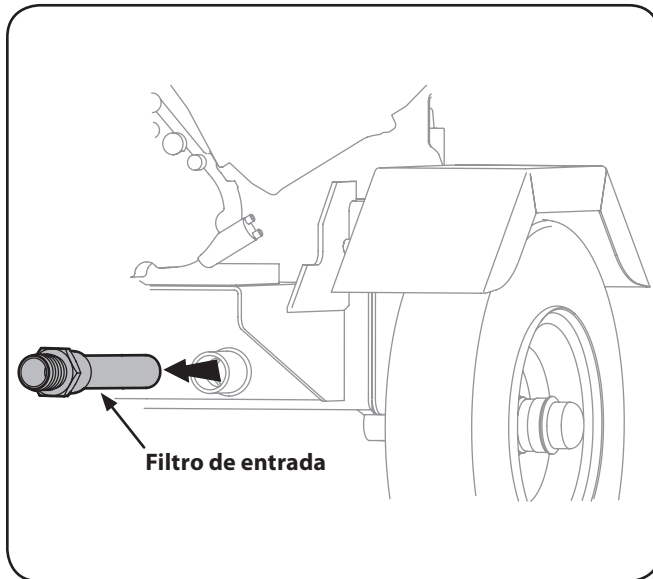


Figura 6-3

- Deje que el líquido drene en un recipiente adecuado.
NOTA: El tanque de almacenamiento tiene una capacidad de 3 galones y todo el sistema hidráulico tiene una capacidad de aproximadamente 4,7 galones.
- Vuelva a instalar el cilindro, mangueras, bombas, filtros y manguera de succión. Apriete las abrazaderas de manguera de 50-60 in-lbs.
- Revise el nivel de fluido con la varilla. No llene en exceso.
NOTA: Aprobado líquidos incluyen Shell Tellus® S2 M 32 de fluidos hidráulicos, Dexron® III/Mercon® líquido de transmisión automática, Pro-Select™ AW-32 Aceite hidráulico o 10WAW grado de viscosidad ISO-32 de aceite hidráulico. No se recomienda que los fluidos se mezclarán.
- Vuelva a colocar la varilla de nivel venteadada firmemente, apretando hasta que la parte superior de la rosca quede al ras con la parte superior de la tubería.
- Desconecte la bujía y cebe la bomba tirando del arrancador de retroceso hasta que haga tope. Repetir unas 10 veces.
- Vuelva a conectar el cable de la bujía y arranque el motor siguiendo las instrucciones en el manual del operador del motor.
- Utilice la palanca de control para acoplarse a la cuña a la posición extendida más lejano. Luego retraiga la cuña.

- Si Rellene el depósito necesario dentro del rango marcado en la varilla. Vea la Figura 6-4.

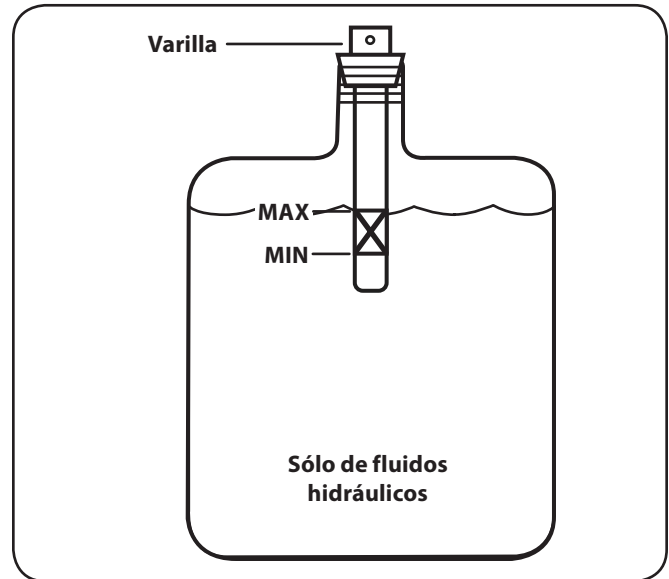


Figura 6-4

- Extender y retirar la cuña de 12 ciclos completos para eliminar el aire atrapado en el sistema (el sistema es "auto-sangrado").



¡ADVERTENCIA! Gran parte de la original de fluido se ha preparado en el cilindro y mangueras. Asegúrese de rellenar el depósito para evitar daños a la bomba hidráulica. Si no se recarga el tanque anulará la garantía del separador de registro.

NOTA: Algunos de líquido puede desbordar de la válvula de ventilación se basa en el sistema de calor y el líquido se expande y busca un nivel equilibrado. No utilice el separador de registro sin la adecuada cantidad de fluido de transmisión en el tanque.

- Mantener el nivel de fluido dentro del rango especificado en la varilla indicadora. Al comprobar el líquido, asegúrese siempre de apretar la varilla medidora hasta la parte superior de la rosca quede al ras con la parte superior de la tubería.
NOTA: Siempre deseche cualquier líquido hidráulico utilizado y el aceite del motor y en los centros de reciclaje autorizados.
- Los contaminantes en el líquido pueden dañar los componentes hidráulicos. Lavado del tanque de depósito y las mangueras con keroseno servicio cada vez que se lleva a cabo en el tanque, se recomienda bomba hidráulica o de la válvula. Póngase en contacto con un distribuidor de servicio autorizado.

Almacenamiento fuera de temporada

Si el rompe troncos no se usa por más de 30 días, prepárelo para su almacenamiento de la siguiente manera:



¡ADVERTENCIA! Nunca almacene la máquina con combustible en el tanque en un área del edificio donde los vapores puedan alcanzar una llama expuesta o chispas, o donde existan fuentes de ignición, tales como calentadores de agua, calefactores de ambientes, hornos, secadoras de ropa, estufas, motores eléctricos, etc.

1. Consulte el manual del operador del motor se embarcó con su cortadora de troncos para obtener información sobre el almacenamiento fuera de temporada del motor.

2. Limpie a fondo la máquina rompe troncos.

NOTA: No se recomienda utilizar una limpiadora a presión o manguera de jardín para limpiar su unidad. Pueden producir daños a los cojinetes o al motor. El uso de agua acortará la vida útil de la máquina y reducirá su capacidad de servicio.

3. Limpie la unidad con un trapo embebido en aceite para evitar la formación de óxido, especialmente en la cuña y la vigueta.

4. Almacénela en un área despejada y seca. No la almacene cerca de productos corrosivos como por ejemplo fertilizantes.

NOTA: Si la almacena en un galpón de depósito mal ventilado o metálico, asegúrese de realizarle un tratamiento anti-oxidante al equipo cubriéndolo con aceite ligero o silicona.

Acoplador flexible de la bomba

El acoplador flexible de la bomba es un inserto de nylon "araña", situado entre la bomba y el eje del motor. Con el tiempo, el acoplador se endurece y se deterioran. Reemplazar el acoplador si detecta la vibración o el ruido procedente de la zona entre el motor y la bomba. Si el acoplamiento falla por completo, usted experimentará una pérdida de poder.

NOTA: En los motores de eje vertical, que se sea necesario recurrir a la eliminación del motor para acceder a los tornillos de cabeza hexagonal que fijan la bomba al eje del motor. Se recomienda tomar la cortadora de troncos a un distribuidor de servicio autorizado.

NOTA: Nunca golpee el eje del motor de ninguna manera, como un golpe puede causar daños permanentes al motor.

1. Desconecte el cable de la bujía y haga masa contra el motor.
2. Retire las tres tuercas de fijación brida y los tornillos hexagonales que fijan la bomba al escudo de acoplamiento. Dos tuercas de la brida y tornillos hexagonales se encuentran en las esquinas inferiores y se encuentra en la parte superior central. Vea la Figura 7-1.

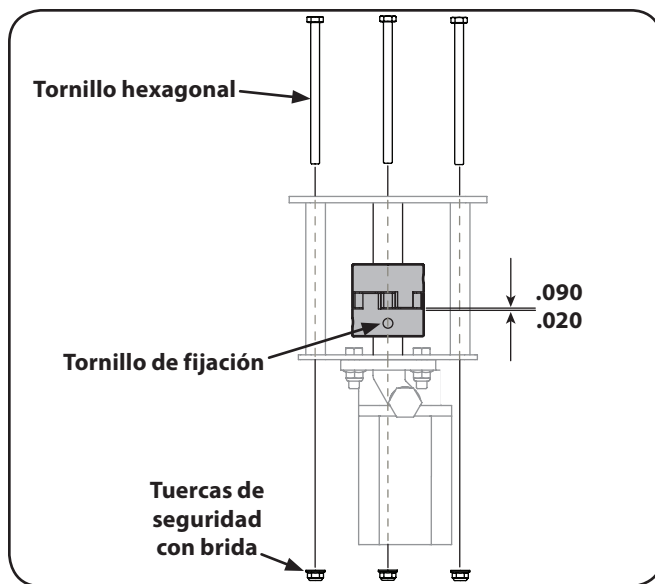


Figura 7-1

3. Retire la bomba.
4. Afloje el tornillo de fijación en el acoplamiento de la mitad de la bomba y retire el medio de acoplamiento.
5. Gire el motor tirando lentamente del mango de arranque hasta que el acoplamiento de tornillo medio motor está en la parte inferior. Afloje el tornillo de fijación con una llave allen y deslice la mitad del acoplamiento del eje del motor.

6. Deslizar el nuevo medio de acoplamiento del motor en el eje del motor hasta que el extremo del eje quede al ras con la parte interior del medio de acoplamiento. (Debe haber espacio entre el extremo de la abrazadera de soporte del motor y el medio de acoplamiento). Apriete el tornillo de fijación.
7. Instale el nylon "araña" en la mitad del acoplamiento del motor.
8. Instale el medio acoplamiento de la bomba y la llave en el eje de la bomba. Gire la mitad de acoplamiento hasta que el tornillo de ajuste hacia abajo. No apriete tornillo de fijación.
9. Alinee el medio acoplamiento de la bomba con el nylon "araña" girando el motor con la palanca de arranque. Deslice el medio acoplamiento en su lugar mientras guía los tres tornillos de fijación a través de los agujeros en el soporte de la bomba.
10. Sujete con las tuercas removidos antes.
11. Establezca .020" a .090" de una liquidación / brecha entre el nylon "araña" y el motor de la mitad del acoplamiento deslizando un calibrador entre el nylon "araña" y la mitad del acoplamiento del motor y mover el medio acoplamiento de la bomba según sea necesario. Instale el tornillo de fijación y el par de 78 pulgadas-libras para asegurar el acoplamiento mitad bomba. Vea la Figura 7-1.

NOTA: Asegúrese de que la adecuada se obtiene liquidación / vacío antes de apretar el tornillo de fijación.
12. Vuelva a conectar la bujía.

Problema	Causa	Solución
La varilla del cilindro no se mueve	<ol style="list-style-type: none"> 1. El eje de accionamiento está roto. 2. Se han dejado los tapones de envío en las mangueras hidráulicas. 3. Los tornillos de fijación del acoplamiento no están ajustados adecuadamente. 4. El acoplamiento del eje está flojo. 5. Hay partes de los engranajes dañadas. 6. La válvula de descarga está dañada. 7. Las tuberías hidráulicas están bloqueadas. 8. El nivel de aceite es incorrecto. 9. La válvula direccional está dañada. 10. La válvula direccional está bloqueada. 	<ol style="list-style-type: none"> 1. Consulte al distribuidor de servicio autorizado. 2. Desconecte las mangueras hidráulicas, retire los tapones colocados para el envío, vuelva a conectar las mangueras. 3. Consulte la Sección de Mantenimiento para corregir el ajuste. 4. Corrija la alineación del motor/la bomba según sea necesario. 5. Consulte al distribuidor de servicio autorizado. 6. Consulte al distribuidor de servicio autorizado. 7. Enjuague y limpie el sistema hidráulico. 8. Revise el nivel de aceite. 9. Consulte al distribuidor de servicio autorizado. 10. Enjuague y limpie el sistema hidráulico.
Velocidad lenta del eje del cilindro durante la extensión o retracción.	<ol style="list-style-type: none"> 1. Hay partes de los engranajes dañadas. 2. Vacío excesivo en la entrada de la bomba. 3. Velocidad del motor lenta. 4. La válvula de descarga está dañada. 5. El nivel de aceite es incorrecto. 6. El aceite está contaminado. 7. La válvula direccional tiene pérdidas internas. 8. El cilindro está dañado internamente. 	<ol style="list-style-type: none"> 1. Consulte al distribuidor de servicio autorizado. 2. Asegúrese de que las mangueras de entrada de la bomba estén despejadas y sin bloqueos; use mangueras de entrada cortas, de diámetro grande. 3. Consulte al distribuidor de servicio autorizado. 4. Consulte al distribuidor de servicio autorizado. 5. Revise el nivel de aceite. 6. Vacíe el aceite, limpie el depósito y vuelva a llenarlo. 7. Consulte al distribuidor de servicio autorizado. 8. Consulte al distribuidor de servicio autorizado.
Cilindro con pérdidas	<ol style="list-style-type: none"> 1. Juntas gastadas. 2. Cilindro ranurado. 	<ol style="list-style-type: none"> 1. Consulte al distribuidor de servicio autorizado. 2. Consulte al distribuidor de servicio autorizado.

Problema	Causa	Solución
La madera no se parte o se divide la madera con demasiada lentitud	<ol style="list-style-type: none"> 1. La sección de engranajes pequeños está dañada. 2. La válvula de retención de la bomba tiene pérdidas. 3. Vacío excesivo en la entrada de la bomba. 4. El nivel de aceite es incorrecto. 5. El aceite está contaminado. 6. La válvula direccional tiene pérdidas internas. 7. Sobrecarga de cilindro. 8. El cilindro está dañado internamente. 	<ol style="list-style-type: none"> 1. Consulte al distribuidor de servicio autorizado. 2. Consulte al distribuidor de servicio autorizado. 3. Asegúrese de que las mangueras de entrada estén despejadas y sin bloqueos. 4. Revise el nivel de aceite. 5. Vacíe el aceite, limpie el depósito y vuelva a llenarlo. 6. Consulte al distribuidor de servicio autorizado. 7. No intente cortar madera en sentido transversal a la veta. 8. Consulte al distribuidor de servicio autorizado.
La junta del eje de la bomba pierde	<ol style="list-style-type: none"> 1. El eje de accionamiento está roto. 2. Alineación incorrecta del motor/la bomba. 3. Hay partes de los engranajes dañadas. 4. La junta del eje no está bien posicionada. 5. Respiradero de aceite tapado. 	<ol style="list-style-type: none"> 1. Consulte al distribuidor de servicio autorizado. 2. Corrija la alineación según sea necesario. 3. Consulte al distribuidor de servicio autorizado. 4. Consulte al distribuidor de servicio autorizado. 5. Asegúrese de que el depósito tenga ventilación adecuada.
Cuña continúa moviéndose hacia delante cuando se suelta el mango de control	<ol style="list-style-type: none"> 1. Válvula de control dañados. 	<ol style="list-style-type: none"> 1. Consulte al distribuidor de servicio autorizado.
Mango de control no vuelve a la posición neutral cuando se libera de la posición hacia delante	<ol style="list-style-type: none"> 1. El aceite hidráulico demasiado frío. 2. El líquido hidráulico a grueso. 3. El aceite hidráulico contaminados. 4. Válvula de control dañados. 	<ol style="list-style-type: none"> 1. Caliente el motor. 2. Vuelva a colocar de fluido hidráulico. 3. Vuelva a colocar de fluido hidráulico. 4. Ver proveedor de servicio autorizado.

GARANTÍA LIMITADA DEL FABRICANTE PARA



La siguiente garantía limitada es otorgada por Troy-Bilt LLC con respecto a nuevos productos adquiridos y utilizados en Estados Unidos y/o sus territorios y posesiones, y por MTD Products Limited con respecto a nuevos productos adquiridos y utilizados en Canadá y/o sus territorios y posesiones (cualquiera de las dos entidades, respectivamente, "Troy-Bilt").

Esta garantía es adicional a la garantía de emisiones aplicables proporcionada con el producto.

"Troy-Bilt" garantiza este producto (excluidas *las Piezas y Accesorios con Desgaste Normal* según se describe más abajo) contra defectos en los materiales y mano de obra por un período de dos (2) años a partir de la fecha de compra original y, a su opción, reparará o reemplazará, sin costo alguno, cualquier pieza que presente defectos en los materiales o de mano de obra. Esta garantía limitada sólo se aplicará si el producto ha sido operado y mantenido de acuerdo con las instrucciones del Manual del Operador que se proporciona con el producto y no ha sido sujeto a uso inapropiado, abuso, uso comercial, abandono, accidente, mantenimiento incorrecto, alteración, vandalismo, robo, incendio, inundación o algún daño debido a otro peligro o desastre natural. El daño resultante por la instalación o el uso de piezas, accesorios o aditamentos no aprobados por Troy-Bilt para su uso con el(los) producto(s) incluido(s) en este manual anulará la garantía en lo que respecta a esos daños.

Se garantiza que *las Piezas con Desgaste Normal* están libres de defectos en los materiales y mano de obra por un período de treinta (30) días a partir de la fecha de compra. Las piezas sujetas a desgaste normal incluyen pero no se limitan a: baterías, correas, cuchillas, adaptadores para cuchillas, dientes, bolsas para pasto, ruedas, ruedas para la plataforma de la podadora tractor, asientos, zapatas antideslizantes, ruedas de fricción, placas de raspado, gomas helicoidales y neumáticos.

Accesorios — Troy-Bilt garantiza que los accesorios de este producto están libres de defectos de material y mano de obra durante un período de un (1) año a partir de la fecha de compra o arrendamiento original del accesorio. Los accesorios incluyen, pero no se limitan a elementos tales como: colectores de césped y kits para abono.

CÓMO SOLICITAR Y OBTENER SERVICIO TÉCNICO: El servicio de la garantía está disponible, CON COMPROBANTE DE COMPRA, a través de su distribuidor local autorizado para el mantenimiento. Para localizar al distribuidor de su zona:

En Estados Unidos de América

Consulte las páginas amarillas, o póngase en contacto con Troy-Bilt LLC en P.O. Box 361131, Cleveland, Ohio 44136-0019, llame al 1-866-840-6483, o visite nuestro sitio web en www.troybilt.com.

En Canadá

Póngase en contacto con MTD Products Limited, Kitchener, ON N2G 4J1, llame al 1-800-668-1238 ó visite nuestro sitio web en www.mtdcanada.com.

Esta garantía limitada **no** suministra cobertura en los siguientes casos:

- El motor o las piezas que lo componen. Estos productos pueden tener garantía del fabricante por separado. Consulte los términos y condiciones de la garantía aplicable del fabricante.
- Las bombas, válvulas y cilindros del rompetroncos tienen una garantía separada de un año.

- Los artículos necesarios para el mantenimiento de rutina como por ejemplo lubricantes, filtros, afiladores de cuchillas, sincronización del motor, los ajustes de los frenos, del embrague o de la plataforma y el deterioro normal del acabado exterior debido al uso o exposición.
- Mantenimiento no realizado por el distribuidor de servicio autorizado.
- Troy-Bilt no extiende ninguna garantía para los productos vendidos o exportados fuera de los Estados Unidos de América y/o Canadá, y sus respectivas posesiones y territorios, excepto para aquellos vendidos a través de los canales autorizados de distribución de exportaciones de Troy-Bilt.
- Piezas de reemplazo que no son piezas originales de Troy-Bilt.
- Gastos de transporte y visitas técnicas.
- Troy-Bilt no garantiza este producto para uso comercial.

No existe ninguna garantía implícita, incluyendo cualquier garantía implícita de comerciabilidad o adaptabilidad para un propósito en particular, una vez transcurrido el período aplicable de garantía escrita según lo antedicho en relación con las piezas identificadas. Ninguna otra garantía expresa, ni oral ni escrita, excepto la mencionada anteriormente, extendida por personas reales o jurídicas, incluidos los distribuidores o los minoristas con respecto a cualquier producto, obligará a Troy-Bilt. Durante el plazo de la garantía el único recurso es la reparación o reemplazo del producto como se indicó anteriormente.

Las disposiciones de esta garantía cubren el recurso de reparación única y exclusiva que surge de la venta. Troy-Bilt no se hará responsable de ninguna pérdida o daño incidental o resultante, incluyendo sin limitación, los gastos incurridos para los servicios de mantenimiento del césped, o los gastos de arrendamiento para reemplazar de manera transitoria un producto bajo garantía.

Algunos estados no permiten la exclusión o limitación de los daños y perjuicios incidentales o directos, o las limitaciones sobre la duración de las garantías implícitas, por lo que las exclusiones o limitaciones mencionadas anteriormente pueden no ser de aplicación.

En ningún caso se obtendrá una compensación de ningún tipo por un monto mayor al precio de compra del producto vendido. **La alteración de las características de seguridad del producto anulará esta garantía.** Usted asume el riesgo y la responsabilidad de las pérdidas, daños o lesiones que sufran usted y sus bienes y/u otras personas y sus bienes como resultado del uso incorrecto o de la falta de capacidad para usar este producto.

Esta garantía limitada cubre solamente al comprador original, o a la persona que recibió el producto de regalo.

CÓMO SE RELACIONA LA LEGISLACIÓN ESTATAL CON ESTA

GARANTÍA: Esta garantía limitada le otorga derechos legales específicos y usted también puede tener otros derechos que varían de un estado a otro.

IMPORTANTE: El propietario debe presentar comprobante de compra original para obtener la cobertura de la garantía.

**Troy-Bilt LLC, P.O. BOX 361131 CLEVELAND, OHIO 44136-0019, Teléfono: 1-866-840-6483, 1-330-558-7220
MTD Canada Limited - KITCHENER, ON N2G 4J1; teléfono 1-800-668-1238**

Free Manuals Download Website

<http://myh66.com>

<http://usermanuals.us>

<http://www.somanuals.com>

<http://www.4manuals.cc>

<http://www.manual-lib.com>

<http://www.404manual.com>

<http://www.luxmanual.com>

<http://aubethermostatmanual.com>

Golf course search by state

<http://golfingnear.com>

Email search by domain

<http://emailbydomain.com>

Auto manuals search

<http://auto.somanuals.com>

TV manuals search

<http://tv.somanuals.com>