



Radiant Gas Fireplaces



Direct Vent Gas Insert
Model 739DVN (Natural Gas)
Model 739DVP (Propane Fuel)

Installation and Owner's Manual

INSTALLER: Leave this manual with the appliance.
CONSUMER: Retain this manual for future reference.

Table with 2 columns: FOR YOUR SAFETY and PLEASE READ THESE INSTRUCTIONS CAREFULLY BEFORE INSTALLING AND OPERATING THE APPLIANCE. Contains safety warnings and instructions.

This appliance may be installed in an aftermarket permanently located, manufactured (mobile) home, where not prohibited by local codes. This appliance is only for use with the type of gas indicated on the rating plate. This appliance is not convertible for use with other gases, unless a certified kit is used.

Made in Canada by Miles Industries Ltd.
190-2255 Dollarton Highway, North Vancouver, BC, Canada V7H 3B1
www.milesfireplaces.com

4000072-14
©2007, Miles Industries Ltd. All rights reserved.



# Table of Contents

<b>Introduction .....</b>	<b>3</b>
<b>Appliance Dimensions .....</b>	<b>4</b>
<b>Safety Information .....</b>	<b>5</b>
<b>Specifications.....</b>	<b>7</b>
<b>Planning.....</b>	<b>8</b>
<b>Clearances.....</b>	<b>9</b>
<b>Venting .....</b>	<b>11</b>
<b>Pack Contents .....</b>	<b>13</b>
<b>Appliance Preparation.....</b>	<b>15</b>
<b>Remote Control Preparation .....</b>	<b>16</b>
<b>Gas Supply .....</b>	<b>17</b>
<b>Panel Installation .....</b>	<b>18</b>
<b>Log Installation .....</b>	<b>19</b>
<b>Burner &amp; Pilot Operation.....</b>	<b>21</b>
<b>Window Refitting.....</b>	<b>21</b>
<b>Trim Installation .....</b>	<b>22</b>
<b>Final Checks.....</b>	<b>23</b>
<b>Operational Warnings.....</b>	<b>24</b>
<b>Lighting Instructions .....</b>	<b>25</b>
<b>Maintenance .....</b>	<b>26</b>
<b>Programmable Remote Control.....</b>	<b>28</b>
<b>Venting Options .....</b>	<b>30</b>
<b>Warranty.....</b>	<b>31</b>

The information contained in this installation manual is believed to be correct at the time of printing. Miles Industries Ltd. reserves the right to change or modify any information or specifications without notice. Miles Industries Ltd. grants no warranty, implied or stated, for the installation or maintenance of your heater, and assumes no responsibility for any consequential damage(s).

# Introduction

Thank you for purchasing the Valor 739 Direct Vent insert. This high quality unit is specifically designed to be used where installations are restricted by the size of the fireplace. It is our goal to satisfy every Valor customer. This owner's manual explains the steps required to safely assemble, install, operate, and maintain your new appliance.

## Options

The model 739 base unit is supplied equipped for use with either natural gas 739DVN or propane fuel 739DVP.

## Appliance Styles

Standard metal front, black	Kit #741SFB
Cast iron front, black	Kit #742CFB
FenderFire Double Doors Front	Kit #743FVI
FenderFire Single Door Front	Kit #744FVI

## Optional Outer Trims

3-sided Contour Trim Kit	Kit #746
3-sided Deluxe Trim Kit	Kit #747
4-sided Contour Trim Kit	Kit #748
4-sided Deluxe Trim Kit	Kit #749

## Additional Optional Features

### Circulating Fan Kit #755CFK

Variable speed and temperature control. It is designed to boost the natural convection process through the appliance. It may be fitted before the fireplace is installed or retrofitted at a later date.

### Natural Gas Conversion Kit #608NGK

For conversion from propane to natural gas. Intended primarily for post-installation conversion in areas where natural gas was not available at the time of initial installation.

## Venting Options

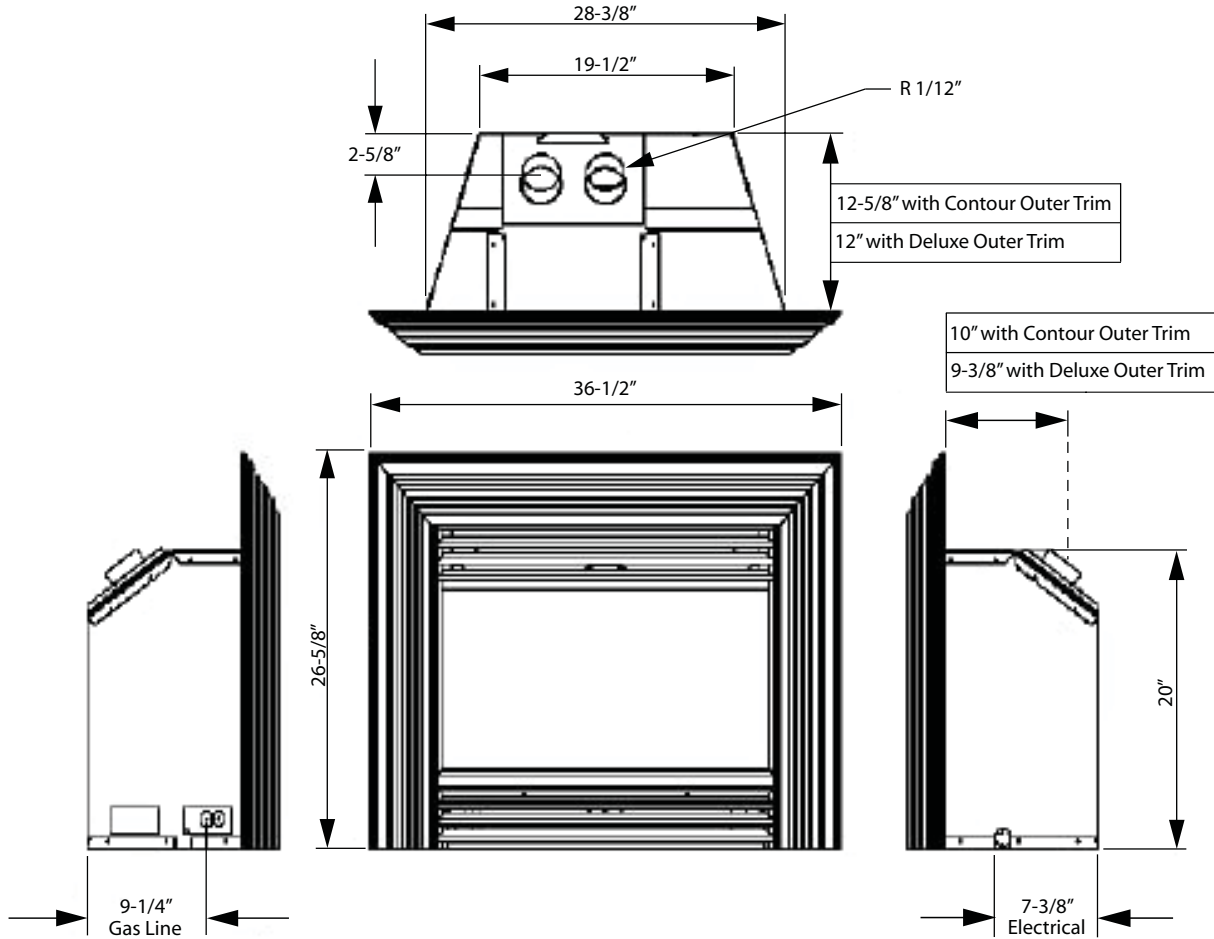
### Direct Vent Installations

One or more of the accessories listed on page 30 must be used for each installation. See vent installation section for details..

# Appliance Dimensions

See section on installation for details regarding clearances and mantel height allowances.

## Appliance Dimensions



\*\* See Page 9 for clearance information \*\*

## Safety Information

If this appliance is not properly installed, a house fire or explosion may result. For your safety, follow the installation directions. Contact local building or fire officials about restrictions and installation requirements in your area. Please read this entire manual before you install and use your new appliance. Failure to follow instructions may result in property damage, bodily injury or death.

Safe installation and operation always require common sense. We are also required by Canadian and ANSI safety standards to point out the following:

Installation and repair should be done by a qualified service person. The appliance should be inspected before use and at least annually by a professional service person. More frequent cleaning may be required due to excessive lint from carpeting, bedding material, et cetera.

Clothing or other flammable materials should not be placed on or near the appliance.

Any safety screen or guard removed for servicing of a room heater must be replaced prior to operating the appliance.

It is imperative that control compartments, burners and circulating air passageways of the appliance are kept clean.

The flexible cord provided must be connected to a line voltage electrical supply.

Due to high temperatures, the appliance should be located out of traffic and away from furniture and draperies.

Never vent the appliance into other rooms or buildings. The appliance must be vented only to the outside.

Do not use this heater if any part has been under water. Immediately call a qualified service technician to inspect the heater and to replace any part of the control system and any gas control which has been under water.

This appliance must not be connected to a chimney flue serving a separate solid-fuel burning appliance.

The appliance area must be kept free from combustible materials, gasoline and other flammable vapors and liquids.

Children and adults should be alerted to the hazards of high surface temperatures and should stay away to avoid burns or clothing ignition.

Young children should be carefully supervised when they are in the same room as the appliance.

Provision for adequate combustion and ventilation air must be provided.

**! WARNING**



HOT GLASS WILL CAUSE BURNS.  
DO NOT TOUCH GLASS UNTIL COOLED.  
NEVER ALLOW CHILDREN TO TOUCH GLASS.



We recommend that our gas hearth products be installed and serviced by professionals who are certified in the United States by NFI (National Fireplace Institute®).

# Safety Information

**NOTE: Always allow adequate clearance around air openings into the combustion chamber and maintain accessibility clearances for servicing and proper operation.**

## 2.1 General Safety (Home Owner)

**Cleaning.** To clean the appliance, make sure it is off and cold. Then remove the logs and use a vacuum to clean the burner and air openings in the bottom and back of the appliance. Replace the logs.

**Fire Extinguisher.** Every home should have at least one fire extinguisher. An approved Class A-B-C extinguisher should be mounted on the wall near an exit and close to the appliance, but not so close that accessibility to the extinguisher could be blocked by a fire. Your local Fire Department can advise you concerning the most appropriate location.

### Smoke Detectors & Carbon Monoxide

**Detectors.** Install at least one smoke detector on each floor of your home to ensure your safety. It should be located away from the gas appliance and close to the sleeping areas. Follow the smoke detector manufacturer's placement installation and maintenance instructions. Your local Fire Department may provide assistance in selecting smoke detectors and carbon monoxide detectors. It is strongly recommended, for your family's protection, that a carbon monoxide detector be placed in all homes that utilize gas in any form.

## 2.2 Safety for the Installer

- Wear gloves and safety glasses for protection.
- Exercise extreme caution when using ladders or when on rooftops.
- Be aware of electric wiring locations in walls and ceilings.
- Use a back support when doing any heavy lifting.

## 2.3 Vent Safety

Venting must be installed according to local codes and good venting practices.

## 2.4 Electrical Code

These appliances, when installed, must be electrically grounded in accordance with local codes or, in the absence of local codes, with the *National Electrical Code, ANSI/NFPA 70* or the *Canadian Electrical Code, CSA C22.1*.

## 3.1 Planning Your Installation

Please note the following key points regarding the location of your appliance:

- A sufficient gas pressure is required to supply the unit with a minimum inlet pressure.
- Allow adequate accessibility clearances for servicing and proper operation.
- Allow adequate clearance to combustibles and around air openings for combustion.
- A suitable power outlet is required to provide power when fitted with a fan.

## 3.2 Listing and Codes

The Valor model 739 is listed and certified for installation in the U.S.A. and Canada under the following standards:

- ANSI Z21.88-2005 / CSA 2.33-2005 *Vented Gas Fireplace Heaters*.
- CAN/CGA-2.17-M91, *Gas-Fired Appliances for Use at High Altitudes*.

## 3.3 Installation Codes

This appliance must be installed in accordance with local codes if any or, in the absence of local codes, follow the *National Fuel Gas Code, ANSI Z223.1* or *Natural Gas and Propane Installation Code, CAN 1-B149*.

## 3.4 High Altitude Installation

When installing this appliance over 4,500 ft. (1,372 m) above sea level in Canada, the appliance must be properly de-rated and installed according to local codes; in the absence of local codes, it must be installed in accordance with CAN/CGA-B149. In the US, for installations above 2,000 ft., the appliance must be installed in accordance with the current *National Fuel Gas Code, ANSI Z223.1/ NFPA 54*.

# Specifications

Note: Always check appliance label for correct information

<b>MODEL 739</b>	<b>Natural Gas (NG)</b>	<b>Propane (LPG)</b>
Manifold pressure	3.95 in. w.c. (0.98 kPa)	9.5 in. w.c. (2.37 kPa)
Min. supply pressure for purpose of input adjustment	5.0 in. w.c. (1.25 kPa)	11.0 in. w.c. (2.75 kPa)
Max. supply pressure for purpose of input adjustment	10.5 in. w.c. (2.6 kPa)	14.0 in. w.c. (3.5 kPa)
Orifice size	Bray CAT 82–650	Bray CAT 92–260
Maximum input rating	24,000 BTU/hr	24,000 BTU/hr
High altitude (US)	0–2,000 ft. (0–610 m) US	0–2,000 ft. (0–610 m) US
High altitude (Canada)	0–4,500 ft. (0–1,372 m) Can	0–4,500 ft. (0–1,372 m) Can
Electrical rating	120 V.A.C. System	120 V.A.C. System
Circulating fan	Variable Speed	Variable Speed
Vent system	3" approved flex	3" approved flex
Log set	Ceramic (6–Piece)	Ceramic (6–Piece)

# Planning

## 5.1 Forward Planning

We recommend the following steps for installation.

1. Familiarize yourself with this manual.
2. Check the minimum install dimensions and vent installation.
3. Check your local install codes.
4. Check that you have all the parts and components necessary to complete the installation.
5. Check that the gas and electrical supplies are ready.
6. Prepare opening (clean chase, level base, etc.).
7. Install vent.
8. Install base unit and connect vent.
9. Install optional fan.
10. Connect gas and electrical supplies.
11. Install operational components and prepare for first test fire.
12. Check operation of unit.
13. Fit surround (optional) and front kit.
14. Take time to explain the operation of the appliance to the customer (most call backs are caused because the customer does not understand the operation of the unit).

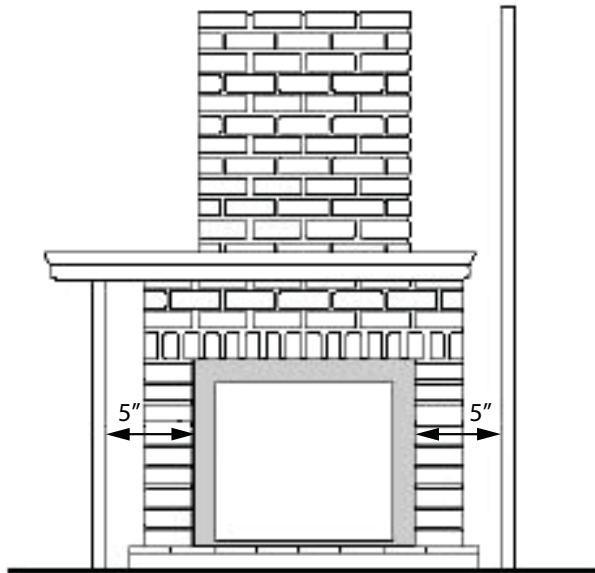
**NOTE:** THIS APPLIANCE MAY ONLY BE INSTALLED IN A SOLID-FUEL BURNING FIREPLACE WITH A WORKING FLUE AND CONSTRUCTED OF NON-COMBUSTIBLE MATERIAL.



# Clearances

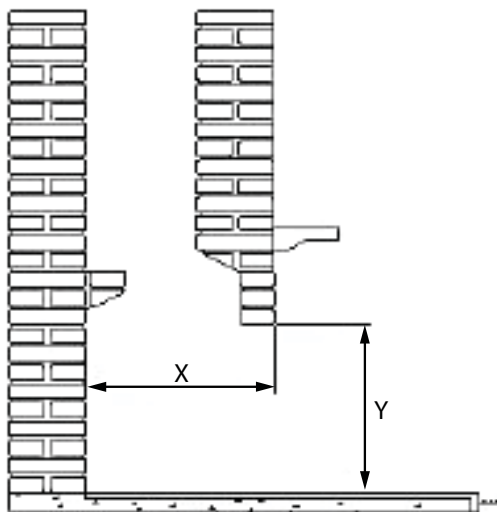
## 6.1 Existing Fireplace (Masonry or Factory-Built)

The model 739 is intended for installation into masonry or listed factory-built fireplaces. Masonry fireplaces must be built according to the requirements of the standards for chimneys, fireplaces, vents and solid-fuel burning appliances, NFPA 211 (Latest Edition) or the applicable national, provincial, state or local codes. The section 6.2 shows the minimum install dimensions for the model 739.



Distance from unit (engine) to combustible wall

Note: The model 739 is certified without requiring a hearth projection, although local codes may require a minimum hearth projection.



Check that masonry step does not interfere with install dimensions or vent pipe.

If mantel is combustible see section 6.2 for allowable clearances.

Minimum width of fireplace opening at front = 28"

X = 12-5/8" for Contoured Outer Trims

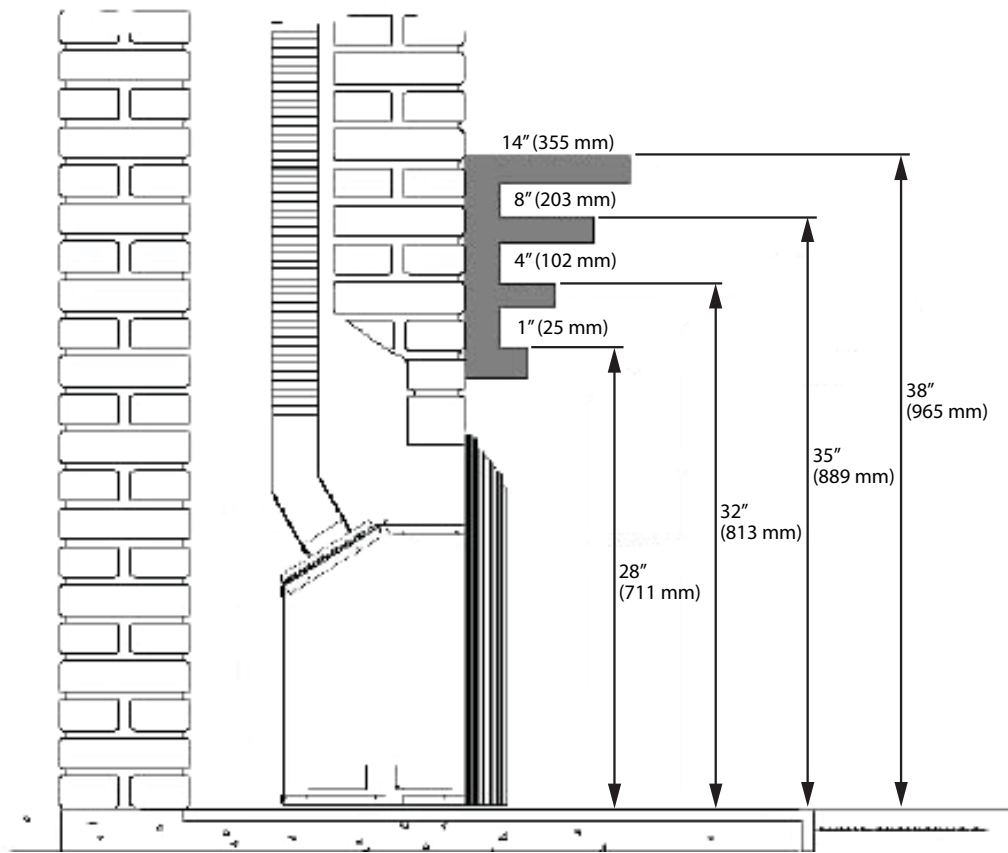
X = 12" for Deluxe Outer Trims

Y = 20"

# Clearances

## 6.2 Combustible Mantel Clearance

Figure below shows minimum clearances to combustible mantles.



Note: Measure taken from underside of mantel to finished floor surface that the unit is sitting on.

## 6.3 Finishing Materials

**Combustible materials:** Material such as wood, compressed paper, plant fibers, plastics or any material capable of igniting and burning, whether flame-proofed or not, plastered or un-plastered.

**Non-Combustible Material:** Material such as steel, iron brick, tile, concrete or materials that bear the UL mark for zero (0) fire rating.

# Venting

## 7.1 Vent Location

The vent terminal must be located through the roof.

This direct vent appliance is designed to operate when an undisturbed airflow hits the outside vent terminal from any direction.

Check local codes for allowable vertical vent termination.

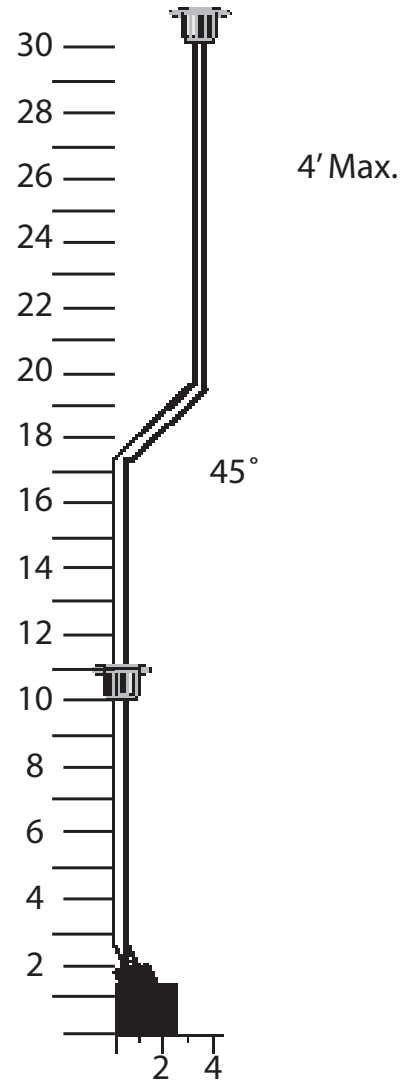
## 7.2 Venting Chart

Maximum vertical height	30 ft. (measured to bottom of termination)
Minimum vertical height	10 ft (measured to bottom of termination)
Maximum horizontal run	4 ft. (measured center to center of pipe)
Maximum offset angle	45° (sweeping bend to allow for obstructions)

## Venting Notes

Where possible, avoid joining flex pipes. If joints are required, use the Dura-Vent 923F connector and seal joints with *RTV high temp sealant*.

Four ft. horizontal is permissible to allow for routing around masonry projections. Do not bend flex pipe over a 45° radius.



Horizontal Run (Feet) Max. 4'

# Venting

## 7.3 Vent Installation

**IMPORTANT:** This appliance's venting system is room sealed, which means that there should be no provision to allow room air to be used in the combustion process.

Note: Use only 3" flex venting materials approved for masonry installations.

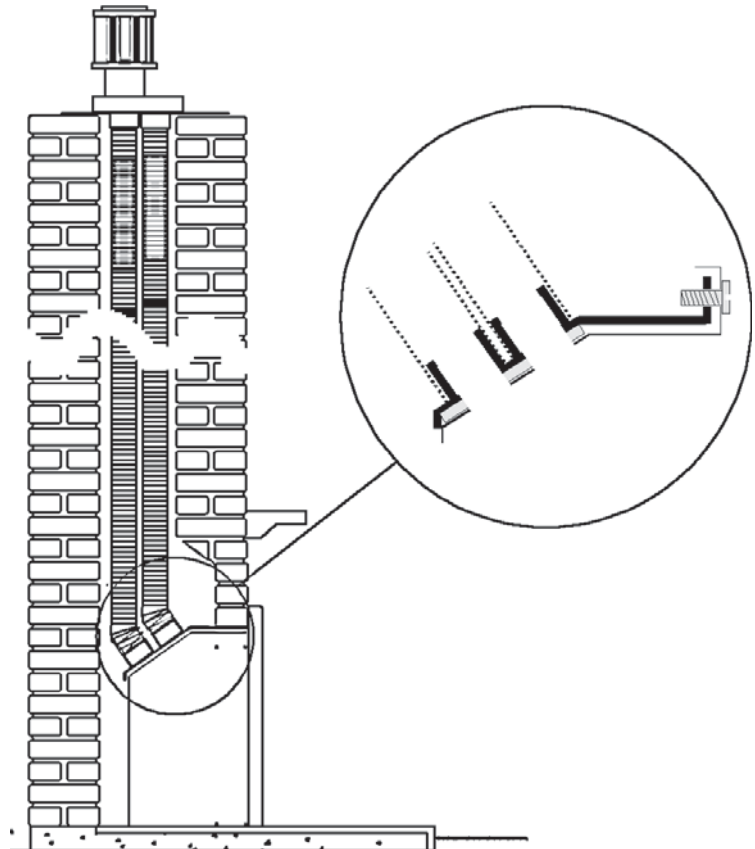
### Planning Your Vent Installation

This type of direct vent system may only terminate in the following way:

Vertical termination using a *Dura-Vent* 3" adapter and cap (see Vent parts list). There are limitations to the vertical and/or horizontal lengths (see page 11 for venting chart).

When calculating the length of the vent pipe from the outlet of the appliance to termination, allow for any offsets in the chase and sufficient vertical height above the roof.

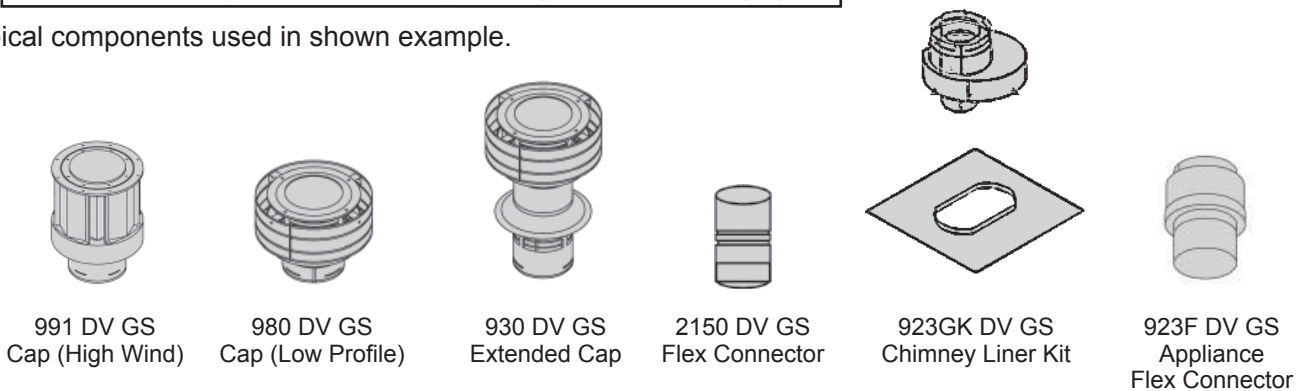
1. Apply RTV sealant to the appliance's vent pipe and slide over the air intake and exhaust pipes.
2. Secure using the 8 self-tapping screws provided (4 per flex pipe).
3. Slide the unit into the opening, taking care not to damage the liner (allow enough slack for final surround assembly).
4. At the top of the chimney, slide the connector plate over the 2 flex liners.
5. Attach the termination cap to the flex pipes using the 8 screws provided.
6. Seal the connector plate to the chimney (fire cement).



Note: Inspect vent connection before installing the trim surrounds.

**WARNING:** Failure to position the parts in accordance with these diagrams or failure to use only parts specifically approved with this appliance may result in property damage or personal injury.

Typical components used in shown example.



## Pack Contents

### **#739DVN or #739DVP Engine Unit**

- 1 Appliance engine unit fitted with window
- 1 Ceramic log pack (contains 6 pieces)
- 1 Ceramic brick pack (contains 3 pieces)
- 1 Remote control kit (handset, receiver and wires)
- 4 1.5 V AA batteries
- 1 9 V battery
- 2 Side shroud mounting brackets
- 1 Top shroud mounting bracket
- 1 Gas inlet pipe connection adapter
- 1 Rear log support
- 8 #8 screws
- 3 Cable clips

### **#741SFB Standard Fronts (Alternative)**

- 1 Frame and upper louver unit
- 1 Lower louver unit

### **#742CFB Cast Iron Front (Alternative)**

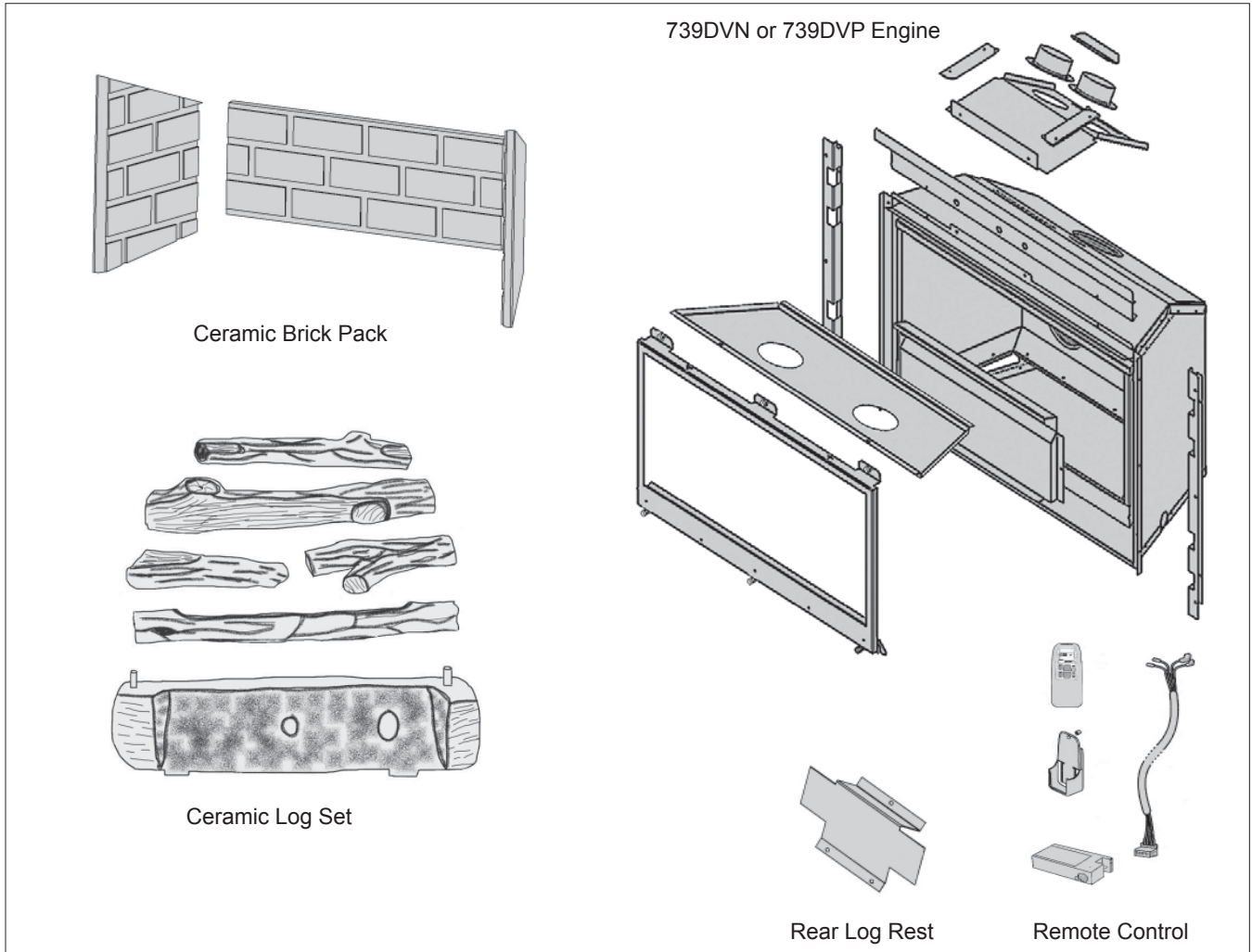
- 1 Top casting unit
- 1 Bottom casting unit

### **#755CFK Circulating Fan Kit (Additional option)**

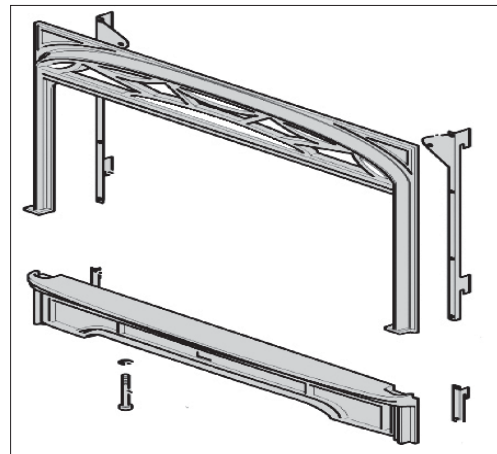
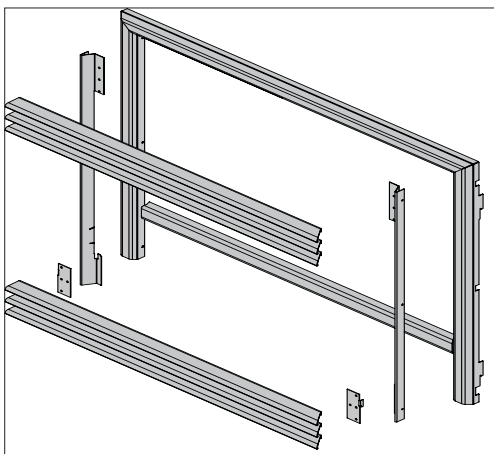
Details are with the kit.

Take care when removing the contents from the packaging to prevent damage. Check that all the contents are in the packs and are undamaged.

# Pack Contents



## Engine Pack



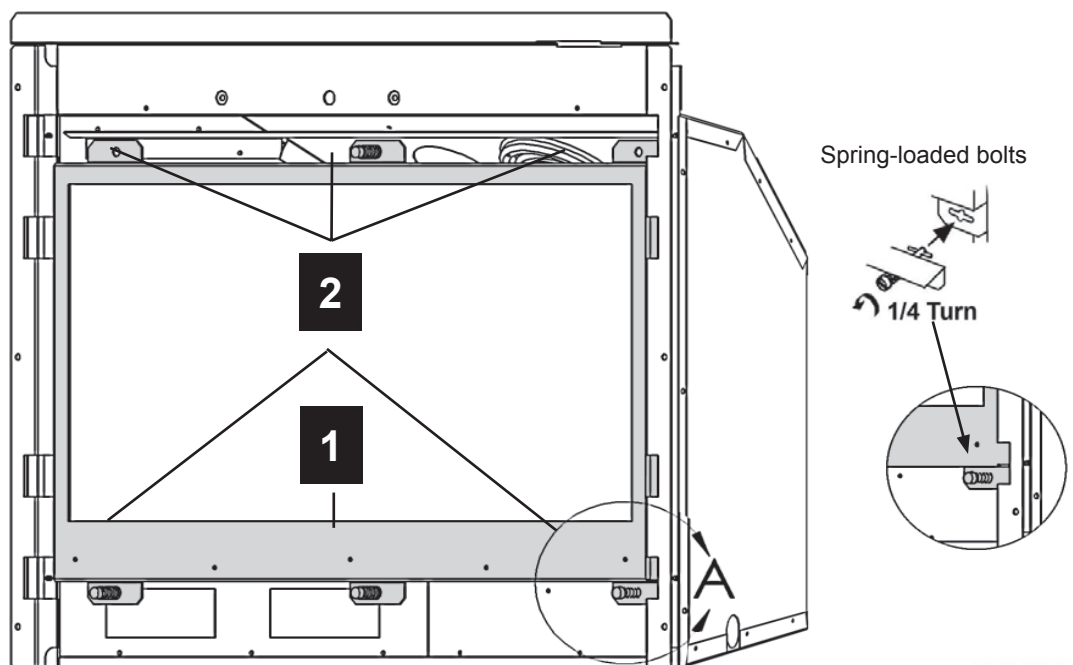
## Appliance Preparation

**CAUTION:** Do not abuse the appliance's glass by striking, slamming or similar trauma. Do not use the appliance with the window removed, glass panel cracked or broken. Only use glass approved for use with this heater. Do not use substitute materials. Replacement of the panel should only be carried out by a licensed qualified service person.

Do not remove the window when the appliance is hot. Not only is it dangerous but it could cause damage to the gasket.

### 9.1 Window Removal

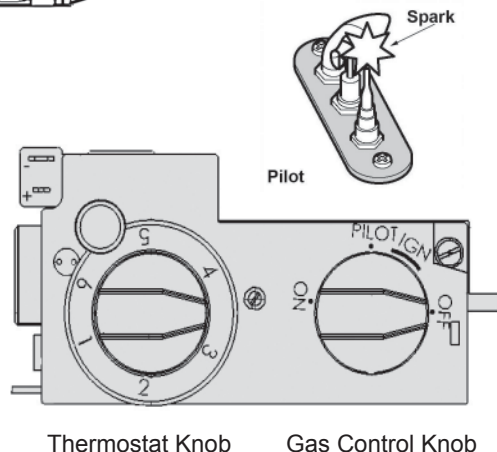
- Remove the bottom center spring-loaded bolt.
- Turn the 5 remaining spring-loaded bolts 90 degrees to release the window from the firebox.
- Carefully lift the window away and put aside in a safe location to avoid damage.
- To reinstall, follow the instructions given in the section Window Refitting on page 21.



### 9.2 Ignition Spark Check

The pilot burner and electrode unit are at the left end of the burner.

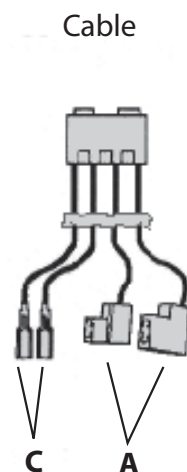
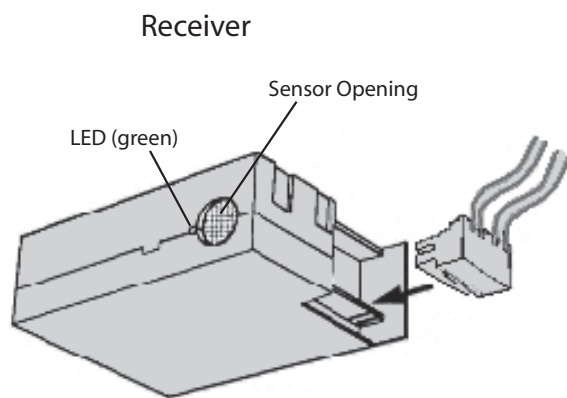
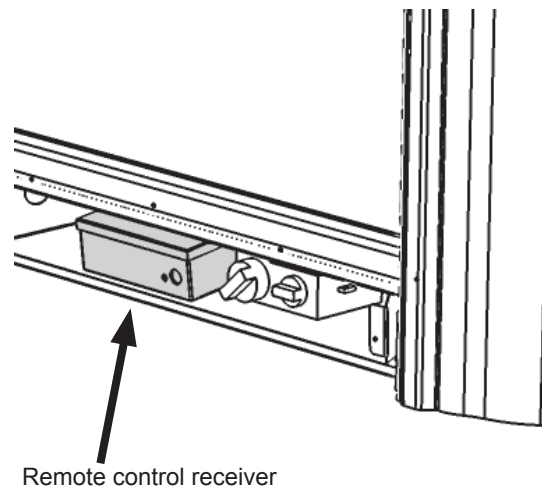
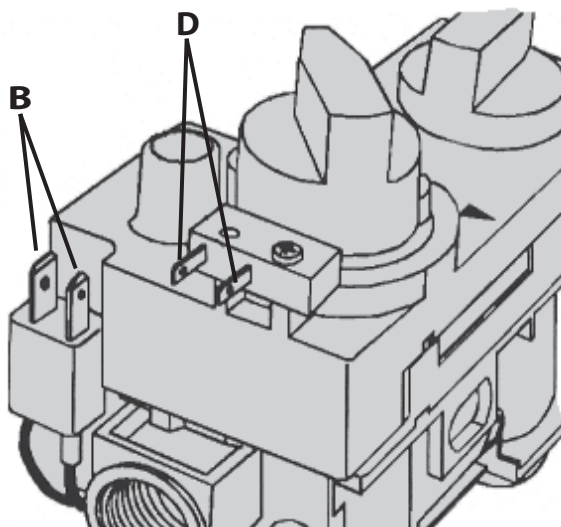
Push in the lighting knob and turn it counter-clockwise through the "IGN" position to "PILOT". A spark should flash across from the pilot electrode to the pilot burner shield as shown below.



## Remote Control Preparation

**CAUTION! Do not connect the batteries to the remote control receiver until the wires are connected to the burner control unit, as short circuit could result in destruction of the electrical components.**

1. Connect the wiring harness to the receiver box by pushing the wire connector on to the receiver circuit board. The plug will only go on one way so please ensure that the wires are pointing up and the slot in the board is in line with the tab on the wiring harness plug.
2. Connect the wires "A" (with the "L" terminals) to the connectors "B" on the control valve. Please note that the connectors are different sizes; the smaller one fits to the lower connection on the valve.
3. Connect the wires "C" to the connectors "D" on the control valve. (Either wire can be fitted to either connector.)
4. Remove the remote control receiver lid.
5. Fit four 1.5 V batteries. Refit the lid.
6. Place the remote control receiver of the *Velcro* pad.
7. Fit the 9 V battery to the handset transmitter.





# Gas Supply

**Only persons licensed to work with gas piping may make the necessary gas connection to this appliance.**

You are now ready to hook up the gas supply. Be sure that gas plumbing instructions and all provincial and local codes are carefully followed. Use approved flexible gas connections or rigid piping, depending on provincial and local codes, to attach burner to gas supply. Be sure to use proper size gas supply line. Carefully check all connections for gas leaks with soap and water solution.

Each installation must conform to all local, provincial and national codes. Refer to the national fuel gas code, local zoning and code authorities for details on installation requirements.

## 11.1 Existing Gas Supply

Before interrupting the existing gas supply it is recommended that the following be checked:

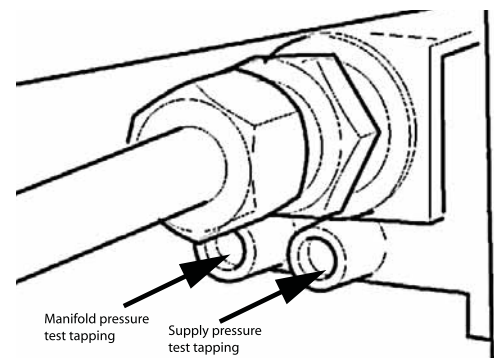
- Shut down all gas appliances and carry out a pressure test to insure there are no existing leaks on the system.
- Before connecting the appliance to the gas supply line, double-check that the appliance you have purchased is designed for the gas type you are using. The gas type markings are located on the certification label and also on the appliance's gas valve.
- Check the gas pressure to insure you will be able to supply the minimum inlet pressure for the appliance.
- Check your pipe sizing to insure that sufficient volume will be supplied to the appliance.

## 11.2 Gas Supply Installation

- Provide adequate clearance for proper installation and checking of the gas connections.
- Have your gas supplier or a qualified gas fitter run a gas supply line into the gas fireplace. The line must be properly sized and fitted according to the installation codes. Upstream of the appliance supply connection, the fitter shall provide an easily accessible manual shut-off valve.
- The gas supply pipe should enter the appliance case through the opening at the rear left side. The supply pipe should be connected to the appliance gas inlet pipe situated at the left side of the control unit. Supply line connection to the inlet pipe is 3/8 NPT.
- If the circulating fan is to be installed, be aware that the supply pipe run inside the case should be at the same height as the appliance inlet pipe in order to clear the fan. If intending to fit an internal isolating valve, check that it will be clear of the fan.
- Use only new black iron or steel pipes or copper tubing if acceptable—check local codes. Note that in USA, copper tubing must be internally tinned for protection against sulfur compounds.
- Unions in gas lines should be of ground joint type.
- Sealant used must be resistant to the action of all gas constituents including LP gas. Sealant should be applied lightly to male threads to ensure excess sealant does not enter gas lines.

## 11.3 Pressure Testing the Supply Line for Leaks

- The appliance and its individual shut-off valve must be disconnected from the gas supply piping system during any pressure testing of that system at **test pressures in excess of 1/2 psig (3.5 kPa)**.
- The appliance must be isolated from the gas supply piping system by closing its individual manual shut-off valve during any pressure testing of the gas supply piping system at **test pressures equal to or less than 1/2 psig (3.5 kPa)**. Failure to do so will damage the appliance's gas valve. Such damage is not covered by the manufacturer's warranty.
- When testing for leaks:
  - Make sure that the appliance is turned off.
  - Open the manual shut-off valve.
  - Test for leaks by applying a liquid detergent or soap solution to all joints. Bubbles forming indicate a gas leak.
  - **Never use an open flame to check for leaks.**
  - Correct any leak detected immediately.
- The pressure test tapping locations are shown in the diagram to the right.
- A built-in non-adjustable regulator controls the burner manifold pressure. The correct pressure range is shown in the Specifications section of this manual. The pressure check should be made with the burner lit. See the lighting instructions section for full operating details.

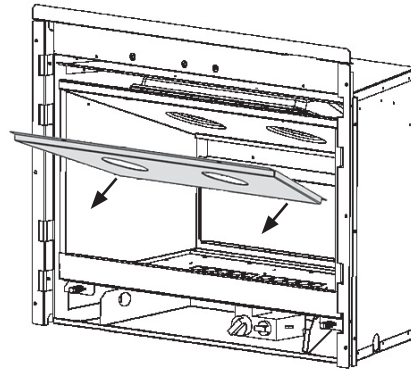


**BE SURE TO TIGHTEN THE PRESSURE TAP SET-SCREW AFTER CHECKING THE PRESSURE.  
CHECK ALL GAS CONNECTIONS FOR GAS LEAKS.**

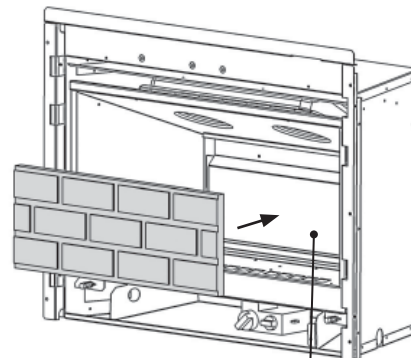
# Panel Installation

## 12.1 Ceramic Panels Installation

1. Remove the Firebox Baffle by first removing 2 screws on the front flange and lifting the Baffle towards you.

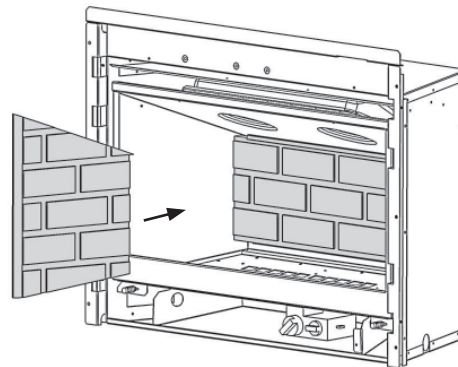


2. Position the Rear Ceramic Panel onto the Rear Brick Panel Rest. The Panel will sit on the lower ledge and be flat against the rear of the firebox.

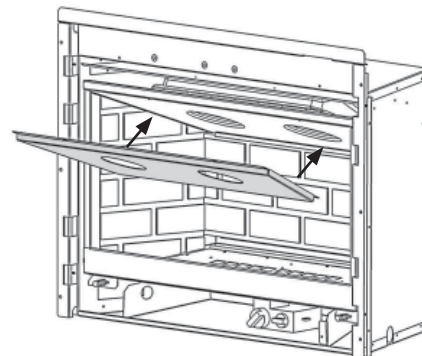


Rear Brick Panel Rest

3. Slide the Left Ceramic Panel against the left side of the firebox and up to the Rear Ceramic Panel. The Panel will have to be angled to fit inside the firebox. Position the Right Ceramic Panel in the same fashion.



4. Re-install the Firebox Baffle fitting the rear flange above the Rear Brick Panel Rest and fastening 2 screws provided on the front edge.

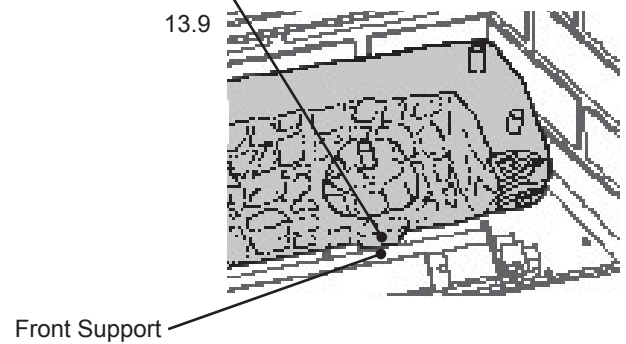
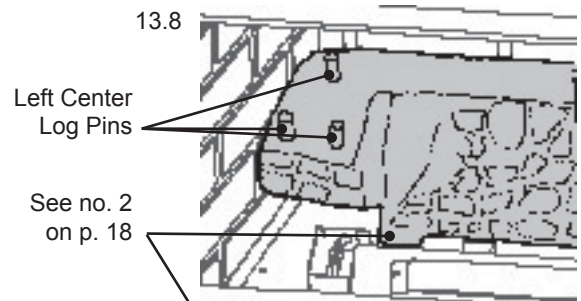
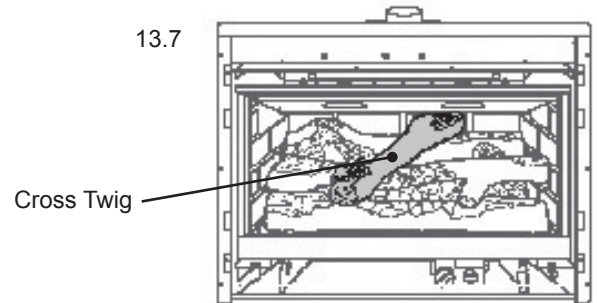
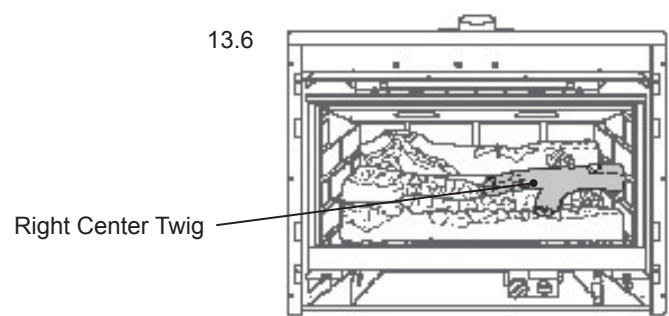
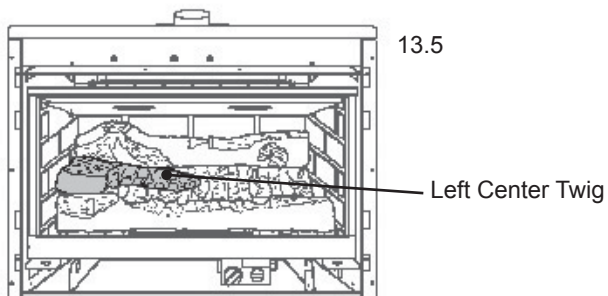
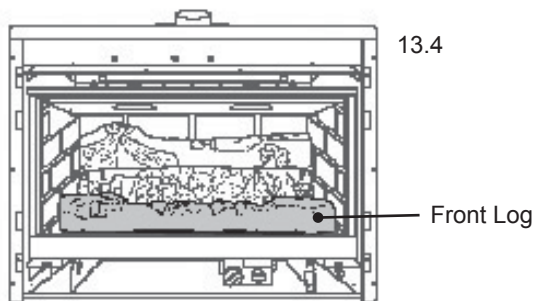
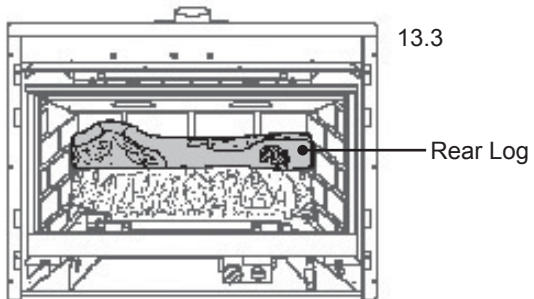
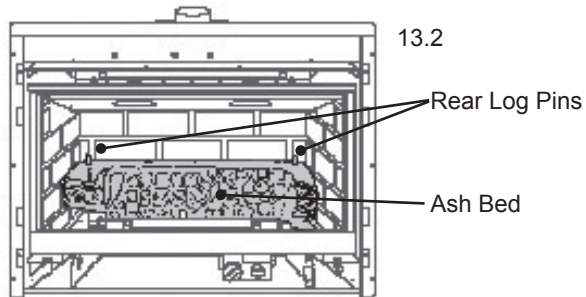
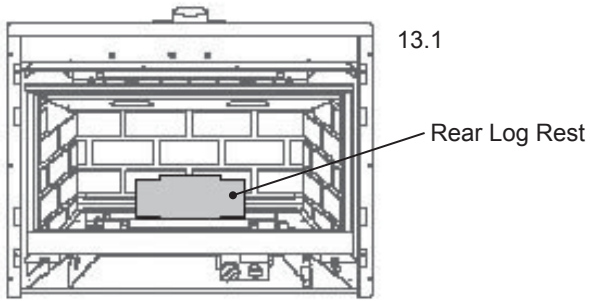


# Log Installation

## 13.1 Ceramic Logs Installation

1. Install the Rear Log Rest supplied using 3 screws provided. See figure 13.1.
2. Place the Ash Bed in position. The projections at the front of the Ash Bed are positioned against the sloping metal stops, immediately behind the burner. See figures 13.2, 13.8, 13.9.
3. Place the Rear Log in position. Place the Log on the 2 pins on the top left and right of the Ash Bed. See figure 13.3.
4. Place the Front Log at the front of the firebox locating it on the front support. See figure 13.4.
5. Place the Left Side Center Log in position, locating the thick part on the left side of the Ash Bed on the 2 pins provided, with its “nose” resting on top of the Ash Bed center projection. See figure 13.5.
6. Identify the Right Side Center ‘Y’ log. Place the Right Side Center Y Log in position, locating the thick part on the right side of the Ash Bed on to the pin provided with its “nose” located on the single pin. See figure 13.6.
7. Install the Cross Twig by first mounting the rear of the Cross Twig on the pin situated on the top of the Rear Log near the center. Then, move the front of the Cross Twig until it finds its location in the cradle provided in the Front Log. See figure 13.7.

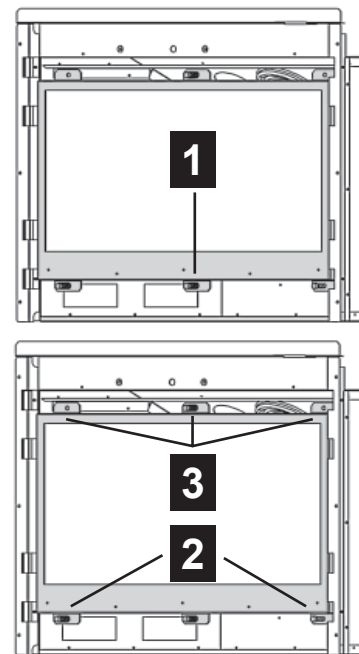
# Log Installation



## Window Refitting

### 14.1 Window Refitting & Checking

1. Fit the window to the firebox. Insert the bottom middle spring-loaded bolt and tighten it.
2. Locate the bottom 2 spring-loaded bolts, turning through 90 degrees to lock them in position.
3. Repeat with the top 3 spring-loaded bolts.
4. Pull the top of the window and release it to check that it opens slightly and returns in place in the event of a delayed ignition explosion. Similarly, check the bottom of the window by pulling it forward and releasing it.



### 14.2 Glass Replacement

In the event that the glass is damaged, the door and glass will be replaced only as a complete assembly, as supplied by the manufacturer.

1. Remove the broken glass pieces (be sure to wear gloves) then remove the window frame. See section 9.1 for window removal.
2. Contact the manufacturer for replacement window part #4000084S.
3. See section 14.1 above for window refitting.

## Burner & Pilot Operation

### 15.1 Burner & Pilot Checks

Check ignition, pilot stability, burner flames and the full range of the thermostat settings using the rotary switch inside the appliance and all other controls (remote handset). See the lighting and remote control instructions further on in this manual for full details.

### 15.2 Aeration Adjustment

The burner aeration is adjustable.

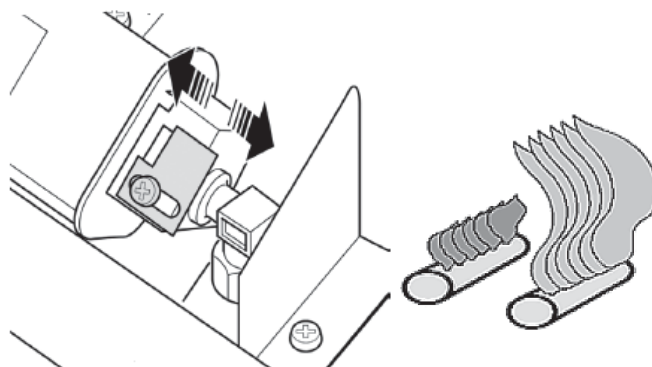
For the vast majority of installations, no adjustment will be necessary. However, in a very few instances, performance may be improved by sliding the shutter to adjust the aeration.

Evaluate the aeration only after the unit has warmed-up—approximately 15 minutes.

Increasing aeration will cause the flames to appear more transparent and blue making the ceramic fuel effects glow more.

Decreasing aeration will cause the flames to appear more yellow or orange making the fuel effects glow less.

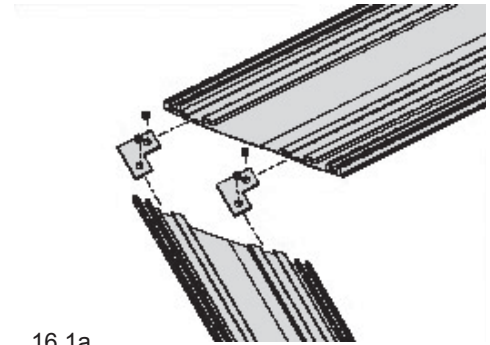
**Too little aeration may result in black carbon forming and dropping into the firebox.**



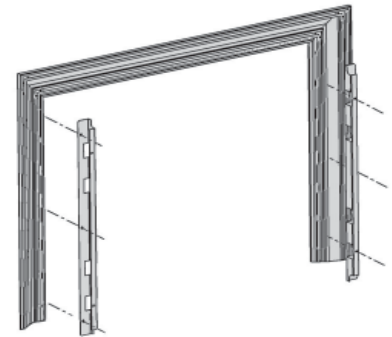
# Trim Installation

## 16.1 Side Trim Assembly

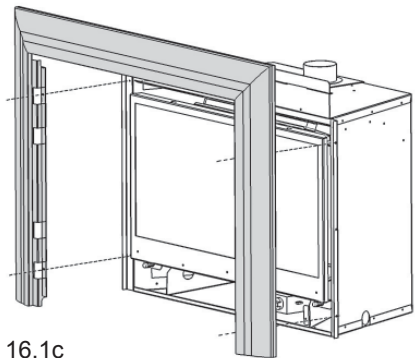
1. Slide the corner connection plates into the channels in the top section and one of the side sections. Butt the two sections together. Fit four grub screws in the corner plates and tighten to secure the sections together as shown in figure 16.1a.
2. Repeat for the other corner(s).
3. Attach the two shroud mounting brackets to the back of the trim's side sections with three screws for each side as shown in figure 16.1b.  
**3-sided trim:** The brackets will mount flush to the bottom of each side section.  
**4-sided trim:** The brackets will mount flush to the bottom *inside corner* of each side section.
4. Attach the complete trim unit to the firebox with four screws as shown in figure 16.1c



16.1a



16.1b



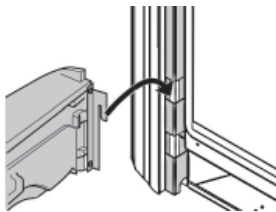
16.1c

## 16.2 741SFB Standard Metal Front

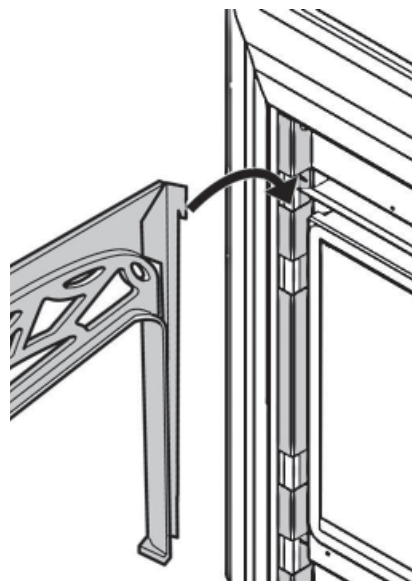
Secure the Standard Front to the front of the unit by hanging on the 4 metal tabs to the shroud mounting brackets as highlighted in detail A of figure 16.2a

## 16.3 742CFB Cast Iron Front

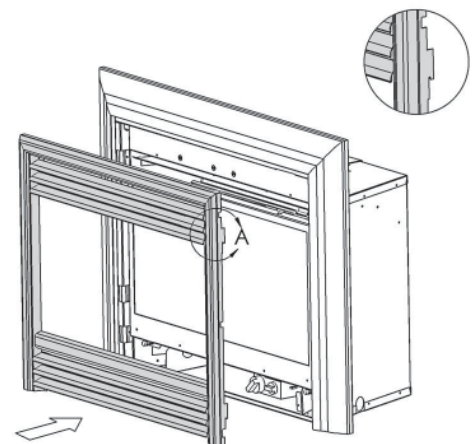
1. Hook the bottom casting unit to the second space from the bottom on the shroud mounting brackets at the firebox sides as shown on figure 16.3a.
2. Hook the top casting unit to the top space on the shroud mounting brackets at the firebox sides as shown in figure 16.3b.



16.3a



16.3b



16.2a

# Final Checks

## 17.1 Final Check

**INSTALLER: Before leaving the appliance with the customer, you must check the operation of the appliance.**

- Check correct rating by clocking the appliance at 15 minutes (see label).
- Check flame picture. Adjust primary air if required.
- Take time to explain to the customer how to operate the unit.

NOTE: When first fired, the unit will produce an odor. This is normal and is part of the paint curing process. This will be noticeable for at least 4 hours. During the first hour smoke detectors in the house may be set off. It is recommended that you open a few windows to ventilate the room.

- Following the initial burn-in period, the glass panel may require cleaning.

**CAUTION: Do not clean the glass when the appliance is hot!**

- When the appliance is cold when fired, the glass may fog up. This is due to condensation and it is normal.
- Make yourself familiar with these instructions before operating the appliance.
- Check any loose electrical wires that may cause a shock.
- Check around the appliance for gas leaks. **IF YOU SMELL GAS**, follow the instructions on the front cover of this manual.
- Check to see that the logs are correctly positioned. The pilot light should be visible.
- Check to make sure that the venting is secure.
- Check that all external parts, such as grills, doors and control cover are properly attached and fastened.

**CAUTION: Do not turn the unit off and on again without a minimum of a 5 minute wait.**

## 17.2 Important - Glass cleaning - Mineral deposits

One of the by-products of the combustion process in a gas appliance is a mineral which can show up as a white film on the ceramic glass of the viewing door. The composition of the deposit varies widely from various locations and also from time to time in the same location. It seems this is associated with the varying sulfur content of the gas. You may have the problem for a time and then not see it for many months when it will reappear in your area.

We have discussed this problem with ceramic glass manufacturers and they cannot give us a definitive answer to this problem. Dealers have tried various cleaning products with varying results. The following recommendations will not guarantee results in your particular case.

**NOTE: This is a problem beyond Miles Industries' control and is not covered under warranty.**

1. Clean the glass regularly as soon as you notice the buildup (white film). If the film is left for a longer period of time, it will bake on. It is then much harder, if not impossible, to remove.
2. NEVER use an abrasive cleaner on the ceramic glass. Any abrasion of the surface has the immediate effect of compromising the strength of the glass. An emulsion type cleaner is recommended.
3. Use a soft damp cloth to apply the cleaner. Dry the glass with a soft, dry, preferably cotton cloth. Most paper towels and synthetic materials are abrasive to ceramic glass and should be avoided.
4. Our dealers have had good results from the products listed below. We cannot, however, guarantee the results of these products.
  - BRASSO
  - POLISH PLUS by KEL KEM
  - COOK TOP CLEAN CREME by ELCO
  - WHITE OFF by RUTLAND

## 17.3 Operating Your Fire

*The operating instructions are also on a plate located under the unit's inner firebox.*

For your safety, this appliance is fitted with a flame supervision device, which will shut-off the gas supply if, for any reason, the pilot flame goes out. This device incorporates a fixed probe, which senses the heat from the pilot flame. If the probe is cool, the device will prevent any gas flow unless the burner control knob is kept pushed-in at the PILOT position. See full lighting instructions.

When first turned on, the decorative flames will appear predominantly blue. After approximately 15 minutes the flames will turn yellow.

## Operational Warnings

### Pre-Start Up Checks

#### **FOR YOUR SAFETY, READ BEFORE LIGHTING**

**WARNING: IF YOU DO NOT FOLLOW THESE INSTRUCTIONS EXACTLY, A FIRE OR EXPLOSION MAY RESULT CAUSING PROPERTY AND/OR PERSONAL INJURY.**

**DO NOT** use tools to operate controls; only use your hand to push-in and turn the control knobs.

**DO NOT** abuse the glass window by striking or slamming it shut.

**DO NOT** try to repair the appliance. Call a qualified service technician.

**DO NOT** clean the appliance when hot.

**DO NOT** use this appliance if any part has been under water. Immediately call a qualified service technician to inspect the appliance and replace any part of the gas control system which has been under water.

**DO NOT** use this appliance if you smell gas.

#### **WHAT TO DO IF YOU SMELL GAS:**

- OPEN WINDOWS.
- DO NOT TOUCH ANY ELECTRICAL SWITCH; DO NOT USE THE PHONE IN YOUR BUILDING.
- EXTINGUISH ANY OPEN FLAME.
- IMMEDIATELY CALL YOUR GAS SUPPLIER FROM A NEIGHBOR'S PHONE AND FOLLOW THE GAS SUPPLIER'S INSTRUCTIONS.
- IF YOU CANNOT REACH YOUR GAS SUPPLIER, CALL THE FIRE DEPARTMENT.

**WARNING: Do not operate appliance with the window removed, cracked or broken. Replacement of the window should be done by a licensed or qualified service person.**

Note: The copy in the manual is for reference only. In the event of a discrepancy, the label on the unit is to be taken as the latest version.



## Lighting Instructions

### FOR YOUR SAFETY READ BEFORE LIGHTING



**WARNING:** If you do not follow these instructions exactly, a fire or explosion may result causing property damage, personal injury or loss of life.

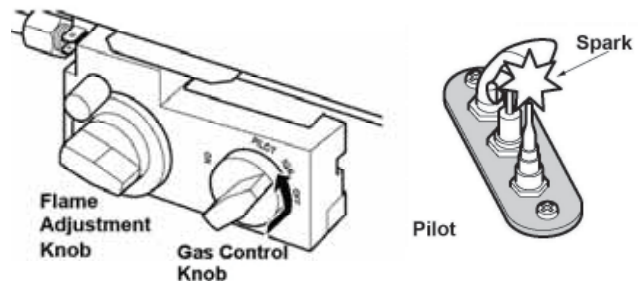
- A. This appliance has a pilot, which must be lighted by hand. When lighting the pilot, follow these instructions exactly. To save energy, turn the pilot off when not using the appliance.
- B. **BEFORE LIGHTING** smell all around the appliance area for gas. Be sure to smell next to the floor because some gas is heavier than air and will settle on the floor.

#### WHAT TO DO IF YOU SMELL GAS

- Do not try to light any appliance.
  - Do not touch any electric switch; do not use any phone in your building.
  - Immediately call your gas supplier from a neighbor's phone. Follow the gas supplier's instructions.
  - If you cannot reach your gas supplier, call the fire department.
- C. Use only your hand to push in or turn the control knobs. Never use tools. If the controls will not push in or turn by hand, don't try to repair them, call a qualified service technician. Force or attempted repair may result in a fire or explosion.
- D. Do not use this appliance if any part has been under water. Immediately call a qualified service technician to inspect the appliance and to replace any part of the control system and any gas control, which has been under water.



### LIGHTING INSTRUCTIONS

1. **STOP!** Read the safety information above.
  2. Set the flame adjustment knob as far clockwise  as possible\*.
  3. Turn the gas control knob clockwise  to OFF.
- NOTE:** The knob cannot be turned from PILOT to OFF unless it is pushed in partially. Do not force.
4. Wait five (5) minutes to clear out any gas, then smell for gas, including near the floor. If you smell gas, **STOP!** Follow "B" in the safety information above. If you don't smell gas, go to the next step.



5. Find the pilot. It is at the left side of the firebox viewed through slotted hole in front log.
6. Push in and turn the gas control knob counterclockwise until resistance is felt just before the "IGN" position.
7. Keep pushed in for a few seconds to allow gas to flow then, keeping knob depressed, turn to "PILOT" to light pilot. Hold knob in for a further 5 seconds then release. The knob should pop back out. Pilot should remain lit. If pilot goes out repeat steps 3 through 7.
  - If knob does not pop out when released, stop and immediately call your service technician or gas supplier.
  - If pilot lights but will not stay lit after several tries, turn the gas control knob to "OFF" and call your service technician or gas supplier.
8. When pilot is lit, partially depress the knob and turn to "ON" position (Burner alight).
  - Do not leave knob set between "PILOT" and "ON".
9. Set the flame height to desired setting\*.

### TO TURN OFF GAS TO APPLIANCE

1. Set the flame adjustment knob as far clockwise  as possible\*
2. Push in gas control knob slightly and turn clockwise  to "OFF". Do not force.

\* The flame height can be increased or decreased by depressing the remote control hand set button.

# Maintenance

**Warning : Use only genuine Valor parts, do not use substitute materials.**

## 20.1 Cleaning

It will be necessary to clean the glass periodically. During startup, condensation, which is normal, forms on the inside of the glass and causes dust, lint etc. to cling to the glass surface. Initially paint, while curing, may deposit a slight film on the glass. We therefore recommend that, during the first few weeks of use, the glass be cleaned two or three times with non-abrasive common household cleaners such as dish soap and warm water.

**Ammonia based cleaners should NOT be used.** Subsequently the glass should be cleaned two or three times a season depending on the circumstances.

Do not clean the glass while it is hot. Always close the window securely before lighting.

## 20.2 To Clean the Inside of the Glass

**Warning : Do not clean the appliance when hot!!**

- Standard front: Lift up, unhook and remove completely.
- Cast iron fronts: Lift up and unhook the upper casting and lower casting.  
If you have difficulties removing either front please refer to section 16.
- Remove the bottom center spring-loaded bolt. Turn the 5 remaining spring-loaded bolts 90 degrees to release the window from the firebox.
- Carefully lift the window away and put aside in a safe location to avoid damage.
- Replacement: To reinstall, follow the instructions given in the section Window Refitting on page 21.
- **Always securely fasten the window before lighting.**

## 20.3 To Clean the Ceramic Fuel Effects, Firebox Walls & Burner

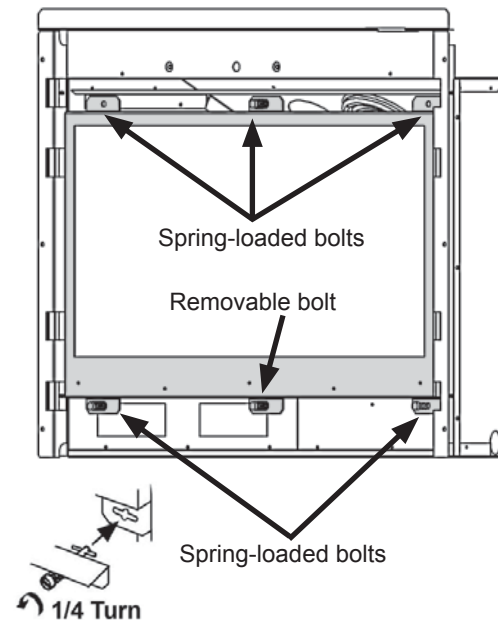
Dust can be brushed from the ceramic fuel effects and firebox walls after removing the front unit and completely removing the window. Dust can also be removed from the burner using a soft brush after removing the ceramic fuel effects.

**Remove the window assembly as described above.**

**Always completely remove the window before removing the ceramic fuel effects.**

**When cleaning, make sure that no particles are brushed into the slots in the burner.**

**Always replace the window securely before lighting.**

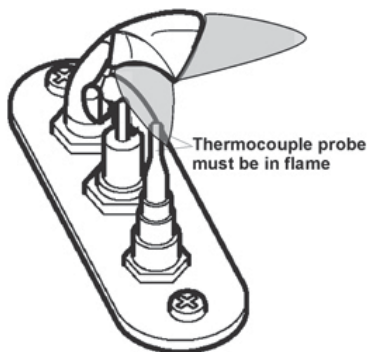


# Maintenance

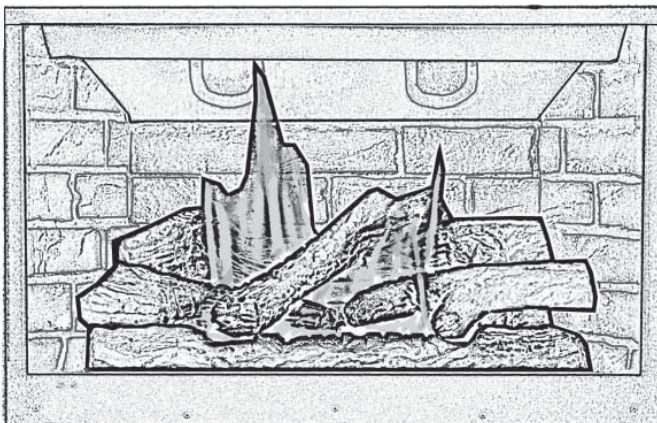
## 20.4 Checks

**Performance of LPG appliances may be affected by the quality of commercial gas supplied in your area.**

1. A periodic check of the pilot and burner flames should be made. Check after the fire has been on for at least 30 minutes. The pilot flame must cover the tip of the thermocouple probe. The main burner flame pattern will vary from appliance to appliance depending on the type of installation and climatic conditions.



Pilot flame



Flame picture

2. The appliance area must always be kept clear and free from combustible materials, gasoline and other flammable vapors and liquids.
3. Inspect the vent terminal outdoors regularly to make sure that dirt, snow, insects, leaves and trees or other object do not obstruct it.
4. Examine the whole vent system regularly using a qualified agency. We recommend an annual inspection.

## 20.5 General Servicing

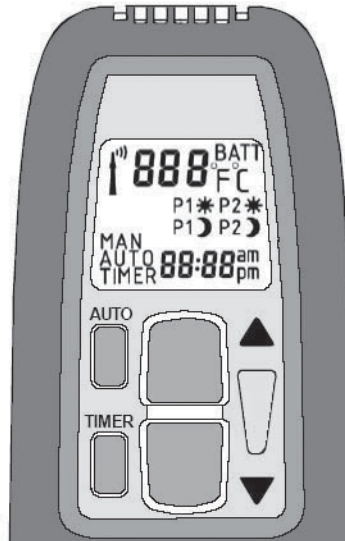
If your appliance requires any servicing, contact your supplier quoting the model number. It will be helpful if the appliance's serial number can also be quoted. The serial number is on the rating plate, which is located under the firebox, and is accessible by opening the bottom access panel of the front.

The repair parts are shown in the separate repair parts leaflet. Please always quote the part number and description when requesting a spare part.

# Programmable Remote Control

Your fireplace remote control helps you get the comfort, convenience and aesthetics you want from your gas fireplace. The remote controls your fireplace in different ways.

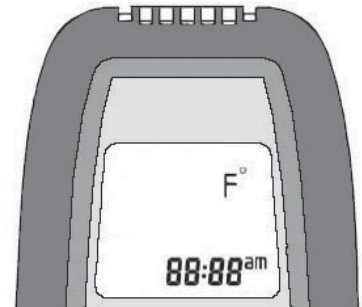
**IMPORTANT:** *BEFORE YOU BEGIN, please note that on this system, the settings of time, temperature and automatic ON/OFF can only be programmed when the function display is flashing. Be patient when programming as it can take a few seconds to set.*



## Setting the time

The first thing to do is to set the time.

1. With your thumb, hold down **both** the **AUTO** and **TIMER** buttons until **F** flashes. Let go.
2. Note the digital clock on the bottom right hand corner. The **▲** button sets the hour; the **▼** button sets the minutes. Set the time.  
Note: You must start setting the time while the **F** is flashing. If it stops flashing, go back to 1.
3. The display shows °C/24-hour or °F/12-hour. To change the temperature/hour display, press on the **AUTO** button while the display flashes.
4. Let go and wait until the flashing stops. The remote shows the time you set. It also shows the current temperature.

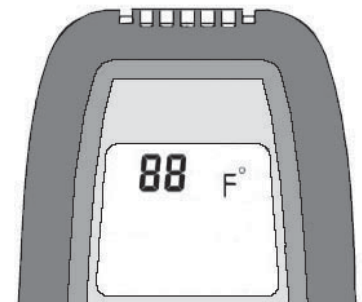


## Setting the temperature

Use this setting when you come in and want to enjoy a specific temperature.

1. Push the **AUTO** button until a number and **F** flash. Let go.
2. While it is still flashing, push the **▲** and **▼** buttons to the temperature you want. Let go.

Your fireplace will reach that temperature and the remote will check the temperature every five minutes, adjusting the amount of fuel needed to give you a steady, even heat.



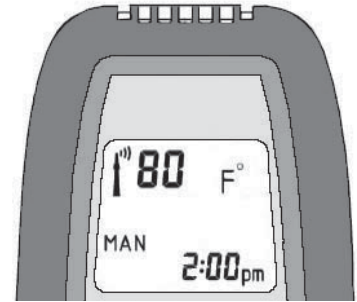
# Programmable Remote Control

## Setting the flame

Use this setting when you want a particular flame level. For instance, you want to watch flames burn at their highest level and you don't mind if the room is too hot.

1. To raise the flame, press and hold the ▲ button until the flame gets to the desired level. Let go.
2. To lower the flame, press and hold the ▼ button until the flame gets to the desired level. Let go.

The **flame level** will remain just as you set it.



## Automatic ON/OFF

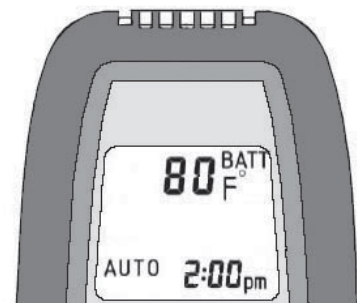
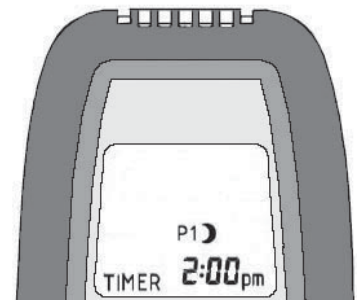
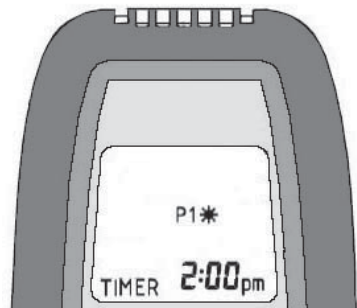
You can set your fireplace to come on before you wake up and turn off after you leave and then, turn on again just before you come home and turn off after going to bed.

You can leave it like this for the heating season.

1. Decide what temperature you want your fireplace to be at. Also, decide what time you want your fireplace to turn on and off. Finally, decide what time you want it to come back on and off in the afternoon or evening. For the first few times you set the timer, it's handy to write these times down.
2. Set the temperature (just as you did in the section *Setting the temperature*.)
3. Press the **TIMER** button and hold it until **P1** ☀ appears and flashes. Let go. While flashing, push the buttons ▲ (hour) and ▼ (minutes) to set the time at which you want your fireplace to turn on in the morning.
4. Press the **TIMER** button and hold it until **P1** ☾ appears and flashes. Let go. While flashing, push the buttons ▲ (hour) and ▼ (minutes) to set the time at which you want your fireplace to turn off when you leave.
5. Press the **TIMER** button and hold it until **P2** ☀ appears and flashes. Let go. While flashing, push the buttons ▲ (hour) and ▼ (minutes) to set the time at which you want your fireplace will turn on again in the afternoon.
6. Press the **TIMER** button and hold it until **P2** ☾ appears and flashes. Let go. While flashing, push the buttons ▲ (hour) and ▼ (minutes) to set the time at which you want your fireplace to turn off in the evening.

Note: If you want to set your fireplace for only one time on and off, set **P2** ☀ and **P2** ☾ for the same times as **P1** ☾. The remote will record the **P1** ☾ off time for both **P2** times.

To temporarily override the timer setting, just press **AUTO** or ▲ and ▼ to go back to manual settings. Press **TIMER** to go back to your settings.



When your remote control displays **BATT**, you need to replace the battery with a new 9 volt alkaline battery—6LR61/MN1604.

# Venting Options

VENTING PARTS DESCRIPTION		VENTING PARTS CODE / AVAILABILITY BY MANUFACTURER						
		SIMPSON DURA-VENT	SELKIRK		SECURE VENT	RLH INDUSTRIES	MILES INDUSTRIES	
TERMINATION CAPS	VERTICAL	STANDARD CO-AXIAL	980	4DT-VC	—	—	HSDV4658-1313	—
		HIGH WIND CO-AXIAL	991	—	—	SV4CGV	—	—
		EXTENDED CO-AXIAL	930	—	—	—	—	—
		CO-LINEAR	—	—	—	3PDVCV	HS-C33U-99 HS-C33F-1313	559CLT
VENT ADAPTERS / COUPLERS	UNIVERSAL ADAPTER 3" FLEX COUPLER	2150	—	—	—	—	—	
	CO-LINEAR FLEX CONNECTOR	923F	—	—	—	—	—	
	CO-AXIAL TO CO-LINEAR ADAPTER	923GCL	—	—	—	—	556CLA	
	CO-LINEAR TO CO-AXIAL ADAPTER	923GK	—	—	—	—	—	
ALUMINUM FLEXIBLE LINER	3" DIAMETER	2280 Series	3" ACFL	NOTE: 2-ply liner approved to CAN/ULC S635 suitable for venting gas appliances. As manufactured by Z-Flex.				

**Notes:** 1) Simpson Dura-Vent co-axial pipes and fittings require Valor 817VAK Starter Adapter to fit Valor's smooth collars. All other above manufacturers' collars will fit directly to Simpson Dura-Vent or Valor's smooth collars. 2) Follow instructions supplied with each manufacturer's components. 3) Unless otherwise specified, all the parts and assemblies from the above table are to be used with 4" x 6-5/8" pipes. 4) Termination caps manufactured by RLH Industries are from *Homestyle Chimney Collection* and can be ordered in one of the following finishes: a) aluminum; b) black powder coated; c) solid copper.

# Warranty

If you have a problem with this unit, please contact your dealer or supplier immediately. Under no circumstances should you attempt to service the unit in any way by yourself. The warranties in paragraphs 1 and 2 are provided only to the first purchaser/user of this unit, are not transferable and are subject to the conditions and limitations in paragraphs 3, 4 and 5. Please review the conditions and limitations carefully and strictly follow their requirements.



## 1. Extended Warranty Coverage

For a period of up to ten (10) years, Miles Industries Ltd., (the "Company") or its appointed distributor will at its option pay the initial purchaser for the repair of, or will exchange the following parts or components which are found to be defective in material or workmanship under normal conditions of use and service:

Part or Component	Defect Covered	Maximum Warranty Period
Exterior steel casing	Corrosion	10 years
Glass	Loss of structural integrity	10 years
Cast iron parts	Corrosion	10 years
Firebox and heat exchanger	Corrosion (but not discoloration) causing loss of structural integrity	10 years

## 2. Two-Year Parts Warranty

In addition, for two (2) years from the date of purchase, the Company, at its option, can repair or exchange all parts and components not listed above but that are found to have a *bona fide* defect in material or workmanship under normal conditions of use.

## 3. Conditions and Limitations

- a) The warranty registration card must be completed by the initial owner and returned to the Company within 90 days of purchase.
- b) Installation and maintenance must be performed by an authorized and trained dealer in accordance with the Company's installation instructions.
- c) This warranty is void where installation of the unit does not conform to all applicable codes including national and local gas appliance installation codes and building and fire codes.
- d) The owner must comply with all operating instructions.
- e) The Company is not responsible for the labor costs to remove defective parts or re-install repaired or replacement parts.
- f) The first purchaser or user of the unit will be responsible for any shipping charges for replacement parts as well as travel time incurred by the dealer to perform the warranty work.
- g) This warranty applies to non-commercial use and service and is void if it is apparent that there is abuse, misuse, alteration, improper installation, accident or lack of maintenance to the unit.
- h) This warranty does not cover damage to the unit through:
  - i) Improper installation, operational or environmental conditions.
  - ii) Inadequate ventilation in the area or competition for air from other household equipment or appliances.
  - iii) Damage due to chemicals, dampness, condensation, or sulphur in the fuel supply lines which exceeds industry standards.
- i) This warranty does not cover glass, log breakage or damage to the unit while in transit.
- j) The Company does not allow anyone to extend, alter or modify this warranty and assumes no responsibility for direct, indirect or consequential damages caused by the unit. State or provincial laws where the first purchaser or user resides may provide specific rights to extend this warranty and, if so, the Company's sole obligation under this warranty is to provide labor and/or materials in accordance with those laws.

## 4. Discharge of Liability

After two (2) years from the date of purchase, the Company may, at its option, fully discharge all obligations under this warranty by paying to the first purchaser/user the wholesale price of any defective parts.

## 5. No Other Warranty

All obligations to repair this unit are defined in this warranty. Some states or provinces may specifically mandate additional warranties on the part of manufacturers, but in the absence of such specific legislation, there is no other warranty or obligation expressed or implied.

## Free Manuals Download Website

<http://myh66.com>

<http://usermanuals.us>

<http://www.somanuals.com>

<http://www.4manuals.cc>

<http://www.manual-lib.com>

<http://www.404manual.com>

<http://www.luxmanual.com>

<http://aubethermostatmanual.com>

Golf course search by state

<http://golfingnear.com>

Email search by domain

<http://emailbydomain.com>

Auto manuals search

<http://auto.somanuals.com>

TV manuals search

<http://tv.somanuals.com>