

Bounce Swivel Speedlight DSLR Flash
INSTRUCTION MANUAL

Vivitar

VIV-DF-186

Limited One Year Warranty

Vivitar warrants this quality product to be free of defects in material and workmanship for a period of one year from the date of purchase. During the period, Vivitar will repair or replace the product at no charge for parts or labor.

TIME PERIOD OF THIS WARRANTY

The time period of this warranty starts from the date of the original purchase and expires on the first anniversary date of purchase.

WHAT IS NOT COVERED BY THIS WARRANTY

No express or implied warranty is made for any defects in this product which result from accident, abuse, misuse, failure to operate the product in accordance with relevant instructions, neglect, immersion in or exposure to chemicals or liquids, extremes of climate, fungus, excessive wear and tear/cosmetic damage and defects resulting from other extraneous causes such as unauthorised disassembly, repair or modification.

This warranty shall not extend to any incidental or consequential damages arising from the purchase, use or inability to use this product even if Vivitar has been advised of such damages. The laws of some countries and some States thereof do not allow the limitation of incidental or consequential damages, so the above limitation or exclusion may apply to you.

WHAT TO DO WHEN SERVICE IS NEEDED

STEP 1. Package the product and relevant accessories carefully, using ample padding materials and a sturdy mailing container to prevent damage in transit.

STEP 2. Include in package:

- a) Evidence of date and place of original purchase (for example, a copy of your sales receipt).
- b) Detailed description of your problem.
- c) When possible, a sample evidencing the problem.

STEP 3. Return item (insured) to: (in the U.S.):

Vivitar	(in the U.K.)
Attn: Technical Support	Sakar UK
195 Carter Drive	2D Siskin Parkway East
Edison NJ 08817	CV3 4PE, UK

When service is complete, the product will be returned to you shipping prepaid. In the event the product is deemed to be not faulty or the defect is a result in wear and tear, Vivitar may levy a handling charge for the return of the product. This warranty gives you specific legal rights. You may also have other rights which vary from country and State to State thereof. For more information visit our website www.vivitar.com

TECHNICAL SUPPORT

For technical support issues please visit our website at www.vivitar.com. You can find manuals, software and FAQ's at the website. Can't find what you are looking for? E-mail us at support@vivitar.com and one of our technical support team members will answer your questions. For phone support in the US please call 1-800-592-9541, in the UK call 0800 917 4831. If you would like to call from anywhere else, please visit www.vivitar.com for your local toll free number.

Introduction

Congratulations on your purchase of the Vivitar VIV-DF-186 flash unit. This electronic flash is innovatively designed for both digital cameras, with advanced technology used to control the correct amount of light output. Please kindly take a few minutes to read this instruction manual before using.

Compatibility

The VIV-DF-186 flash comes in three different varieties, each compatible with different cameras. Check to make sure the flash that you have is compatible with your camera.

- VIV-DF-186-CAN - Compatible with Canon Digital E-TTL cameras
- VIV-DF-186-NIK - Compatible with Nikon Digital I-TTL cameras
- VIV-DF-186-SON - Compatible with Sony Alpha Digital ADI cameras

Important Notes for Flash Photography and Maintenance

1. After each picture, wait for two seconds for the flash to fully recharge before taking the next shot, even when the ready light is on. This will help to prolong the lifespan of the flash tube. It will also allow you to attain the full charging capacity of the flash capacitor for precise flash photography.
2. For best results, keep your flash at least at about six feet away from the subject you are photographing.
3. In the event that the flash exposure is incorrect (over or under exposed or green auto check light does not light up), you may take either one or more of the corrective actions: (1) move closer to the object (2) re-adjust your bounce angle (3) Increase ISO* setting.
4. Bounce should only be used on lighter color ceilings or white walls. Note that when using this feature, 2-3 f/stop of light will be lost due to the reflection.

***Note:** *In digital photography, the ISO number notes how sensitive the image sensor is to the amount of light present. The higher the ISO number, the more sensitive the image sensor is to light and therefore the possibility to take pictures in low light situations increases.*

Important Notes for Flash Photography and Maintenance (cont.)

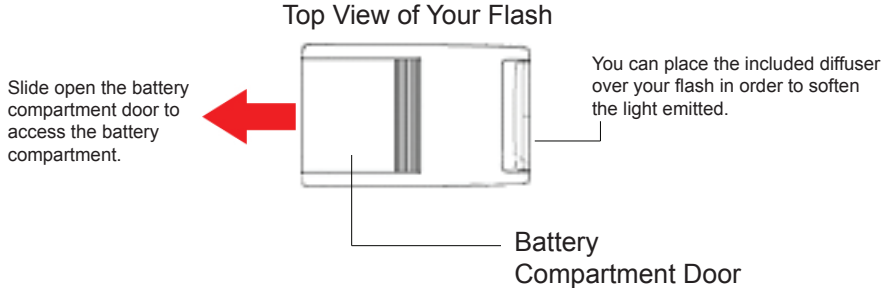
6. Always use a fresh set of 4 AA batteries of the same brand and type when old batteries are depleted. Mixing and matching batteries of different types or brands will greatly deteriorate the flash's performance.

7. When the flash is not being used for extended period of time (>2 weeks), remove the batteries in order to prevent battery leakage. Once the batteries are removed, do not expose the flash unit and batteries to excessive heat, sunlight or fire.

8. Charge up and test fire the flash unit at least once per month to maintain the optimal performance of the flash tube and charging capacitor.

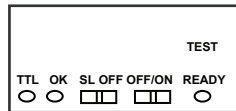
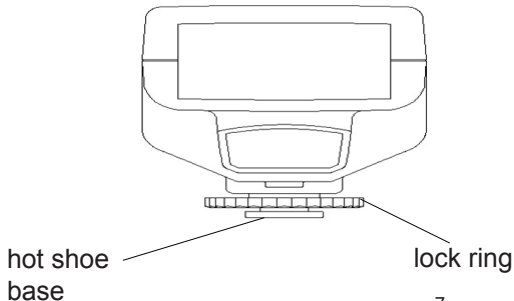
Installing Batteries

In order to power on your flash, you will first need to install batteries. To do so, first ensure that the ON/OFF switch is in the OFF position. Next, open the battery compartment, and insert 4 new AA batteries with the correct polarity (+,-) as indicated inside the battery compartment.



Mounting the Flash Onto Your Camera

Once batteries are inserted into your flash, you can proceed to mount it onto your camera. To do so, first ensure that the ON/OFF switch is in the OFF position. Next, slide the flash's hotshoe base onto the camera's hot shoe then rotate the lock ring until it is fastened securely. Slide the ON/OFF Switch to the ON position. When the Ready Light illuminates, the flash is ready to fire. Pressing the Test Button will test fire the unit.



Button Controls on
Rear of Flash

Auto Check Light

The Green Auto Check Light (OK) located on the back of the flash is used to confirm that your subject is within the effective TTL range of the flash unit. If your subject is within the effective TTL flash range after shooting, the green Auto Check Light will illuminate for approximately 2 seconds.

Power Saving Function

In order to save battery life, your flash will automatically turn off if left idle for more than one minute.

PROGRAM TTL (P) / AUTO MODE

This flash unit provides automatic Through-The-Lens (TTL) control of the flash exposure when used with dedicated digital cameras. When using this mode, the flash unit will automatically emit the flash output for a balanced illumination of the subject and background. The inbuilt AF infra-red assistance beam will turn on automatically to assist the camera to focus in low lighting conditions.

TTL AV, TV AND M MODES

When this flash unit is used with your camera set to AV, TV or M modes, the flash exposure will be automatically controlled by the camera based on the combination of shutter speed and aperture value.

**For TV mode, do not exceed the camera's maximum flash synchronization speed. In AV mode, setting at a slow speed will usually result in blurry pictures caused by the shaking of one's hand. In such situations, the use of tripod is recommended.*

SECOND/REAR CURTAIN SYNCHRONIZATION

This mode permits you to fire the flash just before your camera's shutter closes during slow shutter speed shooting. This will create a trail of lighting that will be appear behind the main subject when a slow shutter speed is being used.

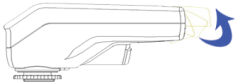
**For more information on rear curtain synchronization settings, refer to your camera's instruction manual.*

RED EYE REDUCTION

When red eye reduction is activated on the DSLR body, the flash unit will activate a series of preflashes before the main flash to reduce the possibility of red eye occurrence during shooting.

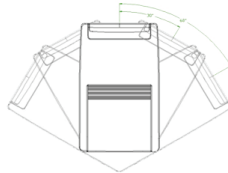
USING THE BOUNCE HEAD

Various combinations of bounce angles can be used to cut off unwanted shadows or for special soft effect purposes.



USING THE SWIVEL HEAD

Once the flash is attached to your camera you can use the swivel head to aim the light in different directions, allowing you to get a variety of different effects.



SPECIFICATIONS

Guide Number: 30m/ 99ft

Circuitry: IGBT (Insulated Gate Bipolar Transistor)

Automatic TTL Range: 15m / 50ft (F2.0)

AF Illumination: 8m / 26ft

Dedication:

- For Canon (model VIV-DF-186-CAN): E-TTL/E-TTL II

- For Nikon (model VIV-DF-186-NIK): iTTL

- For Sony (model VIV-DF-186-SON): A-Mount

Exposure check: Green Auto Check Light

Color Temperature: 5600K

Bounce Angle: Up 30-45-60-75-90

Swivel Position: left 45° / right 45°

Flash Duration: 1/700 sec. (Full power)

Recycling Time: 0.3-10 sec.

Number of flashes: 100-300 per set of new batteries

Power Source: 4 AA Batteries (Alkaline, NiCd or NiMH)

Dimension(mm): 110 x 65 x 70

Weight: 250 grams (w/o batteries)

FEATURES

- Guide No:30m/99ft
 - Flash ready indicator in viewfinder
 - Full Digital TTL dedication
 - Autofocus Infra-Red Assistance beam
 - Bounce and swivel construction
 - Automatic shutter speed setting
 - Auto check (Ok) indicator
 - Red eye reduction*
 - Second/Rear curtain synchronization*
 - Slow synchronization (For Nikon only)*
 - Dedication: ETTL I / II (Canon), iTTL (Nikon)
 - A-Mount(Sony)
 - Single slave function
 - Auto Shutdown Power Saving Feature
 - * Camera dependent features.
- Please check your camera operating instruction manual.

Vivitar

Free Manuals Download Website

<http://myh66.com>

<http://usermanuals.us>

<http://www.somanuals.com>

<http://www.4manuals.cc>

<http://www.manual-lib.com>

<http://www.404manual.com>

<http://www.luxmanual.com>

<http://aubethermostatmanual.com>

Golf course search by state

<http://golfingnear.com>

Email search by domain

<http://emailbydomain.com>

Auto manuals search

<http://auto.somanuals.com>

TV manuals search

<http://tv.somanuals.com>