

VIZIO



QUICK START GUIDE

Model: SB4021M-B1

IMPORTANT SAFETY INSTRUCTIONS

Your Sound Bar is designed and manufactured to operate within defined design limits, and misuse may result in electric shock or fire. To prevent your Sound Bar from being damaged, the following rules should be observed for its installation, use, and maintenance. Please read the following safety instructions before operating your Sound Bar. Keep these instructions in a safe place for future reference.

- To reduce the risk of electric shock or component damage, switch off the power before connecting other components to your Sound Bar.
- Unplug the power cord before cleaning your Sound Bar. A damp cloth is sufficient for cleaning. Do not use a liquid or a spray cleaner on your Sound Bar. Do not use abrasive cleaners.
- Always use the accessories recommended by the manufacturer to insure compatibility.
- When moving your Sound Bar from an area of low temperature to an area of high temperature, condensation may form in the housing. Wait before turning on your Sound Bar to avoid causing fire, electric shock, or component damage.
- A distance of at least 3 feet should be maintained between your Sound Bar and any heat source, such as a radiator, heater, oven, amplifier etc. Do not install your Sound Bar close to smoke. Operating your Sound Bar close to smoke or moisture may cause fire or electric shock.
- Slots and openings in the back and bottom of the cabinet are provided for ventilation. To ensure reliable operation of your Sound Bar and to protect it from overheating, be sure these openings are not blocked or covered. Do not place your Sound Bar in a bookcase or cabinet unless proper ventilation is provided.
- Never push any object into the slots and openings on your Sound Bar enclosure. Do not place any objects on the top of your Sound Bar. Doing so could short circuit parts causing a fire or electric shock. Never spill liquids on your Sound Bar.
- Your Sound Bar should be operated only from the type of power source indicated on the label on the AC/DC Adapters. If you are not sure of the type of power supplied to your home, consult your dealer or local power company.
- Only power of the marked voltage can be used for your Sound Bar. Any other voltage than the specified voltage may cause fire or electric shock
- The power cord must be replaced when using different voltage than the voltage specified. For more information, contact your dealer.
- Your Sound Bar AC/DC Adapters are equipped with a three-pronged grounded plug (a plug with a third grounding pin). This plug will fit only into a grounded power outlet. This is a safety feature. If your outlet does not accommodate the three-pronged, have an electrician install the correct outlet, or use an adapter to ground your Sound Bar safely.
- Do not defeat the safety purpose of the grounded plug.
- When connected to a power outlet, power is always flowing into your Sound Bar. To totally disconnect power, unplug the power cord.
- The lightning flash with arrowhead symbol within an equilateral triangle is intended to alert the user to the presence of un-isolated, dangerous voltage within your Sound Bar that may be of sufficient magnitude to constitute a risk of electric shock to persons.
- The exclamation point within an equilateral triangle is intended to alert the user to the presence of important operating and servicing instructions in the literature accompanying your Sound Bar.
- Do not overload power strips and extension cords. Overloading can result in fire or electric shock.
- The wall socket should be located near your Sound Bar and be easily accessible



- Do not touch the power cord during lightning. To avoid electric shock, avoid handling the power cord during electrical storms.
- Unplug your Sound Bar during a lightning storm or when it will not be used for long periods of time. This will protect your Sound Bar from damage due to power surges.
- Do not attempt to repair or service Sound Bar yourself. Opening or removing the front cover may expose you to high voltages, electric shock, and other hazards. If repair is required, contact your dealer and refer all servicing to qualified service personnel.
- Keep your Sound Bar away from moisture. Do not expose your Sound Bar to rain or moisture. If water penetrates into your Sound Bar, unplug the power cord and contact your dealer. Continuous use in this case may result in fire or electric shock.
- Do not use your Sound Bar if any abnormality occurs. If any smoke or odor becomes apparent, unplug the power cord and contact your dealer immediately. Do not try to repair your Sound Bar yourself.
- Avoid using dropped or damaged appliances. If your Sound Bar is dropped and the housing is damaged, the internal components may function abnormally. Unplug the power cord immediately and contact your dealer for repair. Continued use of your Sound Bar may cause fire or electric shock.
- Do not install your Sound Bar in an area with heavy dust or high humidity. Operating your Sound Bar in environments with heavy dust or high humidity may cause fire or electric shock.
- Ensure that the power cord and any other cables are unplugged before moving your Sound Bar.
- When unplugging your Sound Bar, hold the power plug, not the cord. Pulling on the power cord may damage the wires inside the cord and cause fire or electric shock. When your Sound Bar will not be used for an extended period of time, unplug the power cord.
- To reduce risk of electric shock, do not touch the connector with wet hands.
- Insert the remote control battery in accordance with instructions. Incorrect polarity may cause the battery to leak which can damage the remote control or injure the operator.
- If any of the following occurs, contact the dealer:
 - The power cord fails or frays
 - Liquid sprays or any object drops into your Sound Bar
 - Sound Bar is exposed to rain or other moisture
 - Sound Bar is dropped or damaged in any way
 - The performance of your Sound Bar changes substantially



WARNING



DO NOT INGEST BATTERY, CHEMICAL BURN HAZARD

The remote control supplied with this product contains a coin/button cell battery. If the coin/button cell battery. If the coin/button cell battery is swallowed, it can cause severe internal burns in just two (2)

hours and can lead to death.

Keep new and used batteries away from children. If the battery compartment does not close securely, stop using the product and keep it away from children.

If you think batteries might have been swallowed or placed inside any part of the body, seek immediate medical attention.

A warning that batteries (battery pack or batteries installed) shall not be exposed to excessive heat such as sunshine, fire, or the like.

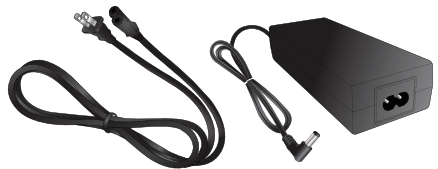
PACKAGE CONTENTS



High Definition Sound Bar



Wireless Subwoofer



Power Adapter w/Cable



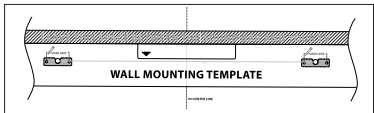
Remote Control with Battery



Wall Mount Brackets (2)



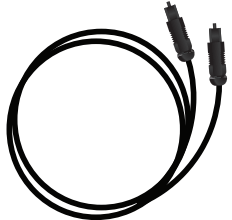
This Quick Start Guide



Wall Mount Template



Stereo RCA to 3.5mm Audio Cable



Optical Cable

CONTROLS & CONNECTIONS

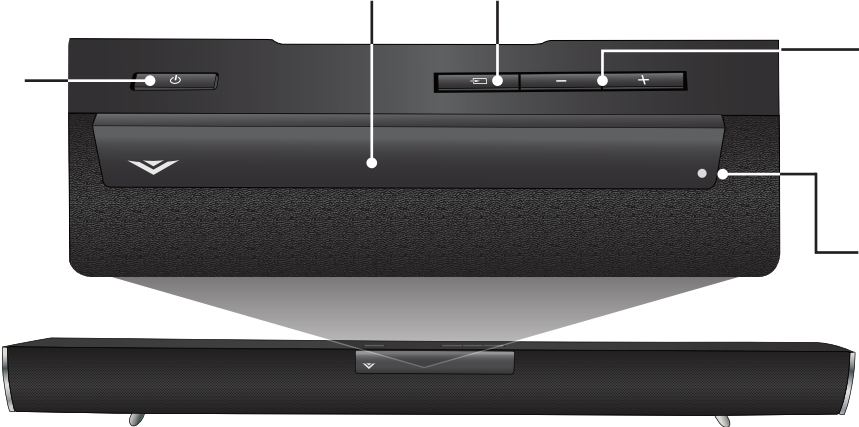
Info Display
Displays volume, input, and other information.

Input
Press to change input source.

Power
Press to turn on or off.

Volume Up/Down
Press to increase or decrease overall volume.

Power Light
When Sound Bar is on, this light is on.



Link LED Light

Link Button
Used to re-link the Subwoofer with the Sound Bar.

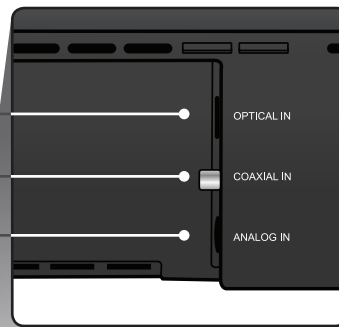
Power Switch
Press to turn on or off.

Power Cord

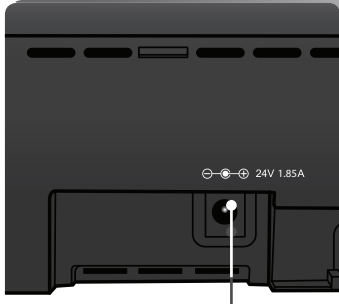
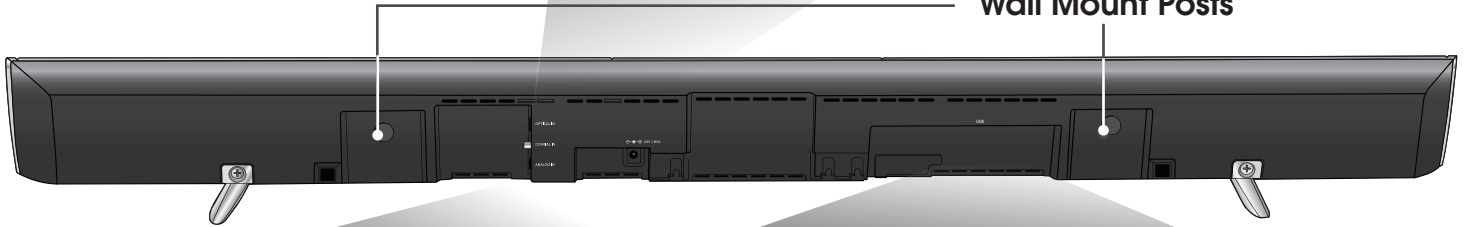
Digital Optical In

Digital Coaxial In

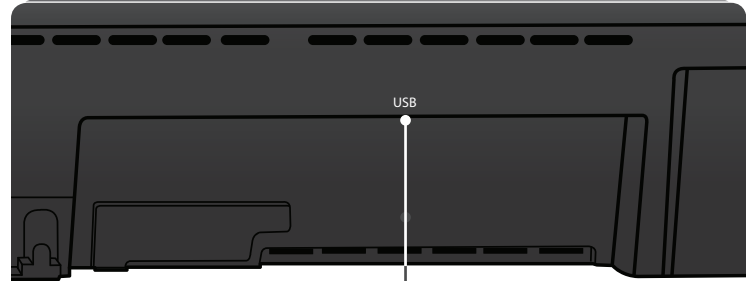
Analog 3.5mm In



Wall Mount Posts



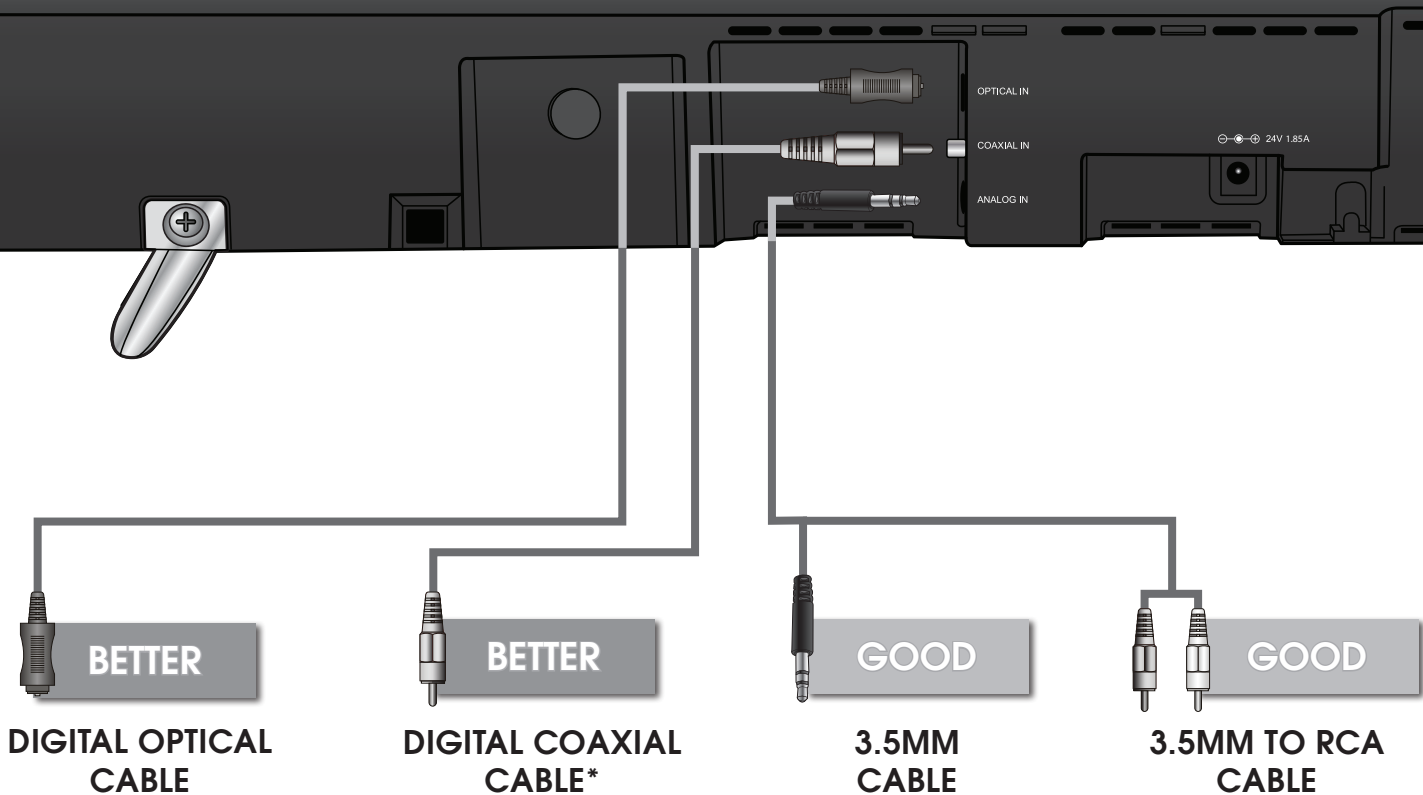
Power Port



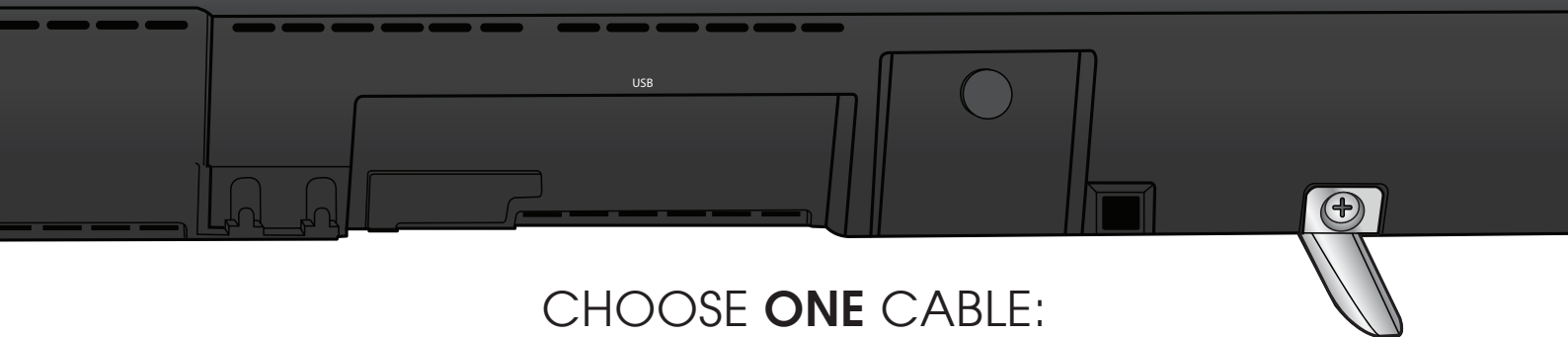
USB Port

FIRST-TIME SETUP

1



*Not Included



CHOOSE **ONE** CABLE:

GOOD

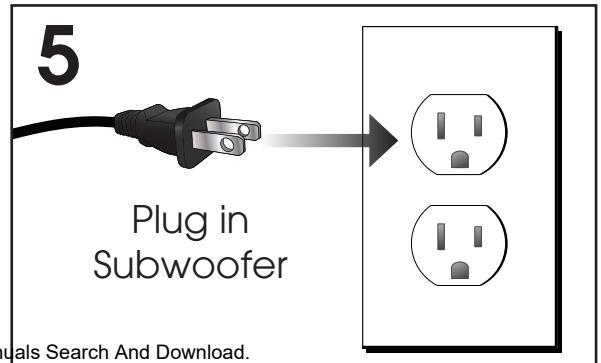
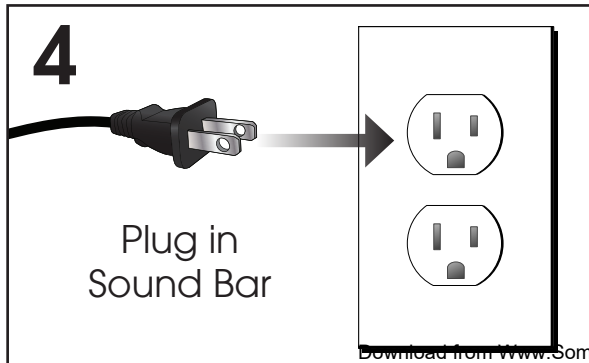
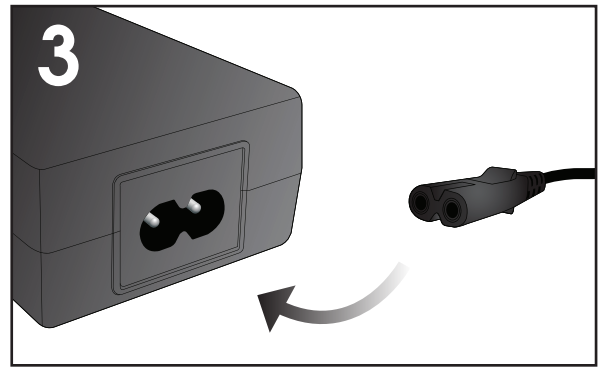
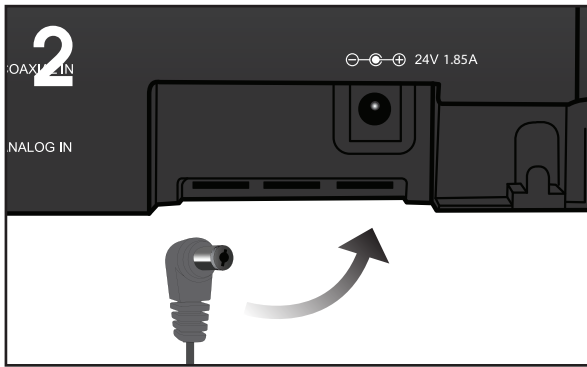
BETTER

AND CONNECT IT TO YOUR TV



Connect the Sound Bar to your TV using one of the connection types to the left. Choose the best possible connection type.

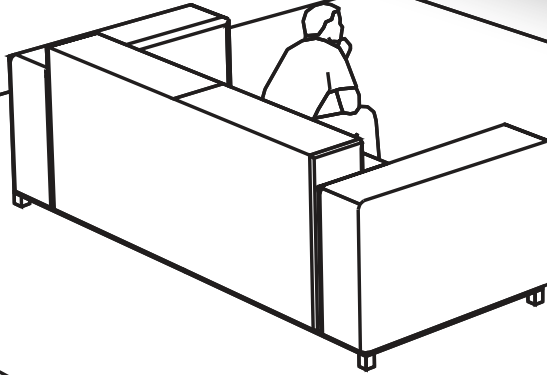
Be sure the TV port is an audio output, not an audio input.



6

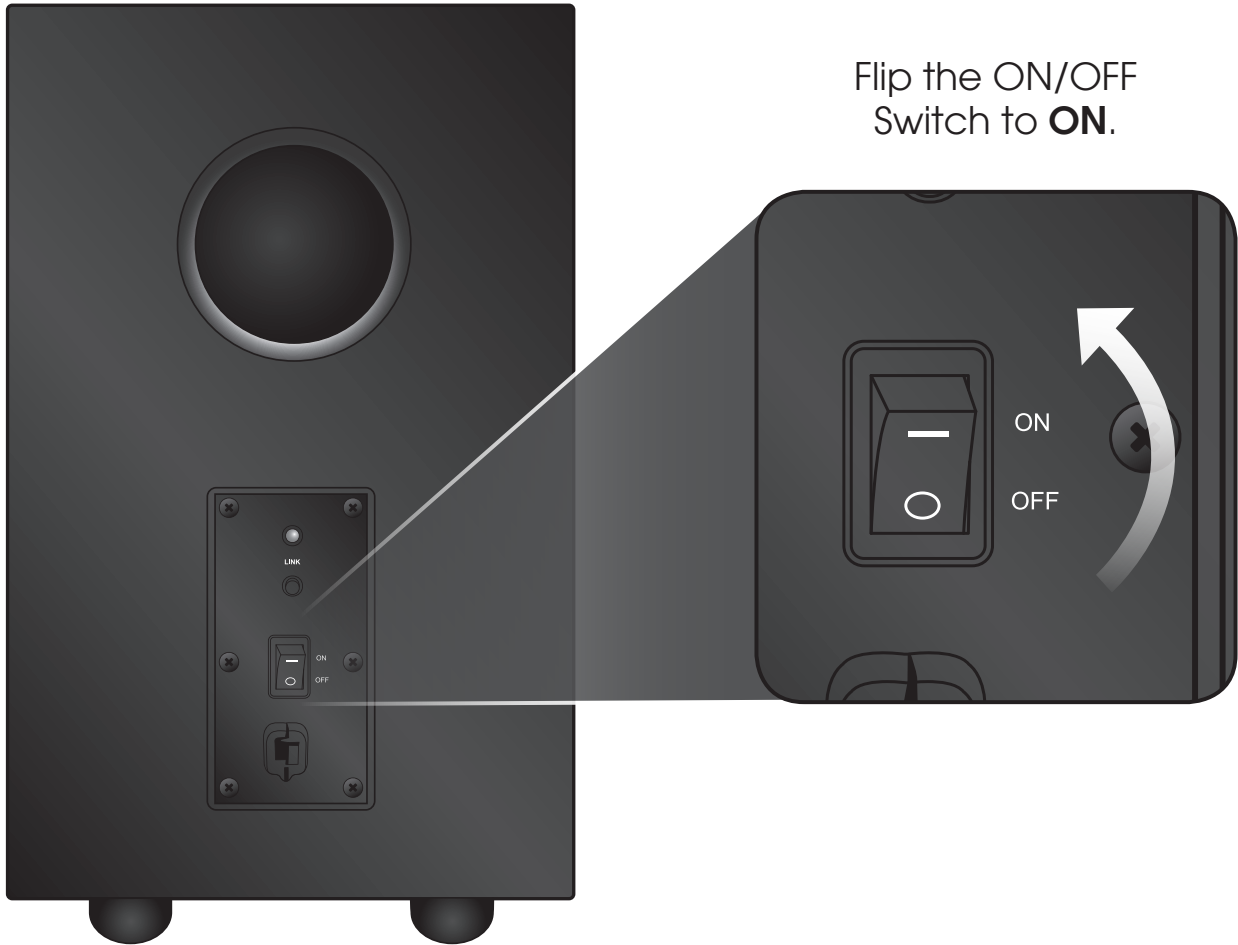
Sound Bar is centered below the TV, close to ear level.

Wireless Subwoofer is in the front corner of the room, up to 60 feet away from the Sound Bar. Bass is projected outward.



For the best surround sound experience, position the speakers as shown.

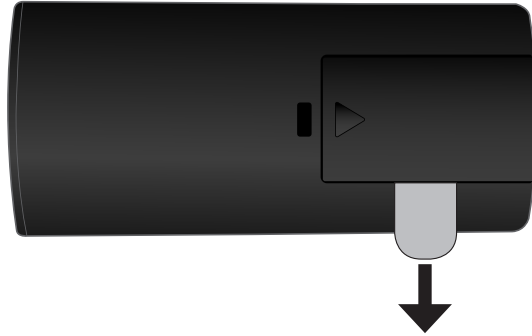
7



Flip the ON/OFF
Switch to **ON**.

8

Gently pull the plastic tab from the back of the remote control. (The plastic tab can be thrown away)



9

Turn your TV on, then press the **Power** button on the remote to turn the Sound Bar on.

Press the **Input** button on the remote until your connection type is displayed. Push repeatedly to cycle through input sources (Analog In, Coaxial In, Optical In, and USB).

Setup is complete.



USING THE REMOTE

Power

Press to turn on or off.

Volume Up

Press to increase overall system volume.

Rewind/Previous

Press and hold to rewind.
Press to go to last track.

Volume Down

Press to decrease overall system volume.

Input

Press to output audio from the selected device port. Press repeatedly to cycle through available inputs.



Play/Pause

Press to play or pause track.

Fast Forward/Next

Press and hold to fast forward.
Press to advance to next track.

Mute

Press to turn the sound on or off.

Menu

Press to display menu options.

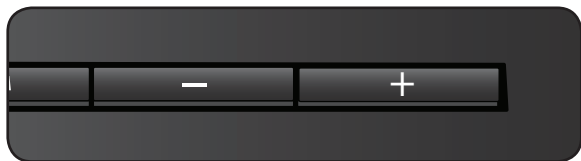
SRS TruVolume

When on, SRS TruVolume intelligently normalizes volume fluctuations due to television commercials or channel changes.

SRS TruSurround HD

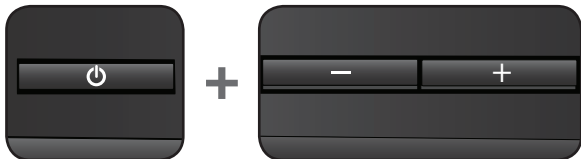
When on, SRS TruSurround HD delivers enveloping, immersive surround sound, making every seat in the room the "sweet spot".

EXTENDED FUNCTIONS USING BUTTON COMBINATIONS



Mute/Unmute = Volume Up + Volume Down

Press and hold both buttons for 1 second to mute/unmute your Sound Bar.



Factory Reset = Power + Volume Up + Volume Down

Press and hold all 3 buttons for 10 seconds to return your Sound Bar to its factory default settings.

THE SOUND BAR INFO DISPLAY

Volume - Increase or decrease volume



Bass Level - Increase or decrease bass level



Treble Level - Increase or decrease treble level



SRS TruVolume - Toggle SRS TruVolume on or off



SRS TruSurround - Toggle SRS TruSurround on or off



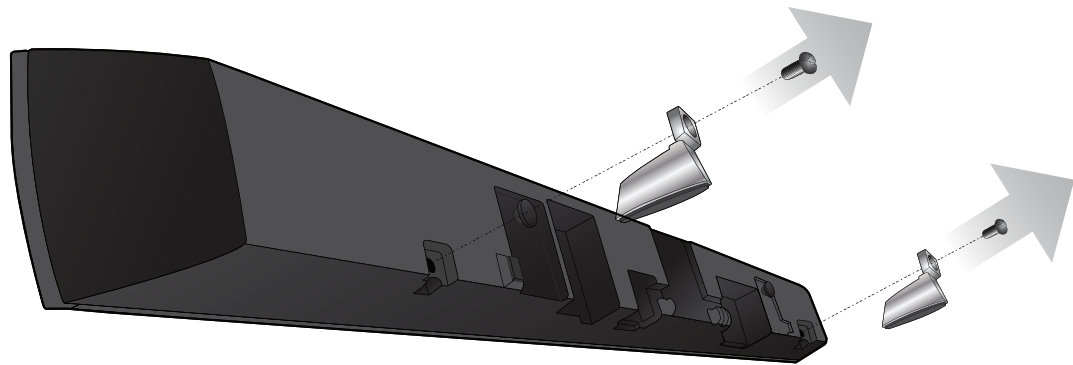
Brightness Level - Increase or decrease brightness level



To conserve energy, after displaying a message for several seconds, the Info Display automatically shuts off.

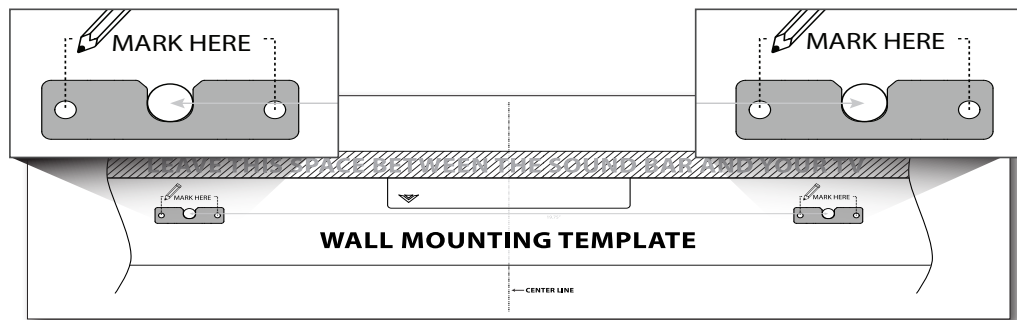
WALL MOUNTING THE SOUND BAR

1



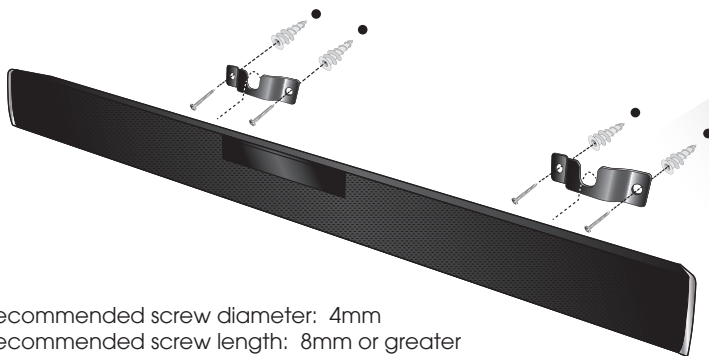
Use a phillips-head screwdriver to remove the screws from the Sound Bar stands. Reinsert the screws for safekeeping. Save the stands for future use.

2

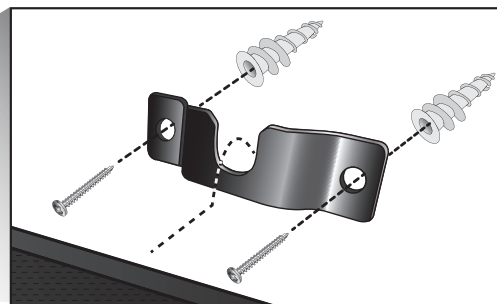


Place the included wall mounting template against the wall under your TV. Mark the locations of the 4 bracket holes using a pencil.

3



Recommended screw diameter: 4mm
Recommended screw length: 8mm or greater

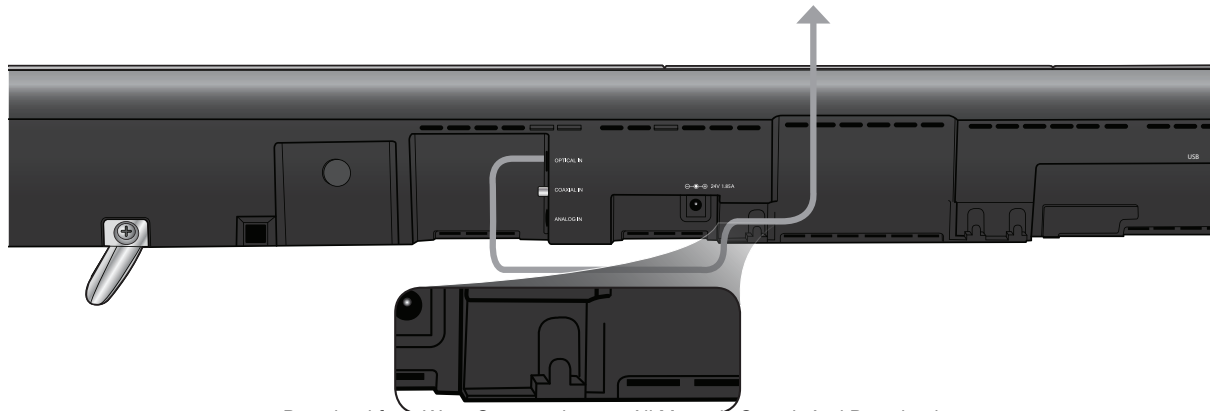


The screws and anchors depicted are not included. The appropriate screws and anchors will depend on the material of your wall. Be sure that the screws and/or anchors you use are securely fastened and can support the weight of the Sound Bar.

Attach the brackets to the wall as shown. Gently hang the Sound Bar on the brackets using the wall mount posts on the back of the Bar.

4

Use the cable management hooks to route your audio cables to your TV.



RE-LINKING THE SUBWOOFER AND SOUND BAR

1



You may need to re-link the Subwoofer to the Sound Bar if there is no sound coming from the Subwoofer and the orange light on the rear of the Subwoofer is either blinking or not lit.

2



Press and hold the **INPUT** button on the top of the Sound Bar for 5 seconds. The Sound Bar will display **Pairing**.

3



Press and hold the **LINK** button on the back of the Subwoofer until the Sound Bar displays **Paired**.

REPLACING THE REMOTE BATTERY

1



Insert a flat-head screwdriver into the slot as shown. Gently push down on the tab, then press and pull downward on the battery cover to open.

2



When replacing an old battery with a new CR2032, be sure that the + sign on the battery is facing up. Push the battery cover until it clicks back into place.

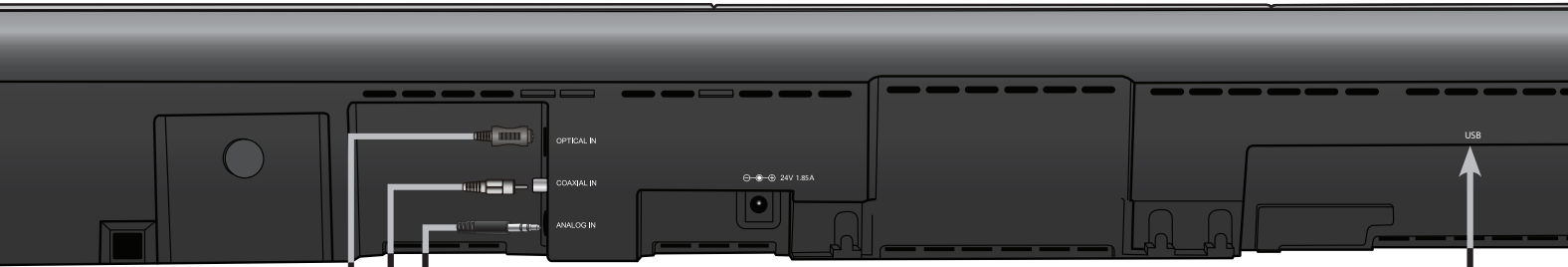
PROGRAMMING YOUR UNIVERSAL REMOTE

Many universal remote controls can be programmed to control your Sound Bar.

As each universal remote works differently, you should refer to your remote's user manual for instructions on programming.

CONNECTING ADDITIONAL DEVICES

Connect up to four different devices to the Sound Bar (devices shown are examples—you can use any device).
To listen to a device, change the input source on the Sound Bar.



Optical, Coaxial, and 3.5mm cables transmit audio only. If connecting a video device, you will need a separate video connection from the device to your TV.

DIGITAL OPTICAL CABLE

DIGITAL COAXIAL CABLE*

3.5mm CABLE

USB THUMB DRIVE™



Game Console



Network Media Player



Tablet/MP3 Player/Laptop

*Not Included

VIZIO RECOMMENDS



The VIZIO Co-Star™ Stream Player merges live TV and streaming entertainment into one experience, turning any HDTV into the ultimate smart TV. Using the latest version of Google TV™, Co-Star decks out your existing HDTV with apps, full-screen Web browsing and the best in streaming entertainment. And with 1080p Full HD resolution, built-in Wi-Fi, and 3D-readiness, VIZIO Co-Star is the ultimate entertainment upgrade for any high-definition television.

HELP & TROUBLESHOOTING



All VIZIO products include FREE lifetime technical support.

The VIZIO support team is highly trained and is based in the United States.

We can help with:

- Product Setup
- Technical Problems
- Warranty Questions
- And More

Hours of operation:

Monday - Friday: 5 AM TO 9 PM (PST)

Saturday - Sunday: 8 AM TO 4 PM (PST)

Phone: (877) 698-4946 (TOLL-FREE)

Email: techsupport@VIZIO.com

Web: www.VIZIO.com/support

There is no power.

- Press the **POWER** button on the remote control or on the top of your Sound Bar.
- Ensure the power cord is securely connected.
- Ensure the light on the power adapter is glowing green.
- Plug a different device into the electrical outlet to verify that the outlet is working correctly.

There is no sound.

- Increase the volume. Press **Volume Up** on the remote control or on the top of your Sound Bar.
- Press **MUTE** on the remote to ensure the Sound Bar is not muted.
- Press **INPUT** on the remote or on the top of your Sound Bar to select a different input source.
- If you are using a SPDIF/Optical connection, make sure your TV is set to PCM audio output.
- Your TV may be set to variable audio output. Confirm that the audio output setting is set to **FIXED** or **STANDARD**, not **VARIABLE**. Consult your TV's user manual for more detailed information.
- If using Bluetooth, ensure that the volume on your source device is turned up and that the device is not muted.
- If using Bluetooth, ensure that your source device is paired with the Sound Bar.

I hear buzzing or humming.

- Ensure all cables and wires are securely connected.
- Connect a different source device (TV, Blu-ray player, etc) to see if the buzzing persists. If it does not, the problem may be with the original device.
- Connect your device to a different electrical outlet.

The remote isn't working.

- Make sure the plastic tab has been removed from the battery compartment.
 - Replace the remote battery with a new one.
 - Point the remote directly at the Sound Bar when pressing a button.
 - If using a Bluetooth connection, some of the buttons on the remote may not be supported by the streaming application. (e.g., a music streaming app may not support the Back/Fast Rewind button.)
-

There is no sound coming from the Subwoofer

- If the lights on the Subwoofer are in a slow blink pattern, you will need to pair the Subwoofer with the Sound Bar. See Re-Linking the Subwoofer and Sound Bar on page 16.
 - Move the Subwoofer closer to the Sound Bar
 - Turn the Subwoofer power switch to **ON**.
 - To conserve power, the Subwoofer will automatically enter a low power state when not in use. It may take up to 20 seconds for the Subwoofer to link after the Sound Bar is turned on.
-

How do I listen to SRS TruSurround or Dolby Digital?

- To activate SRS TSHD, press the **Menu** button on the remote and use the arrow keys to scroll to the TSHD screen to toggle between on and off.
 - To listen to Dolby Digital, your device must be playing content in Dolby Digital format. Dolby Digital is only available over Digital Coaxial or Digital Optical.
-

I would like to adjust the sound on the Subwoofer and the Sound Bar.

- Adjust the bass and treble levels using the remote
 - Try enabling/disabling SRS TruSurround.
-

I want to return my Sound Bar to factory settings.

- Press and hold the **Power**, **Volume Up**, and **Volume Down** buttons for 10 seconds to return your Sound Bar to its factory default settings.

ONE-YEAR LIMITED WARRANTY

ON PARTS AND LABOR

Covers units purchased as new in United States and Puerto Rico Only

VIZIO provides a warranty to the original purchaser of a new Product against defects in materials and workmanship for a period of one year of non-commercial usage and ninety (90) days of commercial use. If a Product covered by this warranty is determined to be defective within the warranty period, VIZIO will either repair or replace the Product at its sole option and discretion.

To obtain warranty service, contact VIZIO Technical Support via email: TechSupport@VIZIO.com or via phone at 877 MY VIZIO (877.698.4946) from 5:00AM to 9:00PM Monday through Friday and 8:00AM to 4:00PM Saturday and Sunday, Pacific Time, or visit www.VIZIO.com. PRE-AUTHORIZATION MUST BE OBTAINED BEFORE SENDING ANY PRODUCT TO A VIZIO SERVICE CENTER. Proof of purchase in the form of a purchase receipt or copy thereof is required to show that a Product is within the warranty period.

Parts and Labor

There will be no charge for parts or labor during the warranty period. Replacement parts and Products may be new or recertified at VIZIO's option and sole discretion. Replacement parts and Products are warranted for the remaining portion of the original warranty or for ninety (90) days from warranty service or replacement, whichever is greater.

Type of Service

Defective Products must be sent to a VIZIO service center to obtain warranty service. VIZIO is not responsible for transportation costs to the service center, but VIZIO will cover return shipping to the customer. PRE-AUTHORIZATION IS REQUIRED BEFORE SENDING ANY PRODUCT TO A VIZIO SERVICE CENTER FOR WARRANTY SERVICE.

Product returns to VIZIO's service centers must utilize either the original carton box and shipping material or packaging that affords an equal degree of protection. VIZIO Technical Support will provide instructions for packing and shipping the covered Product to the VIZIO service center.

Limitations and Exclusions

VIZIO's one-year limited warranty only covers defects in materials and workmanship. This warranty does not cover, for example: cosmetic damage, normal wear and tear, improper operation, improper voltage supply or power surges, signal issues, damages from shipping, acts of God, any type of customer misuse, modifications or adjustments, as well as installation and set-up issues or any repairs attempted by anyone other than by a VIZIO authorized service center. Products with unreadable or removed serial numbers, or requiring routine maintenance are not covered. This one year limited warranty does not cover Products sold "AS IS", "FACTORY RECERTIFIED", or by a non-authorized reseller.

THERE ARE NO EXPRESS WARRANTIES OTHER THAN THOSE LISTED OR DESCRIBED ABOVE. ANY IMPLIED WARRANTIES, INCLUDING ANY IMPLIED WARRANTY OF MERCHANTABILITY AND FITNESS FOR A PARTICULAR PURPOSE, SHALL BE LIMITED IN DURATION TO THE PERIOD OF TIME SET FORTH ABOVE. VIZIO'S TOTAL LIABILITY FOR ANY AND ALL LOSSES AND DAMAGES RESULTING FROM ANY CAUSE WHATSOEVER INCLUDING VIZIO'S NEGLIGENCE, ALLEGED DAMAGE, OR DEFECTIVE GOODS, WHETHER SUCH DEFECTS ARE DISCOVERABLE OR LATENT, SHALL IN NO EVENT EXCEED THE PURCHASE PRICE OF THE PRODUCT. VIZIO SHALL NOT BE RESPONSIBLE FOR LOSS OF USE, LOSS OF INFORMATION OR DATA, COMMERCIAL LOSS, LOST REVENUE OR LOST PROFITS, OR OTHER INCIDENTAL OR CONSEQUENTIAL DAMAGES. SOME STATES DO NOT ALLOW LIMITATIONS ON HOW LONG AN IMPLIED WARRANTY LASTS OR THE EXCLUSION OF INCIDENTAL OR CONSEQUENTIAL DAMAGES, SO THE ABOVE LIMITATIONS OR EXCLUSIONS MAY NOT APPLY TO YOU. THIS WARRANTY GIVES YOU SPECIFIC LEGAL RIGHTS, AND YOU MAY ALSO HAVE OTHER RIGHTS, WHICH VARY FROM STATE TO STATE. THIS WARRANTY IS SUBJECT TO CHANGE WITHOUT NOTICE. CHECK www.VIZIO.com FOR THE MOST CURRENT VERSION.

SPECIFICATIONS

Sound Bar:	Two 3" Full-range Drivers
Subwoofer	One 6.5" Driver
Inputs:	1 x 3.5mm Stereo Audio 1 x RCA Stereo Audio 1 x Optical (Toslink) 1 x USB (for MP3 Playback)
Sound Pressure Level:	101dB 1w-1m

Frequency Response (Sound Bar):	150Hz-18kHz (+/- 5dB)
Frequency Response (Subwoofer)	40Hz-150Hz
Voltage:	100-240 VAC, 50-60 Hz
Compliances:	FCC, NOM, cULus

LEGAL & COMPLIANCE

FCC Class B Radio Interference Statement

NOTE: This equipment has been tested and found to comply with the limits for a Class B digital device, pursuant to Part 15 of the FCC Rules. These limits are designed to provide reasonable protection against harmful interference in a residential installation. This equipment generates, uses and can radiate radio frequency energy, and if not installed and used in accordance with the instructions, may cause harmful interference to radio communications. However, there is no guarantee that interference will not occur in a particular installation. If this equipment does cause harmful interference to radio or television reception, which can be determined by turning the equipment off and on, the user is encouraged to try to correct the interference by one or more of the following measures:

1. Reorient or relocate the receiving antenna.
2. Increase the separation between the equipment and receiver.
3. Connect the equipment into an outlet on a circuit different from that to which the receiver is connected.
4. Consult the dealer or an experienced radio/TV technician for help.

This device complies with Part 15 of the FCC Rules. Operation is subject to the following two conditions: (1) this device may not cause harmful interference, and (2) this device must accept any interference received, including interference that may cause undesired operation.

Notice:

1. The changes or modifications not expressly approved by the party responsible for compliance could void the user's authority to operate the equipment.
2. Shielded interface cables and AC power cord, if any, must be used in order to comply with the emission limits.
3. The manufacturer is not responsible for any radio or TV interference caused by unauthorized modification to this equipment. It is the responsibilities of the user to correct such interference.

RF Exposure Information

This device meets the government's requirements for exposure to radio waves. This device is designed and manufactured not to exceed the emission limits for exposure to radio frequency (RF) energy set by the Federal Communications Commission of the U.S. Government. This device complies with FCC radiation exposure limits set forth for an uncontrolled environment.

IC Statement

Operation is subject to the following two conditions:

1. This device may not cause interference, and
2. This device must accept any interference, including interference that may cause undesired operation of the device.

This Class B digital apparatus complies with Canadian ICES-003.

Cet appareil numérique de la classe B est conforme à la norme NMB-003 du Canada.

IC Radiation Exposure Statement

This equipment complies with IC RSS-102 radiation exposure limits set forth for an uncontrolled environment. This equipment should be installed and operated with minimum distance 20cm between the radiator & your body.

Disposal and Recycling

You must dispose of this product properly, according to local laws and regulations. Because this product contains electronic components and a battery, it must be disposed of separately from household waste. Contact local authorities to learn about disposal and recycling options.

Other:

Image(s) used under license from Shutterstock.com

Download from www.Somanuals.com. All Manuals Search And Download.



SRS and TruSurround HD are trademarks of SRS Labs, Inc. TruSurround HD and TruVolume technologies are incorporated under license from SRS Labs, Inc.



Manufactured under license from Dolby Laboratories. Dolby and the double-D symbol are trademarks of Dolby Laboratories.



This product qualifies for ENERGY STAR in the "factory default" setting and this is the setting in which power savings will be achieved. Changing the factory default settings or enabling other features will increase power consumption that could exceed the limits necessary to qualify for ENERGY STAR rating.

Free Manuals Download Website

<http://myh66.com>

<http://usermanuals.us>

<http://www.somanuals.com>

<http://www.4manuals.cc>

<http://www.manual-lib.com>

<http://www.404manual.com>

<http://www.luxmanual.com>

<http://aubethermostatmanual.com>

Golf course search by state

<http://golfingnear.com>

Email search by domain

<http://emailbydomain.com>

Auto manuals search

<http://auto.somanuals.com>

TV manuals search

<http://tv.somanuals.com>