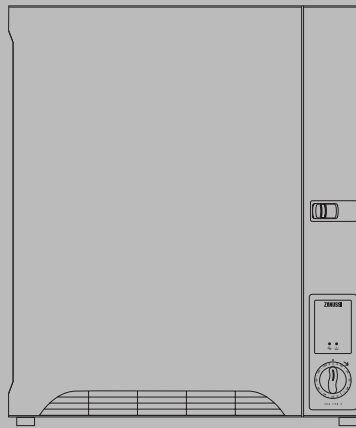


ZANUSSI

TUMBLE DRYER TC 180



Contents

For the user

Safety information	3
Description of the appliance	4-5
Using your appliance	6
- Before you use the dryer for the first time	
- Capacity	
- Examples of laundry item weights	
Programme chart	7
Maintenance and cleaning	8-9
- The filters	
- The condenser	
- Emptying the water tank	
Hints & Tips	10
- Sorting	
- Spinning (water extraction)	
- Getting the load size right	
- Fluff	
- Shrinkage	
- Items which should not be tumble dried	
Something Not Working?	11
Service	12
- Service and Spare Parts	
- Customer Care Department	
Guarantee Conditions	13

For the installer

Technical specifications	14
Unpacking the machine	15
- Damages	
- Accessories	
- Identification of materials	
Installation	16-18
- Positioning	
- Worktop installation	
- Wall mounting	
- Power supply	

Guide to use the instruction book

The following symbols will be found in the text to guide you throughout the instructions:



Safety instructions



Step by step instructions



Hints and tips



Environmental information

Safety information

Before installing and first using the tumble dryer, read this instruction booklet carefully, including its hints and warnings. To avoid unnecessary mistakes and accidents, it is important to ensure that all people using the dryer are thoroughly familiar with its operation and safety features. Save these instructions and make sure they remain with the tumble dryer if it is moved or sold, so that everyone using it through its life can be properly informed on appliance use and safety.

Installation and servicing

- All installation and service work done on the product must be carried out by a qualified technician. Work performed by persons with inadequate knowledge may adversely affect the satisfactory functioning of the product and may cause personal injury or damage. Before any work is carried out on the tumble dryer, it must be isolated from the electrical supply. To do this the power plug must be removed from the wall socket.
- The machine is heavy, so take care when moving it.
- This appliance must be installed in a clean, dry environment. Cabinet damage, which is not covered by guarantee, could result if this recommendation is not followed.
- The power cable must be plugged into an earthed socket, which must be easily accessible. Permanent installation must only be carried out by an authorized electrician.
- Make sure that the power cable is not nipped or otherwise damaged when moving the machine in connection with installation or cleaning etc.
- The ventilation opening at the bottom of the door should not be obstructed if the dryer is on a carpeted floor.
- The adjustable feet must not be removed, these ensure that the underside of the dryer is ventilated.
- Servicing and repairs must be carried out by a trained service technician. Only use genuine spare parts available from your local Service Force Centre. Never try to repair the machine yourself.

Child Safety

- The tumble dryer should be used by adults only. Do not let children play with the controls or other parts of it.
- Keep all packaging well away from children.
- Before loading the machine, check that there are no foreign objects or pets inside the drum.

During Use

- This dryer is intended only for normal domestic drying of laundry and only in accordance with these instructions. Using it for other purposes could lead to physical injury or damage to property and invalidate the guarantee.
- Care must be taken when removing or replacing the condenser as it can be awkward and heavy.

- Do not overload the dryer (see "Using your appliance").
- Never start the dryer unless the fluff filter is clean and correctly in place, or if the fluff filter is damaged (this could cause overheating or damage your laundry).
- Get into the habit of cleaning the condenser at regular intervals. Keeping the condenser as clean as possible makes the dryer more efficient and means shorter drying times.
- Do not allow fluff to accumulate around the dryer.
- As some bulky items such as duvets and eiderdowns should be dried in large commercial machines because of their bulk, check with the manufacturer of the item if it is suitable for drying in a domestic machine, even if the dry weight of the item is within the limit advised.
- Laundry which has been in contact with chemicals such as dry cleaning fluid and similar, should not be dried in the machine, since volatile chemicals can be a fire risk.
- The following items/materials should not be dried in the machine either:
 - Pillows, cushions, down-filled items etc. (these cause a build-up of heat and can make the dryer overheat)
 - Wool, on account of its tendency to mat
 - Especially sensitive textiles, such as synthetic curtains, silk etc.
 - Garments made of foam rubber or rubber-like materials must not be dried in the machine.
- Make sure that the machine is disconnected from the power supply during cleaning and maintenance work.
- Always switch off and unplug the appliance after use. When removing the electrical plug, grip the plug, not the lead.

Conservation

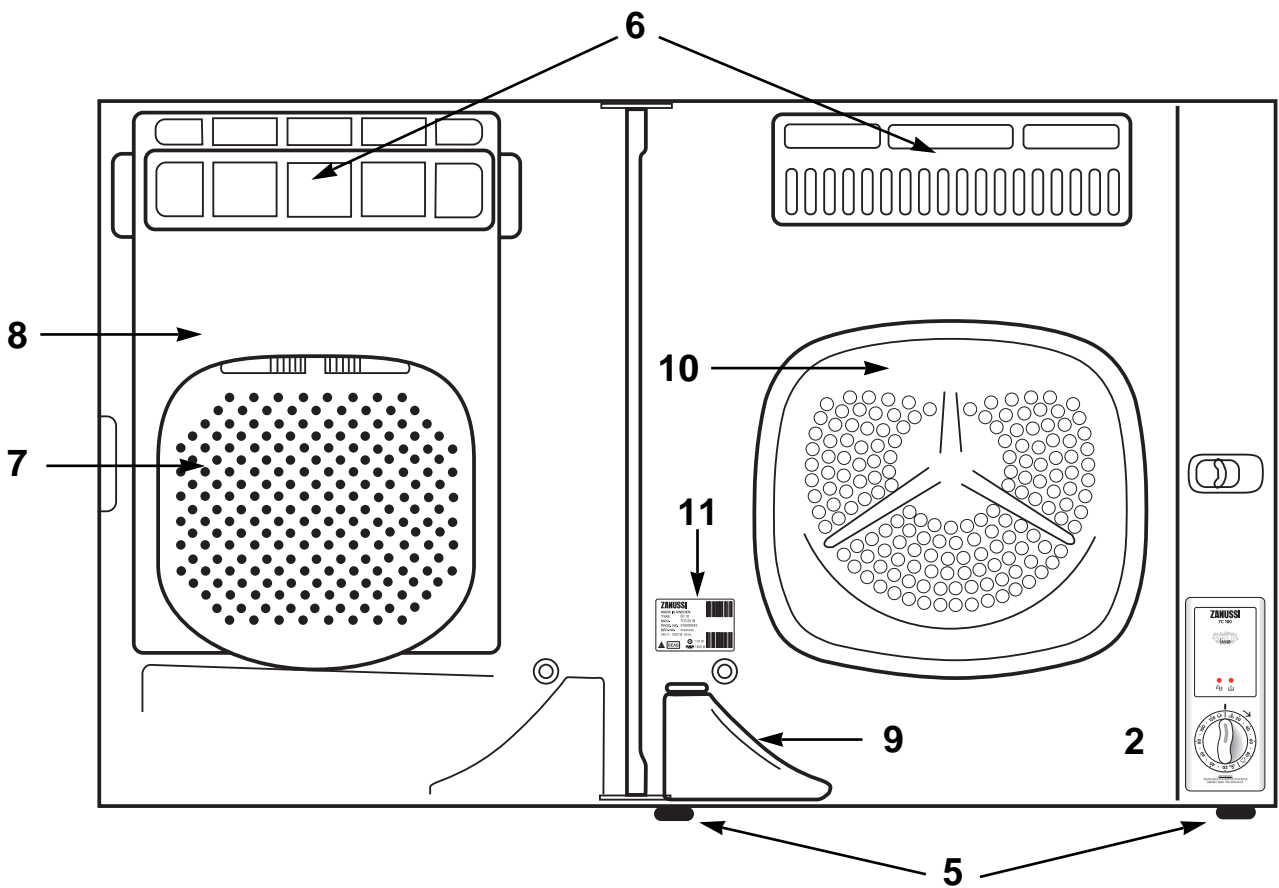
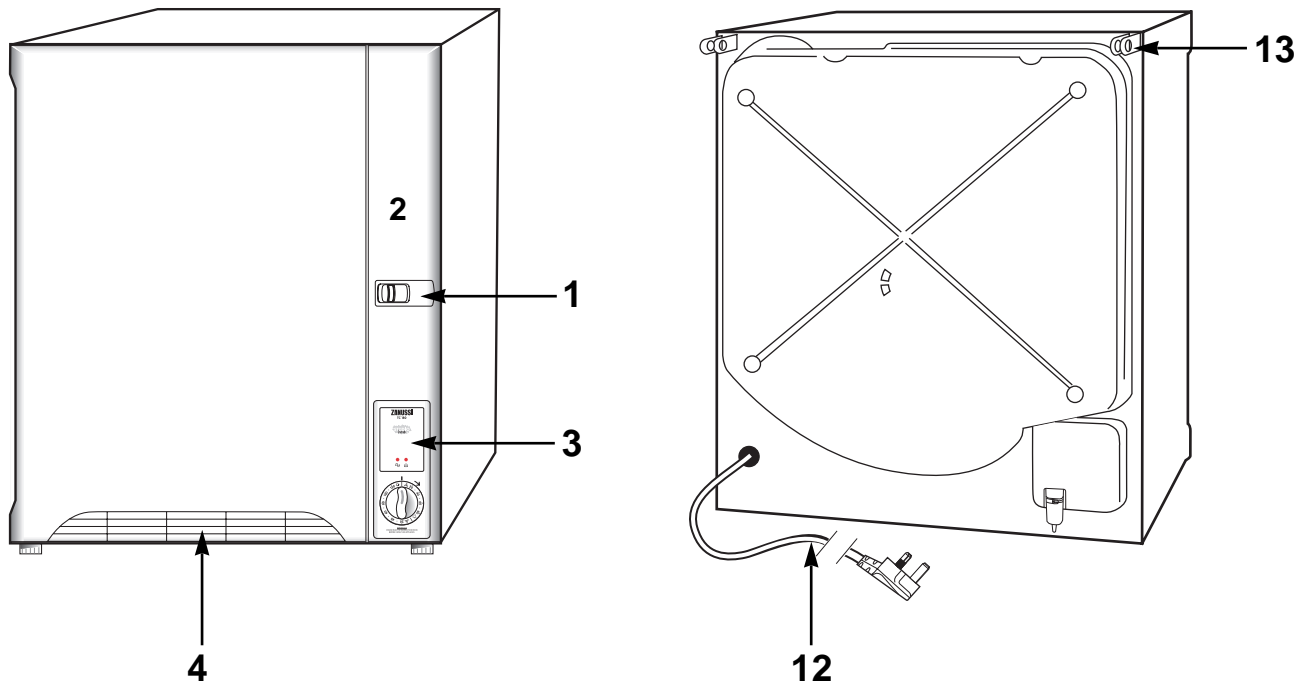
- packaging:

All materials used in packaging this appliance are environmentally-friendly. The various plastics used are identified and can be recycled.

- old appliances:

At the end of the appliance's useful life, disconnect the electrical plug from the power supply, then cut the electrical cable at the point where it enters the appliance. Disable any door locks and ensure that children will not be able to play with it.

Description of the appliance





1. **Door Latch** (push the knob to the right to open)

2. **Space for programme chart**
(Self-adhesive label)

3. **Control panel with indicator lights**

• **Lights**

 **A.** Indicates the dryer is running

 **B.** Indicates that the water tank is full

• **On/off timer knob**

C. Turn this knob in a clockwise direction to start the dryer and set both the drying time and the drying temperature.

High heat: The timer indicates up to 120 mins for cotton/linen.

Low heat: The time indicates up to 80 mins for synthetics.

The last 8 - 12 minutes of each drying cycle is a cool down phase.

4. **Warm air discharge**

5. **Adjustable feet**

If the dryer is not being wall mounted the feet need to be adjusted so that the dryer is level.

6. **Air ducts** - These should not be obstructed.

7. **Filters**

Should be cleaned before or after each load.
The fluff filter is behind the coarse filter and can be removed for cleaning.

8. **Condenser**

This is built into the door and needs to be cleaned at regular intervals.

9. **Water tank**

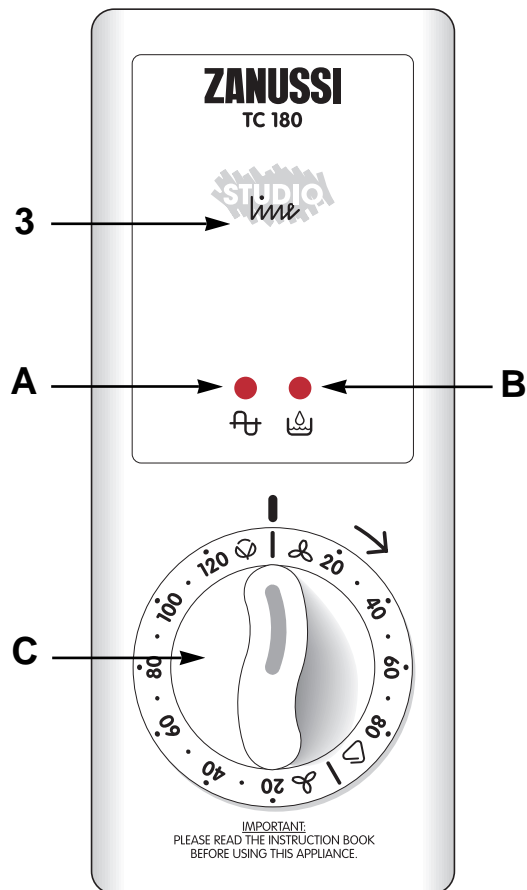
This fills up with the water condensed by the dryer, and should be emptied before or after each load. When the tank is full, warning light (B) will come on and the dryer will stop automatically. It cannot be restarted until the tank has been emptied.

10. **Drum**

11. **Rating plate**

12. **Electrical supply cable**

13. **Non-tip device**




Using your appliance

Before using the dryer for the first time

Dampen some clean pieces of unwanted cloth and dry them for about 15 minutes the very first time, to make sure that there is no dust or dirt in the dryer.

1. Check that the dryer is connected to the electrical supply.
2. Open the door by pushing the knob to the right (A).
3. Check that the fluff filter (B) is clean and that the coarse filter (C) is lowered and has snapped into place.
4. Check that the water tank (D) is empty and pushed correctly into place.
5. Put the load for drying into the machine. Make sure that it is right inside the drum. Do not mix synthetics with natural materials.
6. According to the type of load, turn the on/off timer knob (E) and choose a suitable drying time on either the *Cotton* or the *Synthetics* time scale.
7. Close the door and the machine starts.

 It is advisable not to open the door during a programme as this could cause water to leak from the machine.

Capacity (dry items)

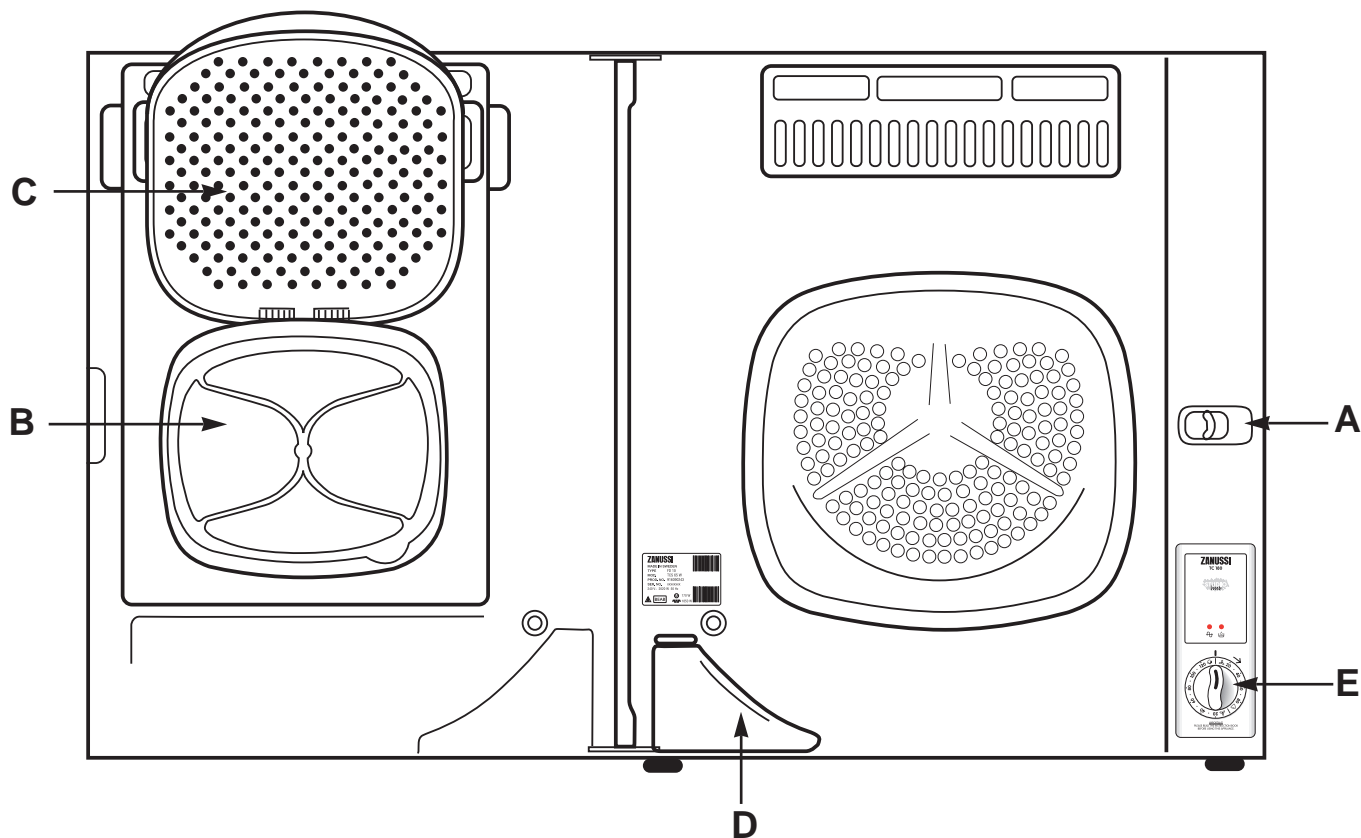
Cotton	max. 3.4 kg
Synthetics	max. 1.5 kg

Examples of laundry item weights (dry items)

Here is a list of common laundry items and their approximate weights

Sheet	700 to 1000g
Pillowcase	100 to 200g
Tablecloth	400 to 500g
Table Napkin	50 to 100g
Kitchen Towel	70 to 120g
Linen Hand Towel	100 to 150g
Hand Towel	150 to 250g
Bath Towel	700 to 1000g
Bathrobe	100 to 1500g
Shirt	200 to 300g
Apron	150 to 200g

The best and most economical load is the maximum indicated for the different types of fabric.



Programme chart

Which programme should I use?

Timed drying

This programme chart is designed to help you dry your laundry correctly. The programme/timer knob has two different sections, each with its own drying temperature and time scale:





is used to represent cotton. Here you can set the dryer for up to 120 minutes, because cotton and thick non-synthetic fabrics need longer to dry.



is used to represent synthetic fabrics and delicate items. Because these are more sensitive than cotton, they need a lower drying temperature. Here you can set the dryer for up to 80 minutes.

Do not overdry your laundry. It can make it difficult to iron and harsher to the touch, as well as wasting energy. During the last 8-12 minutes of each programme, the load is cooled to reduce the risk of creasing.

COTTON		DRYING TIME max 120 min 	
Type of laundry	How dry?	Spun at approx. 800 rpm before drying	
Cottons Towelling (Terry) Sheets Towels	Cupboard dry	3,4 kg 2,0 kg 1,0 kg	95 - 110 min 70 - 80 min 50 - 60 min
	Iron dry	3,4 kg 2,0 kg 1,0 kg	80 - 95 min 55 - 75 min 45 - 55 min
SYNTHETICS		DRYING TIME max 80 min 	
Type of laundry	How dry?	Short spun before drying	
Items which need a reduced drying temperature			
Delicate items Heat-sensitive items (see garment care label)	Cupboard dry	1,5 kg 1,0 kg 0,7 kg	65 - 75 min 45 - 55 min 40 - 50 min
	Iron dry	1,5 kg 1,0 kg 0,7 kg	50 - 60 min 35 - 40 min 30 - 35 min

If the laundry is spun at less than 800 rpm, the residual dampness will be higher and consequently the drying time should be increased. If the laundry is spun at 1000 rpm or higher the residual dampness will be lower and consequently the drying time can be reduced.

Maintenance and cleaning

The filters

For your tumble dryer to function correctly, the filters need to be cleaned before or after every load dried.

To clean them:

1. Open the door.
2. Open the coarse filter upwards (Fig. A).
3. Brush the fluff off the fluff filter, which is under the coarse filter (Fig. B). Sometimes you may need to remove the fluff filter to clean it on both sides. Make sure that you put the fluff filter back correctly after cleaning, before closing the coarse filter.



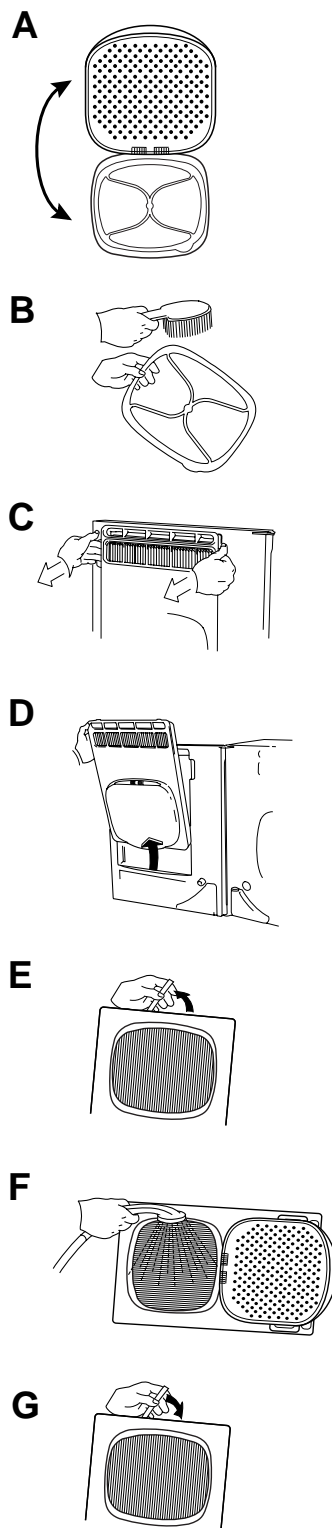
Never start the dryer unless the fluff filter is clean and correctly in place, or if the fluff filter is damaged (this could cause overheating).

The condenser

As in all types of tumble dryer, the air circulated through the dryer picks up fluff. As a result, some fluff will accumulate in the condenser, so it needs to be cleaned occasionally.

To clean the condenser:

1. Open the door and open the coarse filter upwards.
2. Remove the fluff filter and close the coarse filter again.
3. Grasp the recesses at the top of the condenser with your fingers and use your thumbs to press against the door (Fig. C & D). The condenser will come free, allowing you to lift it outwards/upwards. Be careful not to damage the sensitive aluminium section.
4. Turn it upside down and clean it on both sides, using a vacuum cleaner. Remove the red drain plug on the lower edge of the condenser (Fig E). Lay the condenser flat and fill it with water through the filter opening. Now leave the condenser to soak in water for about 5 minutes, then shower both sides with hot water. (Fig. F). Dry the condenser carefully afterwards. Don't forget to put back the red drain plug (Fig. G).
5. Put the condenser back in the dryer. Make sure that its base is lined up in the slots in the condenser cavity inside the dryer door. Press the condenser carefully into place until you feel and hear a gentle "snap". Put back the fluff filter and close the coarse filter.



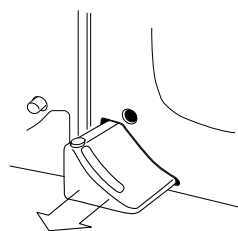
Emptying the water tank

A warning light on the control panel will come on when it is time to empty the water tank. If it is operating when this happens, the dryer will stop automatically until the tank is emptied. It is a good idea to get into the habit of emptying the tank either before or after each load.

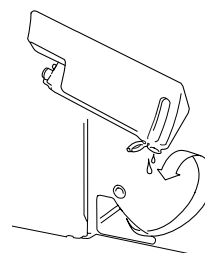
To empty the tank:

1. Open the door.
2. Pull out the tank (Fig. A).
3. Open the tank lid and pour the water out (Fig. B).
4. Close the lid and push the tank back into place. Press it home until you can feel that it is properly in place.

A



B



Hints & Tips

Sorting

Always sort loads for drying according to the type of fabric (check the care labels) and how much you want to dry them. Load items loosely into the drum. Do up zip fasteners and tie loose ribbons, tapes or fabric belts. Close any tapes or fasteners on duvet covers and pillow cases to prevent smaller items from getting trapped inside.

Spinning (water extraction)

Loads should be well spun. The higher the spin speed, the faster your tumble dryer will dry the load and the more energy-efficient the whole process will be. Do not tumble dry dripping wet garments.

Getting the load size right

An overloaded tumble dryer will cause creasing. Drying loads which are too small is uneconomical.

Fluff

The first time you use the tumble dryer, you will probably be surprised at the amount of fluff produced. This is perfectly normal, and does not mean that your tumble dryer is wearing out your clothes. When garments are worn and washed by hand or machine, fibres and fluff are released, but remain on the surface of the material. If dried outdoors on a line these fibres will be blown away by the wind. In a tumble dryer the fluff is collected in the filter and accumulates through the drying process.

Shrinkage

To avoid shrinking, garments should not be overdried. Always check the care labels on your fabrics.

Items which should not be tumble dried

Items which are especially delicate, such as curtains of synthetic fabric, woollen garments, silk, textiles with a metal component, nylon socks/stockings. Garments made mostly from foam rubber or rubber-like materials must **NOT** be dried in the tumble dryer.



Obviously, you must not dry garments in the machine which are unsuitable for tumble drying. These are usually labelled with this symbol.



Garments which have been treated with flammable liquids (benzine, alcohol, stain removal products) should not be dried in the tumble dryer on account of the risk of fire. Always follow the recommendations of the garment/item manufacturer.



Tumble drying beneficial



Dry flat

Something Not Working?

Before calling out an engineer, please check through the details below because some faults can be rectified easily without the need to call out an engineer. If an engineer is called to resolve a problem listed below or to repair a fault caused by incorrect installation or mis-use a charge will be made, even if the appliance is under guarantee.

Fault	Check
<p>The machine will not start.</p>	<ul style="list-style-type: none"> ■ Is the door closed properly? ■ Is there power to the machine? ■ Has the fuse blown? (Start with fuse in electrical plug). ■ Have you set the program/timer knob properly? ■ Is the water tank full?
<p>The load is not drying properly, or is taking long time to dry.</p>	<ul style="list-style-type: none"> ■ Was the time set not long enough? ■ Is the load too large? Cotton max 3,4 kg Synthetics max 1,5 kg ■ Is the fluff filter clogged? ■ Is the condenser clogged? ■ Was the load not spun enough in the washing machine? ■ Have you been using the "Synthetics" setting (on the timer) (lower drying temperature)? ■ Is the temperature in the room too high? Must not exceed +35° C.
<p>The area around the dryer is hot.</p>	<ul style="list-style-type: none"> ■ Is the room too small? (Improve the room ventilation, open a door or window or choose another site for the dryer).



Never attempt to repair the tumble dryer yourself. Repairs carried out by unauthorised or inexperienced persons can cause injury or serious malfunctioning.



This appliance complies with the following E.E.C. directives:

- 73/23/EEC, dated 19.02.1973 – low-voltage directive.
- 89/336/EEC, dated 03.05.1989 (incl. amendment
- 92/31/EEC) – directive on electromagnetic compatibility.

Service



Service and Spare Parts

In the event of your appliance requiring service, or if you wish to purchase spare parts, please contact your local Service Force Centre by telephoning:

08705 929929

Your telephone call will be automatically routed to the Service Force Centre covering your post code area.

For the address of your local Service Force Centre and further information about Service Force, please visit the website at www.serviceforce.co.uk

Before calling out an engineer, please ensure you have read the details under the heading "In the event of a fault".

When you contact the Service Force Centre you will need to give the following details:

1. Your name, address and post code
2. Your telephone number
3. Clear and concise details of the fault
4. The model and serial number of the appliance (found on the rating plate)
5. The purchase date

Please note that a valid purchase receipt or guarantee documentation is required for in-guarantee service calls.

Customer Care Department

For general enquiries concerning your Zanussi appliance or for further information on Zanussi products, please contact our Customer Care Department by letter or telephone at the address below or visit our website at www.zanussi.co.uk

Customer Care Department
Zanussi
55-77 High Street
Slough
Berkshire
SL1 1DZ
Tel: 08705 727727 *

* call to this number may be recorded for training purposes.

Guarantee Conditions

Standard guarantee conditions

We, Zanussi, undertake that if within 12 months of the date of the purchase this Zanussi appliance or any part thereof is proved to be defective by reason only of faulty workmanship or materials, we will, at our option repair or replace the same FREE OF CHARGE for labour, materials or carriage on condition that:

- The appliance has been correctly installed and used only on the electricity supply stated on the rating plate
- The appliance has been used for normal domestic purposes only, and in accordance with the manufacturer's instructions
- The appliance has not been serviced, maintained repaired, taken apart or tampered with by any person not authorised by us
- All service work under this guarantee must be undertaken by a Zanussi Service Force Centre
- Any appliance or defective part replaced shall become the Company's property
- This guarantee is in addition to your statutory and other legal rights

Home visits are made between **8.30am** and **5.30pm** Monday to Friday. Visits may be available outside these hours in which case a premium will be charged.

Exclusions

This guarantee does not cover:

- Damage or calls resulting from transportation, improper use or neglect, the replacement of any light bulbs or removable parts of glass or plastic
- Costs incurred for calls to put right an appliance which is improperly installed or calls to appliances outside the United Kingdom
- Appliances found to be in use within a commercial environment, plus those which are the subject to rental agreements
- Products of Zanussi manufacture which are not marketed by Zanussi

European Guarantee

If you should move to another country within Europe then your guarantee moves with you to your new home subject to the following qualifications:

- The guarantee starts from the date you first purchased your product
- The guarantee is for the same period and to the same extent for labour and parts as exists in the new country of use for this brand or range of products
- This guarantee relates to you and cannot be transferred to another user
- Your new home is within the European Community (EC) or European Free Trade Area
- The product is installed and used in accordance with our instructions and is only used domestically, i.e. a normal household
- The product is installed taking into account regulations in your new country

Before you move please contact your nearest Customer Care centre, listed below, to give them details of your new home. They will then ensure that the local Service Organisation is aware of your move and able to look after you and your appliances.

France	Senlis	+33 (0)3 44 62 29 99
Germany	Nurnberg	+49 (0)800 234 7378
Italy	Pordenone	+39 (0)0434 39 4700
Sweden	Stockholm	+46 (0)8 672 53 90
UK	Slough	+44 (0)1753 219897

Installation instructions



Any electrical work required to install this appliance should be carried out by a qualified electrician or competent person.

Technical specifications

DIMENSIONS	Height	686 mm
	Overall Width	605 mm
	Depth	420 mm (with door closed)
	Depth	900 mm (with door opened 90°)
WEIGHT	(net)	32 kg
CAPACITY	Cotton	3,4 kg
	Synthetics/Delicate	1,5 kg
ELECTRICAL DATA	Power supply	230 V - 50 Hz
	Fuse	13 A
	Motor	170 W
	Power rating	2170 W

Consumption according to the EN 61121 European standard

Energy 2,78 kWh/3,4 kg cotton

The consumer information on the energy declaration is in accordance with directive EEC 92/75 and refers to the 104 minute programme.

Unpacking the machine

Damages

If the dryer has been damaged during transport, you should immediately notify the company responsible for delivering it.

Check that the dryer is undamaged. If you discover any damage, faults or that anything is missing, you should notify the dealer immediately.



Never leave packaging material in a place where children may play with it.

Accessories

Console for wall mounting

Non-tip device consisting of:

1 wall hook

1 plastic wall plug

Identification of materials



All materials used in packaging the dryer are environmentally-friendly. The various plastics used are identified and can be recycled:

- PE stands for polyethylene, which is used for the bag around the dryer and the bag in which these instructions were supplied.
- PS stands for (moulded) polystyrene, which is used for the sections of packaging needed to cushion the dryer.

The cardboard components of the packaging are made from recyclable paper and should be taken to a collection point for recycling.

The dryer contains plastic and rubber components.

These have identifying marks to show what they are made from, so they can be recycled or disposed of properly at the end of the dryer's life.

The materials are identified according to international standards.

Installation

Positioning

You can install this dryer in a number of different ways. We will show you the most suitable of these. Whichever way you install it, here are some points to bear in mind:

- Always ensure that the dryer is level for optimum functioning.
- The temperature in the room should not exceed +35° C when the dryer is operating. If it does, open a door or window while the dryer is on. The dryer uses the air in the room for cooling.
- The area around the dryer should be as dust-free as possible.
- If you install the dryer with its door hinge side towards a wall, or next to a cupboard or wall unit which is more than 370 mm deep, you will need to leave a space on the hinge side at least 30 mm wide. This is to allow the door to open wide enough for removing the water tank.
- Ensure the air ducts are not obstructed.

Worktop installation

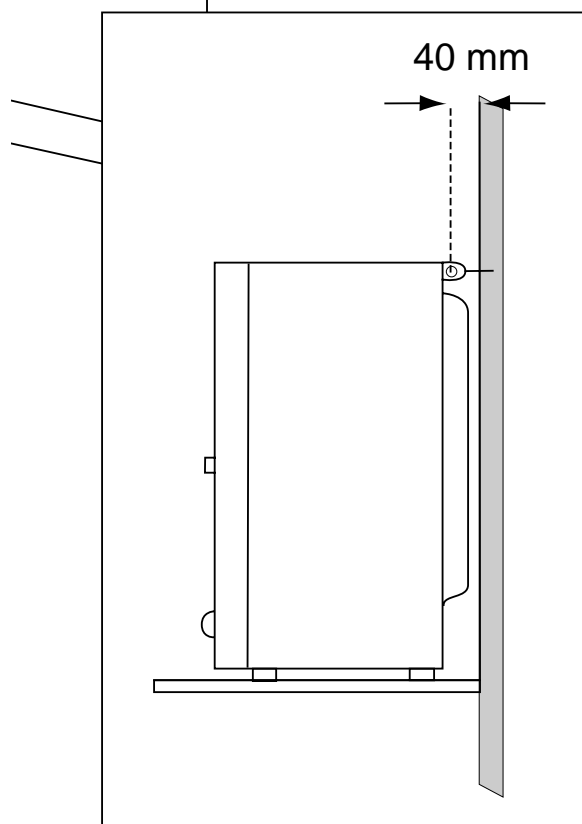
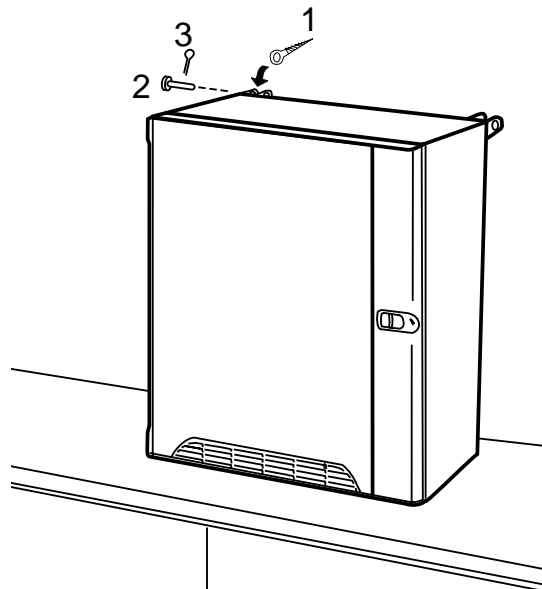
If you prefer to install your dryer on a worktop, you must anchor it at the top rear to prevent it from tipping forwards.

Method:

1. Begin by placing the dryer on the worktop in the position where it is to be installed.
2. Level the dryer with the aid of its adjustable feet.
3. Mark the position for the hook on the wall. The correct place is opposite the centre of the left-hand bracket on the top rear of the dryer. Drill a hole for a 8 mm diameter plastic wall plug.
4. Screw the hook (1) into place. Once in place, the "eye" (aperture) of the hook needs to be 40 mm from the wall.
5. Position the dryer so that the eye is correctly aligned in the bracket.
6. Fit the pin (2) through bracket and eye and lock it in place with the split-pin (3).




The adjustable feet must not be removed, they ensure that there is adequate ventilation underneath the dryer.



Wall mounting

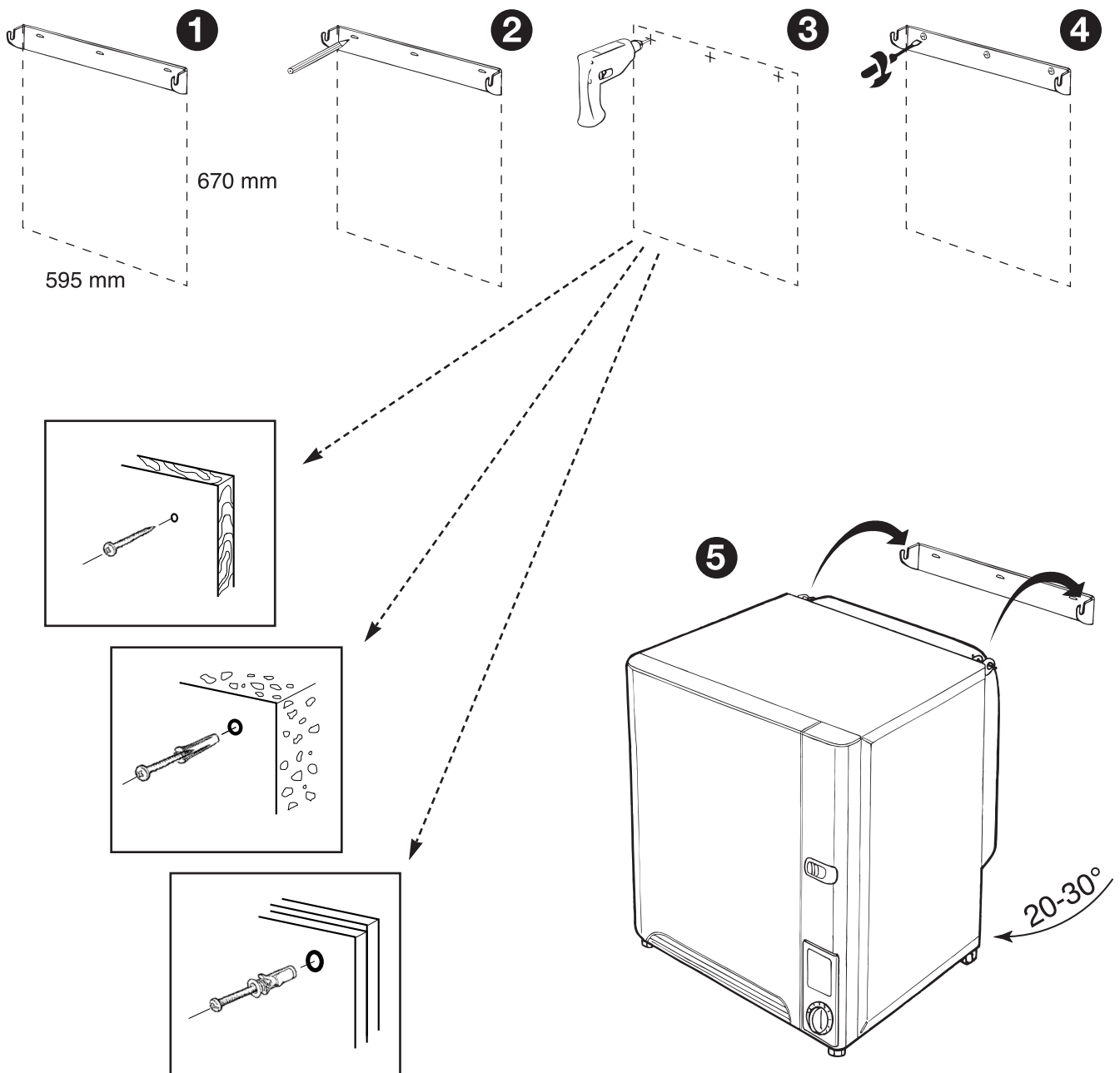
Different wall materials require different types of mounting hardware. Purchase mounting hardware suited to the walls in your home. Use a minimum of 3 suitable fasteners to attach your mounting console to the wall.

Before deciding on the wall mounting site, it is important to check that the electrical lead will reach the wall socket once the dryer is in place.

 **All electrical work performed on the dryer should be done by a qualified electrician or competent person.**

If you are installing the dryer between wall-mounted cupboards, you should use the wall mounting console. If the adjacent cupboards are more than 370 mm deep, don't forget to leave a space at least 30 mm wide on the left of the dryer so that the door can open wide enough.

There should be a clear space at least 200 mm high between the top of the dryer and the ceiling or any cupboard above the dryer, to ensure adequate ventilation at the top.



Power supply

The dryer is supplied with a lead and electrical plug for connection to a 230 V, 13 A earthed wall socket. Before any work is carried out on the dryer, it must be isolated from the electric mains supply, for example by removing the plug from the wall socket.



Permanent electrical installation must be carried out by an authorised electrician or competent person.

WARNING: THIS APPLIANCE MUST BE EARTHED.

The manufacturer declines any liability should this safety measure not be observed.

If the plug that is fitted to your appliance is not suitable for your socket outlet, it must be cut off and the appropriate plug fitted.

Remove the fuse from the cut off plug.

The cut off plug should then be disposed of to prevent the hazard of shocks in case it should be plugged into a 13 amp socket in another part of your home.

Important

The wires in the mains lead are coloured in accordance with the following code:

Green and Yellow	- Earth
Blue	- Neutral
Brown	- Live

If you fit your own plug, the colours of the wires in the mains lead of your appliance may not correspond with the markings identifying the terminals in your plug, proceed as follows:

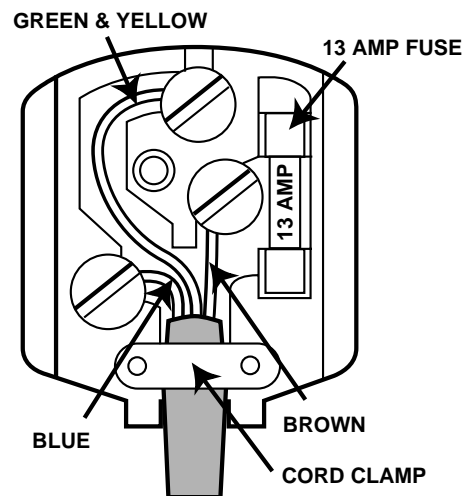
Connect the Green and Yellow (earth) wire to the terminal in the plug which is marked with the letter «E» or the earth symbol \oplus or coloured green and yellow.

Connect the blue (neutral) wire to the terminal in the plug which is marked with the letter «N» or coloured black.

Connect the brown (live) wire to the terminal in the plug which is marked with the letter «L» or coloured red.

The plug moulded onto the lead incorporates a fuse.

For replacement, use a 13 amp BSI362 fuse. Only ASTA or BSI approved fuses should be used.



ZANUSSI

© Electrolux plc 2002

 **From the Electrolux Group.** *The world's No. 1 choice.*

The Electrolux Group is the world's largest producer of powered appliances for kitchen, cleaning and outdoor use. More than 55 million Electrolux Group products (such as refrigerators, cookers, washing machines, vacuum cleaners, chain saws and lawn mowers) are sold each year to a value of approx. USD 14 billion in more than 150 countries around the world.



AGB 02-09

Free Manuals Download Website

<http://myh66.com>

<http://usermanuals.us>

<http://www.somanuals.com>

<http://www.4manuals.cc>

<http://www.manual-lib.com>

<http://www.404manual.com>

<http://www.luxmanual.com>

<http://aubethermostatmanual.com>

Golf course search by state

<http://golfingnear.com>

Email search by domain

<http://emailbydomain.com>

Auto manuals search

<http://auto.somanuals.com>

TV manuals search

<http://tv.somanuals.com>