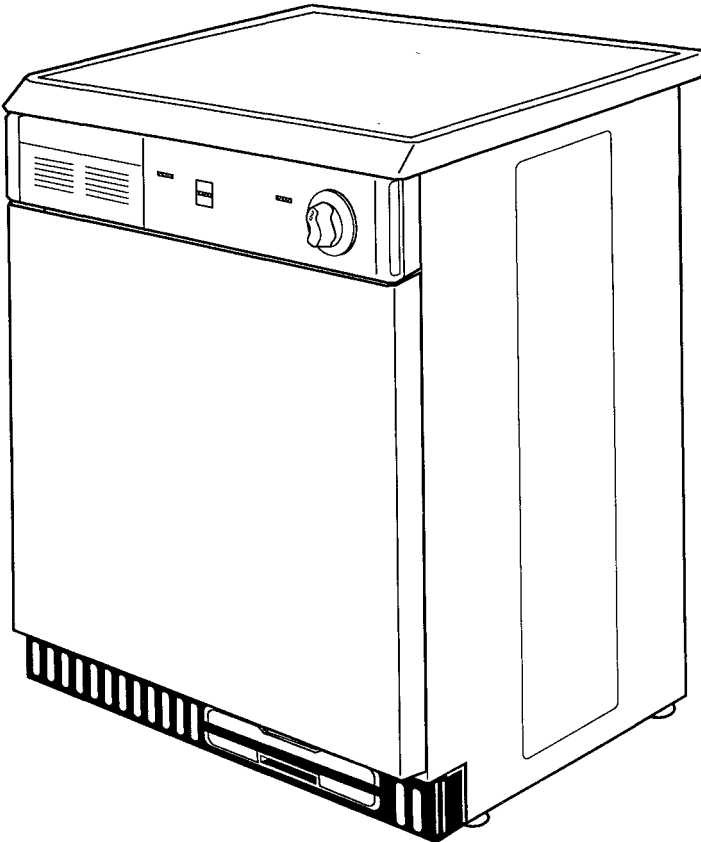


# INSTRUCTION BOOKLET

**READ AND KEEP  
THESE INSTRUCTIONS**



## **TUMBLE DRYER TC 460**

# **ZANUSSI**

**It is most important that this instruction book should be retained with the appliance for future reference. Should the appliance be sold or transferred to another owner, or should you move house and leave the appliance, always ensure that the book is supplied with the appliance in order that the new owner can get to know the functioning of the appliance and the relevant warnings.**

## Warnings and Guidance

**These warnings are provided in the interest of safety, you must read them carefully before installing or using the appliance.**

- Always switch off and unplug the appliance after use.
- Any electrical work required to install this appliance should be carried out by a qualified electrician.
- This machine is designed to be operated by adults. Children should not be allowed to tamper with the controls or play with the product.
- This product should be serviced by an authorised Zanussi Service Centre, and only genuine Zanussi spare parts should be used.
- It is dangerous to alter the specifications or modify this product in any way.
- Care must be taken to ensure that the appliance does not stand on the electrical supply cable.
- Do not overload the appliance.
- Never tumble dry items that have had contact with chemicals such as dry cleaning fluid. These are of a volatile nature and could cause an explosion.
- Fluff filter must be cleaned after every use.
- Do not operate the appliance with a damaged filter or with no filter at all, as this may cause a fire.
- Do not allow fluff to accumulate around the dryer.
- As some bulky items such as duvets and eiderdowns should be dried in large commercial machines because of their bulk, check with the manufacturer of the item if it is suitable for drying in a domestic machine, even if the dry weight of the item is within the limit advised.
- This appliance must be installed in a clean, dry environment. Cabinet damage, which is not covered by guarantee, could ensue if this recommendation is not adhered to.
- Pets and children have been known to climb into tumble dryers. Check your drum before use.
- Under no circumstances should you attempt to repair the machine yourself. Repairs carried out by inexperienced persons may cause injury or serious malfunctioning. Refer to your local Zanussi Service Centre. Always insist on genuine Zanussi spare parts.

# CONTENTS

<b>Specifications</b>	<b>Page 4</b>
<b>General Features</b>	<b>Page 5</b>
<b>Installation</b>	<b>Page 6</b>
<b>Electrical Connections</b>	<b>Page 8</b>
<b>Getting To Know Your Machine</b>	<b>Page 9</b>
<b>The Drying Times</b>	<b>Page 10</b>
<b>Using Your Machine</b>	<b>Page 11</b>
<b>Maintenance and Cleaning</b>	<b>Page 12</b>
<b>What Happens If Something Goes Wrong?</b>	<b>Page 14</b>
<b>Peace Of Mind For Twelve Months</b>	<b>Page 15</b>

# SPECIFICATIONS

## TC 460

### Dimensions

#### With worktop

Height:	850 mm
Width:	597 mm
Depth:	600 mm

#### Without worktop

Height:	820 mm (without plastic web)
Width:	597 mm
Depth:	570 mm
Depth with open door:	1200 mm

Wash Load:	4.5 kg/10 lbs (cotton, linen) 2 kg/4.5 lbs (synthetics)
------------	--

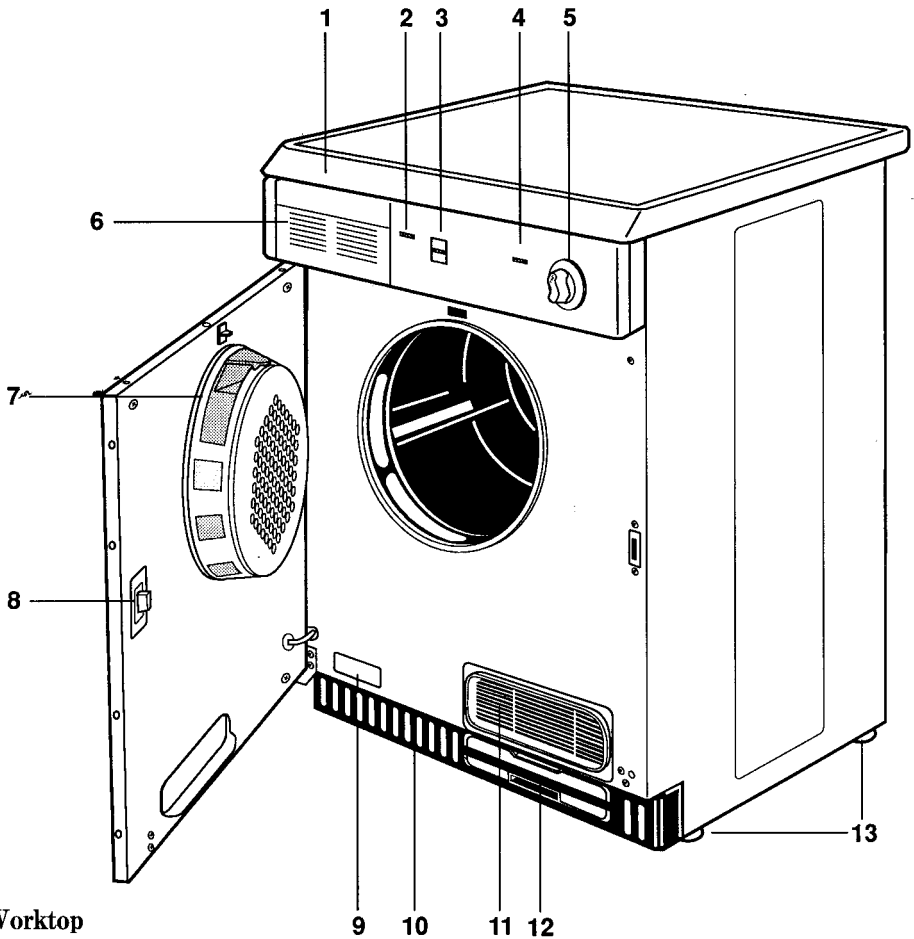
Nominal Voltage: 240 V/50 Hz

Drive Motor: 300 W

Heating Element: 2400 W

Total Power Absorbed: 2700 W

# GENERAL FEATURES



1. Worktop
2. Water Reservoir Indicator Lamp
3. Door Opening Button
4. Mains On Light
5. On/Off Dial - Time Selector Dial
6. Programme Chart
7. Fluff Filter
8. Door Catch
9. Rating Plate
10. Ventilator Grille
11. Air Condenser
12. Water Reservoir Container
13. Height-adjustable feet

# INSTALLATION

This tumble dryer can be positioned without the need for any special type of installation as the operation of the condenser unit means that there is no steam to vent. You will, however, need to ensure that there is a continuous air supply and the hot air which is discharged through the venting slots at the base of the machine must not be restricted.

It is recommended that, for your convenience, the machine is positioned close to your washing machine.

To keep vibration and noise to a minimum when the dryer is in use, it should be placed on a firm, level surface. Once in its permanent operating position, check that the dryer is absolutely level, with the aid of a spirit level. If it is not, raise or lower the two adjustable feet at the front of the machine until it is. The machine should not stand on a long-pile carpet or be enclosed around the base as this will lead to a build-up of heat which could damage the motor.

## IMPORTANT

The hot air discharged from the tumble dryer may reach a temperature of 60°C. Check that the floor covering can withstand this degree of heat.

The room temperature should not exceed +35°C during operation, ventilate the room if it exceeds this.

The space around the tumble dryer must be kept free of fluff.

## Door Assembly Instructions

The machine has a furniture door which can be hinged on the left hand or right handside. The machine is supplied with the door hinged on the left hand side.

To change the door hinging from left hand side to the right, the hinge fastening plate needs to be fitted to the right hand side of the machine, in place of the plastic plugs. The plastic plugs then need to be refitted where the plate was previously located, see Fig. 1.

1. Unhook door stopper "A" from door mounting "a" and loosen from hole "b" by a 90° rotation.

2. Remove the plastic plug from hole "c" by a 90° rotation and re-fix in hole "b".

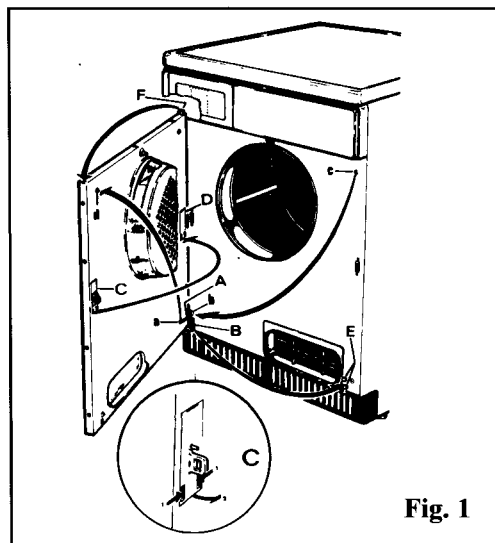


Fig. 1

3. Unscrew hinge "B" (loosen the 2 screws, holding the door securely) and lower the door from the top pivot.

4. Re-insert pin "F" from the door above and below on opposite side respectively.

5. Loosen door catch "C" by pressing together both lugs (see small illustration).

6. Loosen opposite plastic part "D" as under point 5 (you may possibly need to use a tool to assist in both steps 5 and 6 - eg. screwdriver).

7. Interchange and insert parts "C" and "D".

8. Remove screws "E".

9. To mount door, see Fig. 2:

\* First locate into upper right hand hole with upper pin.

\* Then place lower pin into hinge and locate the hinge on to the bottom of the door. Secure the hinge in position with screws "E".

\* Align door before tightening hinge.

\* Tighten hinge.

10. Fix door stopper "A" in hole "c" by 90° rotation.

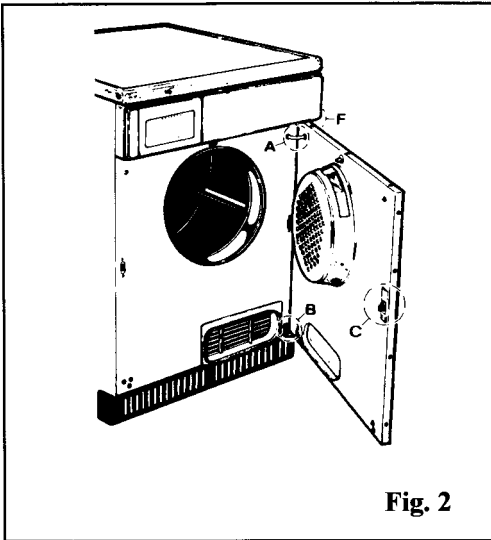
11. Remove plug from hole "d" and hook door stopper into the hole. Ensure you have the hook the correct way round to catch the door as it opens.

If the worktop is removed for building in with other kitchen furniture, the installation must be carried out so that electrical and mechanical parts are not accessible.

A protective cover to ensure the safety of the machine must be fitted, and can be purchased from your local Zanussi Service Centre.

When you fit the protection cover, stick or fix foam sealing strips around the edge of the top to prevent any water seeping inside the cabinet.

The main electricity supply **must** be easily accessible.

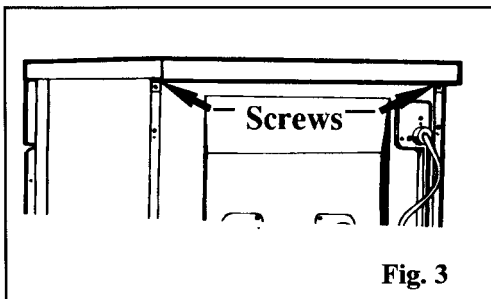


**Fig. 2**

### Instructions For Building In Under A Counter

The appliance can be integrated in fitted kitchens or installed as a build-under unit after removal of the worktop. Proceed as follows:

- \* Unplug the appliance.
- \* Unscrew the mounting screws at the rear of the appliance (Fig. 3).



**Fig. 3**

- \* Pull the worktop back and lift it to remove.

# THE ELECTRICAL CONNECTIONS

**WARNING: THIS APPLIANCE MUST BE EARTHED.**

**The manufacturer declines any liability should this safety measure not be observed.**

If the plug that is fitted to your appliance is not suitable for your socket outlet, it must be cut off and the appropriate plug fitted.

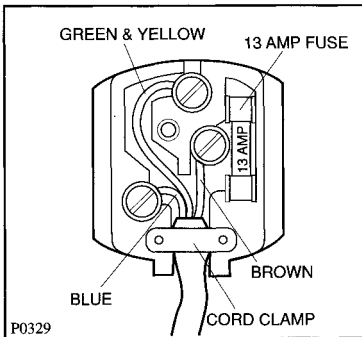
Remove the fuse from the cut off plug.  
The cut off plug should then be disposed of to prevent the hazard of electric shocks in case it should be plugged into a 13amp socket in another part of your home.

## Important

The wires in this mains lead are coloured in accordance with the following code:

Green and Yellow	- Earth
Blue	- Neutral
Brown	- Live

If you fit your own plug, the colours of the wires in the mains lead of your appliance may not correspond with the markings identifying the terminals in your plug, proceed as follows:



**Fig. 4**

Connect the green and yellow (earth) wire to the terminal in the plug which is marked with the letter "E" or the earth symbol  $\equiv$  or coloured green, or green and yellow.

Connect the blue (neutral) wire to the terminal in the plug which is marked with the letter "N" or coloured black.

Connect the brown (live) wire to the terminal which is marked with the letter "L" or coloured red.

The plug moulded onto the lead incorporates a fuse. For replacement, use a 13amp BS1362 fuse. Only ASTA or BSI approved fuses should be used.

The plug must not be used if the fuse cover/carrier is lost. The cover/carrier is indicated by the coloured insert at the base of the plug. A replacement cover/carrier must be obtained from Zanussi Service Centres whose addresses are listed in the Customer Care Booklet which accompanies this manual.

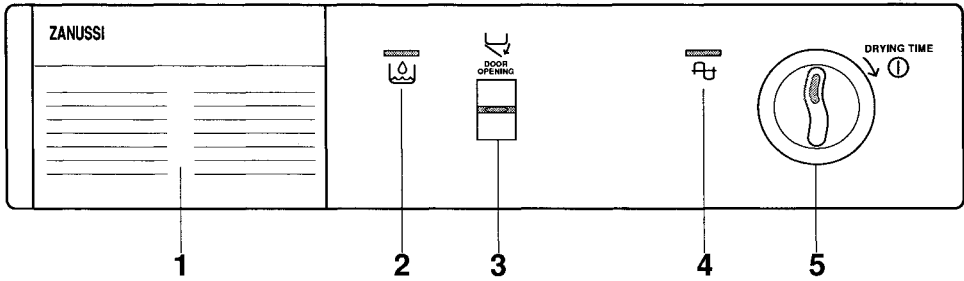
This appliance complies with E.E.C. directive No. 87/308 of 2.6.87 relative to radio interference suppression.

In addition, avoid connecting the dryer to the same socket as your washing machine (or any other appliance) by means of an adaptor. Have an extra socket installed if necessary by a qualified electrician.



# GETTING TO KNOW YOUR MACHINE

## Control panel (Fig. 5)



### 1 Programme chart

### 2 Water Reservoir Indicator Light (red)

The indicator lamp will show that the water container is full or improperly fitted. The programme will be interrupted.

### 3 Door Opening Button

You press this button when you wish to open the door.

### 4 Mains On Light (green)

The pilot light indicates operating status.

### 5 On/Off Dial - Time Selector Dial

Turn the dial clockwise (to the right) to select the time for drying (see Chart page 10). At the same time the machine is switched on and the programme starts.

# THE DRYING PROGRAMMES




## Time Controlled Programmes

The programme guide is designed to help you. This dryer has two drying times of up to 120 and 80 minutes, giving a high or low heat temperature according to the fabric type. This can be extended when the original programme is completed, by resetting the control knob for a further period of drying.

The door of the machine can be opened at any time during the programme if you want to feel the dryness of the fabrics. Do not over-dry the fabric, as it gives it a rough feel, also it will be difficult to iron.

Remember that during the last 12 minutes of the operation, the heat is cut off in order to carry out a fabric cooling phase, which minimises creasing or crumpling of the fabrics.

## THE DRYING TIMES

Type of Laundry	Degree of drying Required	Degree of spin-drying given to laundry rpm	Quantity kg	Control Knob Setting
<b>Cotton and Linen</b> 	Store Dry	800	4.5 kg 2.5 kg	85-95 55-65
		1000-1200	4.5 kg 2.5 kg	70-85 45-55
<b>High Temp.</b> (blue sector) 	Iron Dry	800	4.5 kg 2.5 kg	60-75 45-55
		1000-1200	4.5 kg 2.5 kg	55-70 35-45
<b>Delicate and Synthetic Fabrics</b>  Low Temp. (green sector)	Store Dry	Short spin	2 kg 1 kg 0.5 kg	40-50 30-40 20-25

**Note:** If you dry mixed loads (cotton and resistant synthetics, for example), select the drying time suitable for the most delicate fabric and increase the drying time by 10 mins.

# USING YOUR MACHINE

## Sorting The Load

The maximum load you can dry in your tumble dryer is 4.5 kg (10 lb) of cotton, linen and other strong fabrics, 2 kg (4.5 lb) of synthetics and 2.25 kg (5 lb) of absorbent fabrics such as towelling.

If you are using a washing machine, all you have to do is transfer the clothes, after the spin cycle from the washing machine to the tumble dryer. Sort the laundry according to fabric. If the items are very wet, they will take a very long time to dry and so it is preferable to spin dry any item before putting it into the tumble dryer.

## Loading The Laundry

Open the door by pressing button 2.

If you are using your tumble dryer for the first time, it is recommended that you place a few damp cloths into the drum and allow it to run for around 15 minutes. This will ensure that no dirt or dust remains in the drum.

Load the clothes, alternating large items such as sheets and tablecloths with smaller items like shirts, hand towels etc. Make sure that all pockets are empty of coins etc, zips are closed and belts etc tied. Quilt covers and pillow-cases should be buttoned up so that any small objects cannot collect inside them. Close the door firmly until it clicks.

### **The following fabrics should not be loaded in the dryer:**

Clothes which have been dry cleaned with chemical solvents.

Woollens or woollen mixtures loosely knitted and likely to shrink with heat.

Rubber-like materials.

Delicate fabrics like pure silk, and synthetic curtains or fibre glass items and sponge rubber items.

Only laundry washed in water should be dried with the tumble dryer.

## To start the machine

Check that:

The mains switch is on.  
The door is properly closed.

Select the programme by turning the time selector dial clockwise to the required time and programme options (high or low heat, see Chart page. 10).

The operating pilot light will then come on and the machine will start. The machine will automatically carry out the chosen drying cycle or complete the chosen time. The machine turns off automatically and the pilot light will go out.

Open the door and take out the dried items, then clean the fluff filter (for instructions on how to clean the fluff filter see page 12). Empty the water from the water reservoir container, see page 12.

## General Hints

### **Laundry Shrinkage**

Certain fabrics such as woollens and silks are generally not suitable for tumble drying. Due to the structure of some woollen garments which are recommended for tumble drying shrinking could still occur, but once the garment is worn again it should regain its shape.

### **Starched Laundry**

Starched laundry can also be dried in the tumble dryer. Make sure that the time selected is for iron dry. After completion of the programme wipe out the drum with a damp cloth and dry to remove any traces of starch.

### **\* WARNING**

As some bulky items such as duvets and eiderdowns should be dried in large commercial machines because of their bulk, check with the manufacturer of the item if it is suitable for drying in a domestic machine, even if the dry weight of the item is within the limit advised.

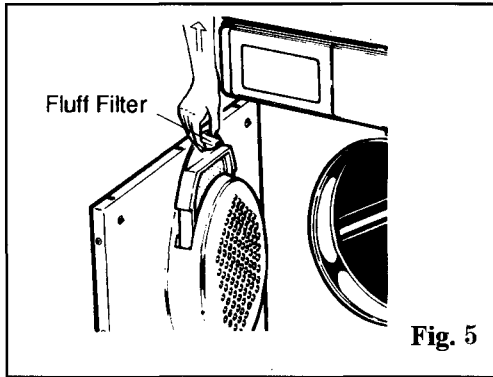
# MAINTENANCE AND CLEANING

## IMPORTANT

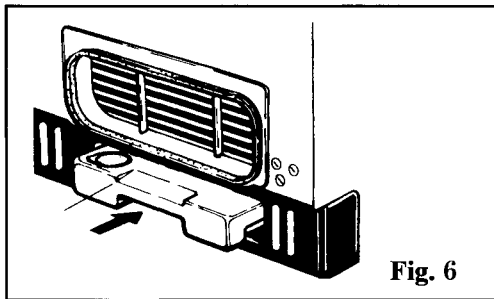
Make sure that the machine is unplugged before undertaking any kind of maintenance.

### Cleaning The Fluff Filter

The fluff filter should be cleaned after every drying process. A considerable amount of fluff accumulates but this is not due to extra wear caused by the drying process. During drying on a washing line fluff attached to the surface of the clothes is blown away by the wind and is therefore not noticeable, see Fig. 5.



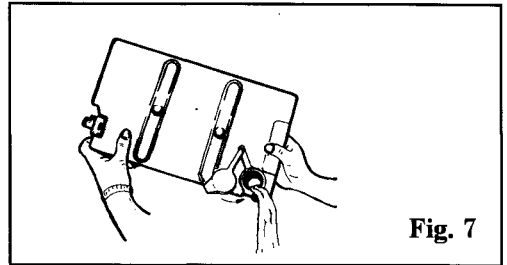
### Emptying The Water Reservoir Container



The water extracted from the laundry is condensed in the dryer and collected in the water reservoir container, see Fig. 6.

The water reservoir container must be emptied after every drying process, if you forget to empty this the warning indicator lamp will light up and the programme will be interrupted.

To empty, grasp the trough from underneath and slowly remove the container. Empty the contents and push back in. (see Fig. 7).



The collected water can be used for steam ironing. To do this, you must put the condensed water through a filter e.g. Coffee filter.

### Cleaning The Dryer Housing

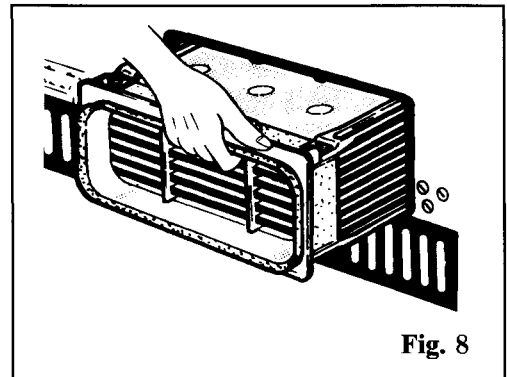
Clean the control panel, the dryer housing and the drum with soapy water or with mild household detergent.

Should a coating appear on the drum after a prolonged period of use, this can be wiped away with a little vinegar.

### Cleaning The Air Condenser

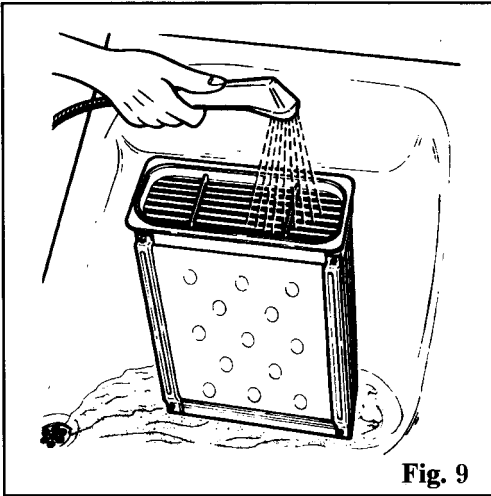
You will need to do this from time to time. If you use your dryer very frequently, approximately 3-4 times per year.

Pull out the box on upper handle recess and clean free of fluff (see Fig. 8).



Wipe the outside of the condenser and remove any fluff.

Clean the condenser with a brush or a hand shower attachment (Fig. 9).



Clean the rubber seals of door opening and air condenser with a damp cloth immediately after every drying operation.

# WHAT HAPPENS IF SOMETHING GOES WRONG?

## **If the machine is not working...**

Is the machine properly plugged in?

Is the fuse okay?

Is the door closed properly?

Is the programme properly set?

Is the Water Reservoir Container empty or properly inserted? (if NOT, the "Water Reservoir" indicator lamp lights up).

## **The machine does not dry satisfactorily...**

Has the correct time been set?

Has the gentle programme been selected for drying, although full heating should be used for drying?

Has the Water Reservoir Container been emptied? (if the container is full, the programme will be interrupted during operation).

Has the fluff filter been cleaned? (if NOT the set time is insufficient).

**IN-GUARANTEE CUSTOMERS SHOULD ENSURE THAT THE ABOVE CHECKS HAVE BEEN MADE AS THE ENGINEER WILL MAKE A CHARGE IF THE FAULT IS NOT A MECHANICAL OR ELECTRICAL BREAKDOWN.**

**\*Please note that proof of purchase is required for any in-guarantee service calls.**

If, after making these checks the tumble dryer is still not working, you will need to contact your local Zanussi Service Centre, whose address and telephone number can be found in the accompanying Customer Care Booklet, and can also be found in your local telephone directory under "Z".

Please make sure you give the model and serial number of the appliance.

This information can be found on the rating plate or on the guarantee certificate.

## **Service details - adhesive label**

When you return your guarantee card to Zanussi Ltd., you will receive a "Appliance Guarantee And Maintenance Record" together with an adhesive label containing the telephone number of your local Zanussi Service Centre. The label can be adhered to the machine or adjacent furniture.

# PEACE OF MIND FOR TWELVE MONTHS

## Zanussi Standard Guarantee Conditions

This guarantee is in addition to your statutory and other legal rights which will not be excluded or in any way diminished by the return of this guarantee card.

We, Zanussi Ltd, undertake that if, within twelve months of the date of the purchase, the ZANUSSI appliance or any part thereof is proved to be defective by reason only of faulty workmanship or materials, we will, at our option, repair or replace the same **FREE OF ANY CHARGE** for labour, materials or carriage on condition that:

- \* The appliance has been correctly installed and used only on the electricity supply stated on the rating plate.
- \* The appliance has been used for normal domestic purposes only, and in accordance with the manufacturer's operating and maintenance instructions.
- \* The appliance has not been serviced, maintained, repaired, taken apart or tampered with by any person not authorised by us.

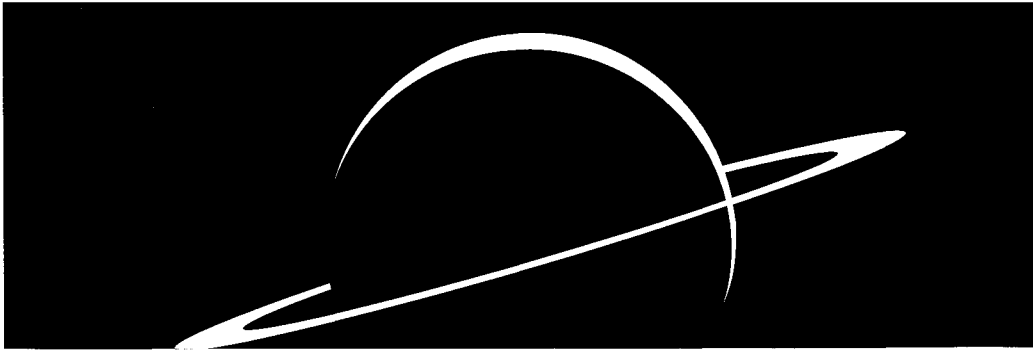
All service work under this guarantee must be undertaken by a Zanussi Service Centre.  
Home visits are made between **8.30am** and **5.30pm** Monday to Friday. Visits may be available outside these hours in which case a **premium** will be charged.  
Any appliance or defective part replaced shall become our property.

## Exclusions

This guarantee does not cover:

- \* Damage or calls resulting from transportation, improper use or neglect, the replacement of any light bulbs or removable parts of glass or plastic.
- \* Cost incurred for calls to put right machines improperly installed or calls to machines outside the UK and the Republic of Ireland.
- \* Appliances found to be in use within a commercial environment, plus those which are subject of rental agreements.
- \* Products of Zanussi manufacture which are NOT marketed by Zanussi Ltd.

EEC Countries - The standard guarantee is applicable but subject to the owner's responsibility and cost to ensure the appliance meets the standards set by the country to which the product is taken. The Zanussi company in the country concerned will be pleased to advise further. Sight of your purchase receipt will be required by them.



# ZANUSSI

The appliance of science

The information in this manual is correct at time of going to press.  
Zanussi reserve the right to alter specifications without notice.

Download from [www.Somanuals.com](http://www.Somanuals.com). All Manuals Search And Download.

12539977172

W/E



## Free Manuals Download Website

<http://myh66.com>

<http://usermanuals.us>

<http://www.somanuals.com>

<http://www.4manuals.cc>

<http://www.manual-lib.com>

<http://www.404manual.com>

<http://www.luxmanual.com>

<http://aubethermostatmanual.com>

Golf course search by state

<http://golfingnear.com>

Email search by domain

<http://emailbydomain.com>

Auto manuals search

<http://auto.somanuals.com>

TV manuals search

<http://tv.somanuals.com>