

ZANUSSI

E11

Instructions for the use and care of your TD 300 tumble dryer

E11

Contents

Technical data

Installation

Location	Page 4
Electrical connection	Page 5

Operation

Sorting and loading the laundry	Page 7
Selecting the drying programmes	Page 8
Starting	Page 8
Drying programmes	Page 9
Stopping	Page 10

Maintenance

Cleaning the filter	Page 10
Cleaning the dampness	Page 10
Control sensors	Page 10
Some useful hints	Page 10

Something not working	Page 11
------------------------------	---------

Directions for the installer	Page 12
-------------------------------------	---------

Width	60 cms. (23,6 ins.)
Depth	57 cms. (22,4 ins.)
Height	85 cms. (33,5 ins.)
Capacity	4,5 kg (10 lbs)
Supply voltage	240 V
Power absorbed:	
motor	250 W
ventilator	120 W
heating element	2380 W
Total power absorbed	2750 W

Installation

Location

Install the appliance in a well ventilated room or having at any rate a window facing directly outside. This will allow the machine to vent the steam that builds up during operation directly into the outside.

Depending on your requirements, the steam vent can be positioned either at the rear or side of the appliance (Fig. 1). The unused outlet should be closed by means of the special cover supplied with the appliance (Fig. 2).

The steam vent outlet should be at least 30 cms away from the facing wall or equivalent obstacle.

You may also install a fixed steam outlet (in a wall or window as shown in Fig. 3) by connecting the plastic hose having a 100 mm diameter to the rear or side steam vent of the machine (see instructions on page 12).

The length of the hose should not exceed 2 metres and the hose itself should not have more than two bends.

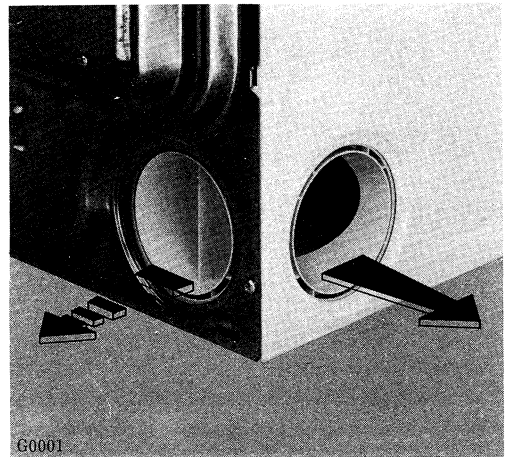


Fig. 1

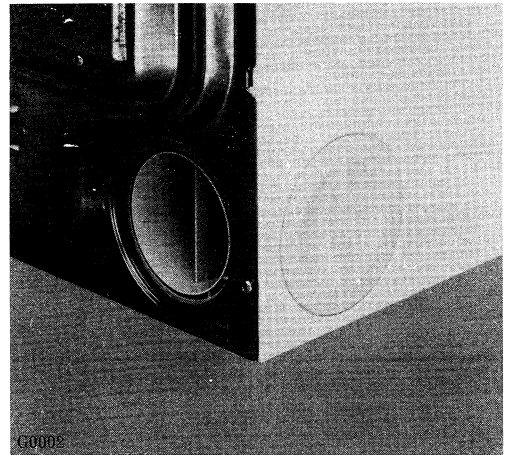


Fig. 2

Attention

Be absolutely sure not to connect the steam vent to a chimney for the exhaust of fumes from the combustion of a heating system.

Also, avoid any obstruction that could hinder the free supply of air to the rear intake grill.

This dryer can also be stacked on top of a washing machine having front controls (see instructions on page 12). The appliance should be carefully levelled by means of the adjustable front feet which make it possible to compensate for any floor unevenness.

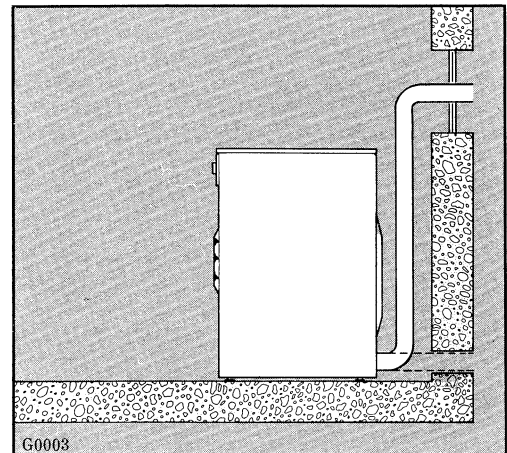


Fig. 3

Electrical connection

WARNING:

**THIS APPLIANCE
MUST BE EARTHED**

The manufacturer declines any liability should this safety measure not be observed.

If the plug that is fitted to your appliance is not suitable for your socket outlet, it must be cut off and the appropriate plug fitted.

The cut off plug should be disposed of to prevent the hazard of electric shocks in case it should be plugged into a 13 Amp socket in another part of your home.

Important

The wires in this mains lead are coloured in accordance with the following code:

**GREEN AND YELLOW - EARTH
BLUE - NEUTRAL
BROWN - LIVE**

If you fit your own plug, the colours of the wires in the mains lead of your appliance may not correspond with the markings identifying the terminals in your plug, this is what you have to do:

Connect the green and yellow (earth) wire to the terminal in the plug which is marked with the letter «E» or the earth \equiv symbol or coloured green, or green and yellow.

Connect the blue (neutral) wire to the terminal in the plug which is marked with the letter «N» or coloured black.

Connect the brown (live) wire to the terminal which is marked with the letter «L» or coloured red.

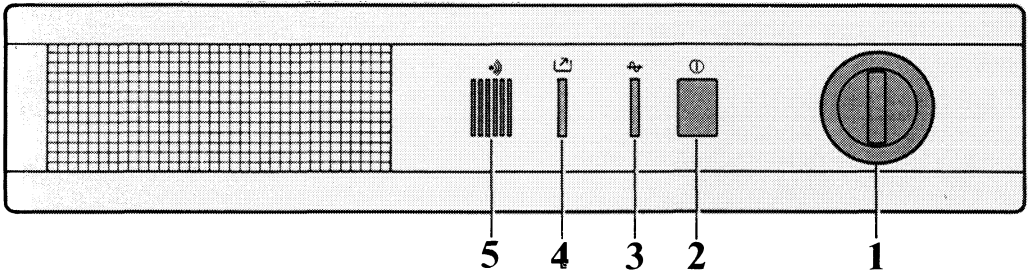
The plug moulded on to the cord incorporates a fuse. For replacement, use a 13 Amp BS 1362 fuse. Only ASTA approved fuses should be used.

The fuse cover/carrier must be replaced in the event of changing fuse. The right fuse cover/carrier colour is the one shown by the coloured insert at the base of the plug.

The plug must not be used if the fuse cover/carrier is lost. A replacement cover/carrier must be obtained from Zanussi Service Agents whose addresses are listed on the attached «Zanussi Service Agents Nationwide».

This appliance complies with E.E.C. directive no. 82/499 of 7.6.82 relative to radio interference suppression.

Operation



Control panel

1. Drying time selector
2. Start and stop switch
3. Operating pilot lamp
4. «Cycle completion» pilot lamp
5. Sound signal device

Sorting and loading the laundry

Open the loading door by pulling the small handle outwards.

Before using the appliance for the first time, clean the inside of the drum with a piece of cloth slightly soaked in a little alcohol.

Sort the laundry according to type of fabric (this sorting operation will already have been done if you are using a washing machine for your laundering). So all you have to do is to transfer your washed and spin-dried laundry from the drum of the washing machine to the drum of the dryer.

Be sure to load only laundry which was previously spin-dried.

Thoroughly spin-dried laundry makes it possible to shorten the drying times and consequently allows you to save power. Even delicate or synthetic fabrics should be briefly spin-dried (approx. from 30 to 60 secs. in a washing machine).

By maximum load (10 lbs) of spin-dried laundry are to be understood strong fabrics such as cotton, linen and hemp etc. In the case of delicate fabrics such as nylon, terylene etc. the load should be reduced (max. 4 lbs) and the same holds for loads consisting primarily of towels and other highly-absorbent articles (max. 5 lbs).

Turn out pockets, close zips and tie up belts and strings in bow knots.

When loading clothes, alternate bigger items (such as bed sheets, table-choths etc.), with smaller items like socks, handkerchiefs etc., if possible.

Close the door firmly so that it clicks.

Important

Only laundry washed in water should be dried with the tumble dryer.

In particular, the following fabrics should not be loaded into the dryer.

Clothes which were dry-cleaned or cleaned with chemical solvents;

Woollens or mixed woollens which will shrink with heat;

Extremely delicate fabrics, such as silk and synthetic curtains;

Sponge rubber and similar items.

Filter glass items.

Selecting and electronic control programme

By means of the electronic control circuit incorporated in this machine, drying of the laundry is automatically controlled.

This special feature operates independently of the quantity of laundry loaded in the drum and its dampness.

All you have to do is to set the programme selector knob onto the letter corresponding to the type of laundry to be dried and to the degree of drying required.

Following are the degrees of final drying which can be obtained with the electronic control.

Cupboard dry

This is suitable for fabrics which can be put away directly into a wardrobe after drying, without ironing (e.g.: hand & bath towels, «non-iron» synthetics etc.).

Ironing dry

This feature ensures a degree of final drying suitable for laundry to be hand ironed as well as for light fabrics to be machine ironed.

Machine ironing dry

This gives a degree of final drying which is ideal for normal laundry to be machine dried or for heavy fabrics to be likewise machine dried.

Selecting the time-controlled programme

In addition to the automatic drying programmes, this appliance also permits selection of a time-controlled programme where the time is set in accordance with one's personal experience.

This programme can be utilized to dry either single items or multilayer fabrics which require a non-uniform drying. In other words, this programme makes it possible to dry single items and fabrics based strictly on your personal choice, of the drying duration, as an alternative to the preset electronic control programmes. Maximum drying time for this special personal programme is 60 minutes. However, this can be extended by resetting the control knob as required, i.e.: for an additional time interval, after the original programme is completed. Please note that during the last 7 minutes of operation the drying function is cut-off in order to carry out a fabric cooling phase, so as to prevent any creasing and rumpling of the fabrics. At any rate, avoid selecting excessively long drying times to prevent the laundry from becoming too dry and developing a rough feel or to prevent hosiery from shrinking.

Starting the machine

After connecting the machine to the electric supply, proceed as follows:

Turn the control knob (1) clockwise until the index coincides with the letter of the selected programme (in the case of the personal time-controlled programme, set the index on the required drying time);

Push in the start button (2).

At this point, the operating pilot lamp (3) will light up and the machine starts carrying out the drying cycle.

Drying programmes

Type of laundry	Degree of drying required	Quantity	Control knob setting
Cotton and linen	Cupboard dry	Max. 10 lbs	A
	Hand ironing dry	Max. 10 lbs	B
	Machine ironing dry	Max. 10 lbs	C
Synthetics	Cupboard dry	Max. 4 lbs	D
Delicate synthetics	Cupboard dry	Max. 4 lbs	F
Time-controlled personal programme			up to 60 minutes

Stopping the machine

Electronic control programmes: with cycles A-B-C (cotton, linen etc.) and D-F (synthetics), completion of the drying cycle is indicated by the lighting up of «cycle completion» pilot lamp (4) and by a buzzing given off at intervals by the sound signal device (5).

To prevent creasing and rumpling of fabrics, the tumbler will continue rotating at regular intervals for a number of minutes. During this time interval all laundry should be removed from the machine. You should now depress STOP button (2).

Time controlled personal programme

With this programme, the control knob will automatically move onto the STOP position and will thus stop operation of the machine. The operating pilot lamp (3) will also go out. At any rate, depress the STOP button and then remove the laundry.

All drying programmes can be interrupted at any given moment. All you have to do is to depress the aforementioned button.

The loading door can also be opened at any given time.

In doing so, the machine will stop operating.

After closing again the door, the machine resumes operation and carries out the rest of the programme from where it was interrupted.

Maintenance

Cleaning the filter

Incorporated in the lower rim of the porthole is a large-surface filter to trap all fluff that normally develops during the drying cycle.

This filter should be cleaned at the end of every drying cycle (Fig. 4).

The fluff that accumulates on the walls of the filter is not due to an excessive wear of the fabrics caused by the dryer, but it is due to a perfectly normal wear of the fabrics.

This fluff is usually removed by the air and therefore goes unnoticed during open air drying (such as on the clothes-line), whereas in the dryer it is collected by the filter. Dust and fluff will eventually deposit also in the door openings and in the filter seat. We therefore suggest that you also clean these parts periodically using a normal vacuum cleaner (Fig. 5)

Cleaning the dampness control sensors

The dampness control sensors are located inside the round plastic rim of the porthole. You should clean periodically the entire inner surface of the round rim using a piece of cloth slightly soaked in a little cleaning alcohol (Fig. 6).

Some useful hints

Table-cloths, bed sheets and similar cotton and linen items should be dried to the point where they are ready for ironing (damp for ironing). After the laundry is dried to this extent and if ironing is to take place later in the day, we suggest you fold and roll up the laundry to preserve a uniform degree of dampness. This will make it easier to iron the laundry. To reduce the «cling» on synthetics (static build-up) we suggest you use a fabric conditioner in the wash cycle.

Something not working...

If any malfunction is detected, check the following points in an effort to remove the trouble, if at all possible:

- **The machine will not start:**

Check the following points:

- is the loading door correctly closed;
- is the plug correctly inserted into the wall socket;
- the fuses of the electric installation are not blown.

- **The laundry will not dry or takes too long to dry:**

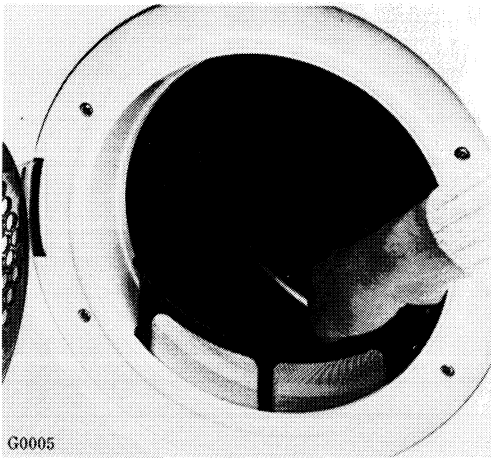
Check the following points:

- the drum is not overloaded;
- the laundry was actually spin-dried to an adequate degree;
- the fluff filter on the loading door is not clogged;
- the room in which the machine is installed has a sufficient fresh air supply.

- **The machine will not stop despite the laundry having been correctly dried:**

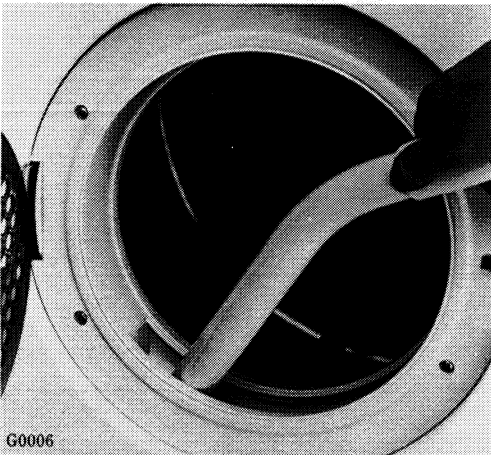
Check that:

- the dampness control sensor are clean.



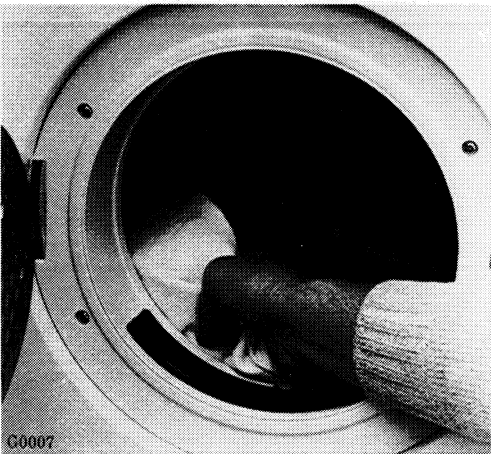
G0005

Fig. 1



G0006

Fig. 5



G0007

Fig. 6

Directions for the installer

Fixed steam vent installation

Fittings to be used:

Plastic hose with 100 mm dia.

Remove the ring nut (A - Fig. 7) from the exhaust connector of the machine. Screw it on to the end of the hose and refit the resulting assembly to the steam vent connector of the machine.

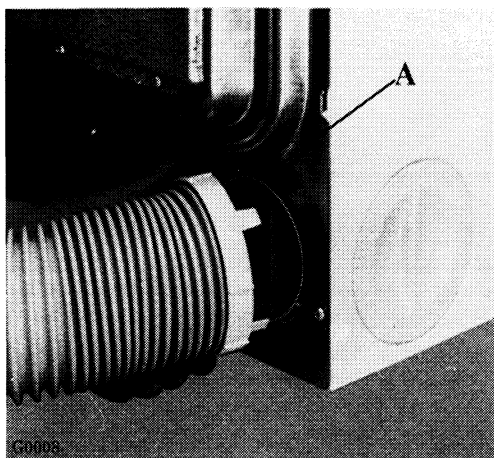


Fig. 7

Stacked installation (kit CN1)

Remove the work top from the washing machine by unscrewing the rear fixing screws.

Fix protection panel B as shown in Fig. 8 and replace the two small plastic blocks with the two supplied in the fittings kit.

Remove from the base of the dryer the 4 levelling feet (2 front adjustable feet and 2 rear fixed feet).

Install the dryer on top of the washing machine by firmly fitting and securing the small blocks C into the special slits provided for the purpose on the base of the dryer (Fig. 9).

Fit the rear brackets (D - Fig. 9) to the dryer and secure them to the washing machine by means of the screws that come with the assembly.

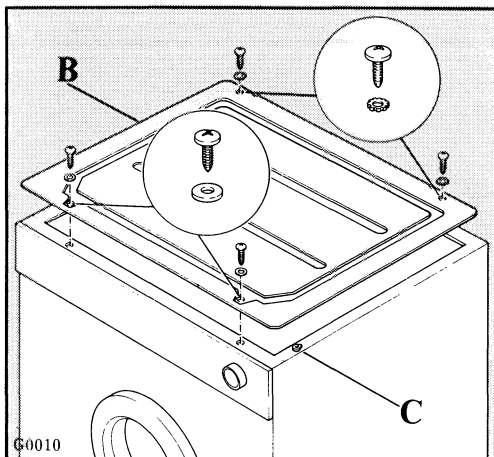


Fig. 8

Important

Each appliance must be connected to an independent electrical socket.

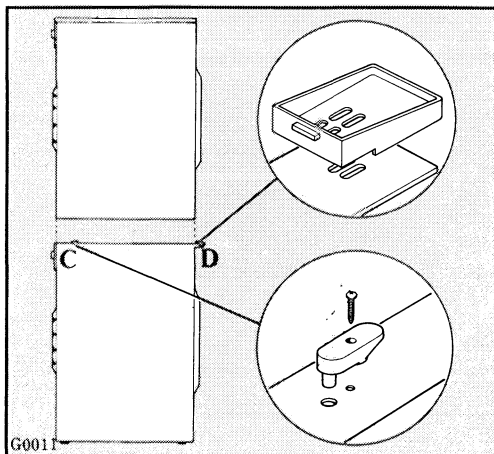


Fig. 9

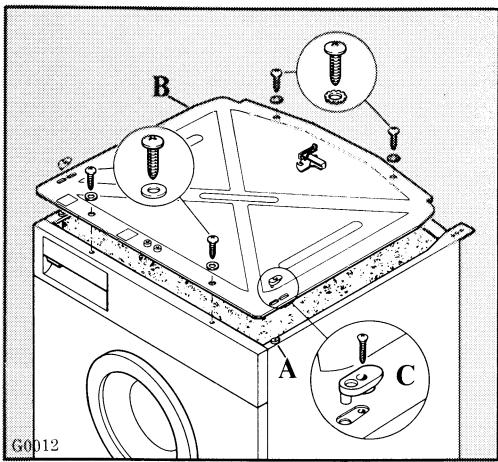


Fig. 10

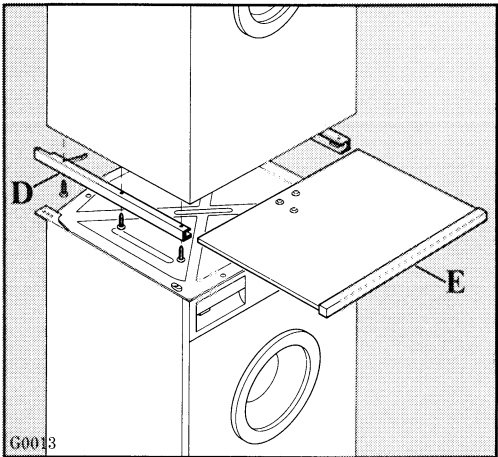


Fig. 11

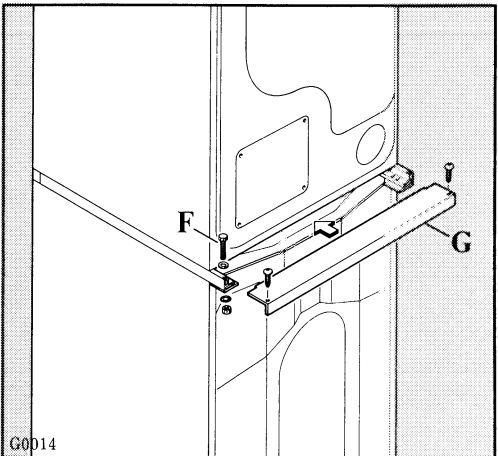


Fig. 12

Stacked installation (kit CN2) (with pull-out table)

1. To take off the cabinet top, first remove the two rear fixing screws, then slide it through the side joints.
 2. Remove the two plastic blocks A Fig. 10.
 3. Fit the protection panel B as shown in Fig. 10 and
 4. fix it by means of the plastic blocks C Fig. 10 supplied.
 5. Remove the four levelling feet from the dryer.
 6. Fit the two runners D at the base of the dryer as in Fig. 11.
 7. Slide table E into the runners.
 8. Place the dryer onto the washing machine: insert blocks C into slots on runners D, carefully push forward the dryer.
 9. By means of screws, nuts & washers (F - Fig. 12) fix the runners D to the washing machine.
 10. Fit protection G and fix it as in Fig. 12.
- When pushed in, the table is locked in position. To release it, push it inwards.

Important:

Each appliance must be connected to an independent electrical socket.

Mounting instructions (kit CN3)

This kit allows stacking of a dryer on top of washer 60 cm. large.

Operate as followings:

Assemble the pieces as shown in Fig. 13 using the screws with washer.

Mount the unit under the tumble dryer, using the 6 self-tapping screws (Fig. 14).

Stack dryer on top of washer. Screw in screws «A» to obtain a firm union of the two appliances through clamps «B».

Important:

Each appliance must be connected to an independent electrical socket.

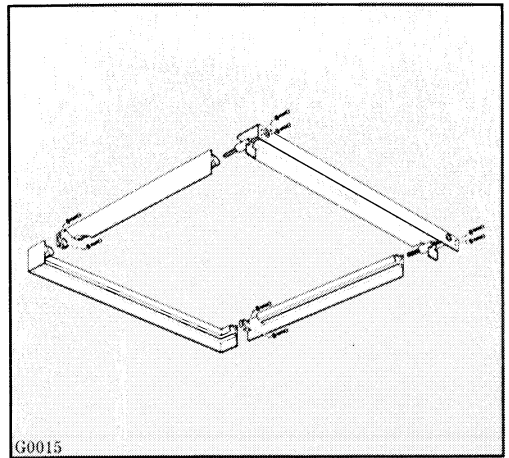


Fig. 13

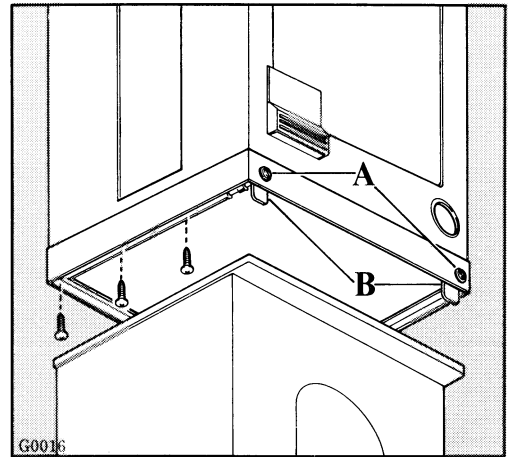


Fig. 14



ZANUSSI STANDARD GUARANTEE CONDITIONS

This guarantee is in addition to your statutory and other legal rights which will not be excluded or in any way diminished by the return of the guarantee card.

We, IAZ International (UK) Ltd, undertake that if, within twelve months (24 months for TV sets) of the date of the purchase, this ZANUSSI appliance or any part thereof is proved to be defective by reason only of faulty workmanship or materials, we will, at our option, repair or replace the same FREE OF ANY CHARGE for labour, materials or carriage on condition that:

—The appliance has been correctly installed and used only on the electricity supply stated on the rating plate.

—The appliance has been used for normal domestic purposes only, and in accordance with the manufacturer's operating and maintenance instructions.

—The appliance has not been serviced, maintained, repaired, taken apart or tampered with by any person not authorised by us.

—The appliance is still in the possession of the original purchaser.

All service work under this guarantee must be undertaken by a Zanussi Network Service Centre (or the Zanussi Authorised TV Service Dealer).

Any appliance or defective part replaced shall become our property.

Exclusions

This guarantee does not cover:

—Damage or calls resulting from transportation, improper use or neglect, the replacement of any light bulbs or removable parts of glass or plastic.

—Costs incurred for calls to put right machines improperly installed or calls to machines outside the UK and the Republic of Ireland.

—Appliances found to be in use within a commercial environment, plus those which are the subject of rental agreements.

—Television receivers - routine adjustment, or poor reception resulting from a source outside of the receiver.



ZANUSSI 5 YEAR COVER CONDITIONS

For a once-only payment you can extend your Standard Guarantee to 5 years. All the conditions and exclusions of the Standard Guarantee apply.

Notes

1. Products supplied as "seconds", refurbished, damaged or shop-soiled are not eligible for Zanussi 5 year cover.

2. The issue of a cover does NOT by virtue of our having done so, nullify the exclusions.

3. The Engineer will need to check the details of your Cover card and may make a charge for his services if it is not presented to him at the time of his call.

4. The date of purchase, or the date of initial payment (deposit) of the appliance will be deemed the date of commencement of cover.

5. Covers issued are not refundable or transferable.

ZANUSSI
The appliance of science

R1035

Free Manuals Download Website

<http://myh66.com>

<http://usermanuals.us>

<http://www.somanuals.com>

<http://www.4manuals.cc>

<http://www.manual-lib.com>

<http://www.404manual.com>

<http://www.luxmanual.com>

<http://aubethermostatmanual.com>

Golf course search by state

<http://golfingnear.com>

Email search by domain

<http://emailbydomain.com>

Auto manuals search

<http://auto.somanuals.com>

TV manuals search

<http://tv.somanuals.com>