

INSTRUCTION BOOKLET

**ZANUSSI**

**TUMBLE DRYER**  
**TD 245**  
**DUAL TEMPERATURE**

---

# CONTENTS

---

<b>Warnings</b> .....	Page 3
<b>Installation</b> .....	Page 4-6
Electrical Connections .....	Page 6-7
<b>Use</b> .....	Page 7
Control Panel .....	Page 7
Use Of Controls .....	Page 8
<b>Drying Times</b> .....	Page 9
Drying 4.5 kg (10 lb) of Cotton .....	Page 10
Drying 2 kg (4.5 lb) of Synthetics .....	Page 11
Hints On Drying .....	Page 12
<b>Maintenance</b> .....	Page 13
External Cleaning .....	Page 13
Cleaning The Door .....	Page 13
Cleaning The Filter .....	Page 13
<b>Servicing</b> .....	Page 14
Zanussi Guarantee Conditions .....	Page 15

---

## TECHNICAL SPECIFICATIONS

---


DIMENSIONS:	Height:	85 cm (33.5")
	Width:	60 cm (23.6")
	Depth:	57 cm (22.4")
	Weight:	29.5 kg
<hr/>		
ELECTRICAL CONNECTION:	Voltage:	220-240V / 50Hz
	Max. Power Absorbed:	2400W (13A)
<hr/>		
DRYING CAPACITY:	Cotton, Linen:	4.5 kg (10 lb)
	Synthetics, delicate fabrics:	2 kg (4.5 lb)

---

# WARNINGS

**IT IS MOST IMPORTANT THAT THIS INSTRUCTION BOOK SHOULD BE RETAINED WITH THE APPLIANCE FOR FUTURE REFERENCE. SHOULD THE APPLIANCE BE SOLD OR TRANSFERRED TO ANOTHER OWNER, OR SHOULD YOU MOVE HOUSE AND LEAVE THE APPLIANCE, ALWAYS ENSURE THAT THE BOOK IS LEFT WITH THE APPLIANCE IN ORDER THAT THE NEW OWNER CAN GET TO KNOW THE FUNCTIONING OF THE APPLIANCE AND THE RELEVANT WARNINGS.**

**THESE WARNINGS ARE PROVIDED IN THE INTEREST OF SAFETY. YOU MUST READ THEM CAREFULLY BEFORE INSTALLING OR USING THE APPLIANCE.**

- Always switch off and unplug the appliance after use.
- Any electrical work required to install this appliance should be carried out by a qualified electrician or competent person.
- This appliance is designed to be operated by adults. Children should not be allowed to tamper with the controls or play with the product.
- This product should be serviced by an authorised Zanussi Service Force Centre, and only genuine Zanussi spare parts should be used.
- It is dangerous to alter the specifications or modify this product in any way.
- Care must be taken to ensure that the appliance does not stand on the electrical supply cable.
- You may notice that the drum in the tumble dryer is slightly off-centre. This is correct and is designed to eliminate the possibility of coins etc., being caught in the fluff filter.
- Do not overload the appliance.
- Never tumble dry items that have had contact with chemicals such as dry cleaning fluid. These are of a volatile nature and could cause an explosion.
- Clothes which are dripping wet should not be placed in the dryer.  
Always load well spun laundry.  
The higher the spin speed the lower the electricity consumption and the shorter the drying times.
- Leave the porthole door slightly ajar when not in use to preserve the door seal.
- Fluff filter **must** be cleaned after every use.
- Do not operate the appliance with a damaged filter or with no filter at all, as this may cause a fire.
- Zanussi tumble dryers are designed to be vented through to the open air. The appliance should have its own ventilation system which should not be joined with any other ventilation system connected to any other appliance.
- In order to prevent the appliance from overheating, it is important that the condensation vents are not obstructed.
- Pets or children have been known to climb into tumble dryers. Check your drum before use.
- The users should always check that they have not left their gas lighters (disposable or otherwise) in their clothing.
- The materials used on this appliance marked with the symbol  are recyclable. Check with your local Council or Environmental Health Office to see if there are facilities in your area for re-cycling this appliance.
- Under no circumstances should you attempt to repair the machine yourself. Repairs carried out by inexperienced persons may cause injury or serious malfunctioning. Refer to your local Zanussi Service Force Centre. Always insist on genuine Zanussi spare parts.

# INSTALLATION

The tumble dryer can be placed in any room, provided the following precautions are taken.

The appliance expels hot, very moist air. The rest of the house must be able to easily absorb this moisture. Normally, absorption is only possible in houses where there is very little humidity. Otherwise, the room must have ventilation towards the outside; generally, an open door or window is enough.

The rate of air change must be at least 150 m<sup>3</sup>/hour. Check that the air inlet and outlet vents are unobstructed.

The best way of evacuating the moisture is through a vent hose to the outside of the building. Use a special 100 mm diameter flexible hose (available on request by your local dealer) connected to one of the air outlet vents with the collar supplied.

The unused outlet vent(s) must be covered. Never connect the air vent hose into an existing discharge pipe or duct, as this could be dangerous, might disturb neighbours and could cause the dryer to malfunction.

The maximum length of the vent hose may be:  
4 metres with 2 bends, or  
2 metres with 3 bends.

**Advice:** If the hose is long and the room temperature low, the moisture might condense to water inside the hose. **This is an unavoidable natural phenomenon.** To prevent this water from lying in the hose or flowing back into the tumble dryer, it is advisable to drill a small hole (dia. 3 mm) in the lowest point of the hose and to place a small container below it.

Connect the other end of the hose to an opening in a door or window. Fit a suitable shield or point the hose downwards to prevent any rain water and wind from getting in.

Rain and wind shields for placing over openings usually consist of valves or movable flaps. Periodically check the shield since strong winds and other factors (rust, dirt) can sometimes prevent it from opening, so causing problems with air venting.

If you use a rain shield, check that the openings in it are large enough to allow air to escape. Openings which are too small restrict the flow of air.

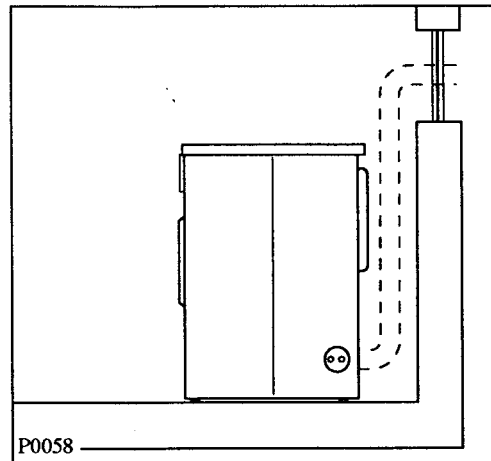
Problems can be encountered in rooms fitted with a very powerful central extractor fan. If you find that drying times are too long, switch off the extractor or close its grille whilst the tumble dryer is in use.

A highly effective solution is to simply poke the vent hose through a window or skylight. This might however cause problems in winter because the dryer will draw in very cold (and often also very damp) air through the open window, so increasing drying times and leading to very high energy consumption.

If the dryer is fitted next to kitchen units, make sure that the vent hose is not squashed. If the hose is partially squashed, drying efficiency will be reduced, resulting in longer drying times and higher energy consumption.

If the hose is completely squashed, the safety cut-outs with which the machine is fitted may operate.

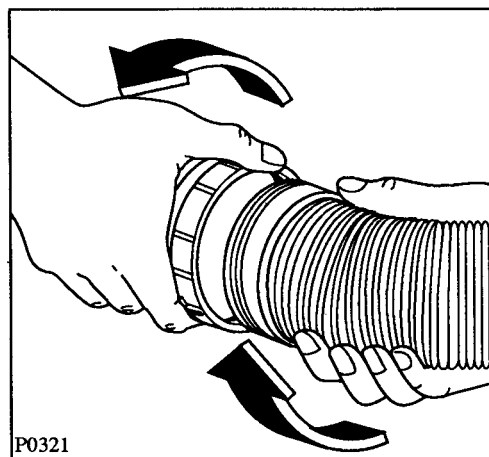
## Condensation discharge through a window



## Condensation discharge through a vent hose

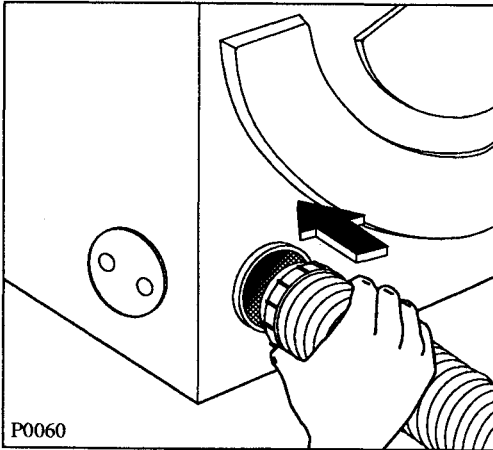
Condensation may be discharged either through a vent outlet provided at the back or through the front or right side outlet.

The vent hose collar is placed in the rear vent outlet. Remove the collar by pulling it out of the vent outlet. Attach the collar to the vent hose until tight.



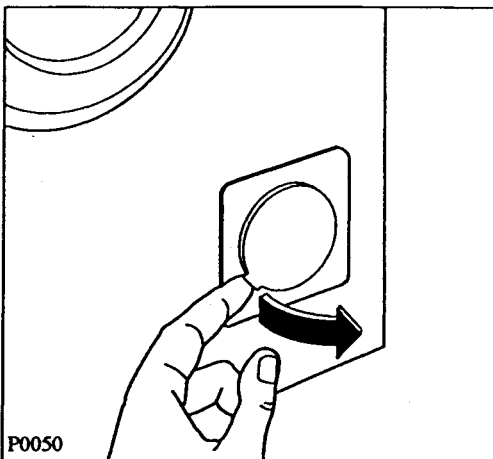
Fit the collar into the required vent outlet and then proceed as follows:

**Condensation discharge at the back or at the right side**

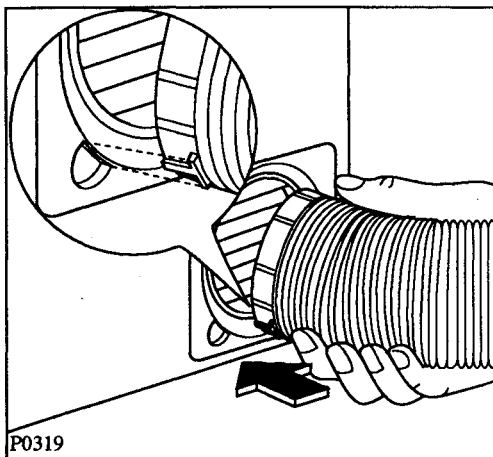


Push the vent hose with the collar firmly into the vent outlet.

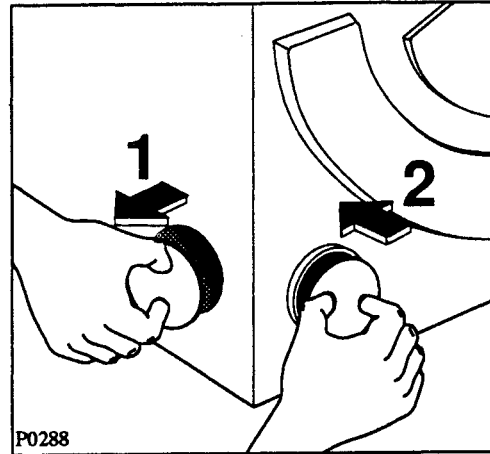
**Condensation discharge at the front**



Remove the small cover and introduce the vent hose with the collar into the vent outlet. The tongue on the collar should correspond with the slot on the vent hole. Then push firmly to ensure secure fit.

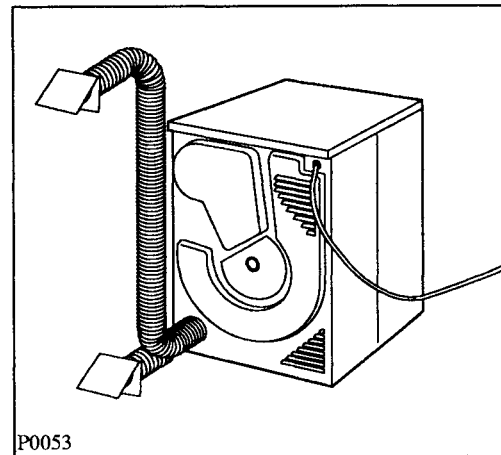


If you use the front or side vent outlet, the cover you have removed should be placed at the back.

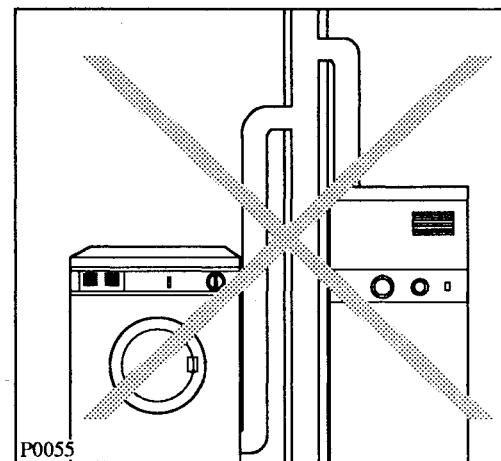


**Note**

The cover on the front vent outlet will only fit the rear vent outlet. The side vent outlet cover will ONLY fit the rear vent outlet, it will NOT fit the front vent outlet.

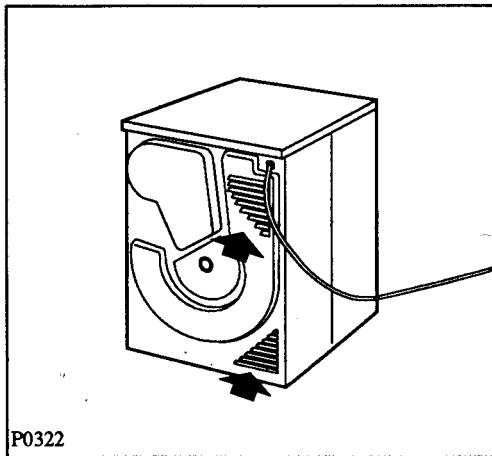


You should **NOT** connect the flexible vent hose to, for example, a chimney or flue pipe designed to carry the exhaust from a fuel burning heating appliance.



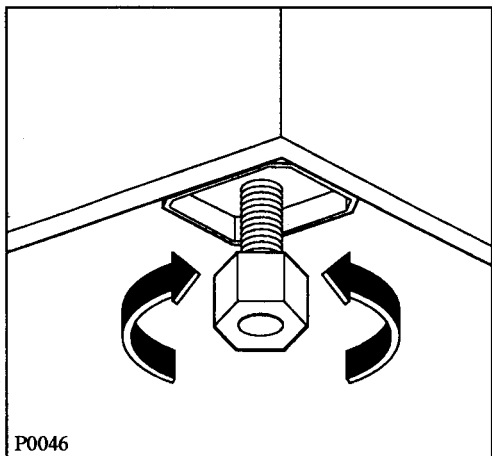
The tumble dryer must be installed in a clean place, where dirt does not build up.

Make sure there are no obstructing items or materials near the air-intake louvres provided at the back (e.g. paper, rags etc.).



Level the tumble dryer into place by screwing or unscrewing the front feet as required.

**Accurate levelling will keep vibration and noise to a minimum when the dryer is in use.**



When operating the tumble dryer, the room temperature must not exceed 35°C, as it may affect the performance of the appliance.

To save energy, the room temperature should not be lower than +15°C.

#### Important note

A special stacking kit is available through your dealer, to enable the mounting of the dryer on top of your washing machine.

## Electrical Connections

### WARNING:

**THIS APPLIANCE MUST BE EARTHED.**

**The manufacturer declines any liability should this safety measure not be observed.**

If the plug fitted to the appliance is not suitable for your socket outlet, it must be cut off, and the appropriate plug fitted.

Remove the fuse from the cut off plug. The plug should then be disposed to prevent the hazard of electric shocks, if it should be plugged into a 13 Amp socket in another part of your home.

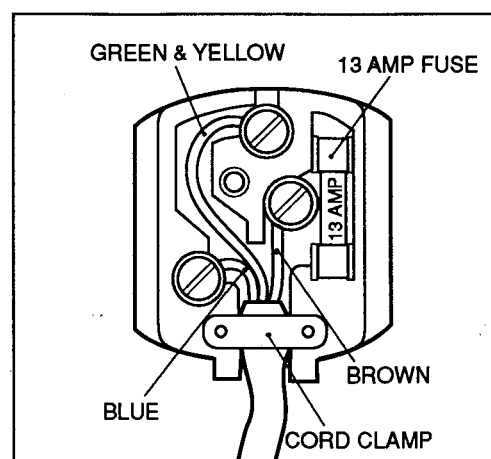
### Important

The wires in this mains lead are coloured in accordance with the following code:

Green and Yellow	— Earth
Blue	— Neutral
Brown	— Live

If you fit your own plug, the colours of the wires in the mains lead may not correspond with the markings identifying the terminals in your plug.

To fit the plug, proceed as follows:



Connect the green and yellow (earth) wire to the terminal in the plug which is marked with the letter "E" or the earth symbol  $\perp$ , or coloured green and yellow.

Connect the blue (neutral) wire to the terminal in the plug which is marked with the letter "N" or coloured black.

Connect the brown (live) wire to the terminal in the plug which is marked with the letter "L" or coloured red.

There is a fuse incorporated into the moulded plug. When necessary this should be replaced by a 13 Amp BS 1362 fuse. Only ASTA approved fuses should be used. The fuse cover/carrier must be replaced if the fuse is changed. The correct fuse cover/carrier is shown by the coloured insert, at the base of the plug.

The plug must not be used if the fuse cover/carrier is lost. A replacement cover/carrier can be obtained from your local Zanussi Service Force Centre, whose address and telephone number can be found in the Service Directory toward the back of this instruction book.

Avoid connecting the tumble dryer to the same socket as your washing machine (or any other appliance) by means of an adaptor. Have an extra socket installed if necessary, by a qualified electrician.

This appliance complies with E.E.C. Directive no. 87/308 of 2.6.87 relative to radio interference suppression.

### Note

Installation, and, in particular, connection to the electric mains and to the discharge vent must be carried out by a competent person or qualified electricians.

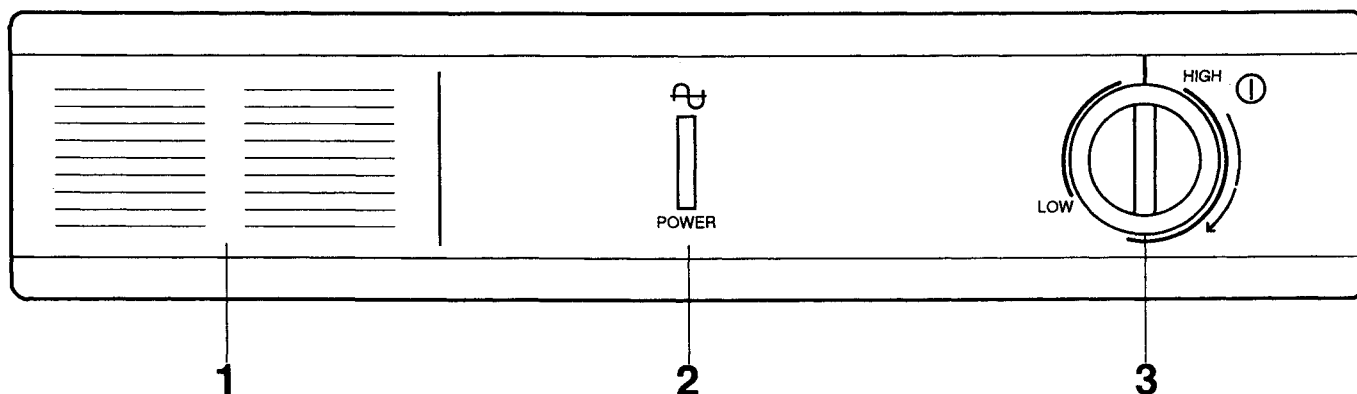
Please ensure that when the appliance is installed it is easily accessible for the engineer, in the event of a breakdown.

---

## USE

---

### Control Panel



1. Programme Chart
2. Mains on Light
3. Drying Time Selector Dial

## USE OF CONTROLS

### 1. Programme Chart

This will help you to select the correct time for drying.

### 2. Mains On Light

This lights up when a programme is selected and will go out when drying is completed.

### 3. Drying time selector dial

The selector dial is marked with times in minutes corresponding with those on the Drying Times Chart (Page 9).

To set the machine to the selected time, turn the dial clockwise until the time you want coincides exactly with the pointer.

**NEVER** attempt to turn the dial in an anticlockwise direction.

The selector incorporates two drying cycles, one of up to 120 minutes at a high temperature for natural fabrics, and one of up to 80 minutes at a low temperature for synthetic fabrics.

The selected time can be extended when the original programme is completed, by resetting the knob for a further period of drying. It is better to select a time which is too short and then set the dial for a further period if necessary.

Select the drying time according to the programme guide.

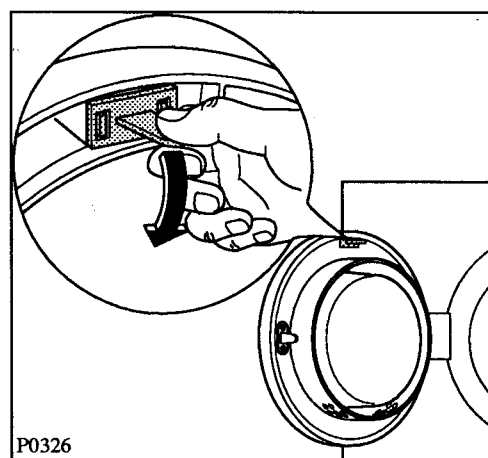
Remember that during the last 8 minutes of the operation the heat is cut off in order to carry out a fabric cooling phase, which prevents any creasing or crumpling of fabrics.

#### Note

This tumble dryer incorporates a special child safety feature.

At the top, on the inside of the porthole door, you will notice a red catch, if this is removed it will prevent the machine from working. To remove, press the catch downwards (see picture). You **MUST** replace the catch to enable the appliance to work.

We advise that when the appliance is not in use it should be unplugged from the electricity supply.







# DRYING TIMES


## Cotton and Linen

Selector dial: up to 120 minutes (high temperature section)

Degree of drying required and labels on articles	Degree of spin given	Quantity	Selector dial setting
Store dry 	500 rpm	10 lb (4.5 kg)	80-100 mins
		5 lb (2.25 kg)	50-60 mins
	800-1200 rpm	10 lb (4.5 kg)	65-85 mins
		5 lb (2.25 kg)	45-55 mins
Iron dry 	500 rpm	10 lb (4.5 kg)	65-85 mins
		5 lb (2.25 kg)	45-55 mins
	800-1200 rpm	10 lb (4.5 kg)	45-65 mins
		5 lb (2.25 kg)	30-40 mins

## Synthetics

Selector dial: up to 80 minutes (low temperature section)

Degree of drying required and labels on articles	Degree of spin given	Quantity	Selector dial setting
Store dry 	Short spin	4 lb (2 kg)	45-55 mins
		2 lb (0.9 kg)	30-35 mins
		1 lb (0.5 kg)	20-25 mins

**If the laundry is spin-dried in a washing machine at less than 500 rpm the residual dampness will be higher and consequently the drying time should be increased.**

**This applies particularly to laundry consisting primarily of towels.**

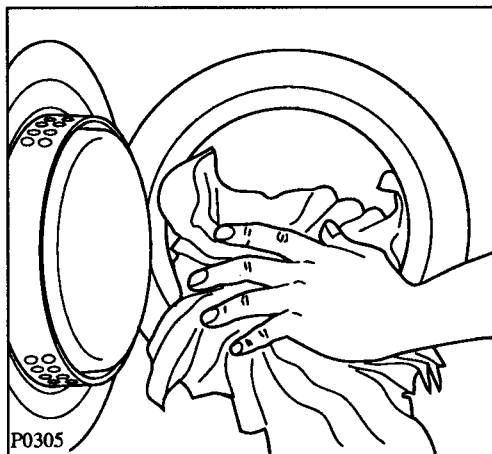
**If the laundry is spin-dried at more than 1200 rpm, the residual dampness will be lower and consequently the drying time should be decreased.**

## DRYING 4.5 KG (10 LB) OF COTTON

You have for example just machine-washed and spun at 1200 rpm 4.5 kg (10 lb) of laundry.

They are cotton fabrics of medium weight which you want to iron as soon as they are dried.

### 1. Load the laundry

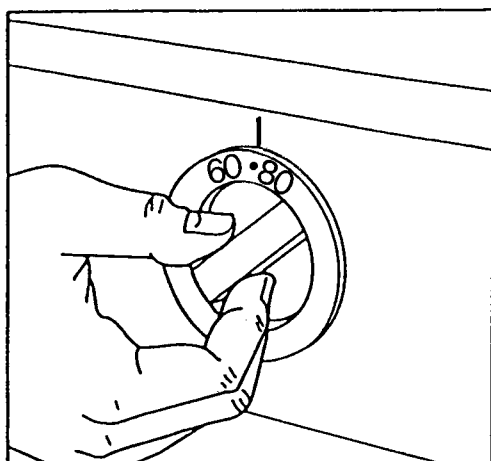


Open the door by pulling it outward.

Load the items one at a time, shaking them out loosely and close the door.

Please check the laundry does not get caught between the door and filter.

### 2. Select time and start the machine



Following the indications given in the drying times chart, turn the selector dial clockwise on the 70 minutes setting (in the "up to 120 minutes" section – high temperature).

The mains on "power" light will illuminate and the dryer starts to work.

### 3. When drying is completed

The machine stops automatically and the mains-on light goes out.

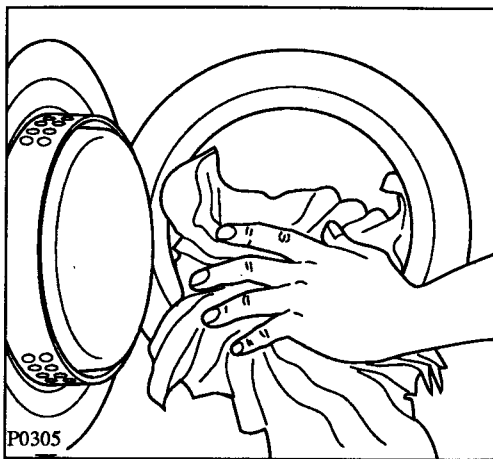
If the laundry is still too damp, select a further brief drying time, bearing in mind that during the last 8 minutes the dryer carries out the cooling and anti-crease treatment phase.

**Clean the filter after every drying programme. A clean filter ensures correct functioning of the appliance.**

## DRYING 2 KG (4.5 LB) OF SYNTHETICS

You have for example just machine-washed and briefly spun 2 kg (4.5 lb) of synthetics which do not need ironing.

### 1. Load the laundry

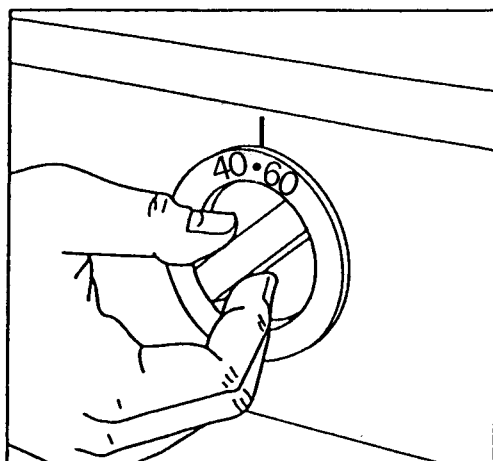


Open the door by pulling it outward.

Load the items one at a time, shaking them out loosely and close the door.

Please check the laundry does not get caught between the door and filter.

### 2. Select time and start the machine



Following the indications given in the drying times chart, turn the selector dial clockwise on the 50 minutes setting (in the "up to 80 minutes" section – low temperature).

The mains on "power" light will illuminate and the dryer starts to work.

### 3. When drying is completed

The machine stops automatically and the mains-on lights goes out.

If the laundry is still too damp, select a further brief drying time, bearing in mind that during the last 8 minutes the dryer carries out the cooling and anti-crease treatment phase.

**Clean the filter after every drying programme. A clean filter ensures correct functioning of the appliance.**

# HINTS ON DRYING

- Do not overload the appliance.

Here is a list of the average of the more common laundry items according to an approximate basis.


Sheet	700 to 1000 g
Pillowcase	100 to 200 g
Tablecloth	400 to 500 g
Table napkin	50 to 100 g
Kitchen towel	70 to 120 g
Linen hand towel	100 to 150 g
Sponge hand towel	150 to 250 g
Sponge bath towel	700 to 1000 g
Bathrobe	1000 to 1500 g
Shirt	200 to 300 g
Apron	150 to 200 g

However, the best and most economical load is the maximum indicated for the different types of fabric.

- Always load well spun laundry. The higher the spin speed the lower the electricity consumption and the shorter the drying times.
- Do not leave the damp laundry load in a heap too long before drying.
- Sort the laundry out: **Separate** synthetics from cotton and linen and dry them separately.
- Close poppers and zips and fasten any buttons found loose.
- Do not use the tumble dryer to dry the following:
  - Dry-cleaned fabrics or fabrics cleaned with chemical solvents.
  - Woollen garments and those manufactured from synthetic/wool mixtures of the heat-shrinkable type.
  - Very delicate articles such as silk and curtains made of synthetic material.
  - Foam-rubber articles.
  - Fibre-glass articles.
- In some cases labels on articles may also be of help.

 Vigorous drying

 Delicate drying

 Do not tumble dry

- Avoid drying dark clothes with light coloured fluffy items such as towels as they could attract the fluff.
- If you overdry the laundry, besides wasting energy, any subsequent ironing may become more difficult because fabric could be heavily crumpled.
- Remove the laundry when the dryer has finished drying.
- To avoid a static charge when drying is completed, use either a fabric softener when you are washing the laundry or a fabric conditioner specifically for tumble dryers.
- When you have finished tumble drying do not forget to clean the filter.  
**If the filter is dirty, drying times are increased considerably and consequently energy consumption is also increased.**

# MAINTENANCE

## Important

You must **disconnect** the appliance from the electricity supply, before you can carry out any cleaning or maintenance work.

## External Cleaning

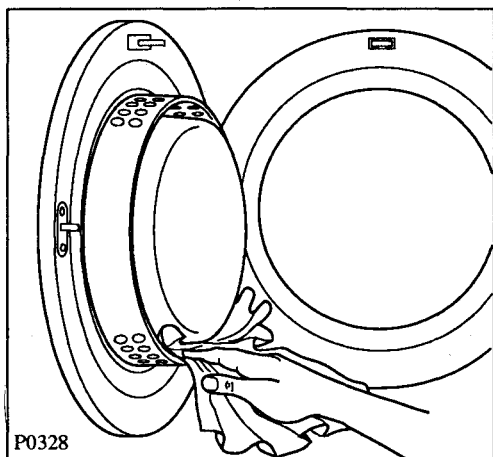
Use only soap and water and then dry thoroughly.

From time to time, apply a little wax furniture cream with a soft cloth.

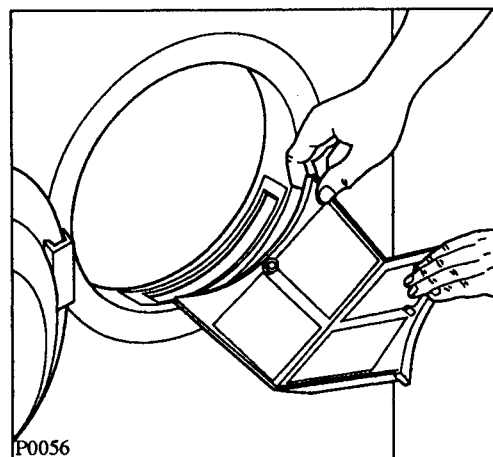
**Important:** do not use methylated spirit, diluents or similar products.

## Cleaning The Door

Clean periodically the interior part of the door to remove any fluff. Accurate cleaning ensures correct drying.



## Cleaning The Filter



Your dryer will only function well if the filter is clean.

The filter collects all the "fluff" which accumulates during drying and it must therefore be removed and cleaned at the end of each programme.

The filter is composed of two parts to facilitate cleaning.

To remove the filter it is sufficient to lift it up.

It is perfectly normal for fluff to accumulate in the filter during drying. In fact, even fabrics dried in the open air lose their fibres, but we do not notice it.

# SERVICING

Before contacting your local Zanussi Service Force Centre, please make the following checks:

PROBLEM	CAUSE	SOLUTION
The dryer does not start	■ The door is open	■ Close the door.
	■ The plug is not fitted into the wall socket	■ Fit the plug into the wall socket.
	■ There is no electricity supply from the wall socket	■ Replace the fuse if it has blown. ■ Contact a qualified electrician.
	■ The programme selector dial is not set correctly	■ Turn the dial to the time required.
	■ The machine does not start	■ Check that the child safety catch is in position.
The dryer does not dry properly	■ The filter is clogged	■ Clean the filter after each drying operation.
	■ Insufficient drying time	■ Carry out an extra drying phase.
	■ Excessive laundry load	■ Reduce the laundry load.
	■ The dryer is not correctly installed	■ Check to see installation is in accordance with instructions (see pages 4 and 5).
		In particular, check efficiency of air-intake louvres and of the condensation vents.

If, after the above checks, there is still a fault, call your nearest Zanussi Service Force Centre, whose address and telephone number can be found on the following pages.

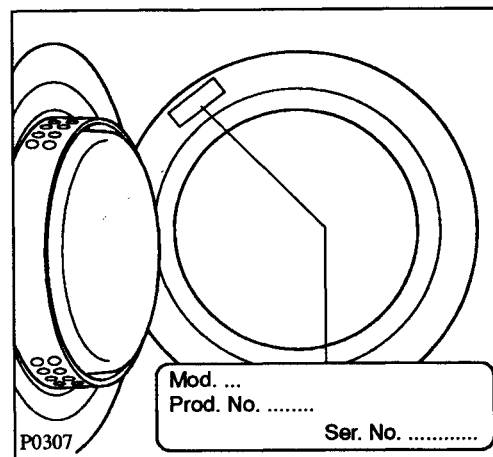
Please make sure you give the model and serial number of the appliance. This information can be found on the rating plate, or on the guarantee certificate. Original spare parts can be purchased from Zanussi Service Force Centres.

**In-guarantee customers should ensure that the above checks have been made as the engineer will make a charge if the fault is not a mechanical or electrical breakdown.**

Please note that proof of purchase is required for any in-guarantee service calls.

## SERVICE DETAILS - ADHESIVE LABEL

When you return your guarantee card to Zanussi Ltd., you will receive a "Appliance Guarantee And Maintenance Record" together with an adhesive label. The label can be adhered to the machine or adjacent furniture.



---

# PEACE OF MIND FOR TWELVE MONTHS

---

## Zanussi guarantee conditions

This guarantee is in addition to your statutory and other legal rights which will not be excluded or in any way diminished by the return of this guarantee card.

We, Zanussi Ltd., undertake that if, within twelve months of the date of the purchase, this ZANUSSI appliance or any part thereof is proved to be defective by reason only of faulty workmanship or materials, we will, at our option, repair or replace the same **FREE OF ANY CHARGE** for labour, materials or carriage on condition that:

- \* The appliance has been correctly installed and used only on the electricity supply stated on the rating plate.
- \* The appliance has been used for normal domestic purposes only, and in accordance with the manufacturer's operating and maintenance instructions.
- \* The appliance has not been serviced, maintained, repaired, taken apart or tampered with by any person not authorised by us.
- \* The appliance is still in the possession of the original purchaser.

All service work under this guarantee must be undertaken by a Zanussi Service Force Centre.

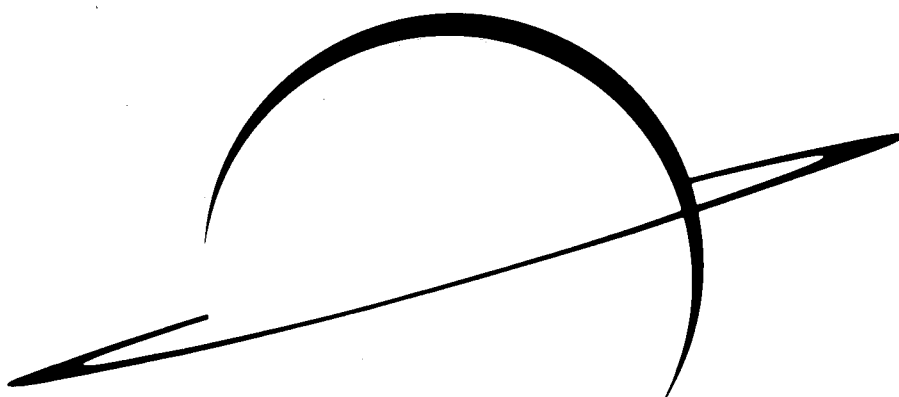
Home visits are made between 8.30 am and 5.30 pm Monday to Friday. Visits may be available outside these hours in which case a premium will be charged.

Any appliance or defective part replaced shall become our property.

## Exclusions

This guarantee does not cover:

- \* Damage or calls resulting from transportation, improper use or neglect, the replacement of any light bulbs or removable parts of glass or plastic.
- \* Costs incurred for calls to put right machines improperly installed or calls to machines outside the UK and the Republic of Ireland.
- \* Appliances found to be in use within a commercial or similar environment, plus those which are the subject to rental agreements.
- \* Products of Zanussi manufacture which are NOT marketed by Zanussi Ltd.
- \* EEC Countries - The standard guarantee is applicable but subject to the owner's responsibility and cost to ensure the appliance meets the standards set by the country to which the product is taken. The Zanussi company in the country concerned will be pleased to advise further. Sight of your purchase receipt will be required by them.



# ZANUSSI

The appliance of science

Zanussi Ltd., Zanussi House, Newbury

The information in this manual is correct at time of going to press.  
Zanussi reserve the right to alter specifications without notice.



## Free Manuals Download Website

<http://myh66.com>

<http://usermanuals.us>

<http://www.somanuals.com>

<http://www.4manuals.cc>

<http://www.manual-lib.com>

<http://www.404manual.com>

<http://www.luxmanual.com>

<http://aubethermostatmanual.com>

Golf course search by state

<http://golfingnear.com>

Email search by domain

<http://emailbydomain.com>

Auto manuals search

<http://auto.somanuals.com>

TV manuals search

<http://tv.somanuals.com>