

B 457

**INSTRUCTIONS FOR THE USE AND CARE
OF YOUR ZANUSSI TUMBLE DRYER
TD61/A**

A central graphic for the manual cover. It features a white rectangular box with a thick black border. Inside the box, the words "ZANUSSI", "USE & CARE", and "MANUAL" are stacked vertically in a bold, black, sans-serif font. The box is flanked by horizontal white bars: four on the left and three on the right, all set against a black background.

**ZANUSSI
USE & CARE
MANUAL**

It is most important that this instruction book should be retained with the appliance for future reference. Should the appliance be sold or transferred to another owner, or should you move house and leave the appliance, always ensure that the book is supplied with the appliance in order that the new owner can be acquainted with the functioning of the appliance and the relevant warnings.

Tumble Dryers - Warnings

THESE WARNINGS ARE PROVIDED IN THE INTEREST OF SAFETY, YOU MUST READ THEM CAREFULLY BEFORE INSTALLING OR USING THE APPLIANCE.

- Always switch off and unplug appliance after use.
- Any electrical work required to install this appliance should be carried out by a qualified electrician.
- This machine is designed to be operated by adults. Children should not be allowed to tamper with the controls or play with the product.
- This product should be serviced by an Authorised Zanussi Network Service Centre, and only genuine Zanussi spare parts should be used.
- It is dangerous to alter the specifications or modify this product in any way.
- Care must be taken to ensure that the appliance does not stand on the electrical supply cable.
- Do not overload the appliance.
- Never tumble dry items that have had contact with chemicals such as dry cleaning fluid. These are of a volatile nature and could cause an explosion.
- The dryer door can become very hot during the drying cycle. Keep children away from the vicinity of the appliance when it is in operation.
- Leave the porthole door slightly ajar when not in use to preserve the door seal.
- Fluff filters must be cleaned after every use.
- Do not operate the appliance with a damaged filter or with no filter at all, as this may cause a fire.
- Do not allow fluff to accumulate around the dryer.
- If the steam is to be extracted through a ventilation system, you must ensure that the ducting for the appliance is not connected to any existing ventilation or duct work system which is being used for any other purpose.
- This appliance must be installed in a clean, dry environment. Cabinet damage, which is not covered by guarantee, could ensue if this recommendation is not adhered to.
- Pets or children have been known to climb into tumble dryers. Check your drum before use.
- Under no circumstances should you attempt to repair the machine yourself. Repairs carried out by inexperienced persons may cause injury or serious malfunctioning. Refer to your local Zanussi Service Centre. Always insist on genuine Zanussi spare parts.

Contents

Specifications	3
Features	4
Installation	5
The Electrical Connections	6
Getting to know your machine	7
Using your machine	8
The drying programmes	9
Looking after your machine	10
Servicing	11
Zanussi guarantee conditions	12

Please note that the specifications of your machine may differ slightly from those shown in this leaflet.

Specifications

Dimensions:

Height 68cm

Width 50cm

Depth 53cm

Weight 28kg

Capacity: Cotton 3.2kg

Synthetics 1.5kg

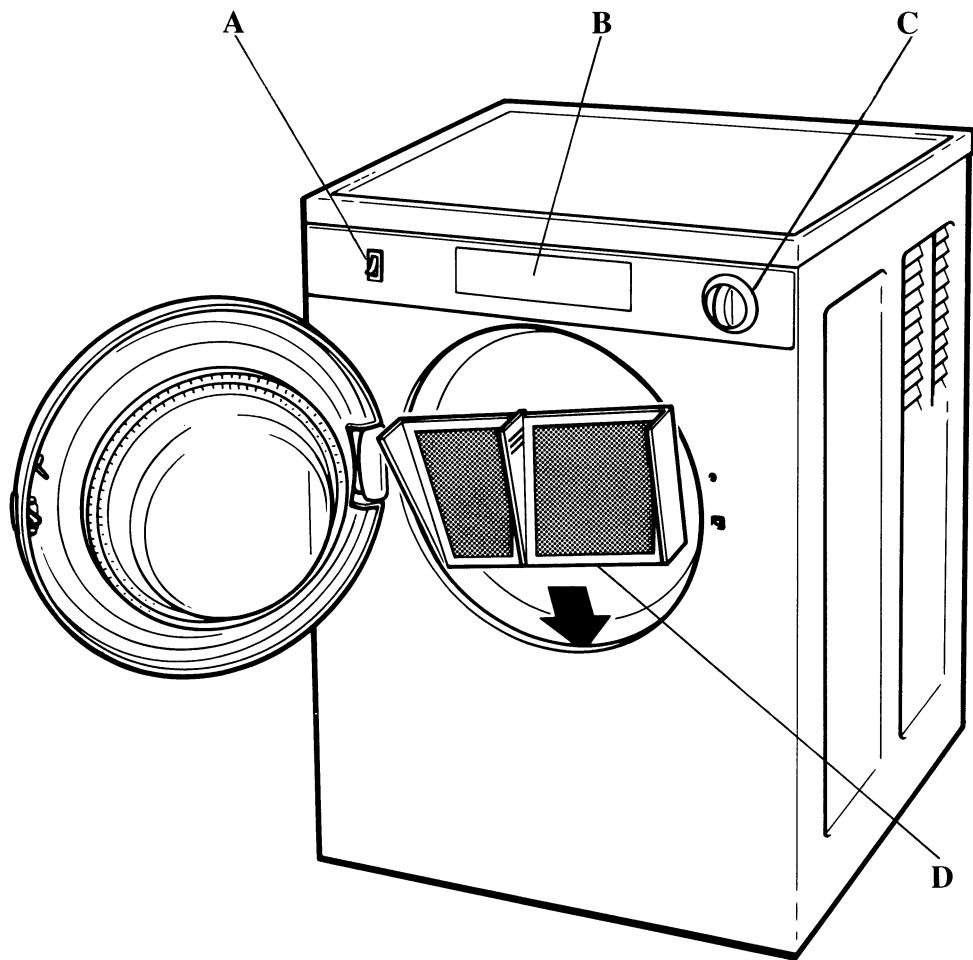
Total Power Absorbed: 2.2kw

Voltage: 240V

Frequency: 50Hz

Energy Consumption: 2.5kwh

Features



A High/Low Temperature Switch

B Programme Chart

C Time Selector Dial

D Lint Filter

Installation

Positioning

It is recommended that, for your convenience, the tumble dryer is positioned close to your washing machine. A wall bracket is available to enable you, if required, to attach the dryer to the wall. This can be obtained from the Zanussi Service Network.

Whilst drying, the tumble dryer will expel a certain amount of warm, very moist air, and this should be removed from the room as quickly as possible to prevent condensation.

In an extremely well ventilated room or close to an open window, this may occur naturally. However, in general, it is better to carry the dryer's exhaust outside via a length of 100mm diameter flexible trunking (available as an optional extra from your Zanussi agent); ending either temporarily at an open window, or permanently at a fixed ventilation grille, fitted to an exterior wall or window.

Fitting the Trunking

There is a vent outlet at the back of the appliance. One end of the flexible trunking is fitted with an adaptor which clips into the vent outlet (See fig. 1).

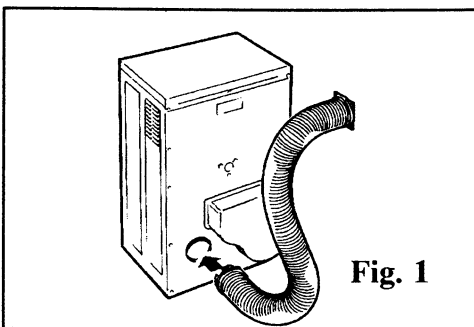
Once connected to the dryer, run the trunking to the desired outlet point, ensuring that the run's overall length is less than 2m, and that it contains no more than two bends. As to the outlet itself, if you have decided on a fixed wall/window grille, a venting kit is available from your local Zanussi Service Network.

It is important **NOT** to connect the trunking to, for example, a cooker hood, or a chimney or flue pipe designed to carry the exhaust from a fuel burning appliance.

Note that to avoid condensation problems, it is essential that the dryer be fitted with flexible trunking to carry its 'exhaust' at least beyond the kitchen units; preferably outside the kitchen.

Levelling

To keep vibration and noise to a minimum when the dryer is in use, it should be placed on a firm, level surface. Once in its permanent operating position, check that the dryer is absolutely level with the aid of a spirit level.



The Electrical Connections

WARNING: THIS APPLIANCE MUST BE EARTHED

The manufacturer declines any liability should this safety measure not be observed.

If the plug that is fitted to your appliance is not suitable for your socket outlet, it must be cut off and the appropriate plug fitted.

The cut off plug should be disposed of to prevent the hazard of electric shocks in case it should be plugged into a 13 amp socket in another part of your home.

IMPORTANT

The wires in this mains lead are coloured in accordance with the following code:

GREEN AND YELLOW - EARTH
BLUE - NEUTRAL
BROWN - LIVE

If you fit your own plug, the colours of the wires in the mains lead of your appliance may not correspond with the markings identifying the terminals in your own plug, this is what you have to do:

connect the green and yellow (earth) wire to the terminal in the plug which is marked with the letter 'E' or the earth symbol or coloured green or green and yellow

connect the blue (neutral) wire to the terminal in the plug which is marked with the letter 'N' or coloured black

connect the brown (live) wire to the terminal which is marked with the letter 'L' or coloured red.

The plug moulded on to the cord incorporates a fuse. For replacement, use a 13 amp fuse BS1362 fuse. Only ASTA approved fuses should be used. The fuse

cover/carrier must be replaced in the event of changing the fuse.

The right fuse cover/carrier colour is the one shown by the coloured insert at the base of the plug.

The plug must not be used if the fuse cover/carrier is lost. A replacement cover/carrier must be obtained from the Zanussi Service Network whose addresses are listed on the attached 'Zanussi Service Agents Nationwide', or in your telephone directory under 'Z'.

This appliance complies with the EEC directive number 82/499 of 7.6.82 relative to radio interference suppression.

In addition, avoid connecting the dryer to the same socket as your washing machine (or any other appliance) by means of an adaptor. Have an extra socket installed if necessary by a qualified electrician.

Getting To Know Your Machine

The Controls and How to Use Them

- A Temperature switch
- B Programme chart
- C Time Selector dial
- D Lint Filter

A Temperature Switch

Press the top of the switch for a high temperature; press the bottom of the switch for a low temperature.

Use the high temperature for drying cottons and linens and the low temperature for drying synthetics and delicates.

B Programme Chart

This will help you select the correct programme or time for drying.

C Time Selector Dial

The selector dial is marked with times in minutes. To set the machine to the selected time, turn the dial clockwise until the time you want coincides exactly with the pointer (See fig. 2).

The dial can be turned anticlockwise to shorten the programme if necessary. Do not force the dial beyond the off position.

D Lint Filter

Place the filter in it's operating position as shown on page 4.

Time Controlled Programmes

For these programmes you select the drying time according to the suitability of the fabric. The programme guide is designed to help you.

The compact dryer has a drying time of up to 120 minutes. This can be extended when the original programme is completed, by re-setting the control knob for a further period of drying. The door of the machine can be opened at any time during the programme if you want to feel the dryness of the fabrics. It is a mistake to allow the fabric to become too dry as this gives it a rough feel.

It is better to select too short a time and then set the dial for a further period if necessary.

Remember that during the last 12 minutes of the operation, the heat is cut off in order to carry out a fabric cooling phase, which prevents any creasing or crumpling of the fabrics - if you do set the dial for extra drying time, 15 minutes would be the minimum.

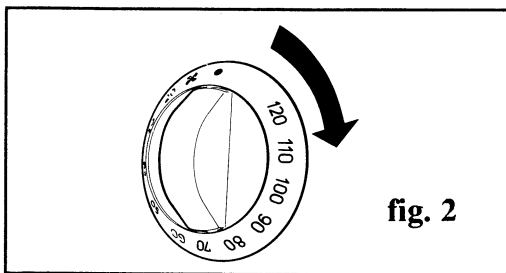


fig. 2

Using Your Machine

1. Sort out the clothes into groups of similar fabrics.
Check all fastenings are closed and pockets empty.
Roll dripping wet clothes in towel to remove excess water.
Turn sweaters inside out.

The maximum load you can dry in your tumble dryer is 3.2kg (7lb) of cotton, linen and other strong fabrics, 1.6kg (3.5lb) of synthetics and 1.4kg (3lb) of absorbent fabrics such as towelling.

2. Open the door. Load clothes loosely into the drum, load sheets first starting with one corner.
It is better to dry small and large articles together.

3. Close the door firmly.
Dry your hands.
Check that the timer is in the 'O' position.
Plug in the machine.

4. Select correct heater position (see programme chart on control panel).
To start the cycle, set the timer dial clockwise to the required time. The drum will begin to rotate at this point and stop when the timer reaches the 'O' position.

5. To stop the machine in the middle of a programme simply open the door, and the drum will stop moving.
To re-start, close the door firmly.
To lengthen or shorten the drying time at any time during the programme, turn the timer knob in the appropriate direction.

6. We suggest you stop your dryer and redistribute large items such as sheets several times during the programme.

7. After removing the dried clothes clean the filter as follows:

- pull the filter upwards.
- remove any thread or fluff by hand or with a soft brush.
- slide the filter back.
- wash the filter occasionally in detergent solution and with a soft brush remove small particles.
- disconnect from the electricity supply.

Do not be alarmed by the amount of fluff. It is not due to excessive wear caused by the dryer. All fabric loses fluff when drying but it goes unnoticed in the air. In a tumble dryer it simply collects in the filter.

DON'T

OVERLOAD THE DRYER

PLACE DRIPPING WET ARTICLES IN THE DRYER.

DRY ARTICLES THAT HAVE BEEN TREATED WITH A DRY CLEANING FLUID.

DRY ARTICLES CONTAINING FOAM RUBBER OR RUBBER-LIKE MATERIALS IN THE DRYER.

DRY LARGE ARTICLES ALONE AS THEY TEND TO ROLL UP AND SO INCREASE DRYING TIME.

Drying Programmes

Laundry Type	Quantity	Spin Speed r.p.m.	Degree of Drying	Control Knob Setting
Cotton/Linen	3.18kg (7lbs)	500	Iron dry	100
		800/1000		80
		2800		60
	1.59kg (3.5lbs)	500	Iron dry	80
800/1000		60		
2800		40		
3.18kg (7lbs)	500	Store dry	120	
	800/1000		110	
	2800		80	
1.59kg (3.5lbs)	500	Store dry	100	
	800/1000		80	
	2800		60	
Synthetics	1.59kg (3.5lbs)	500	Store dry	60
		800/1000		50
		2800		40
	.45kg (1lb)	500		40
800/1000		30		
2800		20		

If the laundry is spun dried in a washing machine at less than 500rpm the residual dampness will be higher and consequently the drying time should be increased. This applies particularly to laundry consisting primarily of towels.

If the laundry is spun dried at more than 1000rpm, the residual dampness will be lower and consequently the drying time should be decreased.

Looking After Your Machine

IMPORTANT: Make sure that the machine is unplugged before undertaking any kind of maintenance.

General Care and Cleaning

Dust and fluff will tend to deposit in the door openings and filter seat, this should be removed from time to time with the crevice nozzle of a vacuum cleaner.

From time to time, clean the plated, polished and plastic parts and the glass porthole with a soft damp cloth. Never use abrasive powders. Wipe over the exterior of the cabinet with lukewarm water and a mild, liquid cleaner, rinse and dry thoroughly. From time to time, apply a little wax furniture cream with a soft cloth.

Hints for successful drying

Use fabric conditioner when washing towels or woollens and they will dry with a softer finish. Remove clothes from the machine as soon as drying is complete. This will prevent them from creasing.

Never select over-long drying times or fabrics may come out feeling rough, or worse; shrunk.

Take light articles out when they are still slightly damp and hang them on a clothes line for a short time.

Items which need ironing should be dried to 'ironing dry'. If you cannot iron them immediately fold and roll them up to preserve a uniform dryness.

If you are hand washing nappies, rinse them thoroughly in clear water, spin them as dry as possible and then put them in the dryer to dry off.

Always remember to empty pockets before washing clothes and then tumble drying them. (This is important as loose coins lodged between the tub and the drum can cause excessive damage). Avoid drying dark clothes with light coloured fluffy items such as towels as they could attract the fluff.

Servicing

If, having followed these instructions carefully, your machine fails to work properly, contact your local Zanussi Service Network whose details can be found by looking under 'Z' in your telephone directory. Before you do that though, it is worth making a few simple checks yourself.

* Please note that proof of purchase will be required for any in-guarantee service calls.

If the machine won't start...

Make sure that the door of the machine is firmly shut.

Make sure that you have set the selector dial properly.

Make sure that the appliance is properly plugged in and that the socket switch (if any) is in the 'on' position.

Check that there is power at the socket by plugging in an appliance you know to be working-a small lamp, for example. If this too fails to work, check the main circuit fuses in your home's consumer unit or the main fuse box.

If the laundry will not dry despite the machine having been set at max...

Check that the drum is not overloaded.

Was the laundry adequately spun dried before you put it in the drum.

Check that the fluff filter is not clogged.

Make sure that the room where the dryer is installed is adequately ventilated.

IN-GUARANTEE CUSTOMERS SHOULD ENSURE THAT THE ABOVE CHECKS HAVE BEEN MADE AS THE ENGINEER WILL MAKE A CHARGE IF THE FAULT IS NOT A MECHANICAL OR ELECTRICAL BREAKDOWN.

This handbook is accurate at the date of printing, but will be superseded, and should be disregarded if specifications or appearance are changed in the interests of continued improvement.

ZANUSSI GUARANTEE CONDITIONS

This guarantee is in addition to your statutory and other legal rights which will not be excluded or in any way diminished by the return of this guarantee card.

Zanussi Ltd. guarantees that if within twelve months of the date of purchase, this ZANUSSI appliance or any part thereof is proved to be defective by reason only of faulty workmanship or materials the Company will, at its option, repair or replace the same **FREE OF ANY CHARGE** for labour, materials or carriage on condition that:

-The appliance has been correctly installed and used only on the electricity supply stated on the rating plate

-The appliance has been used for normal domestic purposes only, and in accordance with the manufacturer's operating and maintenance instructions

-The appliance has not been serviced, maintained, repaired, taken apart or tampered with by any person not authorised by the Company

-The appliance is still in the possession of the original purchaser

-Any appliance or defective part replaced shall become the Company's property.

Exclusions

This guarantee does not cover any damage caused during transportation or replacement light bulbs or removable parts of glass or plastic.

Should you require service on your Zanussi appliance consult the enclosed list for your nearest network centre. If the product is covered by the first year's guarantee you will be required to produce proof of date of purchase to the engineer. If you have 5 Year Cover then you must show your cover card to the engineer.

Please ensure that the enclosed pre-addressed card is stamped, completed in full and forwarded to Zanussi Ltd. to enable the guarantee to be recorded. Also complete the space below as your own record of guarantee.



ZANUSSI

The Appliance of Science

Free Manuals Download Website

<http://myh66.com>

<http://usermanuals.us>

<http://www.somanuals.com>

<http://www.4manuals.cc>

<http://www.manual-lib.com>

<http://www.404manual.com>

<http://www.luxmanual.com>

<http://aubethermostatmanual.com>

Golf course search by state

<http://golfingnear.com>

Email search by domain

<http://emailbydomain.com>

Auto manuals search

<http://auto.somanuals.com>

TV manuals search

<http://tv.somanuals.com>