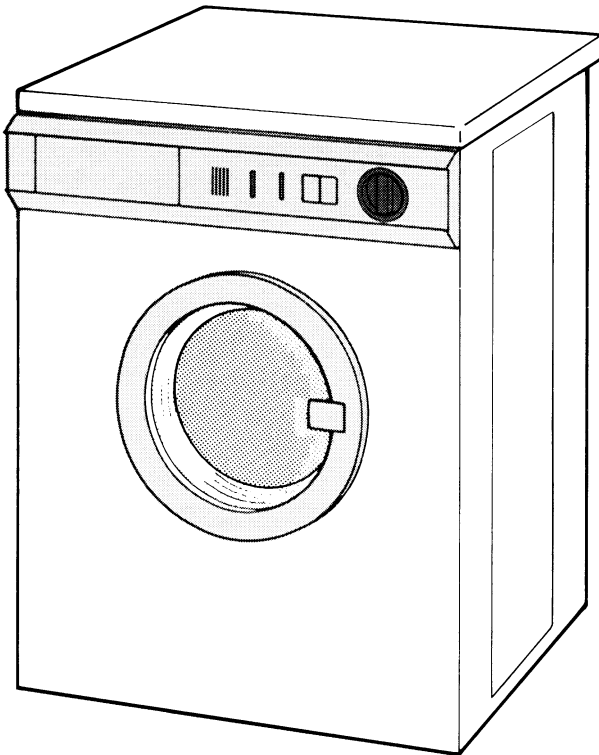


ER

INSTRUCTIONS FOR THE USE AND CARE OF ZANUSSI TUMBLE DRYER



ER

MODEL NO. TE 301/A

ZANUSSI
The appliance of science

It is most important that this instruction book should be retained with the appliance for future reference. Should the appliance be sold or transferred to another owner, or should you move house and leave the appliance, always ensure that the book is supplied with the appliance in order that the new owner can be acquainted with the functioning of the appliance and the relevant warnings.

Warnings - Tumble Dryers

THESE WARNINGS ARE PROVIDED IN THE INTEREST OF SAFETY. YOU MUST READ THEM CAREFULLY BEFORE INSTALLING OR USING THE APPLIANCE.

Always switch off and unplug appliance after use.

Any electrical work required to install this appliance should be carried out by a qualified electrician or competent person.

This appliance is designed to be operated by adults. Children should not be allowed to tamper with the controls or play with the product.

This product should be serviced by an Authorised Zanussi Network Service Centre, and only genuine Zanussi spare parts should be used.

It is dangerous to alter the specifications or modify this product in any way.

Care must be taken to ensure that the appliance does not stand on the electrical supply cable.

Do not overload the appliance.

Never tumble dry items that have had contact with chemicals such as dry cleaning fluid. These are of a volatile nature and could cause an explosion.

The glass door becomes very hot during the drying cycle. Keep children away from the vicinity of the appliance when it is in operation.

Leave the porthole door slightly ajar when not in use to preserve the door seal.

Fluff filters must be cleaned after every use.

Do not operate the appliance with a damaged filter or with no filter at all, as this may cause a fire.

Zanussi tumble dryers are designed to be vented through to the open air. The appliance should have its own ventilation system which should not be joined with any other ventilation system connected to any other appliance.

Pets or children have been known to climb into tumble dryers. Check your drum before use.

Under no circumstances should you attempt to repair the machine yourself. Repairs carried out by inexperienced persons may cause injury or more serious malfunctioning. Refer to your local Zanussi Service Centre. Always insist on genuine Zanussi spare parts.

Contents

Technical data	page 3
Installation	Page 5
Getting to know your machine	page 9
The drying programmes	page 10
Using your machine	page 12
Looking after your machine	page 14
Hints for successful drying	page 15
Servicing	page 16
Zanussi guarantee conditions	page 17
5 year cover	page 18

Please note that the specifications of your appliance may differ slightly from those shown in this leaflet.

Technical data

Dimensions:

Height	85.0cm (33.5ins)
Width	60.0cm (23.6ins)
Depth	57.0cm (22.4ins)
Weight	45kg (99lb)
Capacity	4.5kg (10lb)

Power absorbed:

Motor	250W
Heating Element	2380W
Total Power Absorbed	2630W

A. Programme selector dial

B. "Low temperature" button

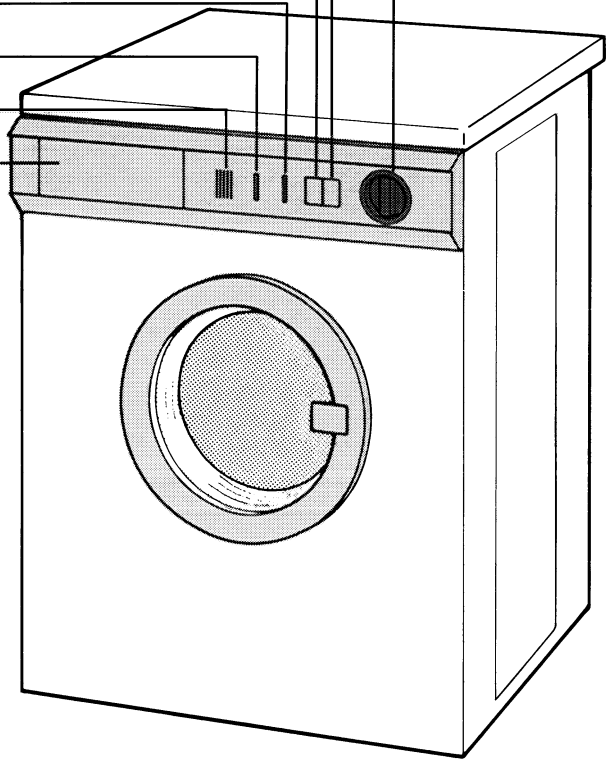
C. ON/OFF SWITCH ①

D. "Power" indicator light ⚡

E. «Unload» indicator 🚪

F. Buzzer 📢

G. Programme chart



Please note that the external appearance of your appliance may differ slightly from that shown in this instruction book.

Installation

Positioning

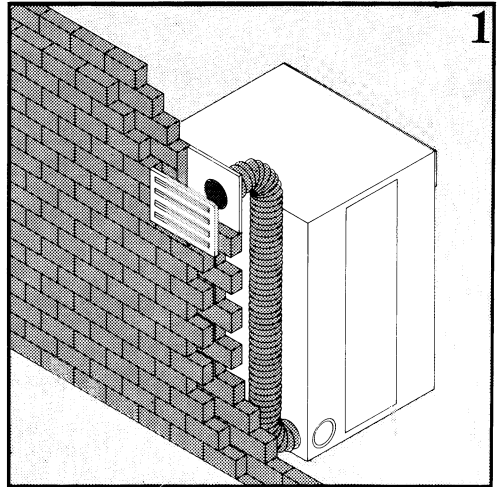
It is recommended that, for your convenience, the machine is positioned close to your washing machine.

Whilst drying, the tumble dryer will expel a certain amount of warm, very moist air, and this should be removed from the room as quickly as possible to prevent condensation. In an extremely well ventilated room or close to an open window, this may occur naturally. However, in general, it is better to carry the dryer's exhaust outside via a length of 100mm diameter flexible trunking (available as an optional extra from your Zanussi agent); ending either temporarily at an open window, or permanently at a fixed ventilation grille, fitted to an exterior wall or window (Fig. 1).

Please ensure that when the appliance is installed it is easily accessible for the engineer in the event of a breakdown.

Levelling

To keep vibration and noise to a minimum when the dryer is in use, it should be placed on a firm, level surface. Once in its permanent operating position, check that the dryer is absolutely level with the aid of a spirit level. If it is not, raise or lower the two adjustable feet at the front of the machine until it is.



Fitting the Trunking

To simplify the installation, there is a choice of vent outlets: one at the back; the other in the left hand side (Fig. 2). Connect the trunking to whichever is the more convenient by pulling the ring nut from the vent, screwing it on to the trunking, and pushing it firmly back into place (Fig. 3).

The unused vent should now be sealed with the special snap cover provided. If you find that, when delivered, the dryer has the cover and ring nut fitted to the wrong vents, merely switch them round before connecting the trunking - the snap in cover just levers out.

Once connected to the dryer, run the trunking to the desired outlet point, ensuring that the run's overall length is less than 2m, and that it contains no more than two bends. As to the outlet itself, if you have decided on a fixed wall/window grille, a good local builder's merchant should be able to supply you with the necessary fittings and installation advice.

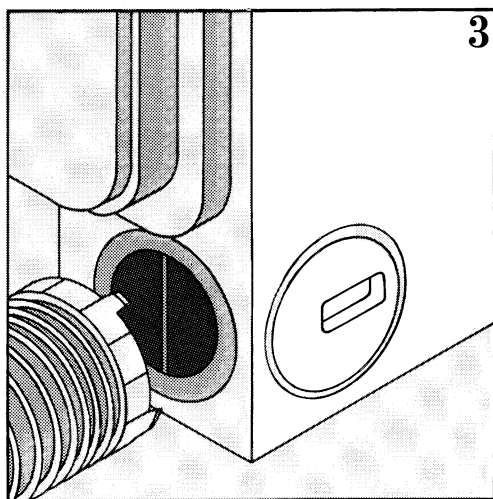
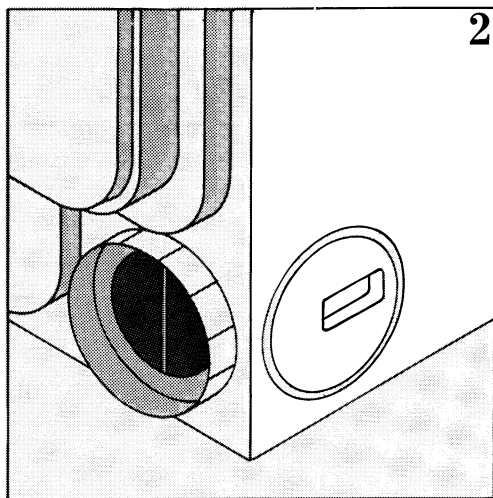
It is important not to connect the trunking to, for example, a cooker hood, or a chimney or flue pipe designed to carry the exhaust from a fuel burning appliance.

Note that to avoid condensation problems, it is essential that the dryer be fitted with flexible trunking to carry its «exhaust» at least beyond the kitchen units; preferable outside the kitchen.

In order to prevent the appliance from overheating, it is important that the steam exhaust is unobstructed.

Therefore, in case of a permanent trunking fitted to an exterior wall or ceiling, it must be ensured an exhaust capacity of at least 150 m³/h.

Do not allow the appliance operating at a room temperature higher than + 35°C.



The Electrical Connections

WARNING

THIS APPLIANCE
MUST BE EARTHED

The manufacturer declines any liability should this safety measure not be observed.

If the plug that is fitted to your appliance is not suitable for your socket outlet, it must be cut off and the appropriate plug fitted.

The cut off plug should be disposed of to prevent the hazard of electric shocks in case it should be plugged into a 13 Amp socket in another part of your home.

Important

The wires in this mains lead are coloured in accordance with the following code:

GREEN AND YELLOW - EARTH

BLUE - NEUTRAL

BROWN - LIVE

If you fit your own plug, the colours of the wires in the mains lead of your appliance may not correspond with the markings identifying the terminals in your plug, this is what you have to do:

Connect the green and yellow (earth) wire to the terminal in the plug which is marked with the letter «E» or the earth \perp symbol or coloured green, or green and yellow.

Connect the blue (neutral) wire to the terminal in the plug which is marked with the letter «N» or coloured black.

Connect the brown (live) wire to the terminal which is marked with the letter «L» or coloured red.

The plug moulded on to the cord incorporates a fuse. For replacement, use a 13 Amp BS 1362 fuse. Only ASTA approved fuses should be used.

The fuse cover/carrier must be replaced in the event of changing fuse.

The right fuse cover/carrier colour is the one shown by the coloured insert at the base of the plug.

The plug must not be used if the fuse cover/carrier is lost. A replacement cover/carrier must be obtained from Zanussi Service Agents whose addresses are listed on the attached «Zanussi Service Agents Nationwide».

This appliance complies with E.E.C. directive no. 82/499 of 7.6.82 relative to radio interference suppression.

In addition, avoid connecting the dryer to the same socket as your washing machine (or any other appliance) by means of an adaptor. Have an extra socket installed if necessary by a qualified electrician.

Getting to know your machine

The controls and How to Use Them

- A. Programme selector dial
- B. "Low temperature" button
- C. On/Off switch ①
- D. Power indicator light ⚡
- E. "Unload" indicator light ↻
- F. Buzzer 📢
- G. Programme chart

A. Programme Selector Dial

The selector dial is marked with letters corresponding with those on the chart (page 11) and with times in minutes. To set the machine to the selected programme or time, turn the dial clockwise until the letter or time you want coincides exactly with the pointer. Never attempt to turn the dial in an anti-clockwise direction.

B. "Low temperature" button

Depress this pushbutton when drying loads of particularly delicate cotton or linen. In such case the drying time is increased proportionately.

C. On/Off Switch ①

The switch is pressed in to the «on» position to start the selected programme and must be returned to the «off» position at the end of the programme, when the machine stops and the selector dial is at stop. You can then open the door.

D. Power indicator light ⚡

The pilot light comes on when the switch is pressed on. It will go out when the switch is pressed off.

E. «Unload» indicator light ↻

This comes on at the end of the programmes.

F. Buzzer 📢

The sound signal buzzes when the automatic cycle light comes on at the end of the programmes to warn you that the programme is at an end (see page 13) and will buzz intermittently for a number of minutes or until the off switch is pressed.

G. Programme Chart

This will help you to select the correct programme or time for drying. (See chart page 11).

Meaning of the symbols

- 📢 Sound signal device
- ↻ Cycle completion
- ⚡ Power indicator light
- ① On/Off switch
- ❄️ Cooling phase

The drying programmes

The TE 301/A machine can be set to dry on an automatic, electronically controlled programme or a time controlled one.

The Electronically Controlled Programmes

These operate by means of an electronic control circuit with dampness sensors. All you have to do is to set the selector dial for the programme required (see chart, page 11) and the laundry will be dried to the selected degree of dampness whether you put a full or part load of clothes into the drum. The following are the degrees of final drying which can be obtained with electronic control:

Cupboard dry

suitable for items which you want to put away without ironing, for example towels and non-iron fabrics.

Ironing dry

suitable for items which need hand ironing or light fabrics which will be machine ironed.

Machine Ironing dry

dries to the right degree of dampness for machine ironing.

Time Controlled Programmes

For these programmes you select the drying time according to your experience. The programme guide is designed to help you.

TE 301/A dries for up to 60 minutes. This can be extended when the original programme is completed, by re-setting the control knob for a further period of drying. The door of the machine can be opened at any time during the programme if you want to feel the dryness of the fabrics. It is a mistake to allow the fabric to become too dry as this gives it a rough feel. It is better to select too short a time and then set the dial for a further period if necessary.

Remember that during the last 10 minutes of the operation, the heat is cut off in order to carry out a fabric cooling phase, which prevents any creasing or crumpling of the fabrics.

Drying programmes

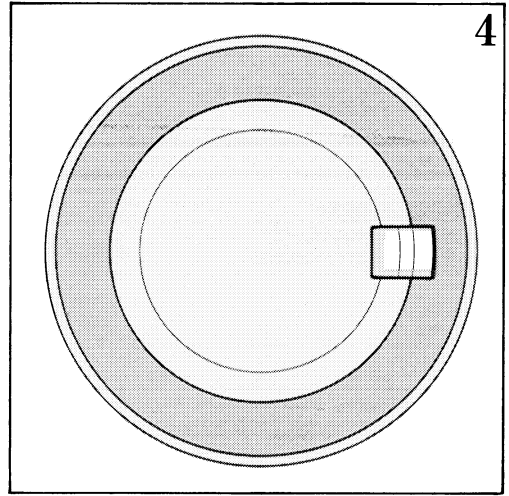
Type of laundry	Degree of drying required	Quantity	Control knob setting
COTTON & LINEN (Underwear, vests, towels, tablecloths, white/coloured bed sheets)	Extra dry	4,5Kg (10lb) MAX	A
	Cupboard dry	4.5kg (10lb) MAX	B
	Slightly damp	4.5kg (10lb) MAX	F
	Hand iron dry	4.5kg (10lb) MAX	G
	Machine iron dry	4.5kg (10lb) MAX	H
SYNTHETICS	Cupboard dry	1.75kg (4lb) MAX	D
DELICATE SYNTHETICS	Cupboard dry	1.75kg (4lb) MAX	C
TIME CONTROLLED PROGRAMMES	Cotton & linen		High: Up to 60 minutes
	Synthetics		Low: Up to 30 minutes

Using your machine

Sorting the Load

The maximum load you can dry in your tumble dryer is 4.5kg (10lb) of cotton, linen and other strong fabrics, 1.75kg (4lb) of synthetics and 2.25kg (5lb) of absorbant fabrics such as towelling.

If you are using a washing machine, all you have to do is transfer the clothes, after the spin cycle from the washing machine to the tumble dryer. Otherwise sort the laundry according to fabric. It is essential for satisfactory and economic drying, that the washing is spin-dried before putting it into the machine. If it is sopping wet, it will take a very long time to dry and a lot of steam will be discharged.



Don't put laundry on the door!

Loading the Laundry

Open the drum loading door by pulling the catch forwards (Fig. 4).

Before using the appliance for the first time, clean the inside of the drum with a piece of cloth soaked in a little white spirit or methylated spirits.

Load the wet spun-dried clothes, alternating large items such as sheets and tablecloths with smaller items like shirts, hand towels etc. Make sure that all pockets are empty, zips closed and belts etc tied. Close the door firmly until it clicks.

Important

Only laundry washed in water should be dried with the tumble dryer.

In particular, the following fabrics should not be loaded into the dryer:

Clothes which were dry-cleaned or cleaned with chemical solvents;

Woollens or mixed woollens which will shrink with heat;

Extremely delicate fabrics, such as silk and synthetic curtains;

Rubber like materials;

Fiber glass items.

To start the machine

Check that:

the main switch is on

the door is properly closed

the plastic venting hose, if you have one, is in position.

Select the drying time or electronic programme by turning the selector dial clockwise to the required time, or letter (see chart page 11).

Press the «on» switch.

The operating power light will then come on and the machine will start.

The machine will automatically carry out the chosen drying cycle or complete the chosen time. Before taking the clothes out of the machine press the «off» switch (the power light will go out).

Electronic Programmes

At the end of the programmes the tumbler will continue to tumble the clothes at regular intervals for a certain number of minutes to prevent creasing. When this stage is reached the «unload» light will come on and the buzzer will start and continue for a certain period. During this time the clothes should be removed from the drum.

The programme being carried out can be interrupted at any time by opening the loading door, or pressing the «off» switch. To start the machine again, close the door (press the «on» switch) and the machine will carry out the rest of the programme from the point where it was interrupted.

Important

It may happen that, under particular circumstances, when drying small quantities of laundry, the electronic control is switched off in advance, thus leaving the laundry damp.

In this case, a time-controlled programme should be selected.

Looking after your machine

Important

Make sure that the machine is unplugged before undertaking any kind of maintenance.

Cleaning the fluff filter

This needs cleaning after each drying cycle. It is incorporated in the lower rim of the porthole door (Fig. 5) and traps the fluff which collects during a drying cycle. Remove the filter by lifting it out and wipe it with a damp cloth, collecting the fluff carefully.

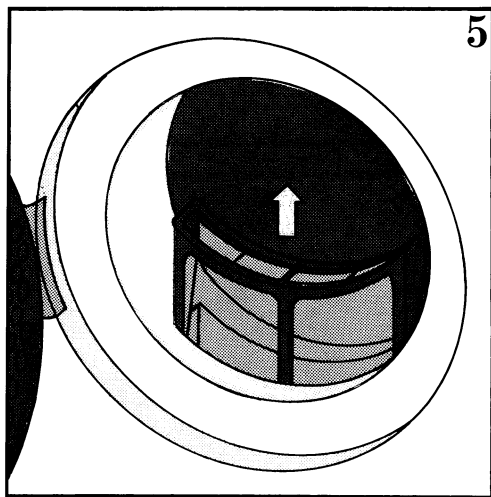
Do not be alarmed by the amount of fluff. It is not due to excessive wear caused by the dryer. All fabric loses fluff when drying but it goes un-noticed in the air. In a tumble dryer it simply collects in the filter.

General care and cleaning

Dust and fluff will tend to deposit in the door openings and filter seat, this should be removed from time to time with the crevice nozzle of a vacuum cleaner.

From time to time, clean the plated, polished and plastic parts and the glass porthole with a soft damp cloth. Never use abrasive powders.

Wipe over the exterior of the cabinet with lukewarm water and a mild, liquid cleaner, rinse and dry thoroughly. From time to time, apply a little wax furniture cream with a soft cloth.



Hints for successful drying

Use fabric conditioner when washing towels or woollens and they will dry with a softer finish. Remove clothes from the machine as soon as drying is complete (when the buzzer goes on).

This will prevent them from creasing.

Never select over-long drying times if you are using the time control cycles or fabrics may come out feeling rough, or worse, shrunk.

Take light articles out when they are still slightly damp and hang them on a clothes line for a short time.

Items which need ironing should be dried to «ironing dry». If you cannot iron them immediately fold and roll them up to preserve a uniform dryness.

If you are hand washing nappies, rinse them thoroughly in clear water, spin them as dry as possible and then put them in the dryer to dry off.

Always remember to empty pockets before washing clothes and then tumble drying them. (This is important as loose coins lodged between the tub and the drum can cause excessive damage). Avoid drying dark clothes with light coloured fluffy items such as towels as they could attract the fluff.

Servicing

If, having followed these instructions carefully, your machine fails to work properly, contact your local Zanussi Service Network. Before you do that though, it is worth making a few simple checks yourself.

If the machine won't start

Make sure that the door of the machine is firmly shut.

Make sure that you have set the selector dial properly or pressed the «on» switch.

Make sure that the appliance is properly plugged in and that the socket switch (if any) is in the «on» position.

Check that there is power at the socket by plugging in an appliance you know to be working - a small lamp, for example. If this too fails to work, check the main circuit fuses in your home's consumer unit or the main fuse box.

If the laundry will not dry despite the machine having been set at max

Check that the drum is not overloaded.

Was the laundry adequately spun dried before you put it in the drum?

Check that the fluff filter is not clogged.

Make sure that the room where the dryer is installed is adequately ventilated.

IN-GUARANTEE CUSTOMERS SHOULD ENSURE THAT THE ABOVE CHECKS HAVE BEEN MADE AS THE ENGINEER WILL MAKE A CHARGE IF THE FAULT IS NOT A MECHANICAL OR ELECTRICAL BREAKDOWN.

*** Please note that proof of purchase is required for any in-guarantee service calls.**

Peace of Mind for Twelve Months

ZANUSSI STANDARD GUARANTEE CONDITIONS

This guarantee is in addition to your statutory and other legal rights which will not be excluded or in any way diminished by the return of the guarantee card.

We Zanussi Ltd. undertake that if, within twelve months of the date of the purchase, this ZANUSSI appliance or any part thereof is proved to be defective by reason only of faulty workmanship or materials, we will, at our option, repair or replace the same **FREE OF ANY CHARGE** for labour, materials or carriage on condition that:

The appliance has been correctly installed and used only on the electricity supply stated on the rating plate.

The appliance has been used for normal domestic purposes only, and in accordance with the manufacturer's operating and maintenance instructions.

The appliance has not been serviced, maintained, repaired, taken apart or tampered with by any person not authorised by us.

The appliance is still in the possession of the original purchaser.

All service work under this guarantee must be undertaken by a Zanussi Network Service Centre.

Any appliance or defective part replaced shall become our property.

Exclusions

This guarantee does not cover:

Damage or calls resulting from transportation, improper use or neglect, the replacement of any light bulbs or removable parts of glass or plastic.

Costs incurred for calls to put right machines improperly installed or calls to machines outside the UK and the Republic of Ireland.

Appliances found to be in use within a commercial environment, plus those which are the subject of rental agreements.

or Five Years

ZANUSSI 5 YEAR COVER CONDITIONS

For a once only payment you can extend your Standard Guarantee to 5 years. All the conditions and exclusions of the Standard Guarantee apply.

Notes

1. Products supplied as «seconds», refurbished, damaged or shop-soiled are not eligible for Zanussi 5 Year Cover.
2. The issue of a cover does NOT by virtue of our having done so, nullify the exclusions.

3. The Engineer will need to check the details of your Cover card and may make a charge for his services if it is not presented to him at the time of his call.

4. The date of purchase, or the date of initial payment (deposit) of the appliance will be deemed the date of commencement of cover.

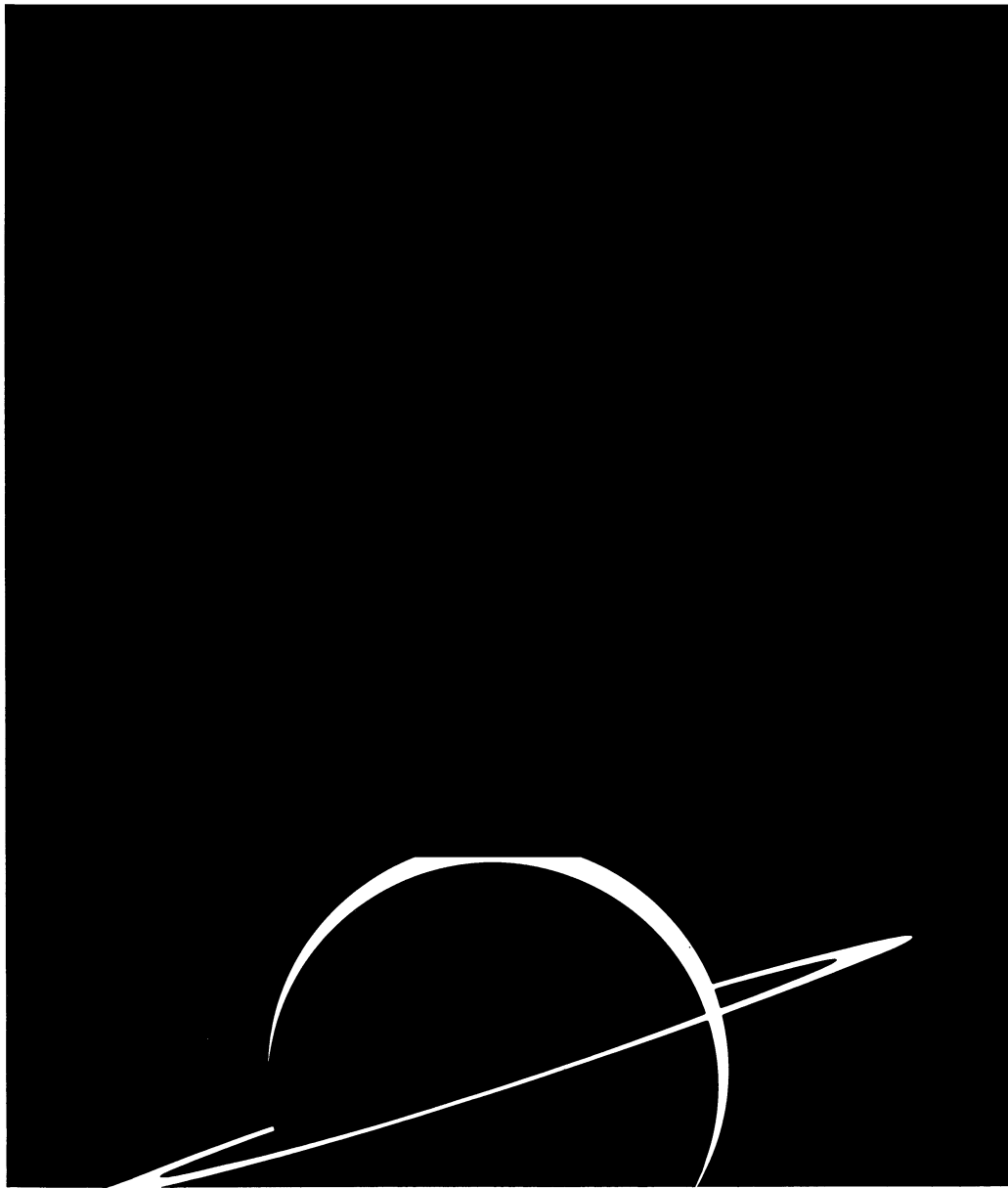
5. Covers issued are not refundable or transferable.

Guarantee record

Appliance purchased from _____ on _____

Guarantee card no _____ Model no _____

Serial no _____ (These details may be taken from your
Guarantee Record Card)



ZANUSSI

The appliance of science

Zanussi Ltd., Zanussi House, Newbury

The information in this manual is correct at time of going to press.

Zanussi reserve the right to alter specifications without notice.

Download from www.Softmanuals.com. All Manuals Search And Download.

Free Manuals Download Website

<http://myh66.com>

<http://usermanuals.us>

<http://www.somanuals.com>

<http://www.4manuals.cc>

<http://www.manual-lib.com>

<http://www.404manual.com>

<http://www.luxmanual.com>

<http://aubethermostatmanual.com>

Golf course search by state

<http://golfingnear.com>

Email search by domain

<http://emailbydomain.com>

Auto manuals search

<http://auto.somanuals.com>

TV manuals search

<http://tv.somanuals.com>