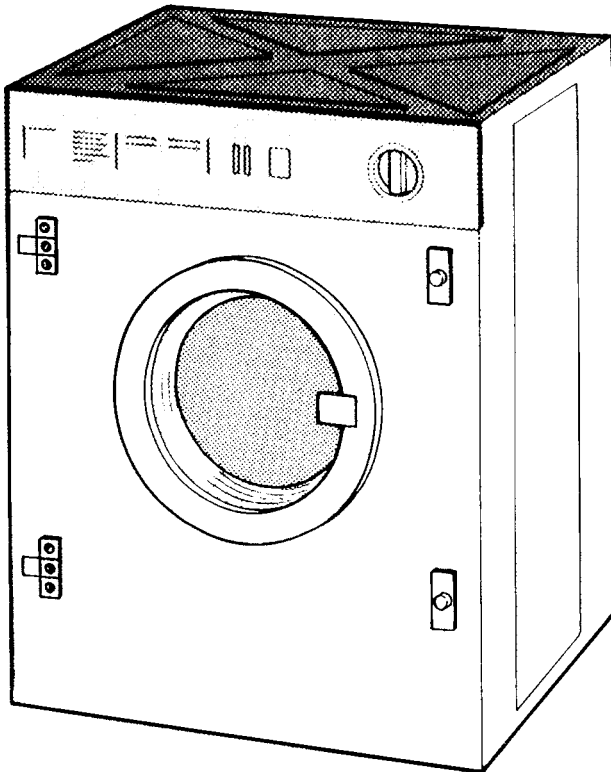


# INSTRUCTIONS FOR THE USE AND CARE OF ZANUSSI TUMBLE DRYERS



MODEL NO TE I 935

**ZANUSSI**  
The appliance of science

**It is most important that this instruction book should be retained with the appliance for future reference. Should the appliance be sold or transferred to another owner, or should you move house and leave the appliance, always ensure that the book is supplied with the appliance in order that the new owner can be acquainted with the functioning of the appliance and the relevant warnings.**

## **Warnings - Tumble Dryers**

**THESE WARNINGS ARE PROVIDED IN THE INTEREST OF SAFETY. YOU MUST READ THEM CAREFULLY BEFORE INSTALLING OR USING THE APPLIANCE.**

**Always switch off and unplug appliance after use.**

**Any electrical work required to install this appliance should be carried out by a qualified electrician or competent person.**

**This appliance is designed to be operated by adults. Children should not be allowed to tamper with the controls or play with the product.**

**This product should be serviced by an Authorised Zanussi Network Service Centre, and only genuine Zanussi spare parts should be used.**

**It is dangerous to alter the specifications or modify this product in any way.**

**Care must be taken to ensure that the appliance does not stand on the electrical supply cable.**

**Do not overload the appliance.**

**Never tumble dry items that have had contact with chemicals such as dry cleaning fluid. These are of a volatile nature and could cause an explosion.**

**The glass door becomes very hot during the drying cycle. Keep children away from the vicinity of the appliance when it is in operation.**

**Leave the porthole door slightly ajar when not in use to preserve the door seal.**

**Fluff filters must be cleaned after every use.**

**Do not operate the appliance with a damaged filter or with no filter at all, as this may cause a fire.**

**Zanussi tumble dryers are designed to be vented through to the open air. The appliance should have its own ventilation system which should not be joined with any other ventilation system connected to any other appliance.**

**Pets or children have been known to climb into tumble dryers. Check your drum before use.**

**Under no circumstances should you attempt to repair the machine yourself. Repairs carried out by inexperienced persons may cause injury or more serious malfunctioning. Refer to your local Zanussi Service Centre. Always insist on genuine Zanussi spare parts.**

---

# Contents

Technical data	page 4
Installation	page 6
Getting to know your machine	page 11
The drying programmes	page 12
Using your machine	page 14
Looking after your machine	page 16
Hints for successful drying	page 17
Servicing	page 18
Zanussi guarantee conditions	page 19
5 year cover	page 20

Please note that the specifications of your appliance may differ slightly from those shown in this leaflet.

---

# Technical data

---

## Dimensions:

Height	82.0cm (32.3ins)
Width	59,7cm 23,4ins
Depth	57.0cm (22.4ins)
Weight	45kg (99lb)
Capacity	4.5kg (10lb)

---

## Power absorbed:

Motor	250W
Heating Element	2380W
Total Power Absorbed	2630W (13A)
Voltage	220/240 V
Frequency	50 Hz

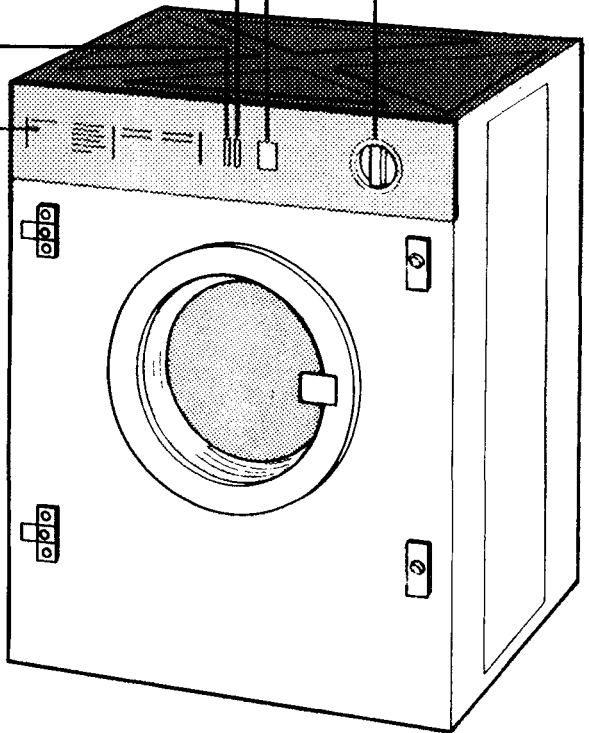
A. Programme selector dial

B. ON/OFF SWITCH

C. «Cycle completion» pilot lamp

D. Pilot light

E. Programme chart



Please note that the external appearance of your appliance may differ slightly from that shown in this instruction book.

# Installation

## Positioning

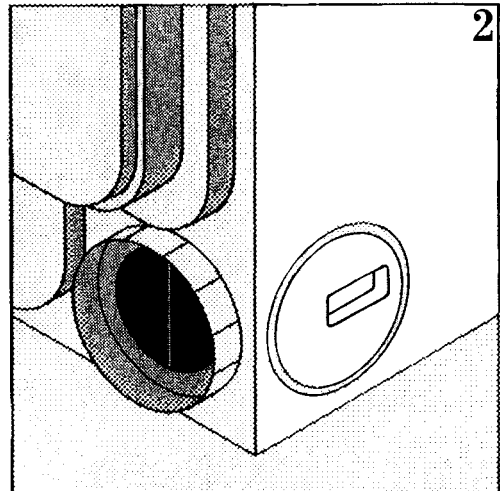
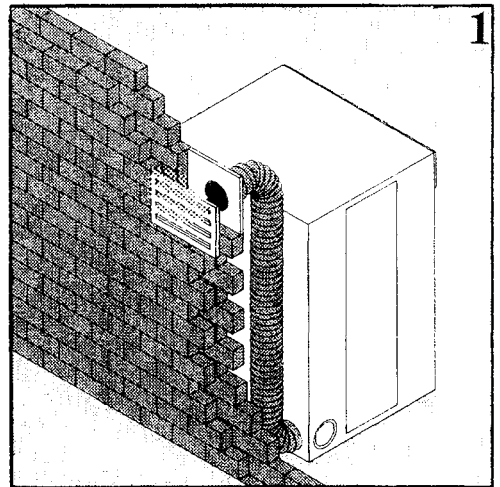
Whilst drying, the tumble dryer will expel a certain amount of warm, very moist air, and this should be removed from the room as quickly as possible to prevent condensation. In an extremely well ventilated room or close to an open window, this may occur naturally. However, in general, it is better to carry the dryer's exhaust outside via a length of 100mm diameter flexible trunking (available as an optional extra from your Zanussi agent); ending either temporarily at an open window, or permanently at a fixed ventilation grille, fitted to an exterior wall or window (Fig. 1).

## Fitting the Trunking

To simplify the installation, there is a choice of vent outlets: one at the back; the other in the left hand side (Fig. 2). Connect the trunking to whichever is the more convenient by pulling the ring nut from the vent, screwing it on to the trunking, and pushing it firmly back into place (Fig. 3).

The unused vent should now be sealed with the special snap cover provided. If you find that, when delivered, the dryer has the cover and ring nut fitted to the wrong vents, merely switch them round before connecting the trunking - the snap in cover just levers out.

Once connected to the dryer, run the trunking to the desired, outlet point, ensuring that the run's overall length is less than 2m, and that it contains no more than two bends. As to the outlet



itself, if you have decided on a fixed wall/window grille, a good local builder's merchant should be able to supply you with the necessary fittings and installation advice.

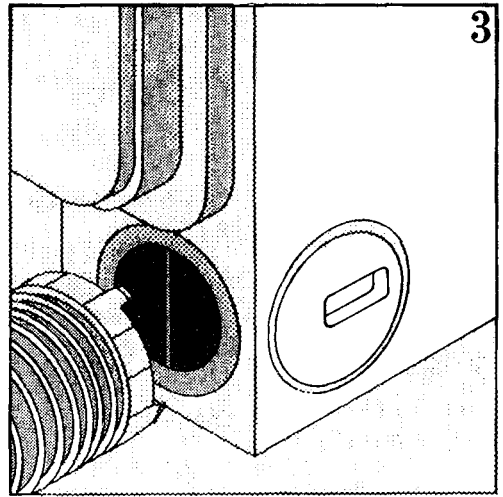
It is important not to connect the trunking to, for example, a cooker hood, or a chimney or flue pipe designed to carry the exhaust from a fuel burning appliance.

Note that to avoid condensation problems, it is essential that the dryer be fitted with flexible trunking to carry its «exhaust» at least beyond the kitchen units; preferable outside the kitchen.

In order to prevent the appliance from overheating, it is important that the steam exhaust is unobstructed.

Therefore, in case of a permanent trunking fitted to an exterior wall or ceiling, it must be ensured an exhaust capacity of at least 150 m<sup>3</sup>/h.

Do not allow the appliance operating at a room temperature higher than + 35°C.



## Door assembly instructions

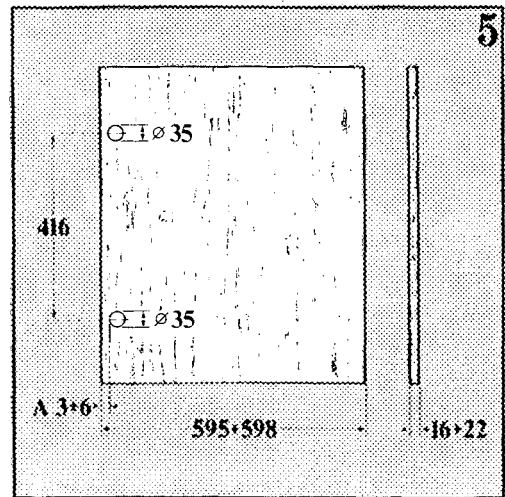
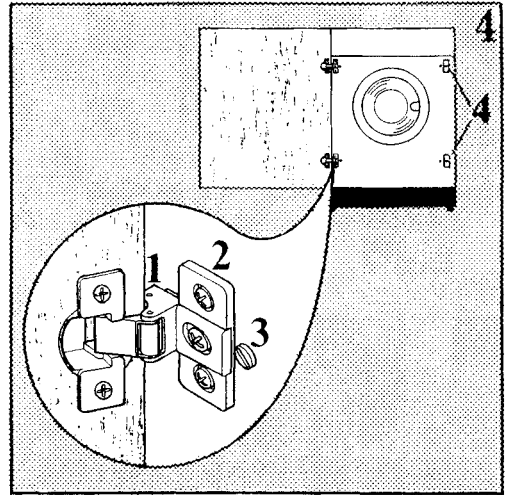
The machine can be fitted with a furniture door with either a left hand or right hand hinge. The machine is supplied with the hinge fastening plates fitted on the left hand side.

To change the door hinging from the left hand side to the right, the hinge fastening plates need to be fitted to the right hand side of the machine, in place of the plastic plugs. The plastic plugs then need to be refitted where the plates were previously located (4 Figure 4).

To fit the door to the appliance, it is necessary to drill two 35mm diameter holes, 14mm deep to take the hinges. Follow the dimensions given in Figure 5 for the positioning of the holes.

Note that the dimension A given is measured from the top of the appliance to the first hinge and should be adjusted if the door is intended to be higher than the top of the appliance.

To align the door perfectly it may be necessary to adjust the height of the plates (2 Figure 4). To do this, loosen the plastic screws (3 Figure 4), realign the door and retighten the screws.





### Instructions for building in under a counter

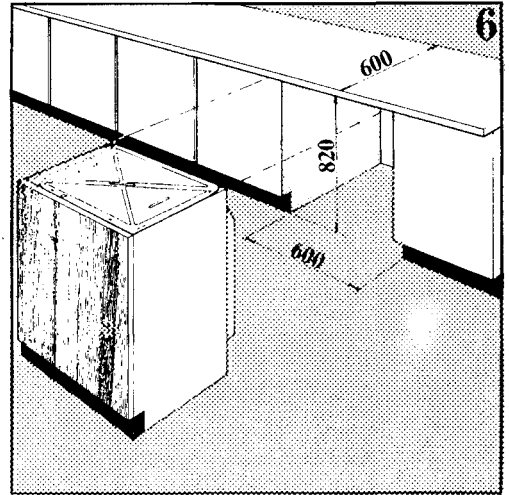
This machine is designed to be built into a kitchen unit thanks to its standard dimensions:

Height	82 cms.
Width	60 cms.
Depth	57 cms.

The machine should be inserted into a recess having the dimensions shown in fig. 6; making sure that the drain hose is not bent or kinked in such a way as to obstruct the normal air flow.

As for electricity connection, please follow the rules given in this operator's handbook.

Furthermore, we strongly recommend that the electricity supply cut-off controls remain easily accessible.



### Levelling

To keep vibration and noise to a minimum when the dryer is in use, it should be placed on a firm, level surface. Once in its permanent operating position, check that the dryer is absolutely level with the aid of a spirit level. If it is not, raise or lower the two adjustable feet at the front of the machine until it is.

# The Electrical Connections

## WARNING

THIS APPLIANCE  
MUST BE EARTHED.

**The manufacturer declines any liability should this safety measure not be observed.**

If the plug that is fitted to your appliance is not suitable for your socket outlet, it must be cut off and the appropriate plug fitted.

The cut off plug should be disposed of to prevent the hazard of electric shocks in case it should be plugged into a 13 Amp socket in another part of your home.

## Important

The wires in this mains lead are coloured in accordance with the following code:

GREEN AND YELLOW - EARTH  
BLUE - NEUTRAL  
BROWN - LIVE

If you fit your own plug, the colours of the wires in the mains lead of your appliance may not correspond with the markings identifying the terminals in your plug, this is what you have to do:

Connect the green and yellow (earth) wire to the terminal in the plug which is marked with the letter «E» or the earth  $\perp$  symbol or coloured green, or green and yellow.

Connect the blue (neutral) wire to the terminal in the plug which is marked with the letter «N» or coloured black.

Connect the brown (live) wire to the terminal which is marked with the letter «L» or coloured red.

The plug moulded on to the cord incorporates a fuse. For replacement, use a 13 Amp BS 1362 fuse. Only ASTA approved fuses should be used.

The fuse cover/carrier must be replaced in the event of changing fuse.

The right fuse cover/carrier colour is the one shown by the coloured insert at the base of the plug.


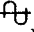
The plug must not be used if the fuse cover/carrier is lost. A replacement cover/carrier must be obtained from Zanussi Service Agents whose addresses are listed on the attached «Zanussi Service Agents Nationwide».

**This appliance complies with E.E.C. directive no. 87/308 of 2.6.87 relative to radio interference suppression.**

In addition, avoid connecting the dryer to the same socket as your washing machine (or any other appliance) by means of an adaptor. Have an extra socket installed if necessary by a qualified electrician.

# Getting to know your machine

## The Controls and How to Use Them

- A. Programme selector dial
- B. On/off switch ①
- C. Automatic cycle light incorporating sound signal device 
- D. Pilot light 
- E. Programme chart

### A. Programme Selector Dial

The selector dial is marked with letters corresponding with those on the chart (page 13) or with times in minutes. To set the machine to the selected programme or time, turn the dial clockwise until the letter or time you want coincides exactly with the pointer. Never attempt to turn the dial in an anti-clockwise direction.

### B. On/Off Switch

The switch is pressed in to the «on» position to start the selected programme and must be returned to the «off» position at the end of the programme, when the machine stops and the selector dial is at stop. You can then open the door.

### C. Pilot light

The pilot light comes on when the machine is set to start (or the switch is pressed on). It will go out when the programme is completed (or the switch is pressed off).

### D. «Cycle completion» pilot lamp

This comes on at the end of the automatic programmes.


### Sound Signal Device


The sound signal buzzes when the automatic cycle light comes on at the end of the programmes to warn you that the programme is at an end (see page 15) and will buzz intermittently for a number of minutes or until the off switch is pressed.

### E. Programme Chart


This will help you to select the correct programme or time for drying. (See chart page 13).


### Meaning of the symbols


 Cycle completion

 Pilot light

① On/Off switch

 Cooling phase

 Cotton & linen fabrics

 Synthetic fabrics

---

# The drying programmes

The machine can be set to dry on an automatic, electronically controlled programme or a time controlled one.

## The Electronically Controlled Programmes

These operate by means of an electronic control circuit with dampness sensors. All you have to do is to set the selector dial for the programme required (see chart, page 13) and the laundry will be dried to the selected degree of dampness whether you put a full or part load of clothes into the drum. The following are the degrees of final drying which can be obtained with electronic control:

### Cupboard dry

suitable for items which you want to put away without ironing, for example towels and non-iron fabrics.

### Ironing dry

suitable for items which need hand ironing or light fabrics which will be machine ironed.

### Machine Ironing dry

dries to the right degree of dampness for machine ironing.

## Time Controlled Programmes

The ZI 935 has a drying time of up to 60 minutes. This can be extended when the original programme is completed, by re-setting the control knob for a further period of drying. The door of the machine can be opened at any time during the programme if you want to feel the dryness of the fabrics. It is a mistake to allow the fabric to become too dry as this gives it a rough feel. It is better to select too short a time and then set the dial for a further period if necessary.

Remember that during the last 10 minutes of the operation, the heat is cut off in order to carry out a fabric cooling phase, which prevents any creasing or crumpling of the fabrics.

# Drying programmes

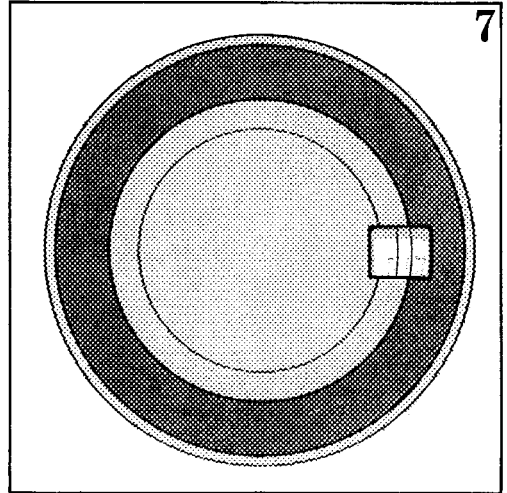
Type of laundry	Degree of drying required	Quantity	Control knob setting
<b>COTTON &amp; LINEN</b> (Underwear, vests, towels, tablecloths, white/coloured bed sheets)	Extra dry	4.5kg (10lb) Max	<b>A</b>
	Cupboard dry	4.5kg (10lb) Max	<b>B</b>
	Slightly damp	4.5kg (10lb) Max	<b>F</b>
	Hand iron dry	4.5kg (10lb) Max	<b>G</b>
	Machine iron dry	4.5kg (10lb) Max	<b>H</b>
<b>SYNTHETICS</b>	Cupboard dry	1.75kg (4lb) Max	<b>D</b>
<b>DELICATE SYNTHETICS</b>	Cupboard dry	1.75kg (4lb) Max	<b>C</b>
<b>TIME CONTROLLED PROGRAMMES</b>	Cotton & linen		Up to 60 minutes
	Synthetics		Up to 30 minutes

# Using your machine

## Sorting the Load

The maximum load you can dry in your tumble dryer is 4.5kg (10lb) of cotton, linen and other strong fabrics, 1.75kg (4lb) of synthetics and 2.25kg (5lb) of absorbant fabrics such as towelling.

If you are using a washing machine, all you have to do is transfer the clothes, after the spin cycle from the washing machine to the tumble dryer. Otherwise sort the laundry according to fabric. It is essential for satisfactory and economic drying, that the washing is spin-dried before putting it into the machine. If it is sopping wet, it will take a very long time to dry and a lot of steam will be discharged.



## Loading the Laundry

Open the drum loading door by pulling the catch forwards (Fig. 7).

Before using the appliance for the first time, clean the inside of the drum with a piece of cloth soaked in a little white spirit or methylated spirits.

Load the wet spun-dried clothes, alternating large items such as sheets and tablecloths with smaller items like shirts, hand towels etc. Make sure that all pockets are empty, zips closed and belts etc tied. Close the door firmly until it clicks.

### **The following fabrics should not be loaded into the dryer**

Clothes which have been dry cleaned with chemical solvents.

Woollens or woollen mixtures loosely knitted and likely to shrink with heat.

Delicate fabrics like pure silk, and synthetic curtains or fibreglass items and foam rubber items.

Only laundry washed in water should be dried with the tumble dryer.

### **To start the machine**

Check that:

the main switch is on  
the door is properly closed  
the plastic venting hose, if you have one, is in position.

Select the programme by turning the selector dial clockwise to the required time, or letter (see chart page 13).

Press the «on» switch. The operating pilot light will then come on and the machine will start.

The machine will automatically carry out the chosen drying cycle or complete the chosen time. Then it will stop and the pilot light will go out. Before taking the clothes out of the machine press the «off» switch.

### **Electronic Programmes**

At the end of the programme the tumbler will continue to tumble the clothes at regular intervals for a number of minutes to prevent creasing. When this stage is reached the automatic cycle light will come on and the buzzer will start and continue for a number of minutes. During this time the clothes should be removed from the drum.

The programme being carried out can be interrupted at any time by opening the loading door, or pressing the «off» switch. To start the machine again, close the door (press the «on» switch) and the machine will carry out the rest of the programme from the point where it was interrupted.

### **Important**

It may happen that, under particular circumstances, when drying small quantities of laundry, the electronic control is switched off in advance, thus leaving the laundry damp.

In this case, a time-controlled programme should be selected.

# Looking after your machine

## Important

Make sure that the machine is unplugged before undertaking any kind of maintenance.

## Cleaning the fluff filter

This needs cleaning after each drying cycle. It is incorporated in the lower rim of the porthole door (Fig. 8) and traps the fluff which collects during a drying cycle. Remove the filter by lifting it out and wipe it with a damp cloth, collecting the fluff carefully.

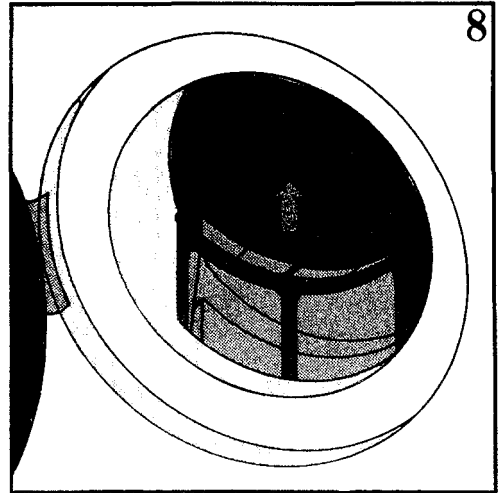
Do not be alarmed by the amount of fluff. It is not due to excessive wear caused by the dryer. All fabrics lose fluff when drying but it goes un-noticed in the air. In a tumble dryer it simply collects in the filter.

## General care and cleaning

Dust and fluff will tend to deposit in the door openings and filter seat, this should be removed from time to time with the crevice nozzle of a vacuum cleaner.

From time to time, clean the plated, polished and plastic parts and the glass porthole with a soft damp cloth. Never use abrasive powders.

Wipe over the exterior of the cabinet with lukewarm water and a mild, liquid cleaner, rinse and dry thoroughly. From time to time, apply a little wax furniture cream with a soft cloth.





---

# Hints for successful drying

Use fabric conditioner when washing towels or woollens and they will dry with a softer finish. Remove clothes from the machine as soon as drying is complete or when the buzzer goes on.

This will prevent them from creasing.

Never select over-long drying times if you are using the time control cycles or fabrics may come out feeling rough, or worse, shrunk.

Take light articles out when they are still slightly damp and hang them on a clothes line for a short time.

Items which need ironing should be dried to «ironing dry». If you cannot iron them immediately fold and roll them up to preserve a uniform dryness.

If you are hand washing nappies, rinse them thoroughly in clear water, spin them as dry as possible and then put them in the dryer to dry off.

Always remember to empty pockets before washing clothes and then tumble drying them. (This is important as loose coins lodged between the tub and the drum can cause excessive damage). Avoid drying dark clothes with light coloured fluffy items such as towels as they could attract the fluff.

# Servicing

If, having followed these instructions carefully, your machine fails to work properly, contact your local Zanussi Service Network. Before you do that though, it is worth making a few simple checks yourself.

## **If the machine won't start**

Make sure that the door of the machine is firmly shut.

Make sure that you have set the selector dial properly or pressed the «on» switch.

Make sure that the appliance is properly plugged in and that the socket switch (if any) is in the «on» position.

Check that there is power at the socket by plugging in an appliance you know to be working - a small lamp, for example. If this too fails to work, check the main circuit fuses in your home's consumer unit or the main fuse box.

## **If the laundry will not dry despite the machine having been set at max**

Check that the drum is not overloaded.

Was the laundry adequately spun/dried before you put it in the drum?

Check that the fluff filter is not clogged.

Make sure that the room where the dryer is installed is adequately ventilated.

**IN-GUARANTEE CUSTOMERS  
SHOULD ENSURE THAT THE  
ABOVE CHECKS HAVE BEEN  
MADE AS THE ENGINEER WILL  
MAKE A CHARGE IF THE FAULT  
IS NOT A MECHANICAL OR  
ELECTRICAL BREAKDOWN.**

**\* Please note that proof of purchase is required for any in-guarantee service calls.**

---

# Peace of Mind for Twelve Months

## ZANUSSI STANDARD GUARANTEE CONDITIONS

This guarantee is in addition to your statutory and other legal rights which will not be excluded or in any way diminished by the return of the guarantee card.

We, Zanussi Ltd undertake that if, within twelve months of the date of the purchase, this ZANUSSI appliance or any part thereof is proved to be defective by reason only of faulty workmanship or materials, we will, at our option, repair or replace the same **FREE OF ANY CHARGE** for labour, materials or carriage on condition that:

The appliance has been correctly installed and used only on the electricity supply stated on the rating plate.

The appliance has been used for normal domestic purposes only, and in accordance with the manufacturer's operating and maintenance instructions.

The appliance has not been serviced, maintained, repaired, taken apart or tampered with by any person not authorised by us.

The appliance is still in the possession of the original purchaser.

All service work under this guarantee must be undertaken by a Zanussi Network Service Centre.

Any appliance or defective part replaced shall become our property.

### Exclusions

This guarantee does not cover:

Damage or calls resulting from transportation, improper use or neglect, the replacement of any light bulbs or removable parts of glass or plastic.

Costs incurred for calls to put right machines improperly installed or calls to machines outside the UK and the Republic of Ireland.

Appliances found to be in use within a commercial environment, plus those which are the subject of rental agreements.

---

# or Five Years

## ZANUSSI 5 YEAR COVER CONDITIONS

For a once only payment you can extend your Standard Guarantee to 5 years. All the conditions and exclusions of the Standard Guarantee apply.

### Notes

1. Products supplied as «seconds» refurbished, damaged or shop-soiled are not eligible for Zanussi 5 Year Cover.
2. The issue of a cover does NOT by virtue of our having done so, nullify the exclusions.

3. The Engineer will need to check the details of your Cover card and may make a charge for his services if it is not presented to him at the time of his call.

4. The date of purchase, or the date of initial payment (deposit) of the appliance will be deemed the date of commencement of cover.

5. Covers issued are not refundable or transferable.

---

## Guarantee record

Appliance purchased from \_\_\_\_\_ on \_\_\_\_\_

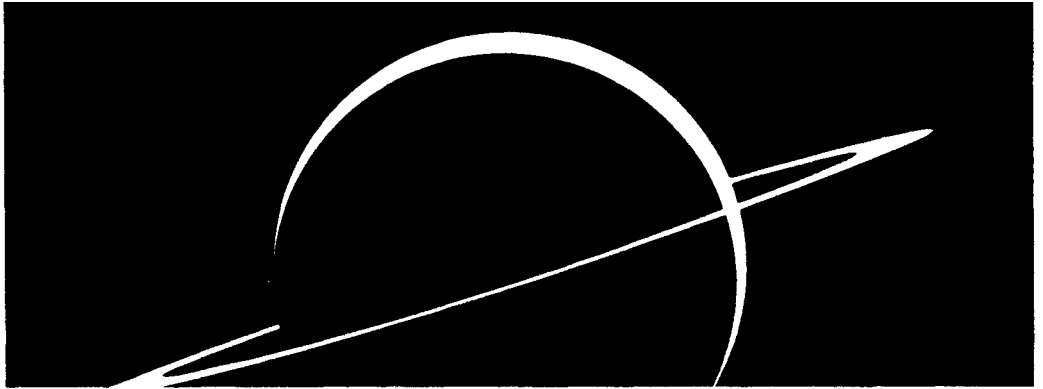
Guarantee card no \_\_\_\_\_ Model no \_\_\_\_\_

Serial no \_\_\_\_\_ (These details may be taken from your  
Guarantee Record Card)









# ZANUSSI

The appliance of science

Zanussi Ltd., Zanussi House, Newbury.

The information in this manual is correct at time of going to press.

Zanussi reserve the right to alter specifications without notice.





## Free Manuals Download Website

<http://myh66.com>

<http://usermanuals.us>

<http://www.somanuals.com>

<http://www.4manuals.cc>

<http://www.manual-lib.com>

<http://www.404manual.com>

<http://www.luxmanual.com>

<http://aubethermostatmanual.com>

Golf course search by state

<http://golfingnear.com>

Email search by domain

<http://emailbydomain.com>

Auto manuals search

<http://auto.somanuals.com>

TV manuals search

<http://tv.somanuals.com>