

RANGE COMPOSITION

The Zanussi Dishwashing range is produced for customers with the highest conceivable demands for good efficiency, economy and ergonomics for dishwashing operation. The product range comprises glasswashers, undercounter dishwashers, hood type dishwashers, rack type dishwashers and pot and pan washers. The rack type dishwasher range is designed to be easily connected with the equipment included in the Zanussi Handling System range, to create a functional and ergonomic dishwashing area. The rack type dishwasher RTCS140 has a capacity up to 140 racks per hour with 2 speeds, variable on installation. The range consists of 4 electrically heated models (steam on request), available with or without Energy Saving Device (ESD).



COMPACT RTCS 140

RACK TYPE DISHWASHERS **ZANUSSI** PROFESSIONAL

FUNCTIONAL AND CONSTRUCTION FEATURES

- ◆ Solid 3mm square stainless steel

sub-frame.

- ◆ All rear positioned water tubes in stainless steel.
- ◆ Only one cable for electrical connection.
- ◆ Service from the front and from the side.
- ◆ Pre-arrangements for automatic detergent dispenser, energy management device and

HACCP implementation (both basic as well as integrated system).

TECHNICAL DATA CHARACTERISTICS	MODELS			
	RTCS140ERA 534316	RTCS140ELA 534317	RTCS140ERB 534318	RTCS140ELB 534319
Model	Electronic - A	Electronic - A	Electronic - B	Electronic - B
Power supply	Electric	Electric	Electric	Electric
Feeding direction	from RH to LH	from LH to RH	from RH to LH	from LH to RH
Energy Saving Device incl. cond. unit	●	●		
Water supply				
pressure min., max. - bar	3,7	3,7	3,7	3,7
hot water inlet °C	50	50	50	50
cold water inlet °C	15	15		
N° of speeds	2	2	2	2
Capacity dishes/h 1st/2nd speed	2520, 1620	2520, 1620	2520, 1620	2520, 1620
Capacity baskets/h 1st/2nd speed	140, 90	140, 90	140, 90	140, 90
Air emission - m³/h	180	180		
Insulation	●	●	●	●
External dimensions - mm				
width	1125	1125	1125	1125
depth	884	884	884	884
height/with open door	1771, 2119	1771, 2119	1771, 2119	1771, 2119
1st wash				
temperature - °C	55-65	55-65	55-65	55-65
tank capacity - lt.	100	100	100	100
pump power - kW	1.5	1.5	1.5	1.5
Rinsing				
temperature - °C	80-90	80-90	80-90	80-90
boiler capacity - lt.	12	12	12	12
boiler power - kW	12	12	12	12
water flow - liters/hr	240	240	240	240
Total installed power - kW	26	26	25.9	25.9
Net weight - kg.	550	550	508	508
Supply voltage	400 V, 3N, 50	400 V, 3N, 50	400 V, 3N, 50	400 V, 3N, 50

- ◆ In the wash zone all the soil is removed by the combination of the mechanical washing action by means of a powerful 450 litres / minute self draining wash pump, the thermal action of the heating elements that guarantee a constant water temperature of between 55° and 65°C and appropriate detergents. Wash tank is pressed.
- ◆ Rinse zone: clean water is used to eliminate any trace of detergent from the wash-ware.
- ◆ As optional extra the RTCS140 can be equipped with a drying zone for fast and efficient drying.
- ◆ Tanks are pressed with completely rounded corners and sloping base to facilitate cleaning.
- ◆ Smooth surfaces.

- ◆ 304 AISI stainless steel front and side panels, strainers and wash and rinse arms.
- ◆ Wash arms and double tank filter (flat and deep box) easy to remove.
- ◆ Height adjustable stainless steel feet.
- ◆ All models finished in top quality materials with double skinned construction to aid durability and reduce noise.
- ◆ Self-draining wash pumps provide maximum hygiene.
- ◆ Easy access to the energy saving condenser unit.
- ◆ Large balanced inspection door for easy access to wash area.
- ◆ Self-cleaning cycle.
- ◆ Automatic start/stop function.

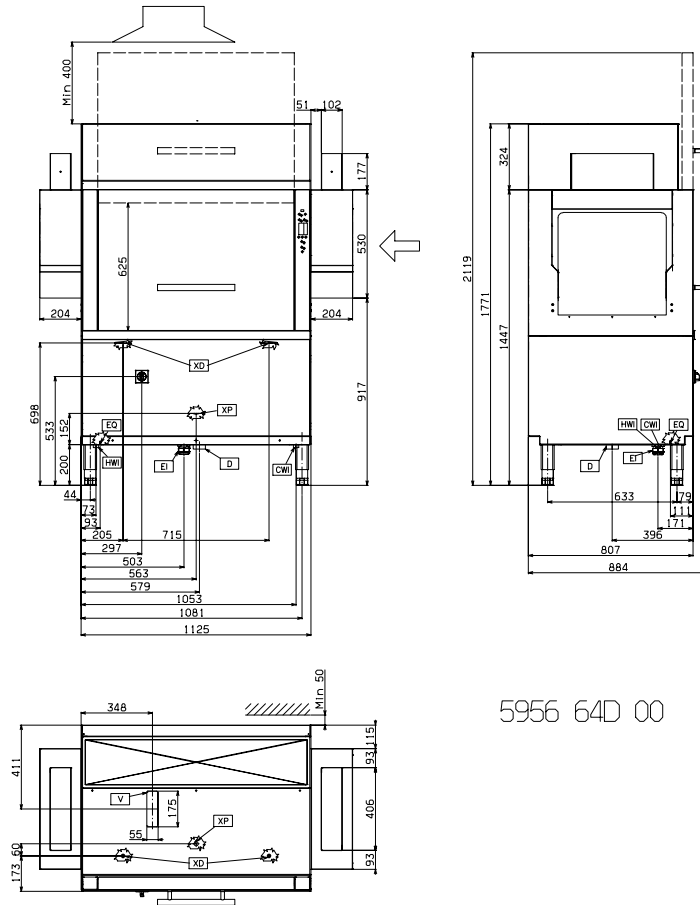
- ◆ Simple electric control panel.
- ◆ Counter balanced door with safety switch and easy to grip handle.
- ◆ Built-in rinse water heater to increase the temperature of the final rinse water.
- ◆ Electronic control panel with autodiagnostic check control.
- ◆ 35mm thickness foam injection insulated doors to reduce noise and reduce heat dispersion.
- ◆ Available with version equipped with Energy Saving Device (ESD) to pre-heat the incoming cold water and to save up to 12kW of energy. ESD incorporates a condenser unit to decrease temperature and humidity of the outlet hot steam.
- ◆ 98% recyclable by weight.
- ◆ CFC free packaging.
- ◆ Low noise level.
- ◆ Developed and produced in ISO 9001 and ISO 14001 certified factory.

* For models without ESD, the installation is recommended below a dishwashing hood to convey steam.

OPTIONAL ACCESSORIES				
ACCESSORIES	MODELS			
	RTCS140ERA 534316	RTCS140ELA 534317	RTCS140ERB 534318	RTCS140ELB 534319
12 S/S PLUGS FOR WASH.ARMS-MODUL/COMP.RT	864239	864239	864239	864239
BASKET FOR 5 HALF INSULATED TRAYS-RED	867005	867005	867005	867005
DRAIN KIT FOR MODULAR+COMPACT RACK TYPE	864150	864150	864150	864150
EL. DRYING TUNNEL-COMPACT RT-L>R-600 MM		864519		864519
EL. DRYING TUNNEL-COMPACT RT-L>R-900 MM		864517		864517
EL. DRYING TUNNEL-COMPACT RT-R>L-600 MM	864518		864518	
EL. DRYING TUNNEL-COMPACT RT-R>L-900 MM	864516		864516	
EL. DRYING TUNNEL-CORNER-L>R-COMPACT RT		864521		864521
EL. DRYING TUNNEL-CORNER-R>L-COMPACT RT	864520		864520	
EL.HOT AIR BLOWER-LEFT-600MM-COMPACT RT		864507		864507
EL.HOT AIR BLOWER-RIGHT-600MM-COMPACT RT	864506		864506	
KIT 6 BASKETS FOR 1-TANK RACK TYPE DW	867050	867050	867050	867050
KIT 9 BASKETS FOR 1-TANK RACK TYPE DW	867051	867051	867051	867051
KIT AIR GAP FOR COMPACT RACK TYPE	864309	864309	864309	864309
KIT SILASTIC CURTAINS FOR RACK TYPE DW	864245	864245	864245	864245



www.zanussiprofessional.com



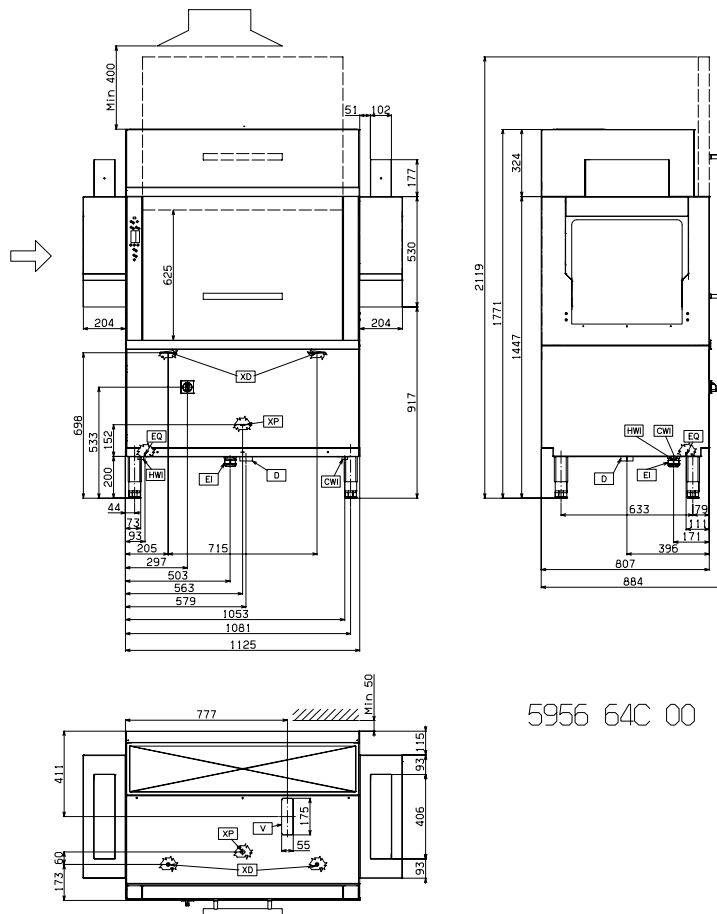
5956 64D 00

LEGEND

	RTCS140ERA
	534316
CWI - Cold water inlet	G 3/4"
D - Water drain	G 1 1/2"
EI - Electrical connection	400 V, 3N, 50
EQ - Equipotential screw	●
HWI - Hot water inlet	G 3/4"
V - Condensation outlet	●
XP - Connection for detergent dispenser	●
XP - Connection for detergent probe	●



www.zanussiprofessional.com



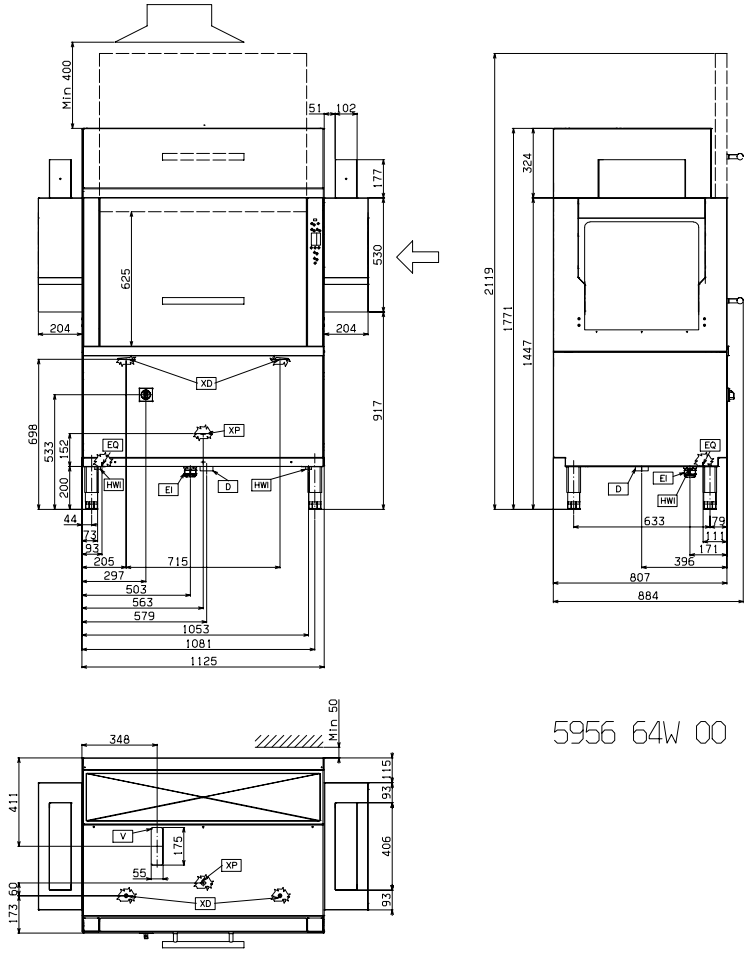
5956 64C 00

LEGEND

	RTCS140ELA
	534317
CWI - Cold water inlet	G 3/4"
D - Water drain	G 1 1/2"
EI - Electrical connection	400 V, 3N, 50
EQ - Equipotential screw	●
HWI - Hot water inlet	G 3/4"
V - Condensation outlet	●
XP - Connection for detergent dispenser	●
XP - Connection for detergent probe	●



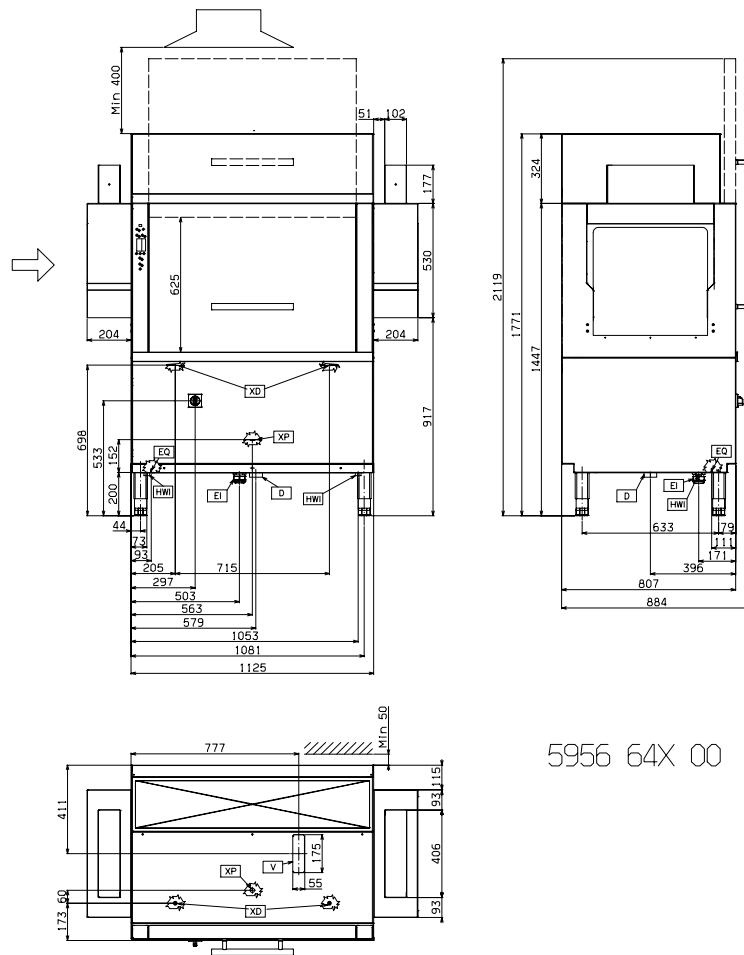
www.zanussiprofessional.com



5956 64W 00

LEGEND	
	RTCS140ERB 534318
D - Water drain	G 1 1/2"
EI - Electrical connection	400 V, 3N, 50
EQ - Equipotential screw	●
HWI - Hot water inlet	G 3/4"
XP - Connection for detergent dispenser	●
XP - Connection for detergent probe	●





5956 64X 00

LEGEND

	RTCS140ELB 534319
D - Water drain	G 1 1/2"
EI - Electrical connection	400 V, 3N, 50
EQ - Equipotential screw	●
HWI - Hot water inlet	G 3/4"
XP - Connection for detergent dispenser	●
XP - Connection for detergent probe	●



www.zanussiprofessional.com

Free Manuals Download Website

<http://myh66.com>

<http://usermanuals.us>

<http://www.somanuals.com>

<http://www.4manuals.cc>

<http://www.manual-lib.com>

<http://www.404manual.com>

<http://www.luxmanual.com>

<http://aubethermostatmanual.com>

Golf course search by state

<http://golfingnear.com>

Email search by domain

<http://emailbydomain.com>

Auto manuals search

<http://auto.somanuals.com>

TV manuals search

<http://tv.somanuals.com>