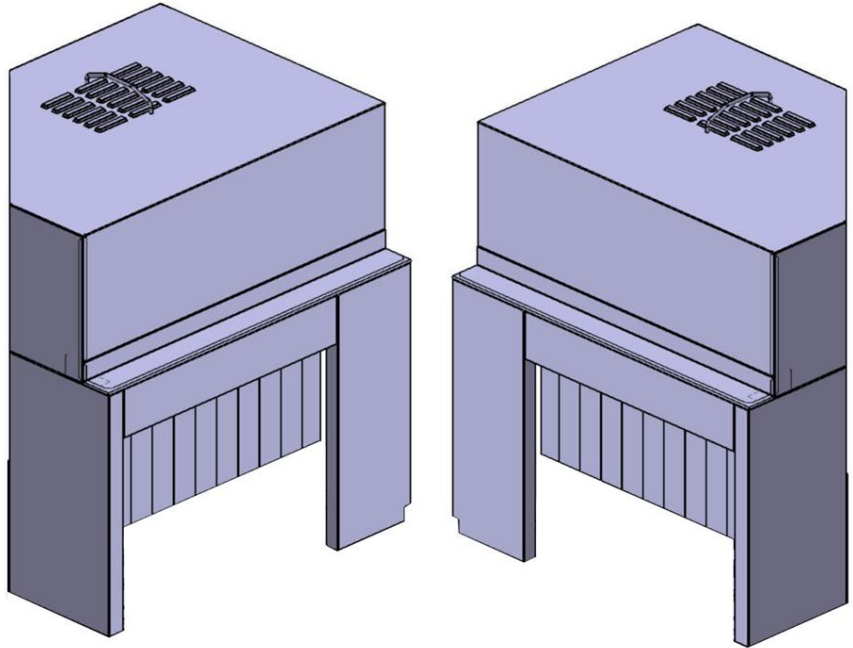


## RANGE COMPOSITION

The Zanussi Dishwashing range is produced for customers with the highest conceivable demands in efficient, economic and ergonomic dishwashing operations. The product range is comprised of glasswashers, undercounter dishwashers, hood type dishwashers, rack type dishwashers and pot and pan washers. The Corner Dryers complete the rack type dishwashing range.



864512

864513

# CORNER DRYER FOR RTM

## RACK TYPE DISHWASHERS **ZANUSSI** PROFESSIONAL

### FUNCTIONAL AND CONSTRUCTION FEATURES

- ◆ It is designed to be placed on a 90° or 180° dishwashing driven curve, immediately after a modular rack type dishwasher. The dryer must always be ordered with a 90° or 180° dishwashing driven curve.
- ◆ The feeding system from the dishwasher and the curve will automatically move the racks through the dryer.
- ◆ The drying zone removes every trace of water from the

crockery, through a high powered fan that extracts dry air from outside with minimum temperature loss and steam escape.

- ◆ Electronically controlled to optimize the drying results.
- ◆ The hygienic design provides easy cleaning.
- ◆ The dryer is constructed in 304 AISI stainless steel.
- ◆ Developed and produced in an ISO 9001 and ISO 14001 certified factory.
- ◆ CFC free packaging.
- ◆ For further specifications and accessories, please see

overleaf.

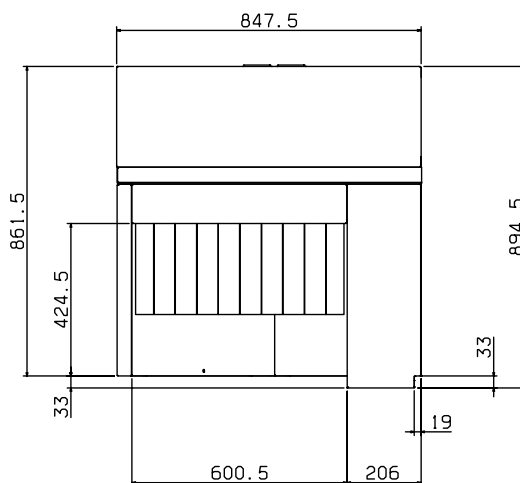
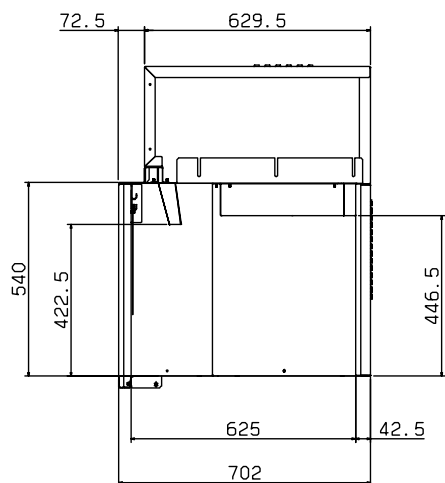
#### TECHNICAL DATA

CHARACTERISTICS	MODELS	
	ADTERC90MD 864512	ADTELC90MD 864513
Power supply	Electric	Electric
External dimensions - mm		
width	850	850
depth	706	706
height	895	895
Power - kW		
installed-electric	8.5	8.5
Net weight - kg.	70	70
Supply voltage	400 V, 3N, 50/60	400 V, 3N, 50/60

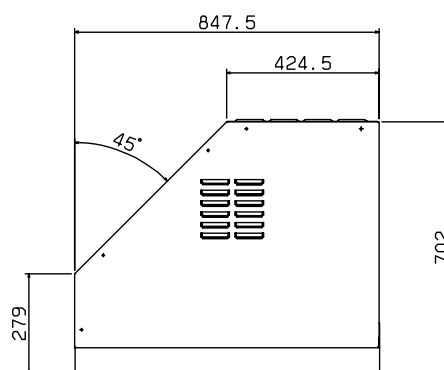
**RACK TYPE DISHWASHERS  
CORNER DRYER FOR RTM**



[www.zanussiprofessional.com](http://www.zanussiprofessional.com)



595659700

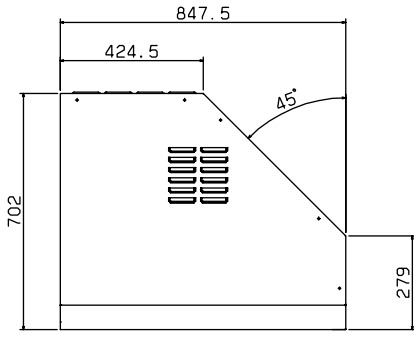
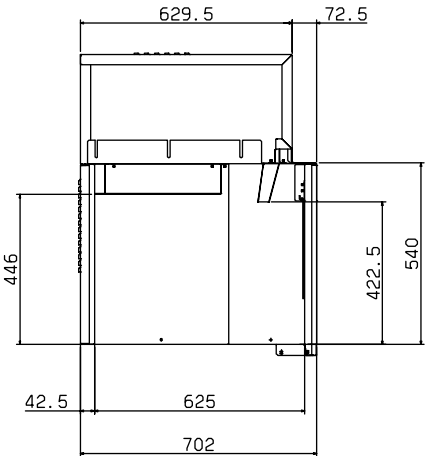
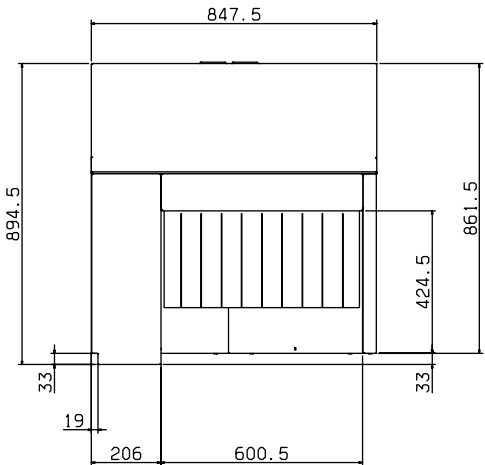


**LEGEND**

	<b>ADTERC90MD</b> <b>864512</b>
EI - Electrical connection	400 V, 3N, 50/60



www.zanussiprofessional.com



595659800

LEGEND	
	ADTELC90MD 864513
EI - Electrical connection	400 V, 3N, 50/60



## Free Manuals Download Website

<http://myh66.com>

<http://usermanuals.us>

<http://www.somanuals.com>

<http://www.4manuals.cc>

<http://www.manual-lib.com>

<http://www.404manual.com>

<http://www.luxmanual.com>

<http://aubethermostatmanual.com>

Golf course search by state

<http://golfingnear.com>

Email search by domain

<http://emailbydomain.com>

Auto manuals search

<http://auto.somanuals.com>

TV manuals search

<http://tv.somanuals.com>