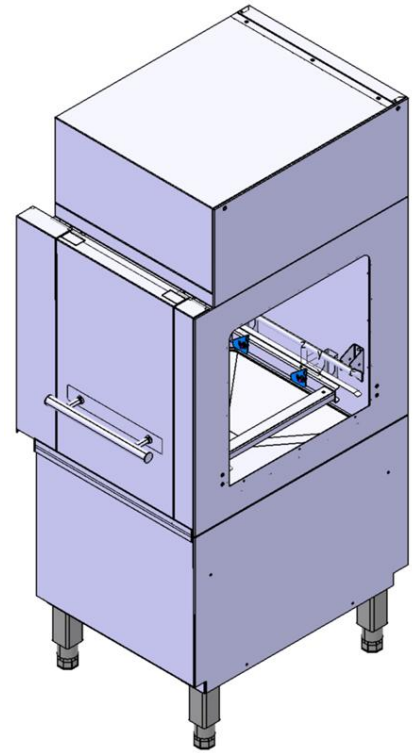


RANGE COMPOSITION

The Zanussi Dishwashing range is produced for customers with the highest conceivable demands in efficiency, economy and ergonomics dishwashing operation. The product range comprises glasswashers, undercounter dishwashers, hood type dishwashers, rack type dishwashers and pot and pan washers. The Air-Drying Tunnel shown on this sheet complete the rack type dishwashing range.



AIR DRYING TUNNEL for RTCS

RACK TYPE DISHWASHERS **ZANUSSI** PROFESSIONAL

FUNCTIONAL AND CONSTRUCTION FEATURES

- ◆ It is designed to be placed on any Zanussi compact rack type dishwasher (RTCS).
- ◆ The air drying tunnel is available in two versions: 900mm for machines faster than 165 rack/hour and 600mm suited for machines slower than 165 rack/hour.
- ◆ The feeding system from the dishwasher and the curve will automatically move the racks through the Air-Drying Tunnel.
- ◆ The drying zone removes every trace of water from the crockery, through a high powered fan that extracts dry air from outside, providing dry plates at a low temperature.
- ◆ The automatic start/stop function switches off the machine when not in use to save energy.
- ◆ Electronically controlled to optimized the drying results.

- ◆ The hygienic design provides easy cleaning through a door that gives full accessibility to the interior of the tunnel.
- ◆ 304 AISI stainless front, side and top panels.
- ◆ Developed and produced in ISO 9001 and ISO 14001 certified factory.
- ◆ CFC free packaging.
- ◆ IPX5 water protection.

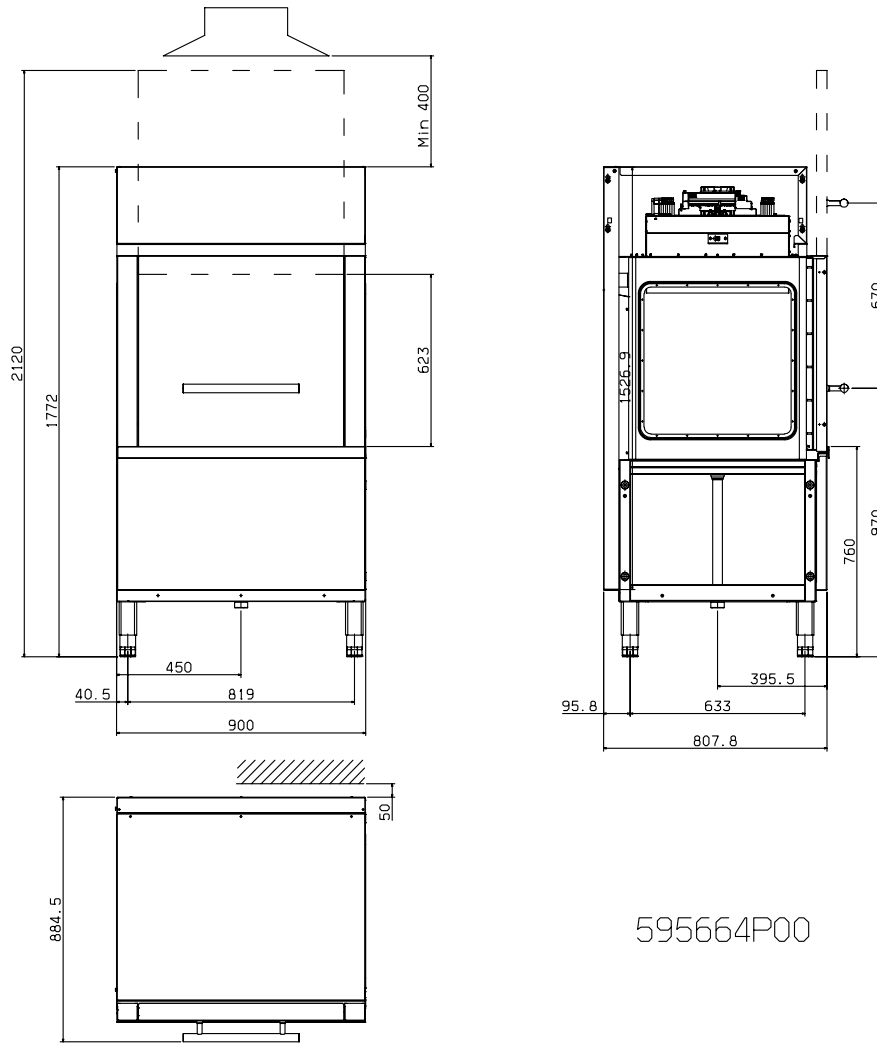
For Compact Rack Types ordered prior to February 2008, please request the drying tunnel as special code.

TECHNICAL DATA				
CHARACTERISTICS	MODELS			
	ADTRTER9 864516	ADTRTEL9 864517	ADTRTER6 864518	ADTRTEL6 864519
Feeding direction	R>L	L>R	R>L	L>R
External dimensions - mm				
width	900	900	600	600
depth	884	884	884	884
height	1922	1922	1771	1771
Power - kW				
electric	8.5	8.5	4.25	4.25
Temperature - °C	50-60	50-60	50-60	50-60
air flow - m ³ /h	1000	1000	600	600

RACK TYPE DISHWASHERS
AIR DRYING TUNNEL for RTCS



www.zanussiprofessional.com



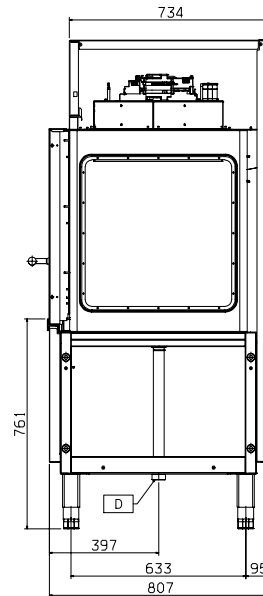
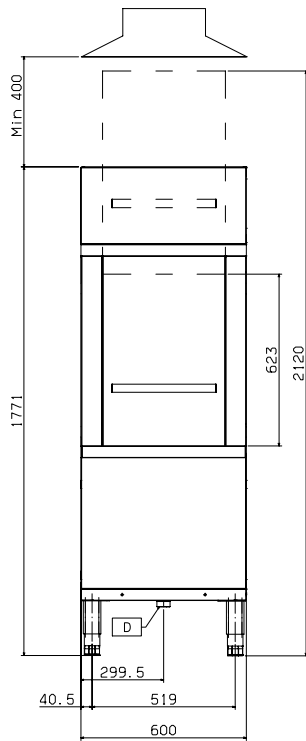
595664P00

LEGEND

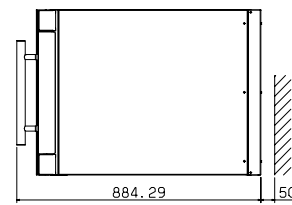
	ADTRTER9 864516	ADTRTEL9 864517
D - Water drain	G 1 1/2"	G 1 1/2"
EI - Electrical connection	400 V, 3N, 50/60	400 V, 3N, 50/60



www.zanussiprofessional.com



595664000



LEGEND

	ADTRTER6 864518	ADTRTEL6 864519
D - Water drain	G 1 1/2"	G 1 1/2"
EI - Electrical connection	400 V, 3N, 50/60	400 V, 3N, 50/60



www.zanussiprofessional.com

Free Manuals Download Website

<http://myh66.com>

<http://usermanuals.us>

<http://www.somanuals.com>

<http://www.4manuals.cc>

<http://www.manual-lib.com>

<http://www.404manual.com>

<http://www.luxmanual.com>

<http://aubethermostatmanual.com>

Golf course search by state

<http://golfingnear.com>

Email search by domain

<http://emailbydomain.com>

Auto manuals search

<http://auto.somanuals.com>

TV manuals search

<http://tv.somanuals.com>